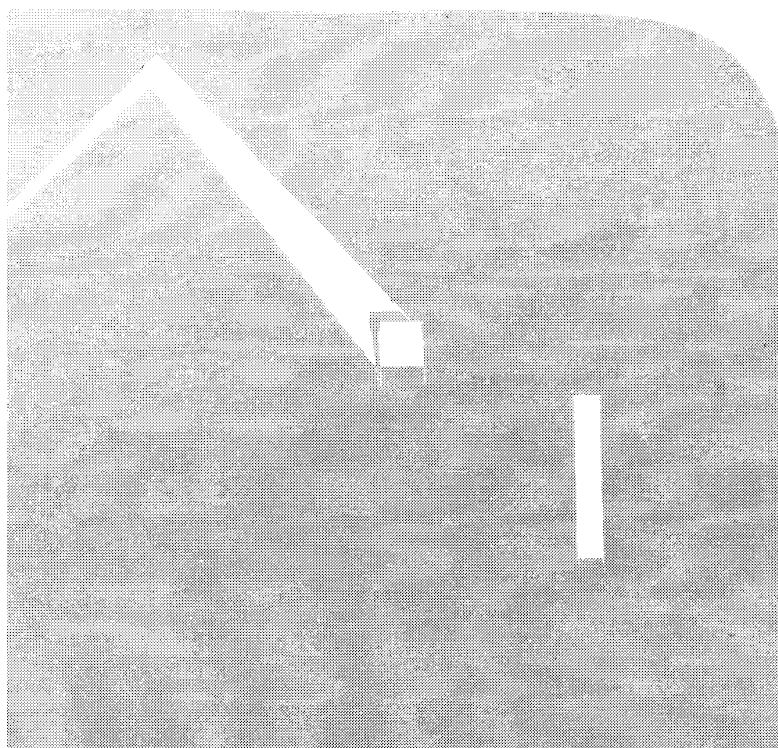
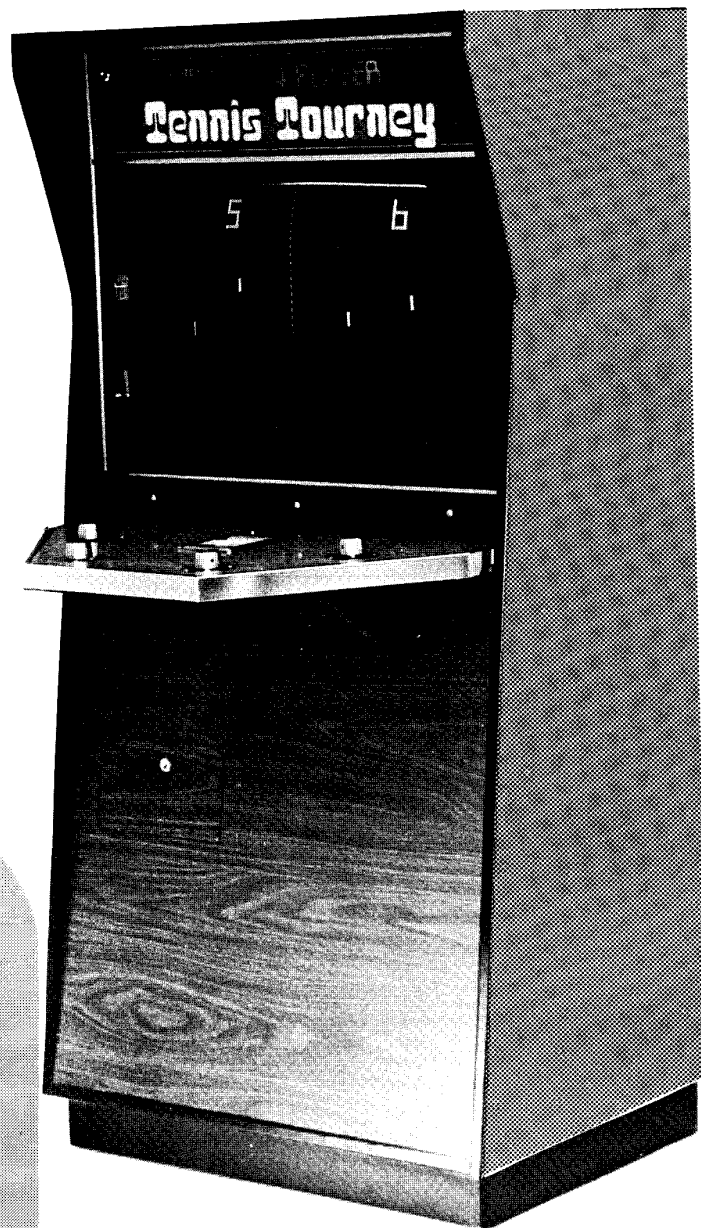
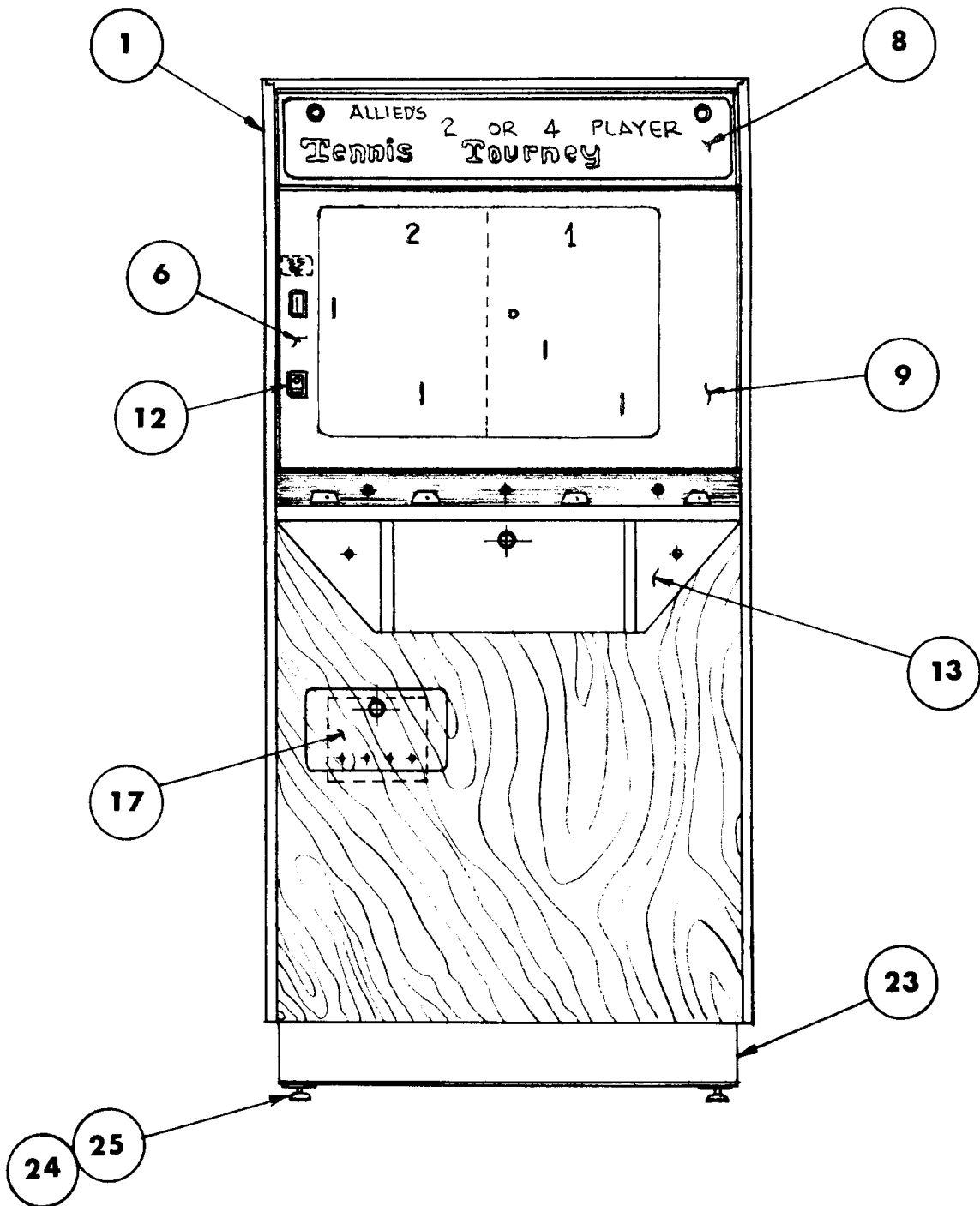


Allied's
TENNIS TOURNEY

**PARTS
CATALOG**



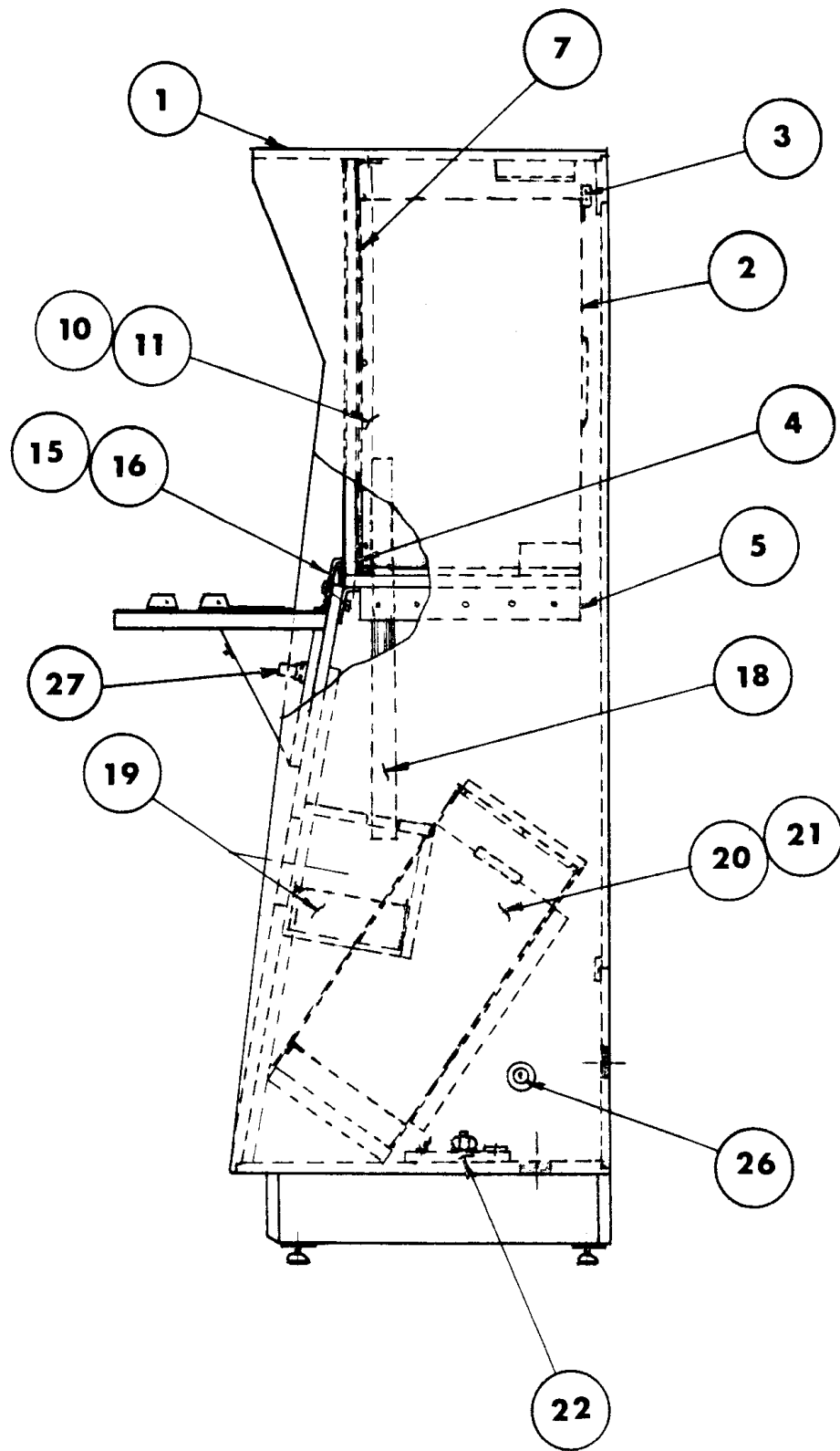
**ALLIED LEISURE INDUSTRIES INC.
245 WEST 74TH PLACE
HIALEAH, FLORIDA 33010**



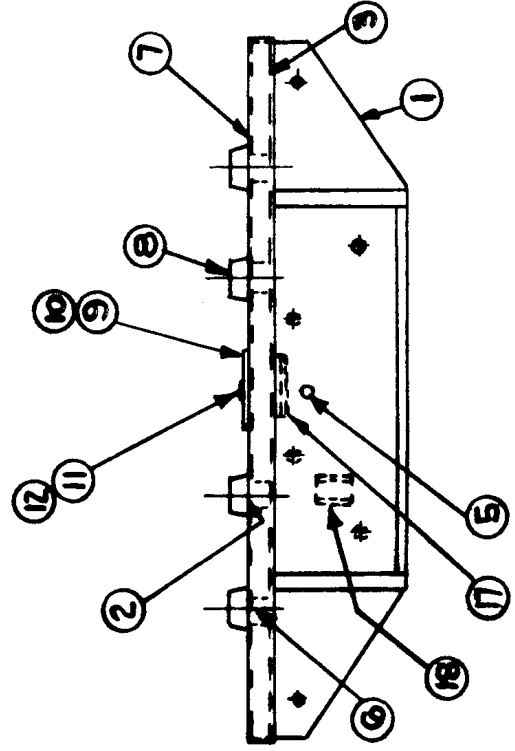
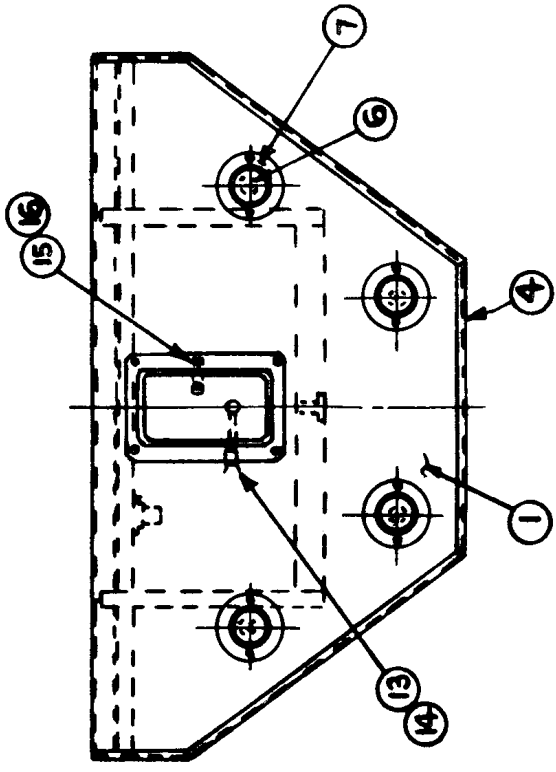
FRONT VIEW - CABINET

TENNIS TOURNEY - 4 PLAYER

ITEM	PART NO.	DESCRIPTION
1	249-1-1	Tennis Tourney Cabinet Ass'y
2	249-9-1	22" Table T.V. Sylvania
3	249-3-6	T.V. Rear Supp. Bracket
4	249-3-7	T.V. Front Bottom Bracket Supp.
5	249-1-3	T.V. Base Support Ass'y
6	249-1-19	Front Top Panel Ass'y
7	249-3-4	Light Panel Brk't
8	249-6-2	Top Screen Glass
9	249-6-1	Smoked Glass
10	249-1-10	Lock Stop Bracket L.H. Ass'y
11	249-1-11	Lock Stop Bracket R.H. Ass'y
12	249-1-12	Coin Chute & Bracket Ass'y
13	249-1-9	See Page #4 Deck Control Ass'y
14		
15	249-3-2	Front Bracket Cover
16	249-3-3	Bracket Cover Rear Support
17	249-1-6	Cash Door Ass'y
18	249-3-17	Coin Chute Tube
19	240-1-507	Cash Box Weldment
20	249-1-8	Chassis Ass'y
21	249-9-2	P.C.B. 040 Video Control
22	249-1-15	See Page #5 24V Power Supply Ass'y 4-Players
23	249-1-14	Cabinet Base Ass'y
24	240-3-46	Leg Leveler Tap Plate
25	240-8-9	Leg Leveler
26	240-1-35	On-Off Switch Ass'y
27	249-1-20	SEE PAGE #5 Counter Ass'y

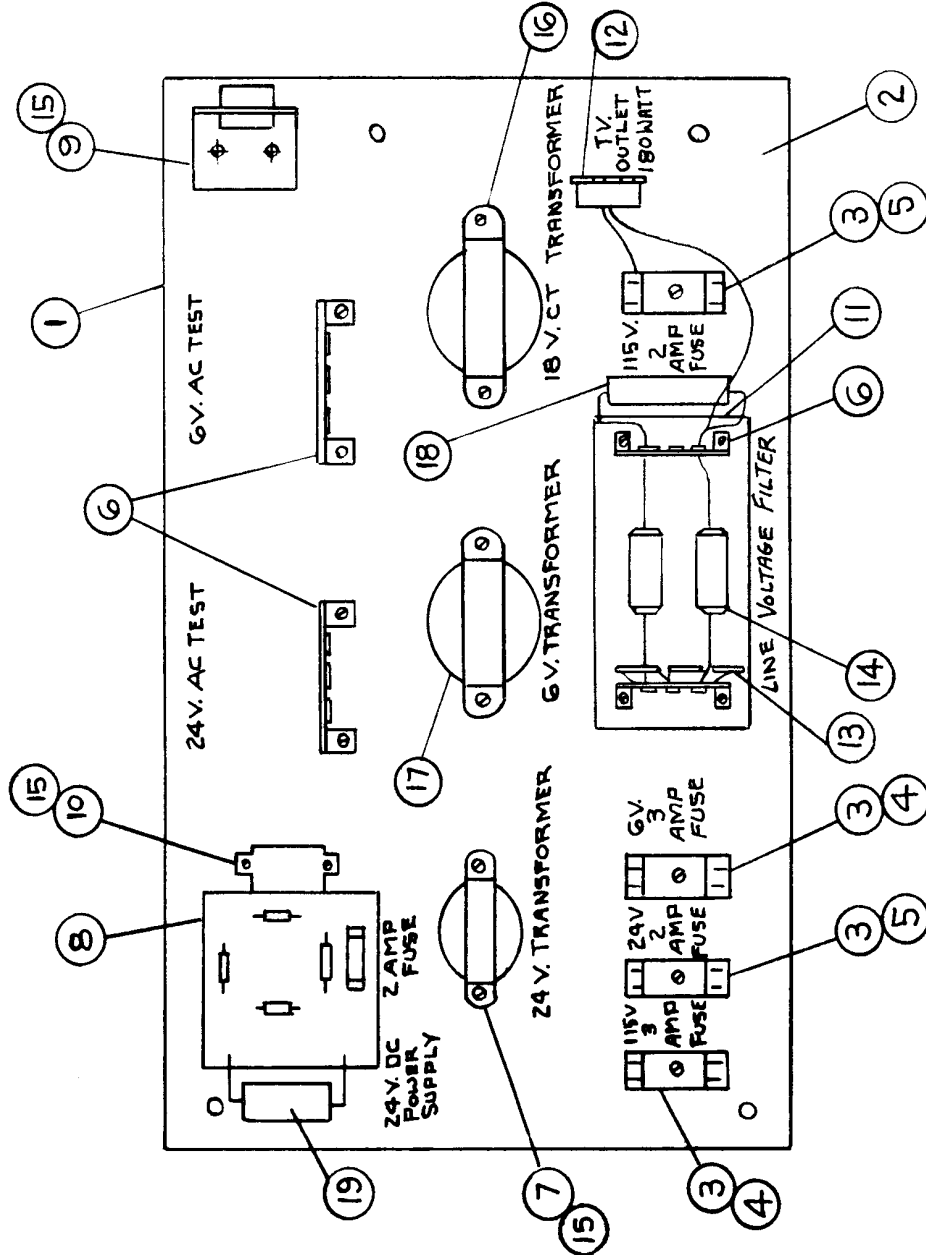


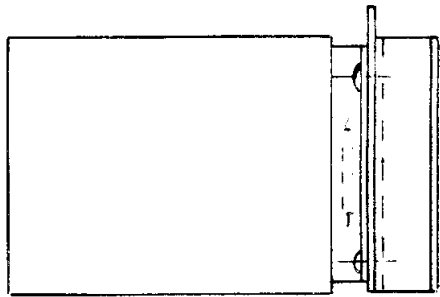
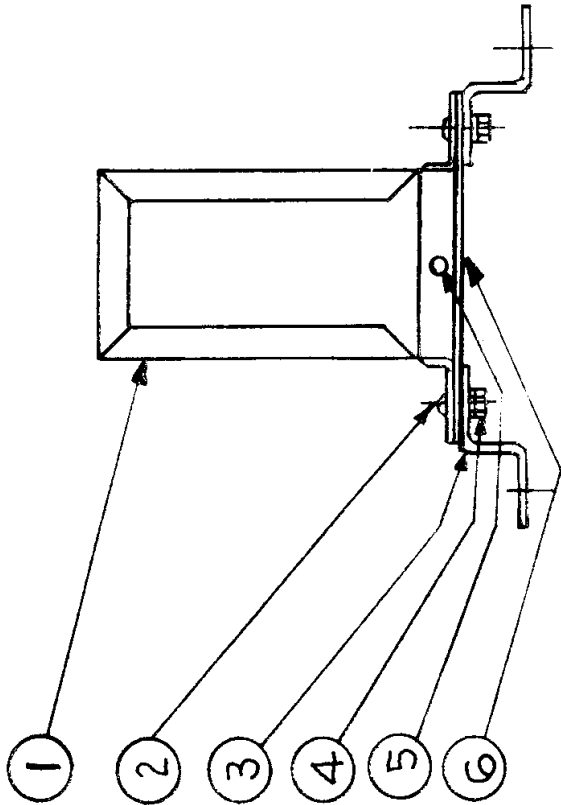
SIDE VIEW - CABINET



QTY. PER ASSY.	DWG. No.	DESCRIPTION
1	249-1-20	COUNTER ASSY
1	249-3-24	LOCK PLATE
1	240-9-23	DISPLAY LAMP WH 44
1	240-9-24	LAMP SOCKET
1	73-58	SWITCH COVER PLATE
1	240-71-1	SWITCH-CREDIT BUTTON
1	240-2-35	PUSH BUTTON JACKET
1	5-7	PUSH BUTTON
1	249-6-3	INSTRUCTION PANEL
1	249-3-13	FRONT PANEL INST. COVER
4	249-2-1	KNOB
4	249-3-5	KNOB PLATE
4	249-1-13	POT ASSY
1	240-8-44	1 KEY LOCK
1	249-3-1	CONTROL TABLE-ALUM. TRIM
1	249-4-7	CONTROL TABLE BOTTOM BRD.
4	235-8-21	INSULATOR WASHER
1	249-1-2	CONTROL TABLE ASSY.
1		

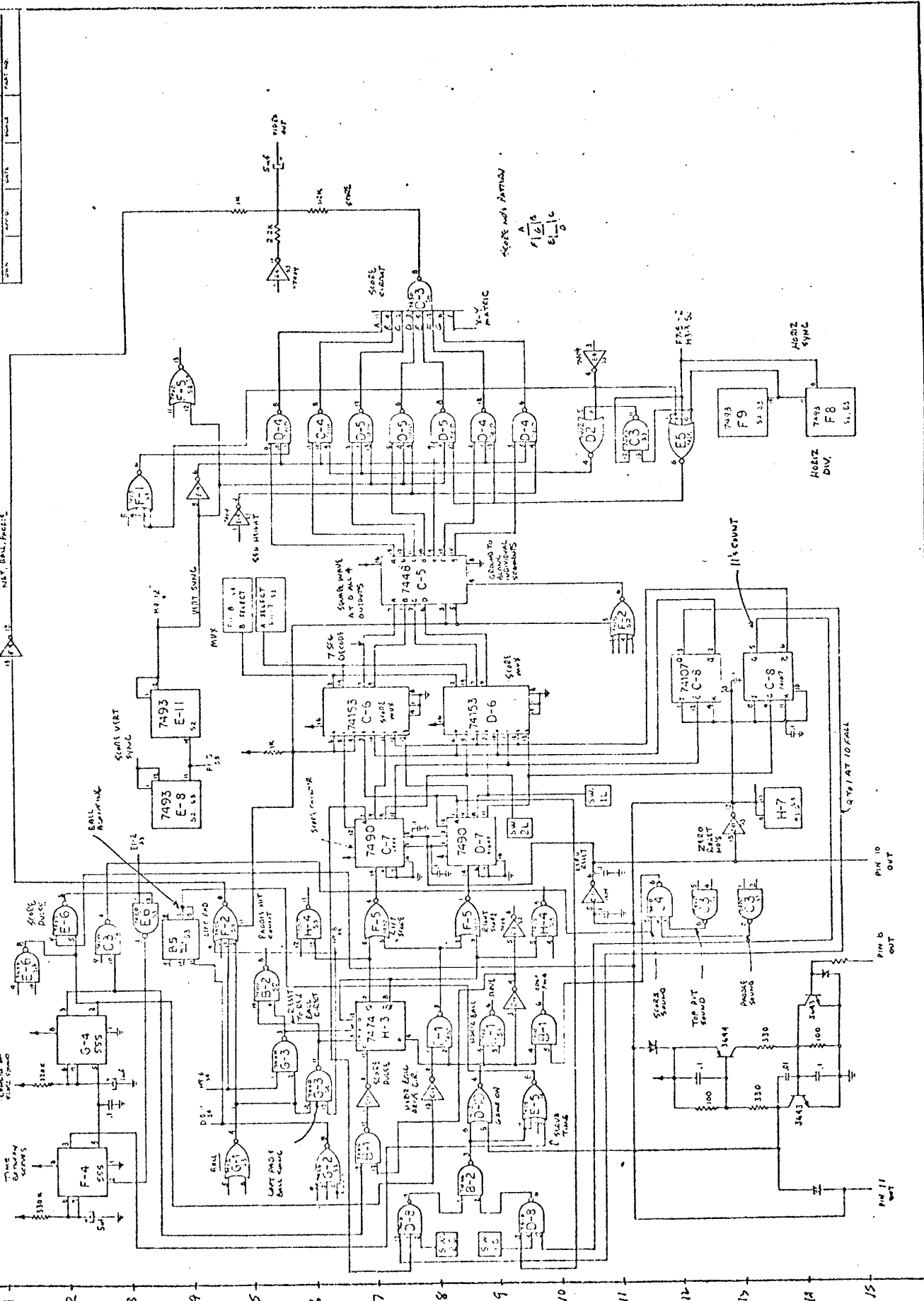
ITEM	PART No	DESCRIPTION	QNT.
①	249-4-37	POWER SUPPLY BLOCK	1
②	249-6-5	24V. POWER SUPPLY CARD	1
③	240-9-34	FUSE HOLDER	4
④	240-9-111	3 AMP FUSE	2
⑤	244-9-11	2 AMP FUSE	2
⑥	240-9-41	TERMINAL STRIP 3LUG	4
⑦	244-9-18	24V 1AMP TRANSFORMER	1
⑧	249-1-16	24V P.C. BOARD ASSY.	1
⑨	240-3-169	12 PIN MINL BRACKET	1
⑩	240-3-50	EDGE CONNECTOR 6-PIN	1
⑪	244-3-7	INSULATOR STRIP	1
⑫	244-9-9	CHRSSIS PLUG	1
⑬	244-9-6	01 Mf CERAMIC CAPACITOR	3
⑭	244-9-3	100 MH COIL	2
⑮		#6 x 3/8 PPH5M5	22
⑯	249-9-4	TRANSFORMER 18V.	1
⑰	233-9-6	6V. TRANSFORMER	1
⑱	244-9-4	.47 MFD 400V CAPACITOR	1
⑲	249-9-10	1000 MFD 90V CAPACITOR	1





ITEM	QTY.	PART NO.	DESCRIPTION
⑥	1	249-9-5	REED P.C.B.
⑤	1	249-9-7	MAGNETIC REED SW
④	4		#4-40 KEPS NUT
③	2	249-3-3A	BRACKET
②	4		#4-40x1/4
①	1	235-9-32	COUNTER 24V 50/60HZ

1 2 3 4 5 6 7 8 9 10 11 12 13 14 15



SCORE AND PARTIAL
 A 16/16
 B 1/16
 C 1/16
 D

11'S COUNT

Q TO AT 10 FALL

PIN 10
OUT

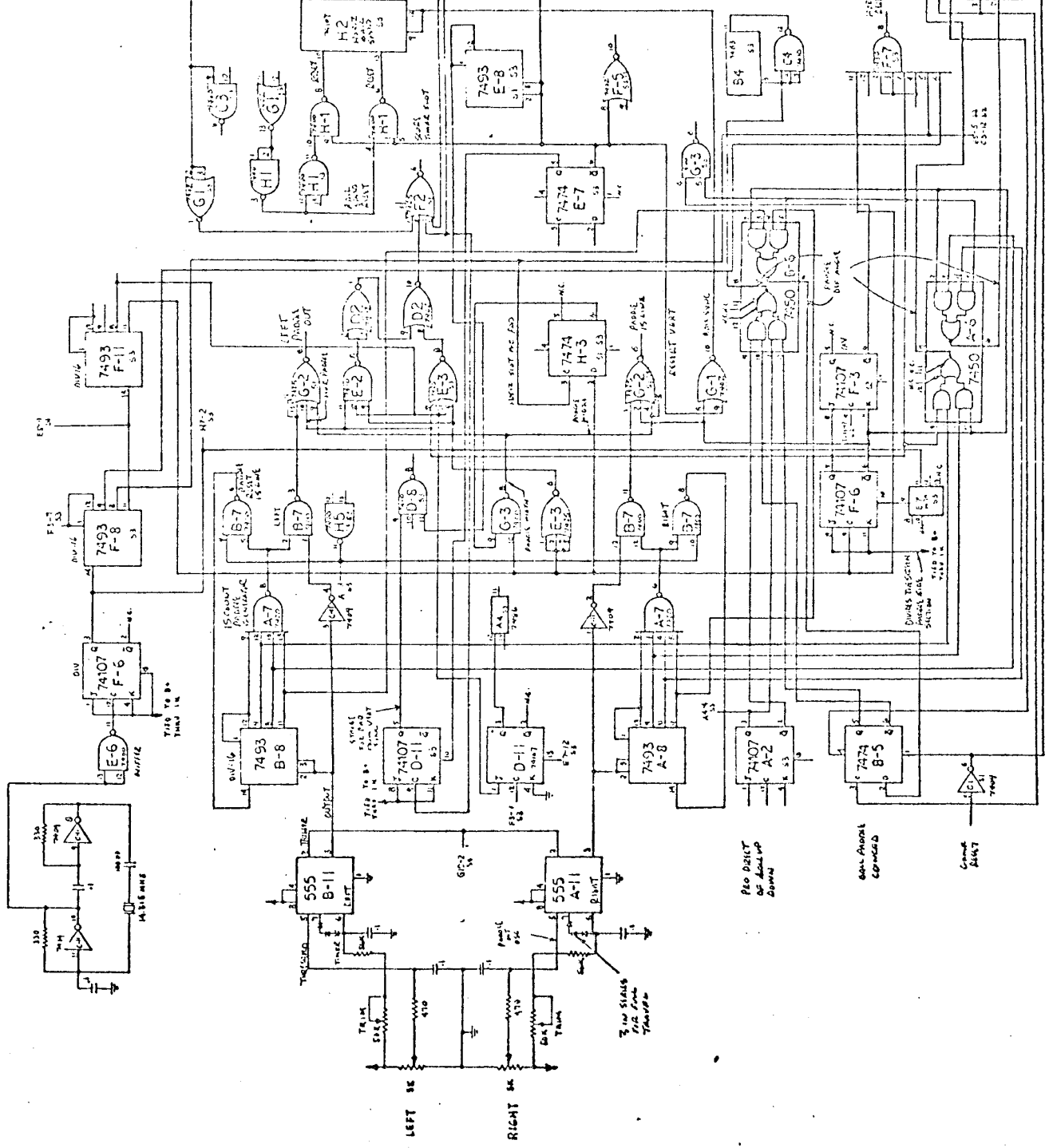
PIN 8
OUT

PIN 11
OUT

A B C D E F G H I J K L M N O P Q R S T

ALLIED LEISURE INDUSTRIES, INC.
MEMPHIS, TENNESSEE

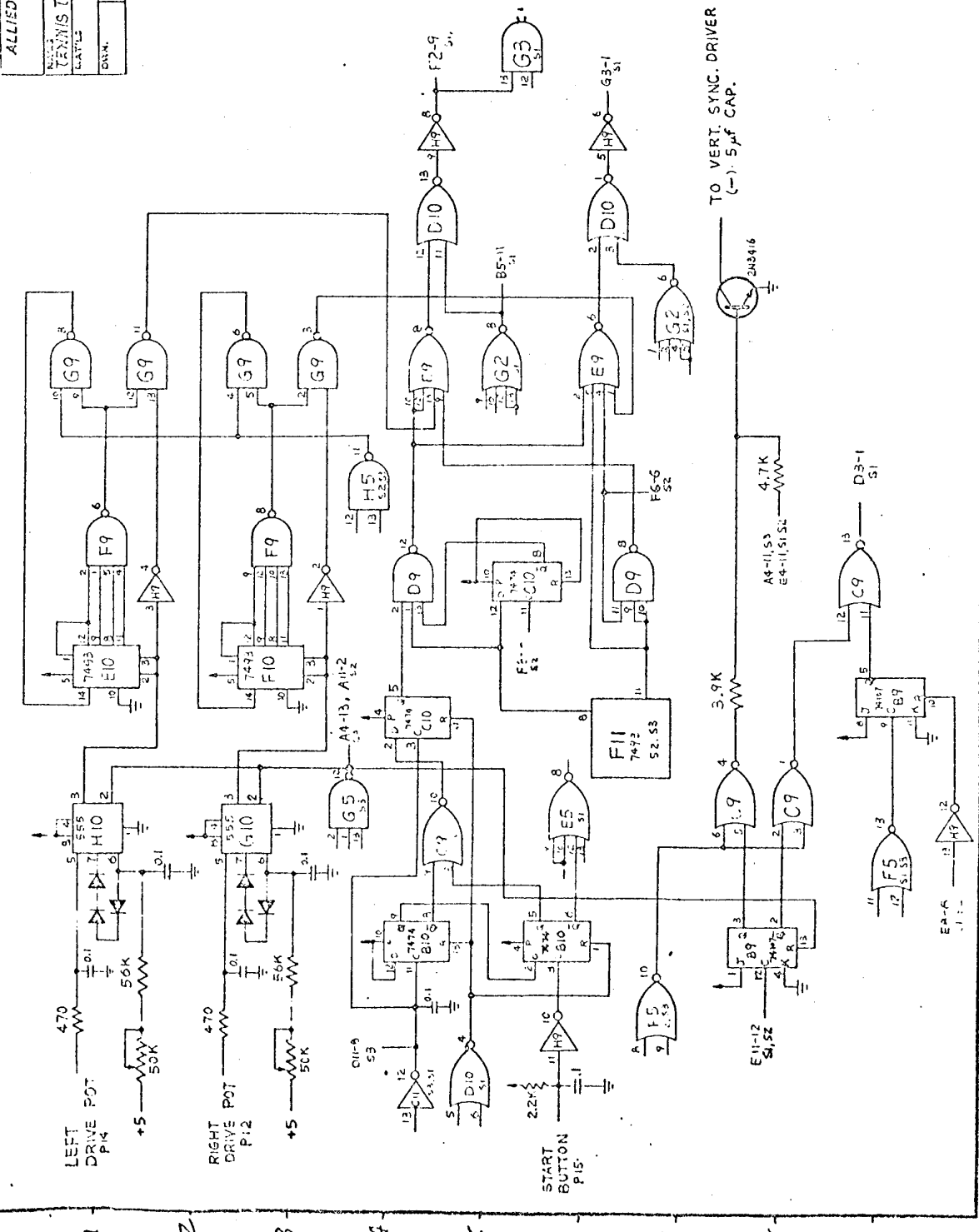
VISION TIME SLIT FOR PRODUCTS



1 2 3 4 5 6 7 8 9 10 11 12 13 14 15

A B C D E F G H I J K L M N O

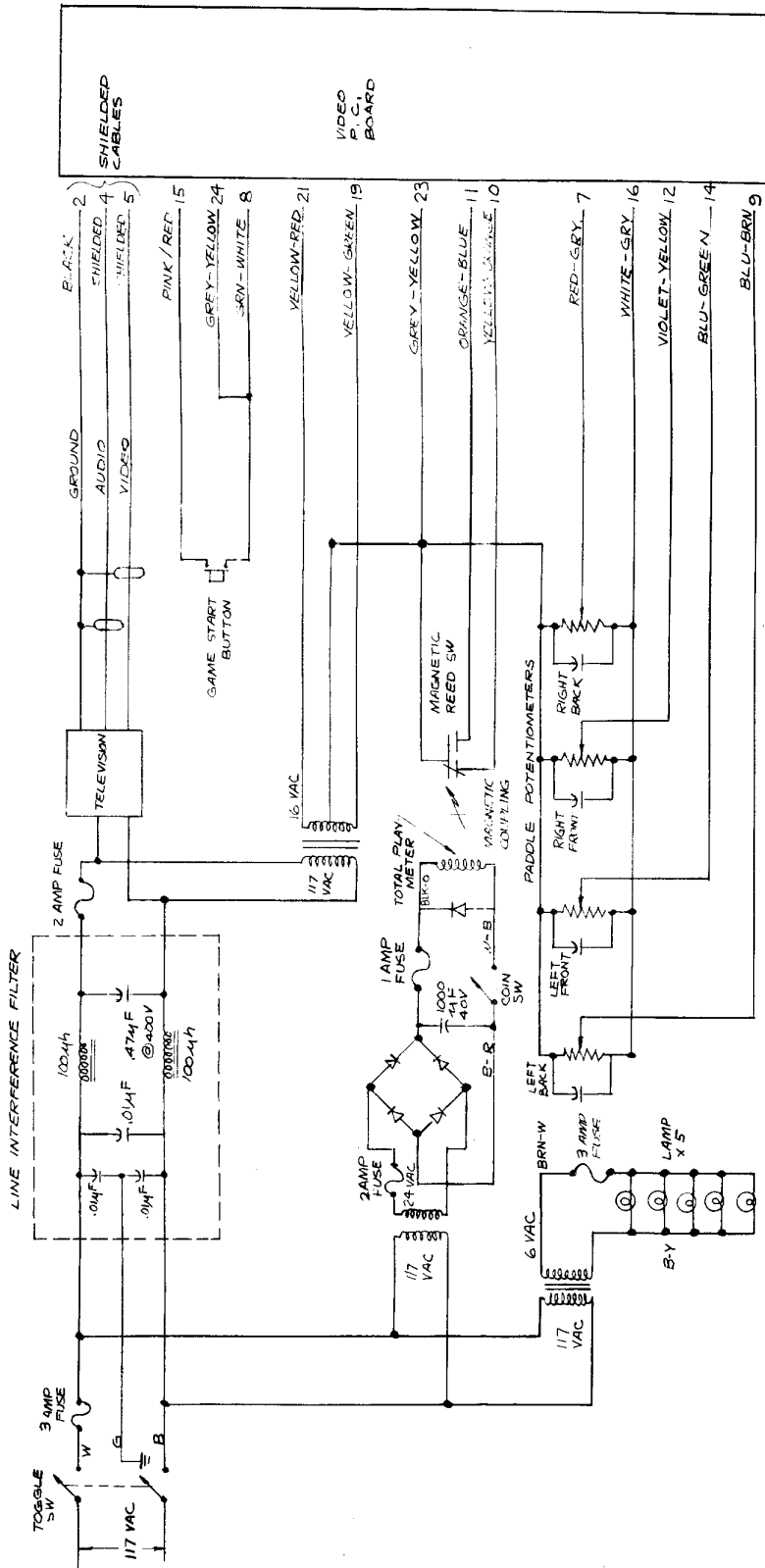
ALLIED LEISURE INDUSTRIES INC.			
MILWAUKEE, FLORIDA			
TENNIS JOURNEY-LOGIC BOARD DISCREET SET 4			
DATE:	HEAT TREAT:	FINDER:	
QTY:	APPD:	SCALE:	PART NO.



TO VERT. SYNC. DRIVER
(-) 5µf CAP.

REVISIONS

REV LETTER	ITEM NO.	DESCRIPTION	RE. WORK	DISPOSITION OF EXISTING PARTS	ENGR G



QTY PER ASSY	DWG NO.	NOMENCLATURE	MATERIAL OR COMM'L PART NO.	STOCK SIZE	FINISH	PROCESS	HEAT TREAT

TOLERANCES UNLESS OTHERWISE SPECIFIED	FRACCTIONS	DECIMALS	Holes	ANGLES
	± 1/32	± .03	± .000	± 1/2°

TITLE: TENNIS TOURNAMENT LOGIC CIRCUIT
 DWG NO.: 7-2573
 DATE: 7-25-73
 SCALE: 1/16" = 1" (REV)
 APP'D: [Signature]
 CHECKED: [Signature]
 DRAWN: [Signature]

NEXT ASSEMBLY

Side 1

Audio White Noise SCHEMATIC DIAGRAM

* IC100 VOLTAGE CHART

PIN NO.	1	2	3	4	5	6	7	8	9	10	11	12	13	14
IC CHIP INSERTED	+1.9V (+1.9V)	+1.9V (+1.9V)	0V (0V)	0V (0V)	+2.6V (+2.6V)	+2.6V (+2.6V)	+6V (+6V)	+5.5V (+5.5V)	+3.8V (+3.8V)	+11.4V (+11.4V)	N.C. (N.C.)	+11.6V (+11.6V)	N.C. (N.C.)	+5.8V (+5.8V)
IC CHIP REMOVED	0V (0V)	0V (0V)	0V (0V)	0V (0V)	+2.6V (+2.6V)	0V (0V)	0V (0V)	0V (0V)	0V (0V)	0V (0V)	N.C. (N.C.)	+0.5V (+0.5V)	N.C. (N.C.)	0V (0V)

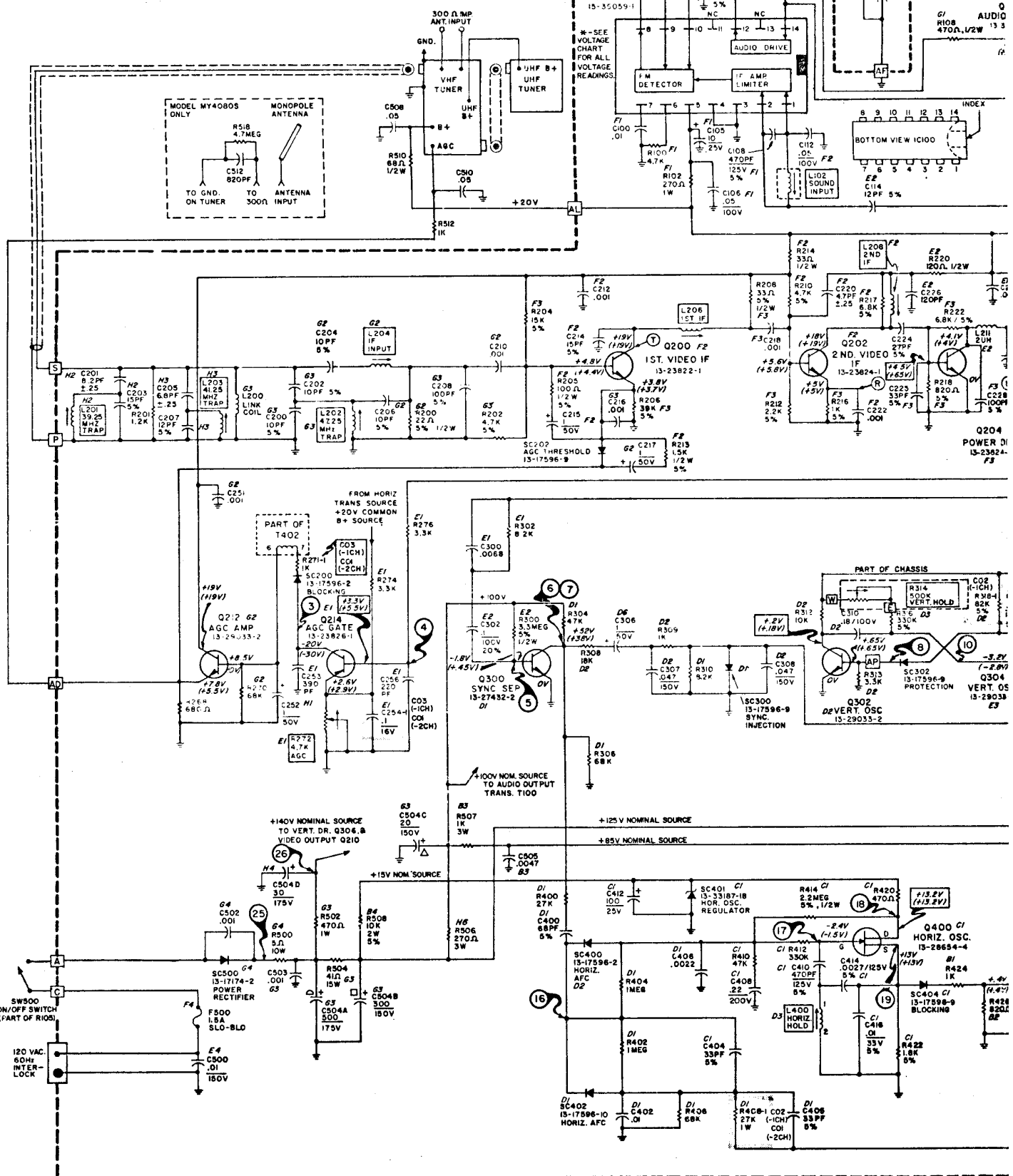


DIAGRAM (A19-1,2 CH.)

Side 2

