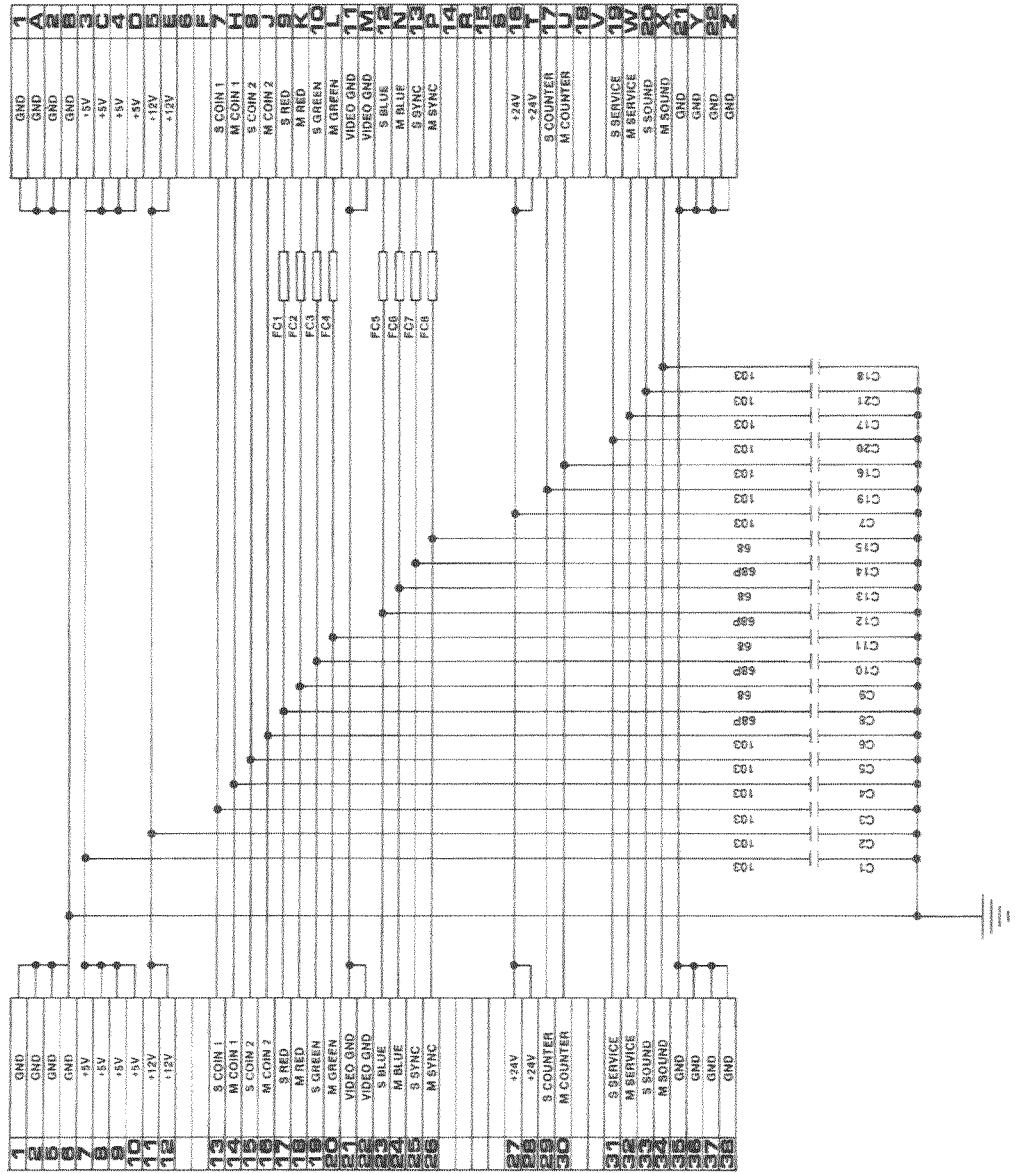


062 40P FCC Connector

44P Edge Connector

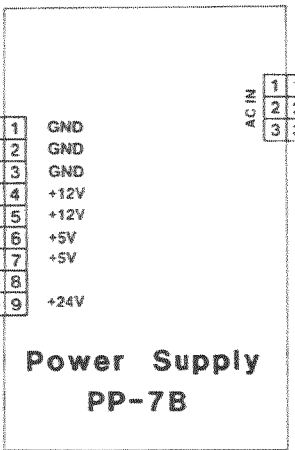
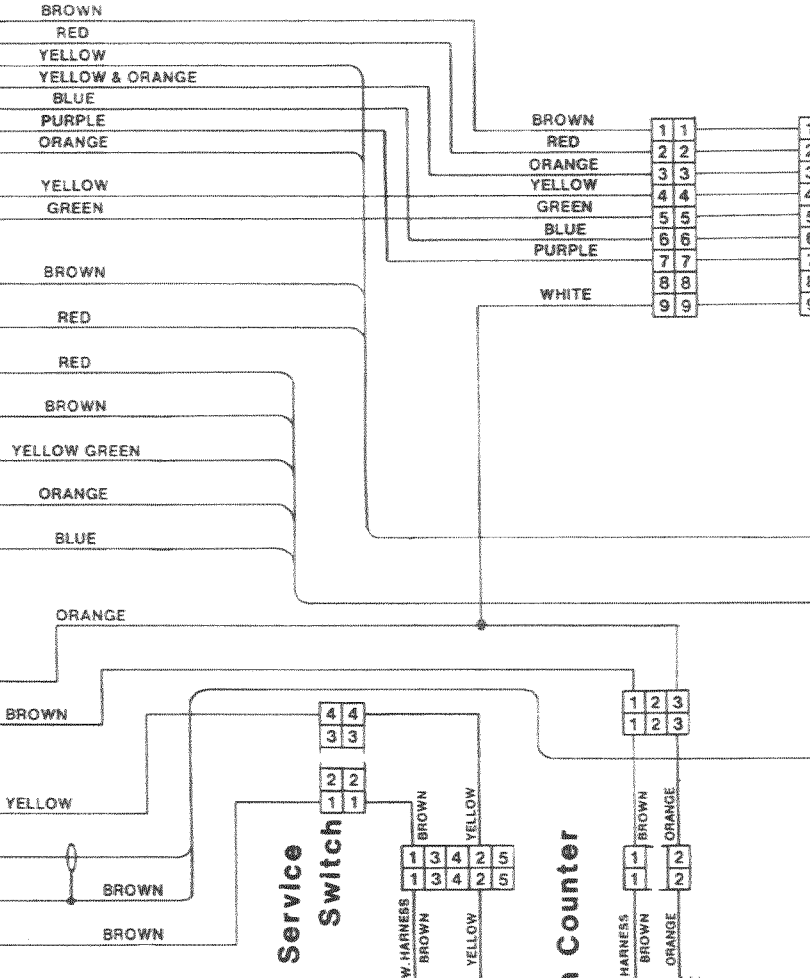


SCHEMATIC

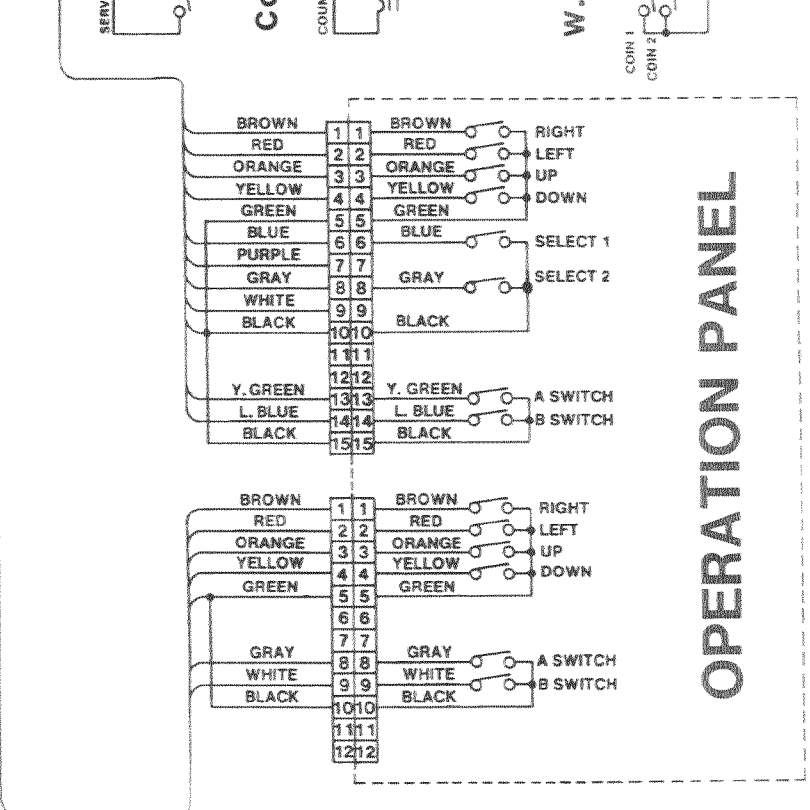
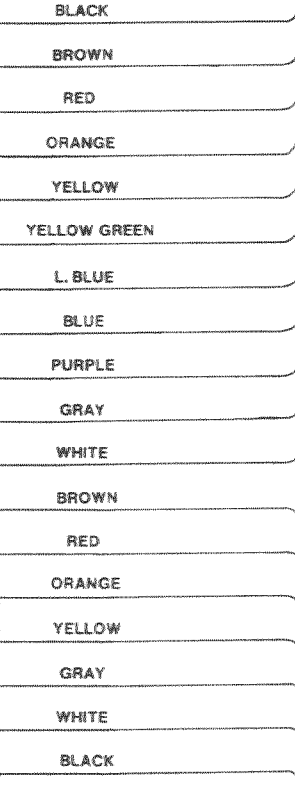
DATE:	APPROVED BY:	DRAWN BY:
3 / 10 / 84		J. HIRATA
REVISED		
062 44P FCC PC Board		
Nintendo of America Inc		
DRAFTED BY: [REDACTED]		

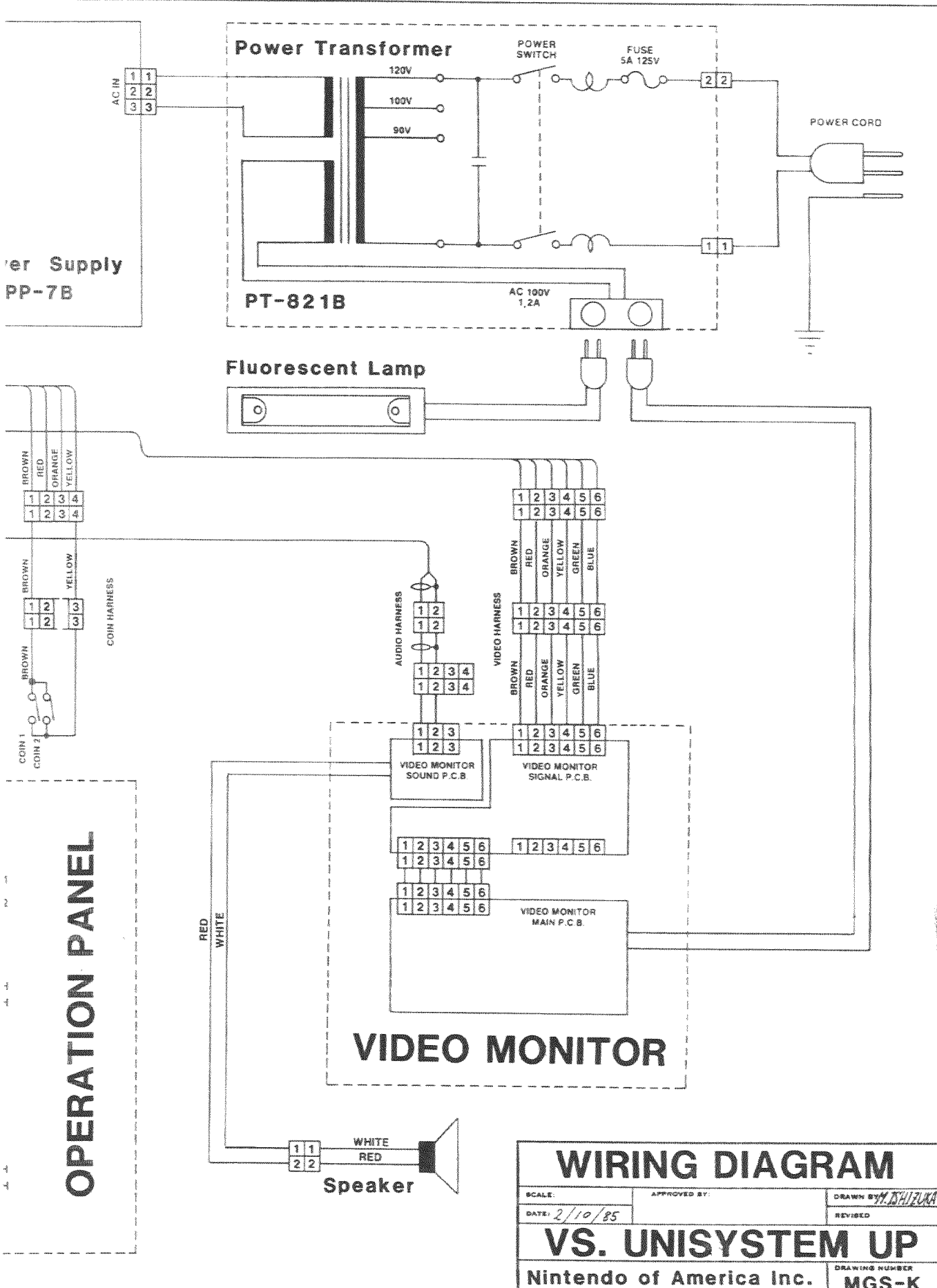
1984 NINTENDO OF AMERICA, INC.

1	GND
A	GND
2	GND
B	GND
3	+5V
C	+5V
4	+5V
D	+12V
E	+12V
F	S COIN 1
G	M COIN 1
H	S COIN 2
J	M COIN 2
K	S RED
L	M RED
10	S GREEN
11	M GREEN
12	V. GND
M	V. GND
14	S BLUE
N	M BLUE
16	S SYNC
P	M SYNC
18	
19	
20	
21	
22	
23	
24	
25	
26	
27	
28	
29	
30	
31	
32	
33	
34	
35	
36	
37	
38	
39	
40	
41	
42	
43	
44	
45	
46	
47	
48	
49	
50	
51	
52	
53	
54	
55	
56	
57	
58	
59	
60	
61	
62	
63	
64	
65	
66	
67	
68	
69	
70	
71	
72	
73	
74	
75	
76	
77	
78	
79	
80	
81	
82	
83	
84	
85	
86	
87	
88	
89	
90	
91	
92	
93	
94	
95	
96	
97	
98	
99	
100	

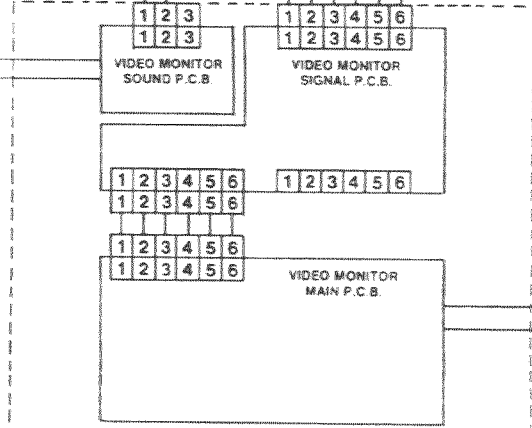
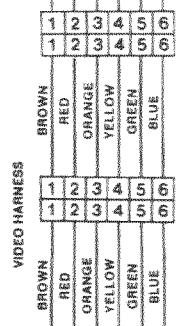
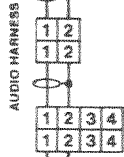
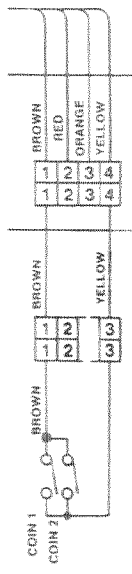
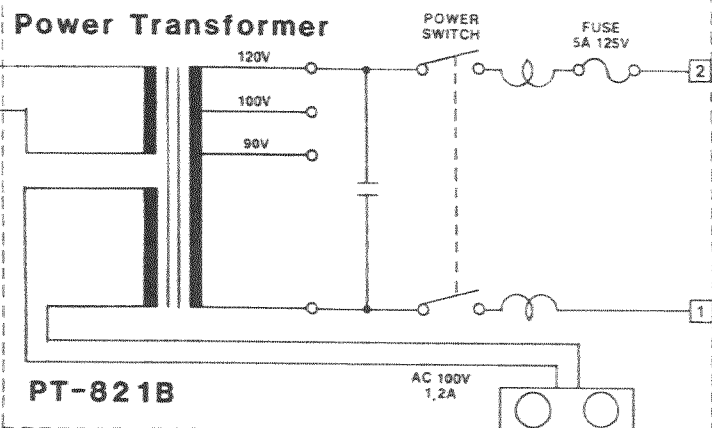


1	GND
A	GND
B	S1 RIGHT
C	M1 RIGHT
D	S1 LEFT
E	M1 LEFT
F	S1 UP
G	M1 UP
H	S1 DOWN
J	M1 DOWN
K	S1 A SWITCH
L	M1 A SWITCH
M	S1 B SWITCH
N	M1 B SWITCH
P	S SELECT 1
Q	M SELECT 1
R	S SELECT 2
S	M SELECT 2
T	S SELECT 3
U	M SELECT 3
V	S SELECT 4
W	M SELECT 4
X	S2 RIGHT
Y	M2 RIGHT
Z	S2 LEFT
AA	M2 LEFT
AB	S2 UP
AC	M2 UP
AD	S2 DOWN
AE	M2 DOWN
AF	S2 A SWITCH
AG	M2 A SWITCH
AH	S2 B SWITCH
AI	M2 B SWITCH
AJ	GND
AK	GND

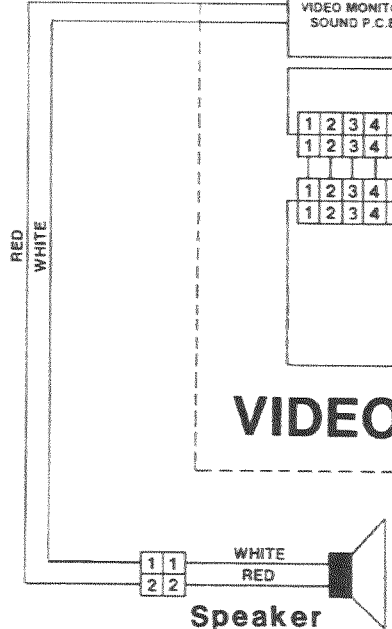




Power Supply
PP-7B



VIDEO MONITOR



OPERATION PANEL

WIRING DIAGRAM

SCALE: _____ APPROVED BY: _____ DRAWN BY: *M. J. BURKA*

DATE: 2/10/85 _____ REVISED _____

VS. UNISYSTEM UP

Nintendo of America Inc. DRAWING NUMBER **MGS-K**

062 44P FCC HARNESS
 062 36P FCC HARNESS
 062 FCC PC BOARD
 NINTENDO OF AMERICA INC.

MDS PCB

062 44P FCC HARNESS

1	GND	BLACK	1	1
A	GND	BLACK	2	2
B	GND	BLACK	3	3
C	GND	BLACK	4	4
D	+5V	RED	5	5
E	+5V	RED	6	6
F	+5V	RED	7	7
G	+12V	ORANGE	8	8
H	+12V	ORANGE	9	9
I			10	10
J	S COIN 1	BROWN	11	11
K	M COIN 1	BROWN	12	12
L	S COIN 2	RED	13	13
M	M COIN 2	RED	14	14
N	S RED	RED	15	15
O	M RED	BROWN	16	16
P	S GREEN	BROWN	17	17
Q	M GREEN	BROWN	18	18
R	V. GND	YELLOW	19	19
S	Y. GND	YELLOW	20	20
T	S BLUE	ORANGE	21	21
U	M BLUE	ORANGE	22	22
V	S SYNC	BLUE	23	23
W	M SYNC	BLUE	24	24
X			25	25
Y			26	26
Z			27	27
			28	28
			29	29
			30	30
			31	31
			32	32
			33	33
			34	34
			35	35
			36	36
			37	37
			38	38

062 44P FCC PCB

44P Edge Harness Connector

062 36P FCC HARNESS

1	GND	BLACK	3	3
A	GND	BLACK	4	4
B	S1 RIGHT	BROWN	5	5
C	M1 RIGHT	BROWN	6	6
D	S1 LEFT	RED	7	7
E	M1 LEFT	RED	8	8
F	S1 UP	ORANGE	9	9
G	M1 UP	ORANGE	10	10
H	S1 DOWN	YELLOW	11	11
I	M1 DOWN	YELLOW	12	12
J	S1 A SWITCH	YELLOW GREEN	13	13
K	M1 A SWITCH	YELLOW GREEN	14	14
L	S1 B SWITCH	LIGHT BLUE	15	15
M	M1 B SWITCH	LIGHT BLUE	16	16
N	S SELECT 1	BLUE	17	17
O	M SELECT 1	BLUE	18	18
P	S SELECT 2	PURPLE	19	19
Q	M SELECT 2	PURPLE	20	20
R	S SELECT 3	GRAY	21	21
S	M SELECT 3	GRAY	22	22
T	S SELECT 4	WHITE	23	23
U	M SELECT 4	WHITE	24	24
V	S2 RIGHT	BROWN	25	25
W	M2 RIGHT	BROWN	26	26
X	S2 LEFT	RED	27	27
Y	M2 LEFT	RED	28	28
Z	S2 UP	ORANGE	29	29
	M2 UP	ORANGE	30	30
	S2 DOWN	YELLOW	31	31
	M2 DOWN	YELLOW	32	32
	S2 A SWITCH	GRAY	33	33
	M2 A SWITCH	GRAY	34	34
	S2 B SWITCH	WHITE	35	35
	M2 B SWITCH	WHITE	36	36
	GND	BLACK	37	37
	GND	BLACK	38	38

062 36P FCC PCB

36P Edge Harness Connector

WIRING DIAGRAM

SCALE: APPROVED BY: *[Signature]*
 DATE: 3/10/84
 062 FCC PC Board
 Nintendo of America Inc.