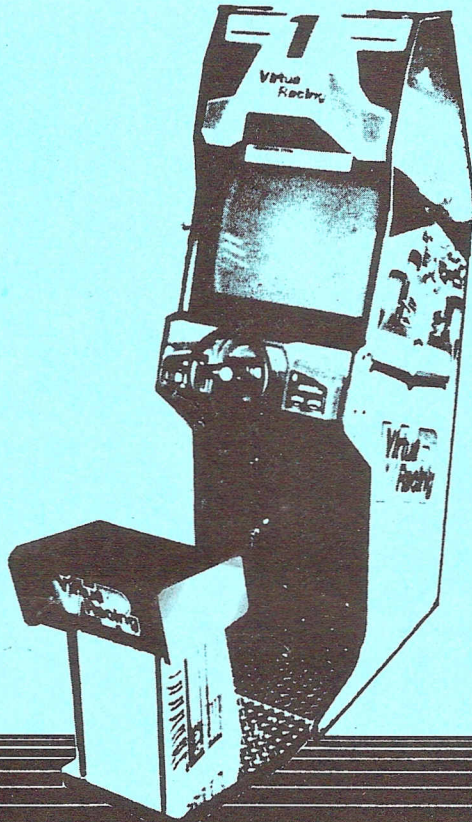


SEGA

VR
Virtua Racing

OWNERS MANUAL



MANUAL NO. 999-0188



Table of Contents

Introduction of the Owner's Manual	
Handling Precautions	1
Prevention of Counterfeiting and Conversion	1
Precautions Concerning Installation Location	2
Method Of Installation and Assembly	3
Power On Check	4
SW Unit	5
Test Mode	6
Accel. & Brake (Accelerator & Brake).....	14
Handle (Control Panel)	20
Adjustment of the 26" Monitor	22
Periodic Check and Replacement of Fluorescent Lamp	23
Parts List.....	24
Wire Color Code Table	37
Wiring Diagram.....	38-40

SPECIFICATIONS

Installation Space: 26" w x 80" h x 36" d

Height: 79"

Weight: 550 lbs.

Power: Approx. 525W, 60Hz

CRT: 26"

NOTE: Descriptions in this manual are subject to change without prior notice.

Handling Precautions

Pay close attention to the following points when installing or inspecting the game to ensure that the players can enjoy it safely.

- Be sure to turn off the power before working on the machine.
- It is dangerous to insert and pull out the plug quickly.
- It is necessary to make sure that the power cord or the ground wire is not exposed out in the open where it may be dangerous. Care should be taken so that grounding connections are made safely at locations specified.
- Do not use fuses which do not meet specified ratings.
- Make complete connections of the IC board and other connectors. Insufficient insertion is very dangerous.
- For inspection of IC board circuits, only the logic tester is allowed. Keep in mind that the usage of a tester is not permitted.
- The operating (ambient) temperature range is from 5°C to 40°C.

After confirming that there is no abnormality, turn on the power.

Prevention of Counterfeiting and Conversion

• LABELING

The following labels are affixed to all SEGA products to prevent counterfeits and conversions. When handling such products, be sure to confirm the labels. They are used to prevent illegal acts such as unauthorized duplication of products and printed circuit boards and carrying on businesses where similar merchandise is manufactured or the products are converted and sold.



Original Seal

The following seal is put on all machines manufactured by SEGA.

COPYRIGHT NOTICE

SEGA product has the following copyright notice.

© SEGA 1992

This signifies that this work was disclosed in 1992 and is the property of SEGA ENTERPRISES. LTD.



Precautions Concerning Installation Location

VIRTUA RACING UR is an indoor game machine.

Under no circumstances should it be installed outdoors. Even indoors, avoid installing in areas mentioned below to ensure proper operation.

- Areas subject to rain, water leakage, or condensation due to humidity.
- In the proximity of an indoor swimming pool and/or showers.
- Areas subject to direct sunlight.
- Areas subject to direct heat from heating units or the like and/or hot air.
- Vicinity of highly flammable/volatile chemicals or hazardous matters.
- Slanted surfaces.
- Vicinity of fire prevention facilities such as emergency exits and fire extinguishers.
- Areas subject to any strong vibrations.
- Dusty areas.

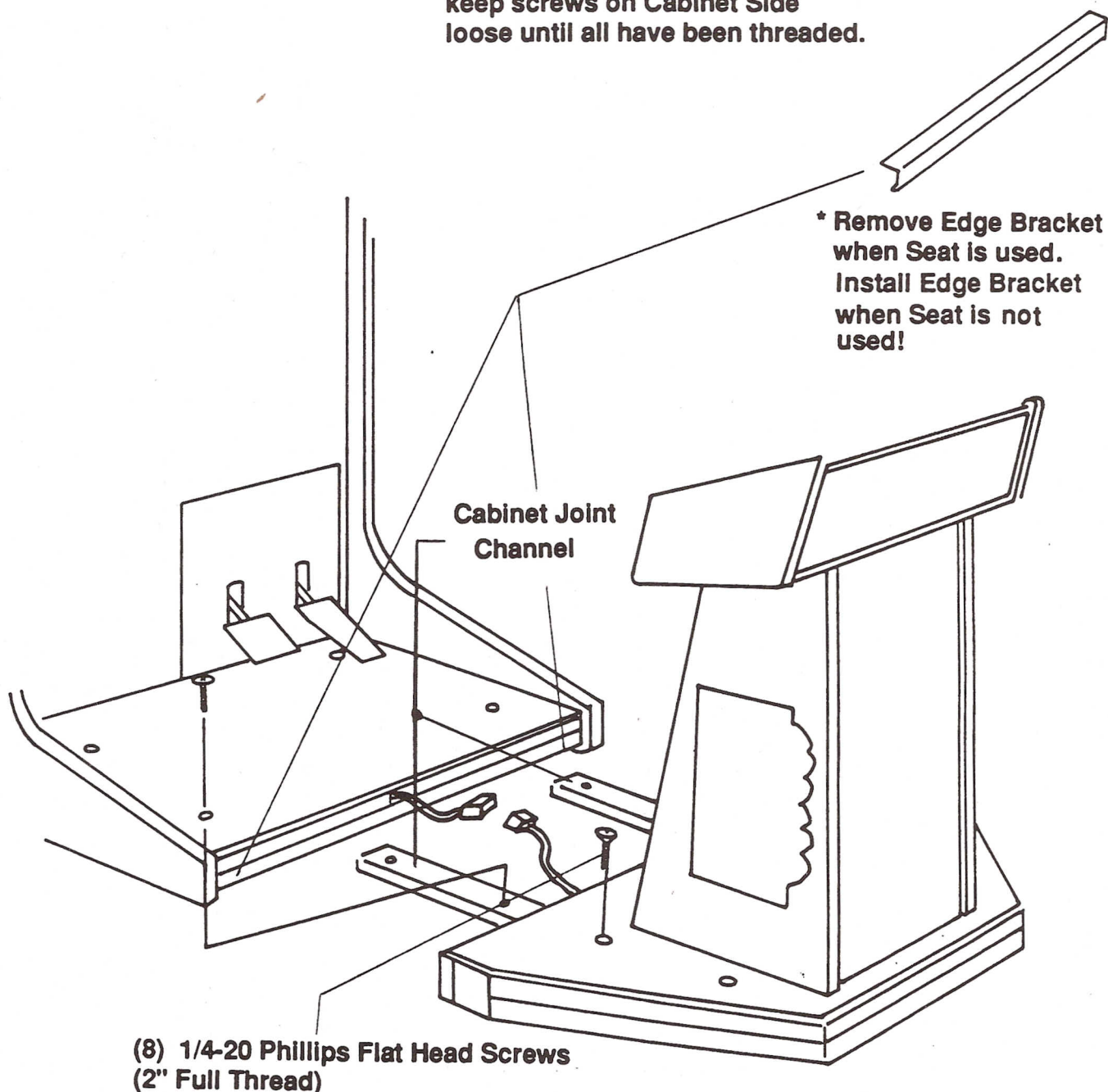
INSTALLATION PRECAUTIONS

1. Do not share the power plug socket with any other electric appliances.
2. The per unit standard voltage/ampereage is 120V/7A.
3. If an extension cord is to be used, use a cord of 10A or higher rating.

Instructions For Seat Installation

- Install cabinet joint channels (2) on seat assembly side.
- Move seat assembly close to main cabinet and connect lamp cable.
- Slide cabinets together and install screws through main cabinet floor pedestal.
- * NOTE: Leg leveler footpads MUST be used on both cabinets.

**NOTE: To install Seat to Cabinet,
keep screws on Cabinet Side
loose until all have been threaded.**



Power On Check

This machine performs various checks at the time the power is turned on. The following are the main check items.

TEST MODE

START CREDIT	xCREDIT START
COIN SETTING	xx
CHUTE 1:	xxCOIN xxCREDIT
CHUTE 2:	xxCOIN xxCREDIT
CAR COLOR	RED
COURSE SELECT	MAJORITY VOTE
LINK ID	NO LINK
RACE MODE	NORMAL
COUNTRY	US
MONITOR	4:3 NORMAL
CABINET	UPRIGHT
DIFFICULTY	NORMAL
EXIT	

Handle Mechanism Check

This check is performed at the same time as when the NETWORK CHECK is made. The steering wheel automatically operates at the same time the power is on. Be sure not to touch it. Also, be sure not to enter the test mode or play the game, so as to avoid irregular checking. This check takes approximately one minute. If the steering wheel turns to the left and right, then performs centering, it is satisfactory. In the event it does not move at all, or only moves either left or right, the game can not be played satisfactorily. For details, refer to the item of DRIVE BD ERROR DISPLAY IN TEST MODE.