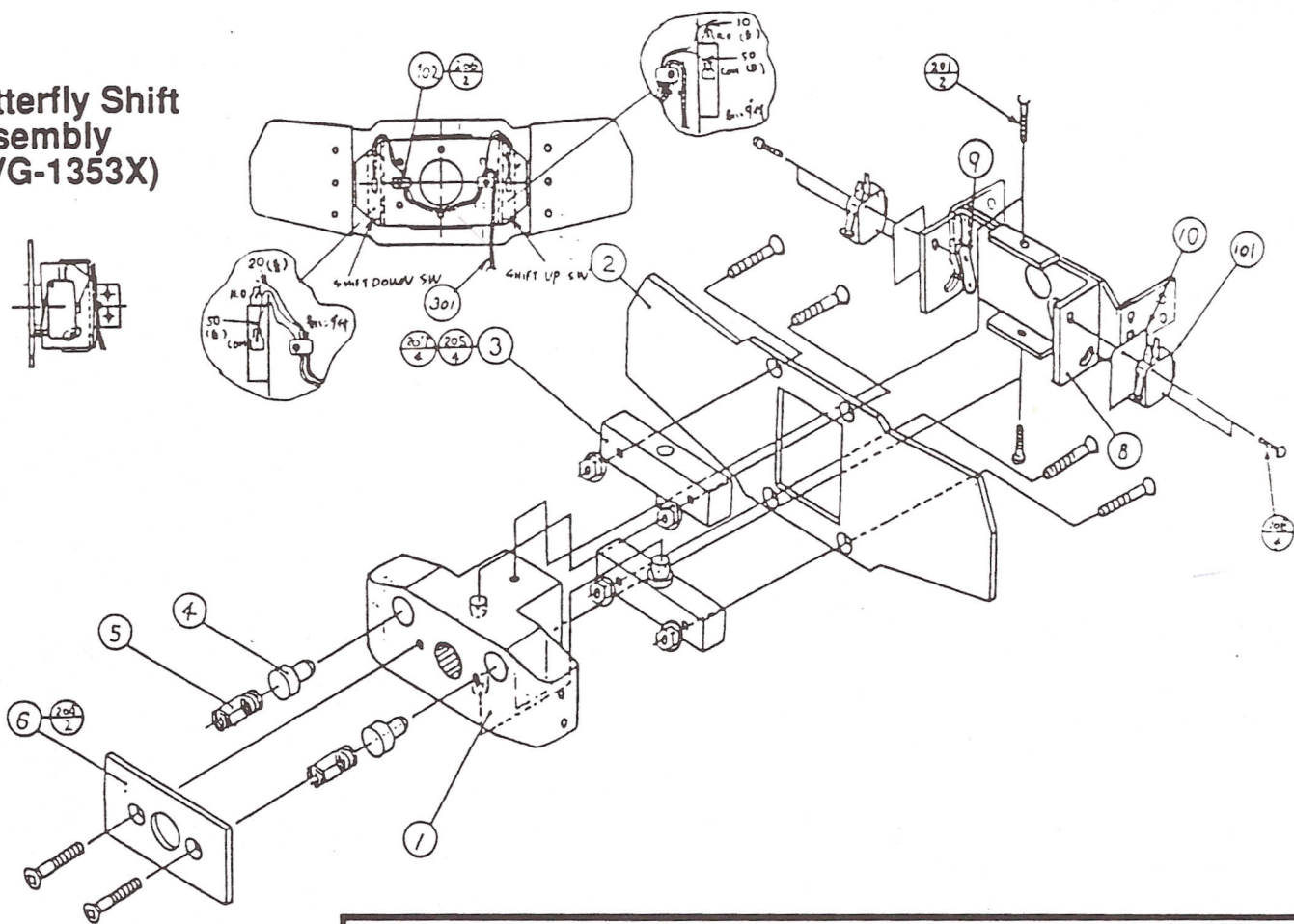
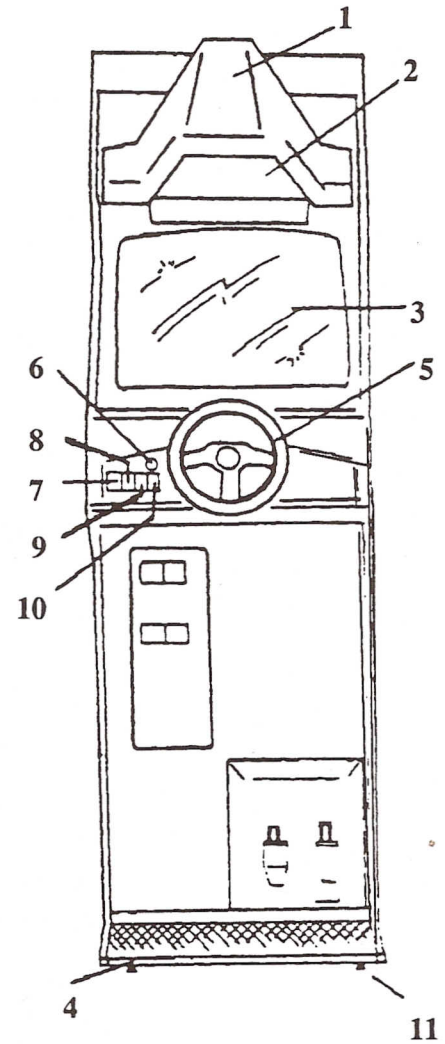
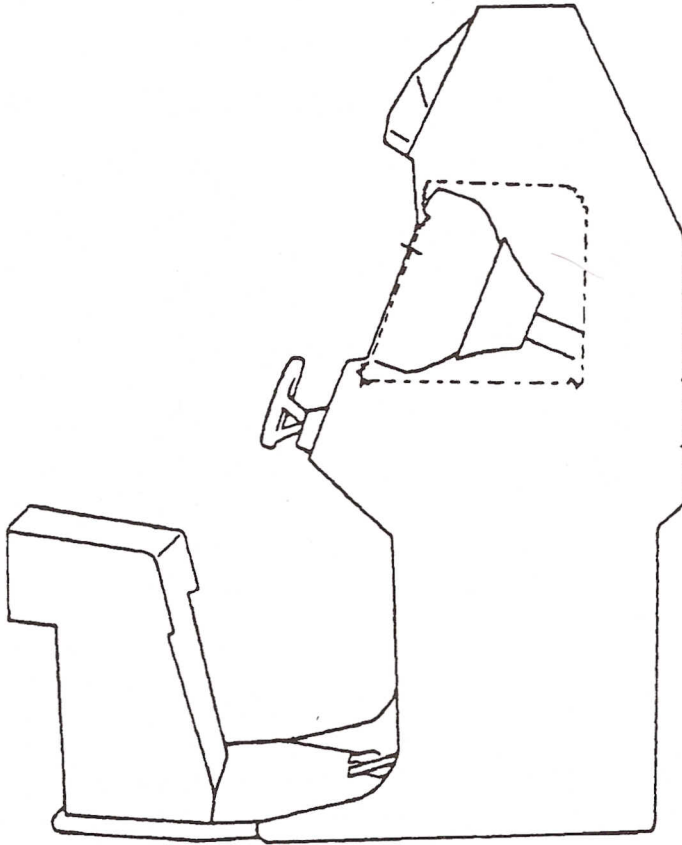


Butterfly Shift Assembly (BVG-1353X)



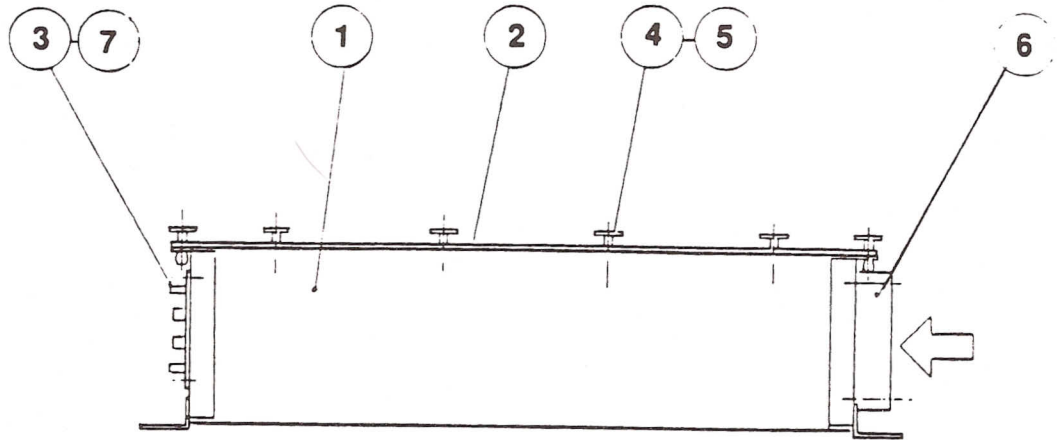
ITEM NO.	PART NO.	DESCRIPTION
1	BVG-1351	Boss
2	SLC-1313	Shift Plate
3	SLC-1314	Pivot
4	SLC-1315X	Plunger
5	SLC-1316	Comp. Spring
6	SLC-1317	Spring Lid
8	BVG-1354	SW. Bracket
9	117-0141	Plate Lock
10	310-0012	Paper Insulator
101	509-5387	SW Micro Type (AH71557K)
102	2800-5124-03	Nylon Clamp NK03
201	000-0408-S	M Screw PH W/S M4 x 8
203	000-0316-FS	M Screw PH W/FS M3 x 16
204	001-0512	M Screw FH M5 x 12
205	001-0525	M Screw FH M5 x 25
206	010-0312-F	S-tite Screw PH W/F M3 x 12
207	051-0005	Flg. Nut M5
301	600-6190-40	Wire Harn. Shift SW

Front Sub Cabinet UR Assembly



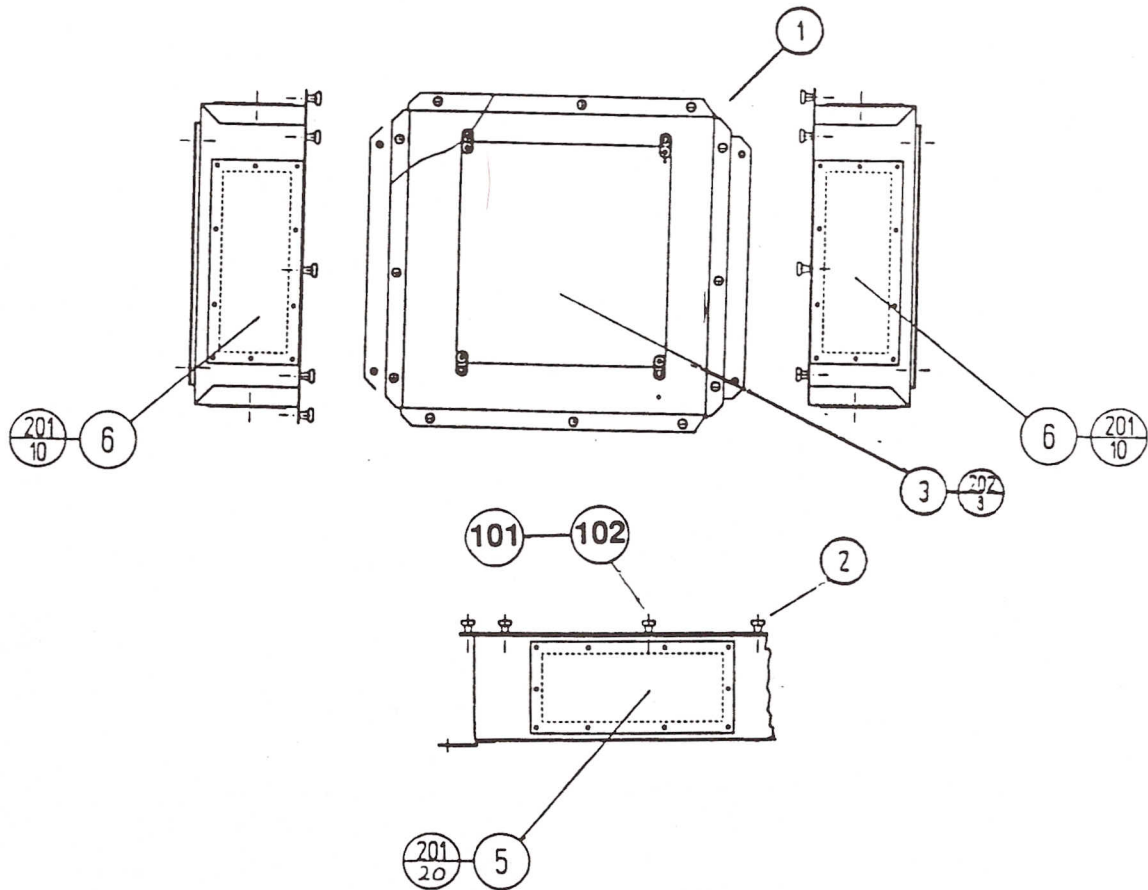
Item #	Part Number	Qty	Description
1	390-5273	1	8" Circular Fluorescent Lamp 22w
2	999-01621	1	Nose Cone w/Decals
3	999-0172	1	Monitor Glass
4	999-0184	1	Protector Bracket
5	RDM-2001	1	Steering Wheel
6	509-5218	1	Start Button
7	509-5445-RE	1	VR Button Red
8	509-5445-BL	1	VR Button Blue
9	509-5445-YE	1	VR Button Yellow
10	509-5445-GR	1	VR Button Green
11	999-0187	1	Leg Leveler

Shield Case Twin UR Assembly



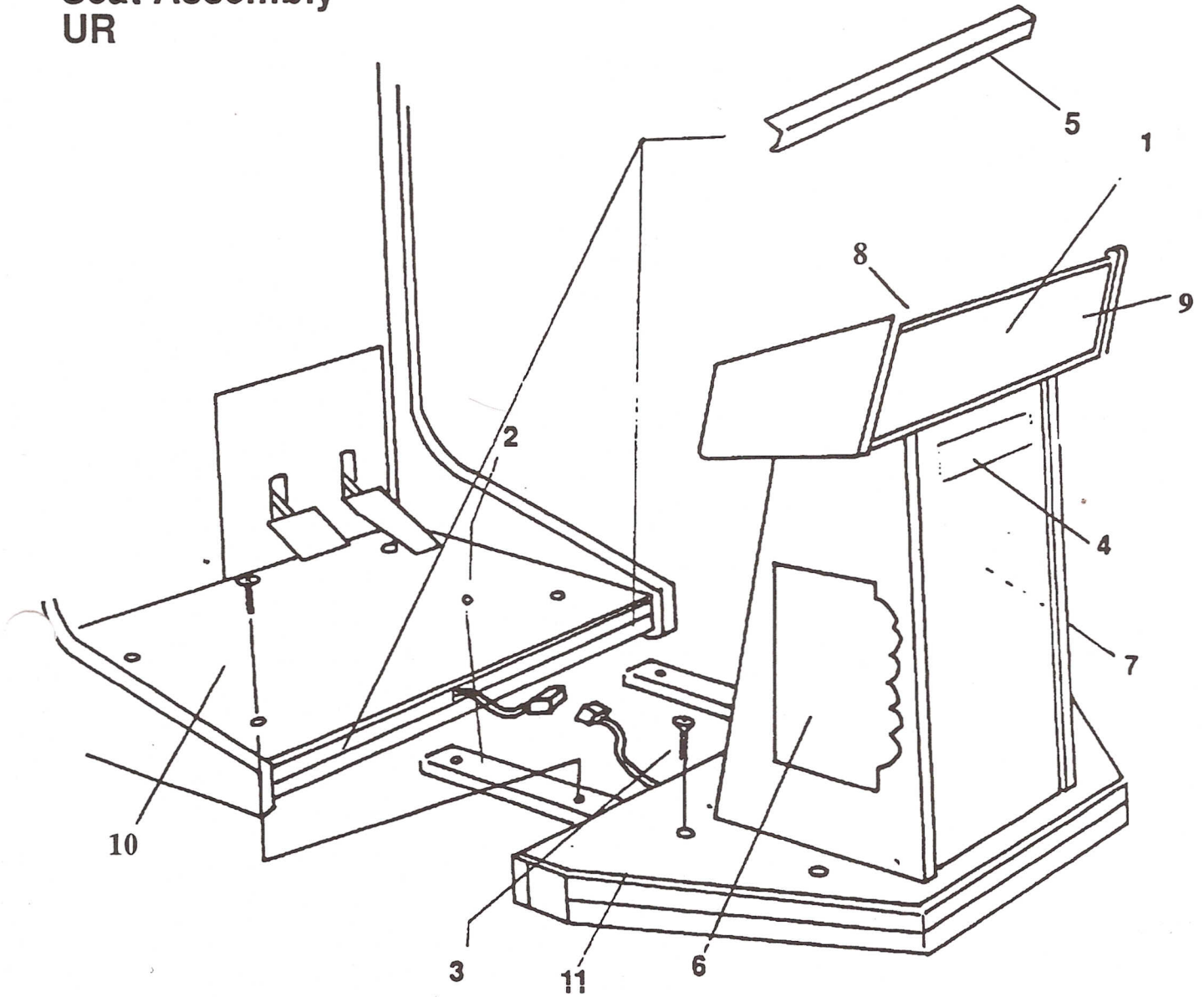
ITEM NO.	DESCRIPTION
1	Shield Case Main
2	Shield Case Lide Main
3	Filter BD. Main
4	Nylatch Grommet
5	Nylatch Plunger
6	Fan Motor DC
7	Conn. Closed End

Shield Case I/O UR Assembly



ITEM NO.	PART NO.	DESCRIPTION
1		Shield Case
2		Shield Case Lid
3	837-8936	I/O BD Virtua Racing
5	839-0532	Filter BD I/O A
6	839-0533	Filter BD IO B
101		Nylatch Grommet
102		Nylatch Plunger
201		S-Tite Screw PH W/T
202		S-Tite Screw FH

Seat Assembly UR

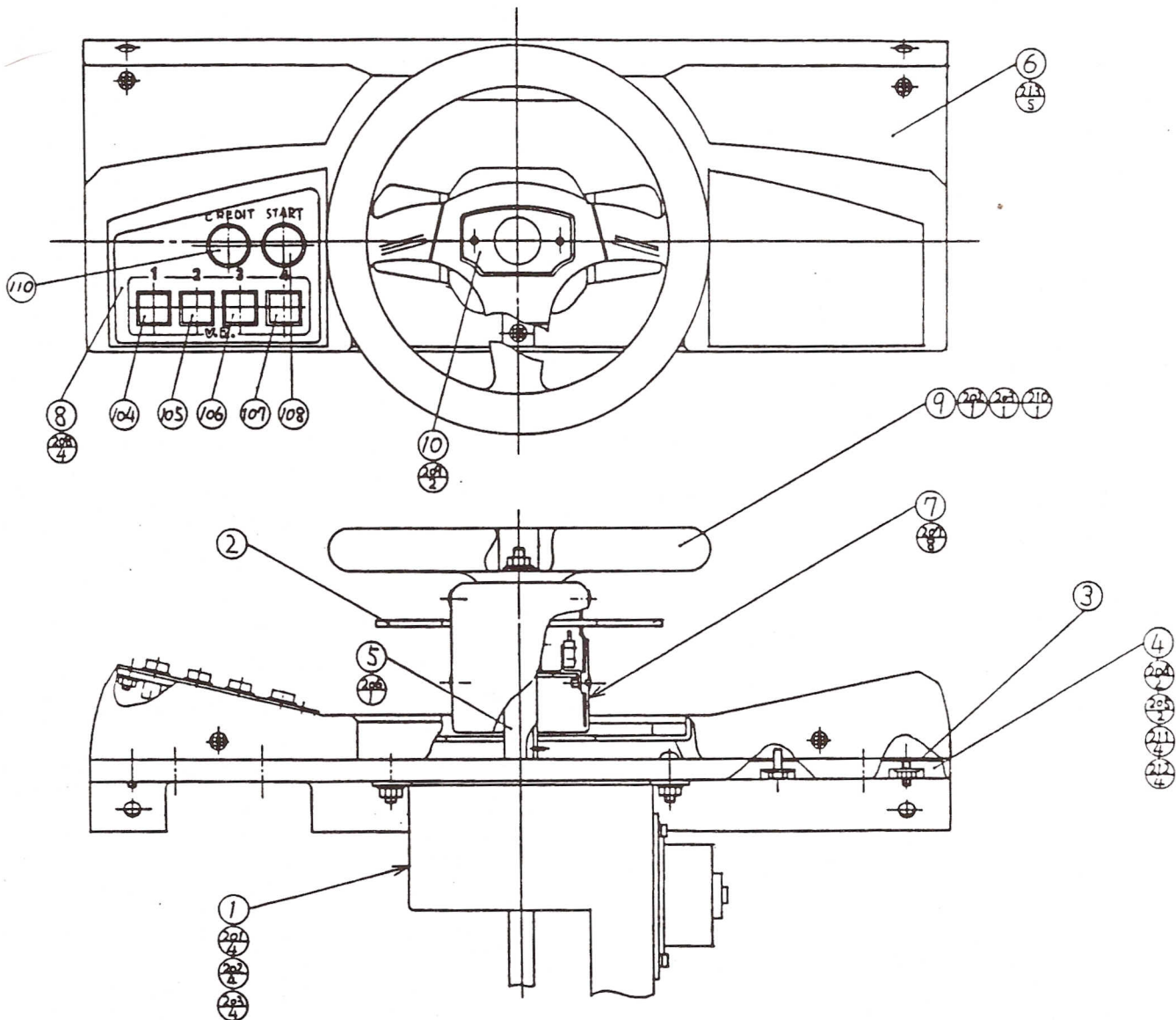


Item #	Part Number	Qty	Description
1	390-5273	1	8" Circular Fluorescent Lamp 22w
2	999-0181	2	Cabinet Joint Channel
3		8	1/4 x 20 x 2" Phillips Flat Head
4	999-0165	1	Decal "Sega"
5	999-0184	1	Edge Bracket
6	999-0164	1	Decal Engine-Left
7	999-0164A	1	Decal Engine-Right
8		1	Black Vinyl Mat
9	999-0185	1	Seat Header Marquee Glass
10		1	Aluminum Kick Plate
11		1	Aluminum Base Plate

**Control Panel with
Cover Mars
Assembly
(BVG-13005)**

ITEM NO.	PART NO.	DESCRIPTION
1	BVG-1350	Handle Mecha Assembly
2	BVG-1353X	Butterfly Shift Assembly
3	BVG-1370	Control Panel N Blank
4	BVG-1371	Control Wood Panel N
5	BVG-1334	Handle Collar
6	BVG-1356	Control Panel Outer
7	BVG-1352	Shift Cover
8	BVG-1358A	SW Plate Mars
9	RDM-2001	Steering Wheel
10	BVG-1212	Steering Emblem BVG
101	601-0460	Plastic Tie Belt 100mm
102	280-5225	Cord Clamp 21
103	280-0419	Harness Lug
104	509-5445-RE	SW PB RED 26 x 32 with Lamp
105	509-5445-BL	SW PB BLUE 26 x 32 with Lamp
106	509-5445-YE	SW PB YELLOW 26 x 32 with Lamp
107	509-5445-GR	SW PB GREEN 26 X 32 with Lamp
108	509-5218	Push Button SW IT Yellow with Lamp
109	310-5033-15-040	Spilal Tube ø15 040CM
201	031-0830	CRG BLT M8 X-30
202	050-0008	Hex Nut M8
203	061-0008	SPR Washer M8
204	050-0006	Hex Nut M6
205	069-0002	Flat Washer 6.5-19 x 1.2
206	028-0019	Set Screw Hex Socket Cp Unbr M4 x 8
207	008-0410	Tamperproof Screw TH M4 x 10
208	051-0004	Flag Nut M4
209	008-0416	Tamperproof Screw TH M4 x 16
210	069-0007	Flat Washer 4.4-16 x 1.6
211	000-0416	M Screw PH M4 x 16
212	069-0007	Flat Washer 4.4-16 x 1.6
213	029-0119	Tamperproof Screw TH Chrome M4 x 12
301	600-6190-41	Wire Harn. Start SW
302	600-6190-42	Wire Harn. View SW
303	600-6190-43	Wire Harn. View Lamp
304	600-6190-135	Wire Harn. Handle Earth
305	600-6190-149	Wire Harn. Mars 5

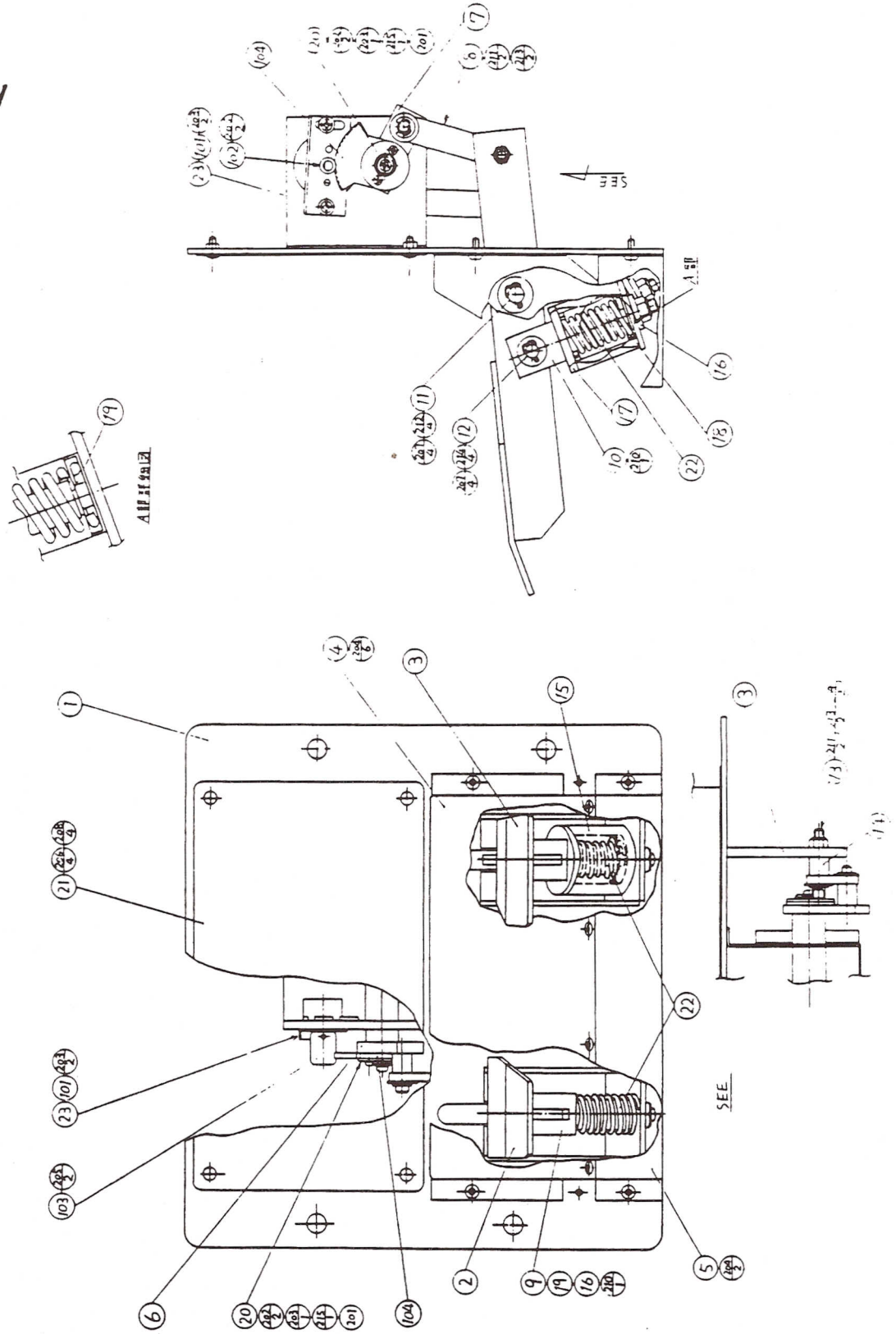
**Control Panel with
 Cover Mars
 Assembly**



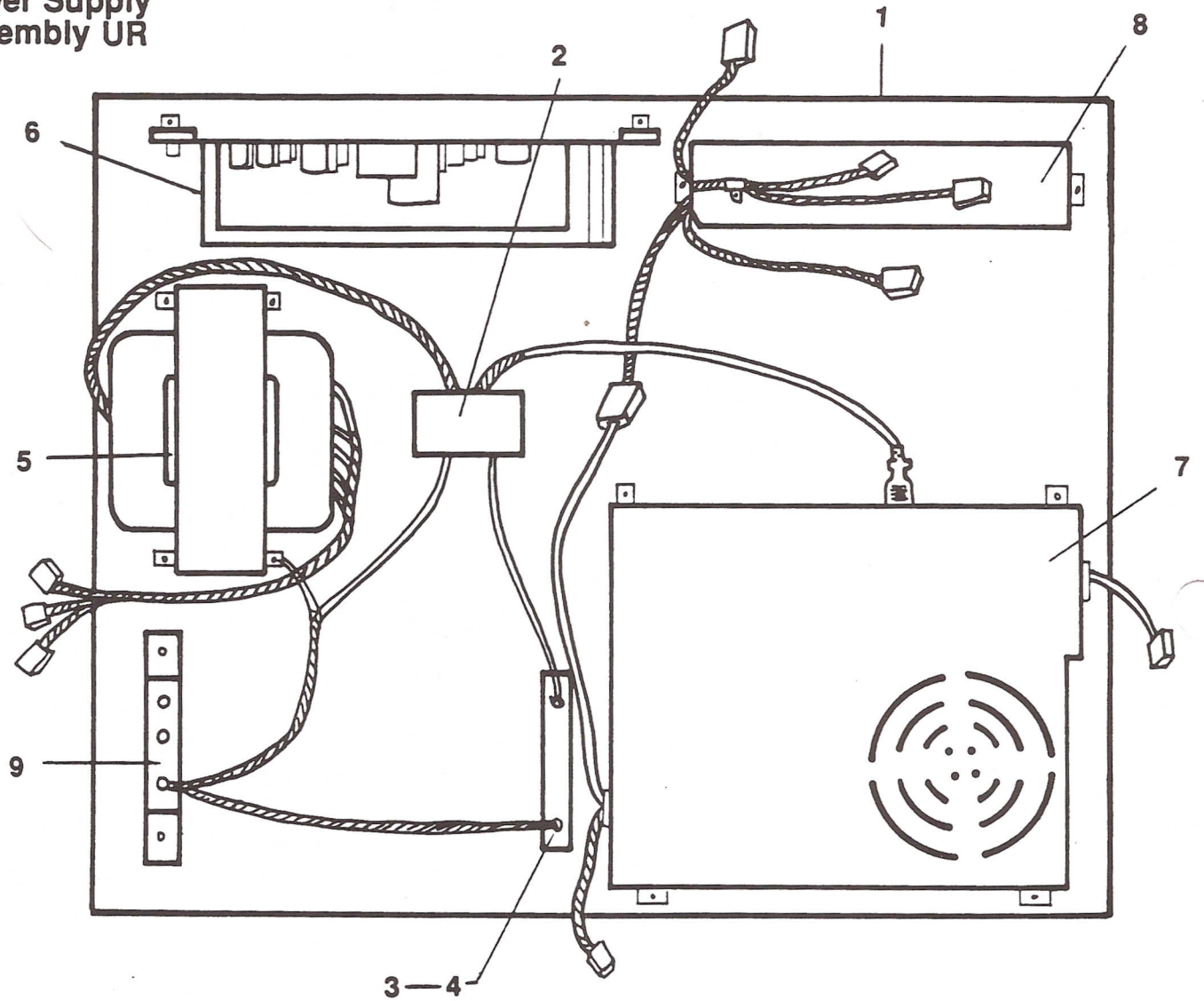
Accelerator & Brake Assembly

ITEM NO.	PART NO.	DESCRIPTION
1	BVG-1420X	Foot Pedal Base
2	BVG-1421	Accelerator Pedal
3	BVG-1422	Brake Pedal
4	BVG-1423	Pedal Cover Front
5	BVG-1424	Pedal Cover Rear
6	BVG-1425	Accelerator Swing Arm
7	BVG-1426	Brake Swing Arm
8	BVG-1427	Link Rod
9	BVG-1428	Accelerator Joint
10	BVG-1429	Brake Joint
11	BVG-1430	Pedal Shift
12	BVG-1431	Joint Shaft
13	BVG-1432	Pedal Pin
14	BVG-1433	Collar
15	BVG-1434	Stopper Rubber
16	BVG-1435	Stopper Plate
17	BVG-1436	Rubber Plate A
19	BVG-1438	Washer
20	BVG-1439	Gear Plate
21	BVG-1440	Pedal Base Protector
22	BVG-1441	Comp. Spring
23	BVG-1442	VR Bracket
101	220-5130	Volume Control B-5K ohm
102	601-5410	Gear 15 π6
103	601-5943	Gear 20 ø15
104	601-6005	Adjustment Gear
105	601-0460	Plastic Tie Belt 100mm
106	310-5029-F20	Sumitube F F20mm
201	069-0143	Flat Washer Special IO 1-14 x 0.2
202	000-0310-S	M Screw PH W/S M3 x 10
203	000-0410-FS	M Screw PH W/S M4 x 10
204	008-0406	Tamperproof Screw TH M4 x 6
205	028-0001	Set Screw Hex Socket CP Unbr M3 x 4
206	039-0060	CRG BLT STENLESS M4 x 10
207	045-0032	Cot Pin 2 x 18
208	050-0004	Hex Nut M4
209	054-0006	U Nut M6
210	054-0008	U Nut M8
211	060-0008	Flat Washer M8
212	060-0010	Flat Washer M10
213	060-0007	E Ring 7mm
214	069-0149	Flat Washer BLK 8.5-17 x 1.2
215	069-0106	Flat Washer 4.4-12 x 1.6
301	600-6190-38	Wire Harn. Accelerator VR
302	600-6190-39	Wire Harn. Brake VR
303	600-6190-134	Wire Harn. Accelerator/Brake Earth

Accelerator & Brake Assembly



Power Supply Assembly UR



ITEM NO.	DESCRIPTION
1	Wooden Base
2	10A Line Filter
3	Fuse Holder
4	7A Fuse
5	Transformer
6	Audio Amp with Loudness
7	Powermaster III Power Supply
8	Mighty Power Power Supply
9	Ground Bracket

Wire Color Code Table

The wire color code is as follows:

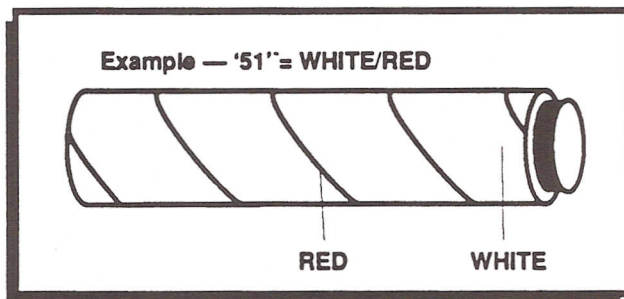
A	Pink
B	Sky Blue
C	Brown
D	Purple
E	Light Green

Wires other than those of any of the above 5 single colors will be displayed by 2 alphanumeric characters.

1	Red
2	Blue
3	Yellow
4	Green
5	White
7	Orange
8	Black
9	Gray

If the right-hand side numeral of the code is 0, then the wire will be of a single color shown by the left-hand side numeral (see the above).

Note 1: If the right-hand side alphanumeric is not 0, that particular wire has a spiral color code. The left-hand side character show the base color and the right-hand side one, the spiral color.



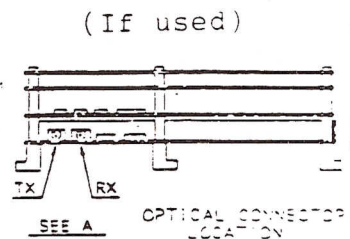
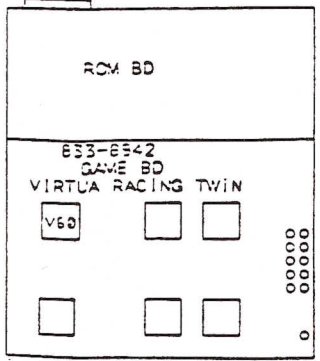
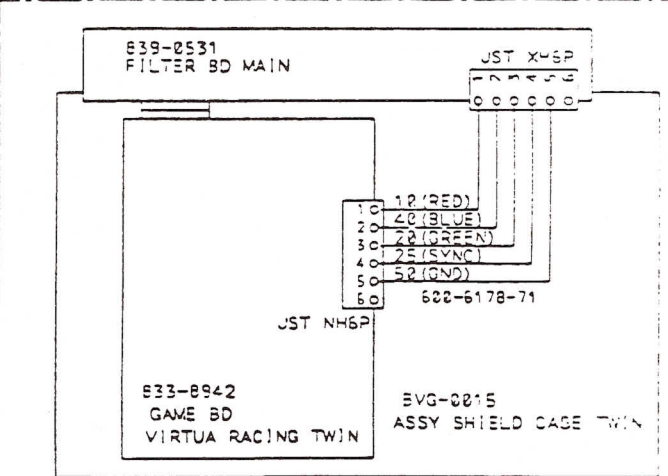
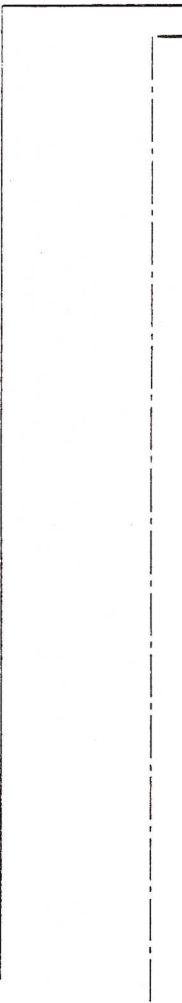
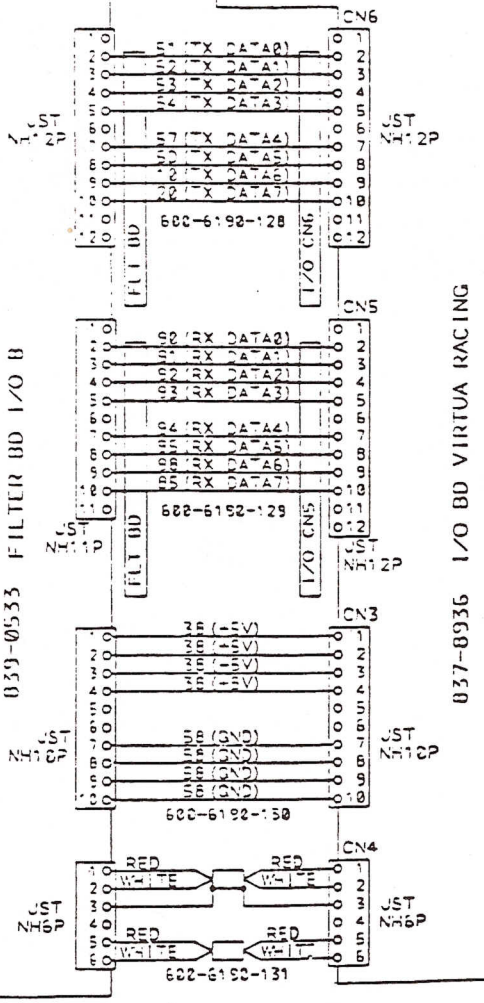
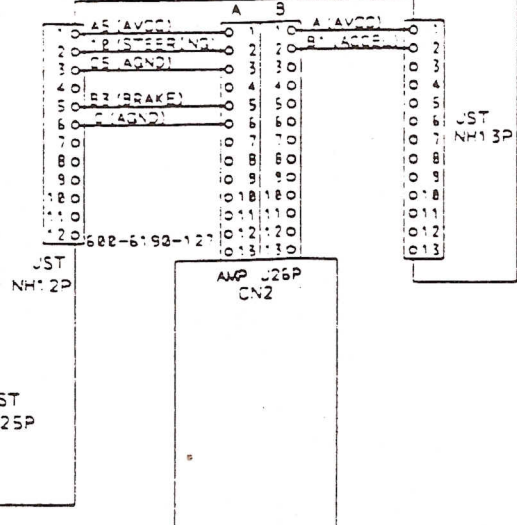
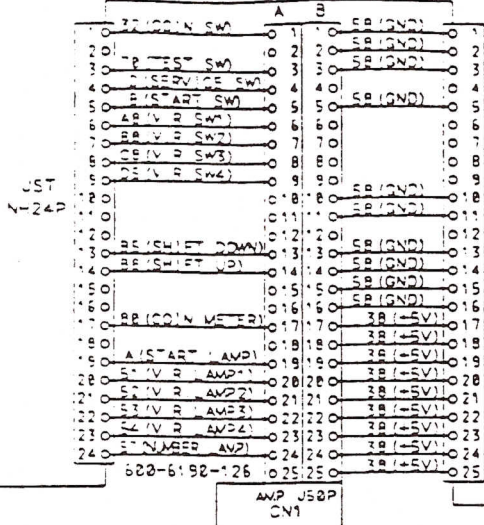
Note 2: The character following the wire color code indicates the size of the wire.

K: A W G 18, U L 1015

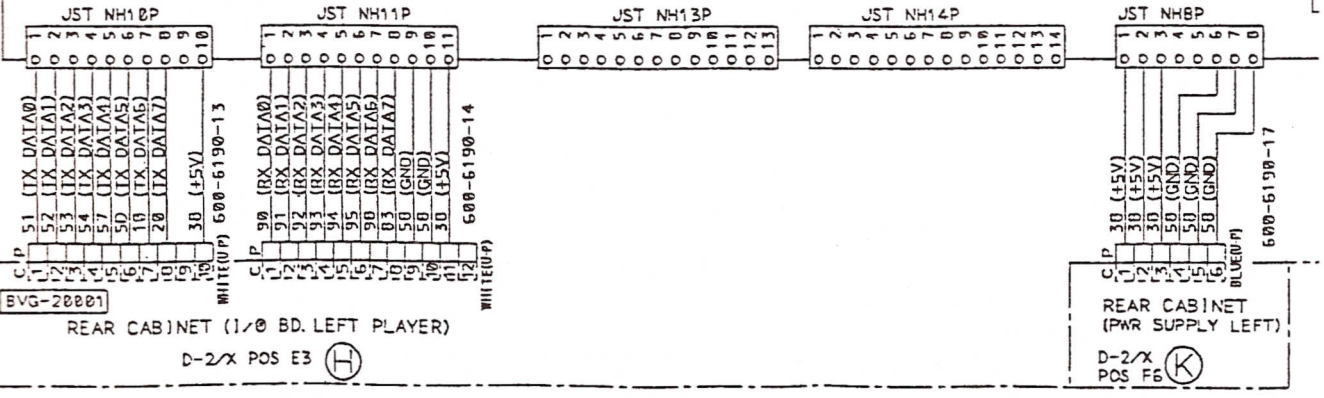
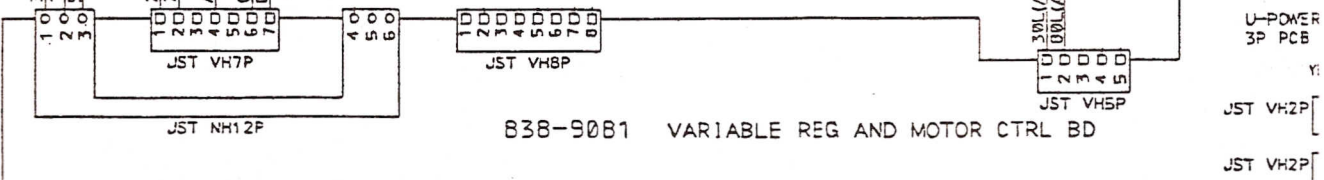
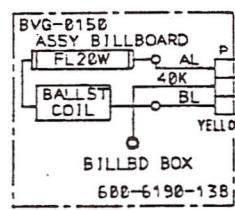
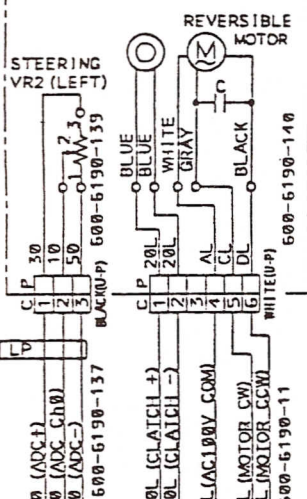
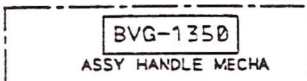
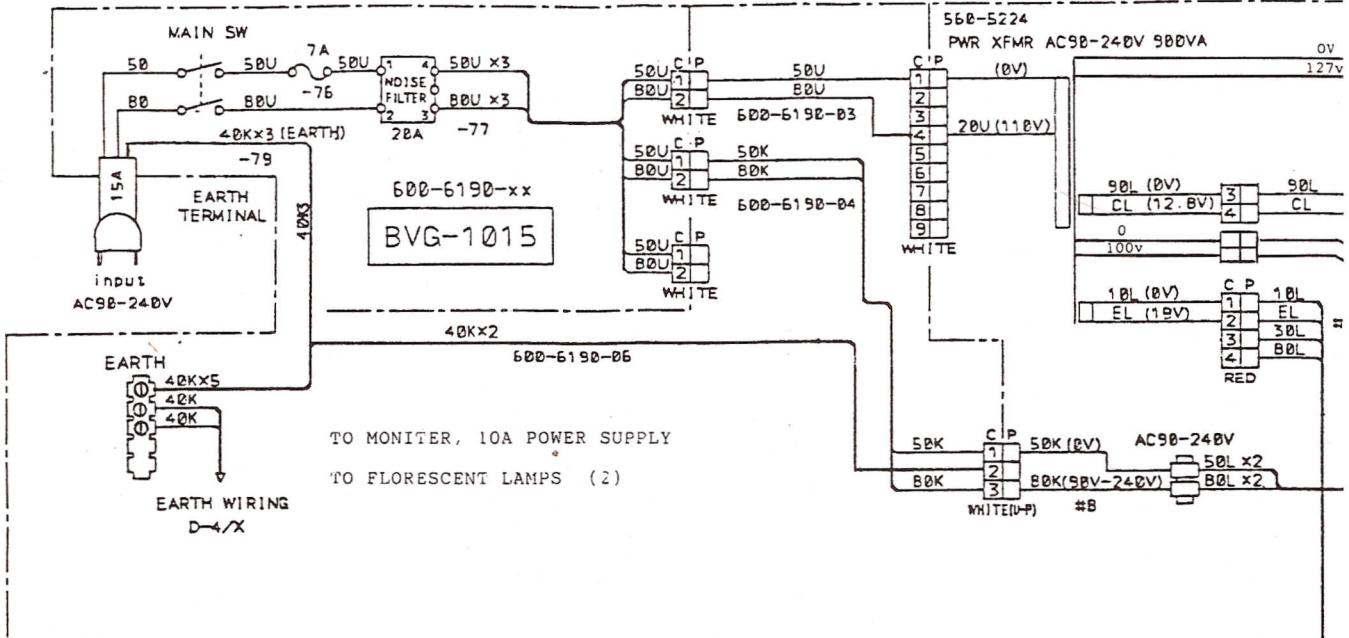
L: A W G 20, U L 1007

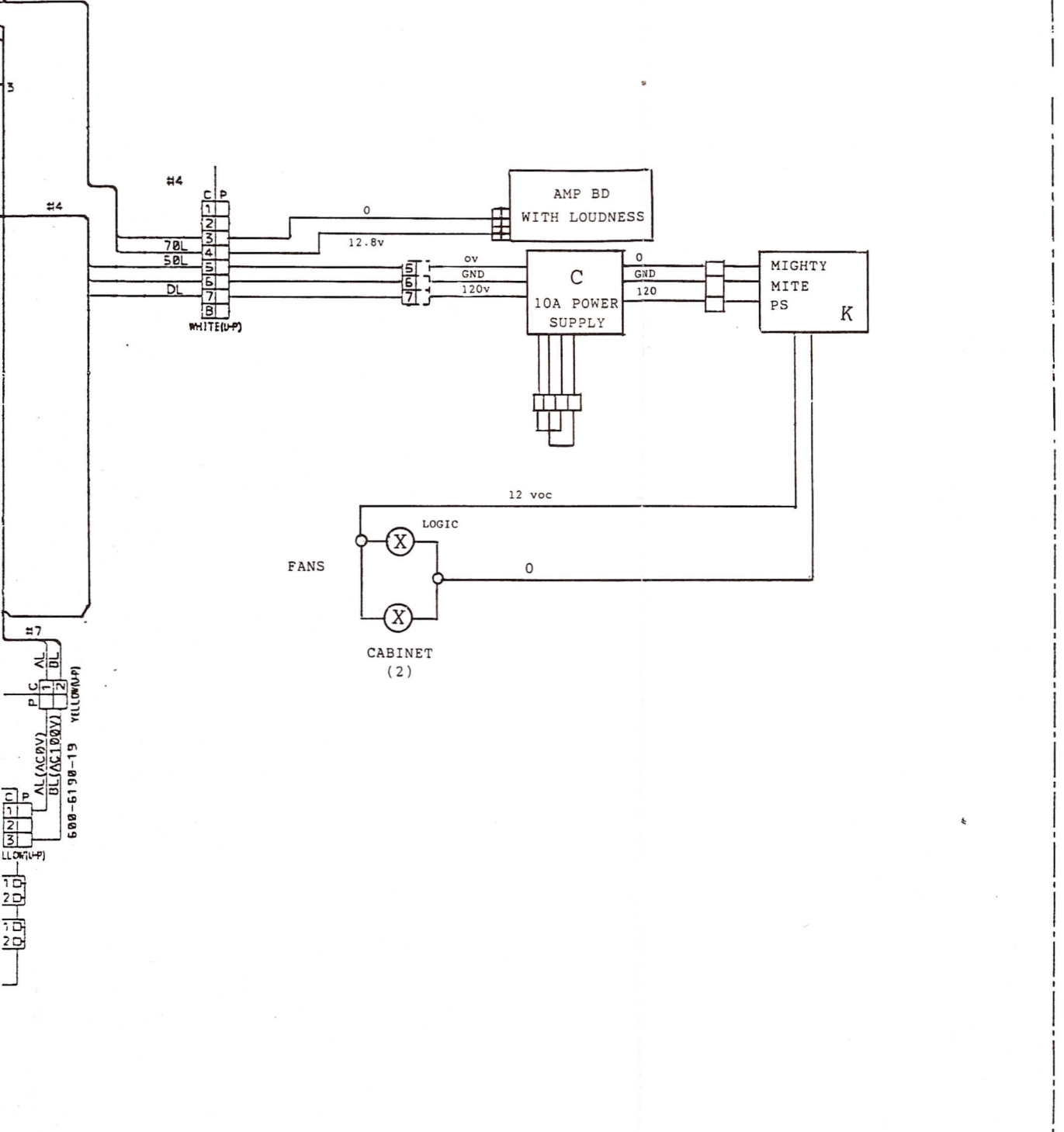
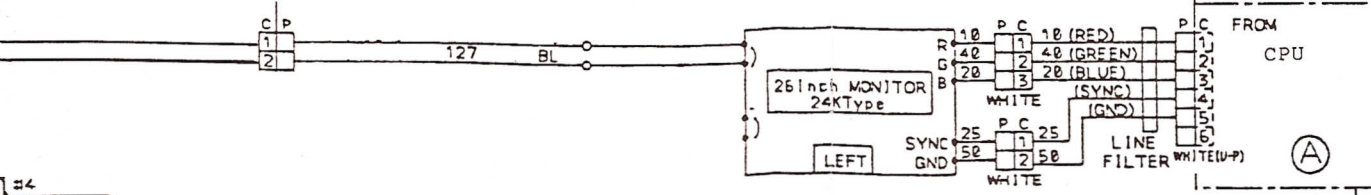
None: A W G 22, U L 1007

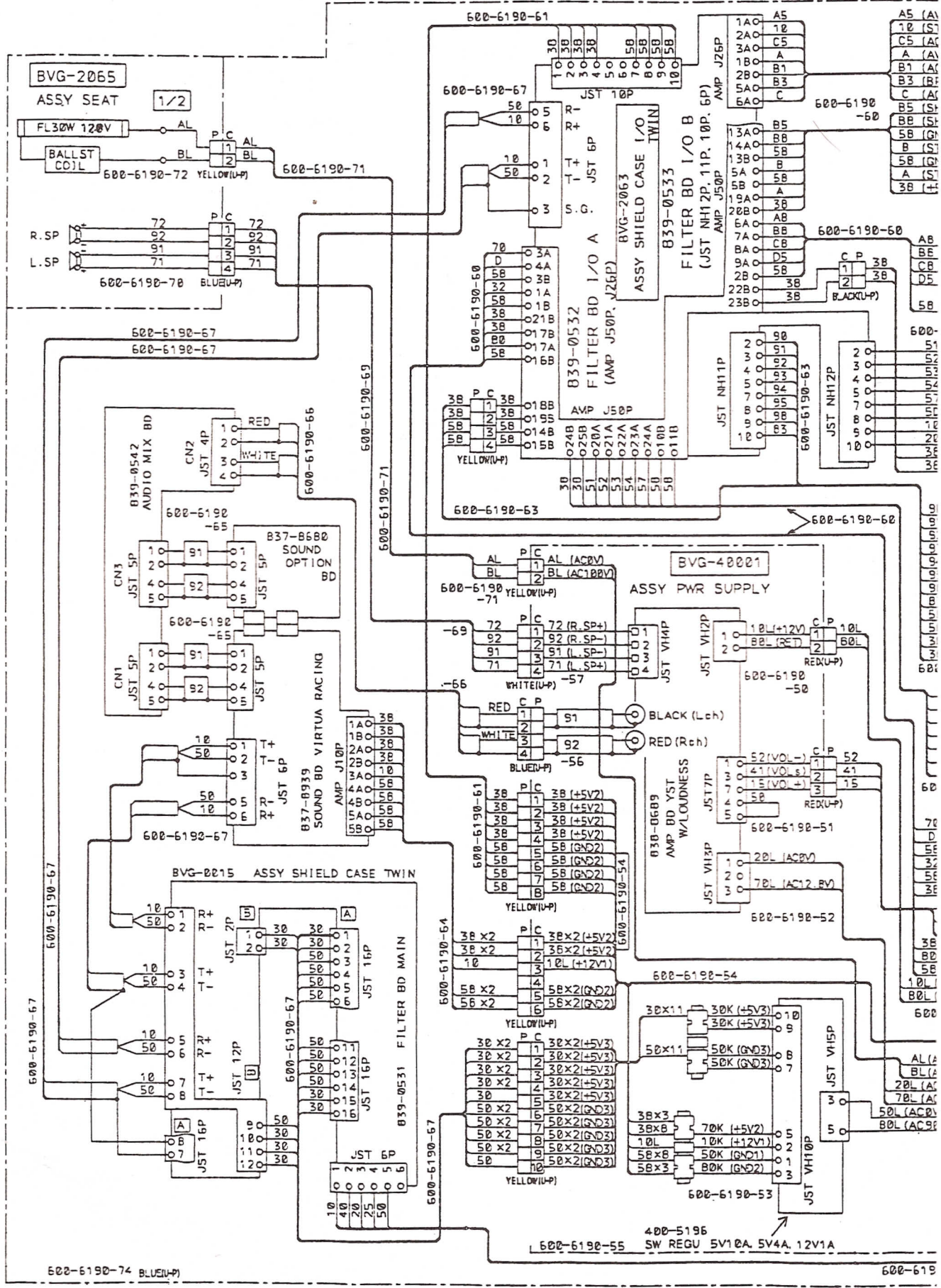
839-2532 FILTER BD I/O A



SEE A



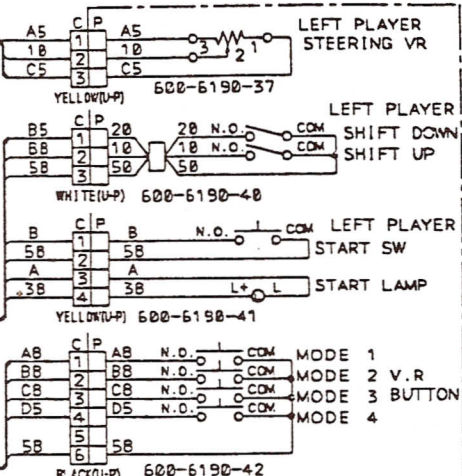
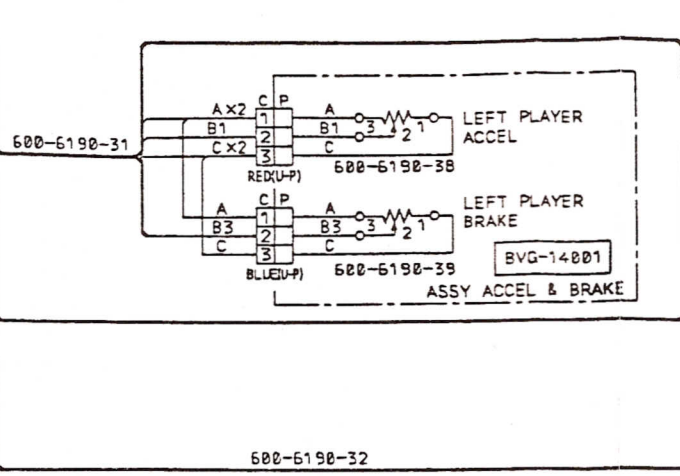




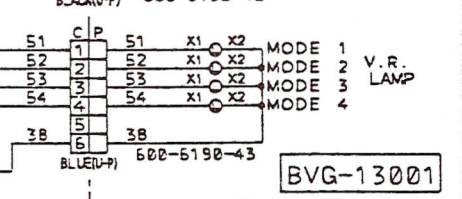
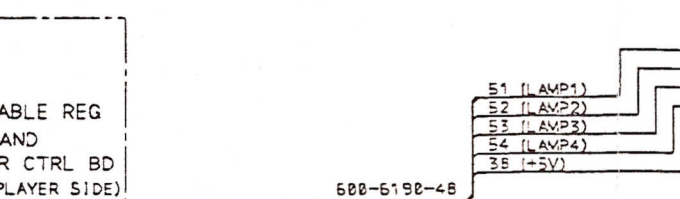
600-6190-74 BLUE(U-P)

600-619

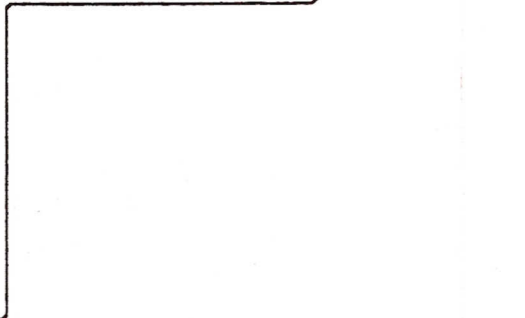
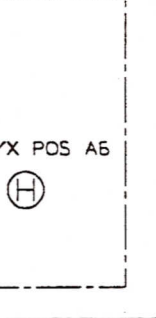
(CC)	C	P	A5
(FEERING)	1	10	
(ND)	2	C5	
(CC)	3	A	
(CEL)	4	B1	
(AKE)	5	B3	
(ND)	6	C	
(IFT DOWN)	7	B5	
(IFT UP)	8	BB	
(D)	9	5B	
(ART SW)	10	B	
(ART LAMP)	11	5B	
(V)	12	A	
	13	3B	
	14		
	15		



(VR SW1)	C	P	AB
(VR SW2)	1	BB	
(VR SW3)	2	CB	
(VR SW4)	3	D5	
(GND)	4	5B	

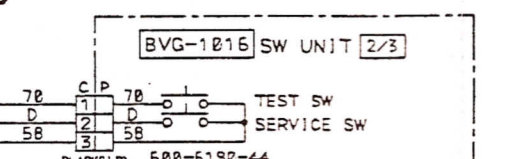
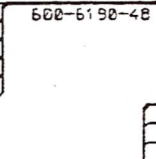


(TXDATA8)	C	P	
(TXDATA1)	1		
(TXDATA2)	2		
(TXDATA3)	3		
(TXDATA4)	4		
(TXDATA5)	5		
(TXDATA6)	6		
(TXDATA7)	7		
(+5V)	8		
(+5V)	9		

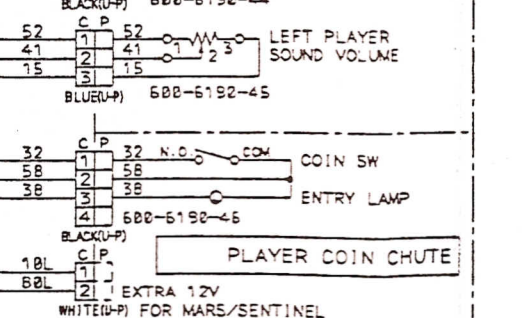
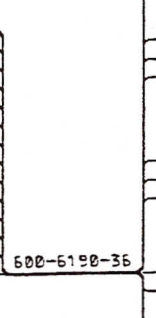


(RXDATA8)	C	P	
(RXDATA1)	1		
(RXDATA2)	2		
(RXDATA3)	3		
(RXDATA4)	4		
(RXDATA5)	5		
(RXDATA6)	6		
(RXDATA7)	7		
(GND)	8		
(GND)	9		
(+5V)	10		
(+5V)	11		
(+5V)	12		

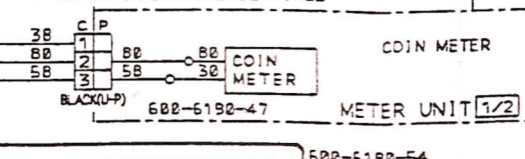
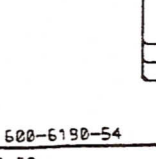
(+5V)	C	P	3B X2
(LAMP1)	1	51	
(LAMP2)	2	52	
(LAMP3)	3	53	
(LAMP4)	4	54	
(LAMP5)	5	57	
(GND)	6		
(GND)	7		



(TEST)	C	P	70
(SERVICE)	1	D	
(GND)	2	5B	
(COIN SW)	3	32	
(GND)	4	5B	
(+5V)	5	3B	
(Vol-)	6	52	
(Vol+)	7	41	
(Vol+)	8	15	
(+5V)	9	3B	
(Coin Meter)	10	80	
(GND)	11	5B	
(EX+12V)	12	10L	
(EX+12VRET)	13	80L	
(GND)	14		
(GND)	15		



(20V)	C	P	
(210V)	1		
(0V)	2		
(12.8V)	3		
(-240V)	4		



(10)	C	P	
(40)	1		
(20)	2		
(25)	3		
(50)	4		
(5)	5		
(75)	6		

