

SEGA

Original Printing 7/20/99-Reprint 1/31/00
SERVICE BULLETIN

SEGA Service Department
 45133 Industrial Drive
 Fremont, Ca. 94538

<http://www.seuservice.com>
 Phone: 415.701.6580
 Fax: 415.701.6594

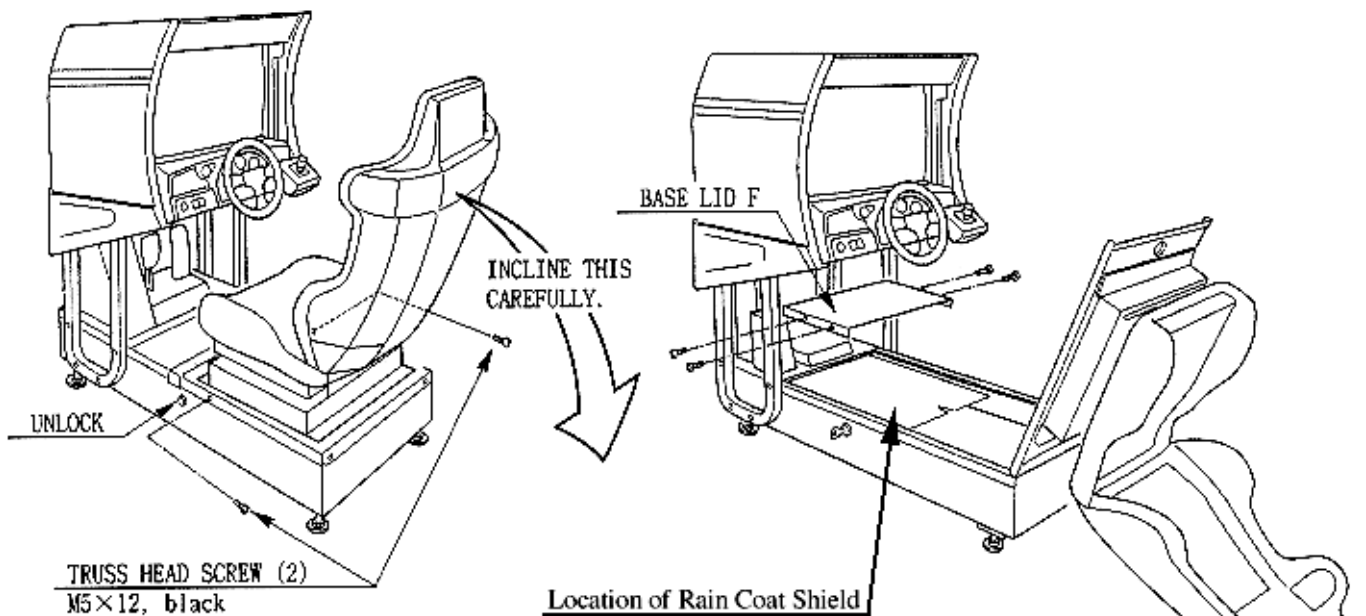
!!! IMPORTANT !!!

This Safety Bulletin Applies to Crazy Taxi STD configuration only.

PROBLEM: Protective cover (Raincoat) may have shifted during shipment. Rendering it ineffective against spillage.

SOLUTION: Open game and expose game board. The Rain Coat protective covering should be securely fastened over the game board, tucked under the foot pedal assy. Refer to the pictures provided below. Reposition the Rain Coat and reassemble the cabinet.

NOTE: Failure to check machine may result in unwanted liquid entry and PCB failure.



Note: The Rain Coat Shield **MUST** be in place to prevent damage to interior components, such as Main Board, Power Supply, Drive BD. etc..., from water leakage and/or dirt.

If you have any questions please contact the SEGA Service Department at the numbers given above.