



SA, CLUB RAVE KIT installation Manual

KIT INCLUDES

Display box (1 set)



Marquee, Club Rave (1 pc)



FISH WIRE, L=18.5" (1 pc)



Extension Cable, 5.6VAC line,
5F 4", (1 pc)



Wire tie, 2 kinds (4 pcs)



AC Line Harness (1 pc)



Wood screw (2 pcs)



Installation Manual (1 pc)



Bulb, Blue (56 pcs)



Terminal, CE-3 (4 pcs)



NOTE: We recommend to install this KIT in a Regular Sports Arena with a Metal Glass Door.

NECESSARY TOOLS

Please prepare following tools for this KIT installation

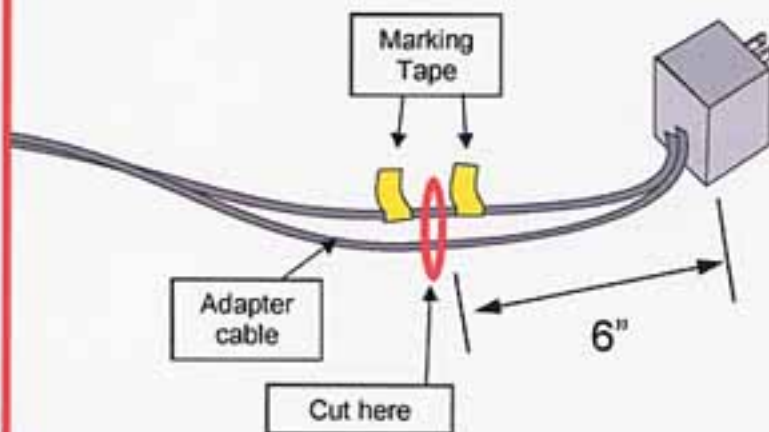
- ◆ Philips Screw Driver
- ◆ Wire Cutter
- ◆ Wire Stripper
- ◆ Terminal Clamp
- ◆ Drill (11/32" dia. Drill bit)
- ◆ Tamper proof Wrench

INSTALLATION

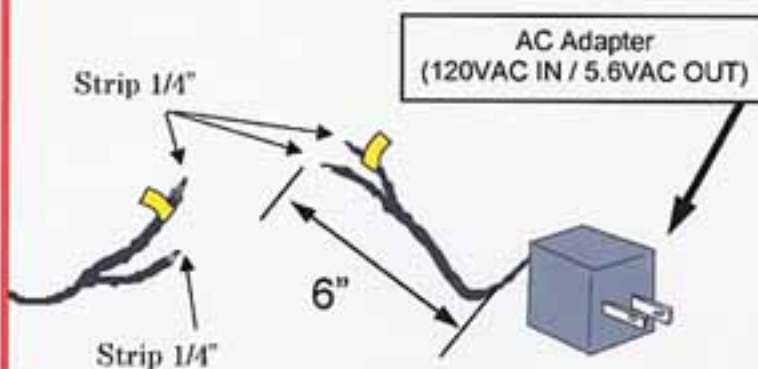
- 1) Extend AC Adapter cable of DISPLAY BOX before installing it. Refer below.



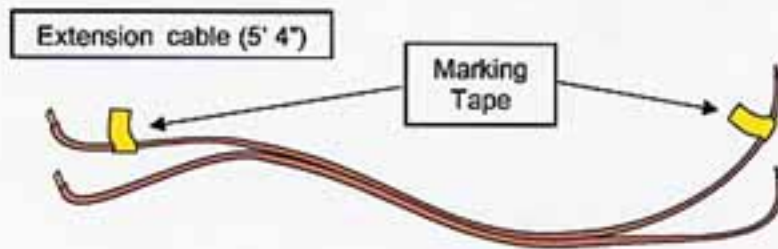
- a) Split Adapter cable in half. Use tape to mark one of the wires then cut at 6" length.



- b) Strip both wires about 1/4".



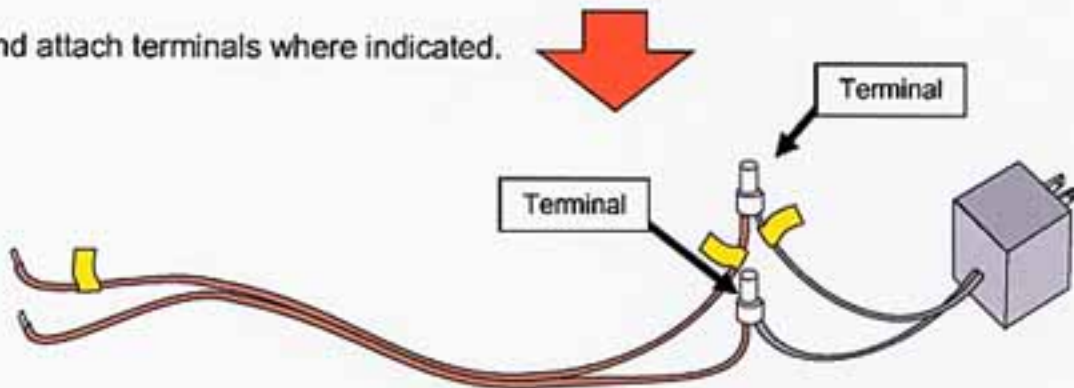
c) Split both sides of extension cable then Mark both sides of one wire with tape.



d) Use 2 Electric terminals to add 5' 4" of Extension cable to AC adaptor. Do not remove Marking tape.

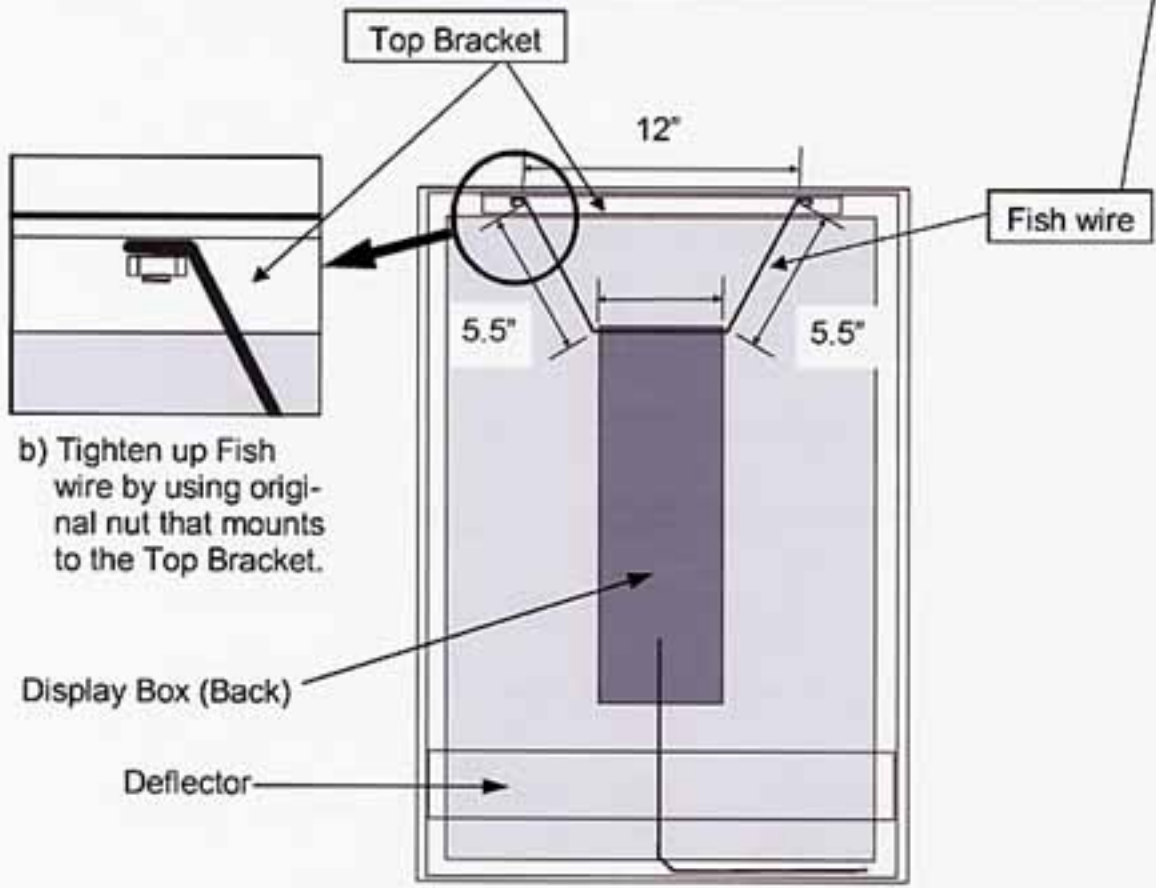
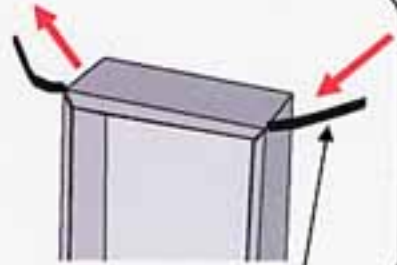


e) And attach terminals where indicated.



2) Mount DISPLAY BOX to Metal Glass Door. Refer below.

a) Pass the Fish wire through the top edge of Display Box. Refer below dimensions to make same length of Fish wire to hang the display box on top screw of front door.

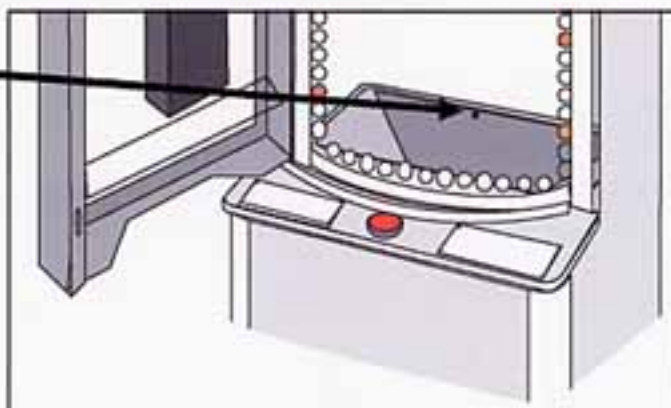


b) Tighten up Fish wire by using original nut that mounts to the Top Bracket.

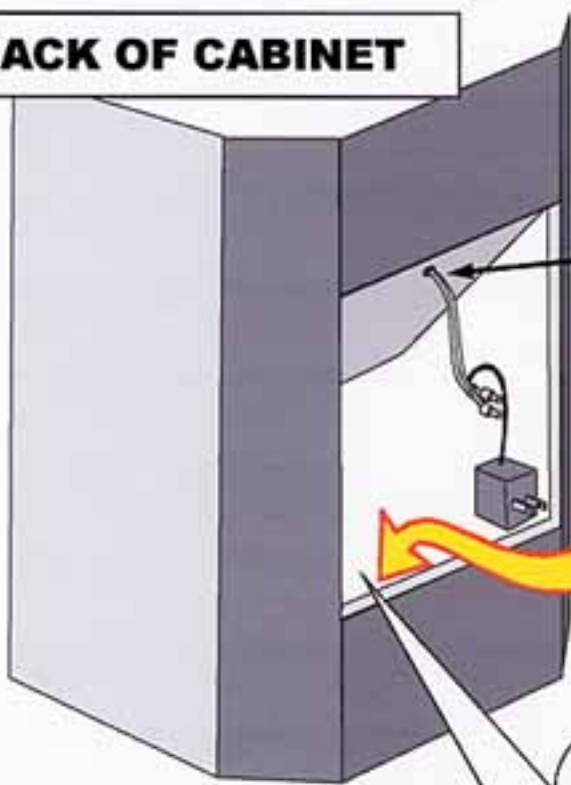
Back view of Metal Glass Front Door

3) Wire DISPLAY BOX to cabinet. Refer below.

a) Drill a 11/32" hole in middle top edge of Prize Chute.



BACK OF CABINET

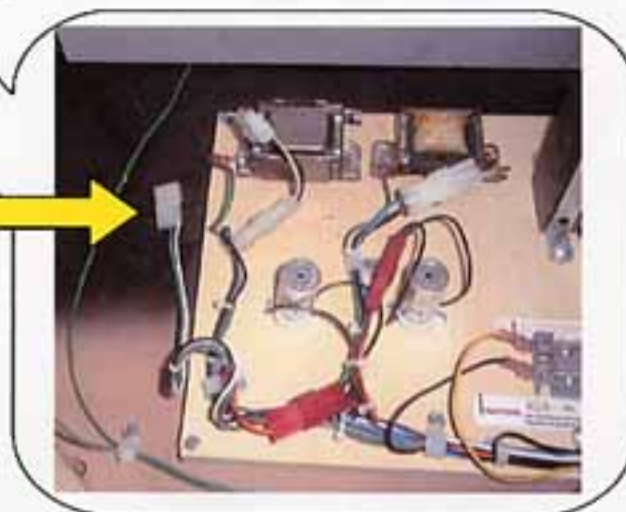


b) Pass Adaptor cable through here.



c) Connect AC Line Harness to 3 position connector that is located at bottom of cabinet.

NOTE:
DBA AE2451 power line is connected if your cabinet already has DBA on the game. Disconnect DBA power line and connect AC Line harness here. Refer to next page.

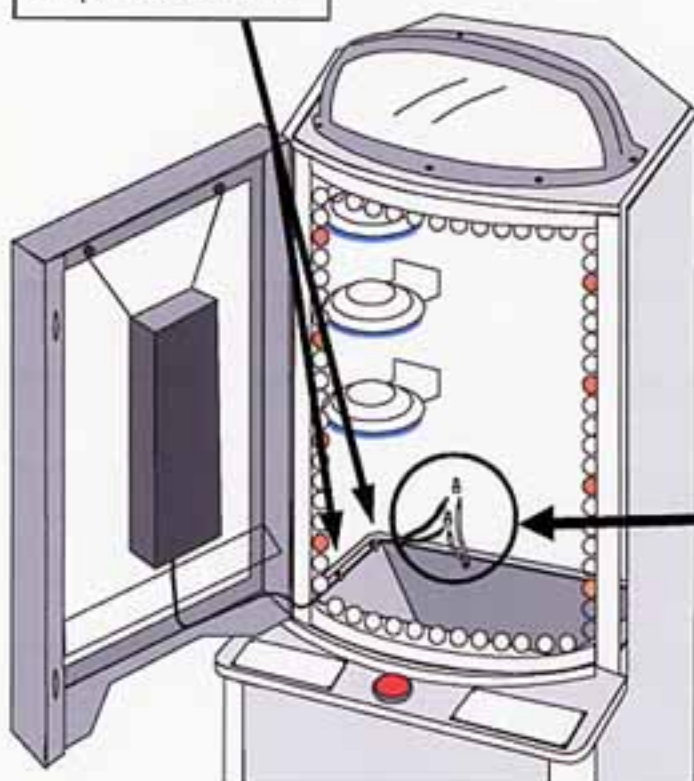


NOTE:
Connect DBA AE2451 U3E to here if you have DBA already on the game.

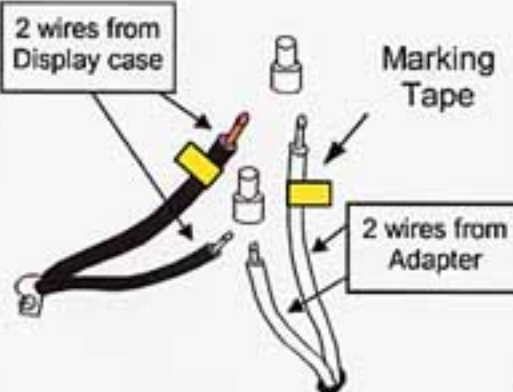
3 position connector
(Option. 120VAC out)



d) Use Wire tie & Screw to mount AC Adapter wire here.



e) Then connect 2 wires of Adapter to 2 wires of Display case. Connect 2 wires that has Marking tape.



4) Exchange Clear Bulbs to Blue Bulbs.

CLUB RAVE KIT includes 56 pcs of Blue Bulbs. Remove 56 pcs of Clear Bulbs from game and add New Blue Bulbs there. **Do not remove any RED Bulbs.**

5) Exchange Marquee.

- Take off 5 Tamper Torx screws from bottom of Marquee Cover with Tamper Torx Wrench (T-10).
- Take off 1 Philips screw from top of Marquee Cover.
- Take off 3 screws from the Clear Marquee Plate.
- Tap **CLUB RAVE** marquee on behind the Clear Marquee Plate.
- Replace all removed parts.

