

NOTE :
 Use this page only if
 VTS-SRT-TWIN Board is
 fitted in coinchute tower.
 Alternatively, turn to NEXT
 page.

8 BLACK	E LIGHT GREEN	50L WHITE AWG20
7 ORANGE	D PURPLE	51 WHITE RED
6 WHITE	C BROWN	50 WHITE
5 GREEN	B SKY BLUE	EXAMPLE
4 BLUE	A PINK	U AWG16 UL1015
3 YELLOW	9 GRAY	K AWG18 UL1015
2 BLUE		L AWG20 UL1015
1 RED		M AWG22 UL1007

DRAWN	CHECKED	D CHECKED	APPROVED
MT			
02/12/99			

SEGA SEGA ENTERPRISES, LTD. THIS DRAWING WILL IN NO WAY BE COPIED.
 TO BE RETURNED ON DEMAND.

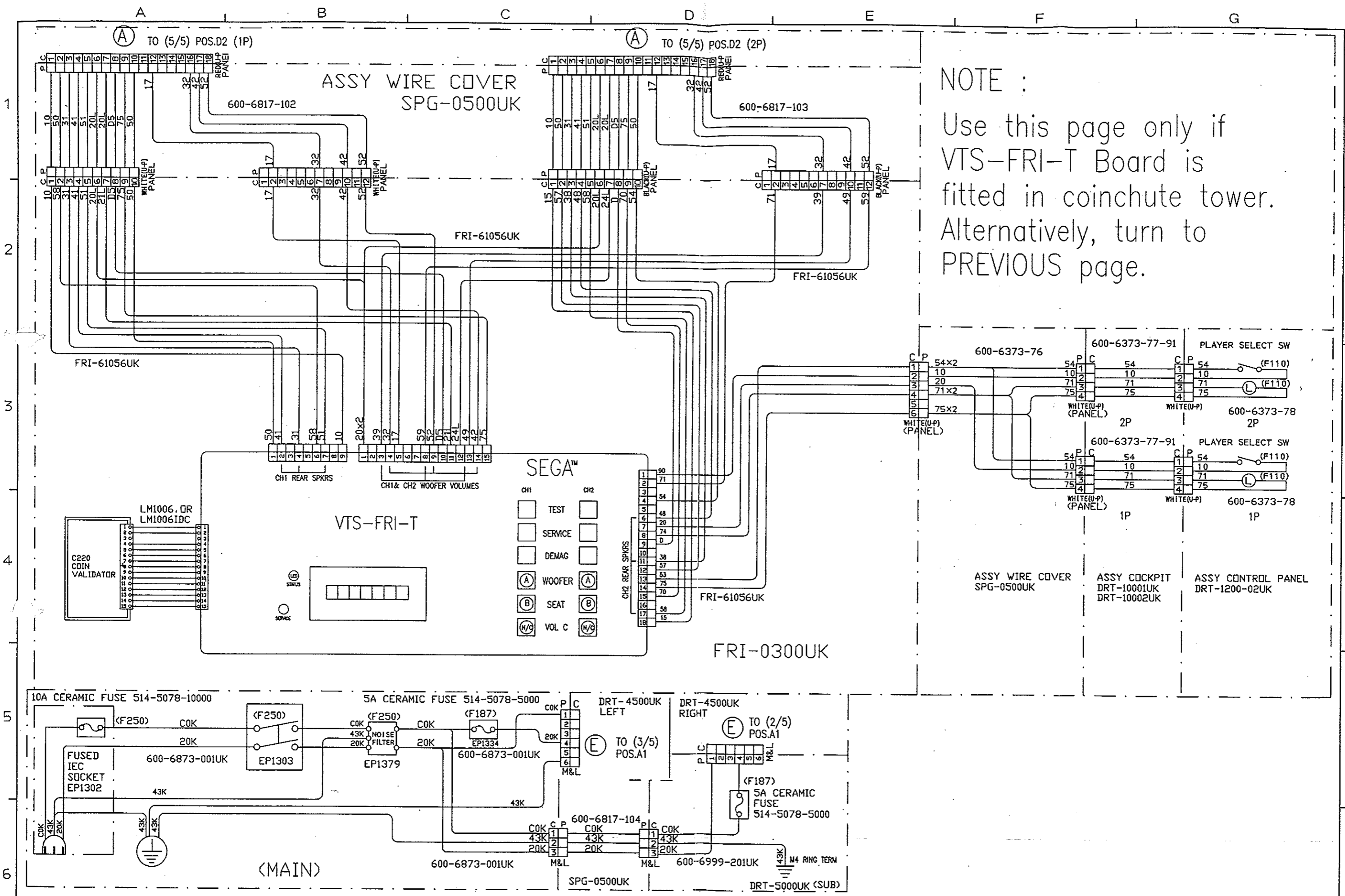
FERRARI CHALLENGE

FRI-00001UK

FRI-TWSCM-1/5

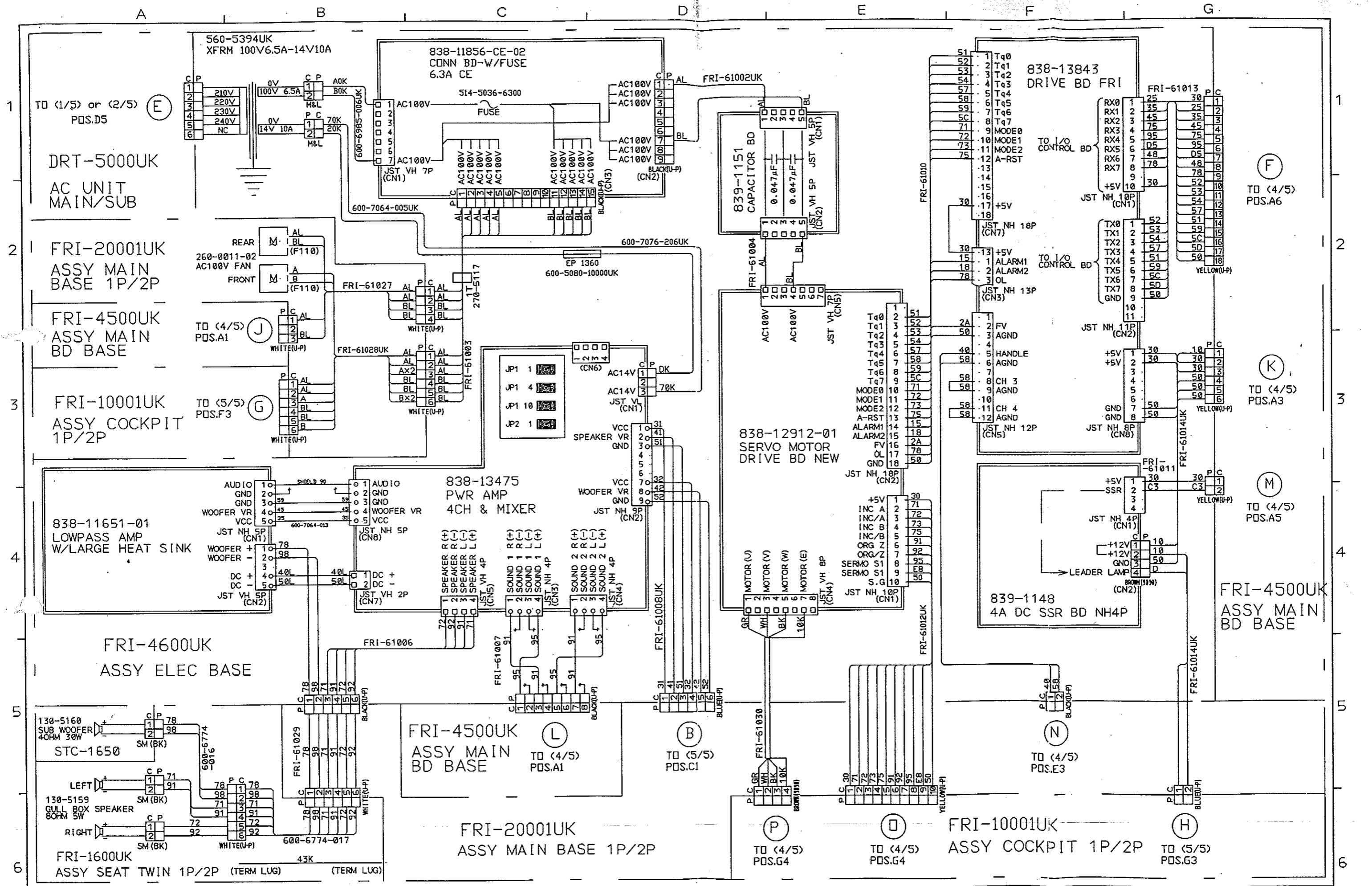
DESCRIPTION

DIAGRAM No.



NOTE :
 Use this page only if
 VTS-FRI-T Board is
 fitted in coinchute tower.
 Alternatively, turn to
 PREVIOUS page.

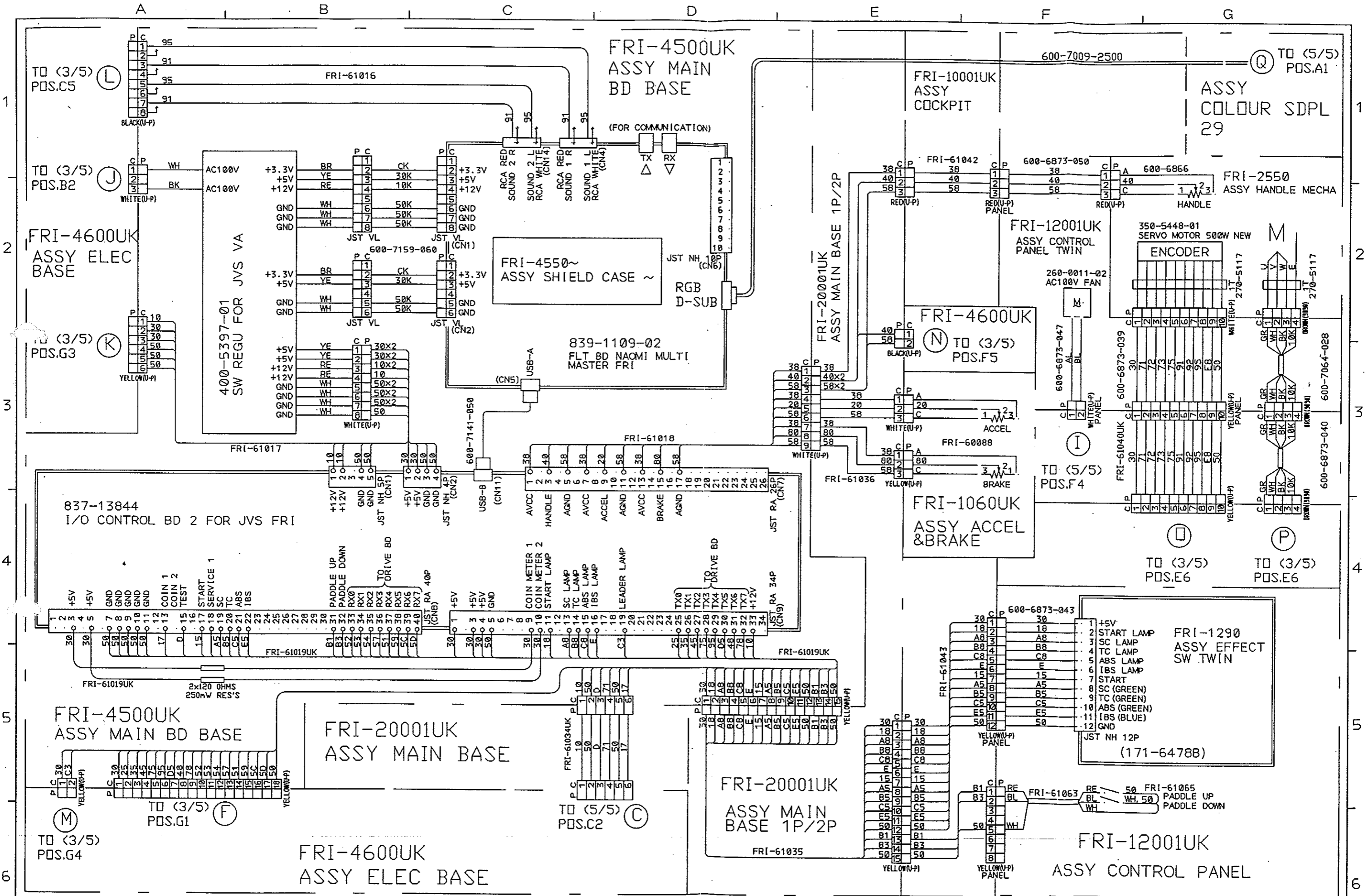
<table border="1"> <tr><td>8</td><td>BLACK</td><td>E</td><td>LIGHT GREEN</td><td>50L</td><td>WHITE AWG20</td></tr> <tr><td>7</td><td>ORANGE</td><td>D</td><td>PURPLE</td><td>51</td><td>WHITE RED</td></tr> <tr><td>5</td><td>WHITE</td><td>C</td><td>BROWN</td><td>59</td><td>WHITE</td></tr> <tr><td>4</td><td>GREEN</td><td>B</td><td>SKY BLUE</td><td>U</td><td>AWG15 UL1015</td></tr> <tr><td>3</td><td>YELLOW</td><td>A</td><td>PINK</td><td>K</td><td>AWG18 UL1015</td></tr> <tr><td>2</td><td>BLUE</td><td>9</td><td>GRAY</td><td>L</td><td>AWG20 UL1007</td></tr> <tr><td>1</td><td>RED</td><td>8</td><td>GRAY</td><td>M</td><td>AWG22 UL1007</td></tr> </table>		8	BLACK	E	LIGHT GREEN	50L	WHITE AWG20	7	ORANGE	D	PURPLE	51	WHITE RED	5	WHITE	C	BROWN	59	WHITE	4	GREEN	B	SKY BLUE	U	AWG15 UL1015	3	YELLOW	A	PINK	K	AWG18 UL1015	2	BLUE	9	GRAY	L	AWG20 UL1007	1	RED	8	GRAY	M	AWG22 UL1007	<table border="1"> <tr><td>50L</td><td>WHITE AWG20</td></tr> <tr><td>51</td><td>WHITE RED</td></tr> <tr><td>59</td><td>WHITE</td></tr> <tr><td>U</td><td>AWG15 UL1015</td></tr> <tr><td>K</td><td>AWG18 UL1015</td></tr> <tr><td>L</td><td>AWG20 UL1007</td></tr> <tr><td>M</td><td>AWG22 UL1007</td></tr> </table>		50L	WHITE AWG20	51	WHITE RED	59	WHITE	U	AWG15 UL1015	K	AWG18 UL1015	L	AWG20 UL1007	M	AWG22 UL1007	<table border="1"> <tr><td>USED IN ASSY</td><td>DRAWN</td><td>CHECKED</td><td>D CHECKED</td><td>APPROVED</td></tr> <tr><td>FRI-00001UK</td><td>MT</td><td></td><td></td><td></td></tr> <tr><td>TOP-ASS'Y</td><td>02/12/99</td><td></td><td></td><td></td></tr> </table>		USED IN ASSY	DRAWN	CHECKED	D CHECKED	APPROVED	FRI-00001UK	MT				TOP-ASS'Y	02/12/99				<table border="1"> <tr><td colspan="2">SEGA SEGA ENTERPRISES, LTD. THIS DRAWING WILL IN NO WAY BE COPIED, TO BE RETURNED ON DEMAND.</td></tr> <tr><td colspan="2">FERRARI CHALLENGE</td></tr> <tr><td colspan="2">FRI-TWSCM-2/5</td></tr> </table>		SEGA SEGA ENTERPRISES, LTD. THIS DRAWING WILL IN NO WAY BE COPIED, TO BE RETURNED ON DEMAND.		FERRARI CHALLENGE		FRI-TWSCM-2/5	
8	BLACK	E	LIGHT GREEN	50L	WHITE AWG20																																																																															
7	ORANGE	D	PURPLE	51	WHITE RED																																																																															
5	WHITE	C	BROWN	59	WHITE																																																																															
4	GREEN	B	SKY BLUE	U	AWG15 UL1015																																																																															
3	YELLOW	A	PINK	K	AWG18 UL1015																																																																															
2	BLUE	9	GRAY	L	AWG20 UL1007																																																																															
1	RED	8	GRAY	M	AWG22 UL1007																																																																															
50L	WHITE AWG20																																																																																			
51	WHITE RED																																																																																			
59	WHITE																																																																																			
U	AWG15 UL1015																																																																																			
K	AWG18 UL1015																																																																																			
L	AWG20 UL1007																																																																																			
M	AWG22 UL1007																																																																																			
USED IN ASSY	DRAWN	CHECKED	D CHECKED	APPROVED																																																																																
FRI-00001UK	MT																																																																																			
TOP-ASS'Y	02/12/99																																																																																			
SEGA SEGA ENTERPRISES, LTD. THIS DRAWING WILL IN NO WAY BE COPIED, TO BE RETURNED ON DEMAND.																																																																																				
FERRARI CHALLENGE																																																																																				
FRI-TWSCM-2/5																																																																																				
ALTERATION		WIRE COLOR		DESCRIPTION		DIAGRAM No.																																																																														



8	BLACK	E	LIGHT GREEN	50	WHITE	AWG28
7	ORANGE	D	PURPLE	51	WHITE	RED
6	WHITE	C	BROWN	52	WHITE	
5	GREEN	B	SKY BLUE			
4	YELLOW	A	PINK			
3	RED		GRAY			
2						
1						

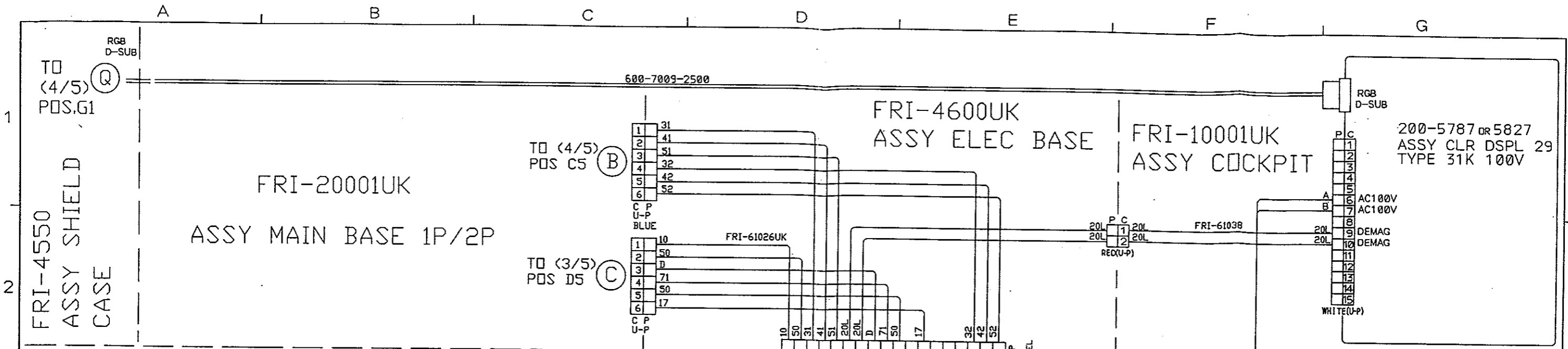
DRAWN: MT
 CHKD:
 DATE: 25/11/99
 PROJECT: FRI-00001UK
 TOP-ASS'Y

SEGA SEGA ENTERPRISES, LTD. THIS DRAWING WILL IN NO WAY BE COPIED. TO BE RETURNED ON DEMAND.
FERRARI CHALLENGE
 FRI_TWSCMT3/5
 DESCRIPTION: FRI-00001UK
 DIAGRAM No.:

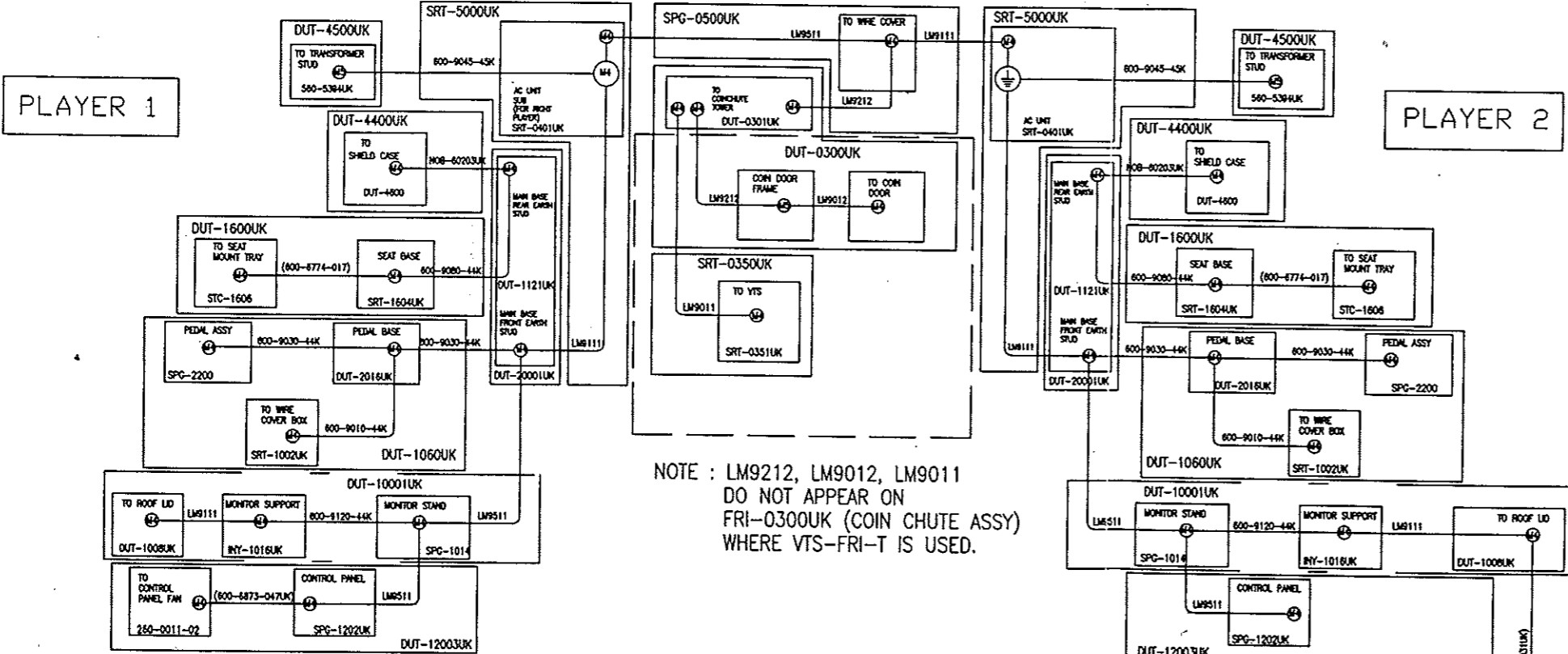


WIRE COLOR	WIRE COLOR	WIRE COLOR
8 BLACK	E LIGHT GREEN	50L WHITE AWG28
7 ORANGE	D PURPLE	51 WHITE RED
6 WHITE	C BROWN	58 WHITE
5 GREEN	B SKY BLUE	EXAMPLE
4 YELLOW	A PINK	K AWG16 UL1015
3 BLUE	9 GRAY	U AWG18 UL1015
2 RED		L AWG20 UL1007
1 RED		AWG22 UL1007

FRI-00001UK
TOP-ASSY
MT
02/12/99



EARTH MAP



NOTE : LM9212, LM9012, LM9011
DO NOT APPEAR ON
FRI-0300UK (COIN CHUTE ASSY)
WHERE VTS-FRI-T IS USED.

EARTH WIRES AND TERMINAL CODE

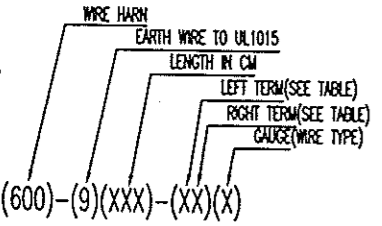


TABLE OF TERMINAL CODES			TABLE OF WIRE GAUGE (TYPE)		
1	A	0.110" FASTON 0.5mm TAB	M	AMP MHL SOCKET 350636-1	L 20 AWG WIRE
2	B	0.110" FASTON 0.5mm TAB	N		K 18 AWG WIRE
3	C	0.110" FASTON 0.8mm TAB	P		U 16 AWG WIRE
4	M4	RING TERM	D	0.187" FASTON 0.5mm TAB	R 15 AMP BRAD
5	M5	RING TERM	E	0.187" FASTON 0.8mm TAB	S 25 AMP BRAD
6	M6	RING TERM	F	0.250" FASTON 0.8mm TAB	T 60 AMP BRAD
7			G	BOOTLACE SPLICE AMP 926833-2	V 90 AMP BRAD
8	M8	RING TERM	H	BOOTLACE SPLICE AMP 926856-2	W 15 AMP BRAD (INSULATED)
9			J	AMP U/P PIN 175150-1	X 25 AMP BRAD (INSULATED)
			K	AMP U/P SOCKET 175152-1	Y 60 AMP BRAD (INSULATED)
			L	AMP MHL PIN 350687-1	Z 90 AMP BRAD (INSULATED)

