

1st PRINTING JULY 99

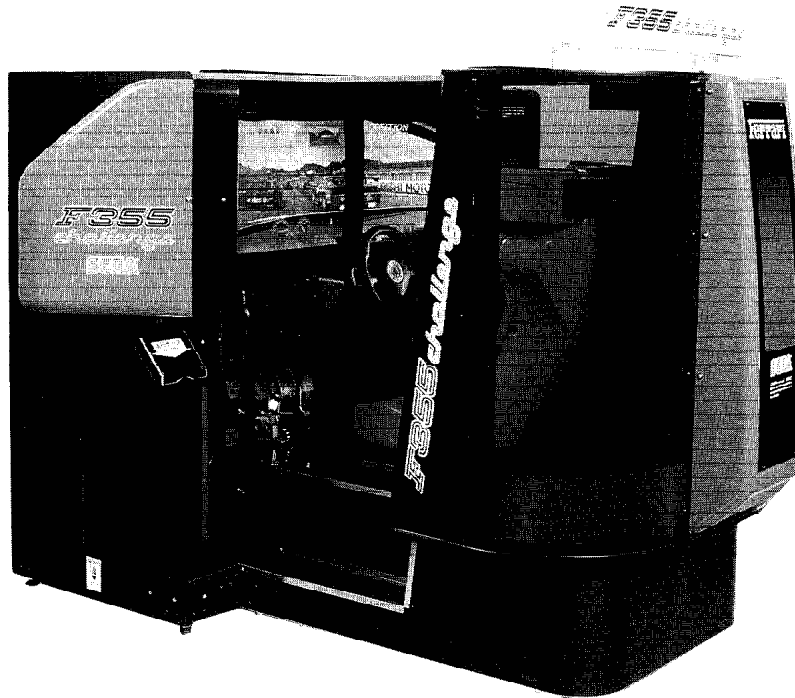
# SEGA

## *F355 challenge*

### ADDENDUM TO OWNER'S MANUAL



UL MODIFICATIONS FOR US.  
IMPORTANT INFORMATION INSIDE



SEGA ENTERPRISES, INC. USA

MANUAL NO. 999-0832



## **Warranty**

Your new Sega Product is covered for a period of 90 days from the date of shipment. This certifies that the Printed Circuit Boards, Power Supplies and Monitor are to be free of defects in workmanship or materials under normal operating conditions. This also certifies that all Interactive Control Assemblies are to be free from defects in workmanship and materials under normal operating conditions. No other product in this machine is hereby covered.

Sellers sole liability in the event a warranted part described above fails shall be, at its option, to replace or repair the defective part during the warranty period. For Warranty claims, contact your Sega Distributor.

Should the Seller determine, by inspection that the product was caused by Accident, Misuse, Neglect, Alteration, Improper Repair, Installation or Testing, the warranty offered will be null and void.

Under no circumstances is the Seller responsible for any loss of profits, loss of use, or other damages.

This shall be the exclusive written Warranty of the original purchaser expressed in lieu of all other warranties expressed or implied. Under no circumstance shall it extend beyond the period of time listed above.

# HOW TO USE THIS ADDENDUM BOOKLET



IMPORTANT!

This booklet is designed to be used with the original service manual issued with this game. It contains modifications to both the wiring diagrams and parts assemblies detailed within the Parts Lists section of your service manual.

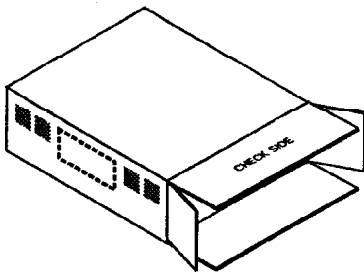


WARNING!

## THE SHIPMENT METHOD DESCRIBED BELOW ONLY APPLIES TO 'MODEL 3/or NAOMI' BOARDS CONTAINED IN THE FOLLOWING GAMES:

LOST WORLD, VIRTUA FIGHTER 3, SUPER GT, SEGA BASS FISHING, STRIKER 2 HARLEY DAVIDSON, RALLY 2, DAYTONA 2, DIRT DEVILS, STARWARS TRILOGY, BRAVE FIRE FIGHTERS, ZOMBIE'S REVENGE, WORLD SERIES 99', F355

**!!NEVER SHIP MODEL 3 GAME BOARDS OUTSIDE OF CAGE!!**



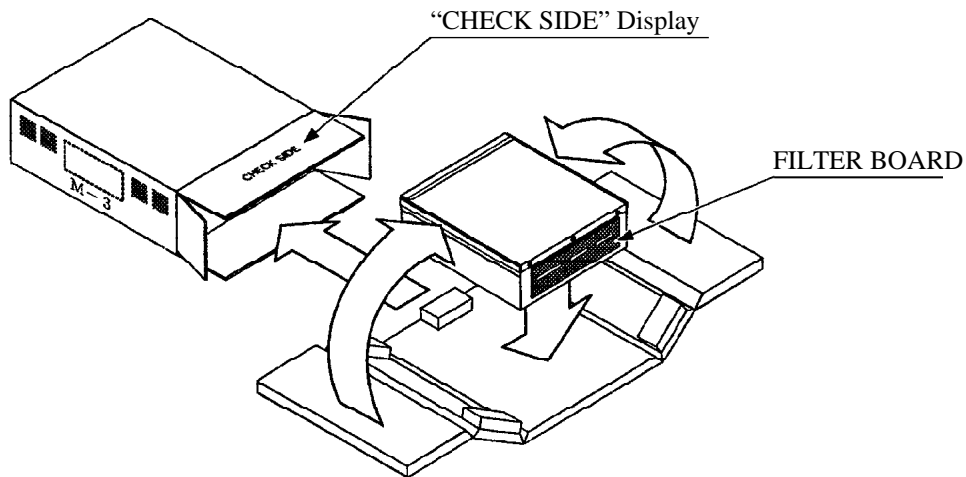
CARTON BOX

601-8928 (1)

Used for transporting the GAME BOARD.

{SUPPLIED WITH YOUR GAME}

**DO NOT SHIP GAME BOARD WITHOUT THIS BOX AS IT MAY DAMAGE THE GAME BOARD AND VOID YOUR WARRANTY.**



WARNING!

**NO OTHER GAMES BOARDS ARE TO BE SHIPPED IN THE CAGE AS THEY MAY BE DAMAGED BEYOND REPAIR. PLEASE SHIP THEM WITHOUT CAGE PROPERLY PROTECTED DURING SHIPPING.**

## General Precautions

---

**Follow Instructions:** All operating and use instructions should be followed.

**Attachments:** Do not use attachments not recommended by the product manufacturer as they may cause hazards.

**Accessories:** Do not place this product on an unstable cart, stand, tripod, bracket, or table. The product may fall, causing serious injury to a child or adult, and serious damage to the product. Use only with a cart, stand, tripod, bracket, or table recommended by the manufacturer, or sold with the product. Any mounting of the product should follow the manufacturer's instructions, and should use only mounting accessories recommended by the manufacturer.

**Moving the Product:** This product should be moved with care. Quick stops, excessive force, and uneven surfaces may cause the product to overturn.

**Ventilation:** Slots and openings in the cabinet are provided for ventilation, to ensure reliable operation of the product and to protect it from overheating; these openings must not be blocked or covered. The openings should never be blocked by placing the product in a built-in installation such as a bookcase or rack unless proper ventilation is provided or the manufacturer's instructions have been adhered to.

**Power Sources:** This product should be operated only from the type of power source indicated on the marking label. If you are not sure of the type of power supply to your location, consult your local power company. For products intended to operate from battery power or other sources, refer to the operating instructions.

**Grounding or Polarization:** This product is equipped with a three-wire grounding-type plug, a plug having a third (grounding) pin. This plug will only fit into a grounding-type power outlet. This is a safety feature. If you are unable to insert the plug into the outlet, contact your electrician to replace your obsolete outlet. Do not defeat the safety purpose of the grounding-type plug.

**Power Cord Protection:** Power-supply cords should be routed so that they are not likely to be walked on or pinched by items placed upon or against them, paying particular attention to cords at plugs, convenience receptacles, and the point where they exit from the product.

**Overloading:** Do not overload wall outlets, extension cords, or integral convenience receptacles as this can result in a risk of fire or electric shock.

**Object and Liquid Entry:** Never push objects of any kind into this product through openings as they may touch dangerous voltage points or short-out parts that could result in a fire or electric shock. Never spill liquid of any kind on the product.

**Servicing:** Do not attempt to service this product yourself as opening or removing covers may expose you to dangerous voltage or other hazards. Refer all servicing to qualified service personnel.

**Damage Requiring Service:** Unplug this product from the wall outlet and refer servicing to qualified service personnel under the following conditions:

- a) If the power cord or plug is damaged;
- b) If liquid has been spilled, or objects have fallen into the product;
- c) If the product has been exposed to rain or water;
- d) If the product does not operate normally when following the operating instructions. Adjust only those controls that are explained in the operating instructions. An improper adjustment of other controls may result in damage and will often require extensive work by a qualified technician to restore the product to its normal operation;
- e) If the product has been dropped or damaged in any way;
- f) When the product exhibits a distinct change in performance; this indicates a need for service.

**Replacement Parts:** When replacement parts are required, be sure the service technician has used replacements parts specified by the manufacturer or that have the same characteristics as the original part. Unauthorized substitutions may result in fire, electric shock, or other hazards.

**Safety Check:** Upon completion of any service or repairs to this product, ask the service technician to perform safety checks to determine that the product is in proper operating condition.

**Heat:** The product should be situated away from heat sources such as radiators, heat registers, stoves, or other products (including amplifiers) that produce heat.

**Lithium Battery-** Dispose of batteries only in accordance with the battery manufacturer's recommendations. Do not dispose in an open flame condition, since the battery may explode.

**Cleaning:** When cleaning the monitor glass, use water or glass cleaner and a soft cloth. Do not apply chemicals such as benzine, thinner, etc.

**Location:** This an indoor game machine, DO NOT install it outside. To ensure proper usage, avoid installing indoors in the places mentioned below:

- Places subject to rain/water leakage, or condensation due to humidity;
- In close proximity to a potential wet area;
- Locations receiving direct sunlight;
- Places close to heating units or hot air;
- In the vicinity of highly inflammable/volatile chemicals or hazardous matter;
- On sloped surfaces;
- In the vicinity of emergency response facilities such as fire exits and fire extinguishers;
- Places subject to any type of violent impact;
- Dusty places.

#### **INSTALLATION PRECAUTIONS**

- Verify the amperage of the branch circuit outlet before plugging in the power plug. Do not overload the circuit.
- Avoid using an extension cord. If one is required, use an extension cord of type SJT, 16/3 AWG rated min. 120 VAC, 7A.
- Moving this unit requires a minimum clearance (of doors, etc.) of 32" (W) by 77" (H).
- For the operation of this machine, secure a minimum area of 32" (W) by 42"(D).

#### **REGULATORY APPROVALS**

This game has been tested and found to comply with the Federal Communications Commission Rules.

This device complies with Part 15 of the FCC Rules. Operation is subject to the following two conditions: (1) This device may not cause harmful interference, and (2) this device must accept any interference received, including interference that may cause undesired operation.

This game has been tested and listed by Underwriters Laboratories, Inc., to ANSI/UL22.



## OPTIONAL DOLLAR BILL ACCEPTOR

- THE COIN DOOR ASSEMBLY USED ON F355 Challenge COMES EQUIPPED TO ACCEPT A DOLLAR BILL ACCEPTOR. ALL NEEDED WIRING CONNECTIONS ARE CONVIENENTLY LOCATED INSIDE THE GAME FOR THIS APPLICATION.
- THE COIN DOOR CAN ACCCOMMODATE THE FOLLOWING VALIDATORS:

HOLE POSITION#1  
(FORWARD-MOST POSITION)

MARS 2000 SERIES

HOLE POSITION#2

MARS 2000 SERIES  
DBV45 (JCM)

HOLE POSITION #3

CURRENTLY NOT USED

HOLE POSITION #4

DSIO1\*

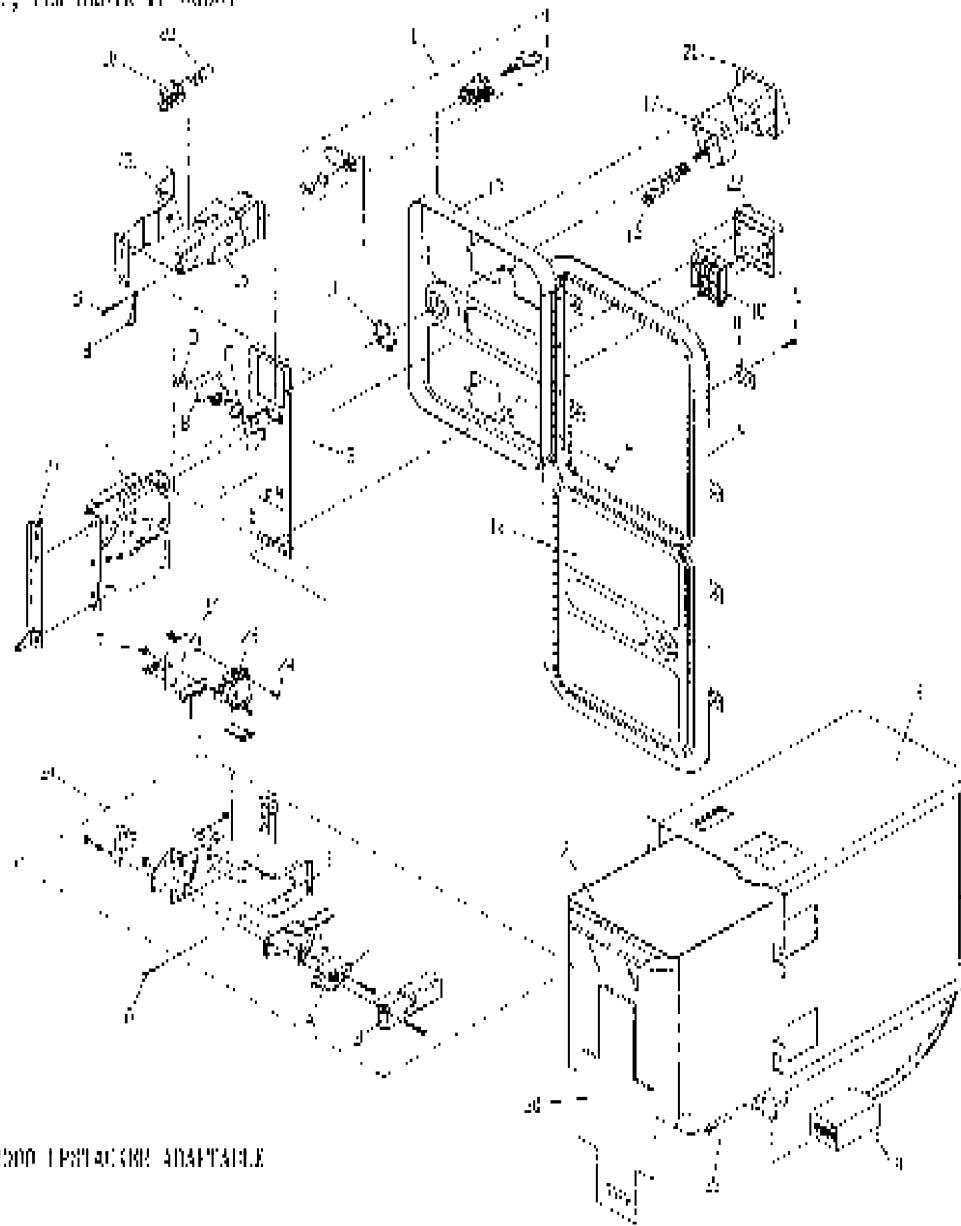
\*The back flange on the chute can be removed for hole position #4. If the flange is not removed, it may interfere with the back of the cabinet.

The frame and cashbox enclosure on this coindoor has been modified to accomodate a Mars 2000 series upstacker. A 2000 series stacker can be added by simply removing the top two entry door and replacing it with a one entry door with a cut-out for a stacker. This one entry door can be ordered through Coin Controls or one of Coin Controls authorized distributors. The Part # is 91-4000-01. The Mars stacker can be obtained through an authorized Mars distributor.

# COIN CONTROLS INTERNATIONAL

1050 HOWARD ST., FLECK CROCK H. 60307  
(845) 228-1800

## OVER/UNDER TWO ENTRY COIN DOOR\*

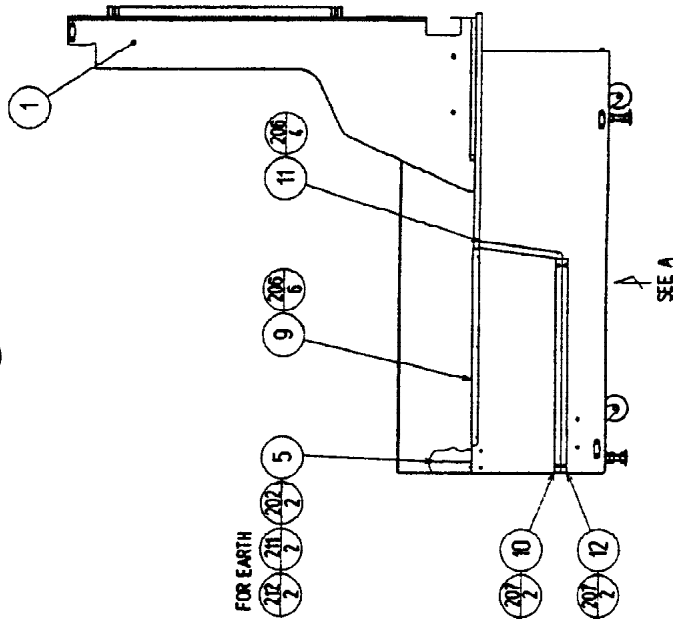
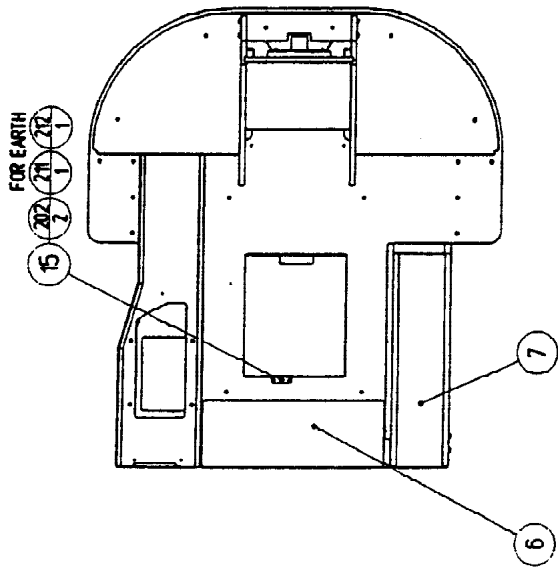
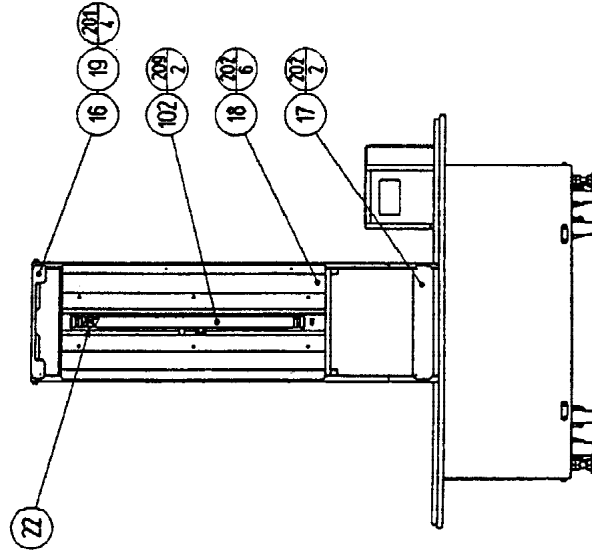
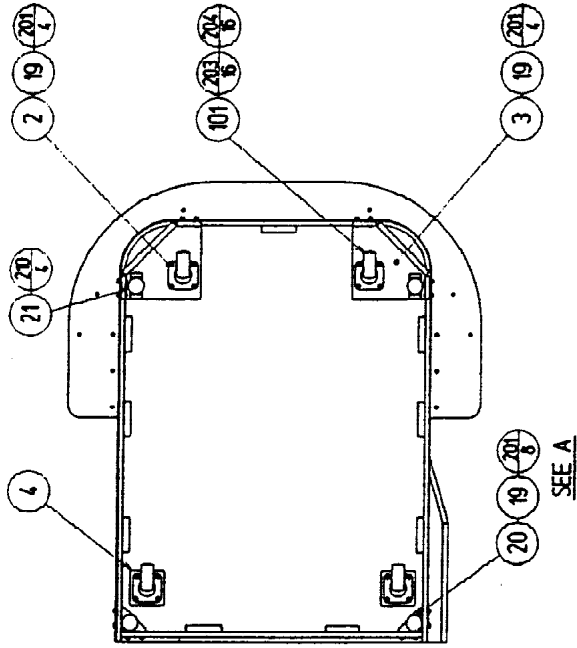


\*MRS. SERIES 2500 (PST) IS ALSO ADAPTABLE

PART #	DESCRIPTION	COST	PART #	DESCRIPTION	COST	PART #	DESCRIPTION	COST		
11	15-4050-25	5.00	151	9-1138-16	ARMED TOP W/IDA BOLT	1.70	36	25-1511-06	25" W. WRENCH	2.50
12	15-4134-01	22.00	152	9-1133-01	STRONG/WEIGHT BUSHING 2pc	3.00	37	35-1005-06	1.5" SC WRENCH	6.00
21	25-1177-00	2.40	153	9-1117-00	LAMP SOCKET	1.40	38	30-1003-01	ENTER & LOCKOUT STOP	25
31	25-1169-00	27.50	181	9-1115-00	2" BUSHING SPRING	.80	39	22-1400-06	DIAPHRAGM W/ID	2.00
41	30-1002-00	1.50	201	9-1114-00	6V LAMP SOCKET BASE	.50	31	10-1013-06	3/4" ALUMINUM	25
51	30-1000-00	.25	211	9-1111-06	BOTTOM WRENCH W/IDE	2.70				
61	30-1019-00	.25	221	9-1112-06	3/32" WRENCH W/IDE	2.70				
71	30-1006-02	.25	231	9-2-25-00	25 LOCKOUT TOOL (SET) W/ID	12.95				
22	30-1004-06	.25	241	9-1016-16	MICROSPRINGS ASSMBLD	16.50				
33	31-1008-06	30.00	271	9-1016-16	MICROSPRINGS BLUE	6.40				
44	31-4001-06	.45	31	1016-16	MICROSPRINGS BLUE	6.40				
161	31-0547-06	5.00	34	1016-16	MICROSPRINGS RED	6.40				
171	31-0605-12	8.40	3401	21-1025-06	MICROSPRINGS PLASTIC COVER	.75				
181	31-0624-16	30.00	341	30-1002-01	COIN ENTRY LAMP SOCKET	1.00				
191	31-0626-069	4.10	351	32-1022-002	3/16" ENTRY COVER SPRING	1.00				
191	31-0626-067	5.00	371	32-1023-00	1/16" ENTRY COVER SPRING	1.50				

# PARTS LIST MODIFICATIONS

ASSY REAR SUB CABI (FRI1-3001)

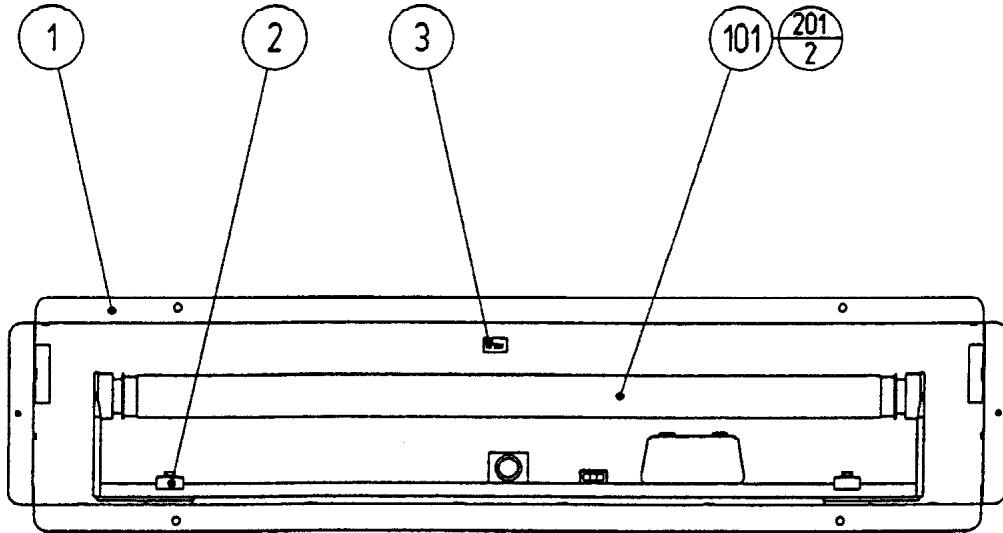




ASSY REAR SUB CABI (FRI1-3001)

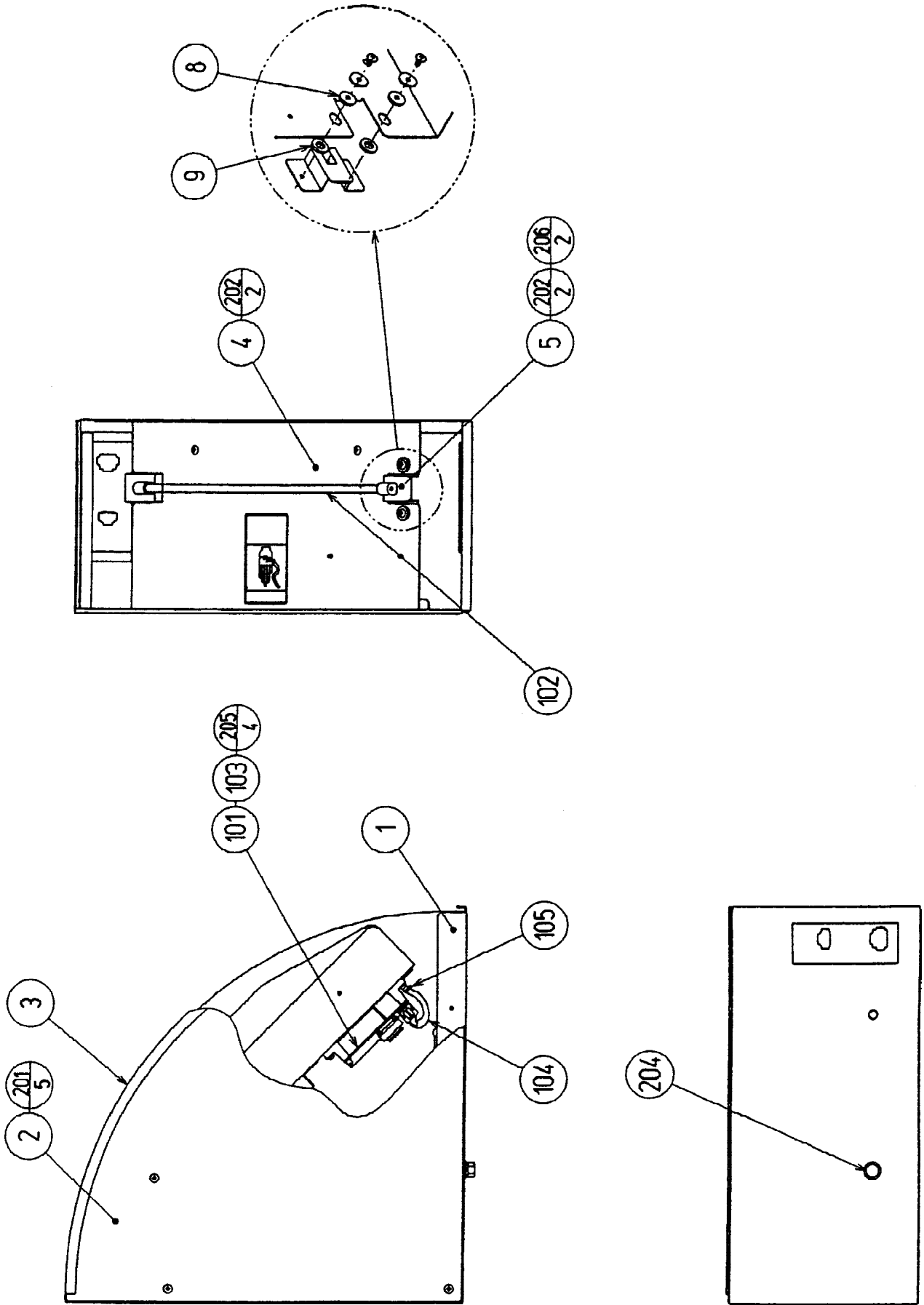
ITEM NO.	PART NO.	DESCRIPTION
1	FRI-3002	REAR CABINET
2	FRI-3003	CORNER BRKT L
3	FRI-3004	CORNER BRKT R
4	FRI-1009	CASTER SPACER PLATE
5	FRI-3010	FR CONN PNL
6	FRI-3013	FOOT PLATE
7	FRI-3022	MAT A
9	FRI-3024	SASH A
10	FRI-3025	SASH B
11	FRI-3026	SASH C
12	FRI-3027	SASH D
15	FRI-3033	SP PNL BRKT
16	FRI-3011	HOLDER Z UPPER
17	FRI-3012	HOLDER Z LOWER
18	FRI-3102	REFLECTOR
19	117-5233	PLATE LEG BRACKET BLACK
20	ARC-1006	LEG BRACKET
21	601-5699X	LEG ADJUSTER BOLT M16X75
22	253-5457	FL HOLDER
101	601-9377	CASTER FAI=75
102	LOCAL PURCHASE	ASSY 20W RED 24"
201	030-000630-SB	HEX BLT BLK W/S M6X30
202	000-P00416-W	M SCR PH W/FS M4X16
203	030-000630-S	HEX BLT W/S M6X30
204	060-F00600	FLT WSHR M6
206	079-000008	SCR NAIL THH STNLS 1.5X16
207	000-T00416-0C	M SCR TH CRM M4X16
209	000-P00430-W	M SCR PH W/FS M4X30
210	050-H01600	HEX NUT M16
211	000-P00408-S	M SCR PH W/S M4X8
212	060-F00400	FLT WSHR M4

ASSY TOP LIGHT (FRI1-3250)



ITEM NO.	PART NO.	DESCRIPTION
1	FRI-3251	TOP FL BOX
2	253-5457	FL HOLDER
101	LOCAL PURCHASE	ASSY FL 15W 18"
201	050-F00400	FLG NUT M4

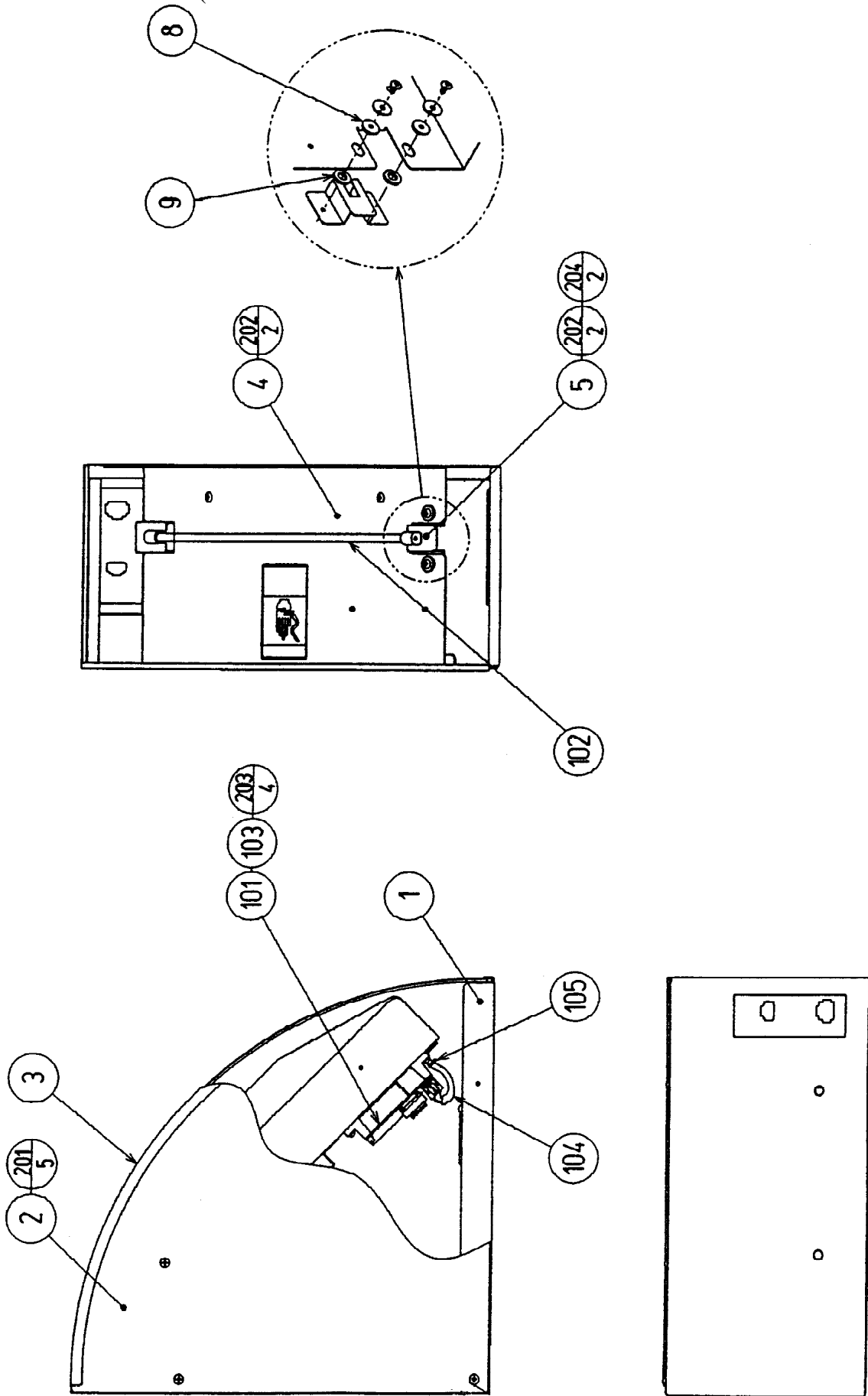
ASSY CORNER LIGHT L (FRII-3100)



ASSY CORNER LIGHT L (FRI1-3100)

ITEM NO.	PART NO.	DESCRIPTION
1	FRI-3151	CORNER LIGHT BOX
2	FRI-3152	CORNER LIGHT LID
3	FRI-3153X	LID EDGE PACKING
4	FRI-3154	CORNER REFLECTOR
5	FRI-3155	LIGHT HOLDER
8	FRI-3158	LIGHT HOLDER BUSH
9	FRI-3159	LIGHT HOLDER SPACER
101	999-0833	SSR BD 1K IN SERIES
102	LOCAL PURCHASE	2-INCANDESCENT LIGHTS 25W
201	000-T00408-0B	M SCR TH BLK M4X8
202	000-T00412-0C	M SCR TH CRM M4X12
204	030-000816-SB	HEX BLT W/S BLK M8X16
205	000-P00312-W	M SCR PH W/FS M3X12
206	068-441616-0C	FLT WSHR CRM 4.4-16X1.6

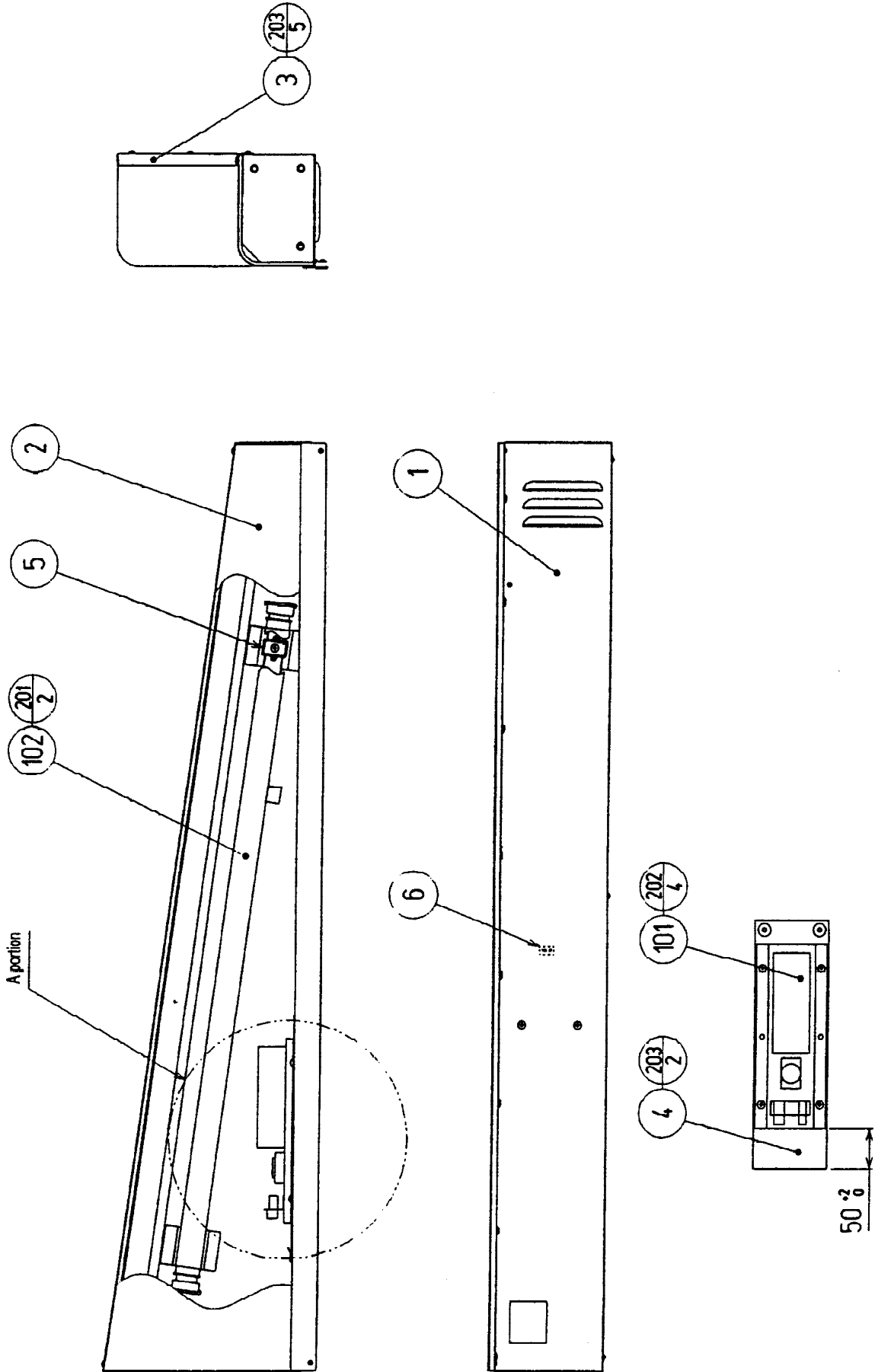
ASSY CORNER LIGHT R (FRI1-3150)



ASSY CORNER LIGHT R (FRI1-3150)

ITEM NO.	PART NO.	DESCRIPTION
1	FRI-3151	CORNER LIGHT BOX
2	FRI-3152	CORNER LIGHT LID
3	FRI-3153X	LID EDGE PACKING
4	FRI-3154	CORNER REFLECTOR
5	FRI-3155	LIGHT HOLDER
8	FRI-3158	LIGHT HOLDER BUSH
9	FRI-3159	LIGHT HOLDER SPACER
101	999-0833	SSR BD 1K IN SERIES
102	LOCAL PURCHASE	2-INCANDESCENT LIGHTS 25W
201	000-T00408-0B	M SCR TH BLK M4X8
202	000-T00412-0C	M SCR TH CRM M4X12
204	030-000816-SB	HEX BLT W/S BLK M8X16
205	000-P00312-W	M SCR PH W/FS M3X12
206	068-441616-0C	FLT WSHR CRM 4.4-16X1.6

ASSY SIDE TOWER L (FRI1-3050)



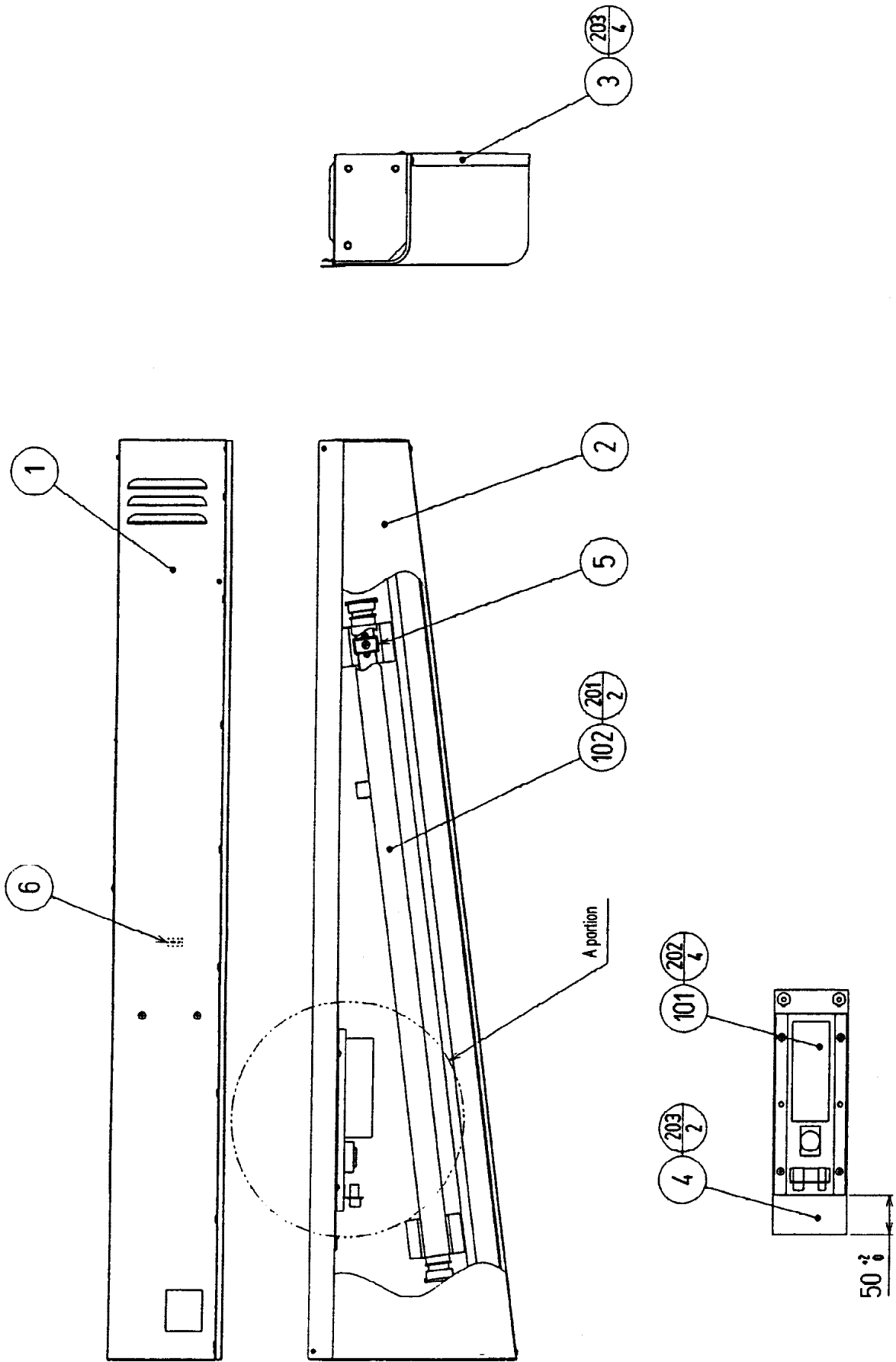
Details of PART A

ASSY SIDE TOWER L (FRI1-3050)

ITEM NO.	PART NO.	DESCRIPTION
1	FRI-3051	SIDE TOWER L
2	FRI-3052	SIDE FL COVER L
3	FRI-3053	SASH FRONT L
4	FRI-3054	WOODEN BASE for brst
5	253-5457	FL HOLDER
101	LOCAL PURCHASE	BALLAST 1P 30W
102	LOCAL PURCHASE	FL 30W 36"
201	000-T00425-0B	M SCR TH BLK M4X25
202	011-T00312	TAP SCR TH 3X12
203	000-T00412-0B	M SCR TH BLK M4X12



ASSY SIDE TOWER R (FRI1-3060)



ASSY SIDE TOWER R (FRI1-3060)

ITEM NO.	PART NO.	DESCRIPTION
1	FRI-3061	SIDE TOWER R
2	FRI-3062	SIDE FL COVER R
3	FRI-3063	SASH FRONT R
4	FRI-3054	WOODEN BASE for brst
5	253-5457	FL HOLDER
101	LOCAL PURCHASE	BALLAST 1P 30W
102	LOCAL PURCHASE	FL 30W 36"
201	000-T00425-0B	M SCR TH BLK M4X25
202	011-T00312	TAP SCR TH 3X12
203	000-T00412-0B	M SCR TH BLK M4X12



# VISIT OUR WEBSITE!

Netscape: SEU SERVICE HOMEPAGE

http://www.seuservice.com/SEUASERVICE/mainpage.html

**SEGA SERVICE**

[What's new] [Manuals] [Bulletins] [Part Numbers] [Game Monitors]  
[Board Systems] [Mailing List] [SEGA Distributors] [Service Staff] [Darl's Office] [Samples]

WHAT'S NEW  
MANUALS  
BULLETINS  
PART NUMBERS  
GAME MONITORS  
BOARD SYSTEMS  
MAILING LIST  
SEGA DISTRIBUTORS  
SERVICE STAFF  
DARL'S OFFICE  
**HOME**

[Y2K COMPLIANCE]

Sega Enterprises Inc., USA  
Service Department  
Phone (650)-632-7580  
Fax (650)-632-7594

Best Viewed with 

**Coin-Op Links:**  
[Star Tech Journal](#)  
[Amusement Industry Mega Site](#)

*If you have any questions about this Home Page please  
E-Mail to:*  
[darl.davidson@seu.sega.com](mailto:darl.davidson@seu.sega.com)  
OR  
[han.rockhill@seu.sega.com](mailto:han.rockhill@seu.sega.com)

A total of **13910** people have accessed this page.

THIS WEB SITE POWERED BY  **WebSTAR 3**  