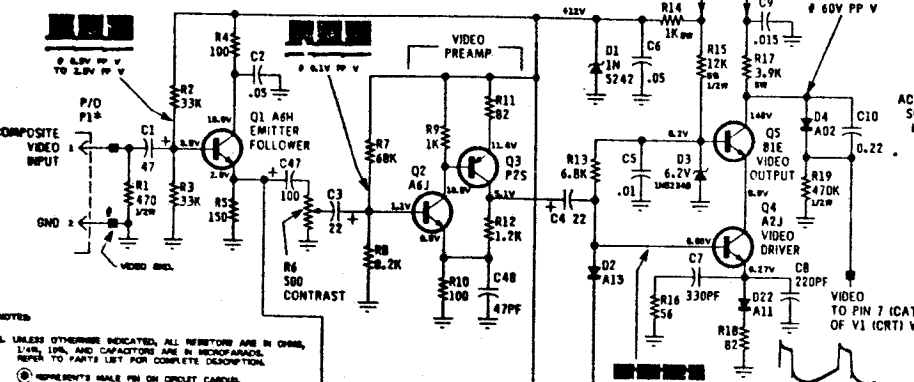
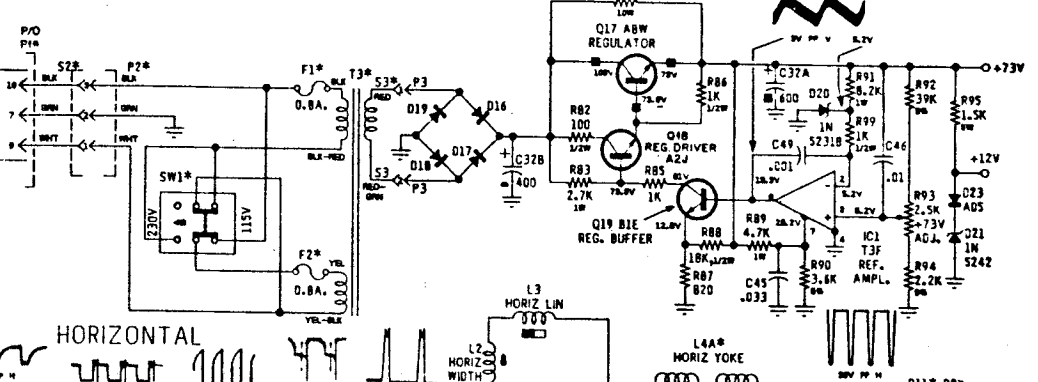


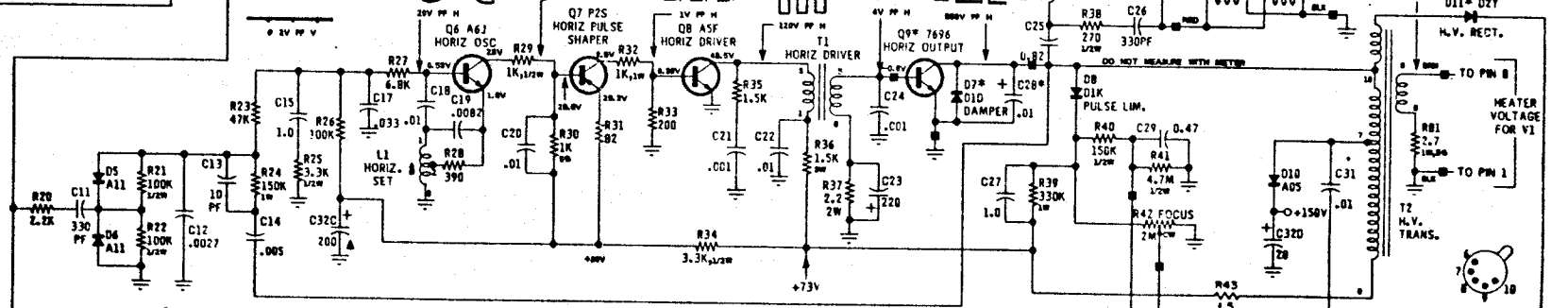
VIDEO



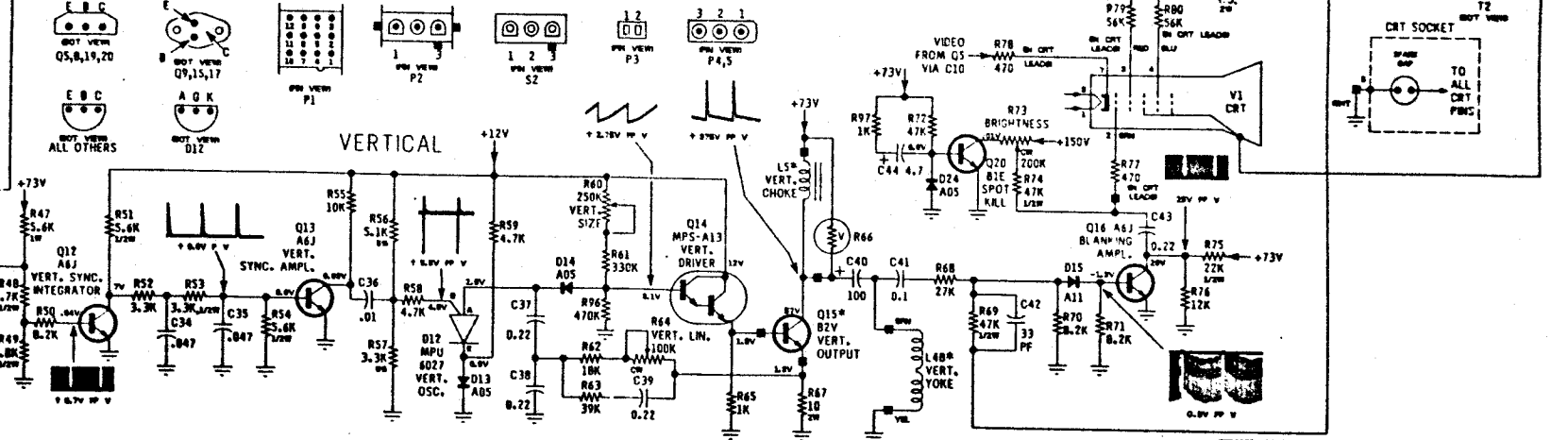
AC POWER SOURCE INPUT



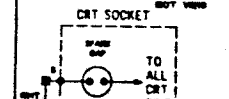
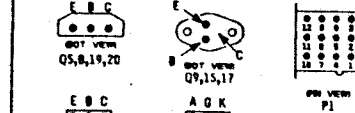
HORIZONTAL



VERTICAL



- NOTES
- UNLESS OTHERWISE INDICATED, ALL RESISTORS ARE IN OHMS, 1/4W, 1%, AND CAPACITORS ARE IN MICROFARADS, REFER TO PARTS LIST FOR COMPLETE DESCRIPTION.
 - REPRESENTS MALE PIN OR CIRCUIT CARDS.
 - REPRESENTS SCHEMATICALLY PIN CONNECTION.
 - REPRESENTS PLUGGABLE PIN CONNECTION.
 - REPRESENTS SOLDER EYELET CONNECTION TO AN OFF-CIRCUIT CARD COMPONENT.
 - REPRESENTS OPENING OF VOLTAGE INDICATED.
 - M REPRESENTS COMPONENTS THAT ARE CHANGES MOUNTED NOT ON A CIRCUIT CARDS.
 - * WAVEFORM TAKEN FROM POINT INDICATED TO WAVEFORM PIN #1-2.
 - * WAVEFORM TAKEN FROM POINT INDICATED TO GROUND SIDE OF 47K.
 - D.C. VOLTAGE TAKEN WITH RESPECT TO CHASSIS GROUND, NO SIGNAL INPUT, HORIZONTAL CONTROL SET TO MECHANICAL CENTER, VOLTAGE READINGS ARE 519V.
 - A.C. WAVEFORMS VIDEO SIGNAL, 1.5V-P TO 2.5V-P APPLIED TO COMPOSITE VIDEO INPUT CONNECTOR PL, CONTRAST CONTROL 600 ADJUSTED TO 8.1V-P VIDEO SIGNAL AT BASE OF Q3 SEE NOTE 10. READJUST HORIZONTAL CONTROL AND ADJUST WIDTH 100% NO RASTER TOUCHES EDGE OF SET SCREEN. IF RASTER IS PRESENT, WAVEFORMS VARY WITH ASSOCIATED CONTROL SETTINGS.



M5000-155, M7000-155 - Diagram Schematic