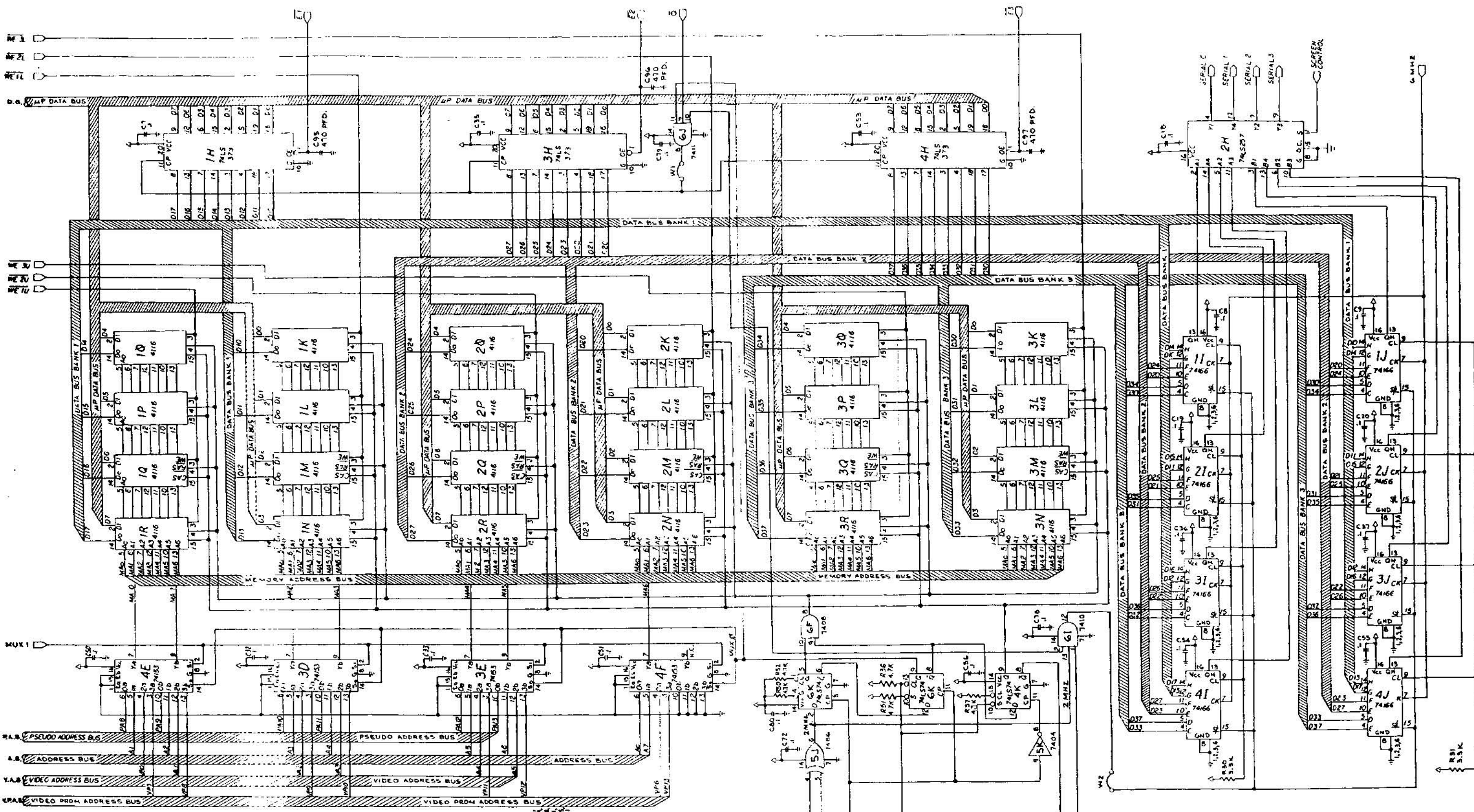
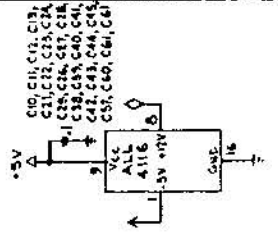


- NOTES:
1. ALL RESISTORS, 1/8 WATT UNLESS OTHERWISE SPECIFIED
  2. ALL CAPACITORS, MFD UNLESS OTHERWISE SPECIFIED
  3. FOR LOGIC SPARES, SEE CHART IN SHEET #2 OF 2.
  4. A) FROM SHEET #2 OF 2. B) FROM SHEET #1 OF 2.
  5. FOR ASSEMBLY DWG. REFER TO R-8731.

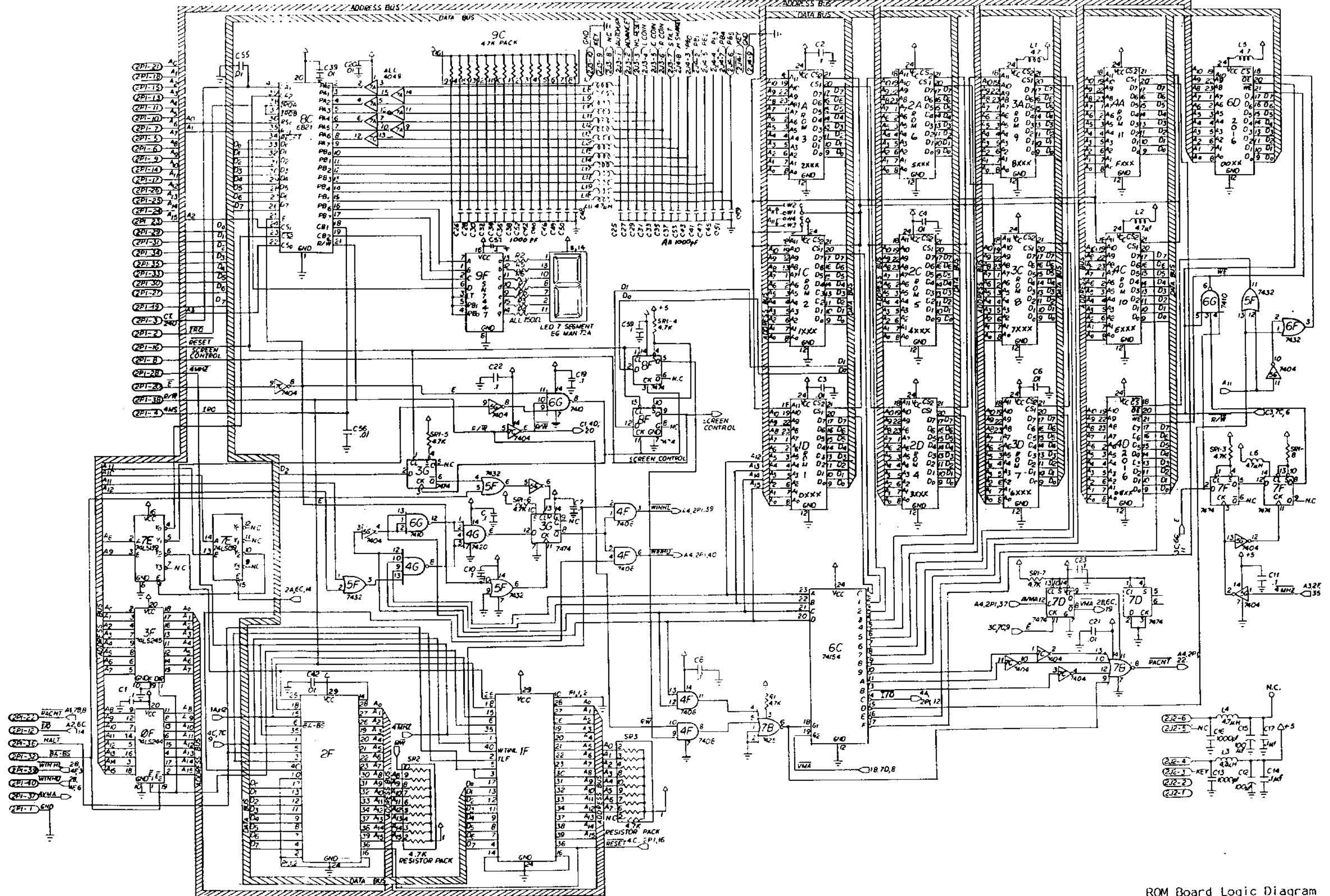


LOC.	LOGIC	QTY.
4B	7400	1
4K	74LS74	1
5I	74LS333	1
5J	74LS6	2
6D	4011	2
6H	74LS139	1
6I	7410	2

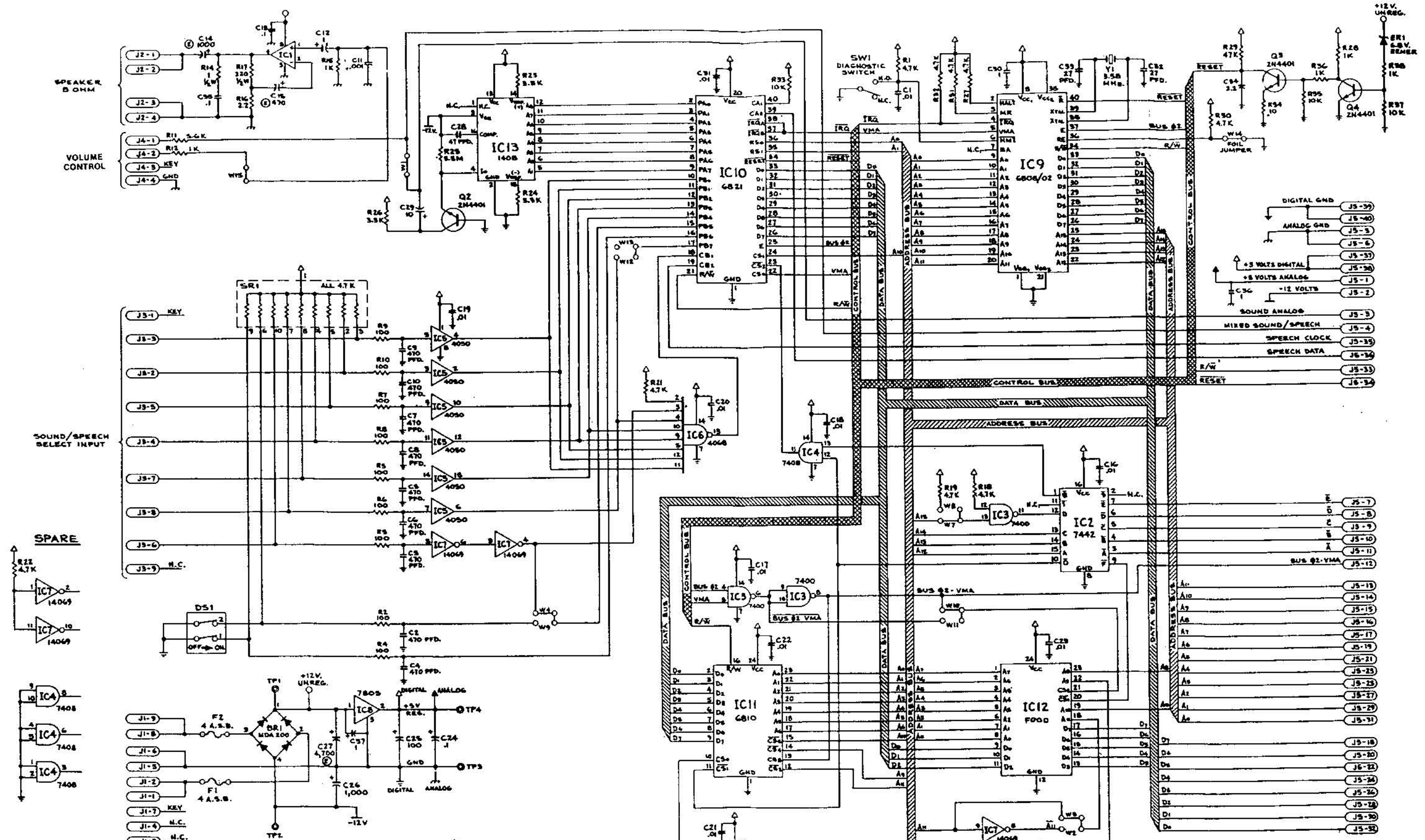


①

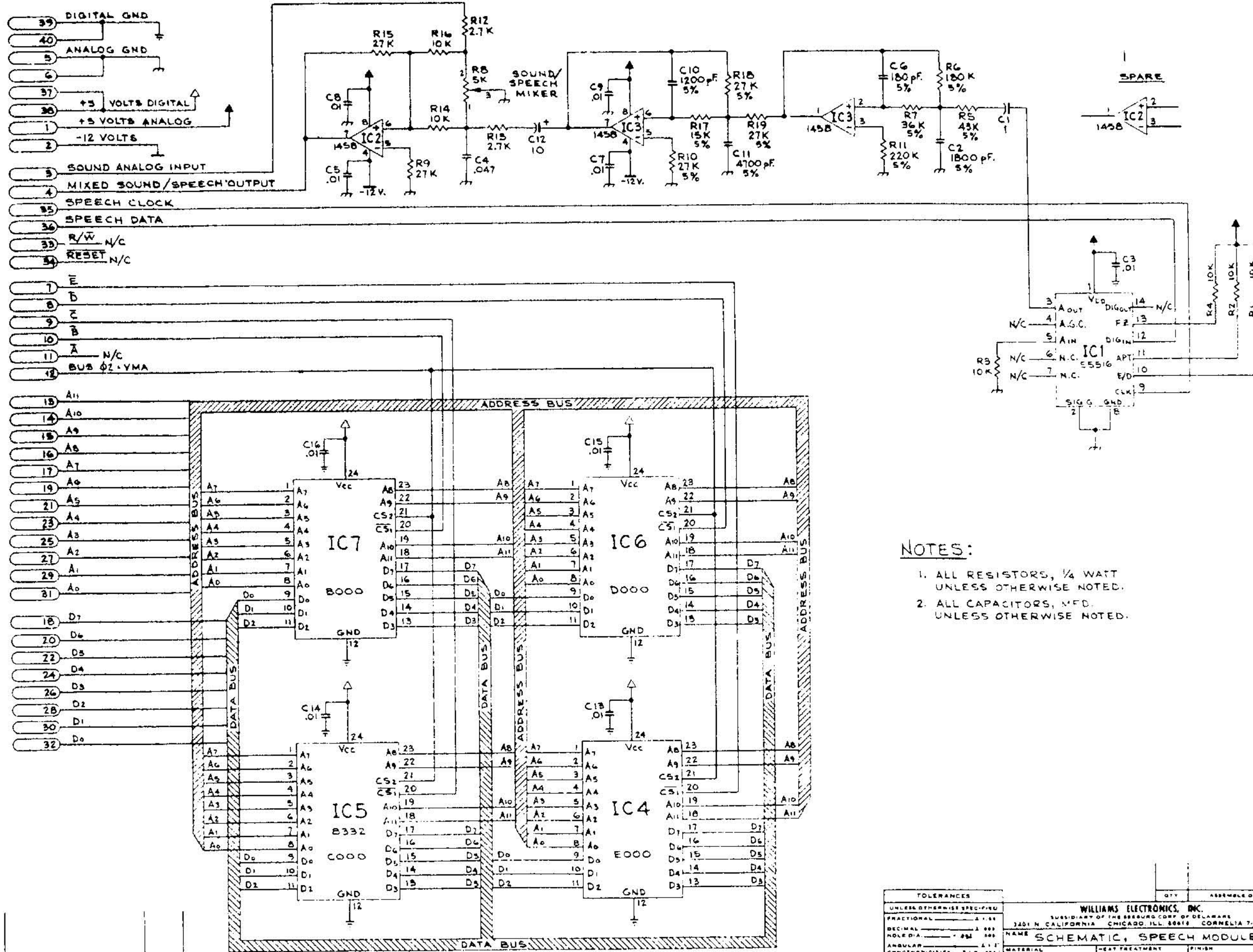
②



ROM Board Logic Diagram



**NOTES:**  
 1. ALL RESISTORS, 1/4 WATT UNLESS OTHERWISE NOTED.  
 2. ALL CAPACITORS, MFD. UNLESS OTHERWISE NOTED.



- NOTES:**
1. ALL RESISTORS, 1/4 WATT UNLESS OTHERWISE NOTED.
  2. ALL CAPACITORS, MFD. UNLESS OTHERWISE NOTED.

TOLERANCES		QTY		ASSEMBLER OR	
UNLESS OTHERWISE SPECIFIED					
FRACTIONAL	± 1%	WILLIAMS ELECTRONICS, INC.			
DECIMAL	± 1%	SUBSIDIARY OF THE BRIDGEMAN CORP. OF DELAWARE			
NOLE/DIA	± 1%	3401 N. CALIFORNIA CHICAGO, ILL. 60618 CORNELIA 7-2388			
ANGULAR	± 1%	NAME SCHEMATIC, SPEECH MODULE			
CONCENTRICITIES	± 1%	MATERIAL			
SCREEN THREADS	CLASS 3	HEAT TREATMENT			
FINISH		FINISH			
REV	9-64	DATE	10-2-79	APP'D.	SCALE

REVISION LETTER	REVISION	BY