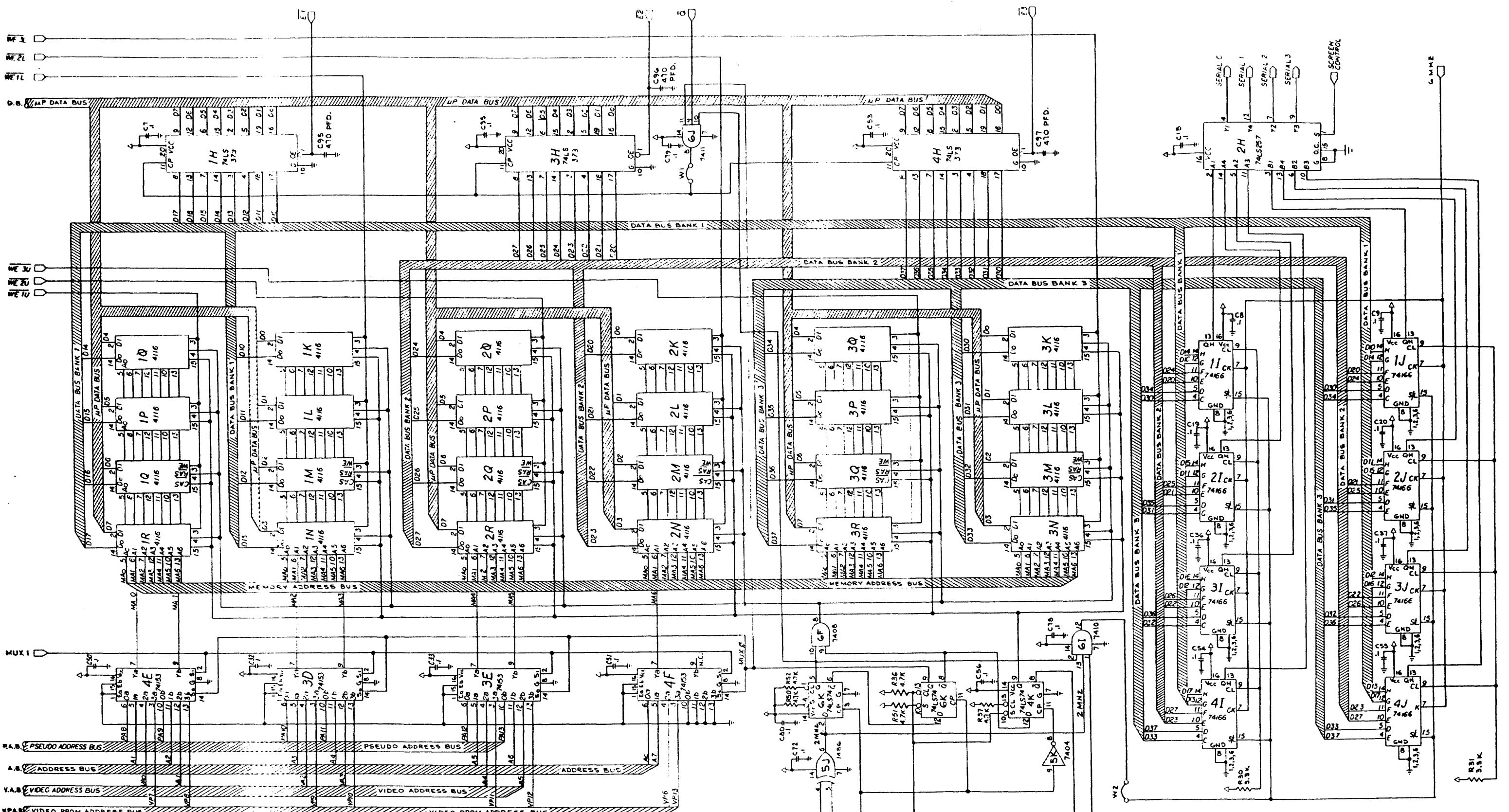
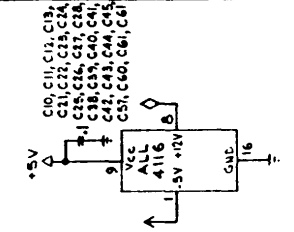


- NOTES:**
- 1. - ALL RESISTORS, 1/4 WATT UNLESS OTHERWISE SPECIFIED
 - 2. - ALL CAPACITORS, MFD. UNLESS OTHERWISE SPECIFIED
 - 3. - FOR LOGIC SPARES, SEE CHART IN SHEET #2 OF 2.
 - 4. A) FROM SHEET #2 OF 2. B) TO SHEET #2 OF 2.
 - 5. FOR ASSEMBLY DWG. REFER TO R-8731.

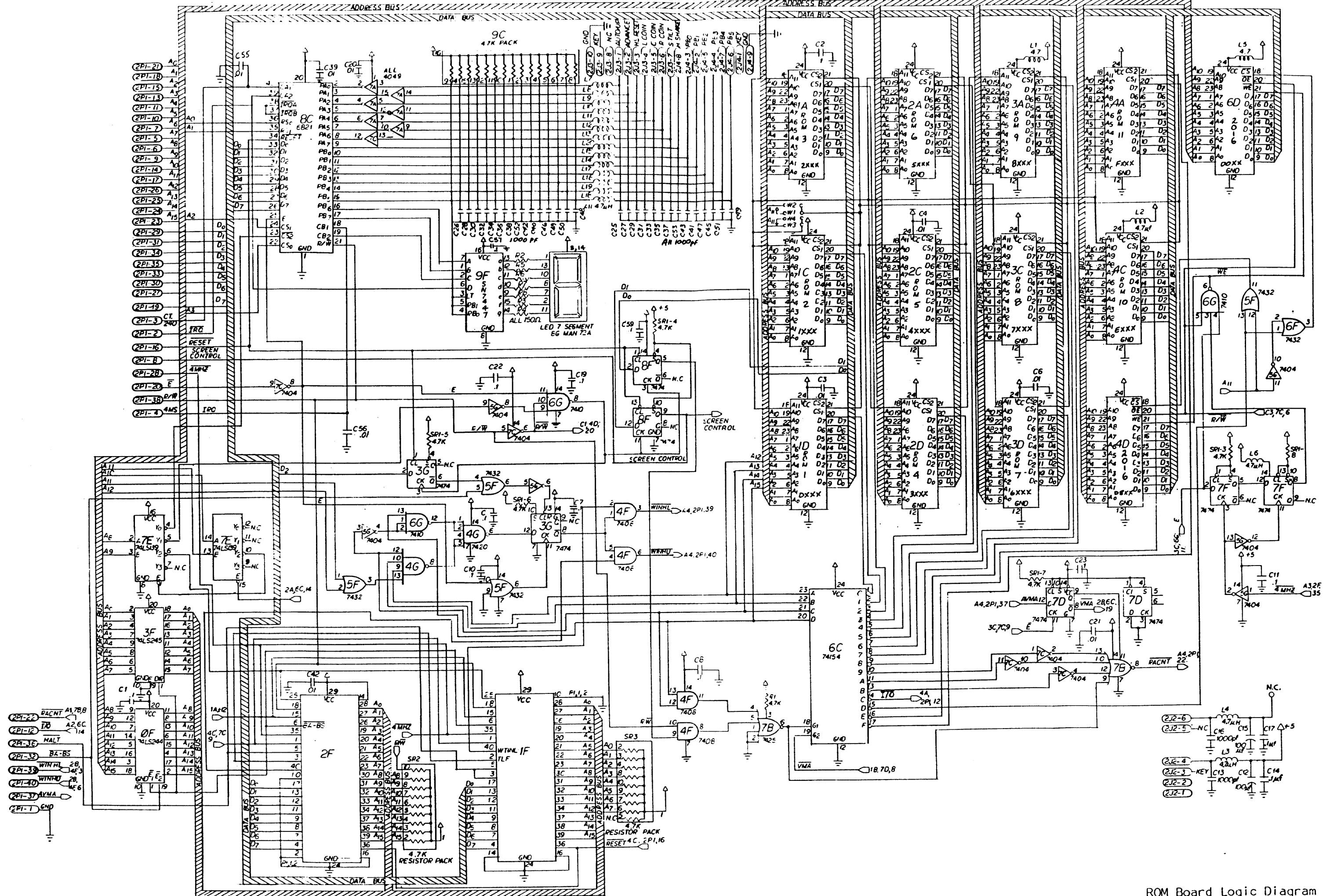


LOC.	LOGIC	QTY.
4B	7400	1
4K	74LS74	1
5I	74LS593	1
5J	74LS64	2
6D	4011	2
6H	74LS139	1
6I	7410	2

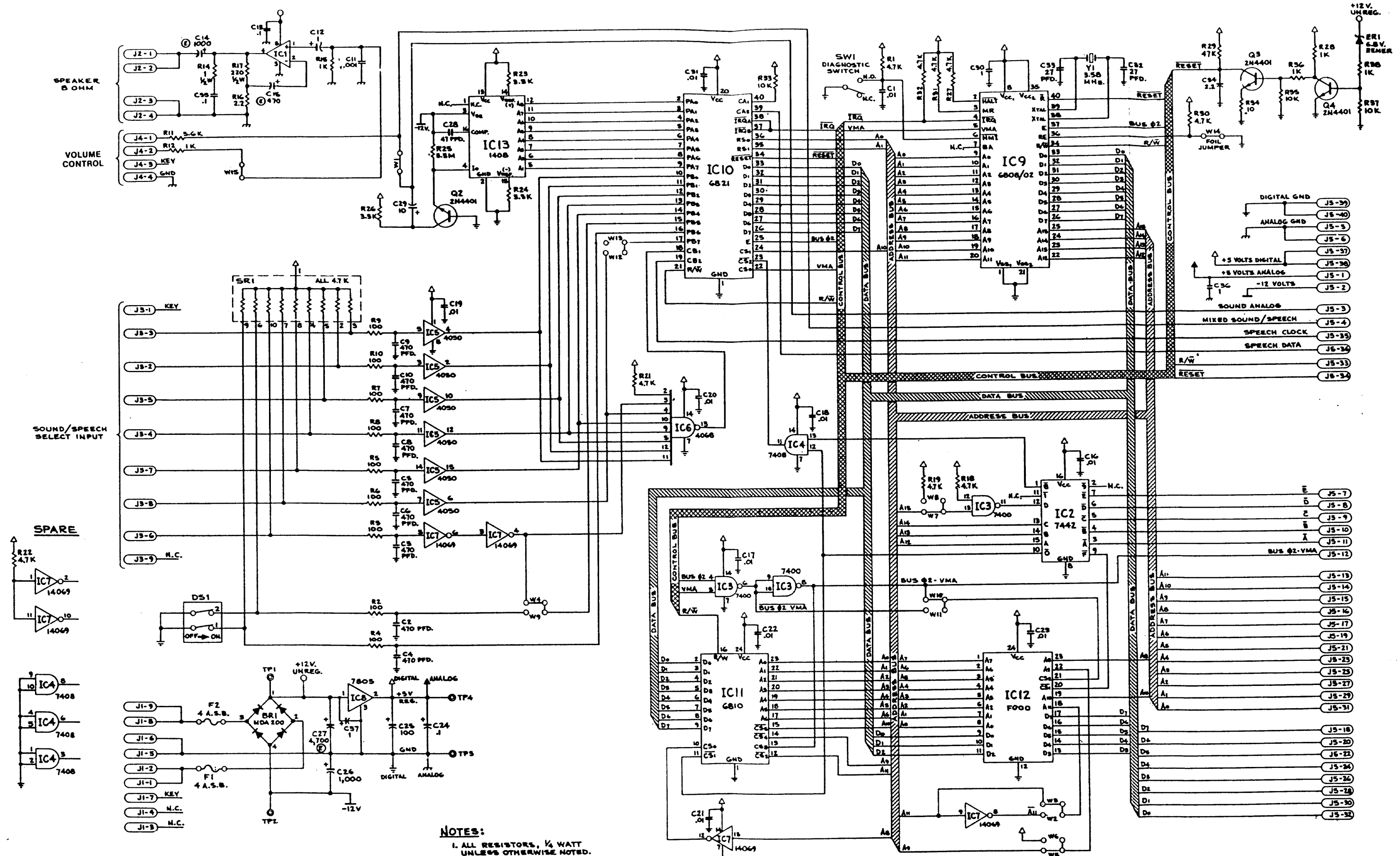


ⓐ

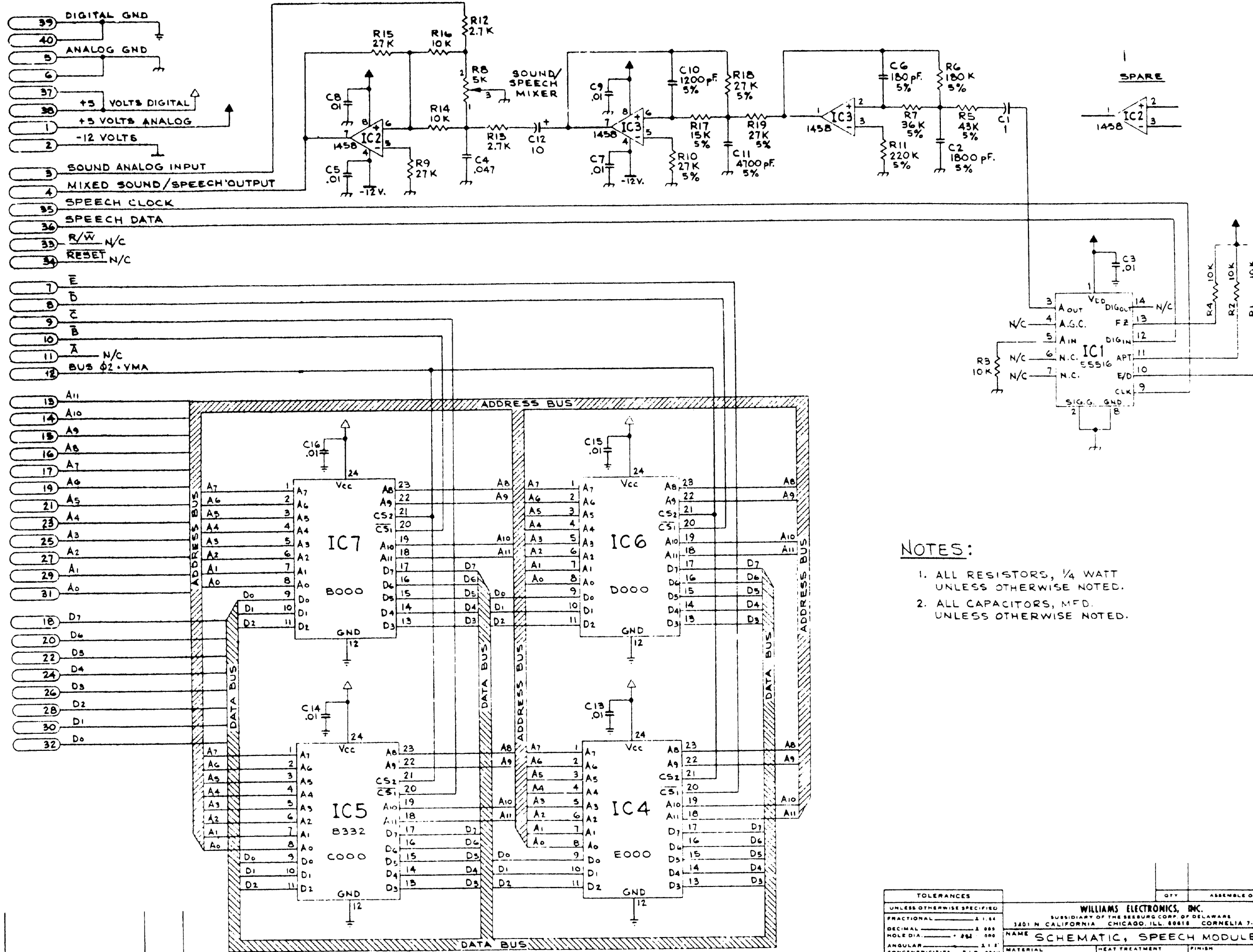
ⓑ



ROM Board Logic Diagram



NOTES:
 1. ALL RESISTORS, 1/4 WATT UNLESS OTHERWISE NOTED.
 2. ALL CAPACITORS, MFD. UNLESS OTHERWISE NOTED.



- NOTES:
1. ALL RESISTORS, 1/4 WATT UNLESS OTHERWISE NOTED.
 2. ALL CAPACITORS, MFD. UNLESS OTHERWISE NOTED.

REVISION LETTER	REVISION	BY

TOLERANCES		QTY	ASSEMBLE ON
UNLESS OTHERWISE SPECIFIED			
FRACTIONAL	± 1.5%		
DECIMAL	± .005		
HOLE DIA.	± .002		
ANGULAR	± 1.0°		
CONCENTRICITIES	± 0.003		
SCREW THREADS	CLASS 2		
WILLIAMS ELECTRONICS, INC.			
SUBSIDIARY OF THE BEERBURG CORP. OF DELAWARE			
3401 N. CALIFORNIA CHICAGO, ILL. 60618 CORNELIA 7-2240			
NAME SCHEMATIC, SPEECH MODULE			
MATERIAL	HEAT TREATMENT	FINISH	
DATE 10-2-79	APP'D.	SCALE	