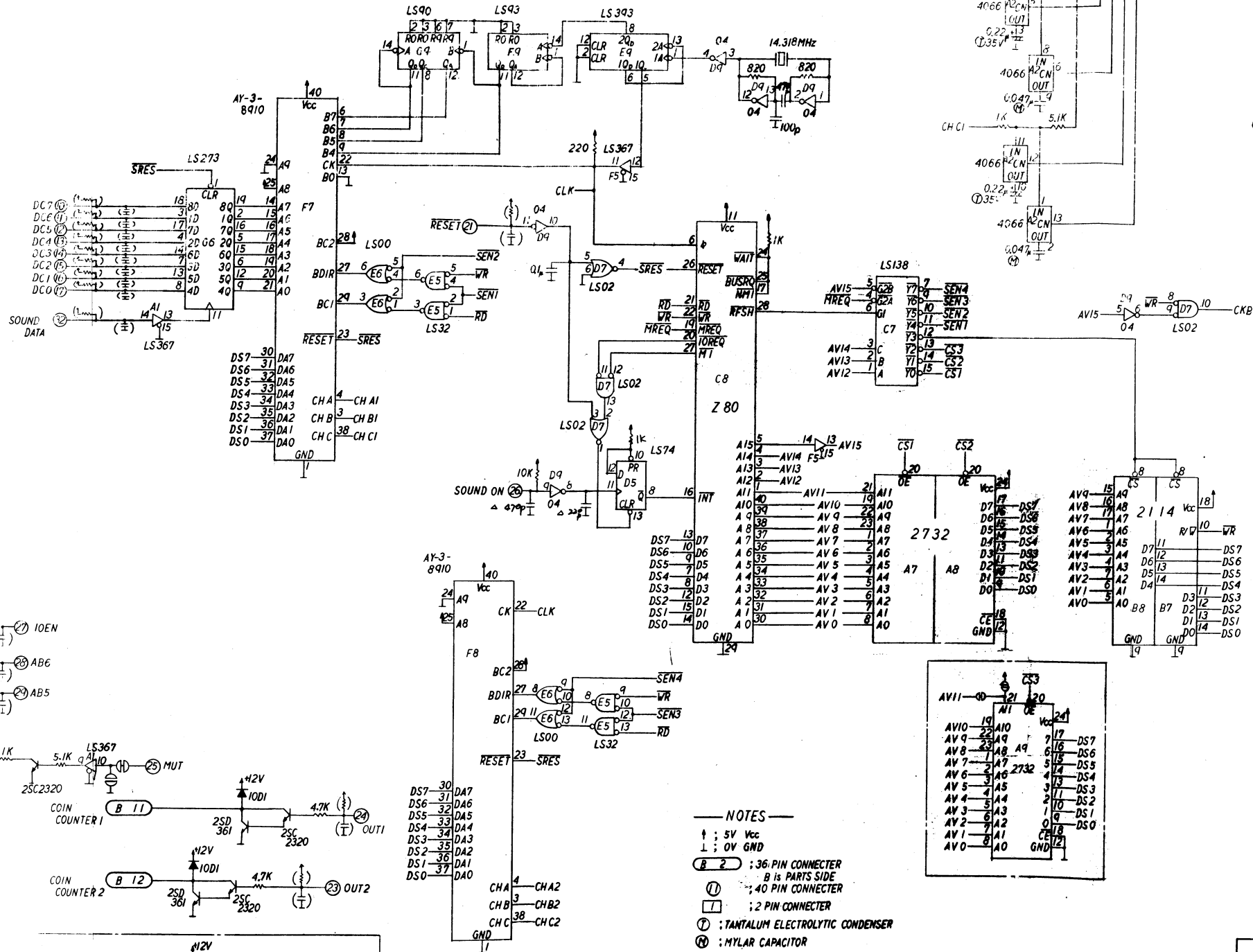
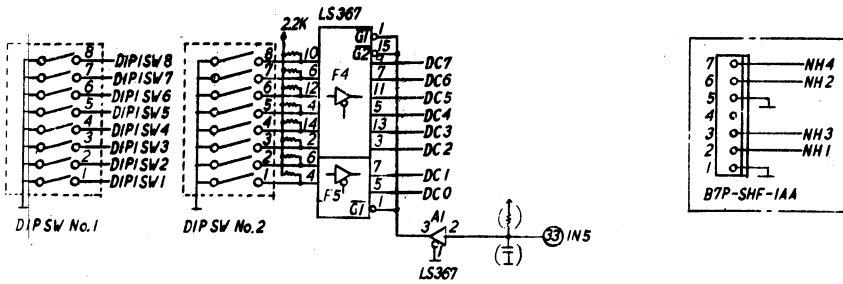
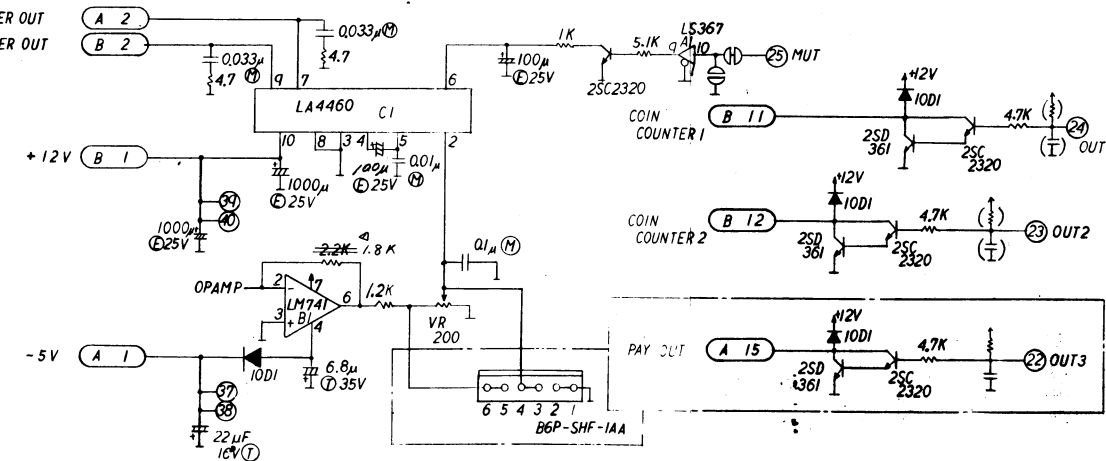
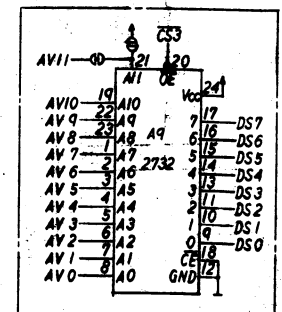
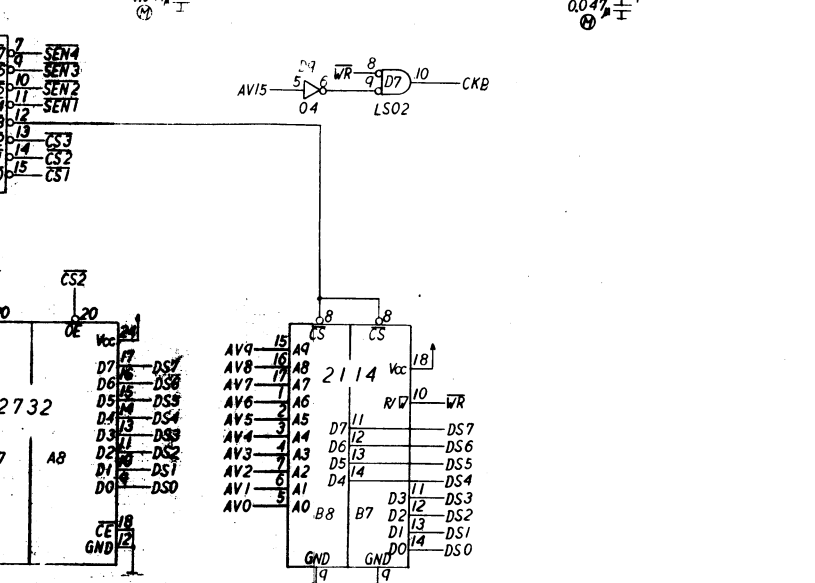
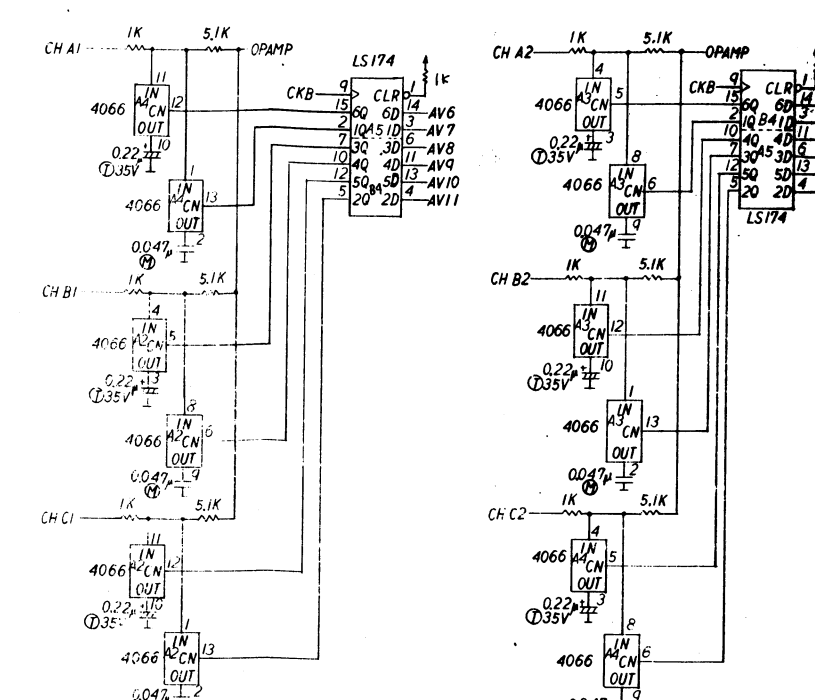


NH1,2,3,4, is NO USE



- NOTES
- ↑ : 5V Vcc
 - ⊥ : 0V GND
 - (B 2) : 36-PIN CONNECTOR
B IS PARTS SIDE
 - (1) : 40 PIN CONNECTOR
 - (2) : 2 PIN CONNECTOR
 - (1) : TANTALUM ELECTROLYTIC CONDENSER
 - (2) : MYLAR CAPACITOR
 - (3) : ELECTROLYTIC CONDENSER
 - (4) : NO MARK ; CERAMIC CONDENSER
 - (5) : NO LAYOUT PARTS



QC. APVD	PROG. APVD	QTY.	ASSEMBLY NO.
CAUTION			
MILWAUKEE, FLORIDA 33014			
NAME SOUND BOARD (KT-5112-2B)			
MATLX	HEAT TREAT.	FINISH	
DATE	SCALE	PART NO.	REV.
11/21/82		905-4898	