

SERVICE BULLETIN

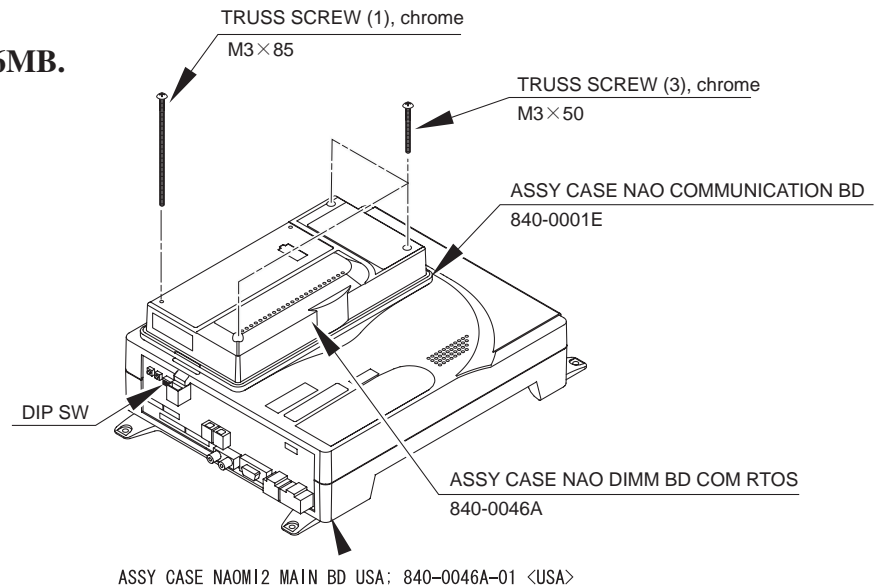
December 18th, 2006

GAME NAME: CYCRAFT (INITIAL D3)

SUBJECT: JUMPER POSITIONS AND EP-ROM

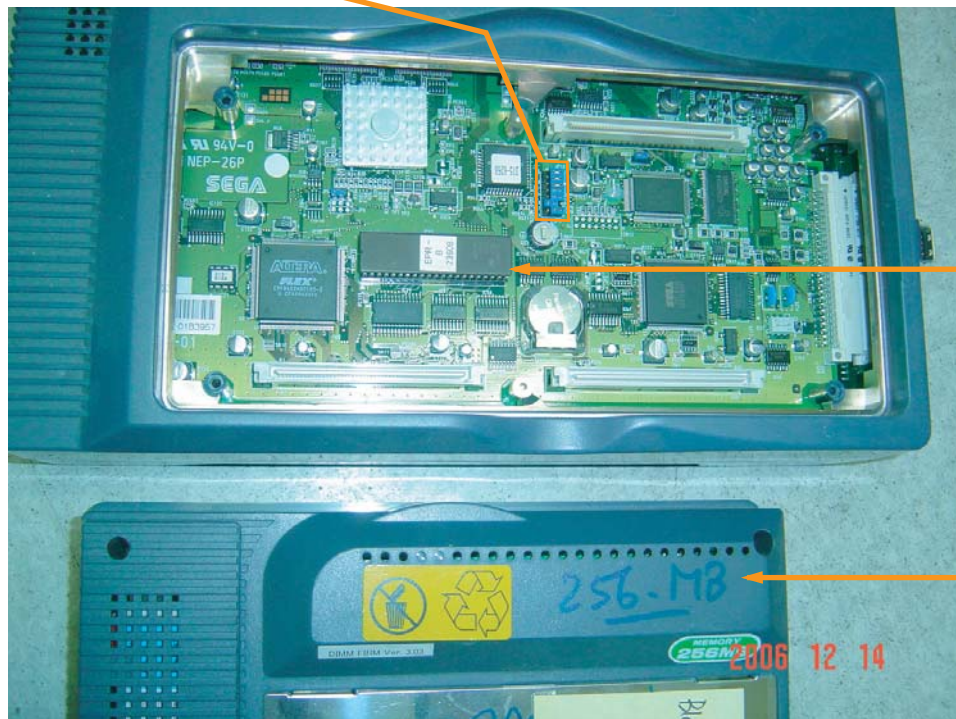
THERE IS JUMPER POSITIONS AND EP-ROM NUMEBR ON ID3 DIMM BOARD. PLEASE REFER BELOW PICTURE.

EP-ROM = EPR-B 23608
JUMPER = Refer below.
SIZE OF DIMM BOARD = 256MB.



JUMPER (ZOOM UP)

6th from top only left side, others are right side.



16MB EP-ROM (42 PINS)

256MB DIMM BOARD

TOP VIEW OF "COMMUNICATION BD AND DIMM BOARD, NAOMI 2"