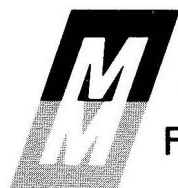
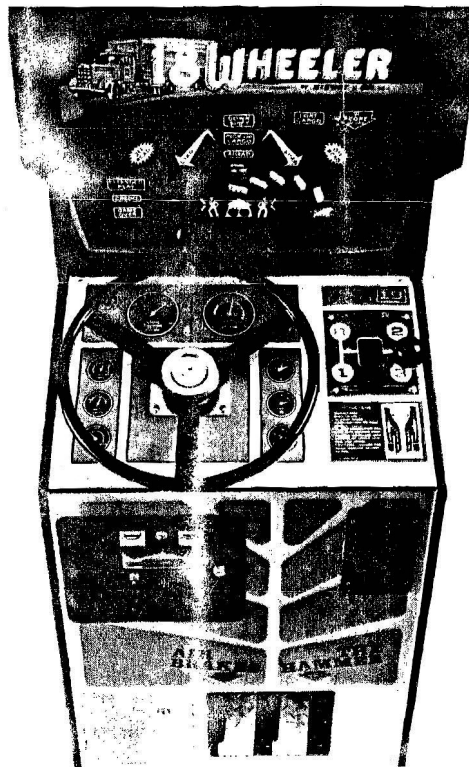


GAME NO. 653

JULY, 1979

MIDWAY'S **18 WHEELER** **PARTS AND** **OPERATING** **MANUAL**



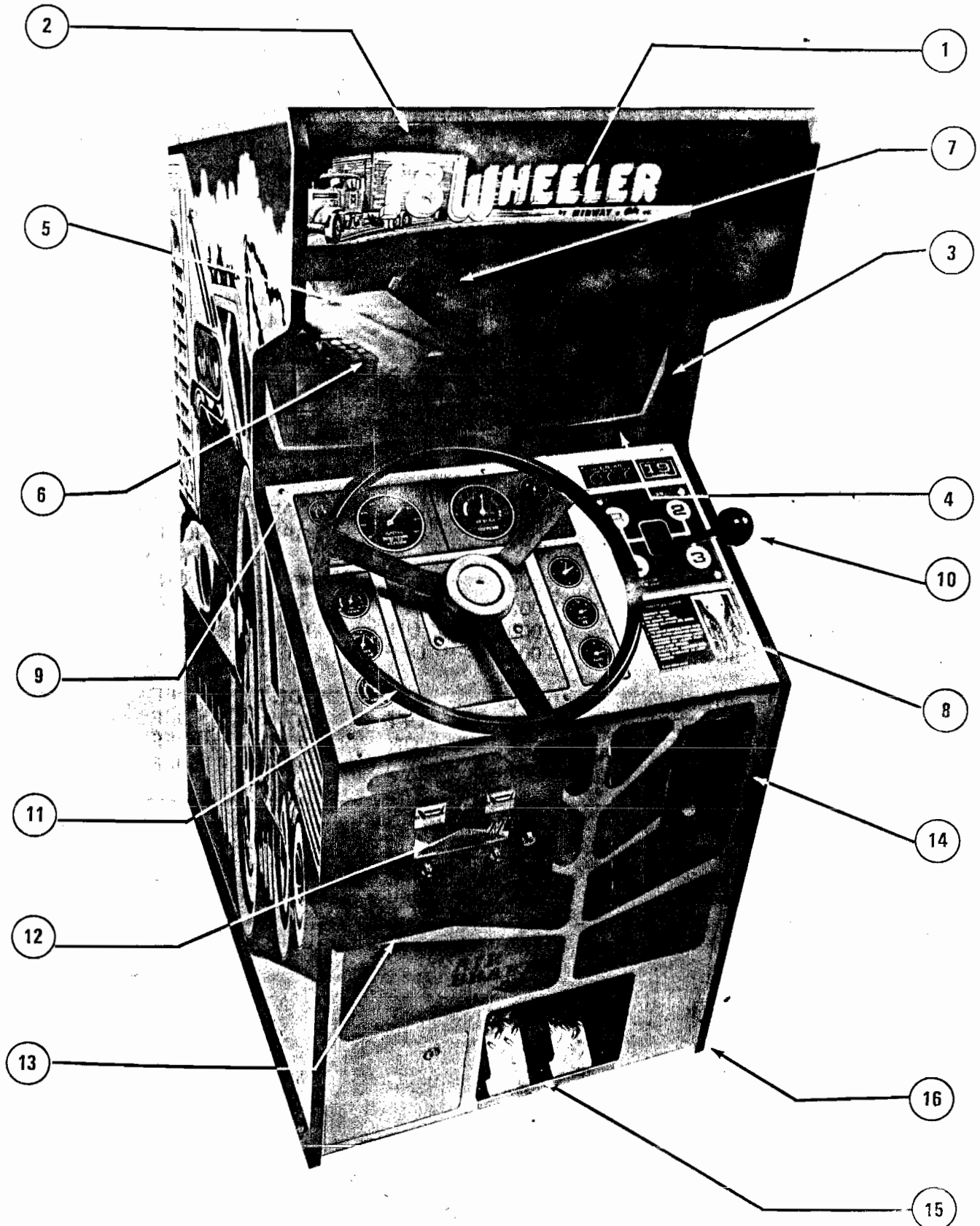
MIDWAY MFG. CO.

A BALLY COMPANY

10750 WEST GRAND AVENUE
FRANKLIN PARK, ILLINOIS 60131
U.S.A.

PHONE: (312) 451-1360 CABLE ADDRESS: MIDCO TELEX NO.: 72-1596

NO. 653 — 18 WHEELER — PICTURE



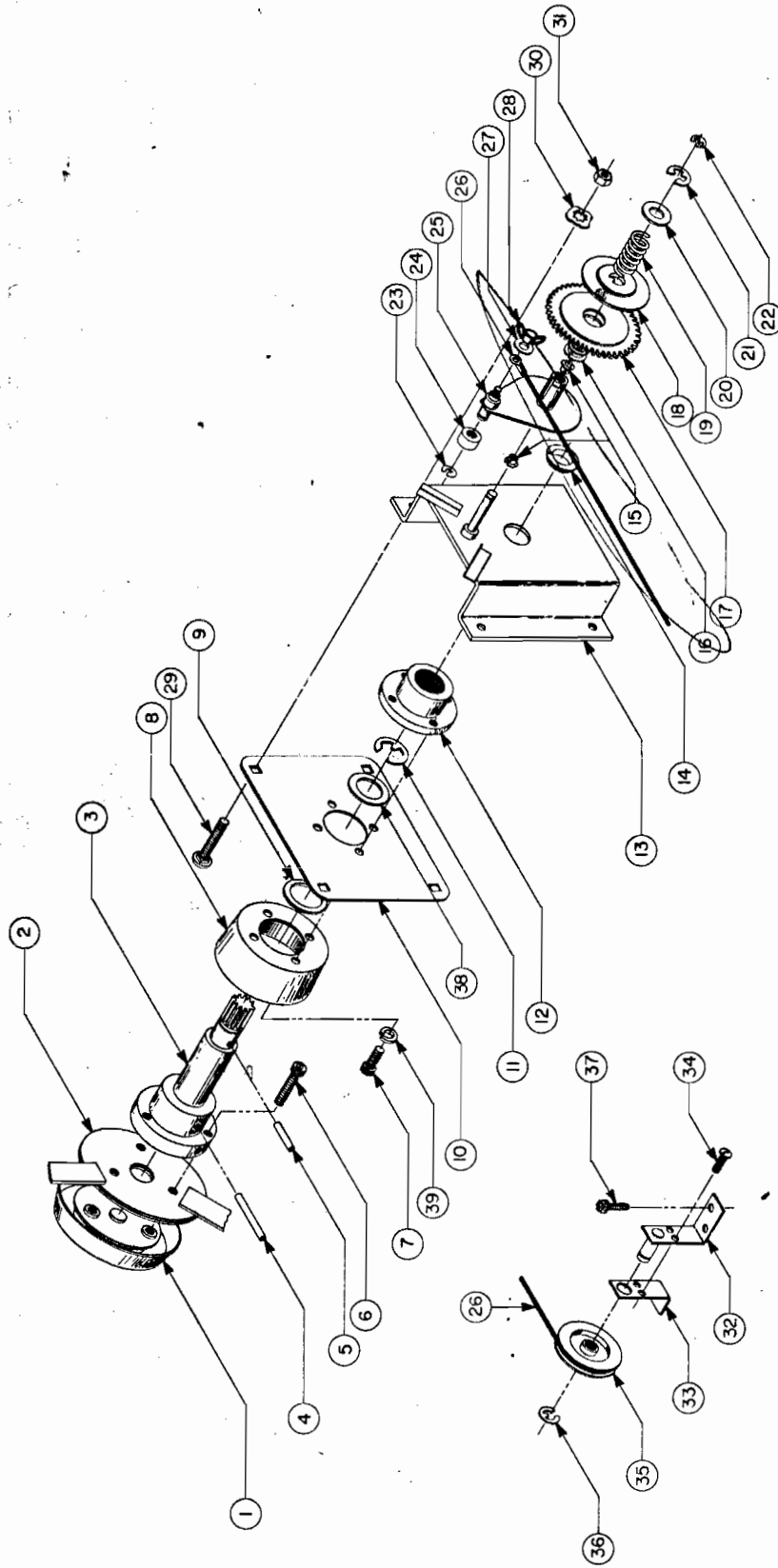
ORDER BY PART NUMBER ONLY

ITEM	PART NO.	DESCRIPTION
1	0653-00911-01SC	DISPLAY PLEX
2	0537-00903-0023	GLASS CHANNEL - 27 ³ / ₄ "
3	0537-00903-0042	GLASS CHANNEL - 18 ³ / ₄ " (2 REQD.)
4	0629-00902-0500	GLASS LIFT CHANNEL - 27-7/8"
5	0653-00910-0000	PLEXIGLASS SCREEN
6	A653-00038-0000	TRUCK SYSTEM ASSY.
	A084-91326-B653	TRUCK LIGHTS P.C. BRD. ASSY.
X	0017-00031-0029	MIN. WEDGE SOCKET (8 REQD.)
	0017-00003-0226	6.3V WEDGE LAMP (8 REQD.)
7	A084-91325-C653	L.E.D. DISPLAY BRD. ASSY.
8	0653-00158-00XF	CONTROL PANEL PLATE
9	0017-00102-0079	#6-32 x 1 ¹ / ₄ CARRIAGE BOLTS (6 REQD.)
	0017-00104-0013	#6 PERIPHERY WASHER (6 REQD.)
	0017-00103-0005	#6-32 HEX NUT (6 REQD.)
10	A653-00048-0000	GEAR SHIFT ASSY.
11	0653-00902-00XF	STEERING WHEEL
12	A090-00020-2001	DOUBLE ENTRY COIN DOOR
	0017-00003-0102	COIN METER (MOUNTED ON DOOR)
13	0090-00002-02GR	COIN DOOR FRAME
	0017-00101-0555	#6-32 x 5/16 BLK. HEX HD. S.M.S. (3 REQD.) (MOUNTS DOOR TO FRAME)
14	0017-00009-0393	SPEAKER GRILL & HARDWARE
	0017-00003-0187	6 x 9 SPEAKER - 8 OHM, 9W
	0017-00101-0642	#8-32 x 1 ¹ / ₂ CARRIAGE BOLTS (4 REQD.)
15	A653-00028-0000	ACCELERATOR PEDAL UNIT ASSY.
16	0017-00102-0048	LEG LEVELERS (4 REQD.)
	0017-00103-0026	LEG LEVELER NUTS (4 REQD.)
		NOT SHOWN LIST
	0653-00908-00XF	1/8" MIRROpane MIRROR - 27-7/8x15-1/2x1/8" (UPPER)
	A653-00052-0000	1/4" MIRROpane MIRROR ASSY. - 27-7/8x15-7/8x1/4"
	0653-00148-0000	LOWER 1/4" MIRROpane RETAINER
	0653-00149-0000	UPPER 1/4" MIRROpane RETAINER
	0605-00104-01B0	GLASS LOCK BRKT. (2 REQD.)
	0017-00009-0009	TURNBUTTONS (2 REQD.)
	0603-00131-00XF	STRIKE (2 REQD.)

ORDER BY PART NUMBER ONLY

ITEM	PART NO.	DESCRIPTION
	0017-00009-0033	BASSICK CLAMP (3 REQD.)
	0017-00101-0028	#8 x 3/4 HEX HD. W/W BLK. SCR. (8 REQD.)
	0653-00907-0000	BACK-UP DISPLAY CARDBOARD
	0653-00914-00XF	SCORE MASK CARDBOARD
	0653-00913-0000	CARDBOARD BACK-UP FOR 1/4" MIRROPANE
	0653-00912-0000	CARDBOARD CABLE COVER-UP
	0586-00036-0000	ON-OFF SWITCH
	0567-00106-0100	SWITCH MTG. PLATE
	0017-00101-0025	#8 x 1/2 HEX HD. WD. SCR. (2 REQD.)
	A653-00029-0000	DISPLAY INSERT ASSY.
	0017-00003-0219	#194 WEDGE LAMP - 14V (5 REQD.)
	A653-00032-0000	BACKGROUND INSERT ASSY.
	0017-00003-0226	#444 WEDGE LAMP - 6.3V (27 REQD.)

NO. 653 — 18 WHEELER — PULLEY & STEERING WHEEL ASSEMBLIES



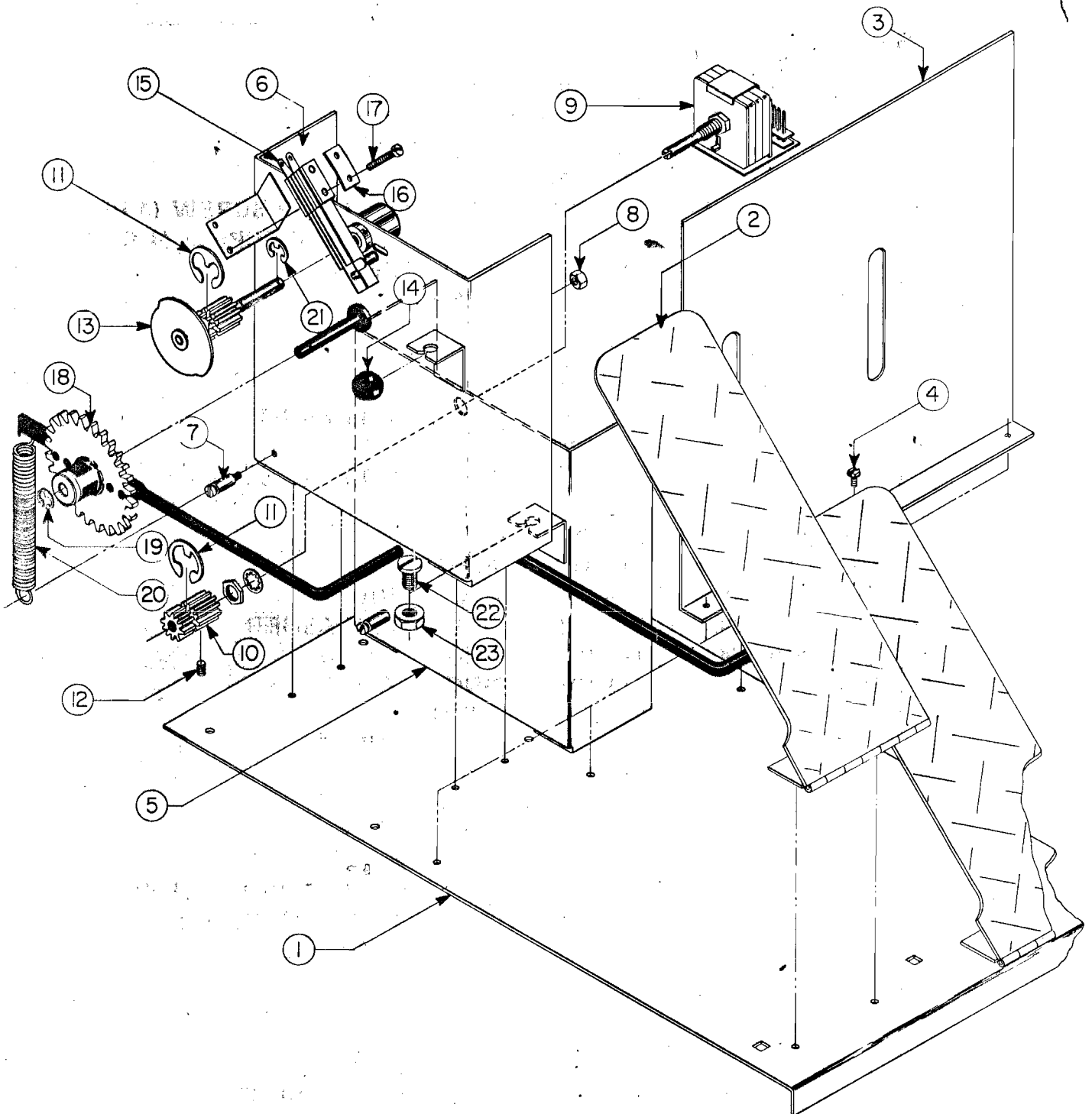
MIDWAY MFG. CO.
A BALLY COMPANY



ORDER BY PART NUMBER ONLY

ITEM	PART NO.	DESCRIPTION
1	A653-00001-0000	HORN BUTTON ASSY.
2	0653-00902-00XF	STEERING WHEEL
3	A653-00043-0000	SHAFT & HUB ASSY. <i>10</i>
4	0017-00007-0082	1/8 x 1-3/8 ROLL PIN
5	0017-00007-0077	1/8 x 3/4 ROLL PIN
6	0017-00101-0344	1/4 - 20 x 1-1/4 SOCKET CAP SCREW (3 REQD.)
7	0017-00102-0005	1/4 - 20 x 5/8 SOCKET CAP SCREW (4 REQD.)
8	0653-00917-0000	STEERING POST SHIELD
9	0653-00918-0000	NYLON WASHER
10	0653-00150-0000	TOP PLATE
11	0017-00100-0109	3/4 "E" - RING
12	0017-00009-0088	BEARING ASSY.
13	A653-00046-0000	STEERING BRKT. WELDMENT
14	0017-00042-0168	3/4 NYLINER
15	0017-00042-0022	1/4 NYLINER (2 REQD.) <i>20</i>
16	0017-00042-0097	1/2 NYLINER
17	A653-00044-0000	GEAR ASSY.
18	0653-00153-0000	CLUTCH WASHER
19	0010-00594-0000	COMPRESSION SPRING
20	0017-00104-0044	3/4 x 1/2 x 1/16 STL. WASHER
21	0017-00100-0050	1/2 "E" - RING
22	0017-00100-0025	1/4 "E" - RING
23	0017-00100-0031	5/16 "E" - RING
24	0017-00104-0090	RUBBER STOP WASHER
25	A653-00047-0000	PIVOT STOP ASSY.
26	0653-00160-0000	STEERING CABLE
27	0017-00104-0023	STL. WASHER
28	0017-00103-0070	#10 - 32 WING NUT
29	0017-00102-0019	1/4 - 20 x 1-1/2 CARRIAGE BOLTS (4 REQD.)
30	0017-00104-0014	1/4 PERIPHERY WASHER (4 REQD.)
31	0017-00103-0018	1/4 - 20 HEX NUT (4 REQD.)
		PULLEY ASSEMBLY
32	A653-00050-0000	PULLEY BRKT. ASSY. (2 REQD.)
33	0653-00166-0000	CABLE GUIDE (2 REQD.)
34	0017-00101-0558	#6 - 32 x 5/16 S.T.M.S. (4 REQD.)
35	0017-00042-0206	PULLEY (2 REQD.)
36	0017-00100-0031	5/16 "E" RING (2 REQD.)
37	0017-00101-0027	#8 x 3/4 HEX HD. WD. SCREWS (4 REQD.)
38	0017-00104-0080	1-1/4 x 3/4 x 1/16 STL. WASHER
39	0017-00104-0005	1/4 SPLIT LOCKWASHER (4 REQD.)

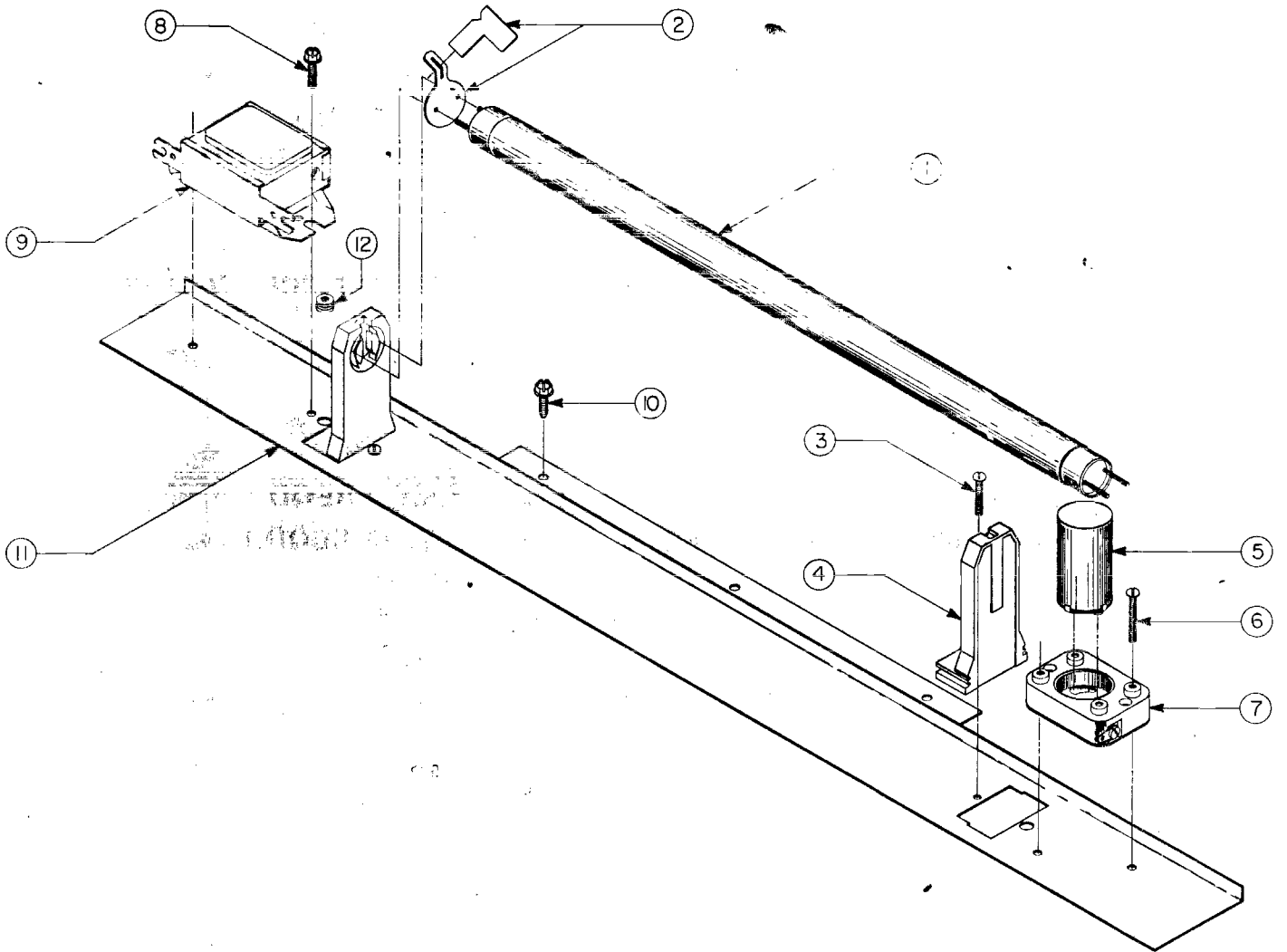
NO. 653 — 18 WHEELER — BRAKE & ACCELERATOR PEDAL ASSY.



ORDER BY PART NUMBER ONLY

ITEM	PART NO.	DESCRIPTION
1	0653-00105-0000	CONTROL MTG. BRKT.
2	0610-00002-0000	ACCELERATOR PEDAL & HINGE ASSY. (2 REQD.)
3	0653-00104-0000	ACCEL. PEDAL COVER PLATE
4	0017-00101-0597	#8 x 5/16 HEX HD. S.T. SCR. (17 REQD.)
5	0610-00004-0000	MTG. BRKT. ASSY. - ACCELERATOR
6	A653-00003-0000	MTG. BRKT. ASSY. - BRAKE
7	0011-00100-0600	PIVOT POST (2 REQD.)
8	0017-00103-0011	#10 - 32 LOCK NUT (2 REQD.)
9	A082-91101-B000	ANGLE ENCODER SWITCH (1 REQD.)
10	0583-00723-0000	GEAR (1 REQD.)
11	0017-00100-0050	1/2" E - RING (2 REQD.)
12	0017-00101-0308	#8 - 32 x 3/16 SOCKET SET SCREW (2 REQD.)
13	A653-00067-0000	SWITCH CAM ASSY.
14	017-00041-0015	RUBBER BUMPER (2 REQD.)
15	A653-00053-0000	BRAKE SW. ASSY.
16	0020-00202-0000	SWITCH PLATE
17	0017-00101-0529	#5 - 40 x 7/8 R.H.M.S. (2 REQD.)
18	0610-00003-0000	GEAR & LEVER ASSY. (2 REQD.)
19	0017-00100-0031	5/16" E - RING (2 REQD.)
20	0010-00228-0000	SPRING (2 REQD.)
21	0017-00100-0025	1/4" E - RING (2 REQD.)
22	0017-00101-0785	1/4 - 20 x SLT. EXT. PAN HD. S.T.M.S.
23	0653-00734-0000	STOP -ENCODER LIMIT

NO. 653 — 18 WHEELER — FLUORESCENT FIXTURE ASSY.

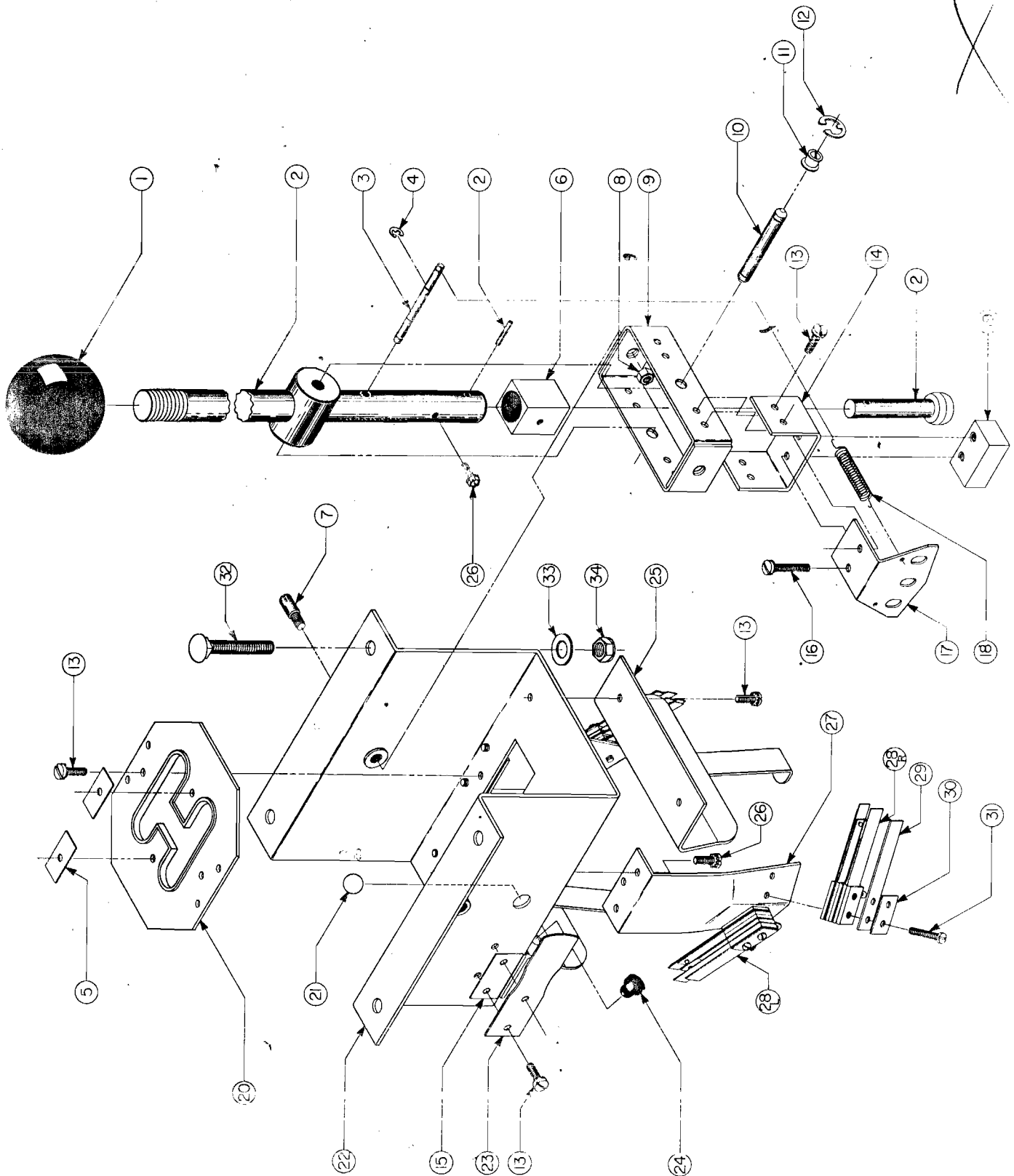


MIDWAY MFG. CO.
A BALLY COMPANY

ORDER BY PART NUMBER ONLY

ITEM	PART NO.	DESCRIPTION
1	0017-00003-0095	18" FLUORESCENT BLACK LIGHT
2	0017-00021-0005	FLUORESCENT LOCKS (2 REQD.)
3	0017-00101-0573	#6 - 32 x 1/2 R.H.M.S. (2 REQD.)
4	0017-00031-0036	FLUORESCENT SOCKET (2 REQD.)
5	0017-00003-0019	STARTER
6	0017-00101-0528	#5 - 40 x 3/4 R.H.M.S. (2 REQD.)
7	0017-00021-0079	STARTER HOLDER
8	0017-00101-0555	#6 x 5/16 HEX HD. S.M.S. (2 REQD.)
9	0017-00003-0026	BALLAST
10	0017-00101-0017	#6 x 1/2 BLK. HEX HD. W/W S.M.S. (3 REQD.)
11	A653-00054-0000	FLUORESCENT BRACKET ASSY.
12	0017-00041-0013	GROMMET (2 REQD.)

NO. 653 — 18 WHEELER — GEAR SHIFT ASSEMBLY



NO. 653 — 18 WHEELER — GEAR SHIFT ASSEMBLY

ORDER BY PART NUMBER ONLY

ITEM	PART NO.	DESCRIPTION
1	0017-00009-0435	KNOB
2	A653-00041-0000	GEAR SHIFT LEVER & SW. ACTIVATOR ASSY.
3	0653-00726-0000	SPRING PIN
4	0017-00100-0021	7/32" "E" RING (2 REQD.)
5	0653-00178-0000	WASHER PLATE (2 REQD.)
6	0653-00924-0000	SHAFT ADAPTOR
7	0653-00727-0000	GIMBEL PIN (2 REQD.)
8	0017-00103-0049	5/16 - 18 HEX NUT (2 REQD.)
9	A653-00007-0000	PIVOT ASSY.
10	0653-00705-0000	PIVOT PIN
11	0017-00042-0023	NYLINER (2 REQD.)
12	0017-00100-0037	3/8" "E" RING (2 REQD.)
13	0017-00101-0652	#10 - 32 x 3/8" SLOT. PAN HD. EXT. S.E.M.S. (16 REQD.)
14	0653-00156-0000	U-BRACKET
15	0653-00170-0000	SPRING PLATE
16	0017-00101-0796	#10 - 32 x 3/4" SLOT. PAN HD. EXT. S.E.M.S. (2 REQD.)
17	0653-00110-0000	DETENT BRKT.
18	0010-00255-0000	SPRING (2 REQD.)
19	0653-00163-00XF	SUPPORT
20	0653-00916-0000	GEAR PLATE
21	0017-00006-0052	BALL BEARING
22	0653-00113-0000	HOUSING
23	0653-00109-0000	DETENT SPRING
24	0017-00041-0015	RUBBER BUMPER (4 REQD.)
25	A653-00042-0000	SWITCH MTG. BRKT. & LEG ASSY. (2 REQD.)
26	0017-00101-0599	#8 - 32 x 3/8 SLOT. HEX HD. S.E.M.S. (6 REQD.)
27	0653-00162-0000	SWITCH MTG. DEVICE (2 REQD.)
28R	A653-00005-0000	SWITCH ASSY. - RIGHT (2 REQD.)
28L	A653-00006-0000	SWITCH ASSY. - LEFT (2 REQD.)
29	0091-00119-0000	BACK UP STRIP
30	0020-00202-0000	SWITCH PLATE (4 REQD.)
31	0017-00101-0528	#5 - 40 x 3/4" PAN HD. M.S. (8 REQD.)
32	0017-00102-0071	5/16 - 18 x 1-1/2" CARRIAGE BOLTS (4 REQD.)
33	0017-00104-0046	FLAT WASHER (4 REQD.)
34	0017-00103-0027	5/16 - 18 ELASTIC STOP NUT (4 REQD.)
		NOT SHOWN LIST
	0653-00107-0000	SLIDE DISC
	0653-00176-0000	SWITCH MTG. BRACE
	0653-00175-0000	PROTECTION PLATE
	0017-00101-0598	#8 - 32 x 5/16" S.T. SLT. HEX HD. M.S. (2 REQD. FOR ABOVE BRACE & 2 REQD. PLATE)

ORDER BY PART NUMBER ONLY

ITEM	PART NO.	DESCRIPTION
1	A653-00024-0000	PAN & HUB ASSY.
2	0040-00617-0000	D. C. MOTOR 12V, 16 R.P.M.
3	A653-00016-0000	MOTOR MOUNT ASSY.
4	A653-00012-0000	SUPPORT BRKT. ASSY.
5	0017-00101-0086	#8 x 5/16 SLT. HEX WASHER HD. S.M.S. (16 REQD.)
6	0010-00258-0000	3/4" LG. SPRING
7	0653-00701-0000	PULLEY - DRIVE
8	0017-00041-0051	DRIVE TIRE - 2" O.D. x 1-1/2" I.D. x 1/4"
9	0017-00101-0305	#6 - 32 x 3/8 SET SCREEN (4 REQD.)
10	A653-00017-0000	MOTOR PIVOT BRKT. & STUD ASSY.
11	0017-00100-0031	5/16 E - RING (2 REQD.)
12	0010-00254-0000	SPRING LENS RETAINER
13	0653-00900-0000	OBJECTIVE LENS
14	0653-00718-0000	LENS HOLDER
15	0017-00101-0085	#6 x 5/16 SLT. HEX WASHER HD. S.M.S. (12 REQD.)
16	A653-00013-0000	OBJECTIVE LENS MTG. ASSY.
17	0017-00101-0605	#8 - 32 x 3/8 THUMB SCREW M.S. (2 REQD.)
18	0017-00101-0596	#8 - 32 x 1/2 SLT. HEX HD. WASHER M.S. (5 REQD.)
19	0017-00103-0061	#8 - 32 HEX LOCK NUT (2 REQD.)
20	A653-00011-0000	CONDENSOR LENS ASSY.
21	A653-00023-0000	HEAT SHIELD & CONDENSOR LENS ASSY.
22	0067-011XX-XXFX	INDUCTOR - 125mh, .55A., 60HM
23	0017-00101-0599	#8 - 32 x 3/8 SLT. EXT. HEX M.S. S.E.M.S. (4 REQD.)
24	0017-00003-0237	PROJECTOR LAMP - 120V, 300W
25	A653-00070-0000	SOCKET & BRACKET ASSY.
26	0653-00188-0000	AIR DEFLECTOR
27	A653-00018-0000	HUB & SHAFT ASSY. - SCENERY DISC
28	0017-00104-0094	NYLON WASHER
29	0653-00921-0000	GEAR REWORK
30	A653-00055-0000	HUB & CAM ASSY. - 180°
31	0017-00101-0308	#8 - 32 x 3/16 SET SCREW (4 REQD.)
32	0017-00042-0093	NYLINER
33	A653-00064-0000	ENCODER & PINION ASSY.
34	0653-00172-0000	SWITCH BRACKET
35	A760-00044-0000	SWITCH ASSY.
36	0020-00202-0000	SWITCH PLATE
37	0017-00101-0527	#5 - 40 x 5/8 SLT. RD. HD. M.S. (2 REQD.)

ORDER BY PART NUMBER ONLY

ITEM	PART NO.	DESCRIPTION
38	0017-00009-0454	FAN - 10 BLADE - 4" DIA.
39	0017-00003-0236	A. C. MOTOR 110V.
40	0653-00129-0000	FAN MOTOR PLATFORM
41	0017-00103-0005	#6 - 32 HEX NUT (2 REQD.)
42	0017-00042-0204	PLASTIC SPACER (2 REQD.)
43	0017-00101-0583	#6 - 32 x 1-1/4 SLT. RD. HD. M.S. (2 REQD.)
44	0653-00717-0000	PIVOT ROD
		NOT SHOWN LIST
	0010-00257-0000	EXTENSION SPRING - BASE - 6-1/4" LG.
	A653-00020-0000	BEARING ASSY. - BASE
	A653-00021-0000	UPPER BEARING SUPPORT ASSY.
	0653-00901-00SC	SCENERY DISC
	0653-00142-0000	PROJECTOR LIGHT SHROUD
	0653-00138-0000	PROJECTOR SHROUD CAP

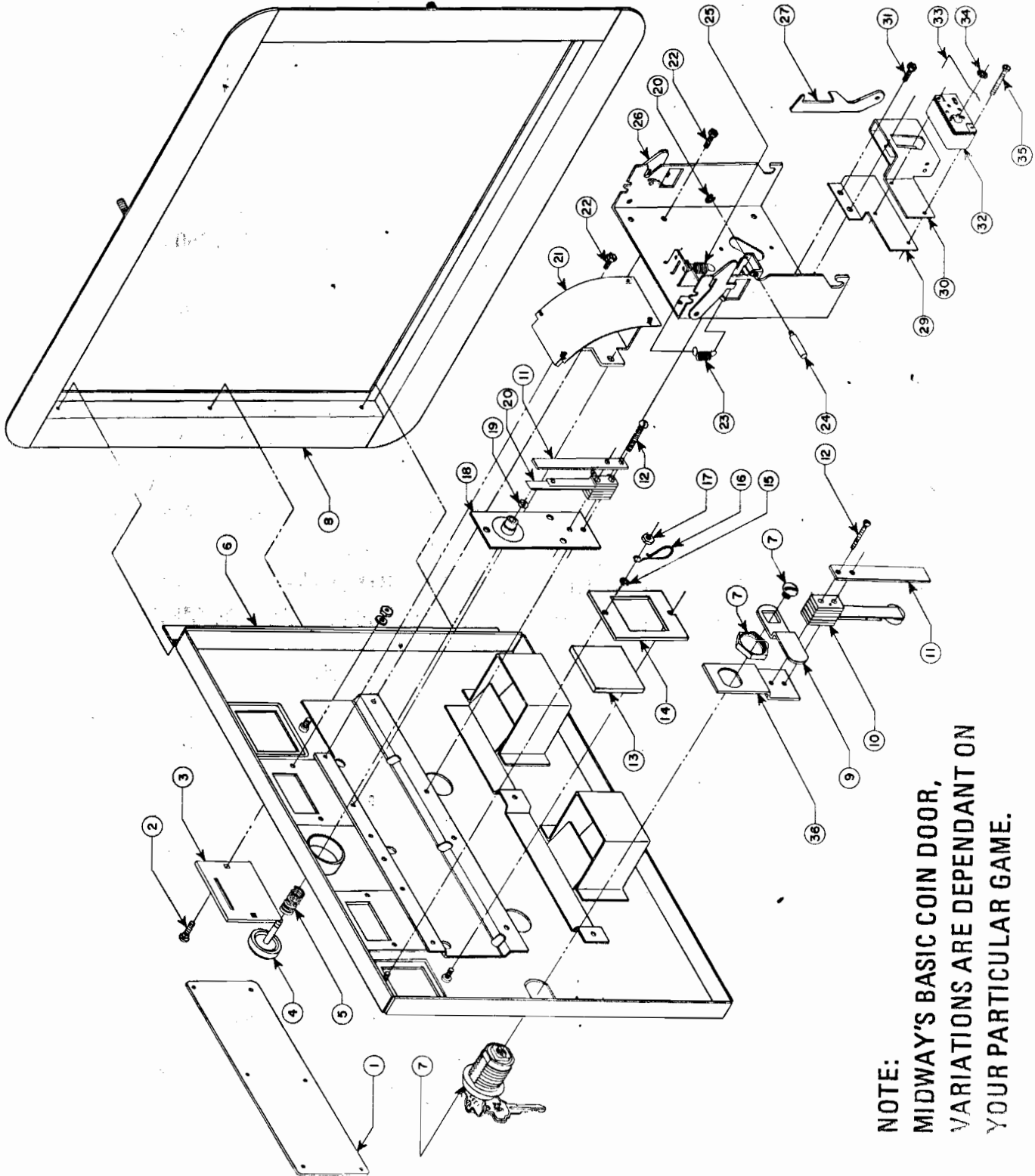
X

NO. 653 — 18 WHEELER — ADDITIONAL PARTS LIST

ORDER BY PART NUMBER ONLY

ITEM	PART NO.	DESCRIPTION
	A097-00001-0000	LOCK ASSY. (1 UPPER, 1 LOWER)
	0618-00117-00ZN	VENT SCREEN (1 UPPER, 1 LOWER)
		NEXT FOUR ITEMS FOR 1ST 250 GAMES
	0653-00139-0000	COIN BOX
	A653-00026-0000	COIN BOX COVER ASSY.
	A653-00025-0000	COIN BOX GUIDE BRACKET ASSY.
	0653-00117-0000	COIN BOX GUIDE BRACKET
		NEXT FOUR ITEMS AFTER THE 250TH GAME
	A653-00068-0000	COIN BOX ASSY.
	A653-00069-0000	COIN BOX COVER ASSY.
	0653-00182-0000	COIN BOX SIDE CHANNEL
	0653-00183-0000	COIN BOX COVER
	0017-00101-0642	#8 - 32 x 1-1/2" CARRIAGE BOLTS (4 REQD.)
	0017-00003-0225	SAFETY INTERLOCK SWITCH
	0625-00133-0000	SWITCH BRACKET
	0017-00101-0025	#8 x 1/2" HEX HD. W/W S.M.S. (2 REQD.)
	A653-00022-0000	COIN DROP CHUTE ASSY.
	A084-90700-A653	GAME LOGIC BOARD ASSY.
	A084-90004-B653	MOTHER BOARD ASSY. - Z80 COMPACT
	A653-00065-0000	TRANSFORMER BOARD ASSY.
	A084-90406-C760	POWER SUPPLY ASSY.
	A084-91334-A653	SENSOR P.C. BOARD ASSY. (TRUCK)
	0653-00141-0000	SENSOR P.C. ADJ. & SUPPORT BRKT.
	0624-00902-0100	P.C. SUPPORT BRACKET - 12" (3 REQD.)
	0624-00902-0300	P.C. SUPPORT BRACKET - 2-1/2" (4 REQD.)
	0653-00920-0000	BLACK SHIELD 16 x 28-7/8 - UNDER CONTROL SHELF
	0653-00922-0000	INSULATOR 9 x 5-1/2" - TRANSFORMER
	0653-00923-0000	INSULATOR 3 x 3-3/4" - SENSOR P.C.
		TRANSFORMER ASSY.
	MT00-00075-0000	TRANSFORMER 120V, 60 CYCLE
	0720-00001-0300	FUSE BLOCK
	0017-00003-0006	FUSE - 3A
	0017-00003-0169	FUSE - 5A
	0017-00003-0064	LINE CORD

NO. 653 — 18 WHEELER — FRONT DOOR ASSY.



NOTE:
MIDWAY'S BASIC COIN DOOR,
VARIATIONS ARE DEPENDANT ON
YOUR PARTICULAR GAME.

NO. 653 — 18 WHEELER — FRONT DOOR ASSY.

ORDER BY PART NUMBER ONLY .

ITEM	PART NO.	DESCRIPTION
1	0090-00902-0000 0090-00902-0100	DRESS PLATE DRESS PLATE (W/O PRESS BUTTON TO START GAME)
2	0017-00101-0552	#6 - 32 x 1/4 CARRIAGE BOLT (2)
3	0090-00117-03XF	COIN ENTRY PLATE (25¢)
4	0090-00906-0000	PLASTIC START BUTTON
5	0010-00007-0000	COMPRESSION SPRING
6	0090-00013-0200	DOOR ASSY. DOUBLE ENTRY
7	0017-00005-0050	DOOR LOCK & KEY WITH SCREW & NUT
8	0090-00002-02BR	DOUBLE DOOR FRAME
9	0017-00005-0041	421 N.S. CAM
10	0090-00901-0000	DOOR SWITCH
11	0090-00126-01XF	SWITCH BACKUP PLATE
12	0017-00101-0528	#5 - 40 x 3/4" LNG. M.S.
13	0090-00903-0040	25¢ WINDOW
14	0090-00143-0000	COIN PLEX RETAINER
15	0017-00104-0002	SPLIT LOCK WASHER
16	0017-00007-0019	KEY HOOK
17	0017-00103-0005	#6 - 32 HEX NUT
18	0090-00010-0000	SW. PLATE & OILLITE ASSY.
19	0017-00100-0018	"E" RING
20	0090-00131-0000	SWITCH
21	0090-00104-0000	TOP & BTM. COIN CHUT W/BRKT. ASSY.
22	0017-00101-0598	#8 - 32 x 5/16 SCREW
23	0010-00181-0100	SPRING
24	0090-00129-00XF	PIVOT POST
25	0010-00134-0000	SPRING
26	0090-00008-0000	ACCEPTOR FRAME ASSY.
27	0093-00155-00XF	REJECTOR LEVER
28	0017-00100-0012	"E" RING
29	0093-00151-00XF	COIN GUIDE MTG. BRACKET
30	0090-00005-0000	COIN GUIDE ASSY.
31	0017-00101-0555	#6 - 32 x 5/16 SCREW
32	0017-00005-0039	COIN SWITCH
33	0010-00557-2500	TRIP WIRE
34	0017-00007-0132	PUSH-ON RING (BIK)
35	0017-00101-0507	#4 - 36 x 3/4 SCREW
36	0090-00128-00XF	SWITCH BRKT. - DOOR TILT