

**namco®**

***500GP***

***3 in 1***

**SUPPLEMENT MANUAL**

This game has been developed using the concept of the 500GP Motorcycle Grand Prix and uses bikes with the HONDA, YAMAHA and SUZUKI racing colours.

This game has been designed to be used as a three cabinet game rather than three individual games.

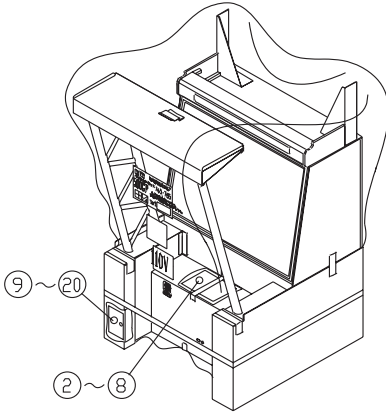
Only the colours and decals are different on each bike, all other components are the same. Please refer to the 500GP Manual for details.

# Contents

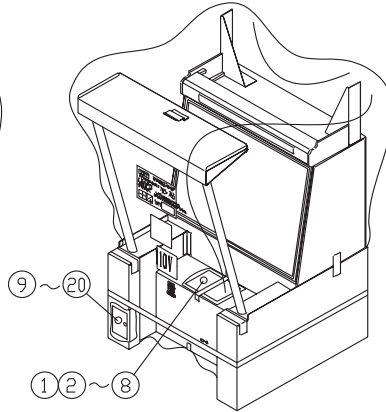
<b>1.ACCESSORIES .....</b>	<b>4</b>
<b>2.MAIN COMPONENTS .....</b>	<b>8</b>
500GP (Yamaha) Assy .....	8
500GP (Honda) Assy .....	8
500GP (Suzuki) Assy .....	9
<b>3.INSTALLATION .....</b>	<b>10</b>
3-1    Play Zone .....	10
3-2    Cabinet Order .....	11
<b>4.MAINTENANCE .....</b>	<b>12</b>
4-1    Replacing the Signal (H) Fluorescent .....	12
<b>5.OPERATION .....</b>	<b>13</b>
<b>6.PARTS .....</b>	<b>14</b>
6-1-1    Ride Assy (H) HONDA .....	14
6-1-2    Monitor Cabinet Assy (H) HONDA .....	14
6-2-1    Monitor Cabinet Assy (Y) YAMAHA .....	15
6-2-2    Ride Assy (Y) YAMAHA .....	16
6-3-1    Ride Assy (S) SUZUKI .....	18
6-3-2    Monitor Cabinet Assy (S) SUZUKI .....	20

# 1. ACCESSORIES

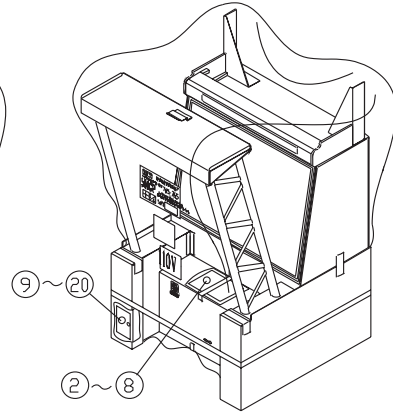
Monitor Cabinet Assy - (Y) - 1/4  
Yamaha



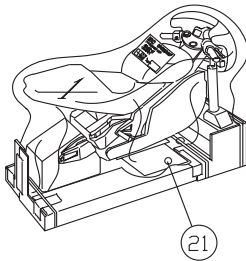
Monitor Cabinet Assy - (H) - 1/4  
Honda



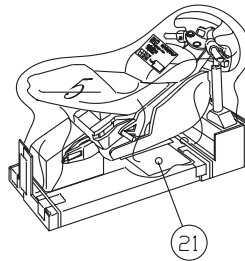
Monitor Cabinet Assy - (S) - 1/4  
Suzuki



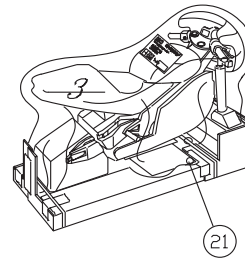
Ride Assy - (Y) - 2/4  
Yamaha







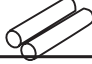
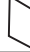

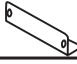













Ride Assy - (H) - 2/4  
Honda



Ride Assy - (S) - 2/4  
Suzuki



Item	Description	Quantity
1	500GP 3 in 1 Supplement Manual 	1
2	500GP Operation Manual 	1
3	Service & Rear Door Key 	2
4	Cashbox Key 	2
5	Price of Play Label 	1
6	Remote Control (for Projector) 	1
7	Batteries (for Remote Control) 	2
8	Fence Bracket 	2
9	Torx Wrench for M5 	1
10	Joint Bracket A 	2
11	Joint Bracket B 	2
12	Washer 	8
13	Socket Head Screw (M8x20) 	18
14	Button Head Screw (M8x20) 	8
15	Torx Screw (M5x20) 	10
16	Torx Screw (M5x12) 	8
17	3P to 2P Adaptor 	1
18	Mains Cable 	1
19	Communication (Link) Cable 	1
20	Earth Wire 	1
21	Fence 	2

Signal Assy (Y) 3 / 4  
(Yamaha)

Signal Assy (H) 3 / 4  
(Honda)

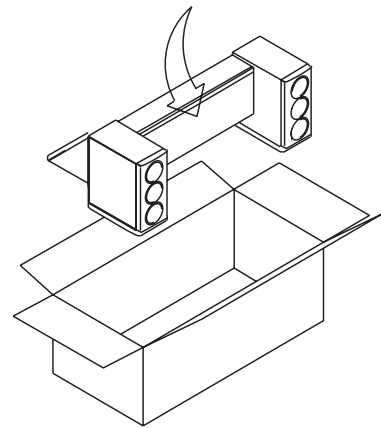
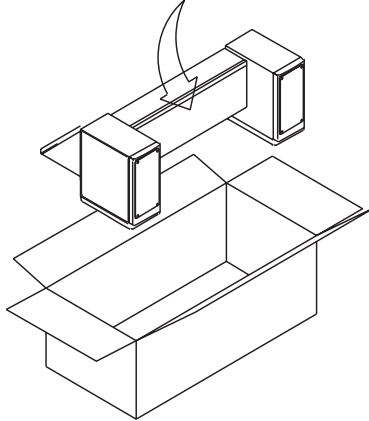
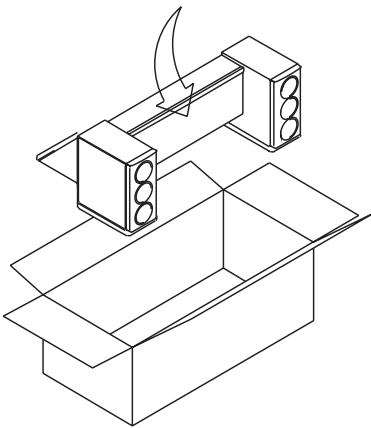
Signal Assy (S) 3 / 4  
(Suzuki)



Motorcycle #5

500GP

Motorcycle #3



Signboard Assy 4 / 4

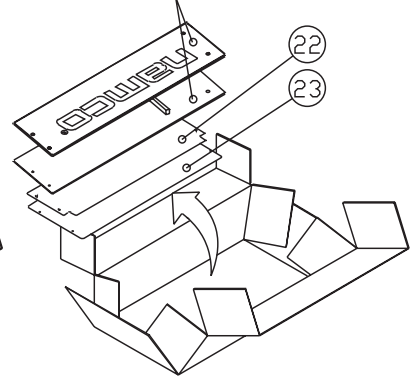
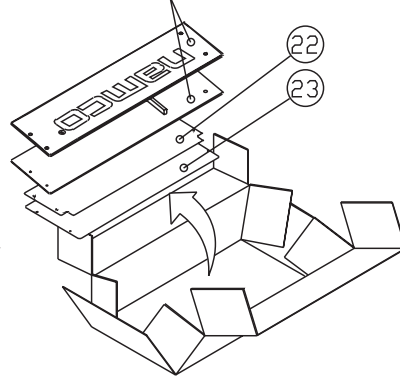
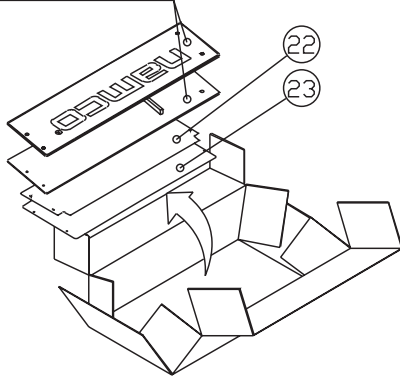
Signboard Assy 4 / 4



Signboard Assy 4 / 4

Signboard L & R

Signboard L & R

Signboard L & R

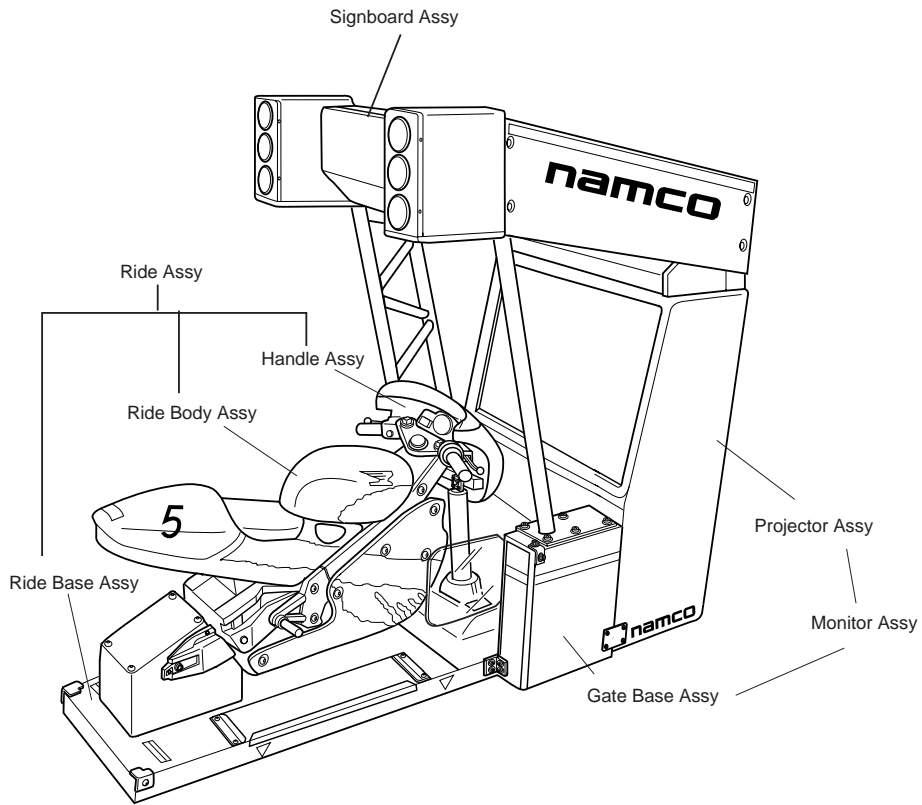


Item	Description	Quantity
22	Screen 	1
23	Rear Cover 	1

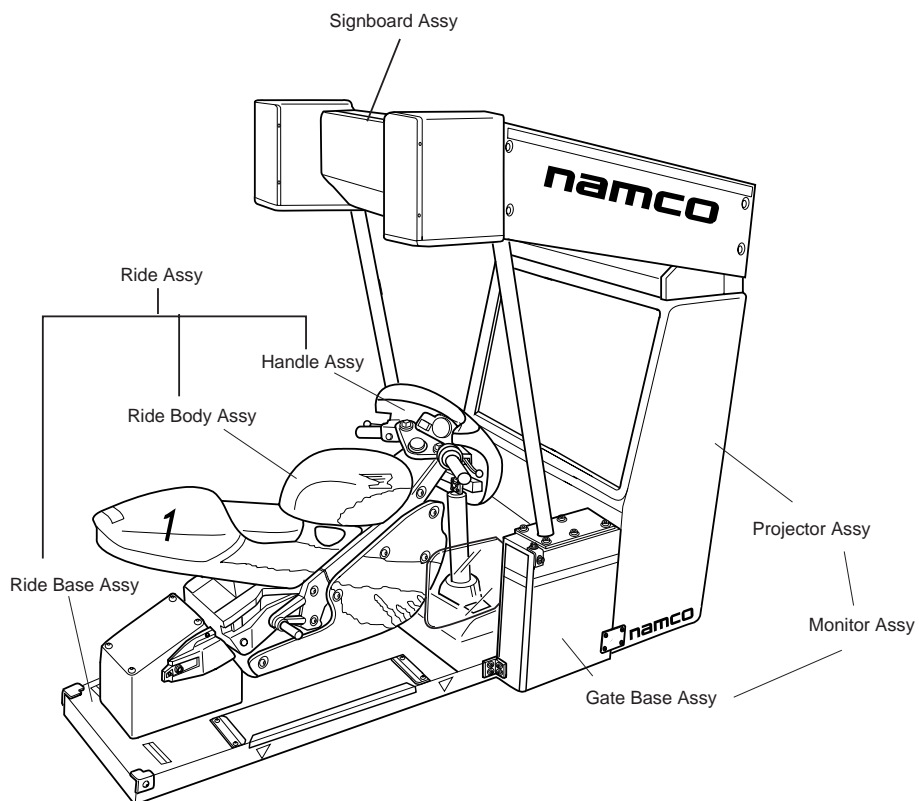


## 2. MAIN COMPONENTS

### 500GP (Yamaha) Assy

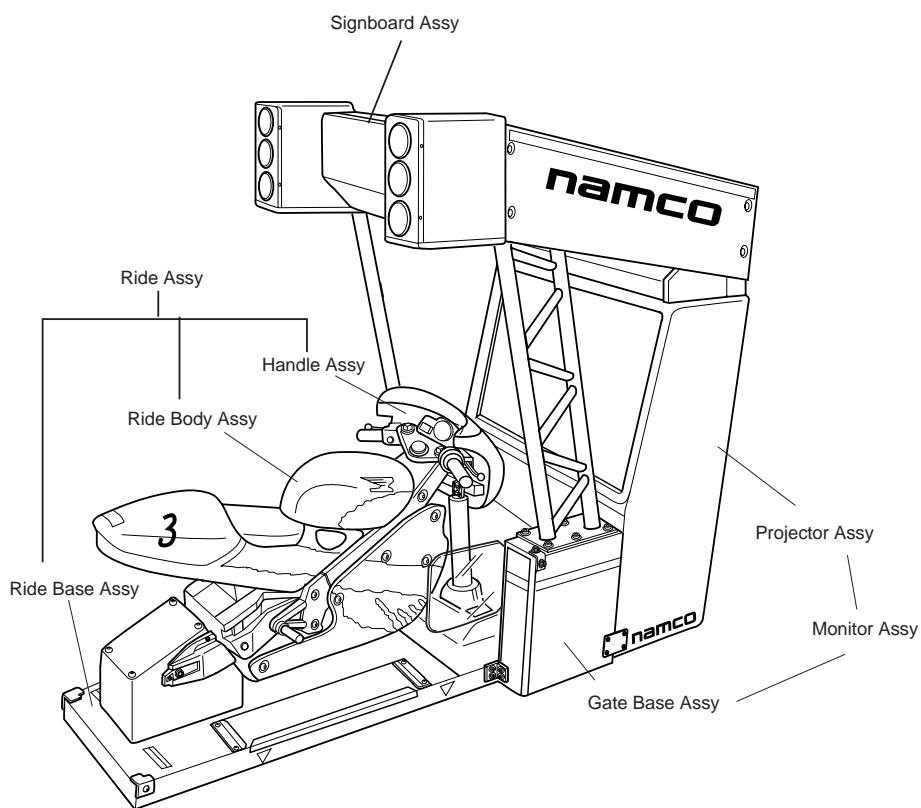


### 500GP (Honda) Assy





# 500GP (Suzuki) Assy



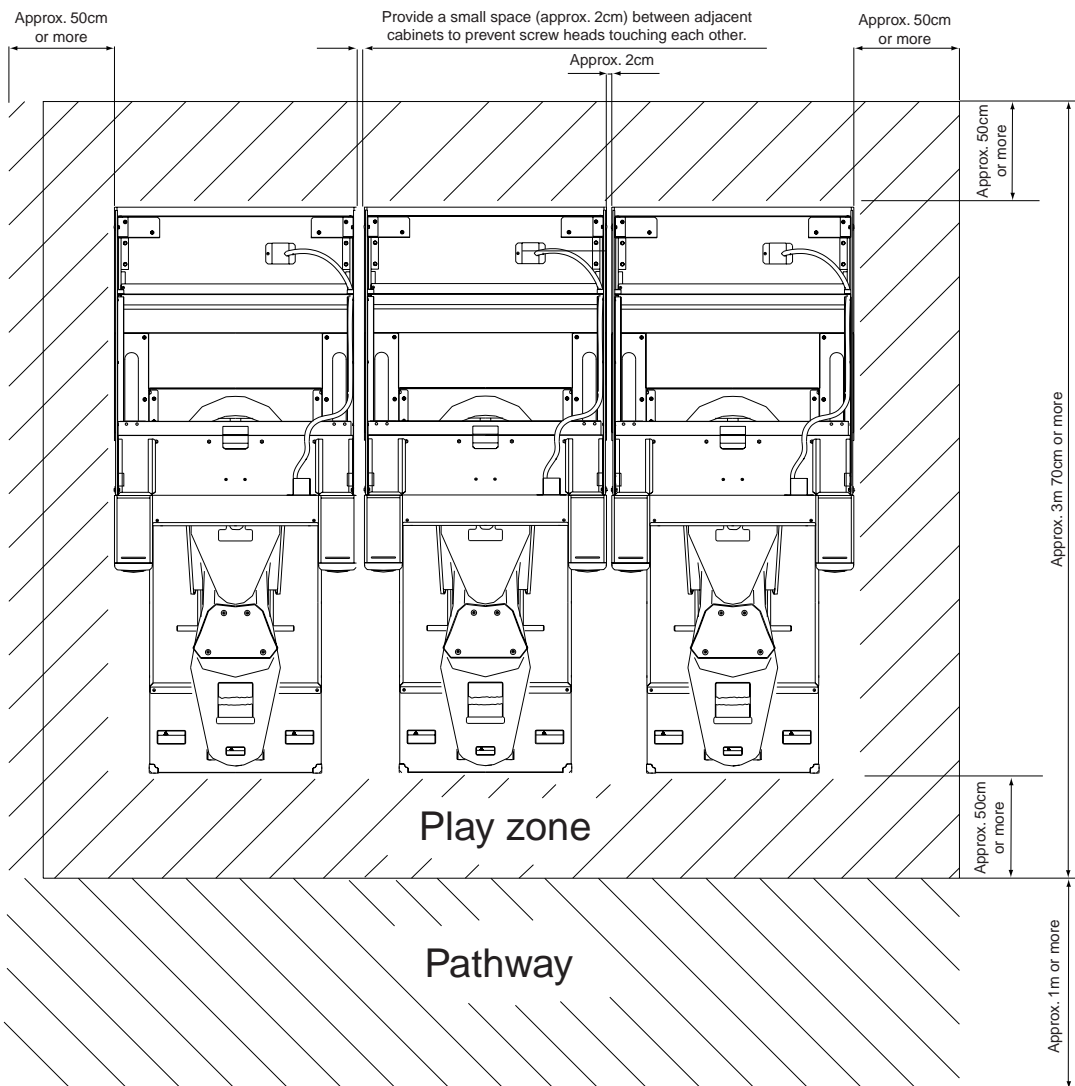
### 3. INSTALLATION

Please refer to the 500GP Operation Manual for general installation details.

#### 3-1 Play Zone

Set a play zone as illustrated below to prevent contact between players and observers.

The clearance between the floor and ceiling must be at least 2m 30cm.  
To enable access for service and maintenance, allow a clearance of at least 50cm between the game and walls or other equipment.



### 3-2 Cabinet Order

When Setting the cabinets together ensure that the YAMAHA Bike is on the left (as viewed from the front), the HONDA bike is in the centre and the SUZUKI bike is on the right.



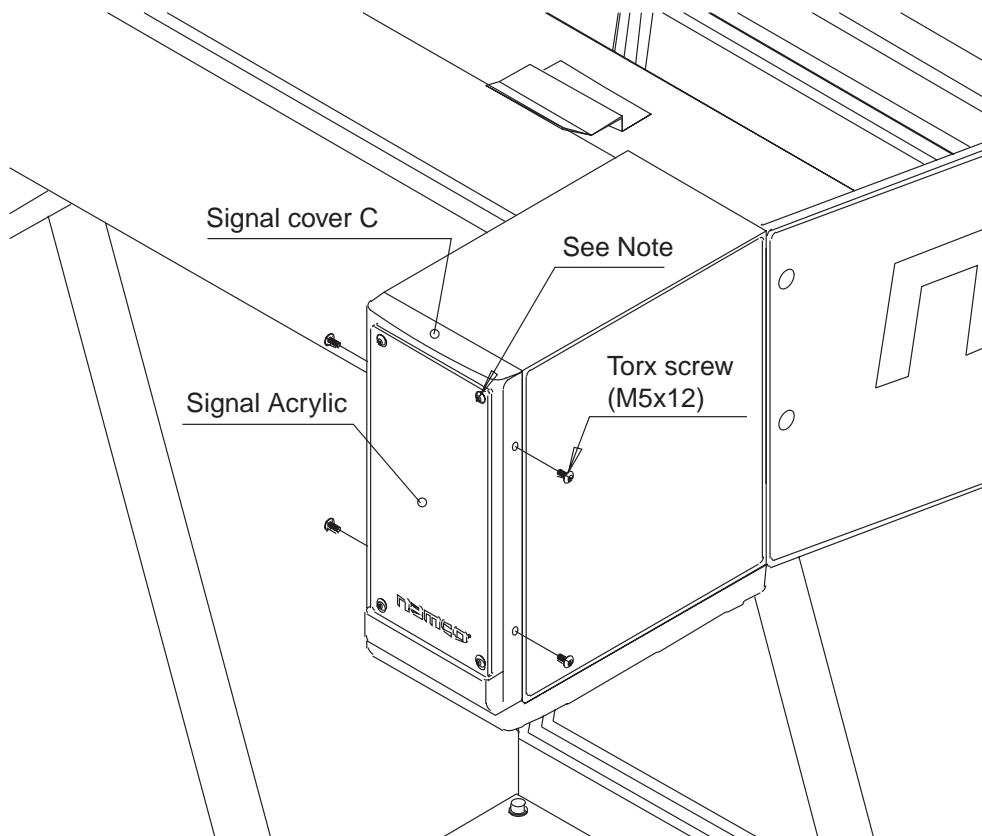
## 4. MAINTENANCE

### 4-1 Replacing the Signal (H) Fluorescent

Refer to the 500GP Operation Manual section 9-2-2 page 82 for general procedures.

1. Remove 4 off torx screw (M5x12) and remove the signal cover (C).
2. Replace the fluorescent tube or starter.
3. Reassemble in reverse order.

Note: Do not remove the 4 off screws retaining the signal acrylic as this will not give access to the fluorescent tube or starter.



## 5. OPERATION

### 5-1 3 Monitor Mode

The 3 monitor mode allows only a single player to play the game using the centre bike with the course displayed across all three projection screens.

1 To select 3 Monitor Mode enter 'OTHER' in the test mode, Set '3 Monitor Mode' ON on all three games.

2. Set the 'CPU ID' in 'Game Options' of the test mode as follows:

YAMAHA (left)	1	Blue
HONDA (centre)	2	Red
SUZUKI (right)	3	Yellow

3. Ensure that the settings for all 3 bikes are the same, i.e. difficulty, lap number etc.

(see section 5-3-5 page 27 and section 7-8 page 45 in the 500GP Operation Manual for details of the Test Mode and how to link games.)

When using this mode it is important to note the following:

- Only the centre bike (HONDA) is playable. The left (YAMAHA) and right (SUZUKI) bikes do not work.  
*Neither the left or right bikes count coins. Please cover the coin entries on these bikes to prevent players inserting money accidentally.*
- The engine sound will only come from the centre bike (HONDA).
- The 'How to Play Instructions' in the attract mode is different on the centre screen from the left/right screens.

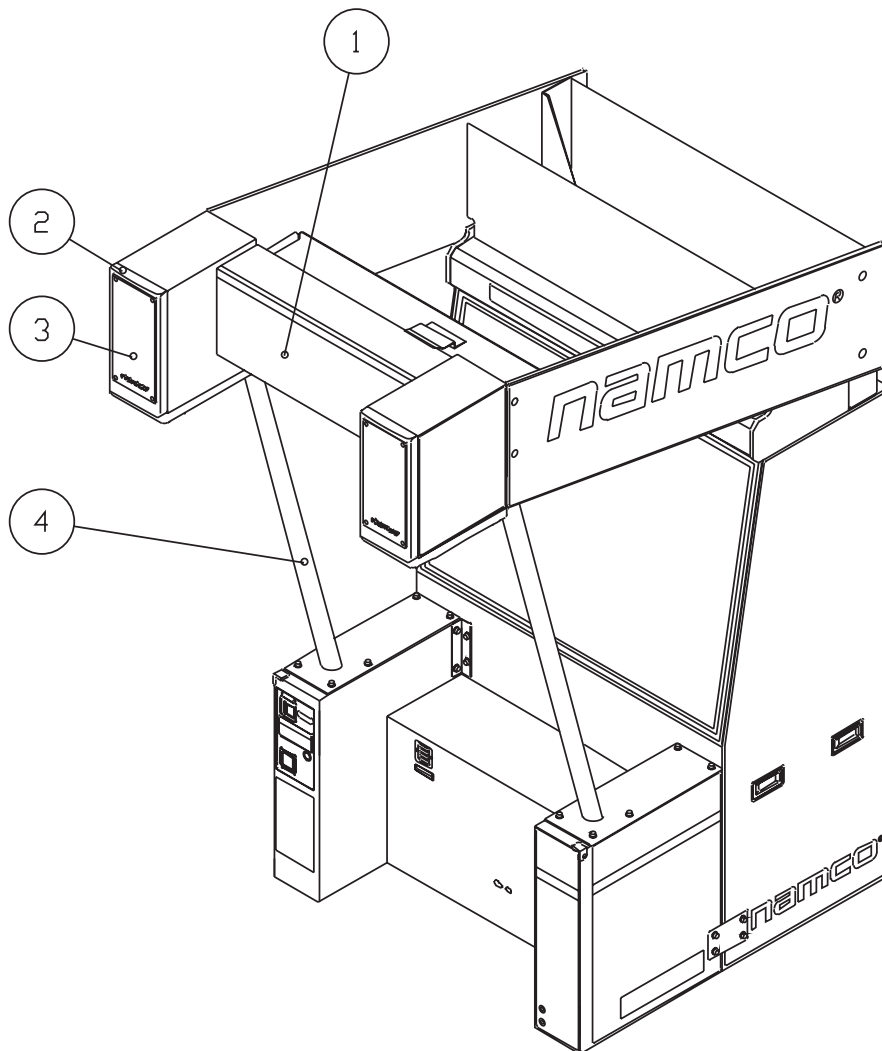
## 6. PARTS

The following lists of parts only show those parts that are specific to the 3 in 1 game. Refer to the 500GP Operation Manual for all other parts.

### 6-1-1 Ride Assy (H) HONDA

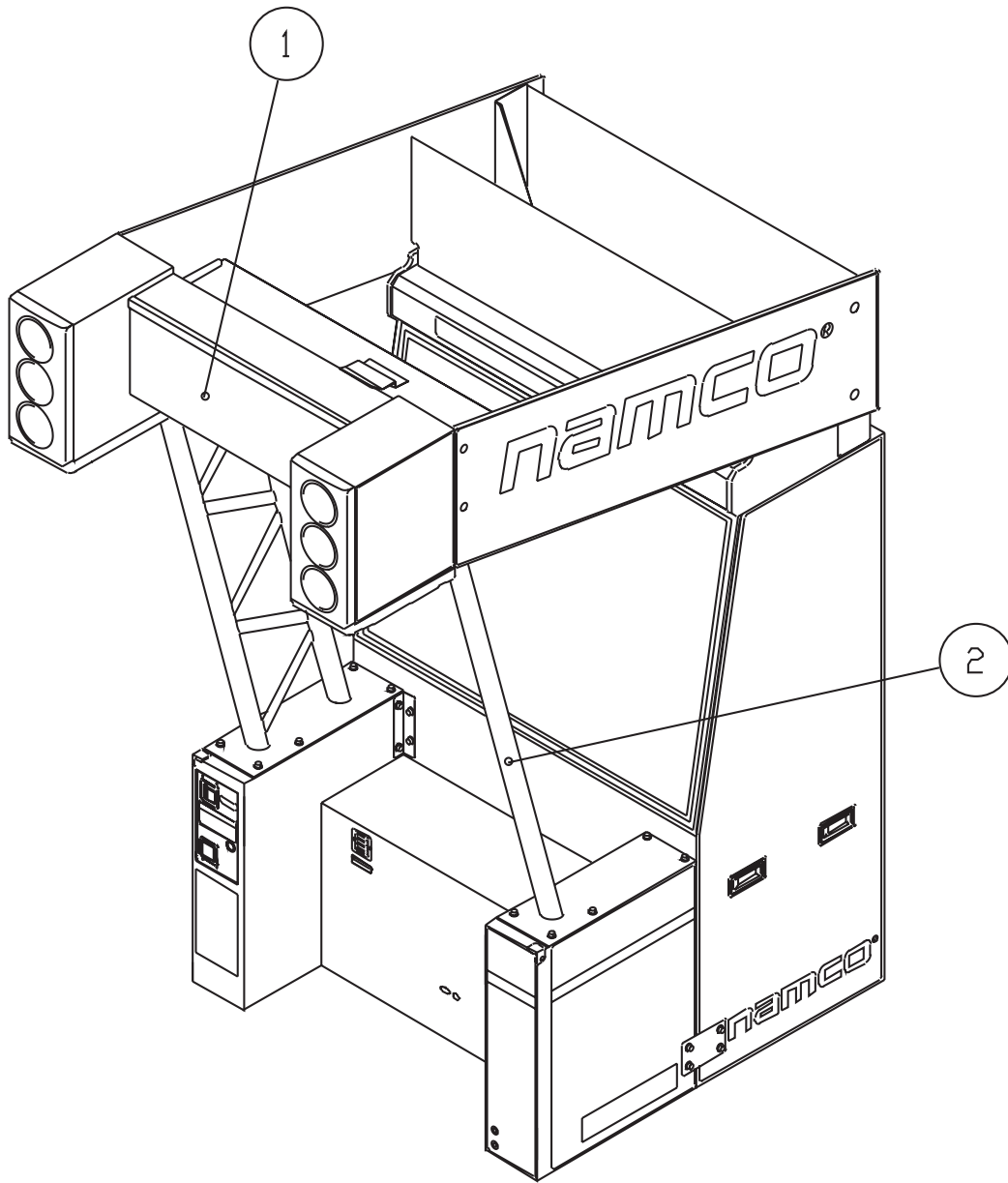
All parts are as shown in the 500GP Operation Manual.

### 6-1-2 Monitor Cabinet Assy (H) HONDA



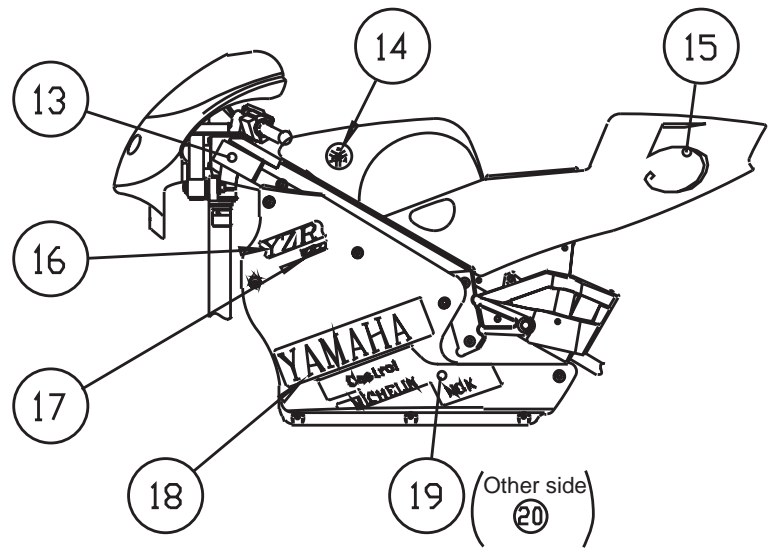
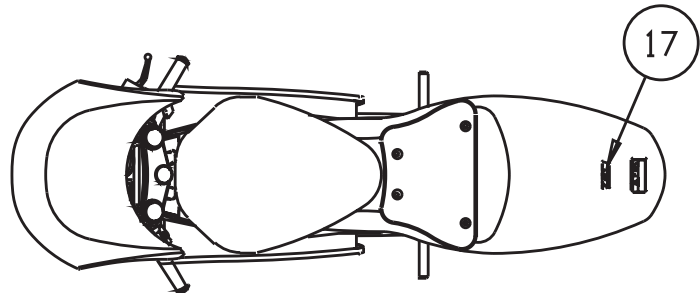
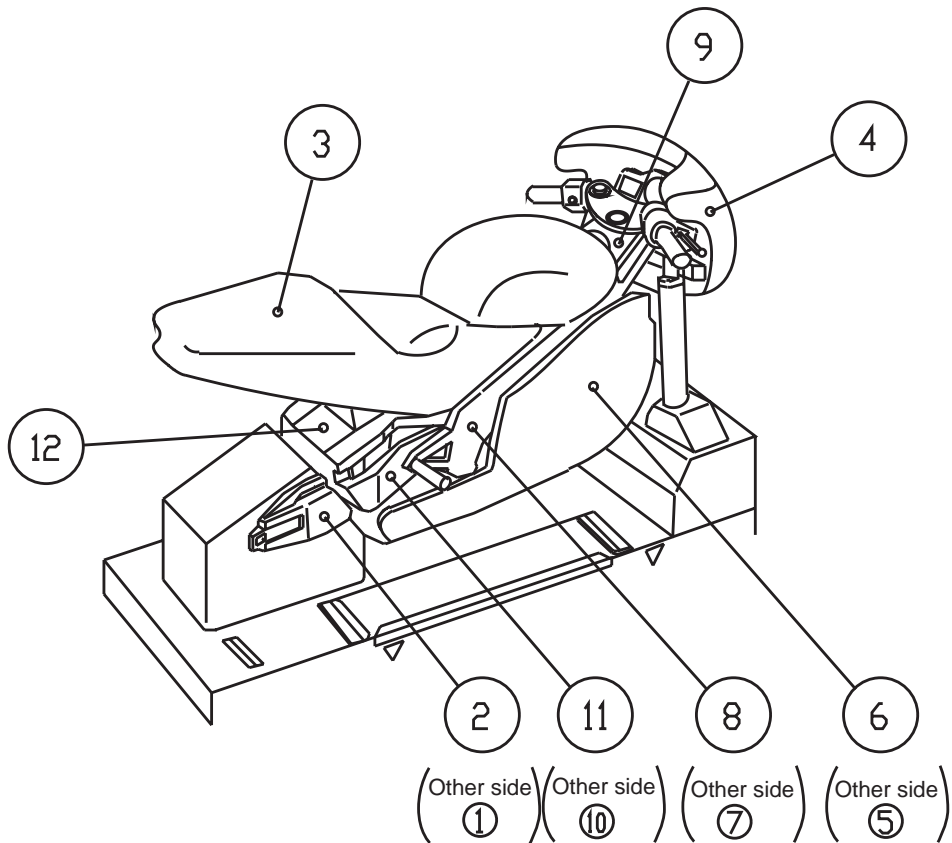
Item	Description	Part No
1	Sign Board	692-295
2	Signal Cover (C)	692-406
3	Signal Acrylic	692-407
4	Single Pole	692-405

6-2-1 Monitor Cabinet Assy (Y) YAMAHA



Item	Description	Part No
1	Signboard	692-408
2	Single Pole	692-405

6-2-2 Ride Assy (Y) YAMAHA





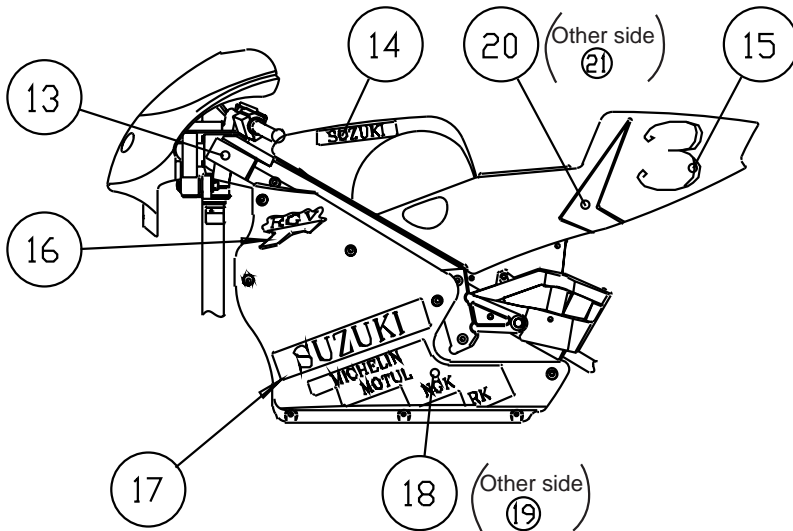
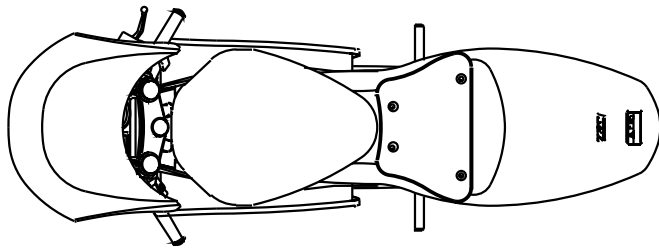
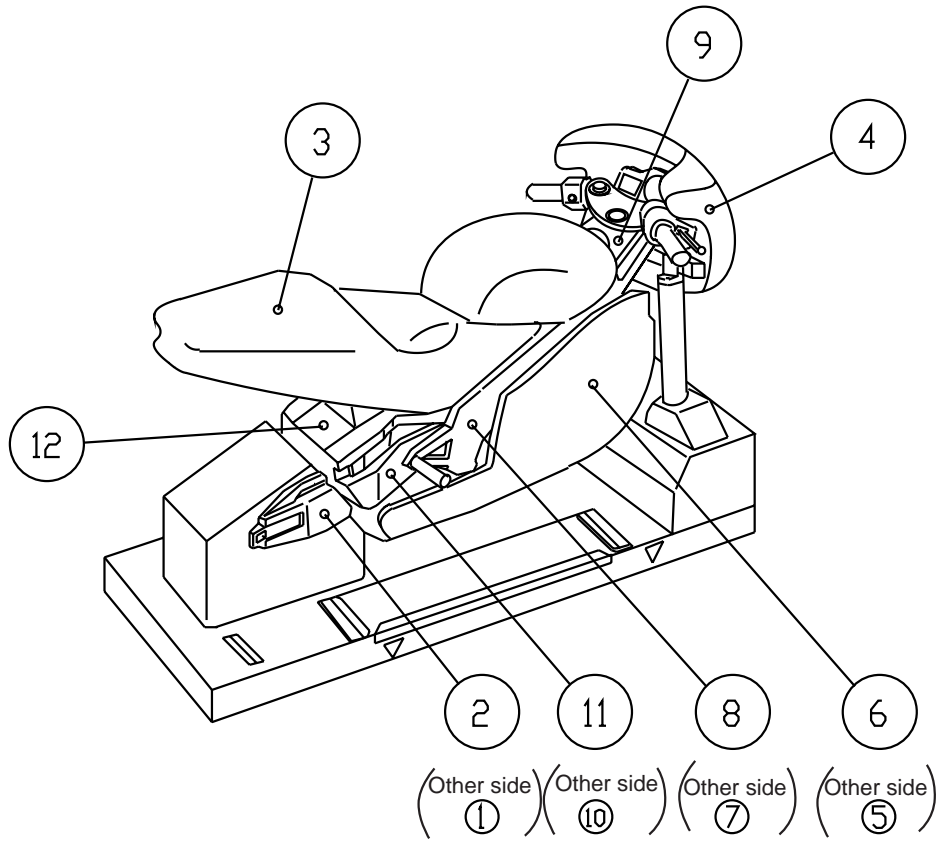
Item	Description	Part No
1	Swing Arm BSY (LHS)	692-403
2	Swing Arm BSY (RHS)	692-404
3	Motorcycle Body - Y	692-361
4	Front Cowl	692-362
5	Side Cowl (LHS)	692-363
6	Side Cowl (RHS)	692-364
7	Aluminium Frame - SY (LHS)	692-365
8	Aluminium Frame - SY (RHS)	692-366
9	Aluminium Top	692-367
10	Swing Arm - ASY (LHS)	692-368
11	Swing Arm - ASY (RHS)	692-369
12	Gun Metal Decal	692-370
13	Main Frame	692-371
14	Yamaha Tank Decal	692-372
15	Seat #5 Decal	692-374
16	YZR Decal	692-375
17	YRT Decal	692-376
18	Yamaha Side Decal	692-377
19	Yamaha Sponsor Decal (LHS)	692-378
20	Yamaha Sponsor Decal (RHS)	692-379
	Body Decal Set	692-380



Body Decal Set

Intake Decal  
Tank Protector  
Caution Decal  
Yamaha Tank Decal  
No. 5 Decal  
YRT Decal

6-3-1 Ride Assy (S) SUZUKI



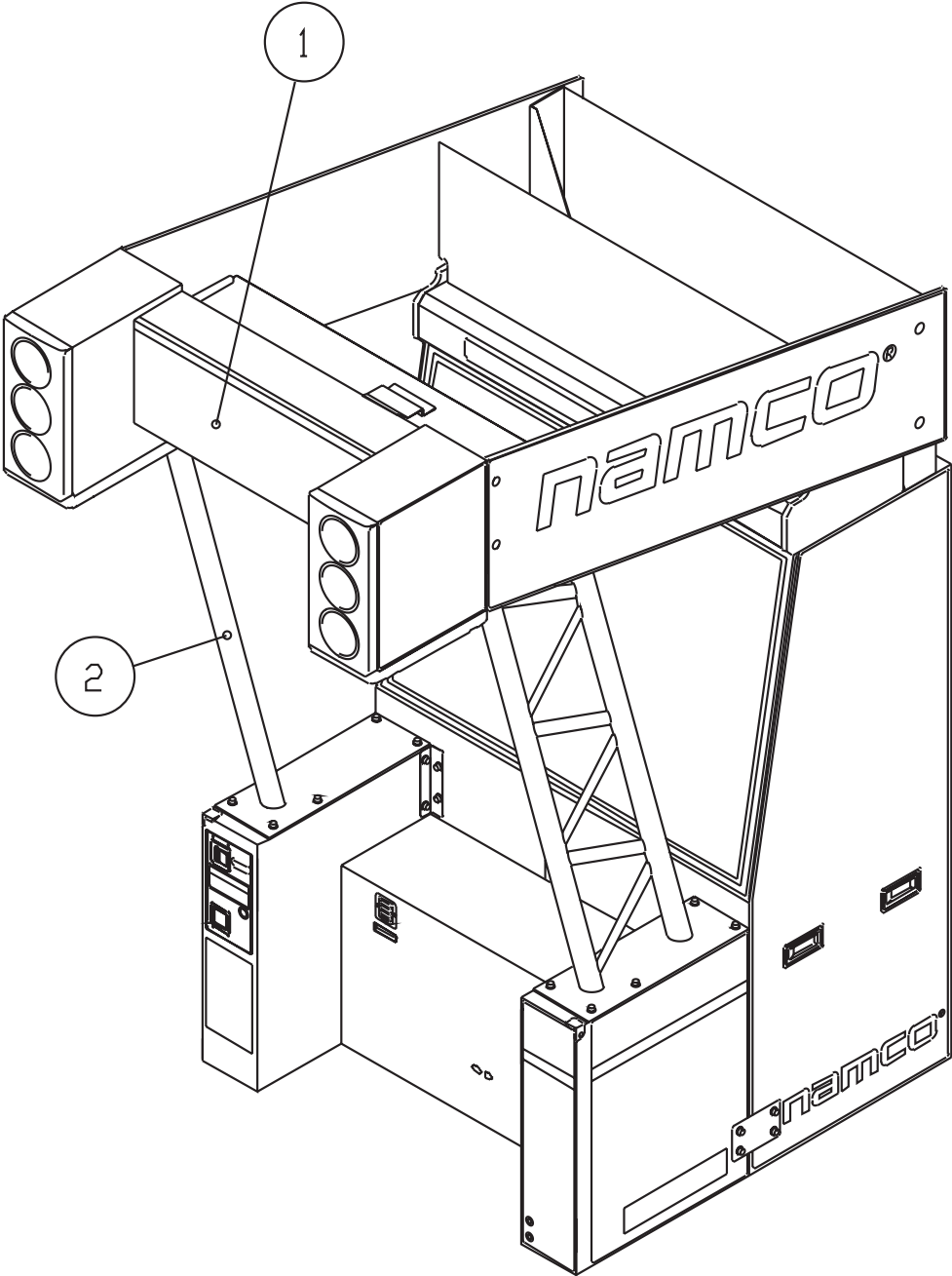
Item	Description	Part No
1	Swing Arm BSY (LHS)	692-403
2	Swing Arm BSY (RHS)	692-404
3	Motorcycle Body - S	692-373
4	Front Cowl - S	692-390
5	Side Cowl (LHS)	692-391
6	Side Cowl (RHS)	692-392
7	Aluminium Frame - SY (LHS)	692-365
8	Aluminium Frame - SY (RHS)	692-366
9	Aluminium Top	692-367
10	Swing Arm - ASY (LHS)	692-368
11	Swing Arm - ASY (RHS)	692-369
12	Gun Metal Decal	692-370
13	Main Frame	692-371
14	Suzuki Tank Decal	692-395
15	Seat #3 Decal	692-396
16	Gamma Decal	692-397
17	Suzuki Side Decal	692-398
18	Suzuki Sponsor Decal (LHS)	692-399
19	Suzuki Sponsor Decal (RHS)	692-400
20	Wedge Shape Decal (LHS)	692-401
21	Wedge Shape Decal (RHS)	692-402
	Body Decal Set	692-419



Body Decal Set

Intake Decal  
Tank Protector  
Caution Decal  
Suzuki Tank Decal  
No. 3 Decal  
Suzuki Decal L & R

6-3-2 Monitor Cabinet Assy (S) SUZUKI



Item	Description	Part No
1	Signboard	692-409
2	Single Pole	692-405