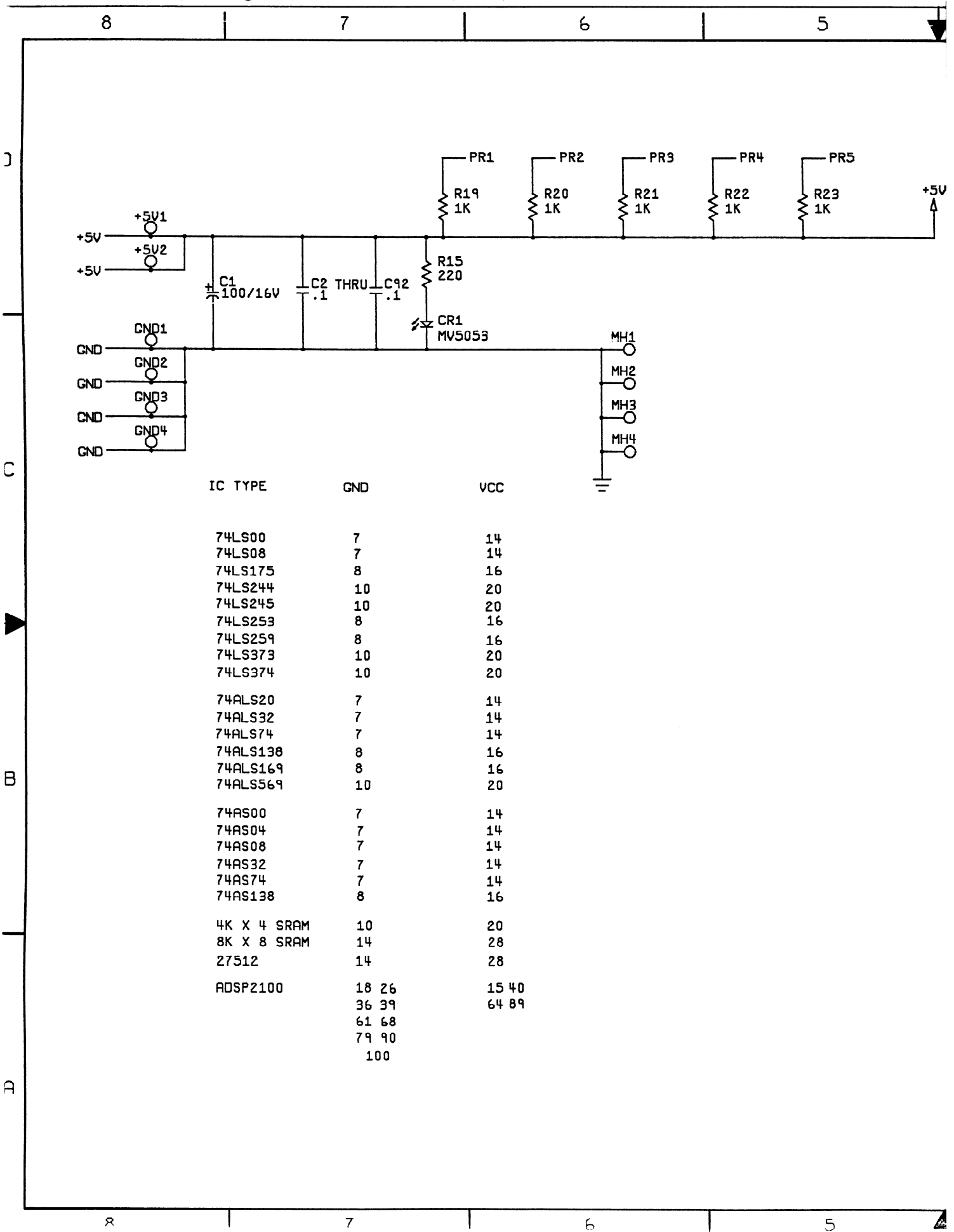
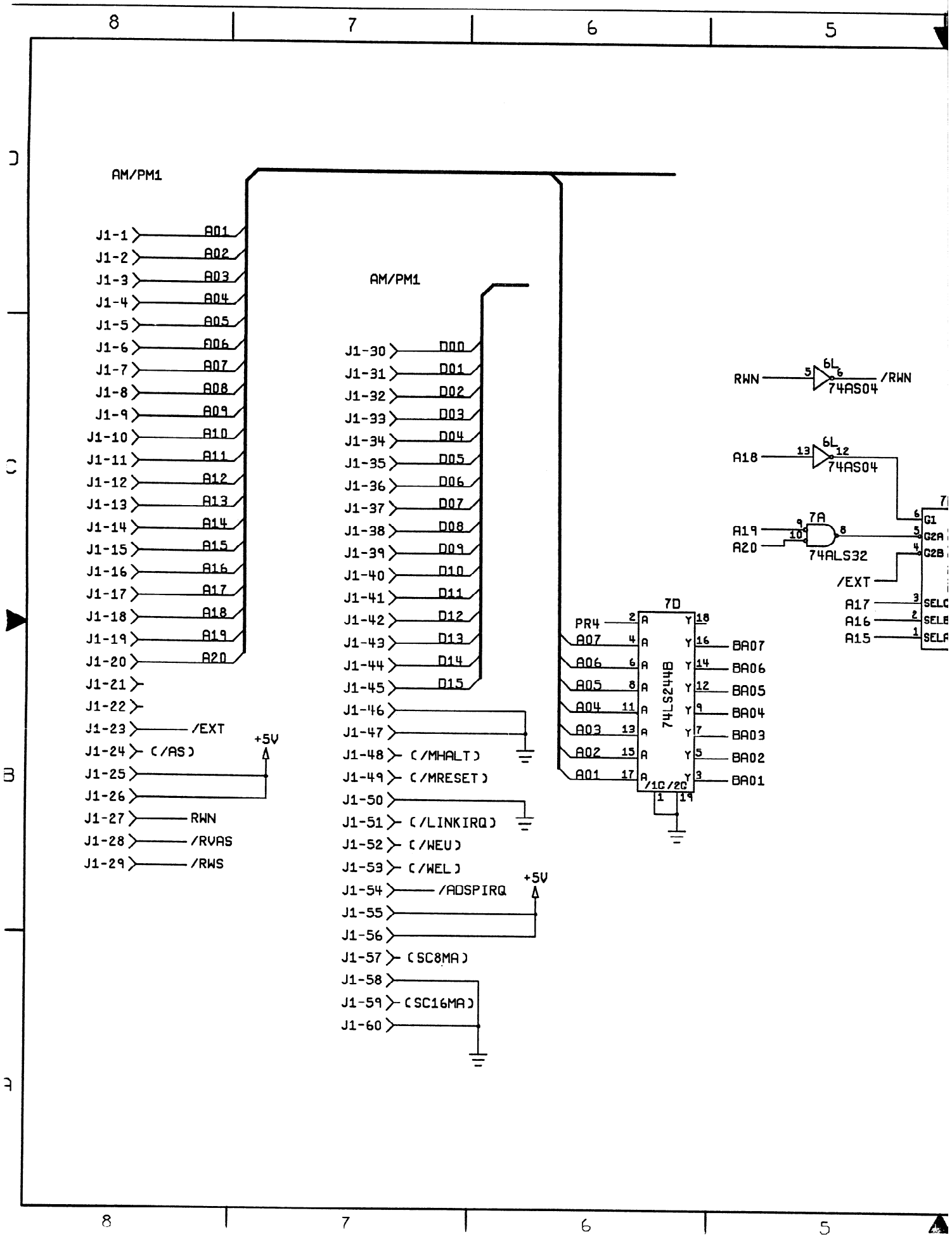
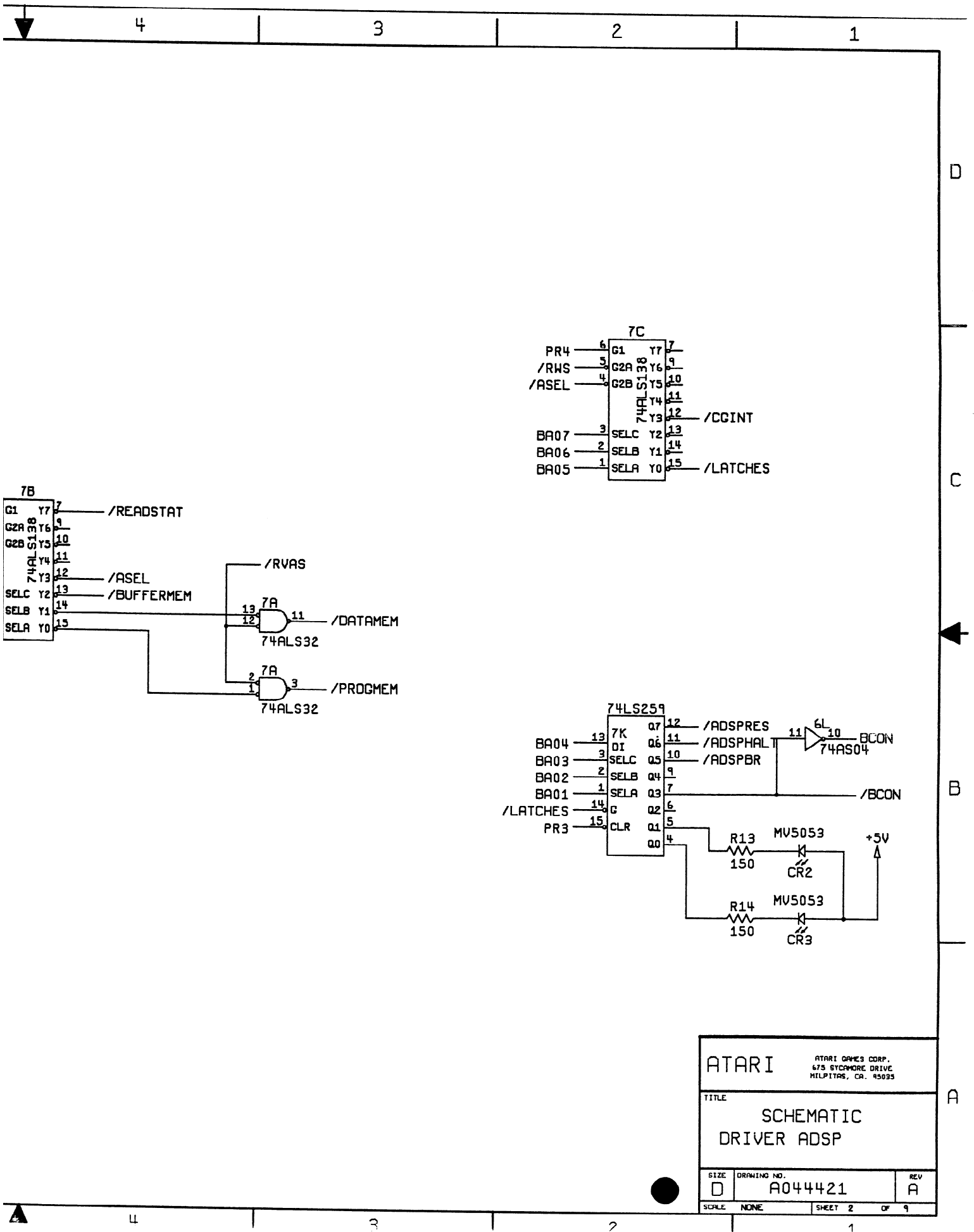


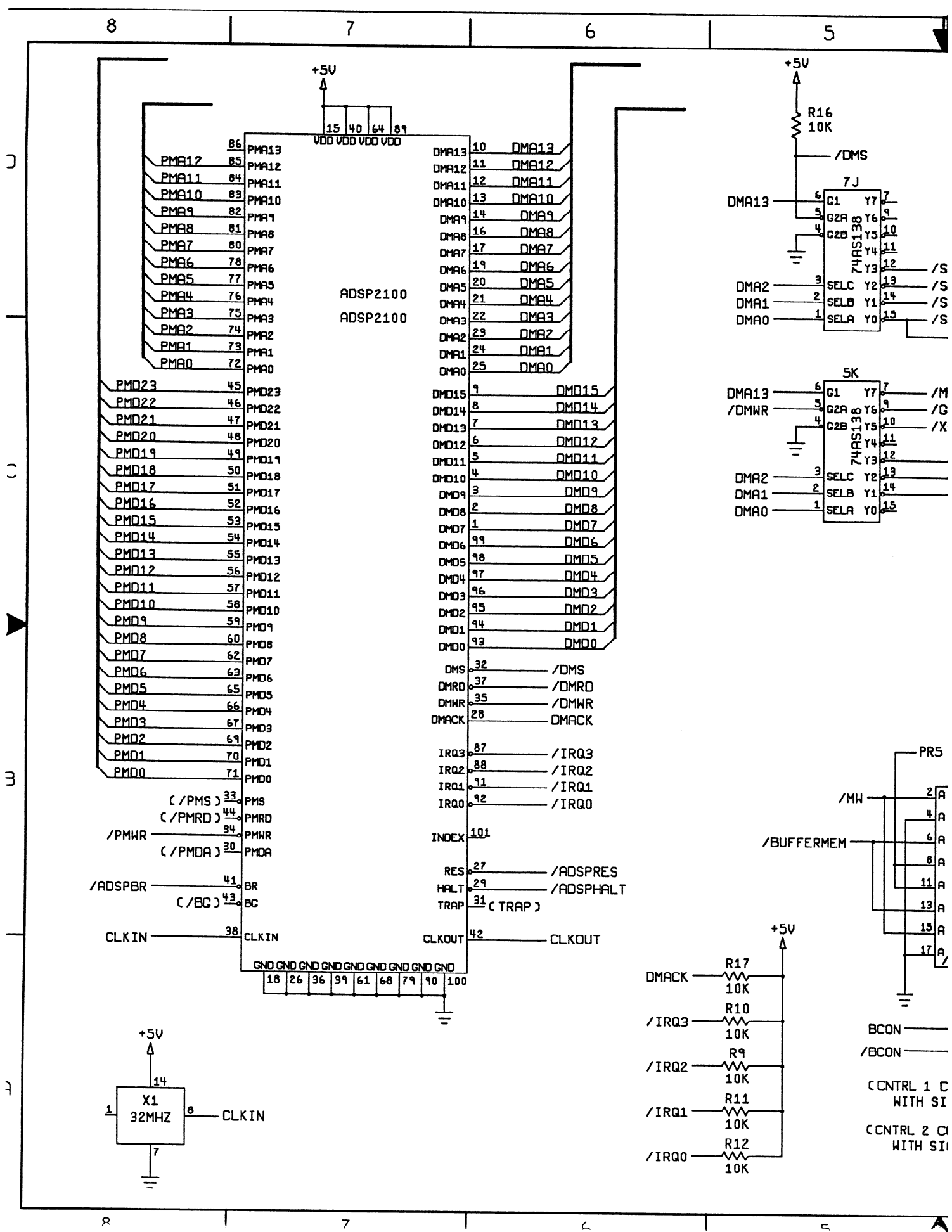
PROG

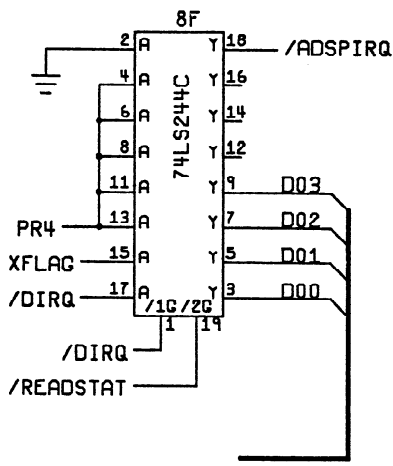
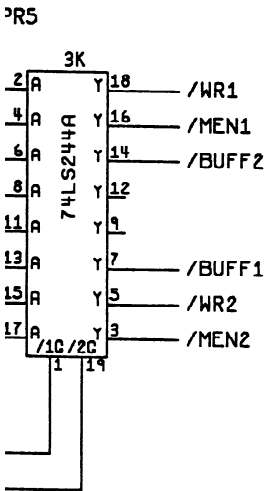
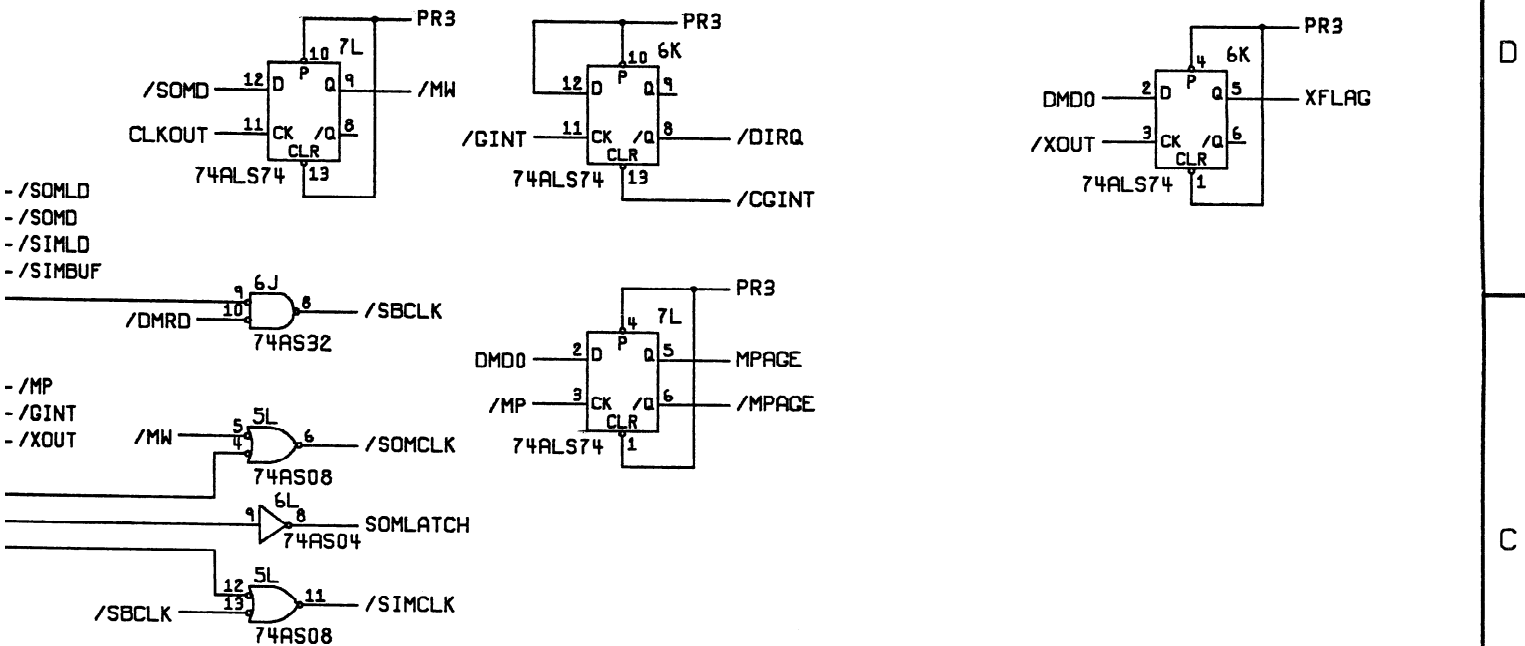


IC TYPE	GND	VCC
74LS00	7	14
74LS08	7	14
74LS175	8	16
74LS244	10	20
74LS245	10	20
74LS253	8	16
74LS259	8	16
74LS373	10	20
74LS374	10	20
74ALS20	7	14
74ALS32	7	14
74ALS74	7	14
74ALS138	8	16
74ALS169	8	16
74ALS569	10	20
74AS00	7	14
74AS04	7	14
74AS08	7	14
74AS32	7	14
74AS74	7	14
74AS138	8	16
4K X 4 SRAM	10	20
8K X 8 SRAM	14	28
27512	14	28
ADSP2100	18 26 36 39 61 68 79 90 100	15 40 64 89







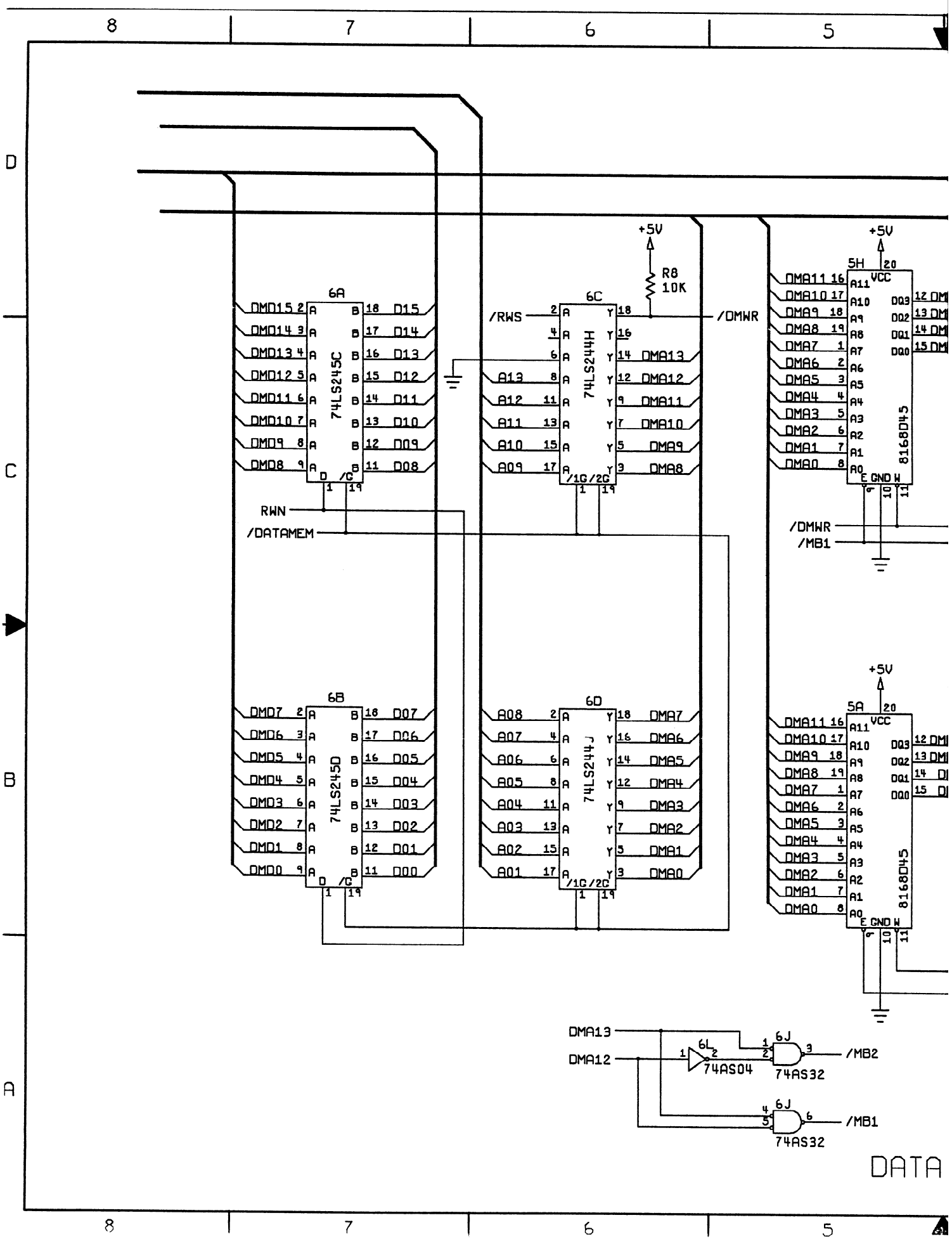


(CONTROL 1 CONNECTED ONLY WITH SIGNAL /ADSPIRQ
 (CONTROL 2 CONNECTED ONLY WITH SIGNALS D00 THRU D03)

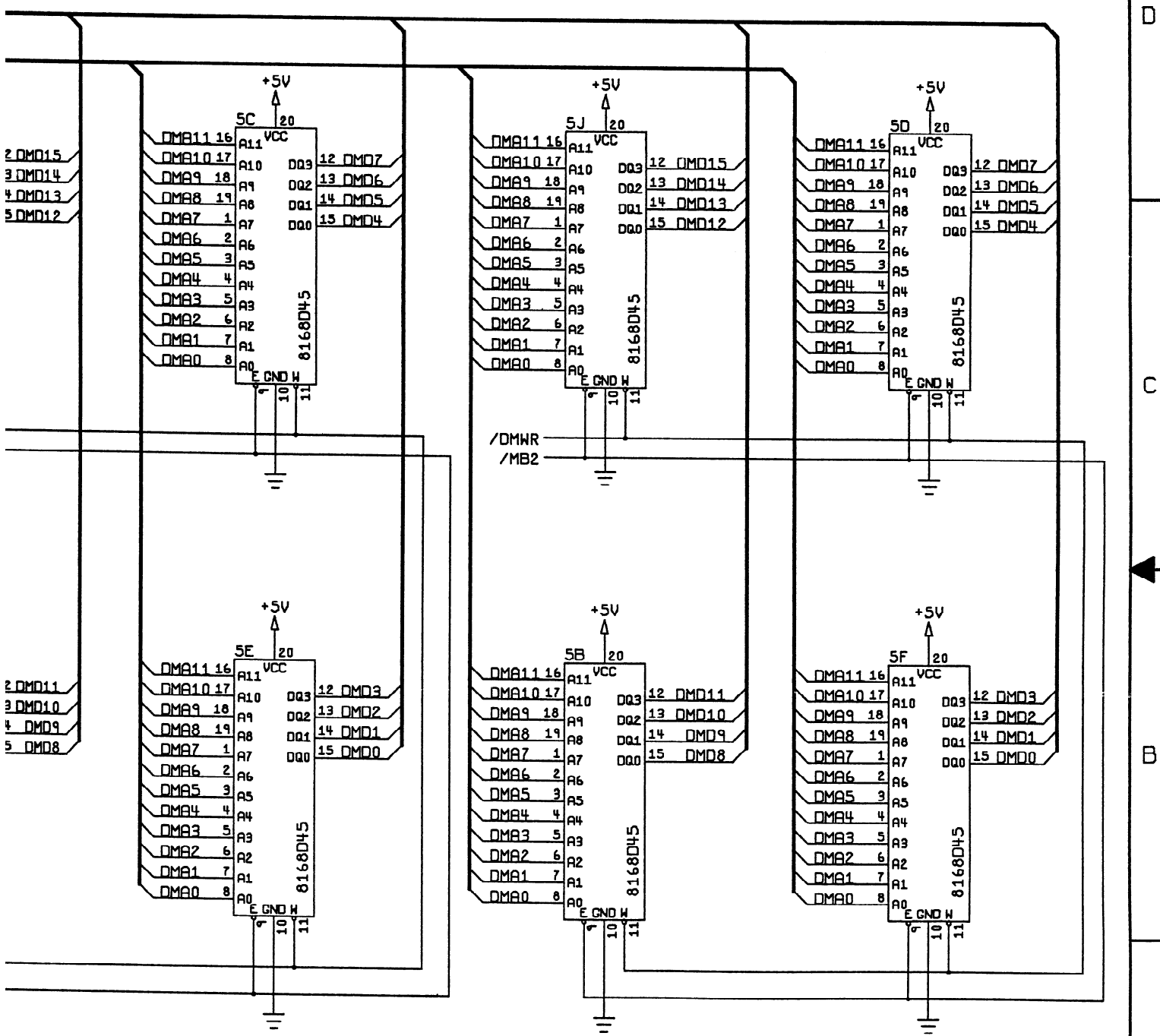
XTAL OSC

1 CONNECTED ONLY
 (SIGS /WR1 /MEN1 AND /BUFF2)
 2 CONNECTED ONLY
 (SIGS /WR2 /MEN2 AND /BUFF1)

ATARI		ATARI GAMES CORP. 673 SYCAMORE DRIVE MILPITAS, CA. 95035
TITLE SCHEMATIC DRIVER ADSP		
SIZE D	DRAWING NO. A044421	REV A
SCALE NONE	SHEET 3	OF 9

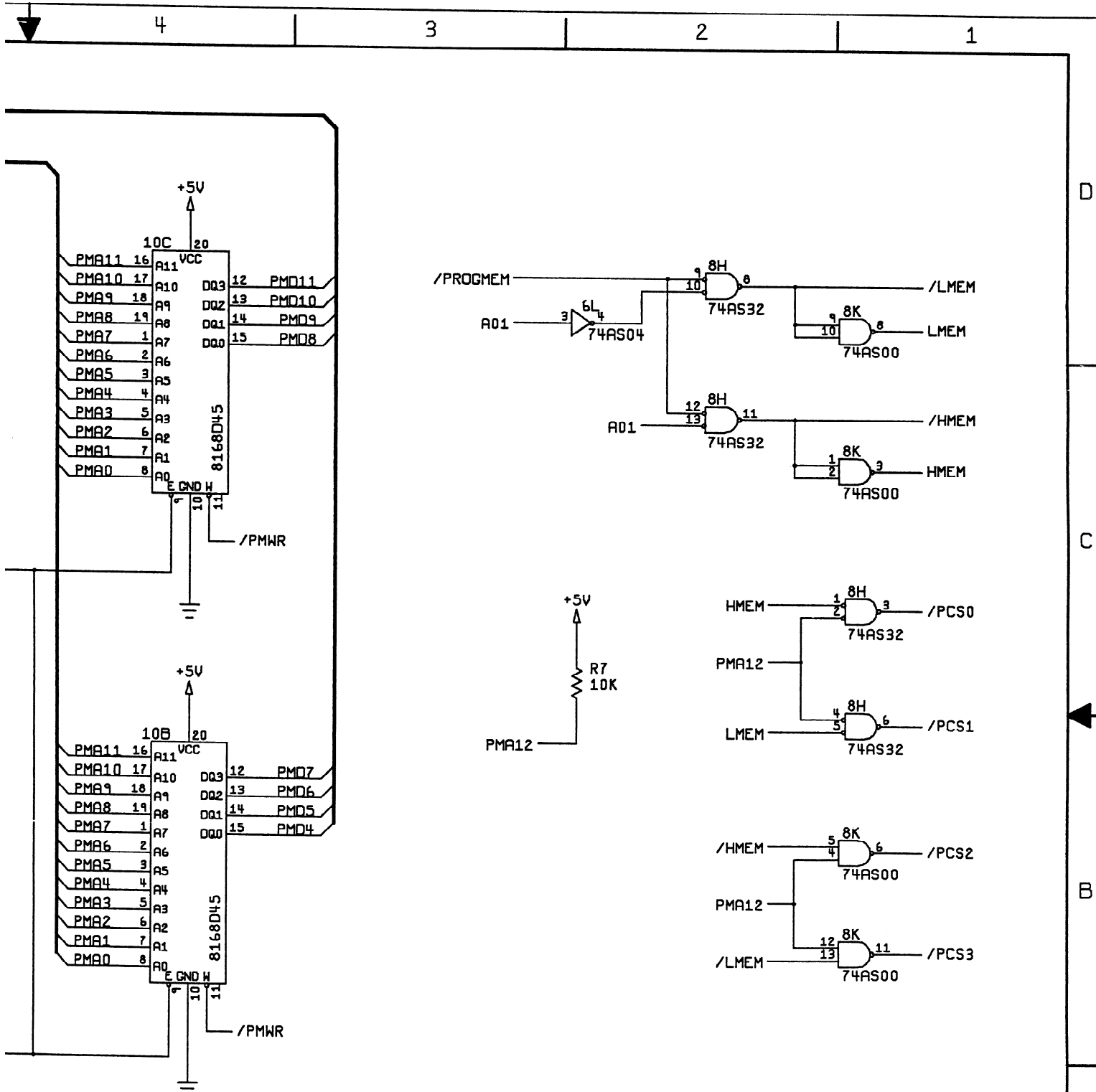


DATA



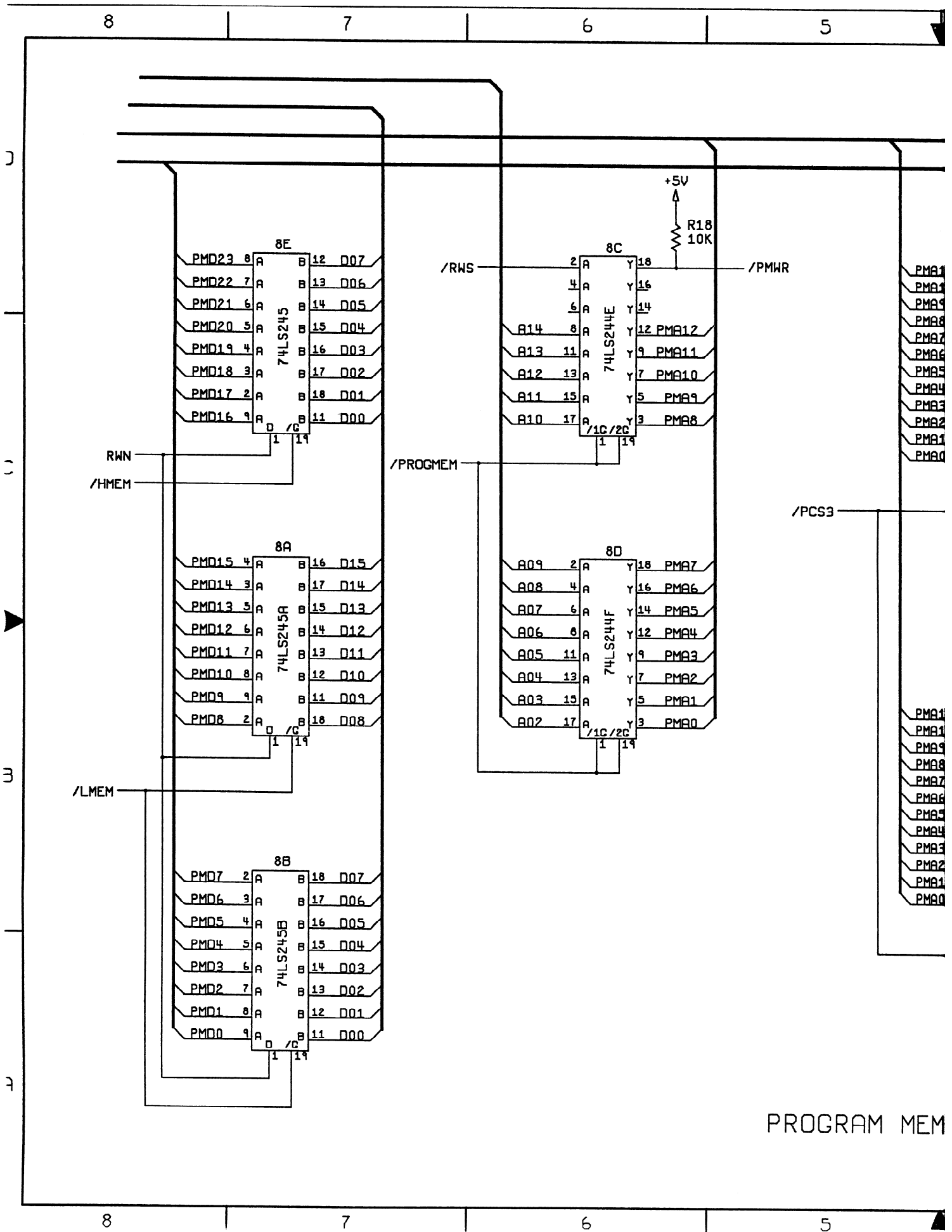
A MEMORY

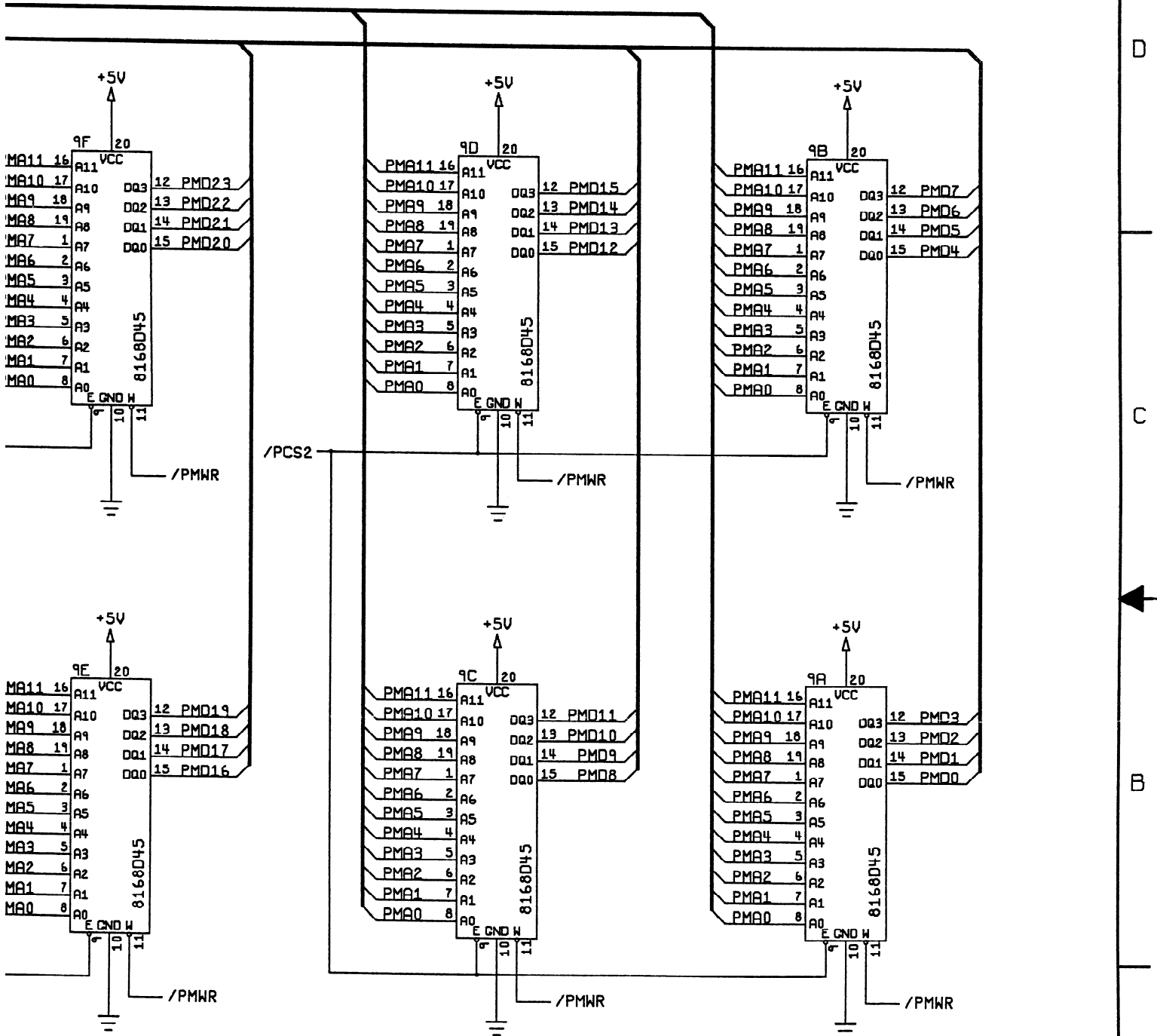
ATARI		ATARI GAMES CORP. 675 SYCAMORE DRIVE MILPITAS, CA. 95035	
TITLE			
SCHEMATIC DRIVER ADSP			
SIZE	DRAWING NO.	REV	
D	A044421	A	
SCALE	NONE	SHEET 4	OF 9



JGRAM MEMORY

ATARI		ATARI GAMES CORP. 675 STANFORD DRIVE MILPITAS, CA. 95035	
TITLE			
SCHEMATIC DRIVER ADSP			
SIZE	DRAWING NO.	REV	
D	A044421	A	
SCALE	NONE	SHEET	5 OF 9

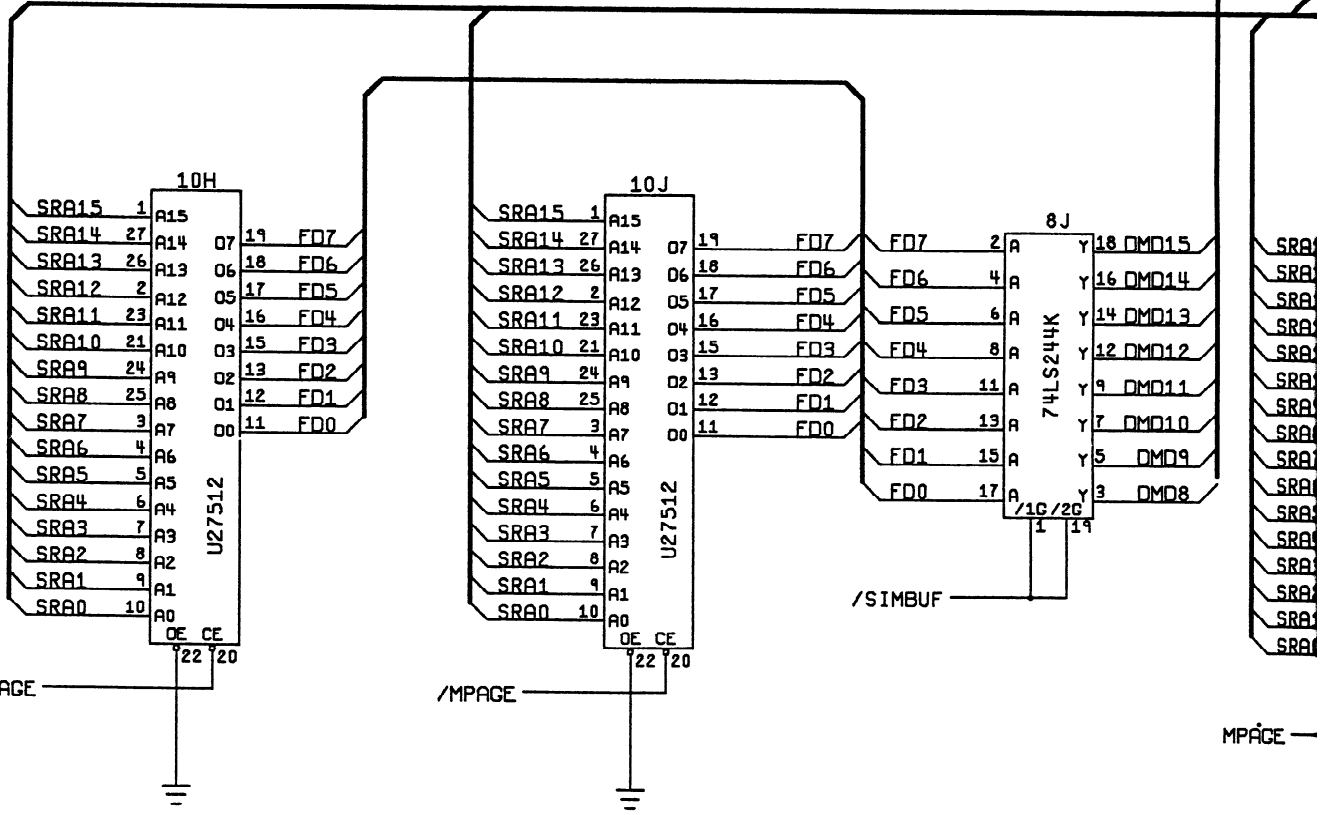
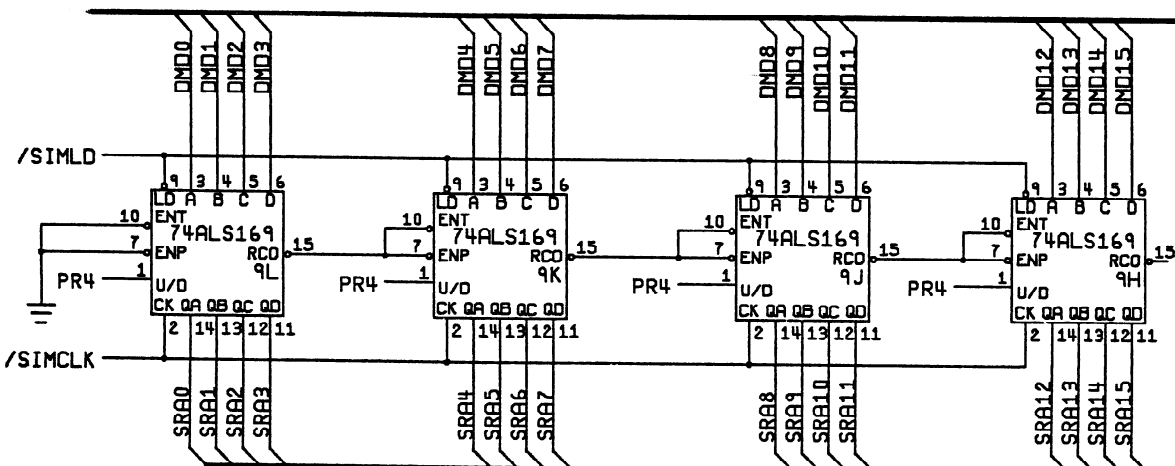




MEMORY /BUFFERS

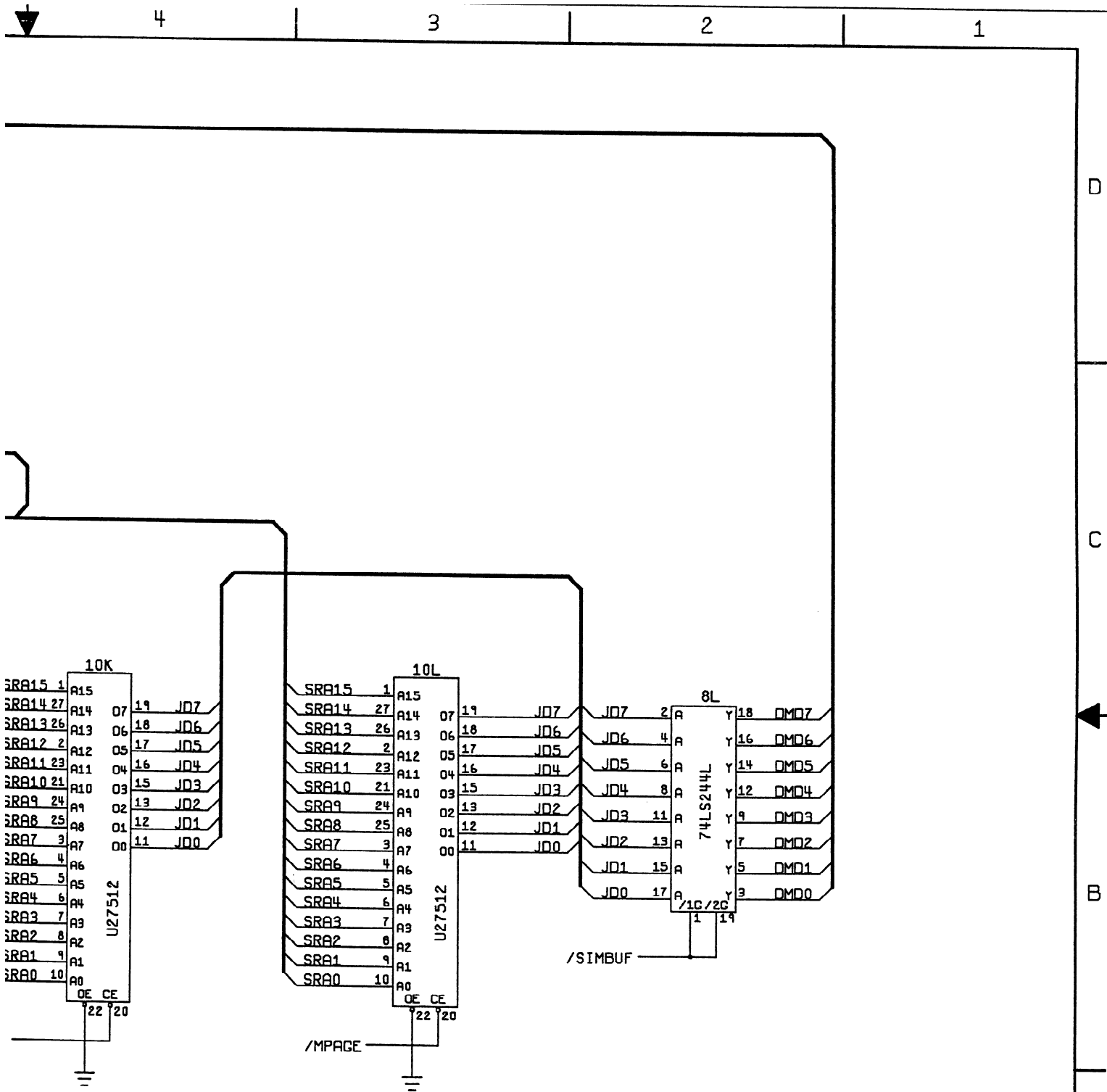
ATARI		ATARI GAMES CORP. 675 SYCAMORE DRIVE MILPITAS, CA. 95035
TITLE SCHEMATIC DRIVER ADSP		
SIZE	DRAWING NO.	REV
D	A044421	A
SCALE	SHEET	OF
NONE	6	9

8 7 6 5



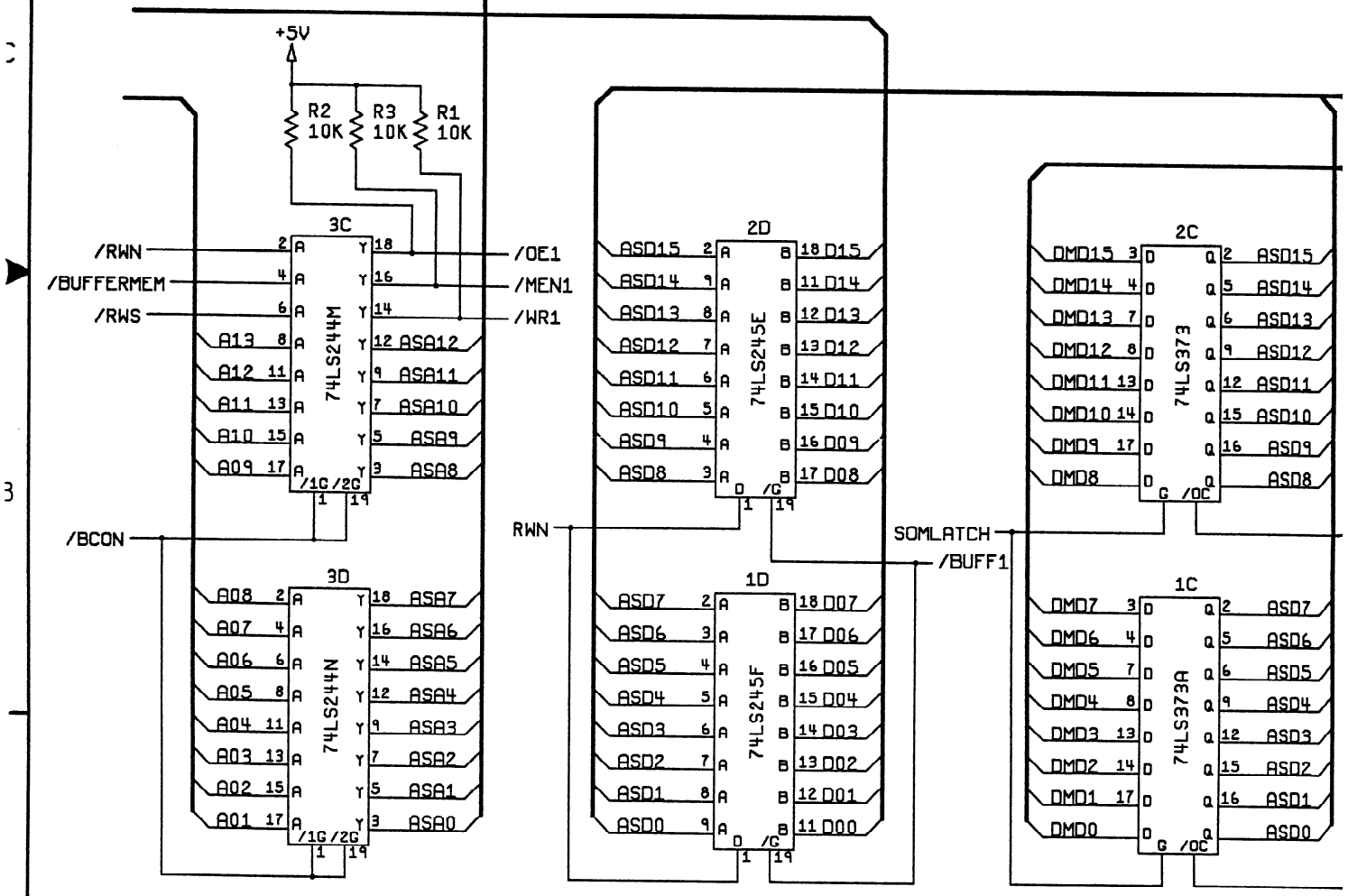
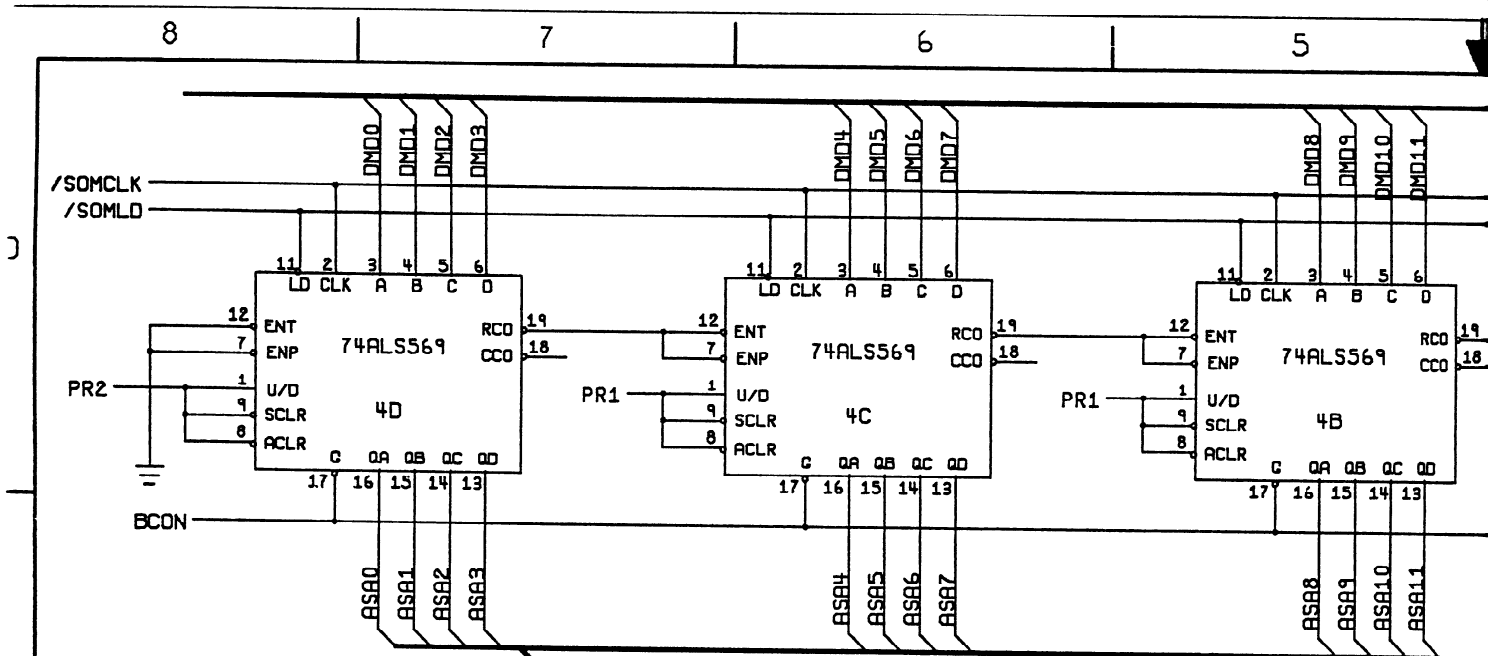
SEQUENTIAL

8 7 6 5

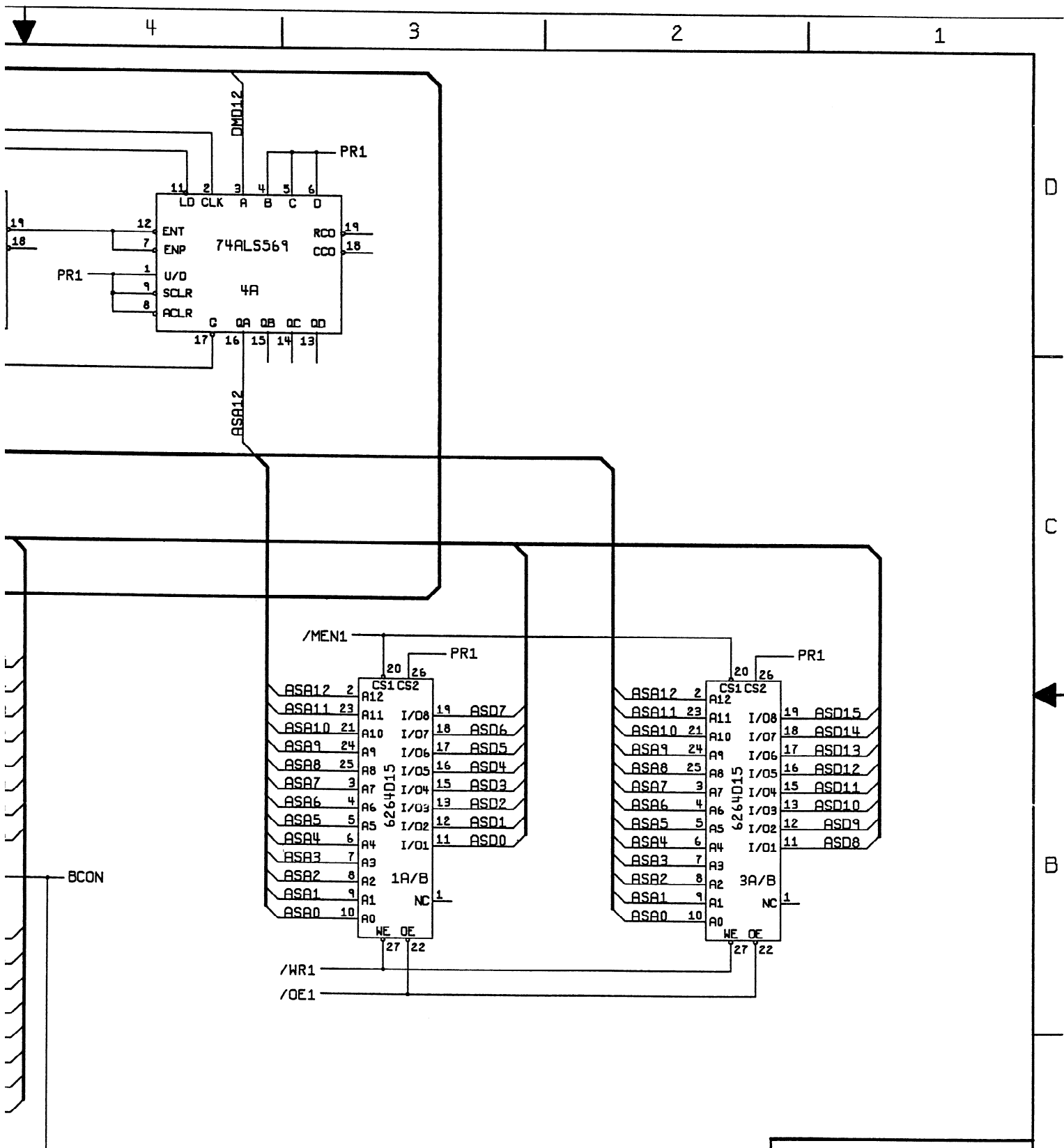


INPUT MEMORY

ATARI		ATARI GAMES CORP. 675 STANMORE DRIVE MILPITAS, CA. 95035	
TITLE			
SCHEMATIC DRIVER ADSP			
SIZE	DRAWING NO.	REV	
D	A044421	A	
SCALE	NONE	SHEET 7	OF 9

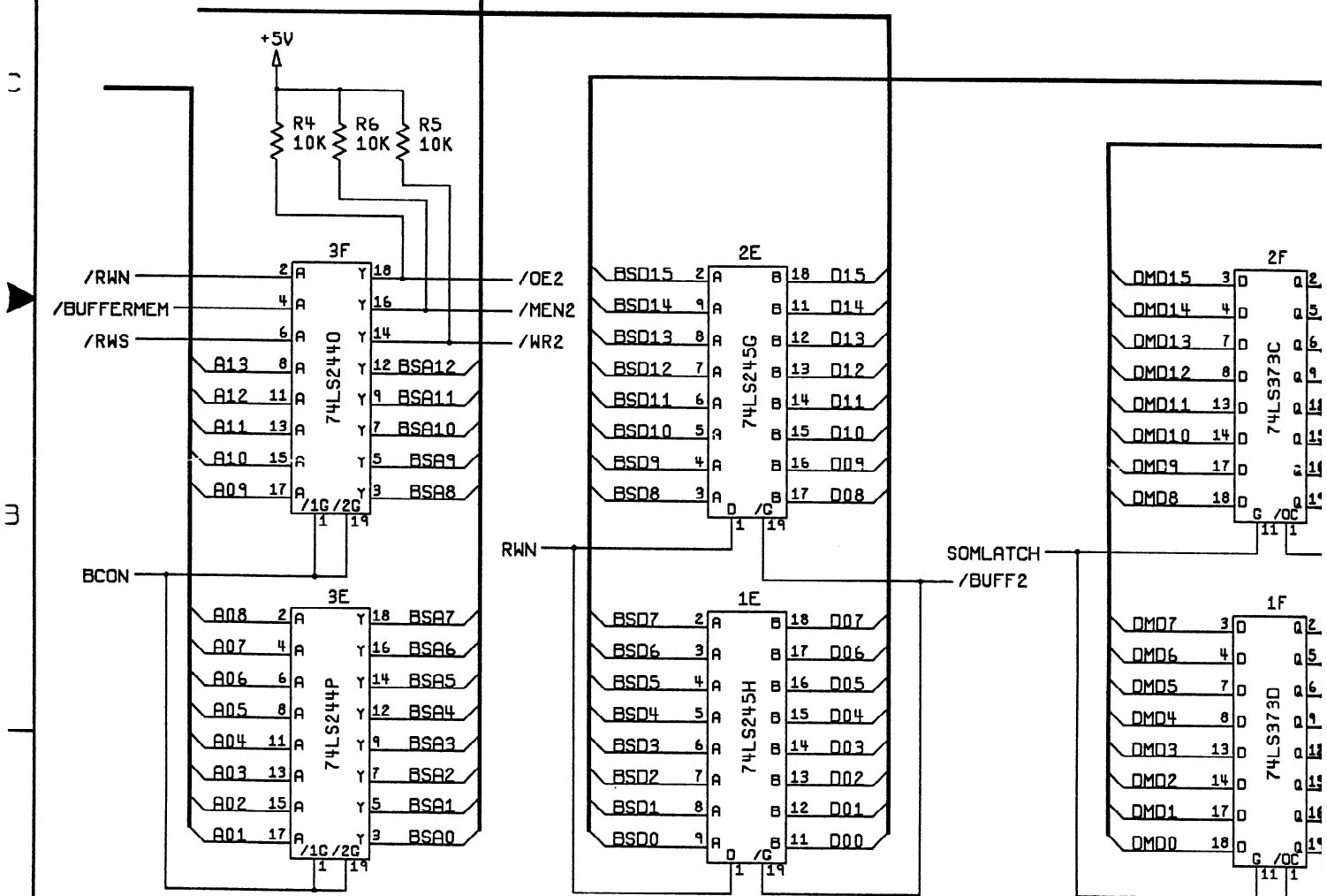
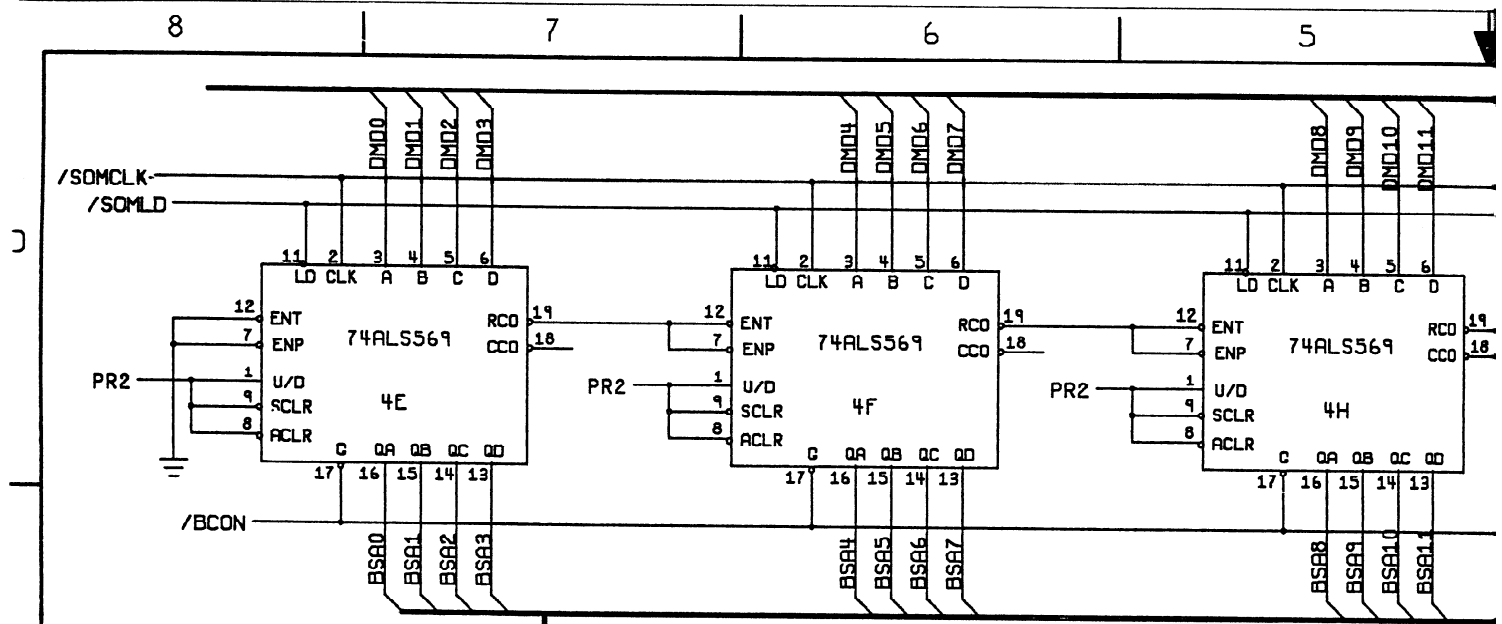


SEQUENTIAL OU



OUTPUT MEMORY #1

ATARI		ATARI GAMES CORP. 675 SYCAMORE DRIVE MILPITAS, CA. 95035	
TITLE			
SCHEMATIC DRIVER ADSP			
SIZE	DRAWING NO.	REV	
D	A044421	A	
SCALE	NONE	SHEET	8 OF 9



SEQUENTIAL OUTPUT

REVISIONS					
SYM	DESCRIPTION	DATE	INCRP	CHECK	APPROVED
A	PRODUCTION REL	6-20-89	LSF		

37	42	45	48	51	54	57	60	63
DM07	DM010	DM013	DM019	DM010	DM08	DM06	DM03	DM08
41	44	47	50	53	56	59	62	
DM09	DM012	DM015	DM011	V00	GND	DM04	DM01	
40	43	46	49	52	55	58	61	
DM05	DM011	DM014	DM012	DM09	DM07	DM03	DM02	

38	37	36
GND	DM06	DM05
35	34	33
DM04	DM03	DM02
32	31	30
DM01	DM00	/IRQ0
29	28	27
/IRQ1	GND	V00
26	25	24
/IRQ2	/IRQ3	PM013
23	22	21
PM012	PM011	PM010
20	19	18
PM09	PM08	PM07
17	16	15
GND	PM06	PM05
14		
PM04		

65	64
/RES	GND
66	67
DM06	/HALT
68	67
PM09	TRAP
71	70
/PMS	/DMS
72	73
/PM08	/DM08
74	76
GND	/DM00
77	76
GND	CLKIN
78	79
V00	/BR
80	81
CKOUT	/BC
83	82
PM023	/PM00
84	85
PM022	PM021
86	87
PM020	PM019
	88
	PM018

ADSP2100
PQFP100

11	8	5	2	99	96	93	90
PM01	PM01	PM03	V00	GND	PM010	PM013	PM016
12	9	6	3	100	97	94	91
PM02	PM00	GND	PM05	PM07	PM09	PM012	PM015
13	10	7	4	1	98	95	92
PM03	PM00	PM02	PM04	PM06	PM08	PM011	PM014
							89
							PM017

BOTTOM VIEW
(PINS UP)

DO NOT SCALE DRAWING UNLESS OTHERWISE SPECIFIED DIMENSIONS ARE IN INCHES TOLERANCES ON: ANGLES ± 1° .XX ± .01 .XXX ± .003		DRAWN BY L. FRITTS DATE 6-20-89	ATARI ATARI GAMES CORP. 675 STORVORE DRIVE MILPITAS, CA. 95035
R047047-01 DRIVING SIMULATOR NEXT ASSY FIRST USED ON		CHECKED BY ENCR, ELECT DATE PROJ ENCR DATE MFG ENCR DATE	
NOTICE TO ALL PERSONS RECEIVING THIS DRAWING CONFIDENTIAL: REPRODUCTION FORWARDED WITHOUT THE SPECIFIC WRITTEN PERMISSION OF ATARI GAMES CORPORATION, MILPITAS, CA. THIS DRAWING IS ONLY CONDITIONALLY LOANED. FOR NEITHER RECEIPT NOR PERMISSION THEREOF COPIES OR TRANSMITS NOT BEING MADE, OR LENDING TO ANY, THE SUBJECT MATTER OF THE DRAWING OR ANY DESIGN OR TECHNIQUE, INFORMATION THEREIN, NOR ANY RIGHT TO REPRODUCE THIS DRAWING OR ANY PART THEREOF, OR ANY INFORMATION THEREIN BY ANY MEANS, ELECTRONIC OR MECHANICAL, INCLUDING PHOTOCOPYING, RECORDING, OR BY ANY INFORMATION STORAGE AND RETRIEVAL SYSTEM, WITHOUT THE WRITTEN PERMISSION OF ATARI GAMES CORPORATION.		MATERIAL: SEE PL R047047-01 R047046-01	TITLE SCHEMATIC ADSP II
FINISH:		SIZE D SCALE NONE	DRAWING NO. 047047-01 SHEET 1 OF 1
		REV A	