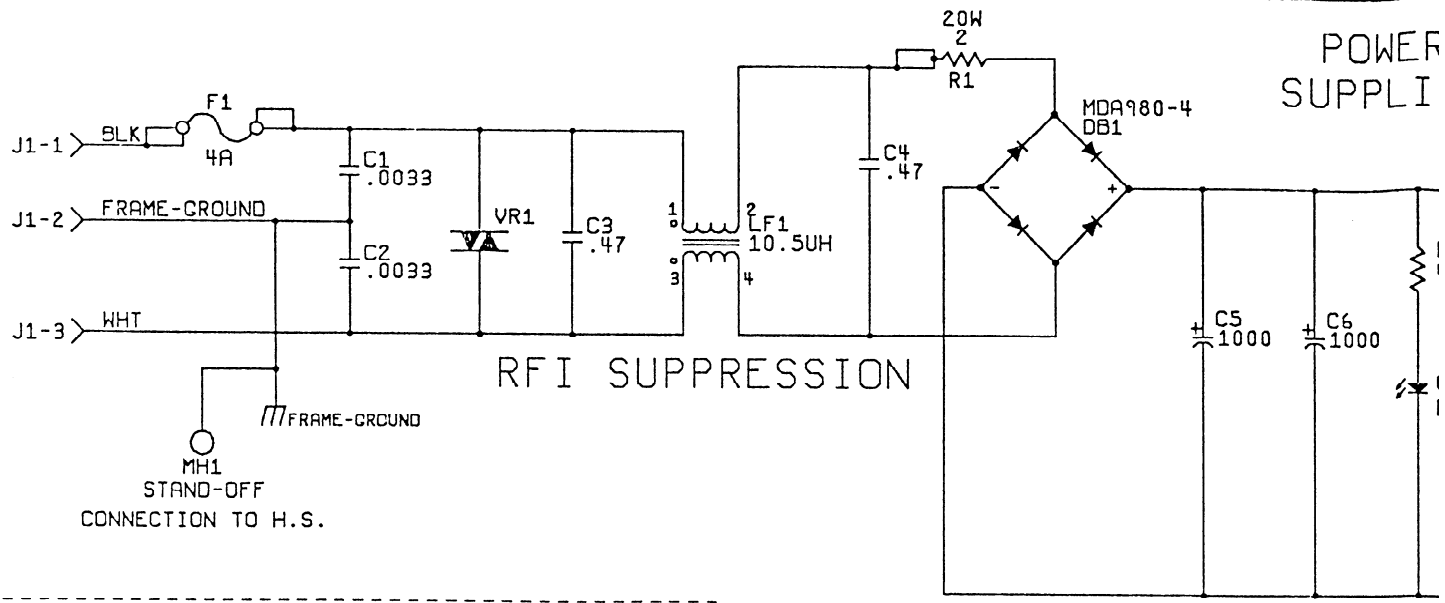
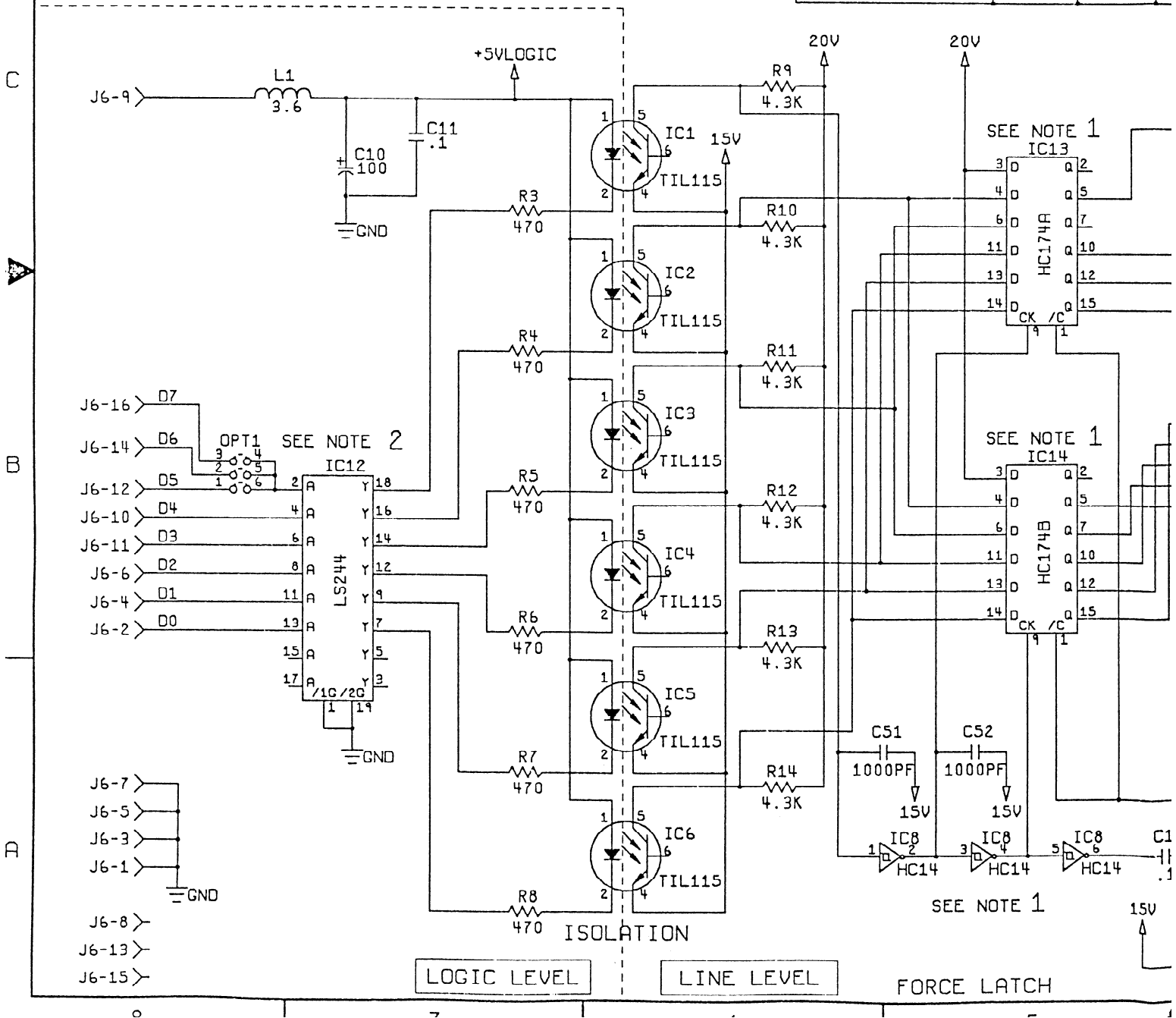


POWER SUPPLY



MH1  
STAND-OFF  
CONNECTION TO H.S.

RFI SUPPRESSION



LOGIC LEVEL

LINE LEVEL

FORCE LATCH

ISOLATION

D

C

B

A

J1-1 BLK  
J1-2 FRAME-GROUND  
J1-3 WHT

J6-9

J6-16 D7  
J6-14 D6  
J6-12 D5  
J6-10 D4  
J6-11 D3  
J6-6 D2  
J6-4 D1  
J6-2 D0

J6-7  
J6-5  
J6-3  
J6-1  
J6-8  
J6-13  
J6-15

SEE NOTE 1

SEE NOTE 1

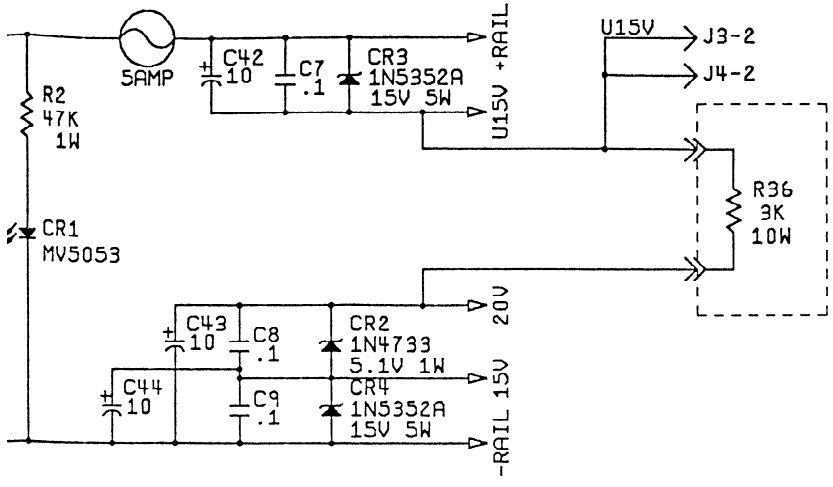
SEE NOTE 1

15V

ER  
IES

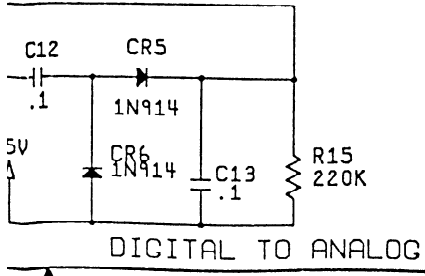
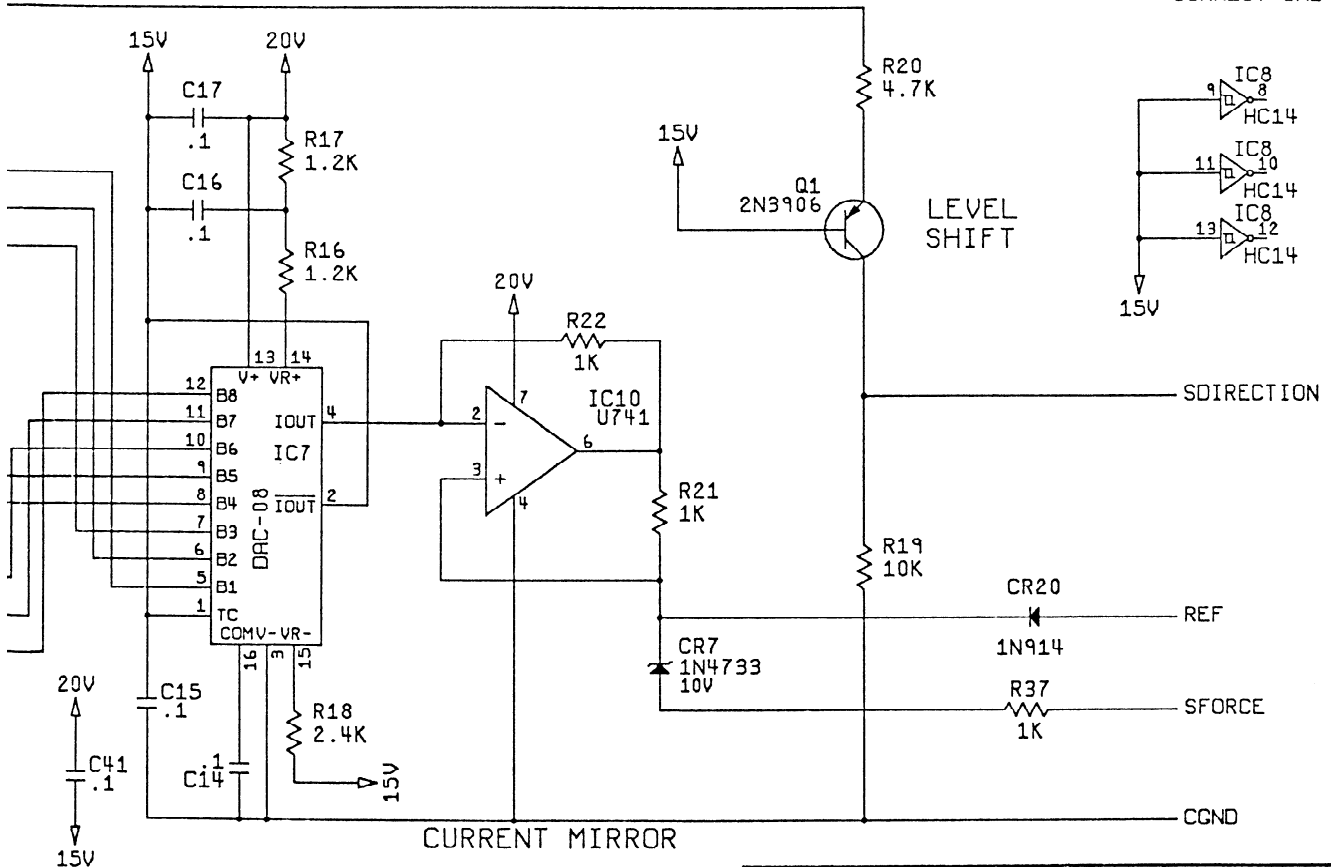
REVISIONS

SYM	DESCRIPTION	DATE	INCRP	CHECK	APP
A	PRODUCTION REL	8-16-88	LBF	AJ	RM
B	ECN 13216	11-21-88	LBF	<i>AJ</i>	<i>RM</i>
C	ECN 13243	1-17-89	LBF	<i>AJ</i>	<i>RM</i>



NOTES:

- 1 CONNECT 20V TO VCC.  
CONNECT 15V TO GND.
- 2 CONNECT +5VLOGIC TO VCC.  
CONNECT GND TO GND.



A044431-01 DRIVING SIMU  
NEXT ASSY FIRST USED ON

NOTICE TO ALL PERSONS RECEIVING THIS DRAWING  
CONFIDENTIAL: REPRODUCTION FORBIDDEN WITHOUT THE  
SPECIFIC WRITTEN PERMISSION OF ATARI GAMES CORPORATION,  
MILPITAS, CA. THIS DRAWING IS ONLY CONDITIONALLY ISSUED,  
AND RECEIVERS ACCEPTS ALL RESPONSIBILITY THEREOF. OWNERS OR  
THIRD PARTIES MAY NOT REPRODUCE OR TRANSMIT THIS DRAWING OR  
ANY PART THEREOF, OR LOANING TO USE, THE SUBJECT  
MATTER OF THE DRAWING OR ANY SECTION OR TECHNICAL INFOR-  
MATION THEREON IN ANY MANNER WITHOUT THE WRITTEN PER-  
MISSION OF ATARI GAMES CORPORATION, AND FOR INFORMATION  
UNDER THE COMPANY'S WRITTEN LICENSE. NO RIGHT IS  
GRANTED TO REPRODUCE THIS DRAWING OR ANY PART  
THEREOF, UNLESS BY WRITTEN AGREEMENT WITH OR WITHOUT  
PERMISSION FROM THE COMPANY.

DO NOT SCALE DRAWING		DRAWN BY: STAFF	DATE: 8-16-88
UNLESS OTHERWISE SPECIFIED DIMENSIONS ARE IN INCHES TOLERANCES ON:		CHECKED BY: A. JACKSON	DATE: 8-17-88
ANGLES ± 1°		ENGR, ELECT	DATE
.XX ± .01		PROJ ENGR	DATE
.XXX ± .005		R. MONCRIEF	8-18-88
MATERIAL: SEE PL A044431-01		MFG ENGR	DATE
FINISH:		R. WRIGHT	8-18-88

ATARI		ATARI GAMES CORP. 675 STANFORD DRIVE MILPITAS, CA. 95035	
TITLE			
SCHEMATIC, MOTOR AMP PCB			
SIZE	DRAWING NO.		
D	044253-01		
SCALE	NONE	SHEET	1 OF 2

8

7

6

5

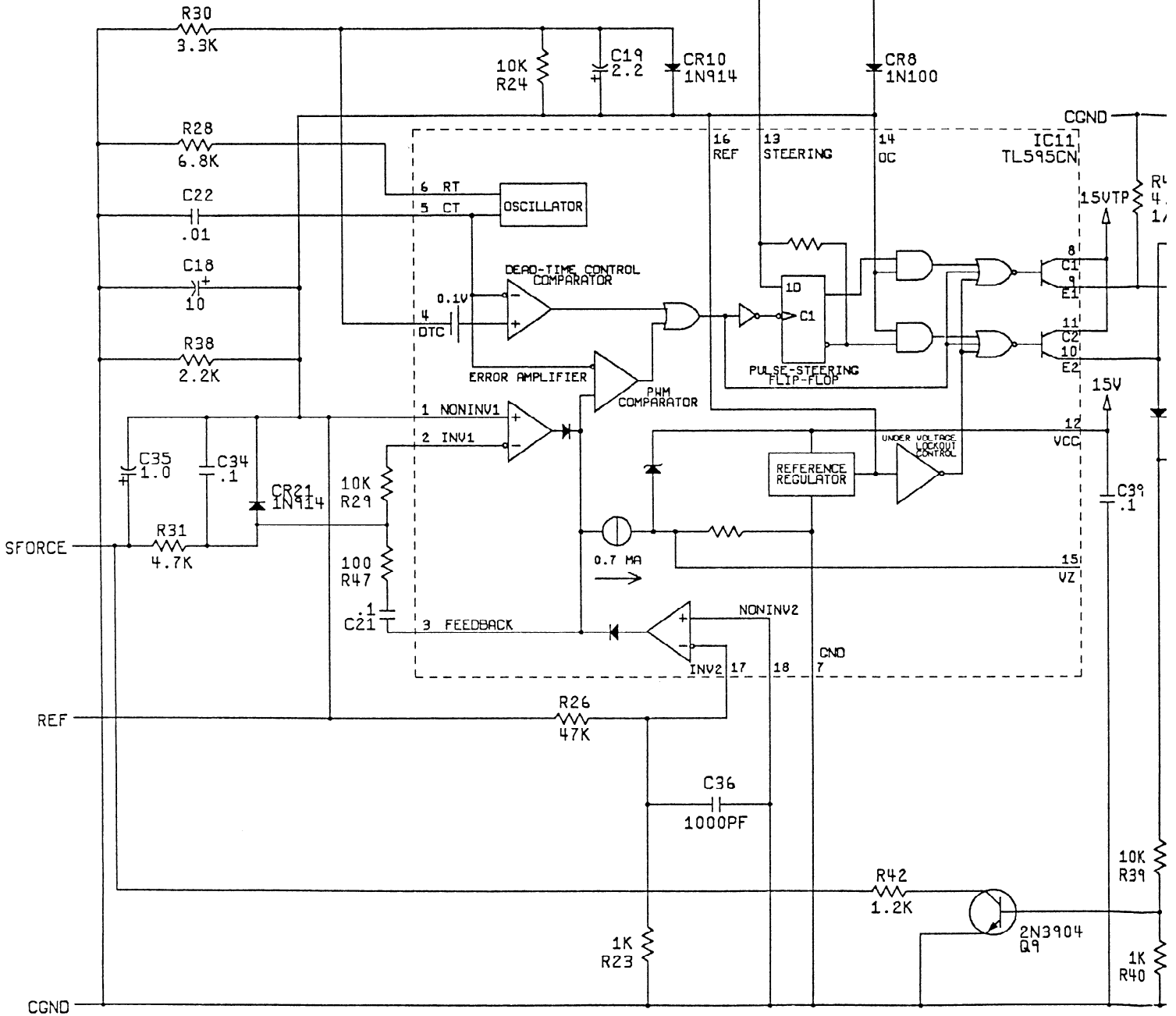
D

C

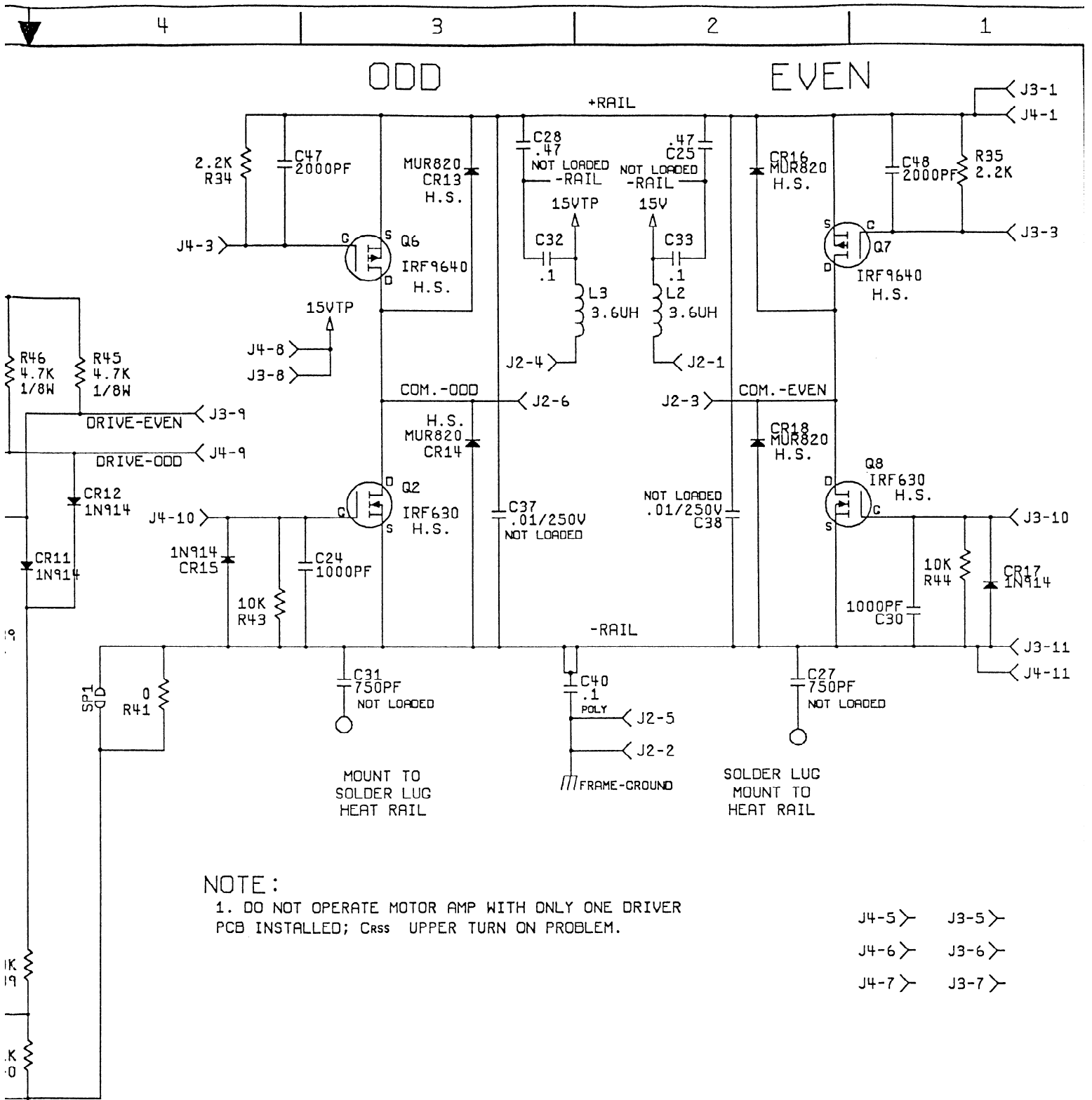
B

A

SDIRECTION



PULSE WIDTH MODULATION OUTPUT

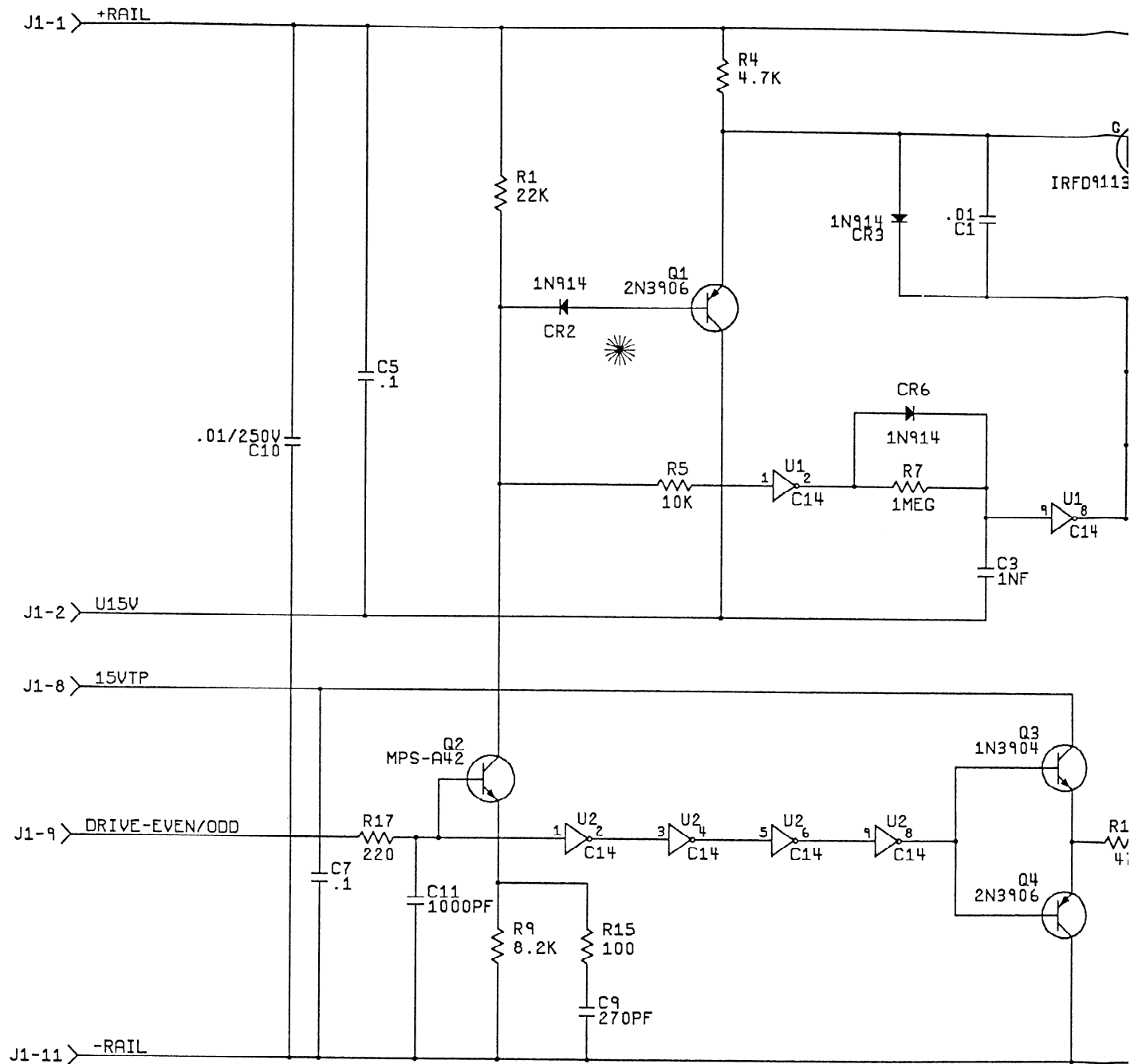


UT SENSE

POWER SWITCHES

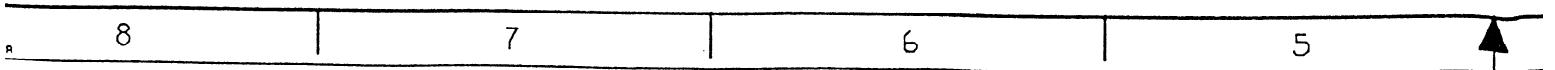
- J4-5 > J3-5 >
- J4-6 > J3-6 >
- J4-7 > J3-7 >

ATARI		ATARI GAMES CORP. 675 SYCAMORE DRIVE MILPITAS, CA. 95035
TITLE		
SCHEMATIC, MOTOR AMP PCB		
SIZE	DRAWING NO.	REV
D	044253-01	C

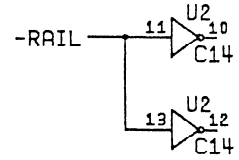
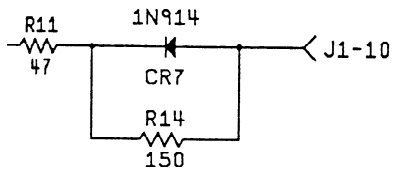
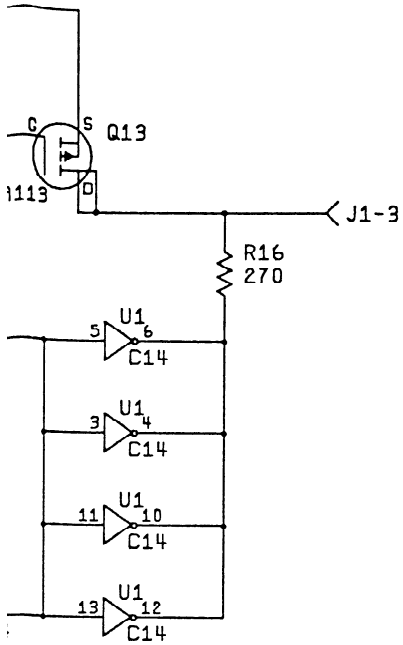


J1-5 >  
 J1-7 >  
 J1-6 >

✱ DO NOT MEASURE THIS POINT DURING OPERATION.



SYM	DESCRIPTION	DATE	INCRP	CHECK	APPROVED
A	PRODUCTION REL	8-16 1988	LBF	<i>[Signature]</i>	EM



-RAIL

A044250	DRIVE SIMU
NEXT ASSY	FIRST USED ON

NOTICE TO ALL PERSONS RECEIVING THIS DRAWING: REPRODUCTION OR DISSEMINATION OF THIS DRAWING WITHOUT THE SPECIFIC WRITTEN PERMISSION OF ATARI GAMES CORPORATION, MILPITAS, CA, THIS DRAWING IS BUILT CONDITIONALLY DRAWN, AND NEITHER RECEIPT NOR POSSESSION THEREOF CONSTITUTES AN ASSIGNMENT OF INVENTION OR A LICENSE TO USE, THE SUBJECT MATTER OF THIS DRAWING OR ANY DESIGN OR TECHNICAL INFORMATION HEREIN THEREOF, NOR ANY RIGHT TO REPRODUCE THIS DRAWING OR ANY PART THEREOF, EXCEPT FOR MANUFACTURE BY ORDER OF ATARI GAMES CORPORATION, AND FOR MANUFACTURE UNDER THE CORPORATION'S WRITTEN LICENSE. NO PART IS TO BE LOANED, REPRODUCED OR COPIED IN ANY MANNER WITHOUT THE WRITTEN PERMISSION FROM THE CORPORATION.

<b>DO NOT SCALE DRAWING</b>	
UNLESS OTHERWISE SPECIFIED DIMENSIONS ARE IN INCHES	TOLERANCES ON:
ANGLES ± 1°	.XX = ± .01
	.XXX = ± .005
MATERIAL: SEE PL A044250-01	
FINISH:	

DRAWN BY STAFF	DATE 8-16-88
CHECKED BY <i>G. Jackson</i>	DATE
ENGR. ELEC.	DATE
PROJ. ENGR <i>[Signature]</i>	DATE 8-16-88

ATARI		ATARI GAMES CORP. 675 STANFORD DRIVE MILPITAS, CA. 95035	
TITLE		SCHEMATIC, MOTOR AMP DRIVER PCB	
SIZE D	DRAWING NO. 044250-01	REV A	
SCALE NONE	SHEET 1	OF 1	

4

3

2

1