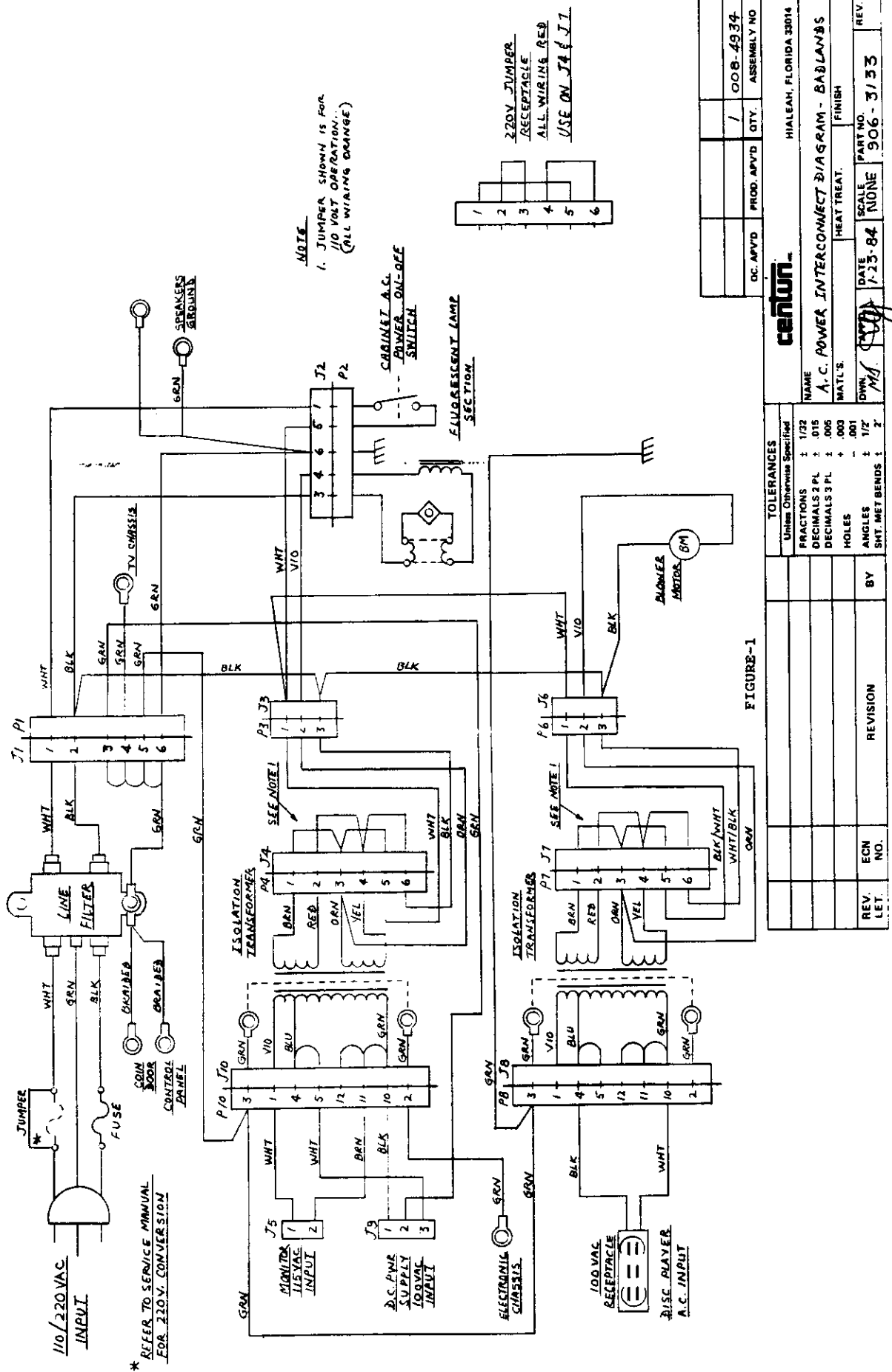


FIGURE-2
FRONT VIEW OF CABINET

THE MATERIAL CONTAINED HEREIN IS CONFIDENTIAL AND NO PART OF IT CAN BE REPRODUCED WITHOUT THE EXPRESSED PERMISSION OF CENTURI, INC.



DC. APVD		PROD. APVD	
QTY.	1	ASSEMBLY NO.	008-4934

centuri		HIALEAH, FLORIDA 33014	
NAME		A. C. POWER INTERCONNECT DIAGRAM - BABLANDS	
MATERIALS		FINISH	
DATE		SCALE	
7-23-84		NONE	
PART NO.		REV.	
906-3133		2	

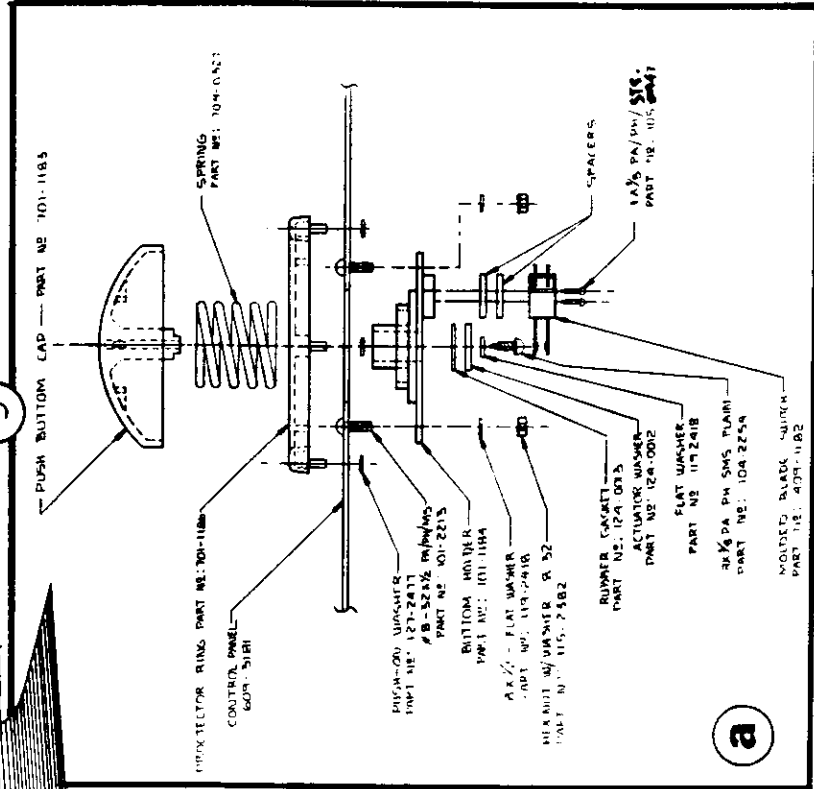
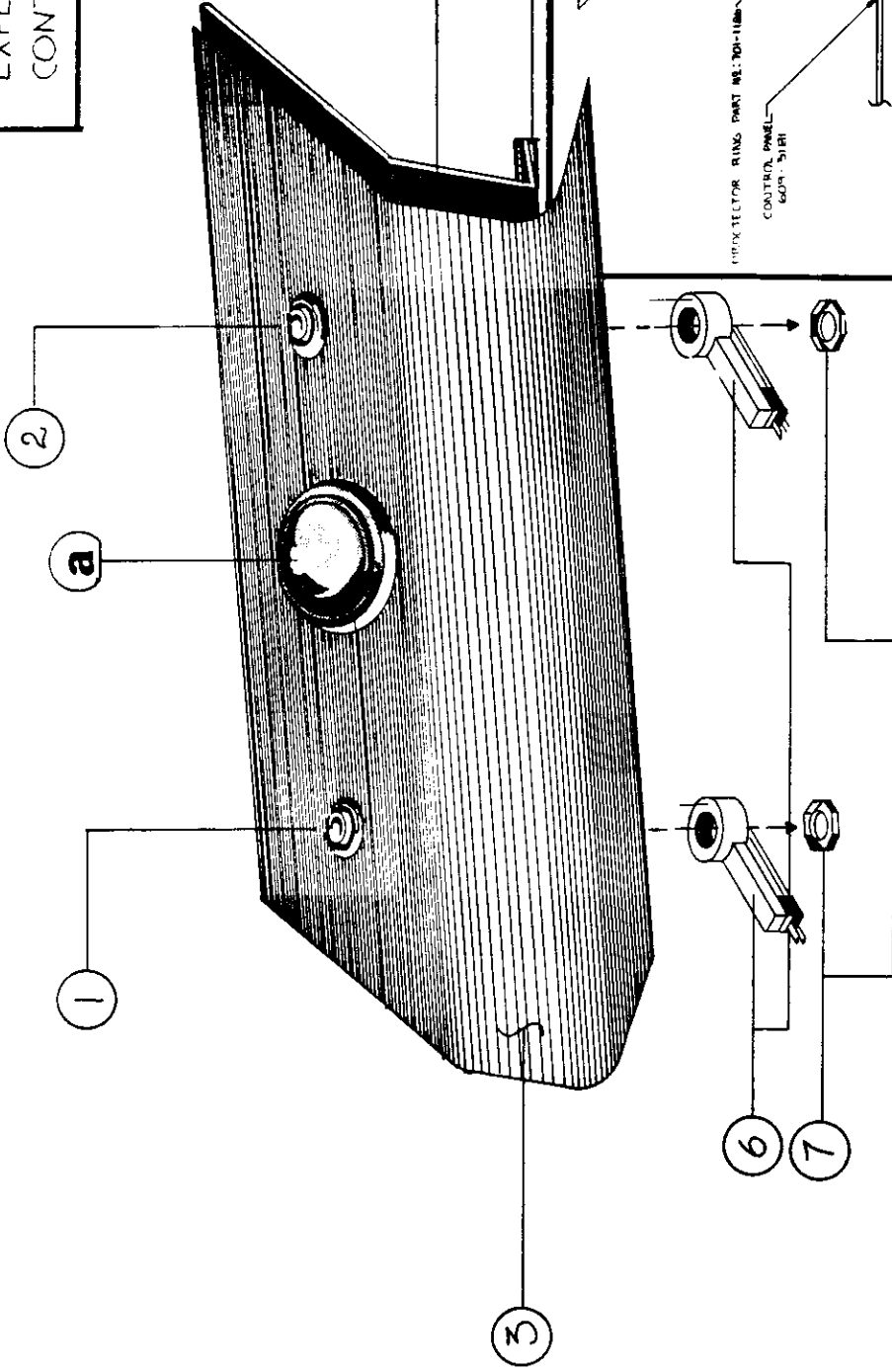
TOLERANCES		BY	
Unless Otherwise Specified			
FRACTIONS	± 1/32		
DECIMALS 2 PL	± 0.05		
DECIMALS 3 PL	± 0.005		
HOLES	± 0.003		
ANGLES	± 1/2°		
SMT. MET BENDS	± 2°		

CABINET FRONT VIEW

PARTS LIST

<u>ITEM</u>	<u>PART NO.</u>	<u>DESCRIPTION</u>
1	302-2705	MARQUEE HOLDING BRACKET
2	802-3116	MARQUEE, BADLANDS
3	302-2862	MARQUEE LOWER HOLDING BRACKET
4	403-1171	SPEAKER, 8 OHM, 6 WATT, 5 $\frac{1}{4}$ IN. RD.
	305-2650	SPEAKER SCREEN
5	302-2863	VIEWING GLASS TOP HOLDING BRACKET
6	801-3100	RIGHT SIDE DECAL, BADLANDS
	801-3101	LEFT SIDE DECAL, BADLANDS
7	804-3135	BLACK PLASTIC BEZEL, 19" MONITOR
8	605-0975	VIEWING GLASS
	406-2063	19" COLOR MONITOR, W/G MODEL 19K4923
9	302-2861	CONTROL PANEL ANGLE BRACKET
10	609-3181	CONTROL PANEL W/OVERLAY, BADLANDS
	801-3103	CONTROL PANEL OVERLAY (ONLY)
11	701-1170	PUSH BUTTON, WHITE
12	701-1171	PUSH BUTTON, RED
	409-1163	LEAF SWITCH W/HOLDER
	103-0951	PAL NUT
13	701-1183	FIRE BUTTON ASS'Y, 3 $\frac{1}{2}$ IN.
14	306-2675	CONTROL PANEL HINGE
15	009-4699	COIN DOOR ASS'Y, COIN CONTROLS #10-3106-00
16	421-0001	LASER DISC PLAYER, PIONEER LD-V1001
	421-0002	VIDEO DISC, BADLANDS
17	416-1662	FAN MOTOR, 4.5 IN., 115V. 12W. (LOCATED ON REAR OF CABINET)
18	402-1511	A.C. POWER CORD, 12 FT.

EXPLODED VIEW
CONTROL PANEL



a	701-1183	FIRE BUTTON ASS'Y
1	701-1170	PUSH BUTTON, WHITE
2	701-1171	PUSH BUTTON, RED
3	201-3103	CNTRL PANEL OVERLAY
4	301-2530	CNTRL PANEL
5	306-2675	HINGE
6	409-1163	SWITCH W/HOLDER
7	103-0951	PAL NUT

FIGURE-3

THE MATERIAL CONTAINED HEREIN IS CONFIDENTIAL AND NO PART OF IT CAN BE REPRODUCED WITHOUT THE EXPRESSED PERMISSION OF CENTURI, INC.

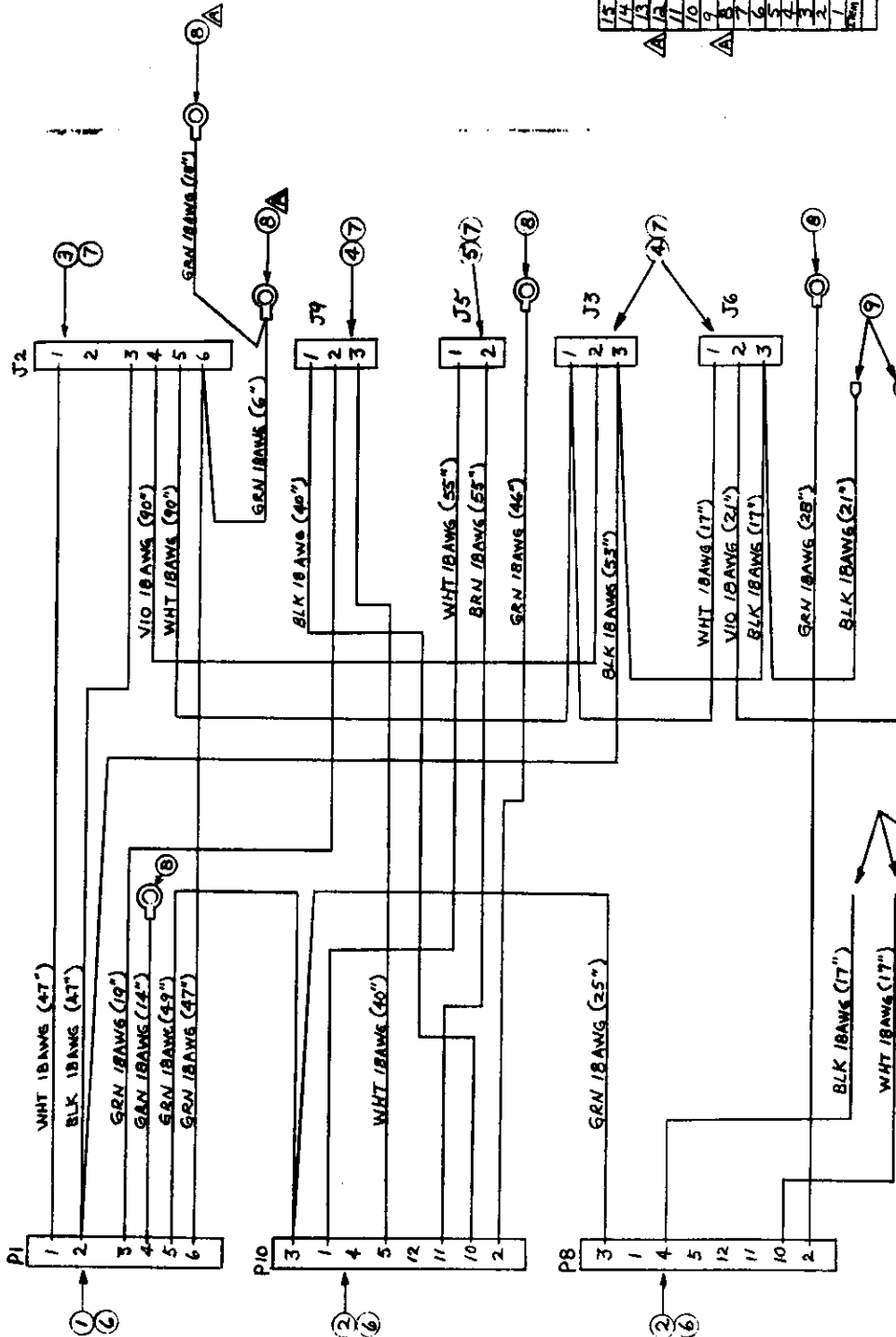


FIGURE-6

STRIP INSULATION OFF 1" ±
TIN WIRE ENDS

QTY	PART NO.	DESCRIPTION	QTY	ASSEMBLY NO.
15	134	HT-101 4" TY WIRE		
14	55	402-131 INSULATED WIRE 18AWG, RED/WH		
13	111	402-137 INSULATED WIRE 18AWG, VIOLET		
12	153	402-135 INSULATED WIRE 18AWG, GREEN		
11	195	402-149 INSULATED WIRE 18AWG, BLACK		
10	244	402-1310 INSULATED WIRE 18AWG, WHITE		
9	2	401-1380 1/2" AUTHORIZED TERMINAL		
8	5	401-1301 RING LOG, STEEL, 1107		
7	16	401-1453 FEMALE PIN, MATEX 03-09-1101		
6	16	401-1549 MALE PIN, MATEX 03-09-1101		
5	1	401-1349 1/2" RECPTACLE, MATEX 03-09-1039		
4	3	401-1331 1/2" PIN RECEPTACLE, MATEX 03-09-1031		
3	2	401-1330 1/2" PIN, MATEX 03-09-1031		
2	1	401-1329 1/2" PIN, MATEX 03-09-1031		
1	1	401-1328 1/2" PIN, MATEX 03-09-1031		

TOLERANCES Unless Otherwise Specified	
FRACTIONS	± 1/32
DECIMALS	± .015
DECIMALS PL	± .005
HOLES	± .001
ANGLES	± 1/2°
SPT. MET BENDS	± 2°

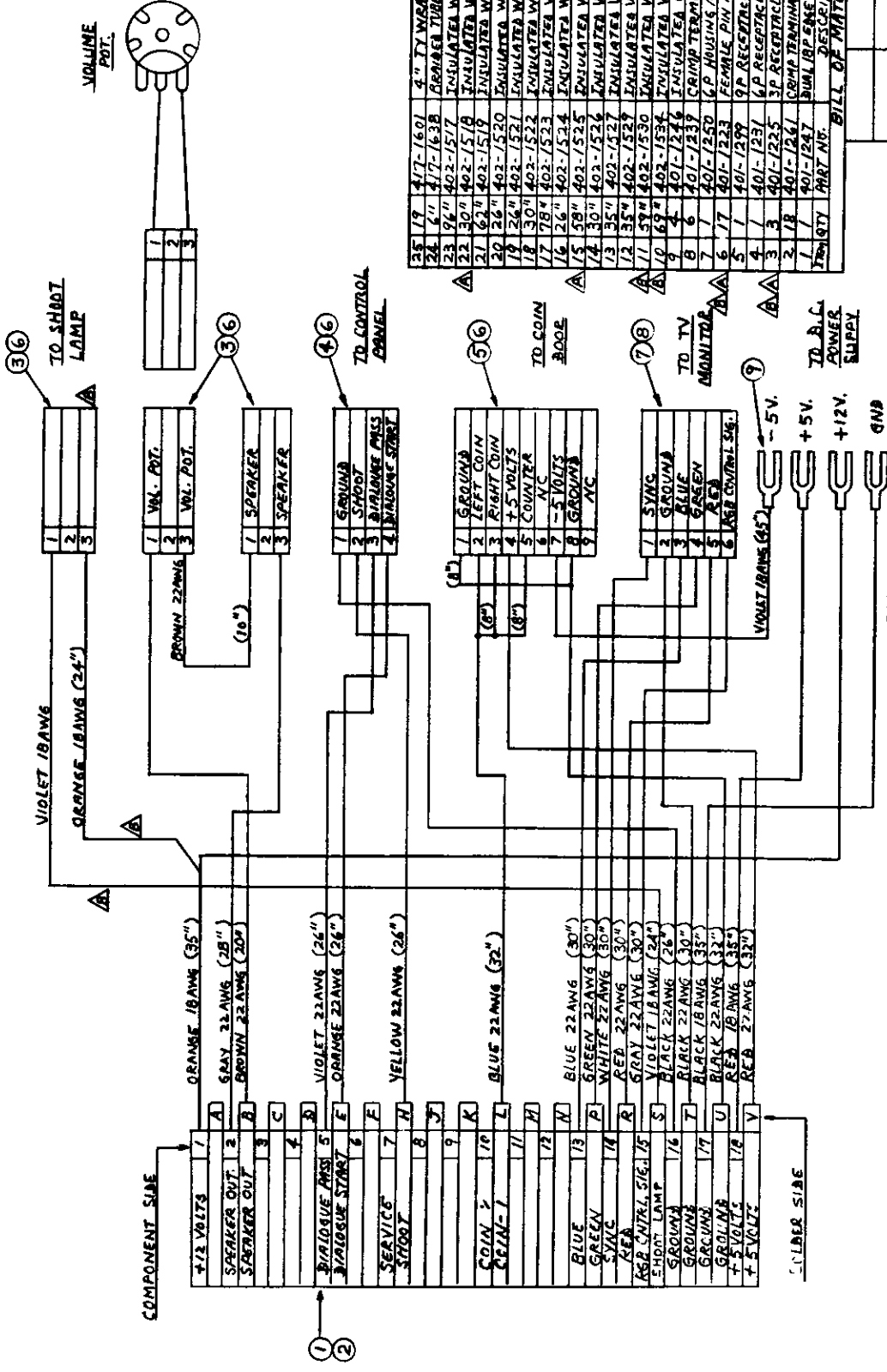
REV. LET.	NO.	REVISION	BY
A	1	ADDED CHANGE OF TERMINALS (A. C. C. CABINET HARNESS - 2-3-84)	MA

DATE	SCALE	PART NO.	FINISH
2-3-84	NONE	008-4934	

Q.C. APVD	PROD. APVD	QTY.	ASSEMBLY NO.
		1	

centuri		MILWAUKEE, FLORIDA 33014	
A.C.C. CABINET HARNESS - BAWLANIS			

THE MATERIAL CONTAINED HEREIN IS CONFIDENTIAL AND NO PART OF IT CAN BE REPRODUCED WITHOUT THE EXPRESSED PERMISSION OF CENTURI, INC.



THE MATERIAL CONTAINED HEREIN IS CONFIDENTIAL AND NO PART OF IT CAN BE REPRODUCED WITHOUT THE EXPRESSED PERMISSION OF CENTURI, INC.

BILL OF MATERIALS

ITEM	QTY.	PART NUMBER	DESCRIPTION
1	1	401-1404	ZAP PLUG AMPHENDL # 5130240
2	75"	402-1304	ZG CONDUCTOR ZZAWIG FLAT CABLE ANSLEY # 171-2
3	1	401-1405	Z6 P PLUG SCOTCHFLEX # 3399-600

AMPHENDL CONNECTOR PIN #	FLAT CABLE CONNECTOR PIN #
16	1
12	2
15	3
12	4
14	5
23	6
13	7
24	8
4	9
18	10
3	11
19	12
2	13
20	14
1	15
21	16
7	17
22	18
17	19
23	20
11	21
18	22
19	23
20	24
21	25
22	26

BOTTOM VIEW

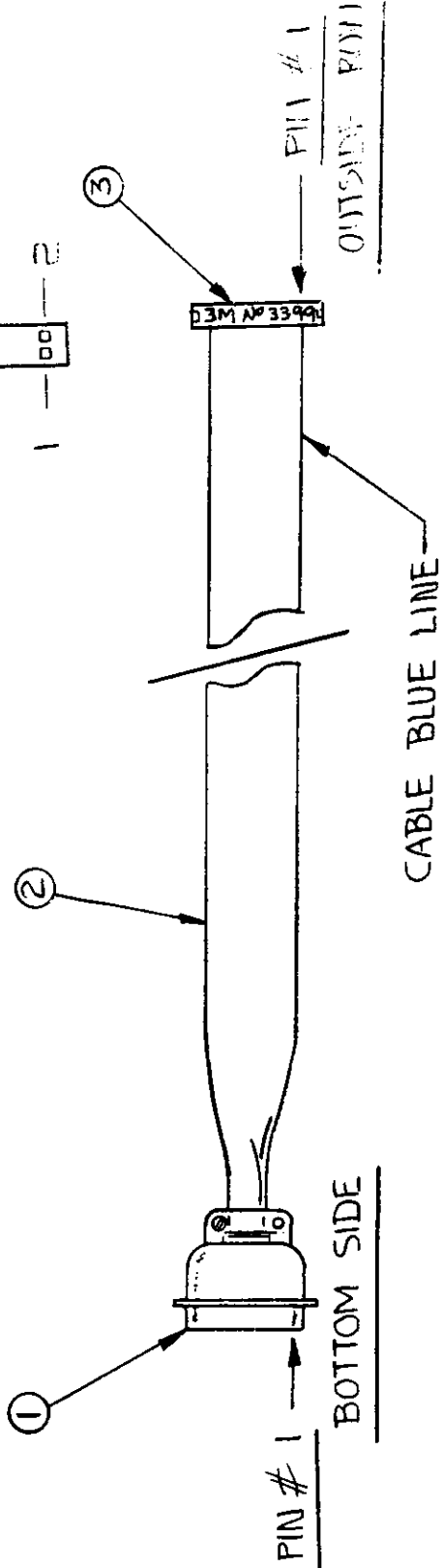
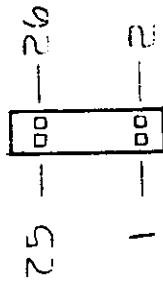


FIGURE-9

QC. APV'D	PROD. APV'D	QTY.	ASSEMBLY NO
		1	



HIALEAH, FLORIDA 33014

DWN.	APP'D	DATE	SCALE	PART NO.	REV.
L.A.	<i>[Signature]</i>	1-30-84	NONE	008-4936	

TOLERANCES		REVISION	
Unless Otherwise Specified			
FRACTIONS	± 1/32	BY	
DECIMALS 2 PL	± .015	ECN NO.	
DECIMALS 3 PL	± .005	REV.	
HOLES	+ .003	LET.	
ANGLES	- .001		
SHT. MET BENDS	± 1/2°		
	± 2°		

THE MATERIAL CONTAINED HEREIN IS CONFIDENTIAL AND NO PART OF IT CAN BE REPRODUCED WITHOUT THE EXPRESSED PERMISSION OF CENTURI, INC.

AMPHENOL CONNECTOR

PIN NO.	SIGNAL LINE
1	B101
2	B102
3	B103
4	B104
5	NC
6	NC
7	COMMAND REQUEST *
8	NC
9	NC
10	NC
11	STATUS STROBE *
12	GNB
13	B105
14	B106
15	B107
16	B108
17	ENTER SIGNAL
18	GNB
19	GNB
20	GNB
21	GNB
22	GNB
23	GNB
24	GNB

* WARNING: DO NOT SHORT TO GROUND

FLAT CABLE CONNECTOR (26P)

PIN NO.	SIGNAL LINE
1	B108
2	GNB
3	B107
4	GNB
5	B106
6	GNB
7	B105
8	GNB
9	B104
10	GNB
11	B103
12	GNB
13	B102
14	GNB
15	B101
16	GNB
17	COMMAND REQUEST
18	GNB
19	ENTER SIGNAL
20	GNB
21	STATUS STROBE
22	GNB
23	GNB
24	GNB
25	GNB
26	GNB

PIN LAYOUT

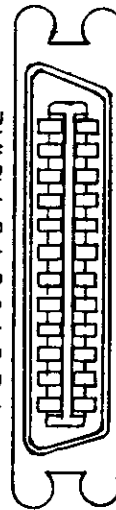


FLAT CABLE CONNECTOR (26P)
3M SCOTCHFLEX 3399-6000

AMPHENOL CONNECTOR (24P)
(57-30240)

PIN LAYOUT - FRONT VIEW

1 2 3 4 5 6 7 8 9 10 11 12



13 14 15 16 17 18 19 20 21 22 23 24

FIGURE-10

OC. APV'D	PROD. APV'D	QTY.	ASSEMBLY NO.

centuri HIALEAH, FLORIDA 33014		NAME RIBBON CABLE ASSY - INFORMATION DRAWING -	
		MAT'L'S. HEAT TREAT. FINISH	
DWN. <i>MM</i>	APP'D. <i>[Signature]</i>	DATE 1-30-84	PART NO. NDNE
REV. LET.	ECN NO.	REVISION	BY

TOLERANCES	
Unless Otherwise Specified	
FRACTIONS	± 1/32
DECIMALS 2 PL	± .015
DECIMALS 3 PL	± .005
HOLES	+ .003
ANGLES	- .001
SHT. MET BENDS	± 1/2°

THE MATERIAL CONTAINED HEREIN IS CONFIDENTIAL AND NO PART OF IT CAN BE REPRODUCED WITHOUT THE EXPRESSED PERMISSION OF CENTURI, INC.

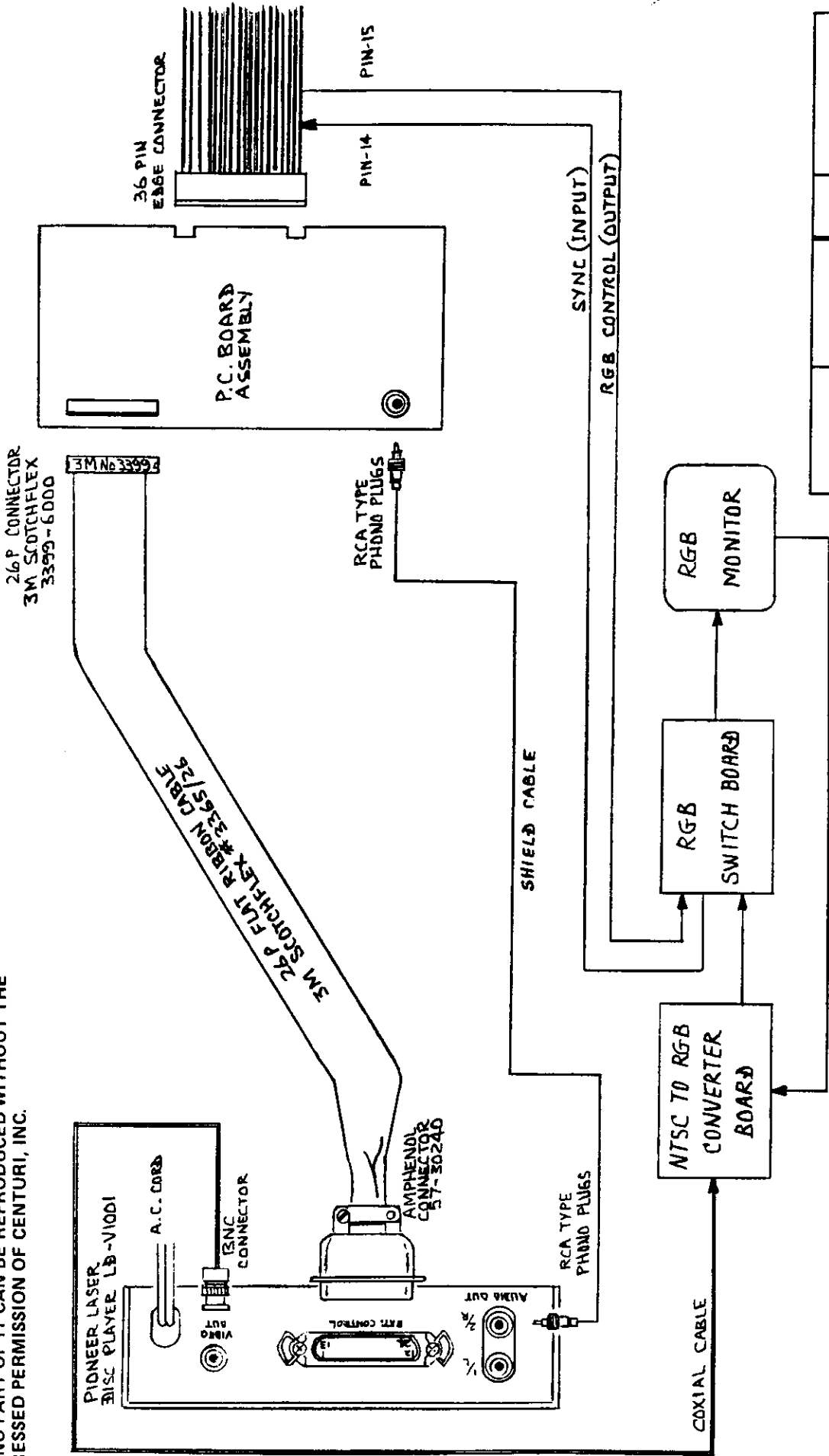


FIGURE-11

TOLERANCES		Unless Otherwise Specified	
FRACTIONS	±	1/32	
DECIMALS 2 PL	±	.015	
DECIMALS 3 PL	±	.005	
HOLES	+	.003	
ANGLES	-	.001	
SHT. MET BENDS	±	1/2°	

REV. LET.	ECN NO.	REVISION	BY

OC. APV'D	PROD. APV'D	QTY.	ASSEMBLY NO.

centuri inc.		HIALEAH, FLORIDA 33014	
NAME SYSTEM INTERCONNECT DIAGRAM-BABLANDS			
MATT'S.		HEAT TREAT. FINISH	
DWN. <i>MS</i>	DATE 1-30-84	SCALE NONE	PART NO.
REV.	REV.		

27 17899A

THE MATERIAL CONTAINED HEREIN IS CONFIDENTIAL AND NO PART OF IT CAN BE REPRODUCED WITHOUT THE EXPRESSED PERMISSION OF CENTURI, INC.

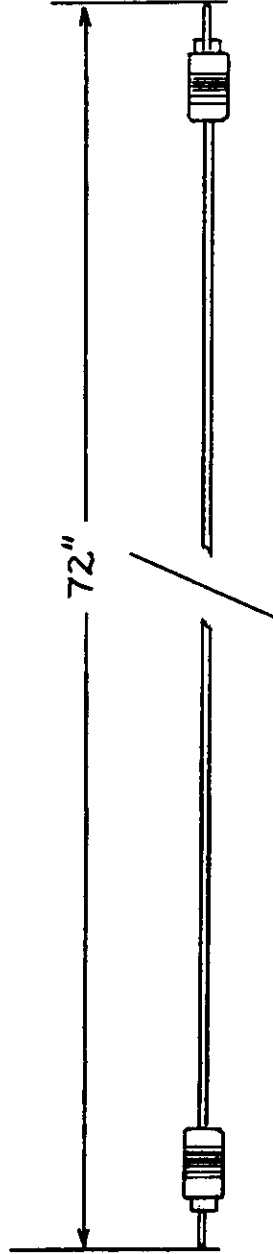
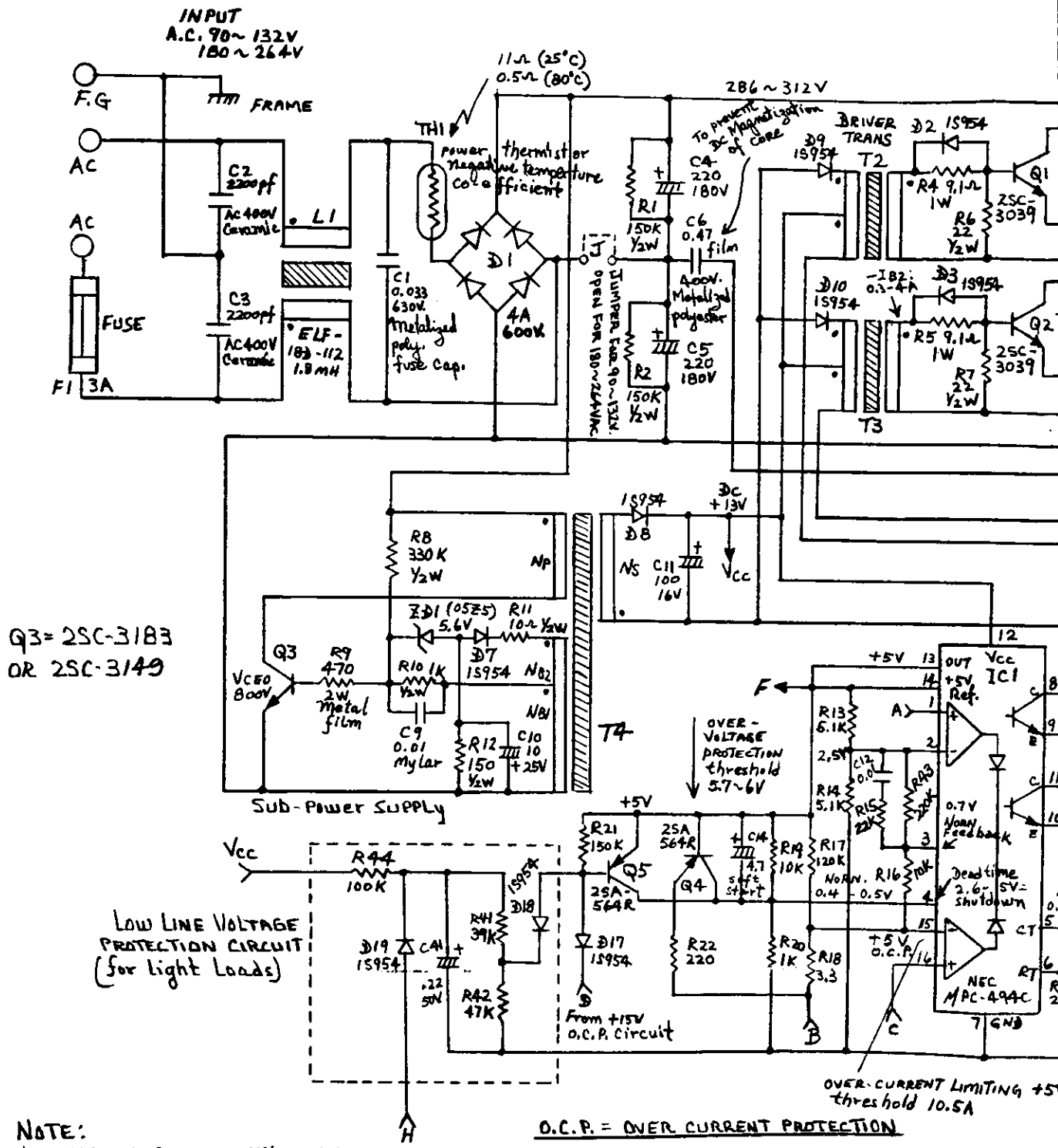


FIGURE-13

TOLERANCES		QC. APV'D		PROD. APV'D		QTY.		ASSEMBLY NO	
Unless Otherwise Specified						/			
FRACTIONS	± 1/32								
DECIMALS 2 PL	± .015								
DECIMALS 3 PL	± .005								
HOLES	+ .003								
ANGLES	- .001								
SHT. MET BENDS	± 1/2°								
	± 2°								
REV. LET.	ECN NO.	REVISION	BY	DATE	SCALE	PART NO.	HEAT TREAT.	FINISH	REV.
				2-6-84	NCNE	008-4938			
				centuri ^{INC.}				HIALEAH, FLORIDA 33014	
				NAME		CPU TO DISC PLAYER AUDIO CABLE ASSY			
				MATERIALS					
				APP'D		<i>[Signature]</i>			
				DWN		MS			

27 17899A



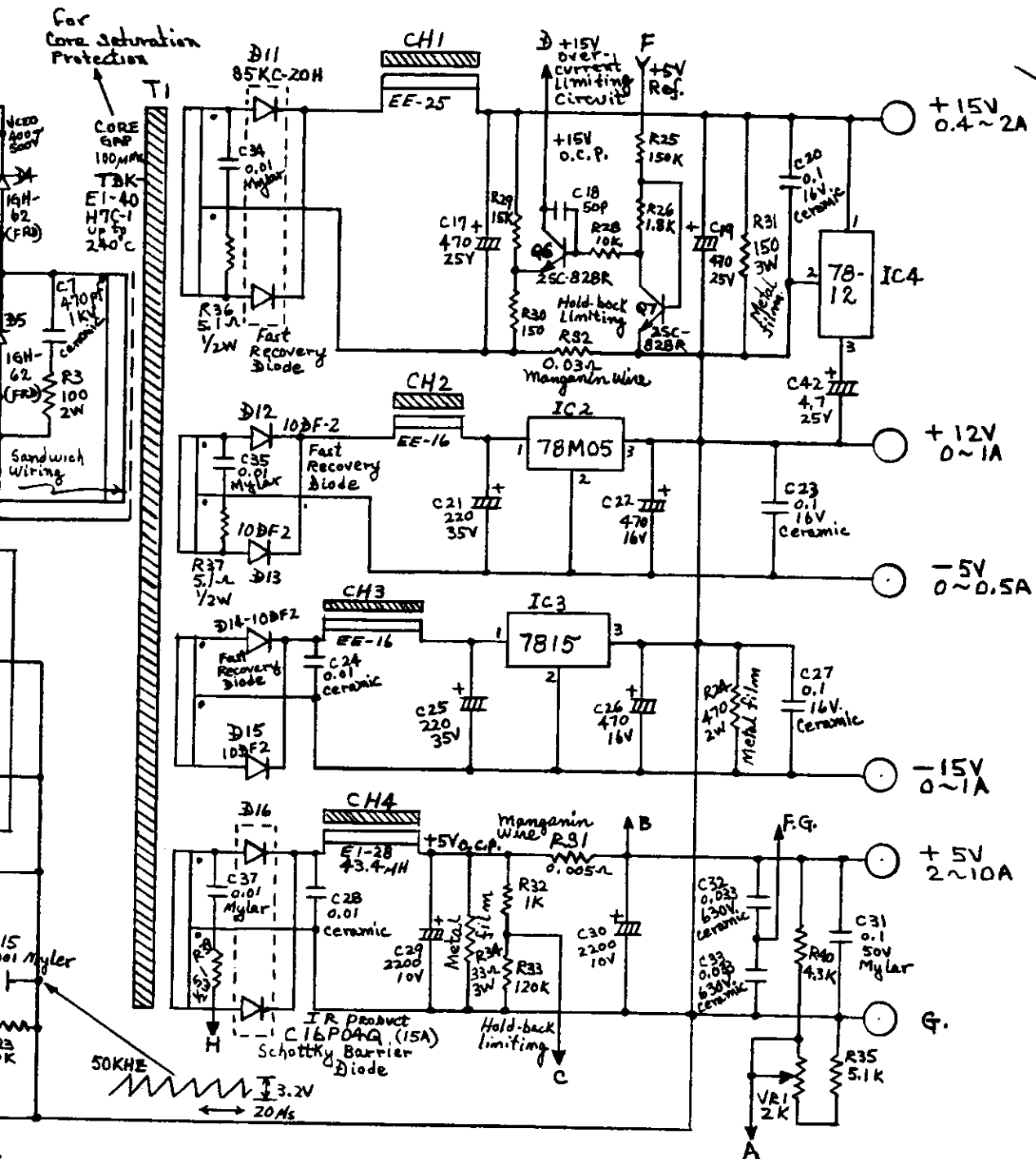


FIGURE-14

POWER SUPPLY
P/N 414-2021

QC. APV'D	PROD. APV'D	QTY.	ASSEMBLY NO
-----------	-------------	------	-------------

TOLERANCES	
Unless Otherwise Specified	
FRACTIONS	± 1/32
DECIMALS 2 PL	± .015
DECIMALS 3 PL	± .005
HOLES	± .003
ANGLES	± 1/2'
SHT. MET BENDS	± 2'

centuri_{INC.}

HIALEAH, FLORIDA 33014

NAME
PAL SWITCHING POWER SUPPLY, PSR-1105-AP

MAT'L'S. HEAT TREAT. FINISH

DWN	APP'D.	DATE	SCALE	PART NO.	REV.
		8-1-83	7/8	905-4908	

Power Supply PSR-1105AP

PARTS LIST (414-2021)

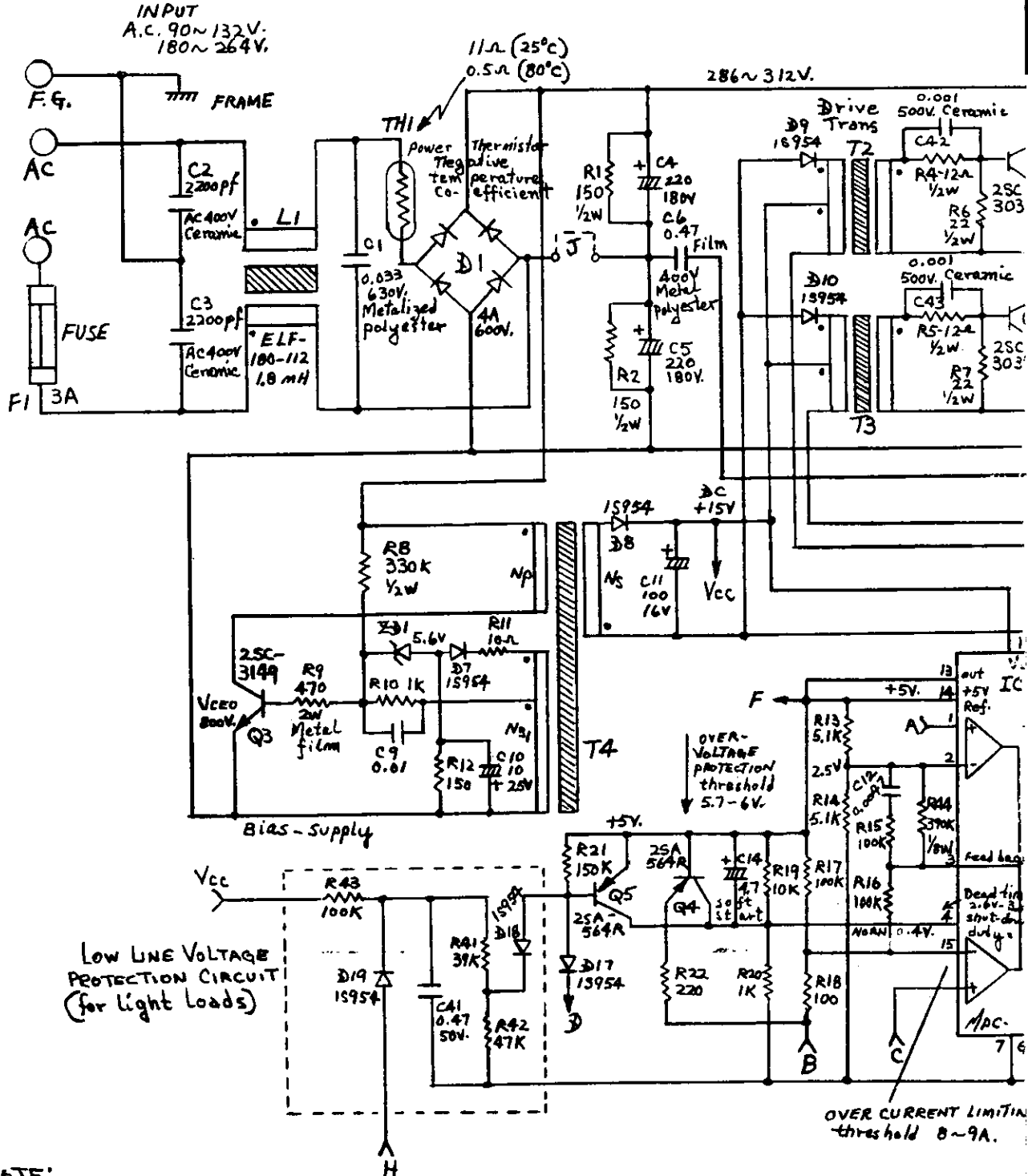
<u>Symbol</u>	<u>Description</u>	<u>Qty</u>
D1	Bridge Rectifier, S4VB-600V	1
D2,3,7,8,9, 10,17,18,19	Switching Diode, 1S954	9
D4,5	Fast Recovery Diode, 1GH62, 400V	2
D12,13,14,15	Fast Recovery Diode, 10DF-2, 200V	4
D11	Fast Recovery Diode, S5KC20H, 200V	1
D16	Schottky Barrier Diode, C16P04Q	1
ZD1	Zener Diode, 05Z5, 6A, 5.6V, 500mw	1
Q1,2	Power Transistor, 2SC3039	2
Q3	Power Transistor, 2SC3149	1
Q4,5	Transistor, 2SA564R	2
Q6,7	Transistor, 2SC828R	2
IC1	Switching Control, mPC494C, NEC	1
IC2	Regulator, 78M05	1
IC3	Regulator, 7815	1
IC4	Regulator, 7812	1
T1	Power Transformer, SM-2405	1
T2,3	Driver Transformer, SM-2215B	2
T4	Sub-Power Supply Transformer, SM-2399	1
CH1	EE-25, Choke Inductor, SM-2374	1
CH2,3	EE-16, Choke Inductor, SM-2367	2
CH4	EI-28, Choke Inductor, SM-2391	1
L1	AC Line Filter, ELF-18D-112	1
TH1	Power N.T.C. Thermistor, TD18-010	1
C1,32,33	Capacitor, Metalized Polyester, 0.033mf, 630V	3
C2,3	Capacitor, Ceramic, 2200pf, AC 400V, $\pm 20\%$	2
C4,5	Capacitor, Electrolytic, 220mf, 180V	2
C6	Capacitor, Metalized Polyester, 0.47mf, 400V	1
C7	Capacitor, Ceramic, 470pf, 1KV	1
C9,12,34,35,37	Capacitor, Mylar Film, 0.01mf, 50V	5
C10	Capacitor, Electrolytic, 10mf, 25V	1
C11	Capacitor, Electrolytic, 100mf, 16V	1
C14,42	Capacitor, Electrolytic, 4.7mf, 25V	2
C15	Capacitor, Polyester Film, 0.001mf, 50V	1
C17,19	Capacitor, Electrolytic, 470mf, 25V	2
C18	Capacitor, Ceramic, 50pf, 50V	1
C20,23,27,28	Capacitor, Ceramic, 0.1mf, 16V	4
C21,25	Capacitor, Electrolytic, 220mf, 35V	2
C22,26	Capacitor, Electrolytic, 470mf, 16V	2
C24	Capacitor, Ceramic, 0.01mf, 50V	1
C29,30	Capacitor, Electrolytic, 2200mf, 10V	2
C31	Capacitor, Mylar Film, 0.1mf, 50V	1
C41	Capacitor, Electrolytic, 0.22mf, 50V	1
R1,2	Resistor, Carbon Film, 150K Ohm, $\frac{1}{2}$ W, $\pm 5\%$	2
R3	Resistor, Metal Film, 100 Ohm, 2W, $\pm 5\%$	1
R4,5	Resistor, Metal Film, 9.1 Ohm, 1W, $\pm 5\%$	2
R6,7	Resistor, Carbon Film, 22 Ohm, $\frac{1}{2}$ W, $\pm 5\%$	2

Power Supply PSR-1105AP

PARTS LIST (414-2021)

<u>Symbol</u>	<u>Description</u>	<u>Qty</u>
R8	Resistor,Carbon Film, 330K Ohm, ½W, ±5%	1
R9	Resistor,Metal Film, 470 Ohm, 2W, ±5%	1
R10	Resistor,Mini-Metal Film,1K Ohm, ½W, ±5%	1
R11	Resistor,Mini-Metal Film, 10 Ohm, ½W, ±5%	1
R12	Resistor,Mini-Metal Film,150 Ohm, ½W, ±5%	1
R13,14,35	Resistor,Carbon Film, 5.1K Ohm, ½W, ±5%	3
R15	Resistor,Carbon Film, 22K Ohm, ½W, ±5%	1
R16,19,28	Resistor,Carbon Film, 10K Ohm, ½W, ±5%	3
R17,33	Resistor,Carbon Film, 120K Ohm, ½W, ±5%	2
R18	Resistor,Carbon Film, 3.3 Ohm, ½W, ±5%	1
R20	Resistor,Carbon Film, 1K Ohm, ½W, ±5%	1
R21,25	Resistor,Carbon Film, 150K Ohm, ½W, ±5%	2
R22	Resistor,Carbon Film, 220 Ohm, ½W, ±5%	1
R23	Resistor,Carbon Film, 20K Ohm, ½W, ±5%	1
R24	Resistor,Metal Film, 470 Ohm, 2W, ±5%	1
R26	Resistor,Carbon Film, 1.8K Ohm, ½W, ±5%	1
R29	Resistor,Carbon Film, 15K Ohm, ½W, ±5%	1
R30	Resistor,Carbon Film, 150 Ohm, ½W, ±5%	1
R31	Resistor,Metal Film, 150 Ohm, 3W, ±5%	1
R32	Resistor,Carbon Film, 1K Ohm, ½W, ±5%	1
R34	Resistor,Metal Film, 33 Ohm, 3W, ±5%	1
R36,39	Resistor,Metal Film, 5.1 Ohm, ½W, ±5%	2
R37	Resistor,Carbon Film, 5.1 Ohm, ½W, ±5%	1
R40	Resistor,Carbon Film, 4.3K Ohm, ½W, ±5%	1
R41	Resistor,Carbon Film, 39K Ohm, ½W, ±5%	1
R42	Resistor,Carbon Film, 47K Ohm, ½W, ±5%	1
R43	Resistor,Carbon Film, 220K Ohm,1/8W, ±5%	1
R44	Resistor,Carbon Film, 100K Ohm, ½W, ±5%	1
RS1	Resistor,Wire Manganin,A-2145,0.005 Ohm,2 Ø	1
RS2	Resistor,Wire Manganin,A-2256,0.03 Ohm, 1 Ø	1
VR1	Potentiometer, Mini Type, 2K Ohm	1
F1	Fuse, 3 Ampere	1

THE MATERIAL CONTAINED HEREIN IS CONFIDENTIAL
AND NO PART OF IT CAN BE REPRODUCED WITHOUT THE
EXPRESSED PERMISSION OF CENTURI, INC.



NOTE:
ALL CAPACITORS ARE MYLAR-FILM
UNLESS INDICATED.
ALL RESISTORS ARE CARBON 1/4 WATT
UNLESS INDICATED.

REV. LET.	ECN NO.	

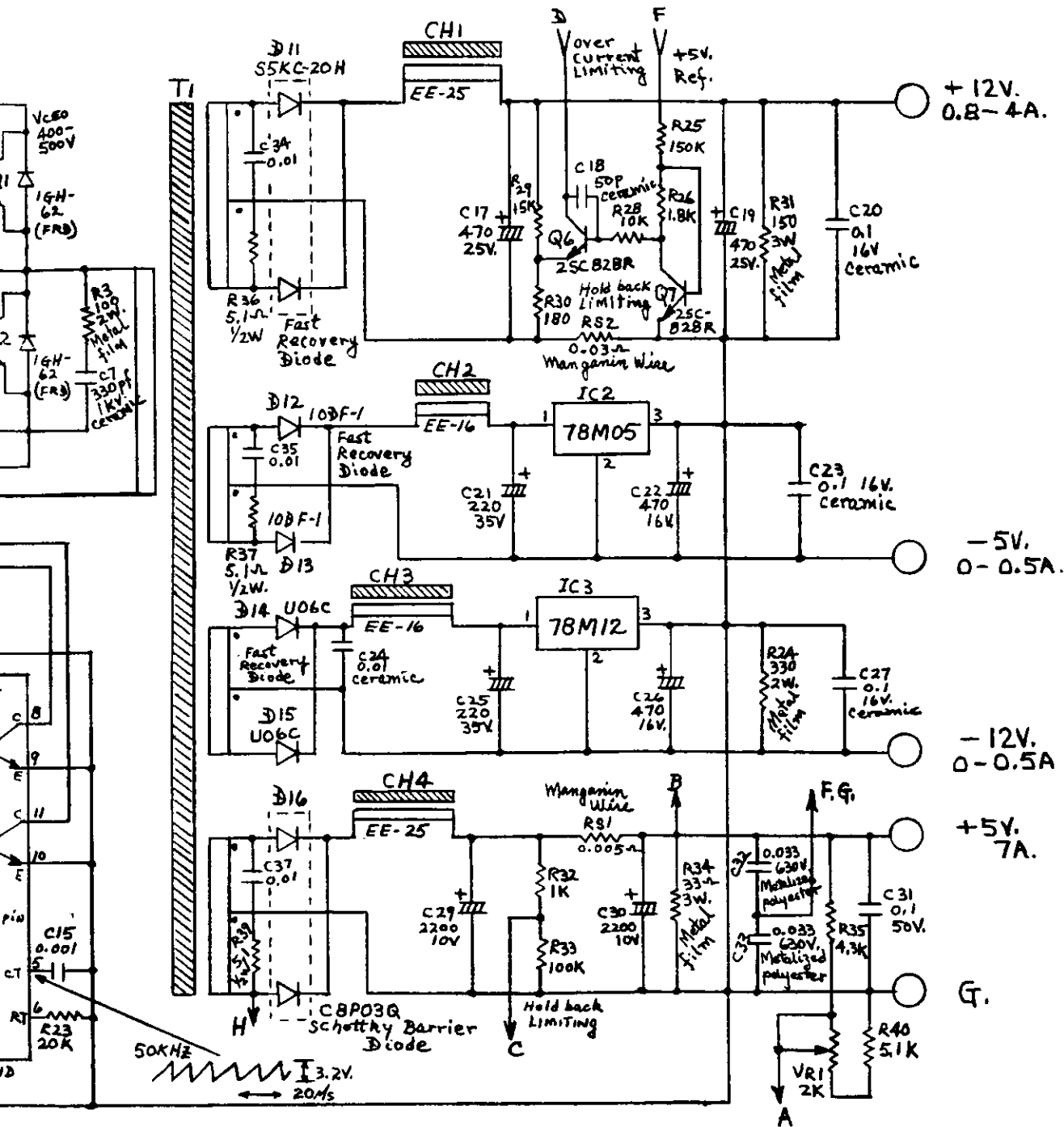


FIGURE-15

POWER SUPPLY PIN
414-2023

QC. APV'D	PROD. APV'D	QTY.	ASSEMBLY NO

		TOLERANCES		centuri HIALEAH, FLORIDA 33014					
		Unless Otherwise Specified							
		FRACTIONS	± 1/32	NAME PAL SWITCHING POWER SUPPLY, PSR-804-AT					
		DECIMALS 2 PL	± .015						
		DECIMALS 3 PL	± .005	MATERIALS. HEAT TREAT. FINISH					
		HOLES	+ .003						
		ANGLES	± 1/2°	DWN. APP'D. DATE SCALE PART NO. REV.					
		SHT. MET BENDS	± 2°						
REVISION	BY			DWN. <i>MS.</i>	APP'D. <i>[Signature]</i>	DATE 7-23-83	SCALE <i>[Symbol]</i>	PART NO. 905-4914	REV.

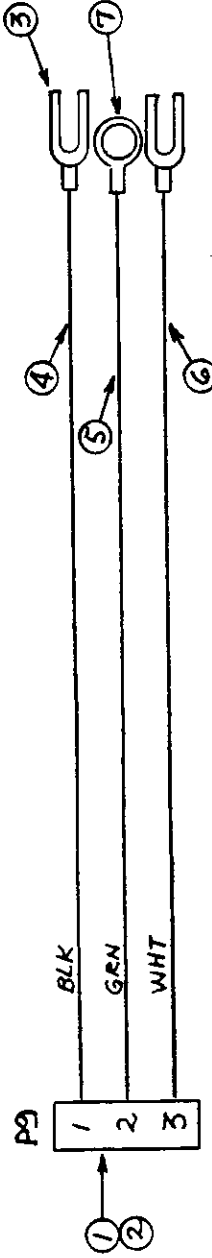
Power Supply PSR-804AT
PARTS LIST (414-2023)

<u>Symbol</u>	<u>Description</u>	<u>Qty</u>
D1	Bridge Rectifier, RB-40, 600V	1
D4,5	Fast Recovery Diode, 1GH62	2
D7,8,9,10		
D17,18,19	Switching Diode, 1S954	7
D11	Fast Recovery Diode, S5KC20H	1
D12,13,14,15	Fast Recovery Diode, 10DF1	4
D16	Shottky Barrier Diode, C8P03Q	1
ZD1	Zener Diode, 05Z5, 5.6V, 500mW	1
Q1,2	Power Transistor, 2SC3039	2
Q3	Power Transistor, 2SC3149	1
Q4,5	Transistor, 2SA564R	2
Q6,7	Transistor, 2SC828R	2
IC1	Control I.C., PC494C	1
IC2	Regulator, 78M05	1
IC3	Regulator, 78M12	1
T1	Power Transformer, SM-2385	1
T2,3	Driver Transformer, SM-2215B	2
T4	Sub-Power Supply Transformer, SM-2399	1
CH1	EE25 Choke, SM-2374	1
CH2,3	EE16 Choke, SM-2367B	2
CH4	EE25 Choke, SM-2366	1
L1	Line Filter, ELF-18D-112	1
TH1	Power Thermistor, TD18-010	1
C1,32,33	Capacitor, Metalized polyester, 0.033, 630V.	3
C2,3	Capacitor, Ceramic, 2200pf, AC400V.	2
C4,5	Capacitor, Electrolytic, 220mf, 180V.	2
C6	Capacitor, Metalized polyester, 0.47mf, 400V.	1
C7	Capacitor, Ceramic, 330pf, 1KV	1
C9,34,35,37	Capacitor, Mylar Film, 0.01mf, 50V.	4
C10	Capacitor, Electrolytic, 10mf, 25V.	1
C11	Capacitor, Electrolytic, 100mf, 16V.	1
C12	Cap. Mylar Film, 0.0047mf, 50V.	1
C14	Capacitor, Electrolytic, 4.7mf, 25V.	1
C15	Capacitor, Polyester, 0.001mf, 50V.	1
C17,19	Capacitor, Electrolytic, 470mf, 25V.	2
C18	Capacitor, Ceramic, 50pf	1
C20,23,27	Capacitor, Ceramic, 0.1mf, 16V.	3
C21,25	Capacitor, Electrolytic, 220mf, 35V.	2
C22,26	Capacitor, Electrolytic, 470mf, 16V.	2
C24	Capacitor, Ceramic, 0.01mf, 50V.	1
C29,30	Capacitor, Electrolytic, 2200mf, 10V.	2
C31	Capacitor, Mylar Film, 0.1mf, 50V.	1
C41	Capacitor, Electrolytic, 0.47mf, 50V.	1
C42,43	Capacitor, Ceramic, 0.001mf, 500V.	2
R1,2	Resistor, Carbon, 150K Ohm, $\frac{1}{2}$ W.	2
R3	Resistor, Metal Oxide, 100 Ohm, 2W	1
R4,5	Resistor, Carbon, 12 Ohm, $\frac{1}{2}$ W	2
R6,7	Resistor, Carbon, 22 Ohm, $\frac{1}{2}$ W.	2
R8	Resistor, Carbon, 330K Ohm, $\frac{1}{2}$ W.	1

Power Supply PSR-804AT
PARTS LIST (414-2023)

<u>Symbol</u>	<u>Description</u>	<u>Qty</u>
R9	Resistor, Metal Oxide, 470 Ohm, 2W.	1
R10,20,32	Resistor, Carbon, 1K Ohm, 1/2W.	3
R11	Resistor, Carbon, 10 Ohm, 1/2W.	1
R12	Resistor, Carbon, 150 Ohm, 1/2W.	1
R13,14,40	Resistor, Carbon, 5.1K Ohm, 1/2W.	3
R15,16,17,33	Resistor, Carbon, 100K Ohm, 1/2W.	4
R18	Resistor, Carbon, 100 Ohm, 1/2W.	1
R19,28	Resistor, Carbon, 10K Ohm, 1/2W.	2
R21,25	Resistor, Carbon, 150K Ohm, 1/2W.	2
R22	Resistor, Carbon, 220 Ohm, 1/2W.	1
R23	Resistor, Carbon, 20K Ohm, 1/2W.	1
R24	Resistor, Metal Oxide, 330 Ohm, 2W.	1
R26	Resistor, Carbon, 1.8K Ohm, 1/2W.	1
R29	Resistor, Carbon, 15K Ohm, 1/2W.	1
R30	Resistor, Carbon, 180 Ohm, 1/2W.	1
R31	Resistor, Metal Oxide, 150 Ohm, 3W.	1
R34	Resistor, Metal Oxide, 33 Ohm, 3W.	1
R35	Resistor, Carbon, 4.3K Ohm, 1/2W.	1
R36,37,39	Resistor, Carbon, 5.1 Ohm, 1/2W.	3
R41	Resistor, Carbon, 39K Ohm, 1/2W.	1
R42	Resistor, Carbon, 47K Ohm, 1/2W.	1
R43	Resistor, Carbon, 100K Ohm, 1/2W.	1
R44	Resistor, Carbon, 390K Ohm, 1/8W.	1
RS1	Resistor, Manganin wire, 0.005 Ohm (A2145)	1
RS2	Resistor, Manganin wire, 0.03 Ohm (A2256)	1
VR1	Mini-Potentiometer, 2K Ohm	1
F1	Fuse, 3 Ampere	1
FH1	Fuse Holder, F207	1

THE MATERIAL CONTAINED HEREIN IS CONFIDENTIAL AND NO PART OF IT CAN BE REPRODUCED WITHOUT THE EXPRESSED PERMISSION OF CENTURI, INC.



8	2	4-17-601	4" TY WRAPS
7	1	401-1201	RING LUG, ETC # B-137-10T
6	12	402-1536	INSULATED WIRE 18AWG, WHITE
5	13	402-1532	" " " GREEN
4	12	402-1527	" " " BLACK
3	2	401-1246	INSULATED OPEN LUG
2	3	401-1222	MALE PIN MOLEX # 02-09-2116
1	1	401-1224	PIN PLUS MOLEX # 03-09-2031
ITEM	QTY	PART NO.	DESCRIPTION
BILL OF MATERIALS			

FIGURE-16

centuri INC.		HIALEAH, FLORIDA 33014	
NAME		POWER SUPPLY A.C. HARNESS	
MATERIALS		HEAT TREAT. FINISH	
DWN.	APP'D.	DATE	SCALE
M.J.	<i>[Signature]</i>	2-2-84	NONE
REV. LET.	ECN NO.	REVISION	BY
TOLERANCES		Unless Otherwise Specified	
FRACTIONS	±	1/32	
DECIMALS 2 PL	±	.015	
DECIMALS 3 PL	±	.005	
HOLES	+	.003	
ANGLES	-	.001	
SHT. MET BENDS	±	1/2°	
REV.	PART NO.	SCALE	REV.
	008-4908	NONE	

