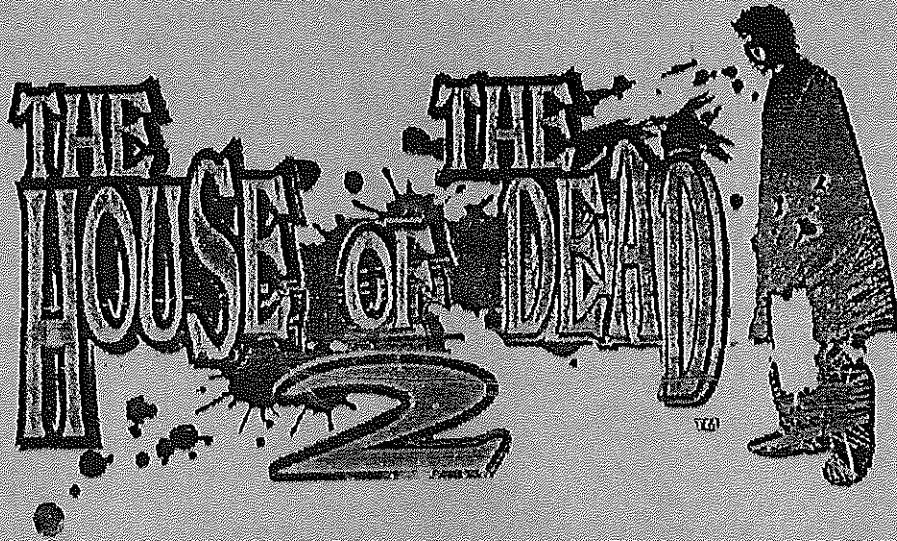
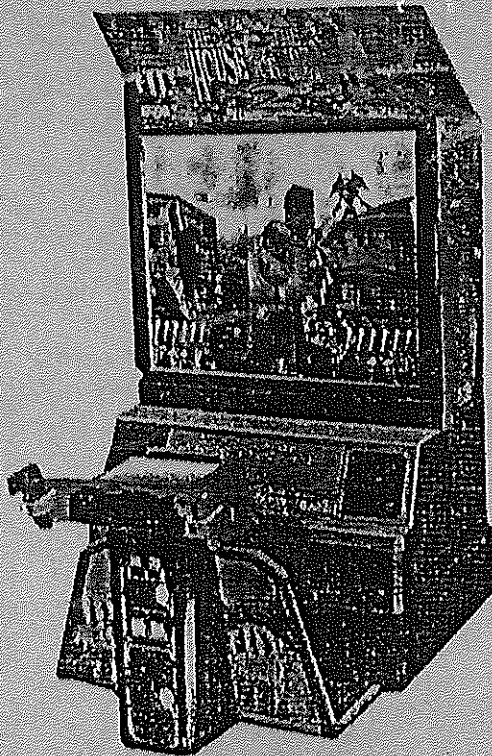


1st PRINTING DEC 98

SEGA

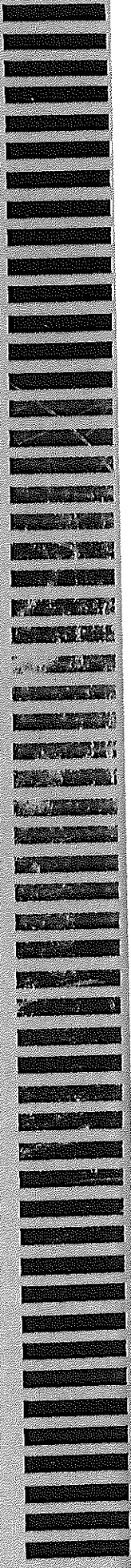


DLX VERSION
OWNER'S MANUAL



SEGA ENTERPRISES, INC. USA

MANUAL NO. 4201-6428-03

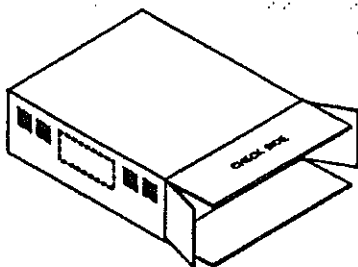




**THE SHIPMENT METHOD DESCRIBED BELOW ONLY
APPLIES TO 'MODEL 3' AND 'NAOMI' BOARDS
CONTAINED IN THE FOLLOWING GAMES:**

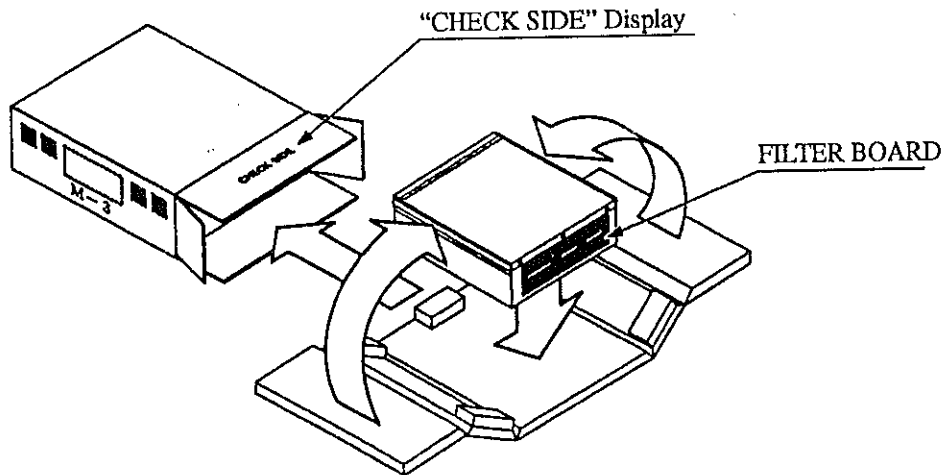
LOST WORLD, VIRTUA FIGHTER 3, SUPER GT, SEGA BASS FISHING, STRIKER 2
HARLEY DAVIDSON, RALLY 2, DAYTONA 2, DIRT DEVILS, THE OCEAN HUNTER,
STAR WARS TRILOGY, HOUSE OF THE DEAD 2

**!!NEVER SHIP MODEL 3 AND/OR NAMOI
GAME BOARDS OUTSIDE OF CAGE!!**



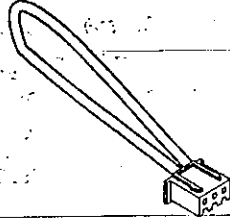
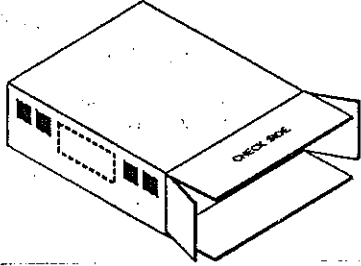
CARTON BOX
601-8928 (1)
Used for transporting the GAME BOARD.
(SUPPLIED WITH YOUR GAME)

**DO NOT SHIP GAME BOARD WITHOUT
THIS BOX AS IT MAY DAMAGE THE GAME
BOARD AND VOID YOUR WARRANTY.**



**NO OTHER GAMES BOARDS ARE TO BE SHIPPED IN THE CAGE AS
THEY MAY BE DAMAGED BEYOND REPAIR. PLEASE SHIP THEM
WITHOUT CAGE PROPERLY PROTECTED DURING SHIPPING.**

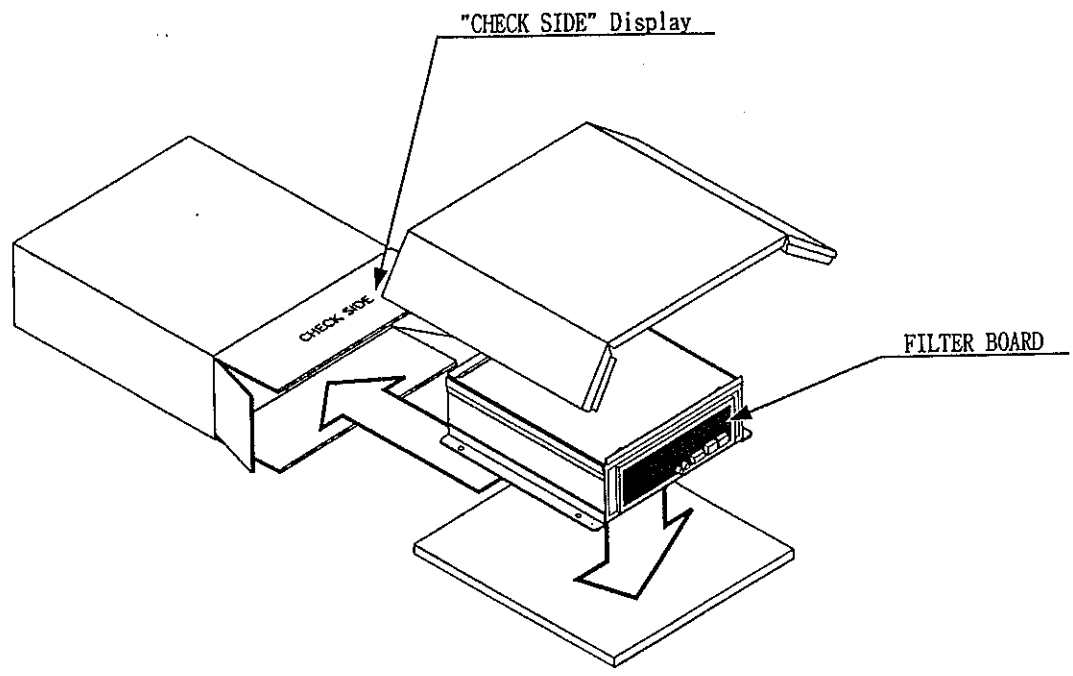
TABLE 5 b ACCESSORIES

<p>WIRE HOD-60040 (1) Used for the prevention of Sight Sensor jamming (see next page).</p>	<p>CARTON BOX 601-10488 (1) Used for transporting the Game Board. Refer to Next Page.</p>
	

HOW TO USE THE CARTON BOX

STOP
IMPORTANT!

- When asking for the replacement or repair of the product's Game Board, be sure to put the Game Board together with the Shield Case in a Carton Box. Otherwise, the request is not acceptable.
- Put the Shield Case in the Carton Box by paying attention to the correct direction as per the following instructions and as shown by the instructions printed on the Carton Box. Handling in an erroneous manner can damage the Game Board.



Wrap the Shield Case with the packing material and put it in the Carton Box as shown. Putting it upside down or packing otherwise in the manner not shown can damage the Game Board and parts.

6. ASSEMBLING AND INSTALLATION

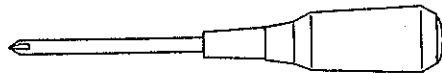


- Perform assembly work by following the procedure herein stated. Failing to comply with the instructions can cause electric shock hazard.
- Assembling should be performed as per this manual. Since this is a complex machine, erroneous assembling can cause an electric shock, machine damage and or not functioning as per specified performance.
- When assembling, be sure to use plural persons. Depending on the assembly work, there are some cases in which working by one person alone can cause personal injury or parts damage.

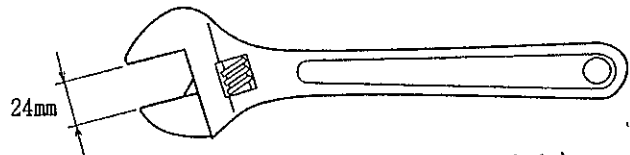
When carrying out the assembling and installation, follow the following 5-item sequence.

- 1 ASSEMBLING THE PTV
- 2 ASSEMBLING THE CABINET
- 3 SECURING IN PLACE (ADJUSTER ADJUSTMENT)
- 4 POWER SUPPLY, AND EARTH CONNECTION
- 5 ASSEMBLY CHECK

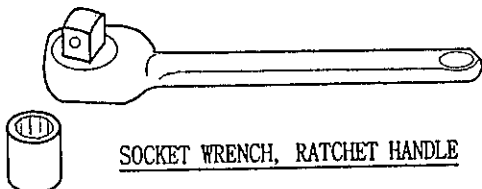
The master key (accessories) in addition to the tools such as a Phillips type screwdriver, wrench for M16 hexagon bolt, socket wrench and Ratchet Handle are required for the assembly work.



Phillips type screwdriver



WRENCH (for M16 hexagon bolt)



SOCKET WRENCH, RATCHET HANDLE



MASTER KEY

1

ASSEMBLING THE PTV



WARNING!

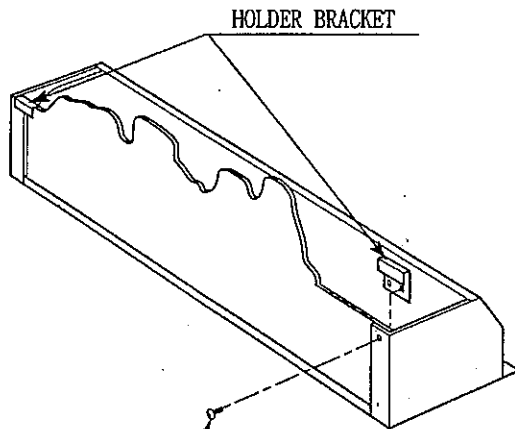
Installing the Billboard by one person is difficult. Be sure to use plural persons to perform work safely and accurately.



CAUTION!

To perform work safely and securely, be sure to prepare a step which is in a secure and stable condition. Performing work without using the step can cause violent falling down accidents.

- ① Insert Billboard Plate F into the Billboard Box.
- ② Secure the 2 Holder Brackets with a screw for each.



TRUSS SCREW (one each)
M4×12, black

FIG. 6.1 b

- ③ Insert Billboard Plate R into the Billboard Box and secure with 3 screws.

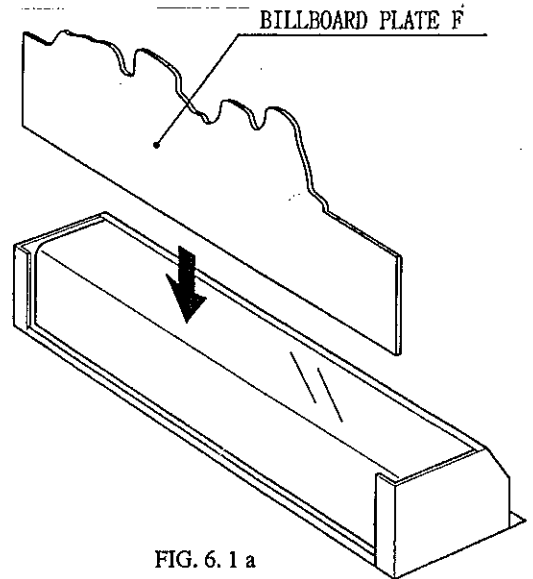


FIG. 6.1 a

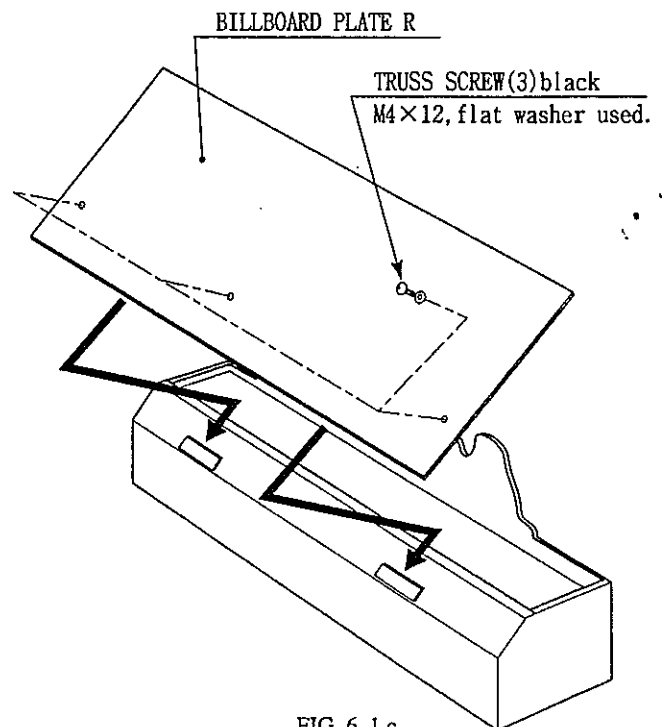
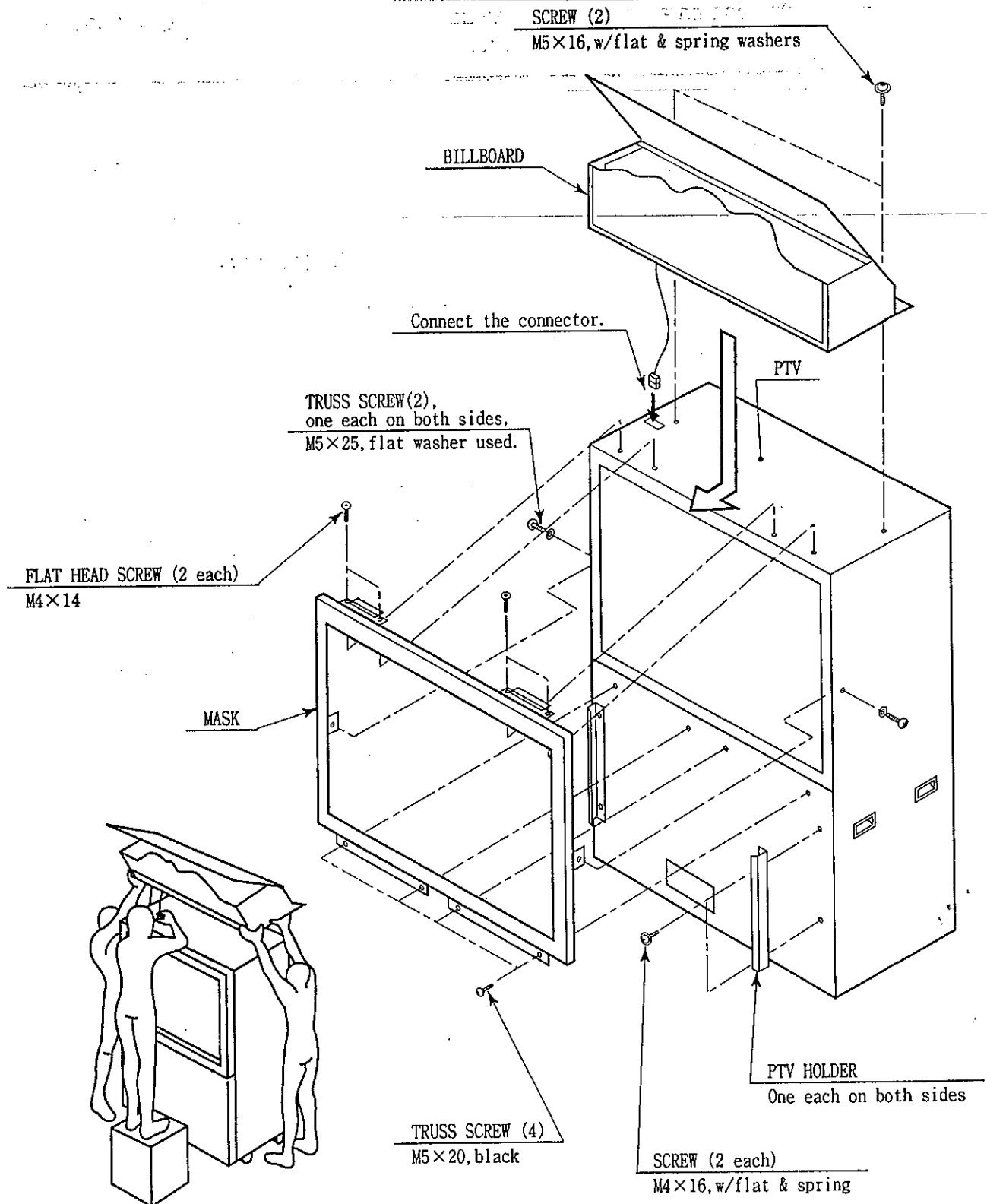


FIG. 6.1 c

- ④ Install the Mask to the PTV with 10 screws.
- ⑤ Connect the Billboard's wire connector to the PTV ceiling connector.
- ⑥ Insert the Billboard to the Mask and secure to the PTV with 2 screws.
- ⑦ Secure the 2 PTV Holders to the front of PTV with 2 screws for each.



For performing work,
use 2 or more workers.
Be sure to prepare a step.

2

ASSEMBLING THE CABINET



- Be sure to connect connectors securely. Incomplete connector connection can cause electric shock accident.
- Use care so as not to damage wirings. Damaged wiring can cause electric shock or short circuit accident.

- ① Take out the 2 screws from Cabinet DX, unlock and remove Front Lid U.

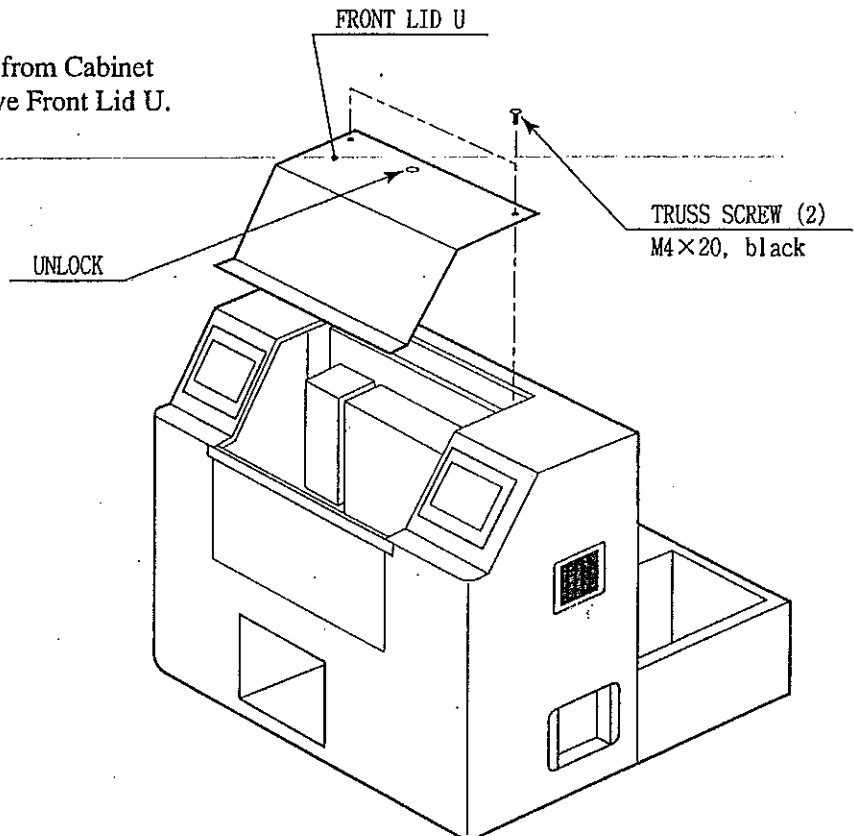


FIG. 6.2 a

- ② Take out the 2 screws from Cabinet DX and remove Front Lid L.

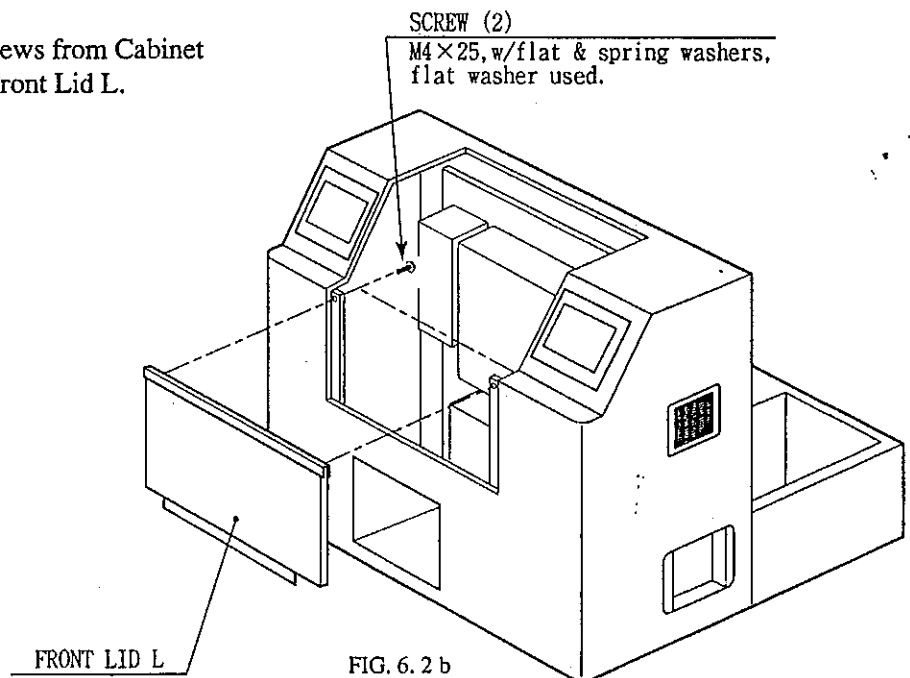
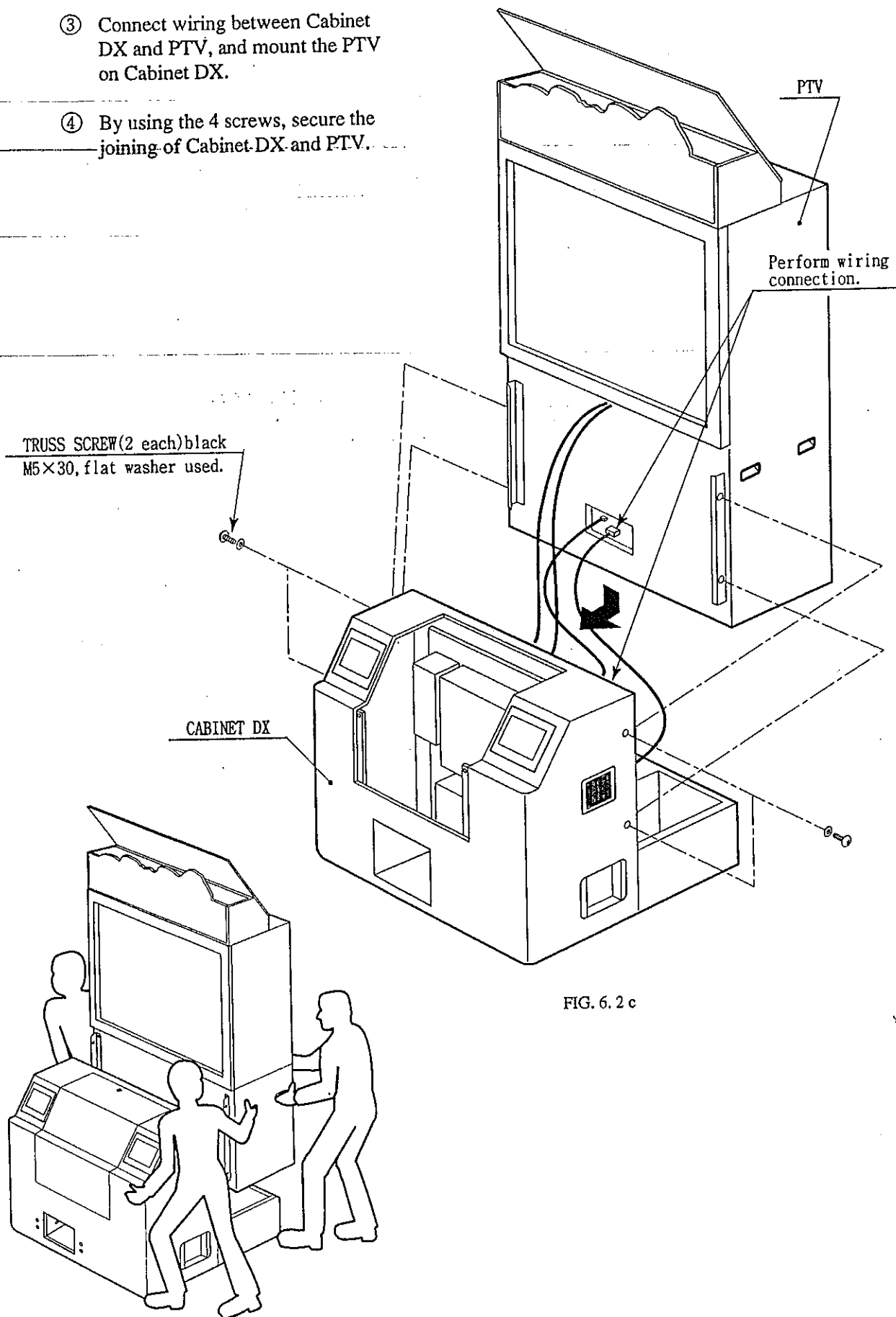


FIG. 6.2 b

③ Connect wiring between Cabinet DX and PTV, and mount the PTV on Cabinet DX.

④ By using the 4 screws, secure the joining of Cabinet DX and PTV.



When mounting the PTV on the CABINET DX,
be sure to perform the work by 3 or more persons.

- ⑤ Install Fence L & R to GUN HOLDER CABI by using 6 Hexagon Bolts for each and 2 screws for each.

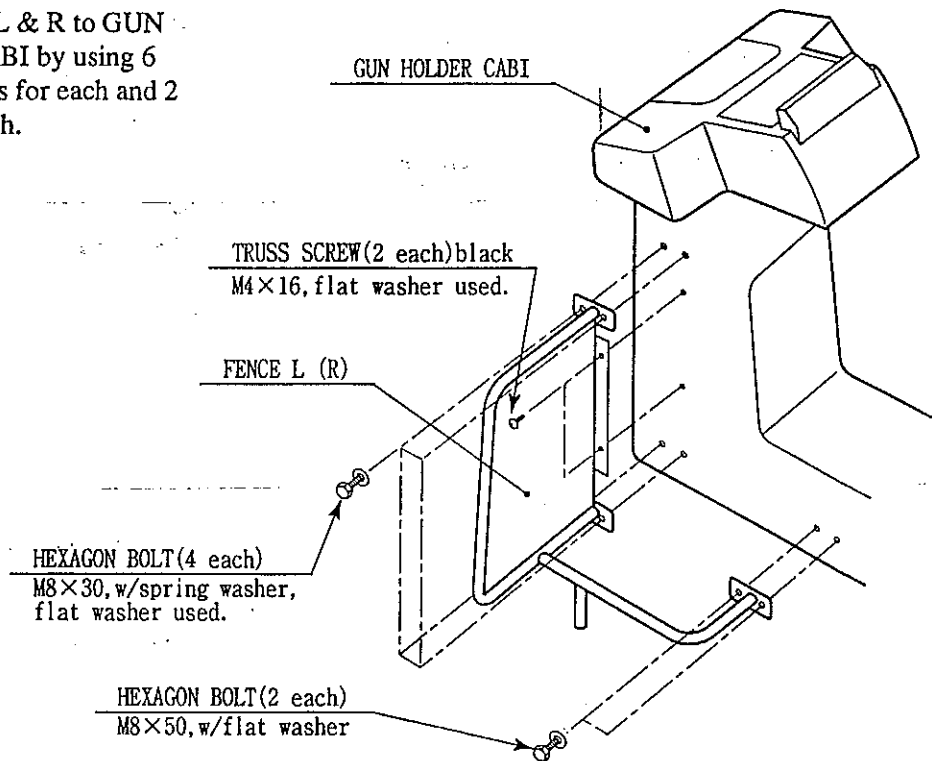


FIG. 6.2 d

- ⑥ Insert GUN HOLDER CABI into the square hole of Cabinet DX.
- ⑦ Install and secure two BRACKET L to the joint portion with 4 Hexagon Bolts for each.
- ⑧ Secure GUN HOLDER CABI from inside the Cabinet DX with a total of 4 Hexagon Bolts.

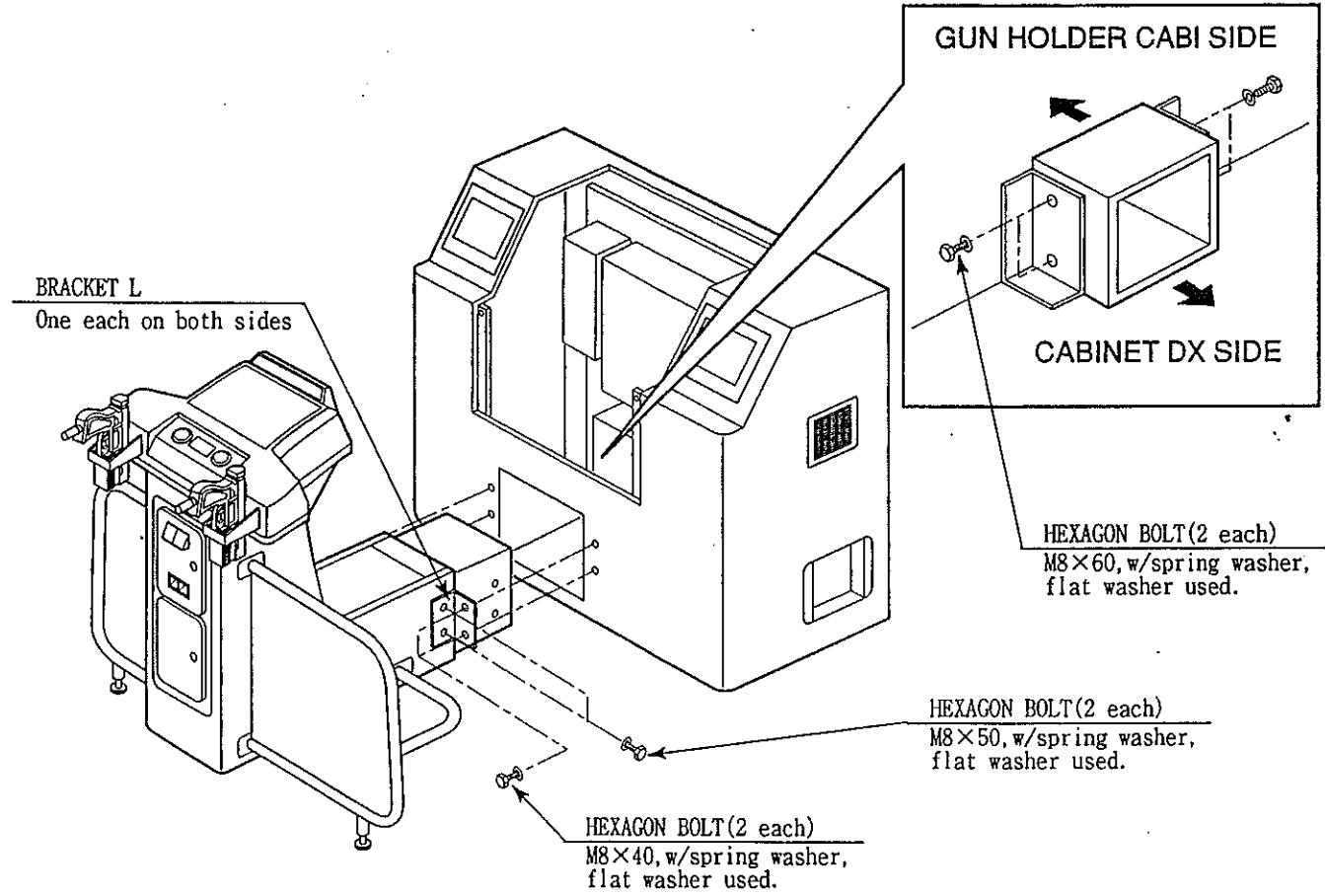


FIG. 6.2 e

- ⑨ Remove the 4 screws from Joint Part Lid.
- ⑩ Connect the wiring between Cabinet DX and GUN HOLDER CABI.

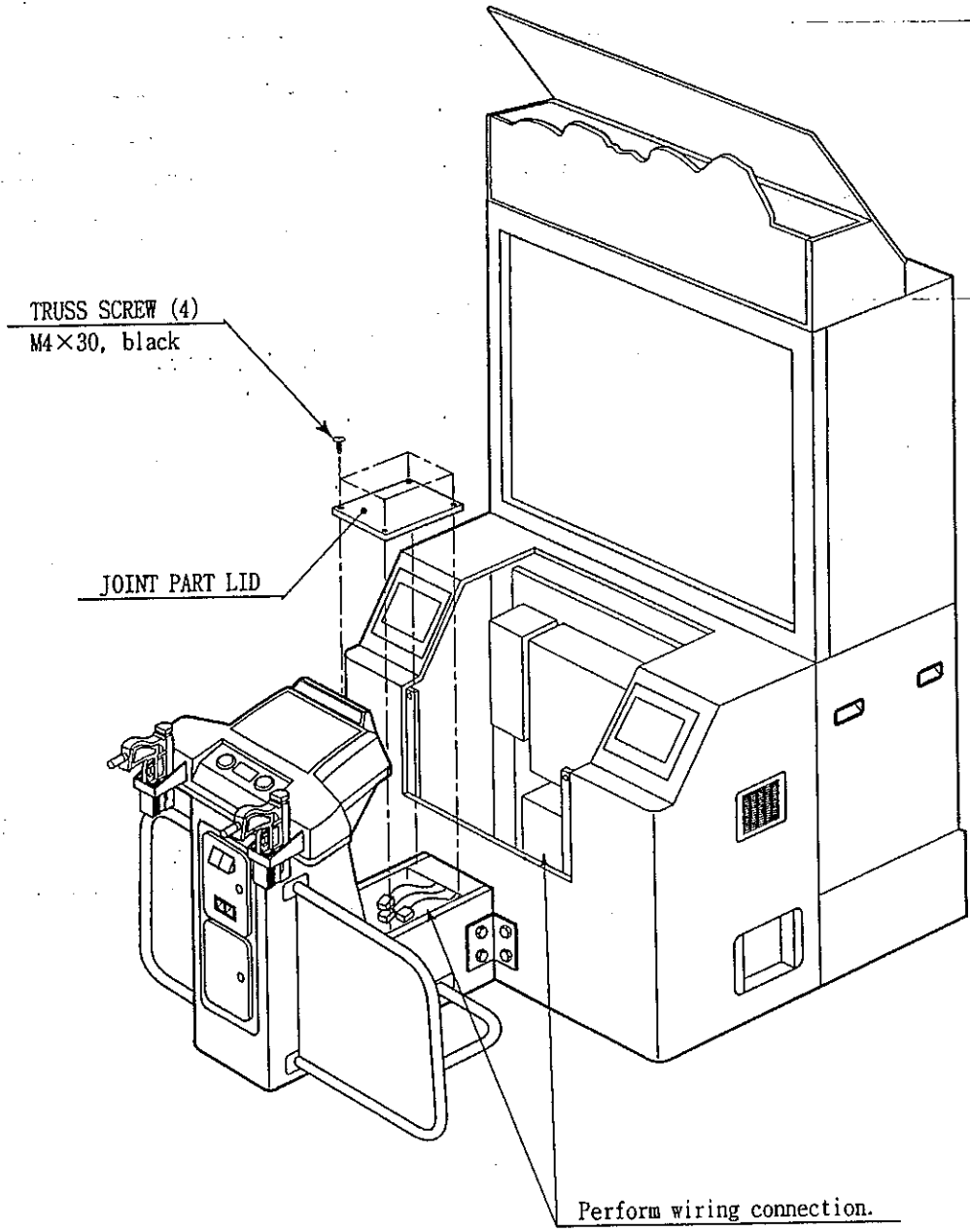


FIG. 6.2 f

3

SECURING IN PLACE (ADJUSTER ADJUSTMENT)



Make sure that all of the adjusters are in contact with the floor. If they are not, the cabinet can move and cause an accident.

This product has 6 casters (4 for Cabinet DX, 2 for GUN HOLDER CABI) and 8 Adjusters (4 for Cabinet DX, 4 for GUN HOLDER CABI). (FIG. 6. 3a) When the installation position is determined, cause the adjusters to come into contact with the floor directly, make adjustments in a manner so that the casters will be raised approximately 5mm. from the floor and make sure that the machine position is level.

- ① Transport the product to the installation position. When installing the product near the wall, be sure to secure the passage space to allow player to get in the machine.
- ② Have all of the Adjusters make contact with the floor. Adjust the Adjuster's height by using a wrench so that the machine position is kept level.
- ③ After making adjustment, fasten the Adjuster Nut upward and secure the height of Adjuster (FIG. 6. 3 b).

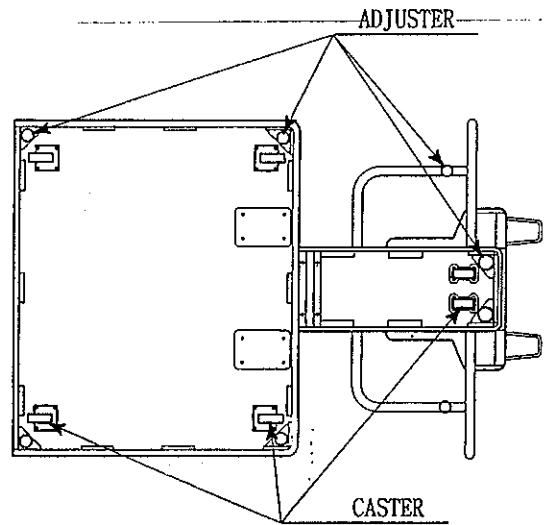


FIG. 6. 3 a BOTTOM VIEW

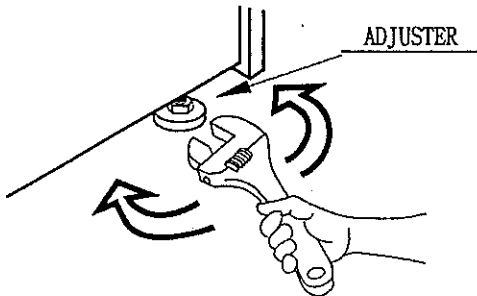


FIG. 6. 3 b ADJUSTER

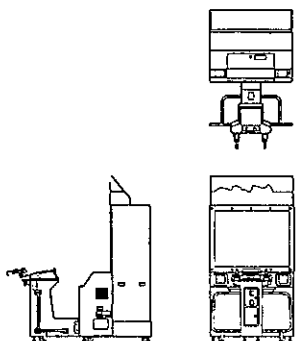
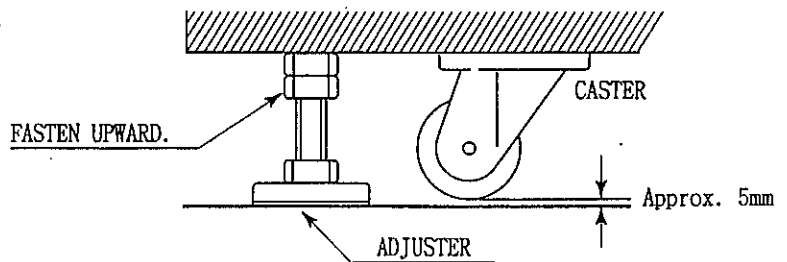


FIG. 6. 3 c
Refer to this Fig. (Scale:1/100)
for the layout of the place of
installation.

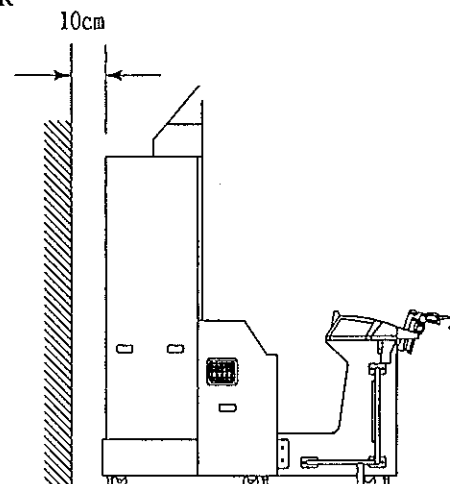


FIG. 6. 3 d
Provide ventilation space for the ventilation opening.

4

POWER SUPPLY, AND EARTH CONNECTION



WARNING!

- Be sure to independently use the power supply socket outlet equipped with an Earth Leakage Breaker. Using a power supply without an Earth Leakage Breaker can cause a fire when electric leakage occurs.
- Ensure that the "accurately grounded indoor earth terminal" and the earth wire cable are available (except in the case where a power cord plug with earth is used). This product is equipped with the earth terminal. Connect the earth terminal and the indoor earth terminal with the prepared cable. If the grounding work is not performed appropriately, customers can be subjected to an electric shock, and the product's functioning may not be stable.
- Ensure that the power cord and earth wire are not exposed on the surface (passage, etc.). If exposed, they can be caught and are susceptible to damage. If damaged, the cord and wire can cause electric shock and short circuit hazards. Ensure that the wiring position is not in the customer's passage way or the wiring has protective covering.

- ① The AC Unit is located on one side of Cabinet DX. The AC Unit has Main SW, Earth Terminal and the Inlet which connects the Power Cord.

- ② Ensure that the Main SW is OFF.

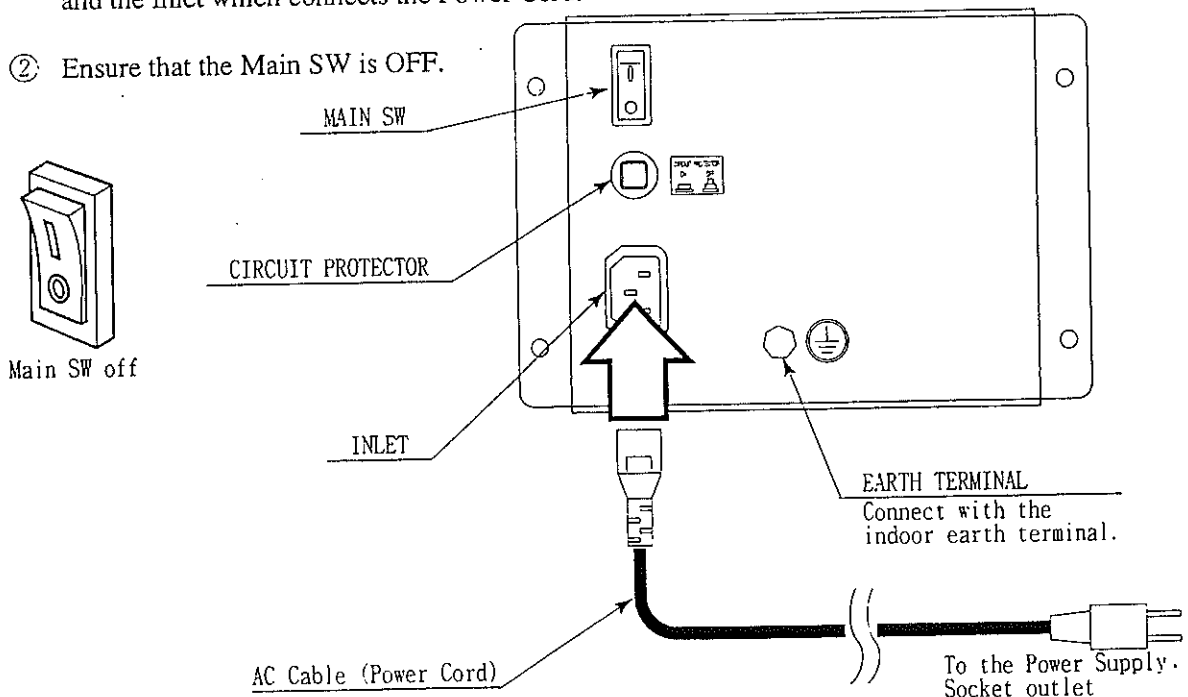


FIG. 6. 4 a AC unit

- ③ Connect one end of the earth wire to the AC Unit earth terminal, and the other end to the indoor earth terminal. The AC Unit earth terminal has a Bolt and Nut combination. Take off the Nut, pass the end of earth wire through the Bolt, and fasten the Nut. Note that the Earth Wire is incorporated in the Power Cord for the Areas of AC 120V (USA) and AC 220 ~ 240V, and therefore, this procedure is not necessary.

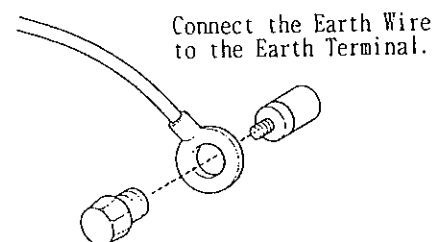


FIG. 6. 4 b Earth Wire Connection

- ④ Firmly insert the power plug into the socket outlet.
Insert the opposite side of Power Cord plug to the AC Unit's connector ("INLET").
- ⑤ Perform wiring for the Power Cord and Earth Wire. Install protective covering for the Power Cord and Earth Wire.

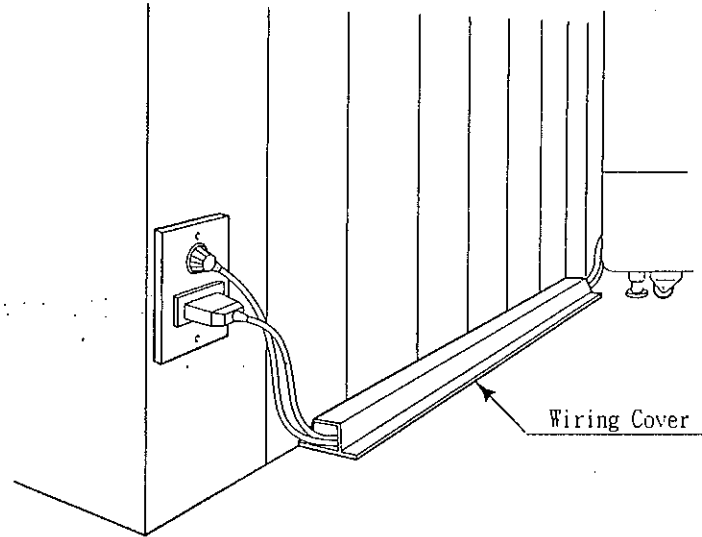
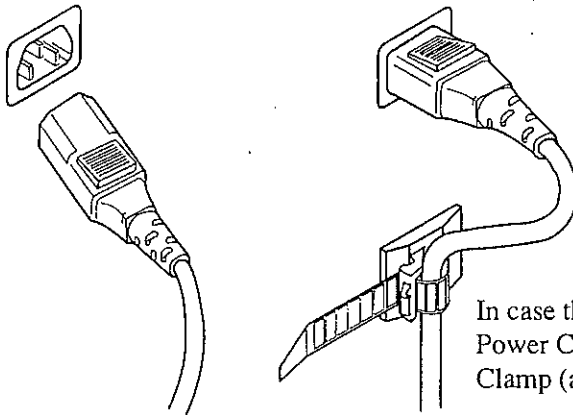


FIG. 6.4 c Connecting Power Cord and Earth Wire



In case the Power Plug is apt to come out of place, secure the Power Cord to the periphery of the AC Unit with the Cord Clamp (an accessory).

HOW TO USE THE CORD CLAMP

5 ASSEMBLING CHECK

In the TEST MODE, ensure that the assembly has been made correctly and IC BD. is satisfactory (refer to Section 9).

In the test mode, perform the following test:

(1) MEMORY TEST

```
MEMORY TEST MODE

RAM TEST

IC29 GOOD
IC34 GOOD
IC16 GOOD  IC18 GOOD
IC20 GOOD  IC22 GOOD
IC9  GOOD  IC10 GOOD
IC11 GOOD  IC12 GOOD

PRESS TEST BUTTON TO CONTINUE
```

Selecting the MEMORY TEST on the test mode menu screen causes the on-board memory to be tested automatically. The game board is satisfactory if the display beside each IC No. shows GOOD.

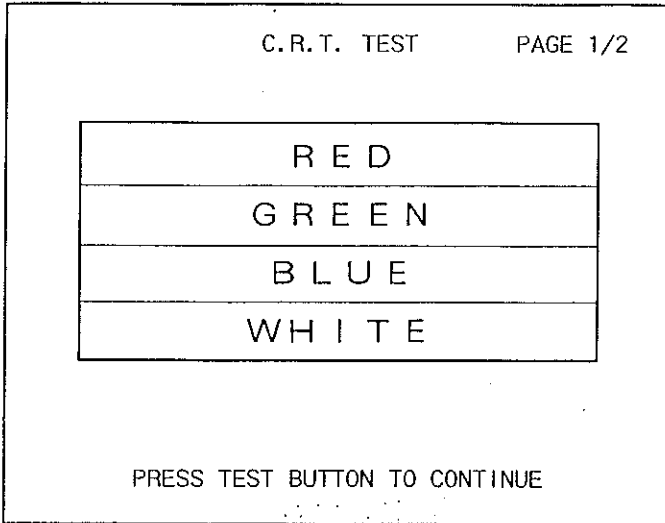
```
MEMORY TEST MODE

ROM TEST

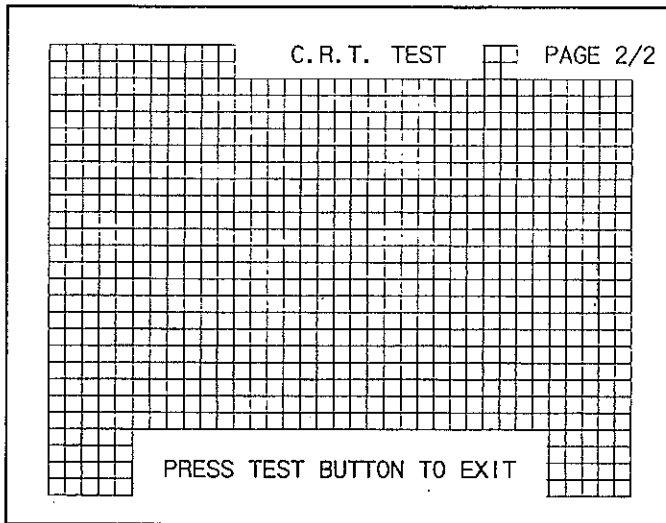
IC22(ROM0)  GOOD  IC1 (ROM1)  GOOD
IC2 (ROM2)  GOOD  IC3 (ROM3)  GOOD
IC4 (ROM4)  GOOD  IC5 (ROM5)  GOOD
IC6 (ROM6)  GOOD  IC7 (ROM7)  GOOD
IC8 (ROM8)  GOOD  IC9 (ROM9)  GOOD
IC10(ROM10) GOOD  IC11 (ROM11) GOOD
IC12(ROM12) GOOD  IC13 (ROM13) GOOD
IC14(ROM14) GOOD  IC15 (ROM15) GOOD
IC16(ROM16) GOOD  IC17 (ROM17) GOOD
IC18(ROM18) GOOD  IC19 (ROM19) GOOD
IC20(ROM20) GOOD

PRESS TEST BUTTON TO EXIT
```

(2) C.R.T. TEST



In the TEST mode menu, selecting C.R.T. TEST allows the screen (on which the projector is tested) to be displayed. Although the projector adjustments have been made at the time of shipment from the factory, make judgment as to whether an adjustment is needed by watching the test mode screen. If it is necessary, adjust the projector by referring to Section 12.



(3) INPUT TEST

INPUT TEST		
	PLAYER1	PLAYER2
START	OFF	OFF
TRIGGER	OFF	OFF
GUN-X	00	00
GUN-Y	00	00
SCREEN-IN	OUT	OUT

PRESS TEST BUTTON TO EXIT

Selecting the INPUT TEST on the test mode menu screen causes the screen (on which each switch is tested) to be displayed. Press each switch. If the display beside each switch indicates "ON," the switch and wiring connections are satisfactory.

(4) OUTPUT TEST

OUTPUT TEST		
START1 LAMP		OFF
START2 LAMP		OFF

→ EXIT

SELECT WITH SERVICE BUTTON
AND PRESS TEST BUTTON

The OUTPUT Test menu screen in the TEST mode allows Lamps and wiring connections to be checked. Check if each lamp lights up satisfactorily.

(5) SOUND TEST

SOUND TEST	
NO.	0

SELECT WITH SERVICE BUTTON
PRESS TEST BUTTON TO EXIT

On the Menu screen in the TEST mode, selecting SOUND TEST causes the screen (on which sound related BD and wiring connections are tested) to be displayed. Be sure to check if the sound is satisfactorily emitted from each speaker and the sound volume is appropriate.

Perform the above inspections also at the time of monthly inspections.

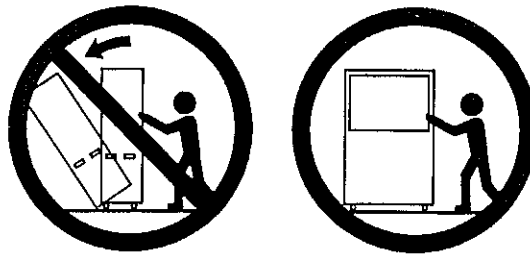
7. PRECAUTIONS TO BE HEEDED WHEN MOVING THE MACHINE



- When moving the machine, be sure to unplug the power plug. Moving the machine with the plug as is inserted can damage the power cord and cause fire and electric shock hazards.
- When moving the machine on the floor, retract the Adjusters and ensure that Casters make contact with the floor. During transportation, pay careful attention so that Casters do not tread power cords and earth wires. Damaging the power cords can cause electric shock and short circuit hazards.
- When lifting the cabinet, be sure to hold the grip portions or bottom part. Lifting the cabinet by holding other portions can damage parts and installation portions due to the empty weight of the cabinet, and cause personal injury.
- When moving the PTV, do not push it from the back. Push it from the side. Pushing the PTV from the back can have the PTV fall down, causing personal injury etc. In case the floor is slanted, or has steps, use 2 or more persons for safety.

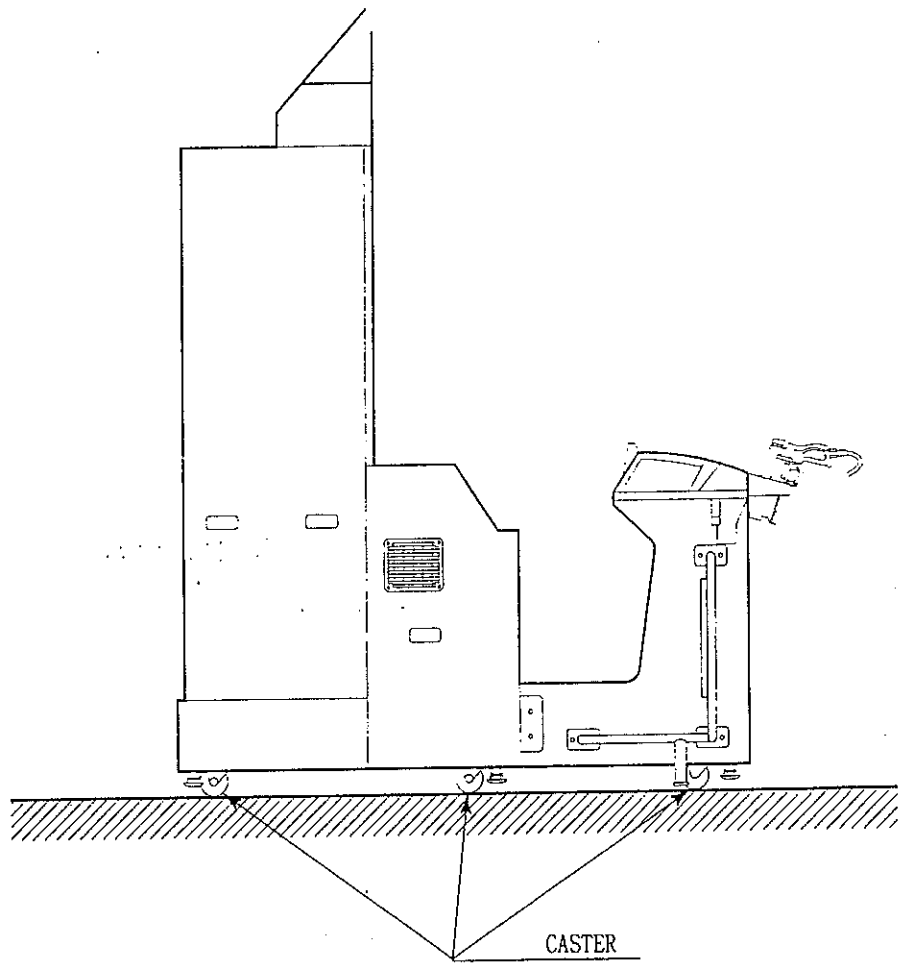


When moving the machine on slanted surfaces or places with a step or step-like difference in grade, be sure to separate Cabinet DX and GUN HOLDER CABI. Lifting the Cabinet with these items as is joined can cause the joint portions to be damaged.

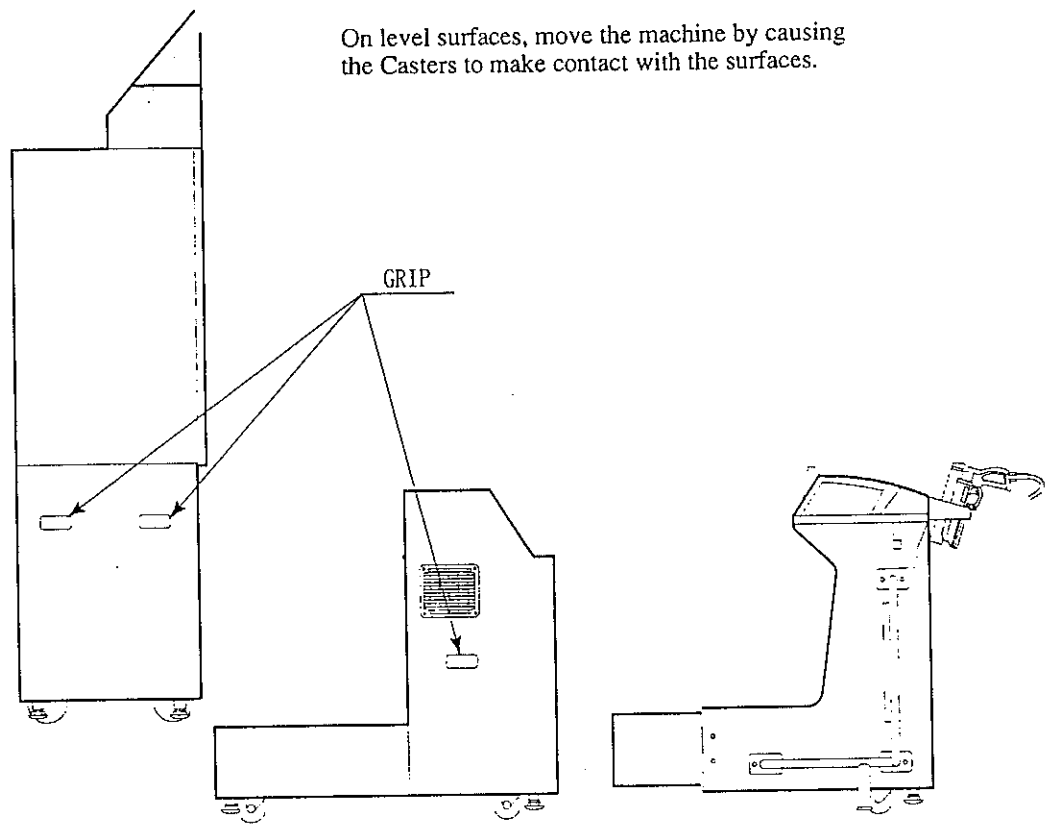


Do not push PTV from the back. Pushing the PTV from the back can cause the PTV to fall down. Push it from the side.

FIG. 7 a



On level surfaces, move the machine by causing the Casters to make contact with the surfaces.



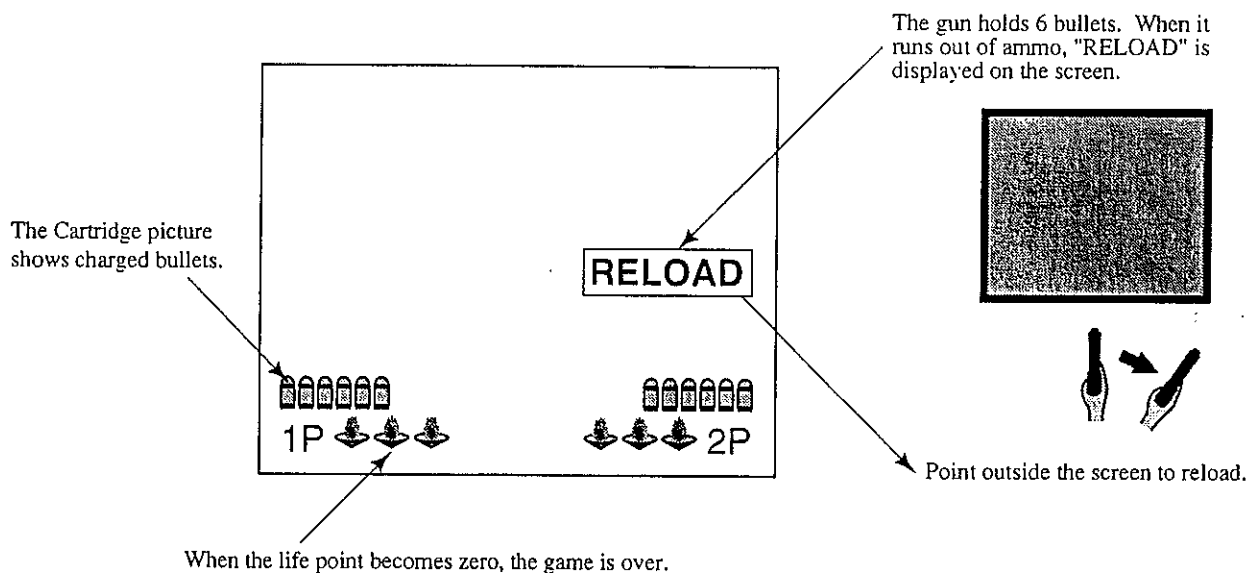
Where there are steps (or step-like differences in grade), move the machine by separating into each unit.

FIG. 7 b

8. CONTENTS OF GAME

The following explanations apply to the case the product is functioning satisfactorily. Should there be any moves different from the following contents, some sort of faults may have occurred. Immediately look into the cause of the fault and eliminate the cause thereof to ensure satisfactory operation.

- ① Inserting a coin(s) causes the credit display on the bottom of the screen to count. Inserting one credit worth coin(s) changes the message on the bottom of the screen from "INSERT COIN(S)" to "PRESS START BUTTON" and both of the start buttons will flash.
- ② Pressing either of the start buttons determines which side (left or right) you are playing on. Press the START button to start the game.
- ③ GAME DEMO follows game start. Next, Stage Title is displayed.



- The life points and the number of bullets of the left-hand side player (1P) are displayed on the lower left-hand side of the screen, and those of the right-hand side player (2P), on the lower right-hand side of the screen.
- Shooting townspeople by mistake loses one life.
- The gun holds 6 bullets. When it runs out of ammo, "RELOAD" is displayed on the screen. Point outside the screen to reload.
- The enemy's axes, knives, drum cans, barrels, etc. can be shot down for your defense.
- Shooting the background scenery can cause Special Items to appear sometimes. The Special Items can be captured by shooting. Capturing an item allows you to earn points or recovers life points (explanations as regards the Items are given later).
- When the life point becomes zero, the game is over.

BEFORE USING THE PRODUCT, BE SURE TO READ THE FOLLOWING:

To maintain the safety:

To ensure the safe usage of the product, be sure to read the following before using the product. The following instructions are intended for the users, operators and the personnel in charge of the operation of the product. After carefully reading and sufficiently understanding the warning displays and cautions, handle the product appropriately. Be sure to keep this manual nearby the product or elsewhere convenient for referring to it when necessary.

Herein, explanations which require special attention are enclosed with dual lines. Depending on the potentially hazardous degrees, the terms of DANGER!, WARNING!, CAUTION!, etc. are used. Be sure to understand the contents of the displays before reading the text.



Indicates that mishandling the product by disregarding this pictograph will cause severe injury or death.



Indicates that mishandling the product by disregarding this caution will cause a slight hazardous situation which can result in personal injury and or material damage.



Indicates that mishandling the product by disregarding this warning will cause a potentially hazardous situation which can result in death or serious injury.



Indicates that mishandling the product by disregarding this display can cause the product's intrinsic performance not to be obtained, resulting in malfunctioning.

For the safe usage of the product, the following pictographs are used:



Indicates "HANDLE WITH CARE." In order to protect the human body and equipment, this display is attached to places where the Owner's Manual and or Service Manual should be referred to.



Indicates a "Protective Earth Terminal." Before operating the equipment, be sure to connect it to the Ground.

- **Perform work in accordance with the instructions herein stated.**
Instructions for work are explained by paying attention to the aspect of accident prevention. Failing to perform work as per the instructions can cause accidents. In the case where only those who have technical expertise should perform the work to avoid hazardous situation, the instructions herein state that the serviceman should perform such work.
- **Be sure to turn off power before working on the machine.**
To prevent electric shock, be sure to turn off power before starting the work in which the worker touches the interior of the product. If the work is to be performed in the power-on status, the Instruction Manual herein always states to that effect.
- **Be sure to ground the Earth Terminal** (this, however, is not required in the case where a power cord with earth is used).
This product is equipped with the Earth Terminal. When installing the product, Connect the Earth Terminal to the "accurately grounded indoor earth terminal" by using an earth wire. Unless the product is grounded appropriately, the user can be subject to electric shock. After performing repair, etc. for the Control equipment, ensure that the Earth Wire is firmly connected to the Control equipment.
- **Ensure that the Power Supply used is equipped with an Earth Leakage Breaker.**
This product does not incorporate the Earth Leakage Breaker. Using a power supply which is not equipped with the Earth Leakage Breaker can cause a fire when earth leakage occurs.
- **Be sure to use fuses which meet the specified rating.** (only for the machines which use fuses).
Using fuses exceeding the specified rating can cause a fire and electric shock.

- **Specification changes (removal of equipment, conversion and addition) not designated by SEGA are not allowed.**

The parts of the product include warning labels for safety, covers for personal protection, etc. It is very hazardous to operate the product by removing parts and or modifying the circuits. Should doors, lids and protective parts be damaged or lost, refrain from operating the product, and contact where the product was purchased from or the office herein stated.

- **Ensure that the product meets the requirements of appropriate Electrical Specifications.**

Before installing the product, check for Electrical Specifications. SEGA products have a nameplate on which Electrical Specifications are described. Ensure that the product is compatible with the power supply voltage and frequency requirements of the location. Using any Electrical Specifications different from the designated Specifications can cause a fire and electric shock.

- **Install and operate the product in places where appropriate lighting is available; allowing warning labels to be clearly read.**

To ensure safety for the customers, labels and printed instructions describing potentially hazardous situation are applied to places where accidents can be caused. Ensure that where the product is operated has sufficient lighting allowing the warnings to be read. If any label is peeled off, apply it again immediately. Please place an order with where the product was purchased from or the office herein stated.

- **When handling the Monitor, be very careful. (Applies only to the product w/ monitor).**

Some of the monitor (TV) parts are subject to high tension voltage. Even after turning off power, some portions are still subject to high tension voltage sometimes. Monitor repair and replacement should be performed only by those technical personnel who have knowledge of electricity and technical expertise.

- **When transporting or reselling this product, be sure to attach this manual to the product.**

In the case where commercially available monitors and printers are used in this product, only the contents relating to this product are explained herein. Some commercially available equipment has functions and reactions not stated in this manual. Read this manual together with the specific Instruction Manual of such equipment.

- Descriptions herein contained may be subject to improvement changes without notice.
- The contents described herein are fully prepared with due care. However, should any question arise or errors be found, please contact SEGA.

INSPECTIONS IMMEDIATELY AFTER TRANSPORTING THE PRODUCT TO THE LOCATION.

Normally, at the time of shipment, SEGA products are in a status allowing for usage immediately after transporting to the location. Nevertheless, an irregular situation may occur during transportation. Before turning on power, check the following points to ensure that the product has been transported in a satisfactory status.

- Are there any dented portions or defects (cuts, etc.) on the external surfaces of the cabinet?
- Are Casters and Adjusters, damaged?
- Do the power supply voltage and frequency requirements meet with those of the location?
- Are all wiring connectors correctly and securely connected? Unless connected in the correct direction, connector connections can not be made accurately. Do not insert connectors forcibly.
- Do power cords have cuts and dents?
- Do the fuses used meet specified rating? Is the Circuit Protector in an energized status?
- Are all accessories available?
- Can all Doors and Lids be opened with the Accessory keys? Can Doors and Lids be firmly closed?

OPTIONAL DOLLAR BILL ACCEPTOR

● THE COIN DOOR ASSEMBLY USED ON HOUSE OF THE DEAD 2 DLX COMES EQUIPPED TO ACCEPT A DOLLAR BILL ACCEPTOR. ALL NEEDED WIRING CONNECTIONS ARE CONVENIENTLY LOCATED INSIDE THE GAME FOR THIS APPLICATION.

● THE COIN DOOR CAN ACCCOMMODATE THE FOLLOWING VALIDATORS:

HOLE POSITION#1 (FORWARD-MOST POSITION)	MARS 2000 SERIES
HOLE POSITION#2	MARS 2000 SERIES DBV45 (JCM)
HOLE POSITION #3	CURRENTLY NOT USED
HOLE POSITION #4	DSI01*

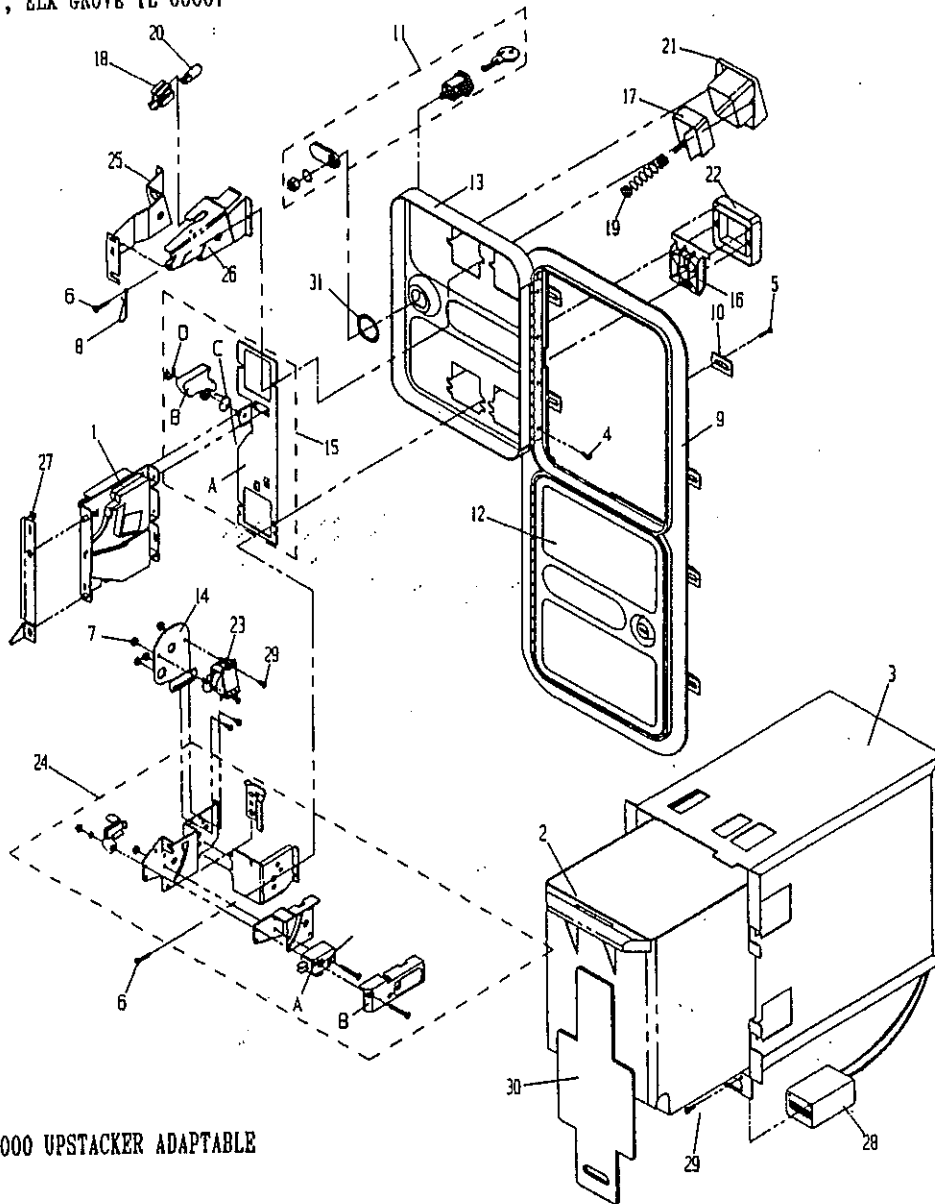
*The back flange on the chute can be removed for hole position #4. If the flange is not removed, it may interfere with the back of the cabinet.

The frame and cashbox enclosure on this coindoor has been modified to accomodate a Mars 2000 series upstacker. A 2000 series stacker can be added by simply removing the top two entry door and replacing it with a one entry door with a cut-out for a stacker. This one entry door can be ordered through Coin Controls or one of Coin Controls authorized distributors. The Part # is 91-4000-01. The Mars stacker can be obtained through an authorized Mars distributor.

COIN CONTROLS INTERNATIONAL

1850 HOWARD ST., ELK GROVE IL 60007
(847) 228-1810

OVER/UNDER TWO ENTRY COIN DOOR*



* WARS SERIES 2000 UPSTACKER ADAPTABLE

PART #	DESCRIPTION	COST	PART #	DESCRIPTION	COST	PART #	DESCRIPTION	COST
1)	12-4050-1X S-10 ACCEPTOR	19.50	16)	91-1109-16 REJECT FLAP NYLON, BLACK	2.70	28)	23-1011-00 12V DC METER	8.50
	12-4150-011 S-7 US #.25	12.00	17)	91-1113-01 ENTRY/REJECT BUTTON 25c	4.45		23-1103-00 4.5V DC METER	8.50
2)	20-4177-00 PLASTIC CASHBOX	7.40	18)	91-1117-00 LAMPHOLDER	1.40	29)	90-1032-01 METER & LOCKOUT SCREW	.25
3)	20-4189-00 ENCLOSURE, 22000	27.50	19)	91-1121-00 E/R BUTTON SPRING	.80	30)	22-1400-00 LOCKING BAR	7.00
4)	90-1002-00 HINGE SCREW	.25	20)	91-1118-00 6V LAMP YEGGE BASE	.95	31)	90-1019-00 3/4" LOCKWASHER	.25
5)	90-1003-00 CLAMP SCREW	.95	21)	91-1311-16 BUTTON BEZEL BLACK	2.70			
6)	90-1017-00 SCREW BEZEL NYLON	.25	22)	91-1312-16 REJECT BEZEL BLACK	2.70			
7)	90-1206-02 #4-40 KEP NUT	.25	23)	91-2125-00 12V LOCKOUT COIL ASSEMBLY	12.85			
8)	90-1300-00 KEYHOOK	.35	24)	91-2216-16 MICROSWITCH ASSEMBLY	15.00			
9)	91-0508-16 FRAME	30.00	24A)	91-1116-16 MICROSWITCH BLACK	5.40			
10)	91-0506-00 CLAMP	.45		91-1116-11 MICROSWITCH WHITE	5.40			
11)	91-0547-00 DOUBLE D CAM LOCK	5.25		91-1116-10 MICROSWITCH RED	5.40			
12)	91-0603-16 BLACK MINI DOOR	8.40	24B)	91-1125-00 MICROSWITCH PLASTIC COVER	.85			
13)	91-0604-16 2 ENTRY UPPER DOOR	10.00	25)	92-1002-01 COIN INLET LAMP SIDE	1.80			
14)	91-1008-039 LOCKOUT BRACKET	4.30	26)	92-1002-021 COIN INLET COVER SIDE	1.80			
15)	91-1008-107 BASEPLATE ASSEMBLY	5.00	27)	92-1002-10 HOLD BOTH BRACKET	1.50			

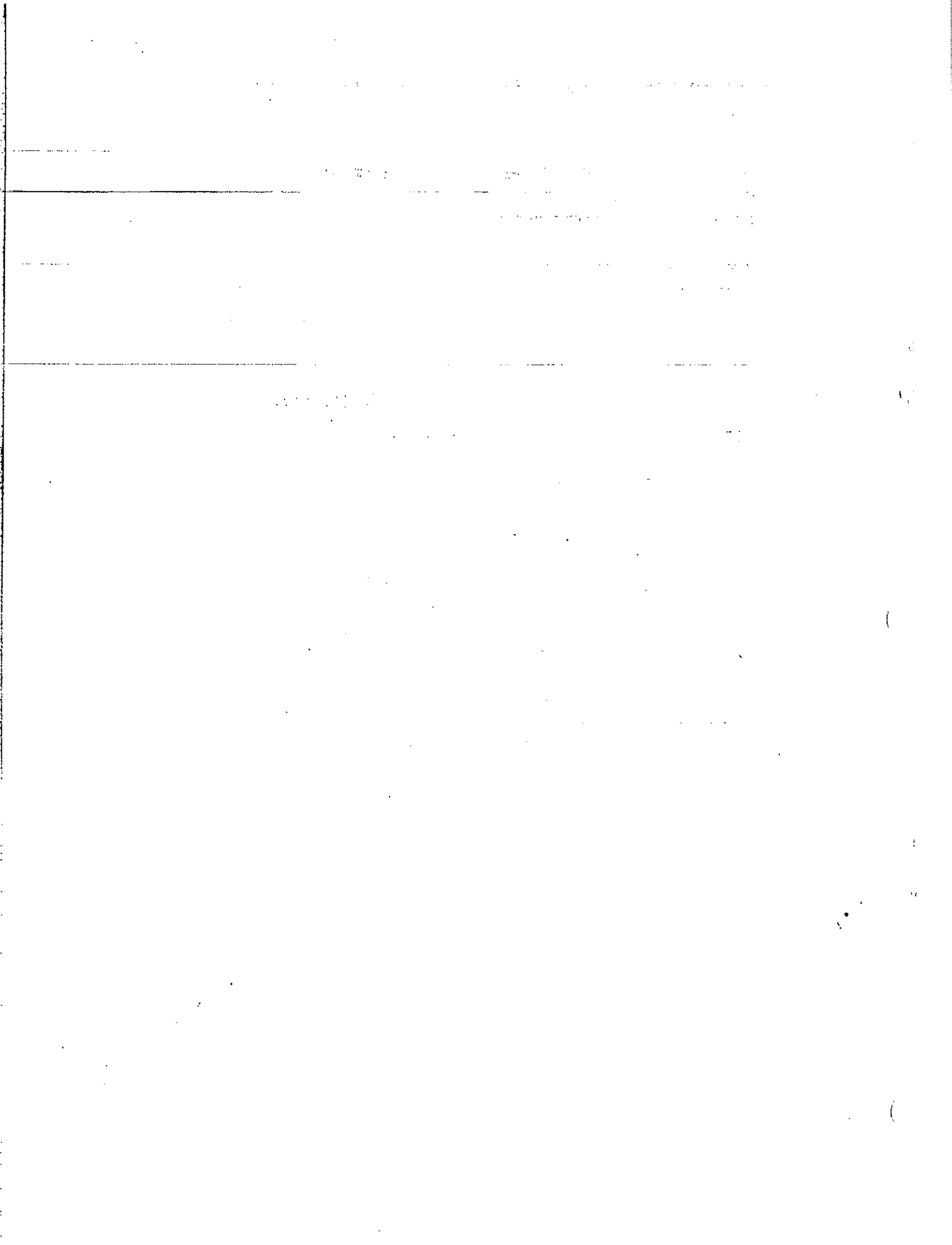
TABLE OF CONTENTS

BEFORE USING THE PRODUCT, BE SURE TO READ THE FOLLOWING:

TABLE OF CONTENTS

INTRODUCTION OF THE OWNER'S MANUAL

1. HANDLING PRECAUTIONS	1 ~ 2
2. PRECAUTIONS CONCERNING INSTALLATION LOCATION	3 ~ 4
3. OPERATION	5 ~ 6
4. NAME OF PARTS	7
5. ACCESSORIES	8 ~ 10
6. ASSEMBLING AND INSTALLATION	11 ~ 23
7. PRECAUTIONS TO BE HEEDED WHEN MOVING THE MACHINE	24 ~ 25
8. CONTENTS OF GAME	26 ~ 28
9. EXPLANATION OF TEST AND DATA DISPLAY	29 ~ 47
9-1 SWITCH UNIT AND COIN METER	30
9-2 NAOMI TEST MODE	31 ~ 40
9-3 GAME TEST MODE	41 ~ 47
10. CONTROLLER	48 ~ 49
11. COIN SELECTOR	50
12. PROJECTOR	51 ~ 64
12-1 CLEANING THE SCREEN	51
12-2 ADJUSTMENT OF TOSHIBA PROJECTOR	52 ~ 61
12-3 ADJUSTMENT OF MITSUBISHI PROJECTOR	62 ~ 64
13. REPLACING THE FLUORESCENT LAMP, AND LAMPS	65 ~ 66
13-1 FLUORESCENT LAMP REPLACEMENT	65 ~ 66
13-2 LAMP REPLACEMENT	66
14. PERIODIC INSPECTION TABLE	67
15. TROUBLESHOOTING	68 ~ 71
16. GAME BOARD	72 ~ 73
16-1 TAKING OUT THE GAME BOARD	72
16-2 COMPOSITION OF GAME BOARD	73
17. DESIGN RELATED PARTS	74
18. PARTS LIST	75 ~ 101
19. WIRE COLOR CODE TABLE	103
20. WIRING DIAGRAM	104 ~ 105



SPECIFICATIONS

Installation space	:	1,140 mm (W) × 1,646 mm (D) (44.9 in. × 64.8 in.)
Height	:	2,254 mm (88.7 in.)
Weight	:	242 kg. (533.5 lbs.)
Power, maximum current	:	340 W 3.99 A (AC 110V 50 Hz AREA)
		330 W 3.86 A (AC 110V 60 Hz AREA)
		332 W 3.57 A (AC 120V 60 Hz AREA)
		344 W 2.04 A (AC 220V 50 Hz AREA)
		334 W 1.98 A (AC 220V 60 Hz AREA)
		341 W 1.94 A (AC 230V 50 Hz AREA)
		333 W 1.89 A (AC 230V 60 Hz AREA)
		347 W 1.88 A (AC 240V 50 Hz AREA)
		332 W 1.80 A (AC 240V 60 Hz AREA)
For TAIWAN (TOSHIBA PROJECTION DISPLAY TYPE)		
Power, current	:	305 W 3.63 A (MAX.)
		260 W 3.15 A (MIN.)
For TAIWAN (MITSUBISHI PROJECTION DISPLAY TYPE)		
Power, current	:	330 W 3.95 A (MAX.)
		245 W 3.05 A (MIN.)
MONITOR	:	50 INCH PROJECTION DISPLAY

INTRODUCTION OF THE OWNER'S MANUAL

This Owner's Manual is intended to provide detailed descriptions together with all the necessary information covering the general operation of electronic assemblies, electromechanicals, servicing control, spare parts, etc. as regards the product, **THE HOUSE OF THE DEAD 2 DX TYPE.**

This manual is intended for the owners, personnel and managers in charge of operation of the product. Operate the product after carefully reading and sufficiently understanding the instructions. If the product fails to function satisfactorily, non-technical personnel should under no circumstances touch the internal system. Please contact where the product was purchased from.

SEGA ENTERPRISES, INC. (U.S.A.)/CUSTOMER SERVICE
45133 Industrial Drive, Fremont, California 94538, U.S.A.
Phone : (415) 802-3100
Fax : (415) 802-1754

DEFINITION OF LOCATION MAINTENANCE MAN AND SERVICEMAN



Non-technical personnel who do not have technical knowledge and expertise should refrain from performing such work that this manual requires the location's maintenance man or a serviceman to carry out, or work which is not explained in this manual. Failing to comply with this instruction can cause a severe accident such as electric shock.

Ensure that parts replacement, servicing & inspections, and troubleshooting are performed by the location's maintenance man or the serviceman. It is instructed herein that particularly hazardous work should be performed by the serviceman who has technical expertise and knowledge.

The location's maintenance man and serviceman are herein defined as follows:

"Location's Maintenance Man" :

Those who have experience in the maintenance of amusement equipment and vending machines, etc., and also participate in the servicing and control of the equipment through such routine work as equipment assembly and installation, servicing and inspections, replacement of units and consumables, etc. within the Amusement Facilities and or locations under the management of the Owner and Owner's Operators of the product.

Activities of Location's Maintenance Man :

Assembly & installation, servicing & inspections, and replacement of units & consumables as regards amusement equipment, vending machines, etc.

Serviceman :

Those who participate in the designing, manufacturing, inspections and maintenance service of the equipment at an amusement equipment manufacturer.

Those who have technical expertise equivalent to that of technical high school graduates as regards electricity, electronics and or mechanical engineering, and daily take part in the servicing & control and repair of amusement equipment.

Serviceman's Activities :

Assembly & installation and repair & adjustments of electrical, electronic and mechanical parts of amusement equipment and vending machines.

1. HANDLING PRECAUTIONS

When installing or inspecting the machine, be very careful of the following points and pay attention to ensure that the player can enjoy the game safely.

Non-compliance with the following points or inappropriate handling running counter to the cautionary matters herein stated can cause personal injury or damage to the machine.



WARNING!

- Before performing work, be sure to turn power off. Performing the work without turning power off can cause an electric shock or short circuit. In the case work should be performed in the status of power on, this manual always states to that effect.
- To avoid electric shock or short circuit, do not plug in or unplug quickly.
- To avoid electric shock, do not plug in or unplug with a wet hand.
- Do not expose Power Cords and Earth Wires on the surface, (floor, passage, etc.). If exposed, the Power Cords and Earth Wires are susceptible to damage. Damaged cords and wires can cause electric shock or short circuit.
- To avoid causing a fire or electric shock, do not put things on or damage Power Cords.
- When or after installing the product, do not unnecessarily pull the power cord. If damaged, the power cord can cause a fire or electric shock.
- In case the power cord is damaged, ask for replacement through where the product was purchased from or the office herein stated. Using the cord as is damaged can cause fire, electric shock or leakage.
- Be sure to perform grounding appropriately. Inappropriate grounding can cause an electric shock.
- Be sure to use fuses meeting specified rating. Using fuses exceeding the specified rating can cause a fire or electric shock.
- Completely make connector connections for IC BD and others. Insufficient insertion can cause an electric shock.
- To avoid causing a fire or electric shock, do not make Specification changes by removing, converting and making additions unless otherwise designated by SEGA.
- Be sure to perform periodic maintenance inspections herein stated.



IMPORTANT!

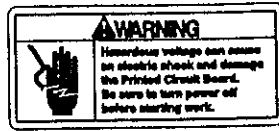
- For the IC board circuit inspections, only the logic tester is allowed. The use of a multiple-purpose tester is not permitted, so be careful in this regard.
- The Projector is employed for this machine. The Projector's screen is susceptible to damage, therefore, be very careful when cleaning the screen. For details, refer to PROJECTOR.

CONCERNIN

SEGA product ha
manufacture No. 0
Specifications. A
where to contact f
When inquiring at
the Serial No. and
Sticker. The Seria
register. Identical
parts depending o
improvements and
made after the put
to meet the above
when contacting t

CONCERNIN

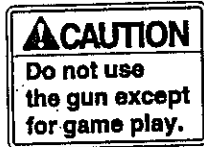
SEGA product ha
Labels and or prin
to or incorporated
hazardous situatio
are intended for ad
customers and for
relating to mainte
are some portions
to high tension vo
caused merely by
servicing work , b
displays. Especial
replacement work
performed by thos
knowledge of elec
For the preventio
customer whose a
to the effect that h



440-WS0033XEG



440-WS0002XEG



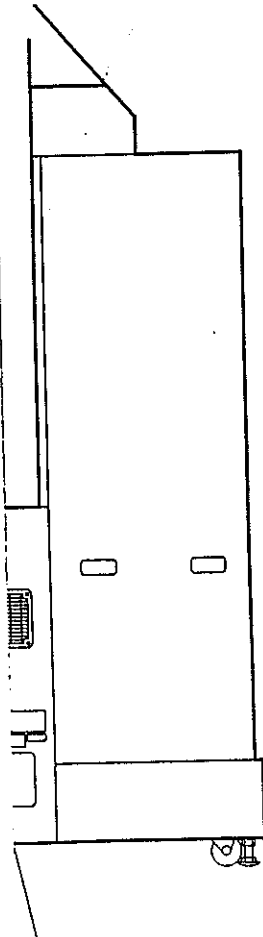
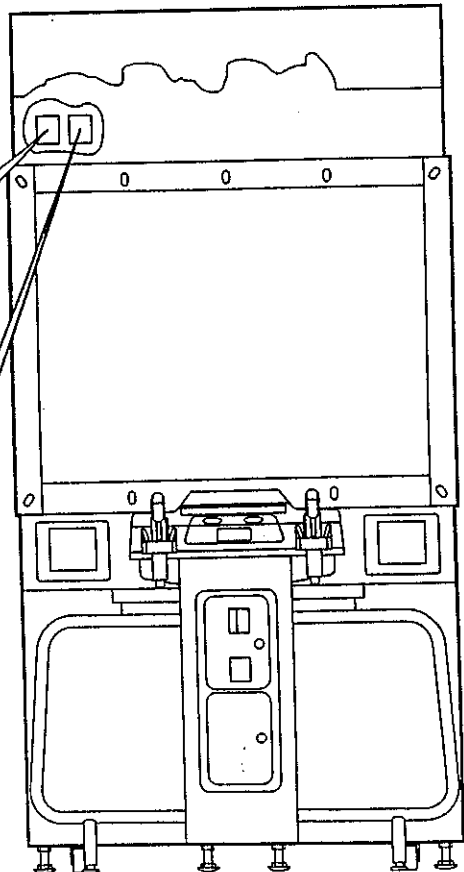
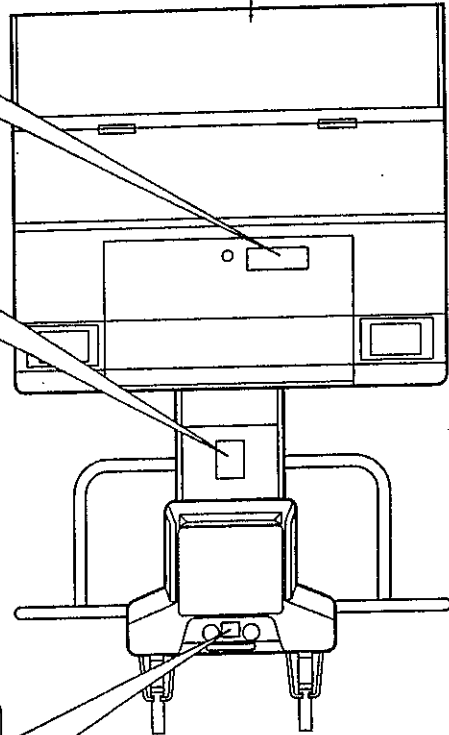
440-CS0110-EG



440-WS0002XEG



440-WS0012XEG



2. PRECAUTIONS CONCERNING INSTALLATION LOCATION



WARNING!

This product is to be used indoors. Do not install it outside. Even indoors, avoid installing in places mentioned below so as not to cause a fire, electric shock, injury and or malfunctioning.

- Places subject to rain or water leakage, or places subject to high humidity in the proximity of an indoor swimming pool and or shower, etc.
- Places subject to direct sunlight, or places subject to high temperatures in the proximity of heating units, etc.
- Places filled with inflammable gas or vicinity of highly inflammable/volatile chemicals or hazardous matter.
- Dusty places.
- Sloped surfaces.
- Places subject to any type of violent impact.
- Vicinity of anti-disaster facilities such as fire exits and fire extinguishers.
- The operating (ambient) temperature range is from 5°C to 40°C. Only in the case a projector is employed, the temperature range is from 5°C to 30°C.

LIMITATIONS OF USAGE REQUIREMENTS



WARNING!

- Be sure to check the Electrical Specifications. Ensure that this product is compatible with the location's power supply, voltage and frequency requirements. A plate describing Electrical Specifications is attached to the product. Non-compliance with the Electric Specifications can cause a fire and electric shock.
- This product requires the Breaker and Earth Mechanisms as part of the location facilities. Using them in a manner not independent can cause a fire and electric shock.
- Ensure that the indoor wiring for the power supply is rated at 7 A or higher (AC single phase 100~120V), and 7 A or higher (AC 220~240V). Non-compliance with the Electrical Specifications can cause a fire and electric shock.
- Be sure to independently use the power supply equipped with the Earth Leakage Breaker. Using a power supply without the Earth Leakage Breaker can cause an outbreak of fire when earth leakage occurs.
- Putting many loads on one electrical outlet can cause generation of heat and a fire resulting from overload.
- When using an extension cord, ensure that the cord is rated at 7 A or higher (AC 100~120V area) and 7 A or higher (AC 220~240V area). Using a cord rated lower than the specified rating can cause a fire and electric shock.

Electric current consumption

MAX.	3.99 A	(AC 110V 50 Hz)
MAX.	3.86 A	(AC 110V 60 Hz)
MAX.	3.57 A	(AC 120V 60 Hz)
MAX.	2.04 A	(AC 220V 50 Hz)
MAX.	1.98 A	(AC 220V 60 Hz)
MAX.	1.94 A	(AC 230V 50 Hz)
MAX.	1.89 A	(AC 230V 60 Hz)
MAX.	1.88 A	(AC 240V 50 Hz)
MAX.	1.80 A	(AC 240V 60 Hz)
MAX.	3.63 A	(For TAIWAN, TOSHIBA projection display)
MAX.	3.95 A	(For TAIWAN, MITSUBISHI projection display)



- For transporting the machine into the location's building, the minimum necessary dimensions of the opening (of doors, etc.) are 1m(W) and 1.6m (H).
- For the operation of this machine, secure a minimum area of 1.35m (W)× 2.5m (D).
- Provide sufficient space so as to allow this product's ventilation fan to function efficiently. To avoid machine malfunctioning, do not turn off power for the fan, or do not place any obstacles near the ventilation opening.

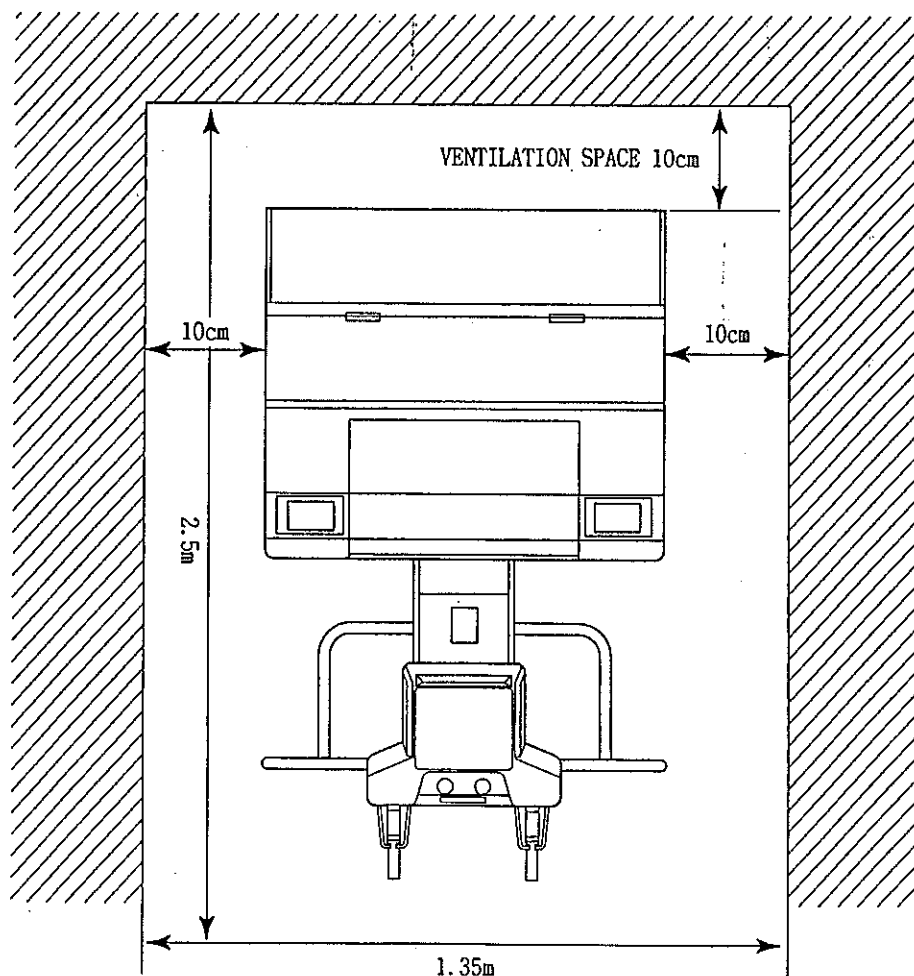


FIG. 2

3. OPERATION

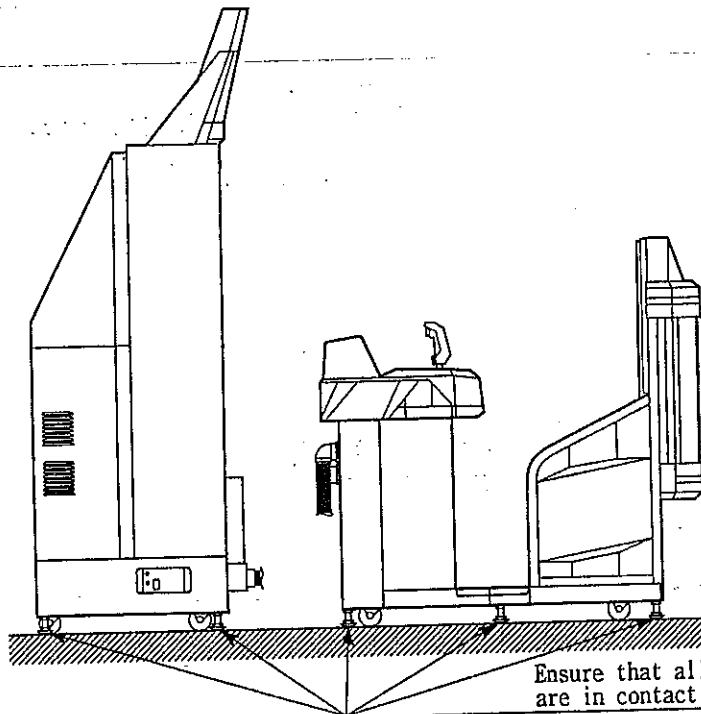
For the safe operation of the product, be sure to observe the following points before starting and during operation.

PRECAUTIONS TO BE HEEDED FOR OPERATION



In order to avoid accidents, check the following before starting the operation:

- Check if all of the adjusters are in contact with the surface. If they are not, the cabinet can move and cause an accident.



- Do not put any heavy item on this product. Placing any heavy item on the product can cause a falling down accident or parts damage.
- Do not climb on the product. Climbing on the product can cause falling down accidents. To check the top portion of the product, use a step.
- To avoid electric shock, check to see if door & cover parts are damaged or omitted.
- To avoid electric shock, short circuit and or parts damage, do not put the following items on or in the periphery of the product.
Flower vases, flowerpots, cups, water tanks, cosmetics, and receptacles/containers/vessels containing chemicals and water.



To avoid injury, be sure to provide sufficient space by considering the potentially crowded situation at the installation location. Insufficient installation space can cause the player to come into contact with or hit the others and result in injury or trouble.

PRECAUTIONS TO BE HEEDED DURING OPERATION (PAYING ATTENTION TO CUSTOMERS)

To avoid injury and trouble, be sure to constantly give careful attention to the behavior and manner of the visitors and players.

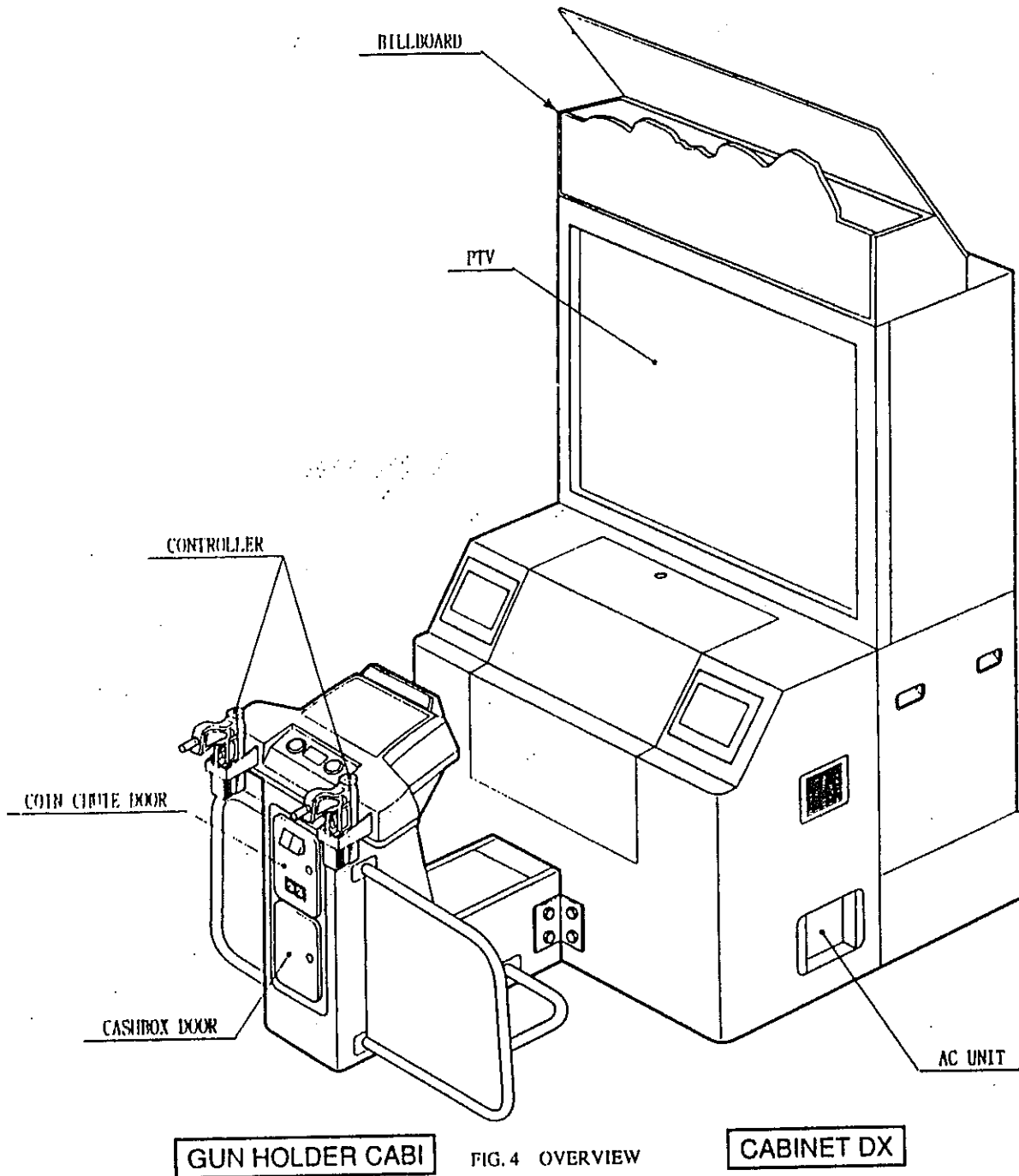


- To avoid injury and accidents, those who fall under the following categories are not allowed to play the game.
 - Intoxicated persons.
 - Pregnant women or those who are in the likelihood of pregnancy.
 - Those who need assistance such as the use of an apparatus when walking.
 - Those who have high blood pressure or a heart problem.
 - Those who have experienced muscle convulsion or loss of consciousness when playing video game, etc.
 - Persons susceptible to motion sickness.
 - Persons whose act runs counter to the product's warning displays.
- To avoid injury resulting from falling down, and electric shock due to spilled drinks, instruct the player not to place heavy items or drinks on the product.
- To avoid electric shock and short circuit, do not allow customers to put hands and fingers or extraneous matter in the openings of the product or small openings in or around the doors.
- To avoid falling down and injury resulting from falling down, immediately stop the customer's leaning against or climbing on the product, etc.
- To avoid electric shock and short circuit, do not allow the customers to unplug the power plug without a justifiable reason.



Immediately stop such violent acts as hitting and kicking the product. Such violent acts can cause parts damage or falling down, resulting in injury due to fragments and falling down.



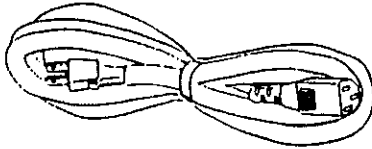
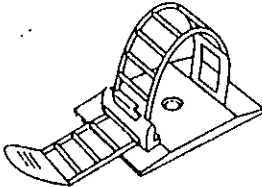
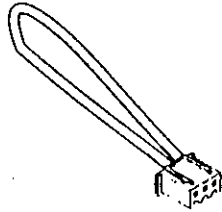
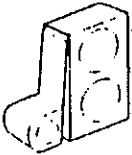
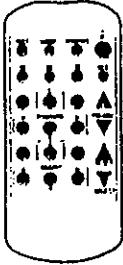
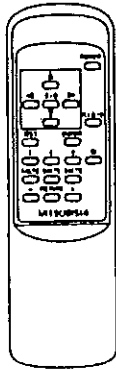

4. NAME OF PARTS



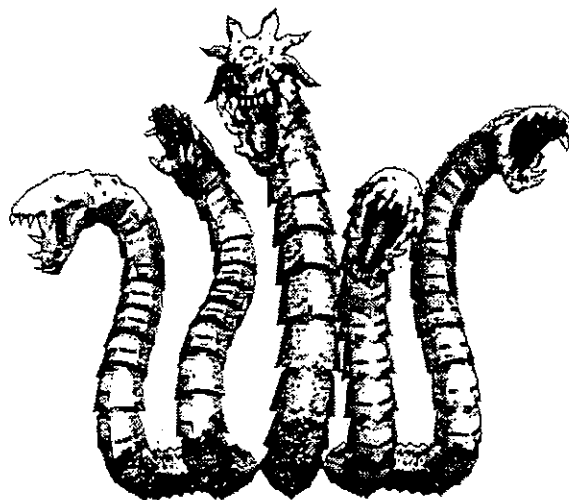
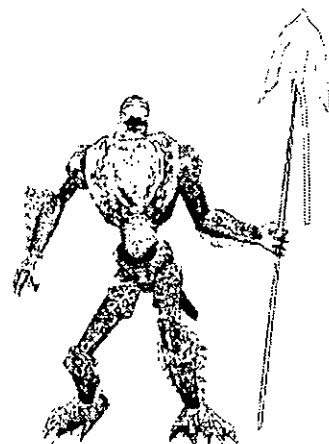
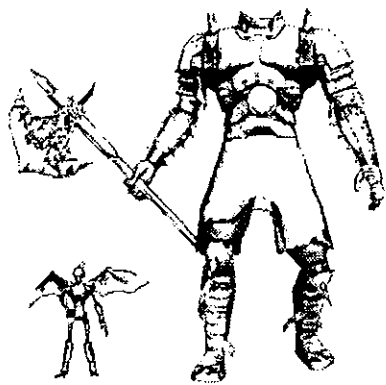
GAME SPECIFICATIONS	WIDTH		HEIGHT		DEPTH	WEIGHT
<i>all measurements are rounded up to the nearest 0.5"</i>						
PTV	45"	X	62.5"	X	21"	~201 LBS.
BILLBOARD	45"	X	7"	X	12"	~37.5 LBS.
CABINET DX	45"	X	37"	X	38"	~192.5 LBS.
GUN HOLDER CABI	21.5"	X	39"	X	40"	~88.5 LBS.
WHEN ASSEMBLED	45"	X	89"	X	65"	~535 LBS.

5. ACCESSORIES

TABLE 5 a ACCESSORIES

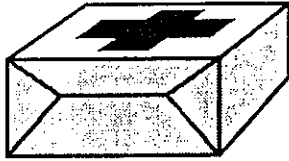
<p>DESCRIPTION OWNERS MANUAL Part No. (Qty.) 4204-6428-03 (1) Note Figures If Part No. has no description, the Number has not been registered or can not be registered. Such a part may not be obtainable even if the customer desires to purchase it. Therefore, ensure that the part is in safekeeping with you.</p>	<p>KEY MASTER 220-5576 (2) For opening/closing the doors</p> 	<p>KEY (2) For the CASHBOX DOOR</p> 
<p>AC Cable (Power Cord) 600-6724 (1) AC 110V AREA 600-6729 Used for installation, see [4] of Section 6.</p> 	<p>CORD CLAMP 280-5009-01 (1) Used for installation, see [4] of Section 6.</p> 	<p>WIRE 100-60040 (1) Used for the prevention of Sight Sensor jamming</p> 
<p>SW MICRO TYPE 509-5080 (1) Spare, see Section 10.</p> 	<p>TOSHIBA Remote Control for Projector Used for adjustment. See Section 12. 200-5536 (1)</p> 	<p>MITSUBISHI Remote Control for Projector Used for adjustment. See Section 12. 200-5532 (1)</p> 
<p>LAMP WEDGE 6V 3W 390-5160 (1) Spare, see Section 13.</p> 	<p>One of the above 2 types of Remote Controls is used for the Projector.</p>	

Downing the boss character awaiting you at the end of each stage results in clearing that particular stage. The player can not defeat the boss until his life meter becomes zero.



- ④ If you would like to join in the game at anytime while the other person is playing, insert a coin(s) and press the start button. Also, when credits allowing the game to be played still remain, the start button on the other side will keep flashing. The player can participate in the game by pressing the flashing button.
- ⑤ When the life point becomes zero, if you want to continue, insert a coin(s) required to continue and press the start button. If credits allowing the player to continue still remain, you can continue by merely pressing the start button.
- ⑥ At the time of game over, if the player's score ranks 10th or higher, his name can be entered.

CONCERNING SPECIAL ITEMS



LIFE

The life point increases by one.
MAX. No. of LIFE: 5



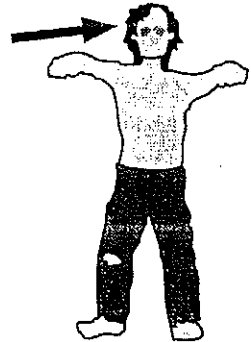
COIN or GOLDEN FROG

Capture a Coin or Golden Frog to earn points.

KNACK OF PLAY

- **Accurately shoot at the head:**
In each stage, the head part is the weak point of the enemy characters other than the Boss. Hitting the head greatly decreases the enemy's life points and can down the enemy quickly. In the latter half of the stages, the higher the stage level you proceed to, the more important the shooting accuracy becomes.
- **Look for your favorite routes:**
The stage has various routes which are determined by the player's action. Some routes have less enemy appearance, frequent life recovery, etc. You can master a knack of play by looking for your favorite routes.
- **Memorizing the enemy's appearance position:**
Since the enemy's appearance pattern is the same every time, you can also master a knack of play by memorizing such pattern through repeated game play.

WEAK POINT



9. EXPLANATION OF TEST AND DATA DISPLAY

By operating the switch unit, periodically perform the tests and data check. When installing the machine initially or collecting cash, or when the machine does not function correctly, perform checking in accordance with the explanations given in this section.
The following shows tests and modes that should be utilized as applicable.

TABLE 9 EXPLANATION OF TEST MODE

ITEMS	DESCRIPTION	REFERENCE SECTIONS
INSTALLATION OF MACHINE	When the machine is installed, perform the following: 1. Check to see that each setting is as per standard setting made at the time of shipment. 2. In the INPUT TEST mode, check such input devices as each SW, V.R., etc. 3. In the OUTPUT TEST mode, check such output devices as lamps, motors, etc. 4. In the SELF-TEST mode, check ICs on the IC Board.	9 - 2 ③, 9 - 3 ⑤ 9 - 3 ② 9 - 3 ③ 9 - 2 ①
MEMORY	Choose MEMORY TEST in the MENU mode to allow the MEMORY test to be performed. In this test, PROGRAM RAMs, ROMs, and ICs on the IC Board are checked.	9 - 2 ①
PERIODIC SERVICING	Periodically perform the following: 1. MEMORY TEST 2. Ascertain each setting. 3. In the INPUT TEST mode, test the CONTROL device 4. In the OUTPUT TEST mode, check such output devices as lamps, motors, etc.	9 - 2 ① 9 - 2 ③, 9 - 3 ⑤ 9 - 3 ② 9 - 3 ③
CONTROL SYSTEM	1. In the INPUT TEST mode, check such input devices as each SW, V.R., etc. 2. Adjust or replace each SW and VR. 3. If the problem can not be solved yet, check the CONTROL's moves.	9 - 3 ② 1 0
MONITOR	In the MONITOR ADJUSTMENT mode, check to see if the MONITOR adjustment is appropriately made.	9 - 2 ② 1 2
IC BOARD	1. MEMORY TEST 2. In the SOUND TEST mode, check the sound related ROMs.	9 - 2 ① 9 - 3 ④
DATA CHECK	Check such data as game play time and histogram to adjust the difficulty level, etc.	9 - 2 ⑤, 9 - 3 ⑥

9-1 SWITCH UNIT AND COIN METER



WARNING!

Never touch places other than those specified. Touching places not specified can cause electric shock and short circuit hazards.



IMPORTANT!

- Adjust to the optimum sound volume by considering the environmental requirements of the installation location.
- If the COIN METER and the game board are electrically disconnected, game play is not possible.

SWITCH UNIT

Open the coin chute door, and the switch unit shown will appear.
The functioning of each SW is as follows:

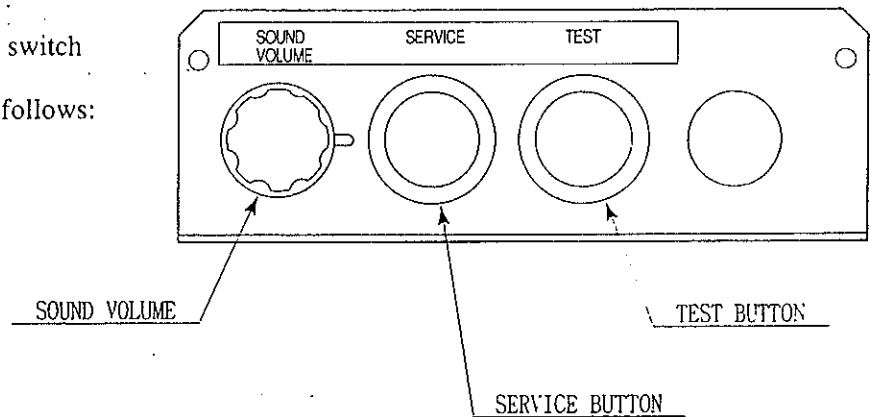


FIG. 9.1 a SWITCH UNIT

TEST BUTTON:
TEST

For the handling of the test button, refer to the following pages.

SERVICE BUTTON:
SERVICE

Gives credits without registering on the coin meter.

SOUND VOLUME:
SOUND VOLUME

Adjusts sound volume for all of the machines' Speakers.

COIN METER

Open the Cashbox Door by using the key to have the Coin Meter appear underneath the Cashbox.

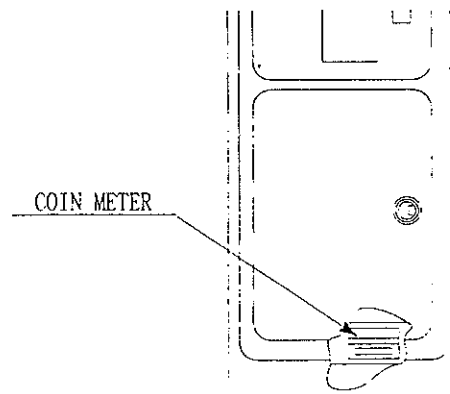


FIG. 9.1 b

9-2 NAOMI TEST MODE

NAOMI GAME BOARD is employed in this product. This Game BD allows another game to be played by replacing the Cartridge. In this product, however, only The House of The Dead 2 is playable. For this system, the Test Mode for the system (NAOMI Test Mode) and the Game Test Mode of THE HOUSE OF THE DEAD 2 are available.

NAOMI Test Mode mainly allows the functioning of board to be checked, monitor adjustment to be checked, and coin assignments to be set.



- The contents of settings changed in the TEST mode are stored when the test mode is finished from EXIT in the menu mode. If the power is turned off before the TEST mode is finished, the contents of setting change become ineffective.
- Executing "BACKUP DATA CLEAR" in the NAOMI Test Mode also clears the BOOKKEEPING DATA in the Game Test Mode.

TEST MODE OPERATION METHOD

After turning power on, press the TEST button to display the menu screen of NAOMI Test Mode. To execute the Game Test Mode, select GAME TEST MODE in the menu mode. Carefully read the explanations of 9-3.

- ① Press the TEST button to display the menu screen of NAOMI Test Mode.
- ② Press the SERVICE button to move the arrow. Bring the arrow to the desired item.
- ③ Press the TEST button to execute the item indicated by the arrow.
- ④ After finishing the test, select EXIT and press the TEST button. The TEST mode is completed and the Game mode returns on to the screen.

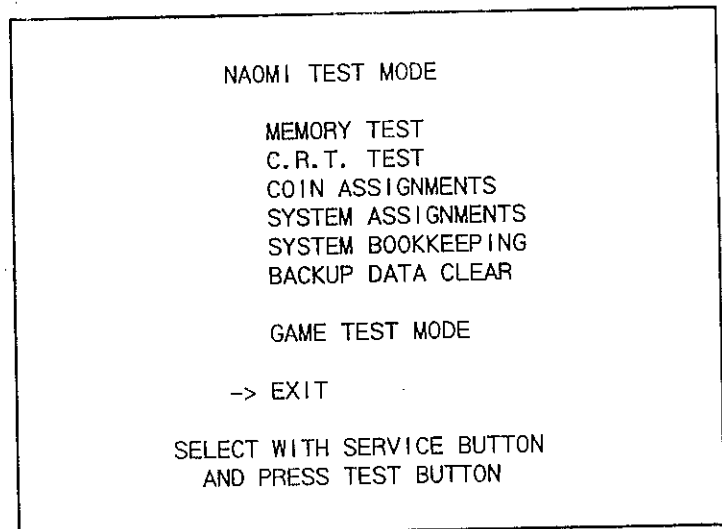


FIG. 9. 2 a Menu Screen, NAOMI TEST MODE

① MEMORY TEST

First, check if MEMORY IC functioning on the Main Board is accurate. If the IC is in good operating condition, "GOOD" will be indicated. If there exists any malfunctioning of the IC's, "BAD" will be indicated.

```
MEMORY TEST MODE

RAM TEST

IC29 GOOD
IC34 GOOD
IC16 GOOD IC18 GOOD
IC20 GOOD IC22 GOOD
IC9 GOOD IC10 GOOD
IC11 GOOD IC12 GOOD

PRESS TEST BUTTON TO CONTINUE
```

FIG. 9.2 b MEMORY TEST MODE (RAM TEST)

After the completion of test, press the TEST button to execute ROM test.

```
MEMORY TEST MODE

ROM TEST

IC22 (ROM0) GOOD IC1 (ROM1) GOOD
IC2 (ROM2) GOOD IC3 (ROM3) GOOD
IC4 (ROM4) GOOD IC5 (ROM5) GOOD
IC6 (ROM6) GOOD IC7 (ROM7) GOOD
IC8 (ROM8) GOOD IC9 (ROM9) GOOD
IC10 (ROM10) GOOD IC11 (ROM11) GOOD
IC12 (ROM12) GOOD IC13 (ROM13) GOOD
IC14 (ROM14) GOOD IC15 (ROM15) GOOD
IC16 (ROM16) GOOD IC17 (ROM17) GOOD
IC18 (ROM18) GOOD IC19 (ROM19) GOOD
IC20 (ROM20) GOOD

PRESS TEST BUTTON TO EXIT
```

FIG. 9.2 c MEMORY TEST MODE (ROM TEST)

If the IC is in good operating condition, "GOOD" will be indicated. If there exists any malfunctioning of the IC's, "BAD" will be indicated.

After the test has been completed, press the TEST button to return to the menu mode.

② C. R. T. TEST

A) RGB COLOR ADJUSTMENT SCREEN

This page allows the monitor's color adjustment to be checked.

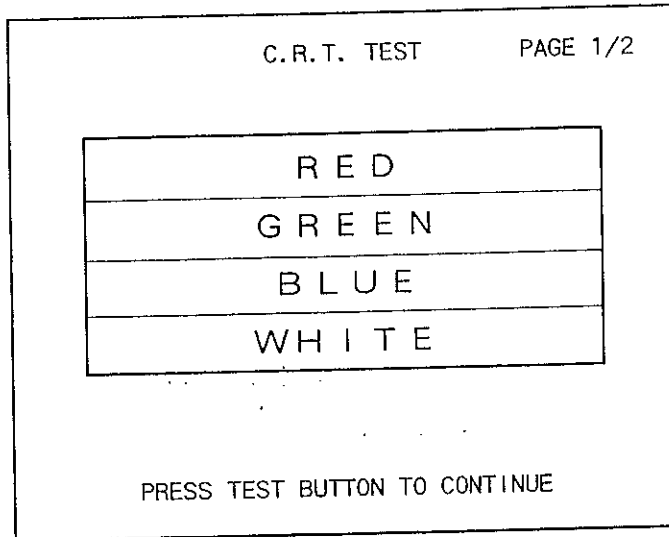


FIG. 9.2 d C.R.T. TEST (1/2)

Each of red, green and blue is the darkest at the leftmost end and becomes brighter towards the right-hand end.

The monitor brightness is satisfactory if the white color bar is black at the left-hand end and white at the right-hand end.

Press the TEST button to have the size check screen appear.

B) MONITOR SIZE ADJUSTMENT SCREEN

This page allows monitor size to be checked.

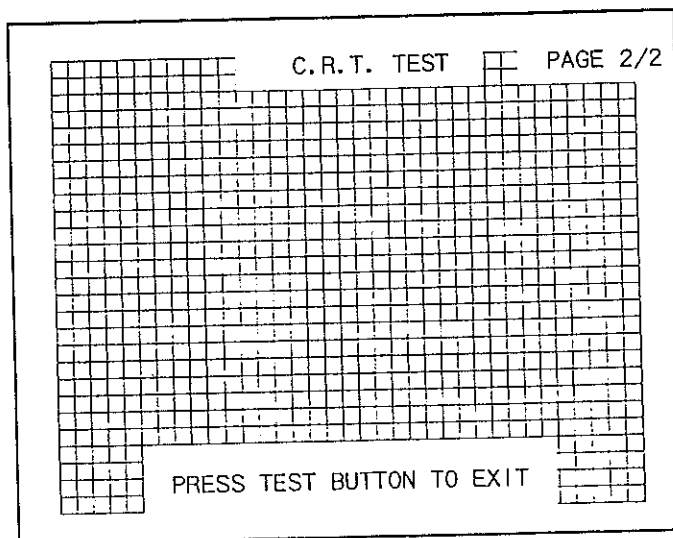


FIG. 9.2 e C.R.T. TEST (2/2)

Make adjustment in the manner so that crosshatches do not go beyond the screen.
Press the TEST button to have MENU return to the screen.

③ COIN ASSIGNMENTS



Changing the settings in COIN ASSIGNMENTS clears BOOKKEEPING data and the SYSTEM BOOKKEEPING data of the Game Test Mode.

In this mode, the setting of credit increments, etc., as against coin insertion can be changed.

- 1) Press the SERVICE button to bring the "->" to the desired item.
- 2) Press the TEST button to change the setting.
- 3) When settings are completed, move the arrow to EXIT and press the TEST button.

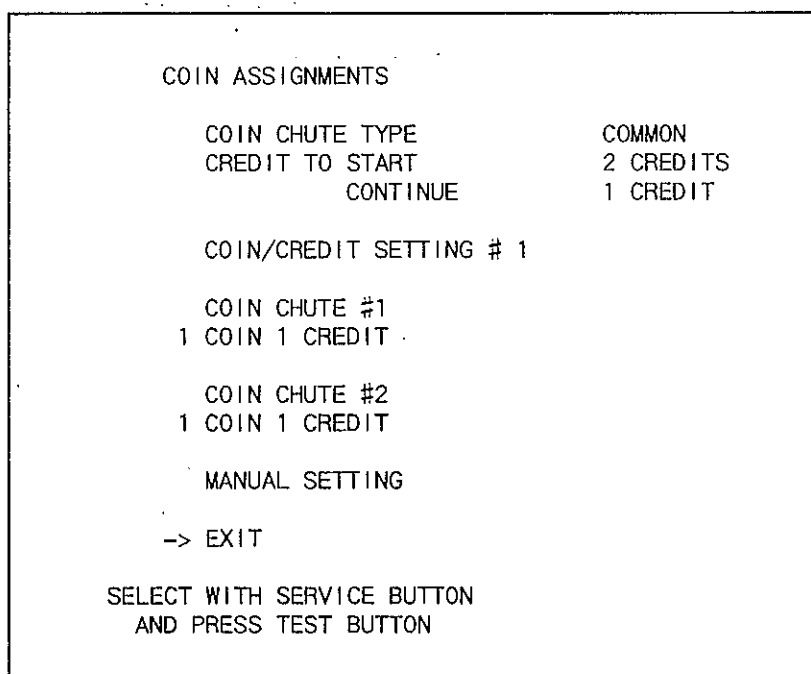


FIG. 9.2 f COIN ASSIGNMENTS

- (A) COIN CHUTE TYPE (COMMON, INDIVIDUAL)
Set to COMMON.

COMMON

Used for the type of the cabinet whose coin acceptance is a common type for plural players. Regardless of the number of players, COIN 1/COIN 2 ports are used.

INDIVIDUAL

Not used.

- (B) CREDIT TO START (1 CREDIT ~ 5 CREDITS)
Sets the number of credits necessary to start game.

- (C) CREDIT TO CONTINUE (1 CREDIT ~ 5 CREDITS)
Sets the number of credits necessary to continue game.

(D) COIN/CREDIT SETTING (# 1 ~ # 27)

Set the CREDIT increase increment per coin insertion. There are 27 settings from #1 to #27, expressed in ○○ credits as against ○○ COINS inserted. #27 refers to FREE PLAY. For details, refer to Table 1 (COMMON).

(E) MANUAL SETTING

The CREDIT's incremental increase settings as against a coin insertion are shown in further details than in (D) above (refer to Table 2). Also, note that when this MANUAL setting is performed, the (D) COIN/CREDIT setting becomes ineffective.

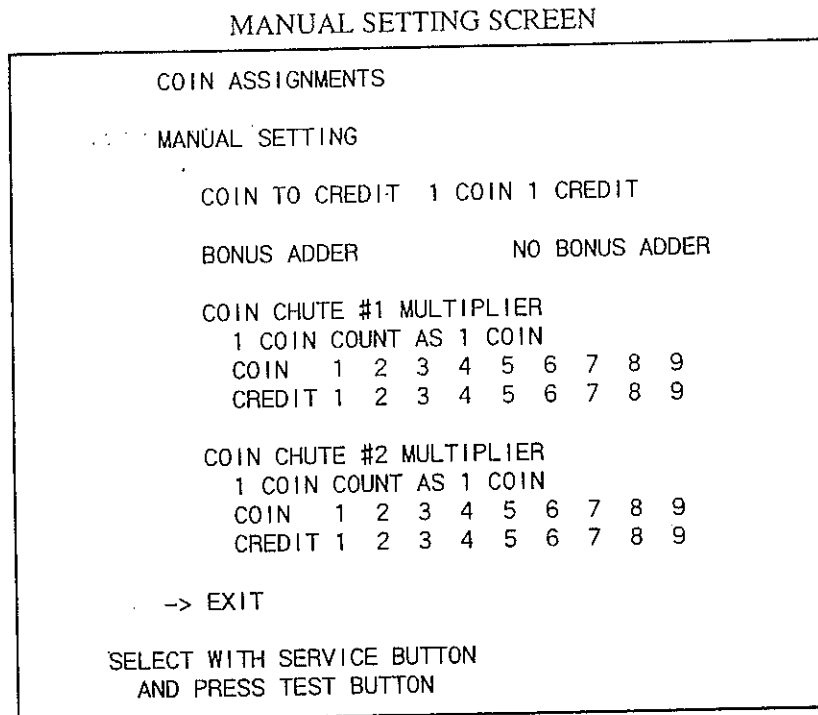


FIG. 9.2 g MANUAL SETTING

(F) COIN TO CREDIT

Determines COIN/CREDIT setting.

(G) BONUS ADDER

This sets how many COINs should be inserted to obtain one SERVICE COIN.

(H) COIN CHUTE # 1/# 2 MULTIPLIER

This sets how many tokens one COIN represents.

TABLE 1 COIN/CREDIT SETTING

NAME OF SETTING	FUNCTIONING OF COIN CHUTE #1		FUNCTIONING OF COIN CHUTE #2	
SETTING #1	1 COIN	1 CREDIT	1 COIN	1 CREDIT
SETTING #2	1 COIN	2 CREDITS	1 COIN	1 CREDIT
SETTING #3	1 COIN	3 CREDITS	1 COIN	1 CREDIT
SETTING #4	1 COIN	4 CREDITS	1 COIN	1 CREDIT
SETTING #5	1 COIN	5 CREDITS	1 COIN	1 CREDIT
SETTING #6	1 COIN	2 CREDITS	1 COIN	2 CREDITS
SETTING #7	1 COIN	5 CREDITS	1 COIN	2 CREDITS
SETTING #8	1 COIN	3 CREDITS	1 COIN	3 CREDITS
SETTING #9	1 COIN	4 CREDITS	1 COIN	4 CREDITS
SETTING #10	1 COIN	5 CREDITS	1 COIN	5 CREDITS
SETTING #11	1 COIN	6 CREDITS	1 COIN	6 CREDITS
SETTING #12	2 COINS	1 CREDIT	2 COINS	1 CREDIT
SETTING #13	1 COIN	1 CREDIT	2 COINS	1 CREDIT
SETTING #14	1 COIN	2 CREDITS	2 COINS	1 CREDIT
SETTING #15	1 COIN	1 CREDIT	1 COIN	1 CREDIT
	2 COINS	3 CREDITS	2 COINS	3 CREDITS
SETTING #16	1 COIN	3 CREDITS	1 COIN	1 CREDIT
			2 COINS	3 CREDITS
SETTING #17	3 COINS	1 CREDIT	3 COINS	1 CREDIT
SETTING #18	4 COINS	1 CREDIT	4 COINS	1 CREDIT
SETTING #19	1 COIN	1 CREDIT	1 COIN	1 CREDIT
	2 COINS	2 CREDITS	2 COINS	2 CREDITS
	3 COINS	3 CREDITS	3 COINS	3 CREDITS
	4 COINS	5 CREDITS	4 COINS	5 CREDITS
SETTING #20	1 COIN	5 CREDITS	1 COIN	1 CREDIT
			2 COINS	2 CREDITS
			3 COINS	3 CREDITS
			4 COINS	5 CREDITS
SETTING #21	5 COINS	1 CREDIT	5 COINS	1 CREDIT
SETTING #22	1 COIN	2 CREDITS	3 COINS	1 CREDIT
			5 COINS	2 CREDITS
SETTING #23	2 COINS	1 CREDIT	2 COINS	1 CREDIT
	4 COINS	2 CREDITS	4 COINS	2 CREDITS
	5 COINS	3 CREDITS	5 COINS	3 CREDITS
SETTING #24	1 COIN	3 CREDITS	2 COINS	1 CREDIT
			4 COINS	2 CREDITS
			5 COINS	3 CREDITS
SETTING #25	1 COIN	1 CREDIT	1 COIN	1 CREDIT
	2 COINS	2 CREDITS	2 COINS	2 CREDITS
	3 COINS	3 CREDITS	3 COINS	3 CREDITS
	4 COINS	4 CREDITS	4 COINS	4 CREDITS
	5 COINS	6 CREDITS	5 COINS	6 CREDITS
SETTING #26	1 COIN	6 CREDITS	1 COIN	1 CREDIT
			2 COINS	2 CREDITS
			3 COINS	3 CREDITS
			4 COINS	4 CREDITS
			5 COINS	6 CREDITS
SETTING #27	FREE PLAY		FREE PLAY	

Table 2 MANUAL SETTING

COIN TO CREDIT	1 COIN 1 CREDIT
	2 COINS 1 CREDIT
	3 COINS 1 CREDIT
	4 COINS 1 CREDIT
	5 COINS 1 CREDIT
	6 COINS 1 CREDIT
	7 COINS 1 CREDIT
	8 COINS 1 CREDIT
	9 COINS 1 CREDIT

BONUS ADDER	NO BONUS ADDER
	2 COINS GIVE 1 EXTRA COIN
	3 COINS GIVE 1 EXTRA COIN
	4 COINS GIVE 1 EXTRA COIN
	5 COINS GIVE 1 EXTRA COIN
	6 COINS GIVE 1 EXTRA COIN
	7 COINS GIVE 1 EXTRA COIN
	8 COINS GIVE 1 EXTRA COIN
	9 COINS GIVE 1 EXTRA COIN

COIN CHUTE (#1/#2) MULTIPLIER	1 COIN COUNTS AS 1 COIN
	1 COIN COUNTS AS 2 COINS
	1 COIN COUNTS AS 3 COINS
	1 COIN COUNTS AS 4 COINS
	1 COIN COUNTS AS 5 COINS
	1 COIN COUNTS AS 6 COINS
	1 COIN COUNTS AS 7 COINS
	1 COIN COUNTS AS 8 COINS
	1 COIN COUNTS AS 9 COINS

④ SYSTEM ASSIGNMENTS

The setting for sound output during advertise can be changed.
Settings of game itself such as difficulty level, etc. are performed in the Game Test Mode.

- 1) Press the SERVICE button to bring the arrow to ADVERTISE SOUND.
- 2) Press the TEST button to change the setting.
- 3) Move the arrow to EXIT and press the TEST button to return to the menu mode.

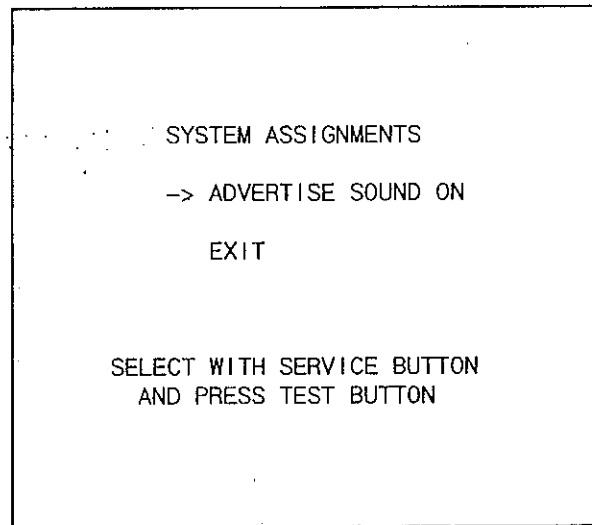


FIG. 9.2 h SYSTEM ASSIGNMENTS

⑤ SYSTEM BOOKKEEPING

Data for Number of coins inserted / Number of Credits can be checked.
Press the TEST button to have the MENU mode return to the screen.

SYSTEM BOOKKEEPING	
COIN CHUTE #1	0
COIN CHUTE #2	0
TOTAL COINS	0
COIN CREDITS	0
TOTAL CREDITS	0
SERVICE CREDITS	0

PRESS TEST BUTTON TO EXIT

FIG. 9. 2i SYSTEM BOOKKEEPING

- COIN CHUTE #*: Number of coins put in each chute.
- TOTAL COINS: Total number of coins inserted.
- COIN CREDITS: Number of credits registered by inserting coins.
- TOTAL CREDITS: Total number of credits.
(COIN CREDITS + SERVICE CREDITS)
- SERVICE CREDITS: Credits registered by the SERVICE button.

⑥ BACKUP DATA CLEAR



Executing BACKUP DATA CLEAR also clears BOOKKEEPING DATA in the Game Test Mode.

Clears SYSTEM BOOKKEEPING DATA.

When clearing, bring the arrow to "YES" and press the TEST button.

Move the arrow to "NO" and press the TEST button to return to the menu mode.

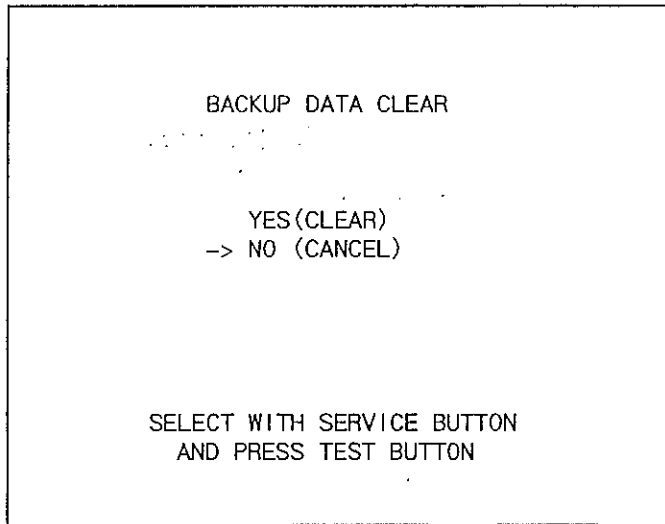


FIG. 9.2j BACKUP DATA CLEAR

9-3 GAME TEST MODE

① TEST MENU

The GAME TEST MODE proceeds from NAOMI TEST MODE.

Select each item by using the SERVICE button and execute with TEST button.

The SERVICE button corresponds to the Cabinet's Gun Trigger, and TEST button corresponds to the Cabinet's START button.

Executing by selecting EXIT proceeds to NAOMI Test Mode.

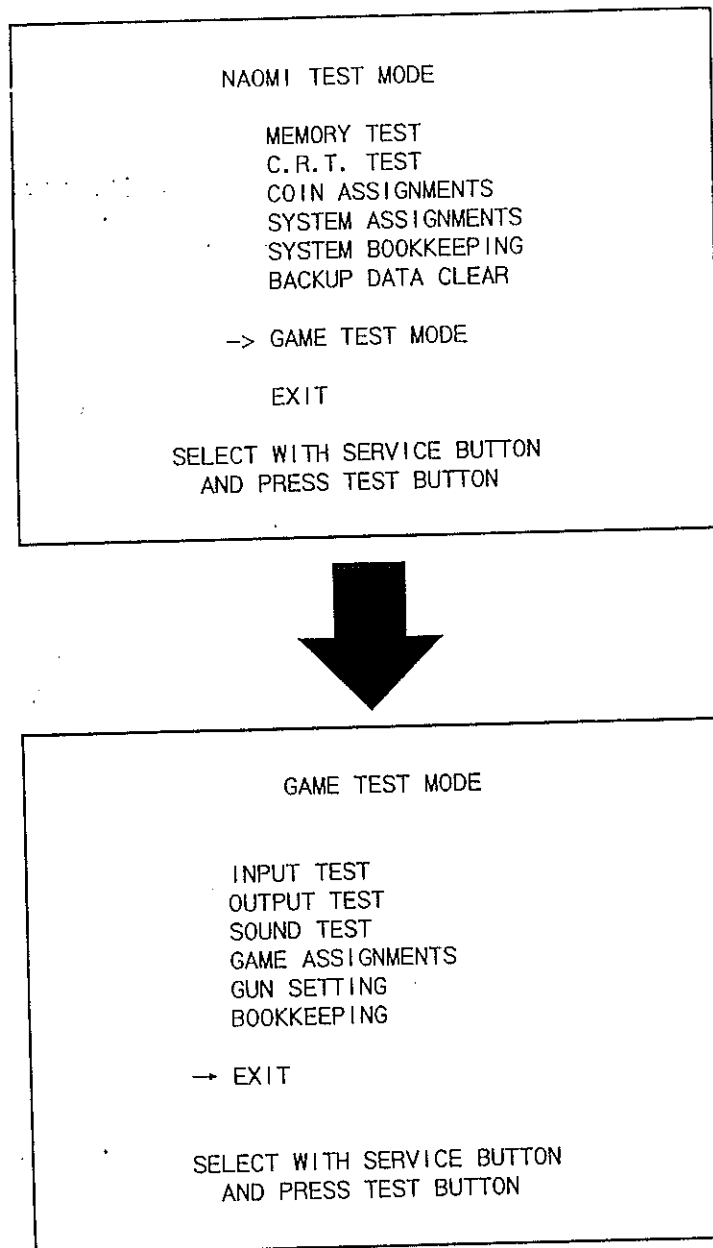


FIG. 9.3 a Test Menu. GAME TEST MODE

② INPUT TEST

INPUT TEST		
	PLAYER1	PLAYER2
START	OFF	OFF
TRIGGER	OFF	OFF
GUN-X	00	00
GUN-Y	00	00
SCREEN-IN	OUT	OUT

PRESS TEST BUTTON TO EXIT

FIG. 9.3 b INPUT TEST

- **PLAYER 1 START:**
To cause this to be ON, press START button 1.
- **PLAYER 2 START:**
To cause this to be ON, press START button 2.
- **PLAYER 1 TRIGGER:**
To cause this to be ON, press TRIGGER 1.
- **PLAYER 2 TRIGGER:**
To cause this to be ON, press TRIGGER 2.
- **PLAYER 1 GUN-X:**
Displays SIGHT position of GUN 1 in the X direction.
- **PLAYER 2 GUN-X:**
Displays SIGHT position of GUN 2 in the X direction.
- **PLAYER 1 GUN-Y:**
Displays SIGHT position of GUN 1 in the Y direction.
- **PLAYER 2 GUN-Y:**
Displays SIGHT position of GUN 2 in the Y direction.
- **PLAYER 1 SCREEN-IN:**
IN is displayed when GUN 1 points the screen.
- **PLAYER 2 SCREEN-IN:**
IN is displayed when GUN 2 points the screen.

Press the TEST button to return to the TEST MENU.

③ OUTPUT TEST

OUTPUT TEST		
START1 LAMP		OFF
START2 LAMP		OFF

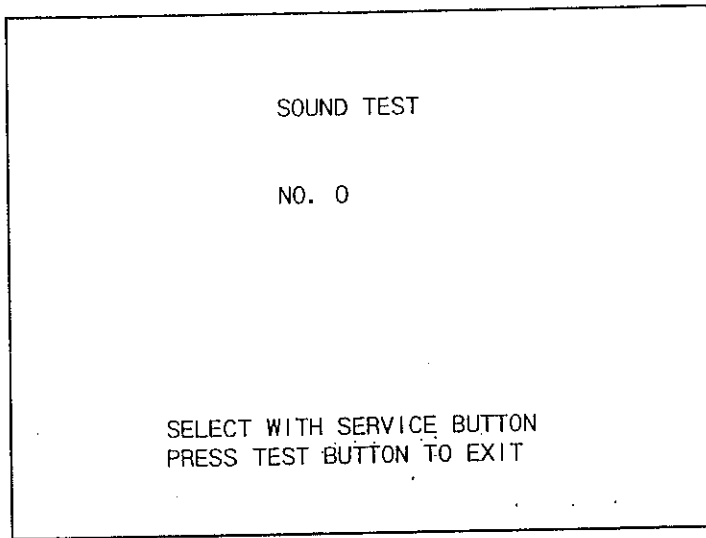
→ EXIT

SELECT WITH SERVICE BUTTON
AND PRESS TEST BUTTON

FIG. 9.3 c OUTPUT TEST

- **START 1 LAMP:**
To cause this to be ON, select START 1 LAMP and press either TEST button or START button 1. The Cabinet's START button 1 lights up.
- **START 2 LAMP:**
To cause this to be ON, select START 2 LAMP and press either TEST button or START button 2. The Cabinet's START button 2 lights up.
- **EXIT:**
Returns to the TEST MENU.

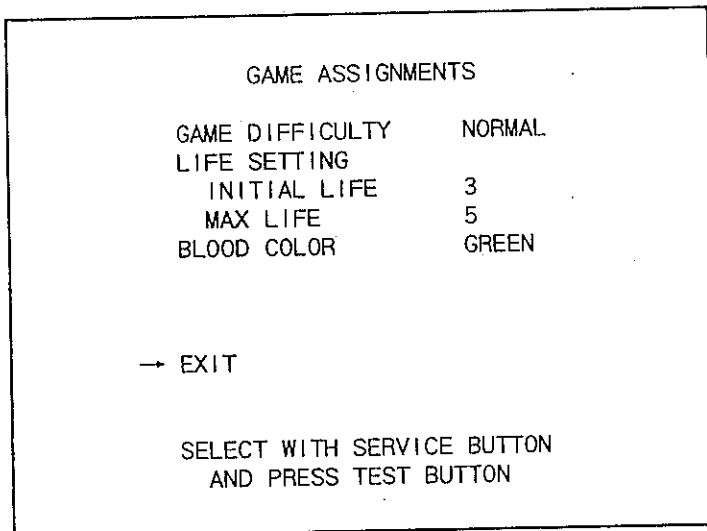
④ SOUND TEST



Press the SERVICE button to increase the number sequentially so as to emit the next sound. Press the TEST button to return to TEST MENU.

FIG. 9.3 d SOUND TEST

⑤ GAME ASSIGNMENTS



● GAME DIFFICULTY:

VERY EASY →
 MEDIUM EASY →
 NORMAL →
 MEDIUM HARD →
 VERY HARD

Game Difficulty Level varies sequentially in order as above.

FIG. 9.3 e GAME ASSIGNMENTS

● LIFE SETTING:

INITIAL LIFE and MAX. LIFE are interlocked in the following 12 combination sets.

INITIAL LIFE	1	2	3	1	2	3	4	1	2	3	4	5
MAX LIFE	3	3	3	4	4	4	4	5	5	5	5	5

The SOUND OUTPUT during ADVERTISE can be set in the NAOMI Test Mode.

● BLOOD COLOR:

Depending on the destination, this can not be set.
 Set BLOOD COLOR to GREEN or RED.

⑥ GUN SETTING

Selecting GUN SETTING causes the following screen shown at the top to appear. This allows the controller sighting to be adjusted. Periodically check the sighting adjustment status on this screen.

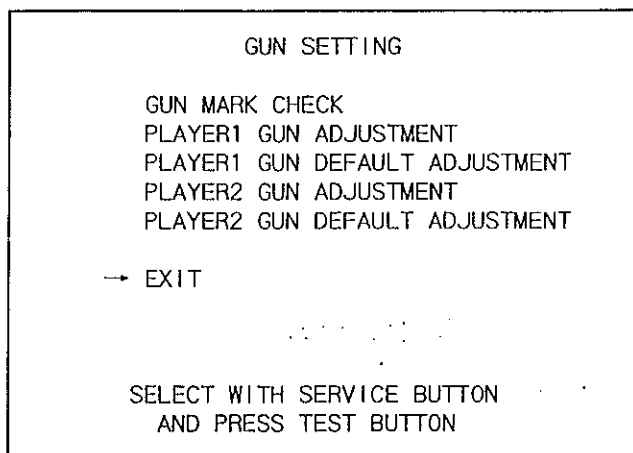


FIG. 9.3 d SIGHTING ADJUSTMENT MENU

The screen shown at the left is the sighting adjustment menu mode. Press the SERVICE BUTTON to bring the (→) arrow to the desired adjustment item to select.

Press the TEST BUTTON to cause the following sighting check screen and sighting adjustment screen to appear. There are 2 types of adjustments, i. e., one for 1P side and the other for 2P side. Adjustments for both 1P and 2P can not be made on the same screen.

To return to the menu, bring the arrow to EXIT and press the TEST BUTTON (FIG. 9.3 a).

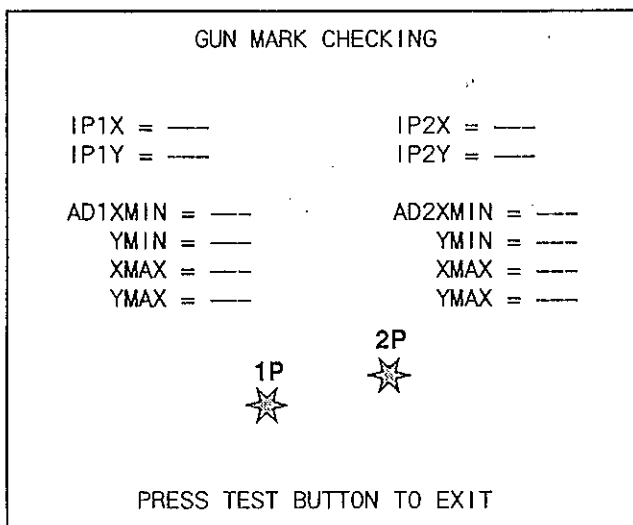



FIG. 9.3 e SIGHTING CHECK

Selecting GUN MARK CHECK causes the screen at the left to appear. Point the controller at this screen to have an impact mark appear on the screen. The position of the mark shows the impact point shot by the controller. Perform sighting check on this screen.

Press the TEST BUTTON to return to the above sighting adjustment menu screen.

 → IMPACT MARK

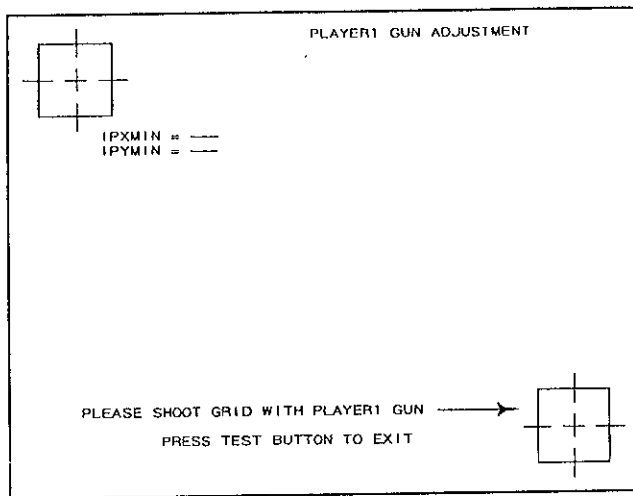


FIG. 9.3 f SIGHTING ADJUSTMENT

Selecting PLAYER 1 GUN ADJUSTMENT causes the screen shown at the left to be displayed. 1P side sighting adjustment can be made on this screen. If the TEST BUTTON is pressed, the sighting adjustment menu returns to the screen without performing anything.

Adjustment procedure: First shoot at the center of the grid (the square mark at the upper left portion of the screen). This causes another grid to appear at the lower right portion of the screen. Shoot at this grid also. (To be continued.)

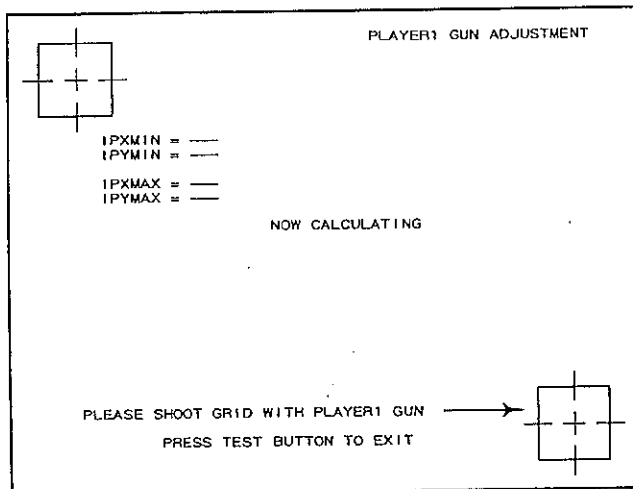


FIG. 9.3 g SIGHTING ADJUSTMENT

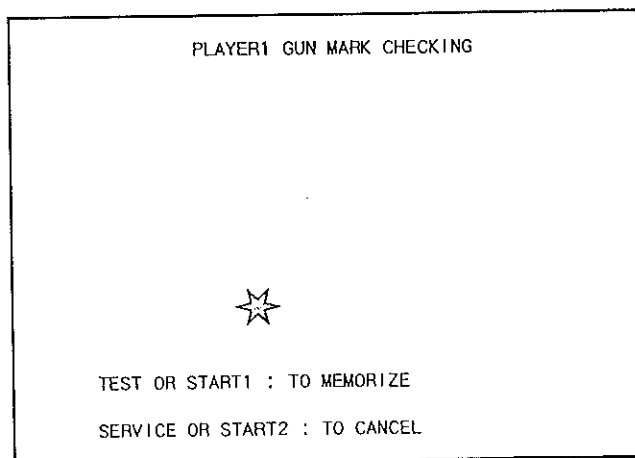


FIG. 9.3 h SIGHTING ADJUSTMENT SELECTION

Shooting the 2 Grid points displays "NOW CALCULATING" on the center of screen to allow sighting to be adjusted. Next, the gun mark checking screen shown left appears. When the Controller is pointed to the screen, the gun mark is shown on the screen. The mark position shows the gunshot. If this adjustment is satisfactory, press either the Test button or 1P side START button. When readjusting, press either the Service button or 2P side START button.

★ → IMPACT MARK

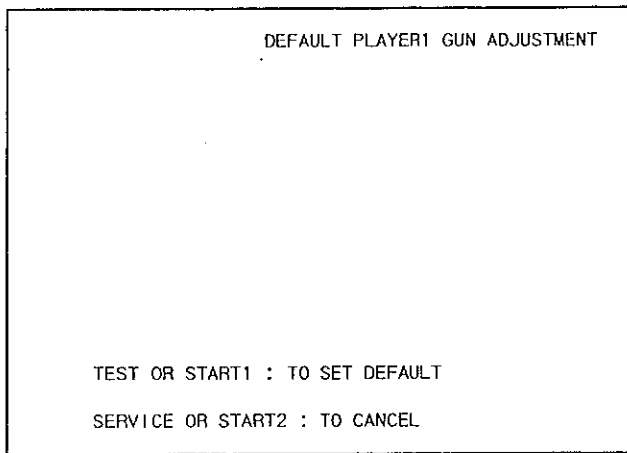


FIG. 9.3 i SIGHTING ADJUSTMENT

Choosing PLAYER 1 GUN DEFAULT ADJUSTMENT causes the screen shown at the left to be displayed. The sighting is reset to the initial setting made at the time of shipment from the factory.

However, due to some changes in the unit's environment and cabinet after shipment, sighting may not be always accurate. To reset to the initial setting, press the TEST BUTTON or 1P side start button. To return to the sighting adjustment menu without doing anything, press the SERVICE BUTTON or 2P side start button.

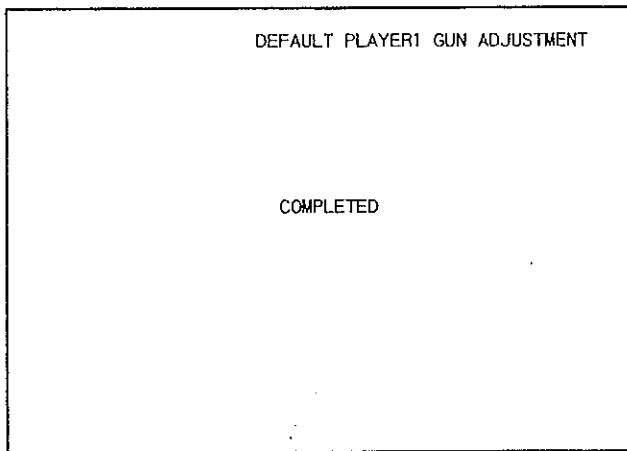


FIG. 9.3 j SIGHTING ADJUSTMENT

The 2P side SIGHT setting is performed in the "PLAYER 2 GUN ADJUSTMENT," and "PLAYER 2 GUN DEFAULT ADJUSTMENT." The setting method is the same as in the 1P side.

⑦ BOOKKEEPING

BOOKKEEPING		PAGE1/2
GAME REPORT		
NUMBER OF GAMES		--
1P GAMES		--
2P GAMES		--
NUMBER OF CONTINUE		--
1P GAMES		--
2P GAMES		--
TOTAL TIME	-D--H--M--S	
PLAY TIME	-D--H--M--S	
AVERAGE PLAY TIME	--M--S	
LONGEST PLAY TIME	--M--S	
SHORTEST PLAY TIME	--M--S	
PRESS TEST BUTTON TO CONTINUE		

FIG. 9.3 k BOOKKEEPING (1/2)

- **NUMBER OF GAMES (CONTINUE):**
The total number of games played (continued) on 1P side and 2P side.
- ***P GAMES:**
Displays the number of games played (continued) on 1P side and 2P side respectively.
- **TOTAL TIME:**
Refers to TOTAL TIME energized except for the time used for the TEST Mode.
- **PLAY TIME:**
Refers to the game play time.

By-playtime play frequency bookkeeping is displayed in increments of 30 seconds from 0M00S to 9M59S. Playtime in excess of 10 minutes is displayed all in the category of OVER 10 M00S.

BOOKKEEPING		PAGE2/2
THE HISTOGRAM		
0M00S ~	0M29S	--
0M30S ~	0M59S	--
1M00S ~	1M29S	--
1M30S ~	1M59S	--
2M00S ~	2M29S	--
2M30S ~	2M59S	--
3M00S ~	3M29S	--
3M30S ~	3M59S	--
4M00S ~	4M29S	--
4M30S ~	4M59S	--
5M00S ~	5M29S	--
5M30S ~	5M59S	--
6M00S ~	6M29S	--
6M30S ~	6M59S	--
7M00S ~	7M29S	--
7M30S ~	7M59S	--
8M00S ~	8M29S	--
8M30S ~	8M59S	--
9M00S ~	9M29S	--
9M30S ~	9M59S	--
OVER	10M00S	--
PRESS TEST BUTTON TO EXIT		

FIG. 9.3 k BOOKKEEPING (2/2)

10. CONTROLLER



- In order to prevent an electric shock and short circuit, be sure to turn power off before performing work by touching the interior parts of the product.
- Be careful so as not to damage wirings. Damaged wiring can cause an electric shock or short circuit accident.

In the cases where the controller's operation is not satisfactory or the controller sight deviates from the direction in which the controller is pointed, the controller's interior parts may have been damaged. Replace the parts by disassembling the controller in the following procedure: Also, be sure to perform sighting check in the test mode when the controller parts are replaced.

REPLACING THE MICROSWITCH

- ① Disassemble the controller.
- ② Pull out the microswitch from COVER RIGHT.
- ③ Take out the microswitch by removing the soldering from it.
- ④ Bend the new Microswitch Actuator as shown.
- ⑤ Solder the new microswitch and assemble the controller.
- ⑥ By operating the Trigger, check if the Microswitch can be turned ON/OFF correctly.

REPLACING THE SENSOR UNIT

- ① Disassemble the controller.
- ② Remove the sensor unit from COVER.

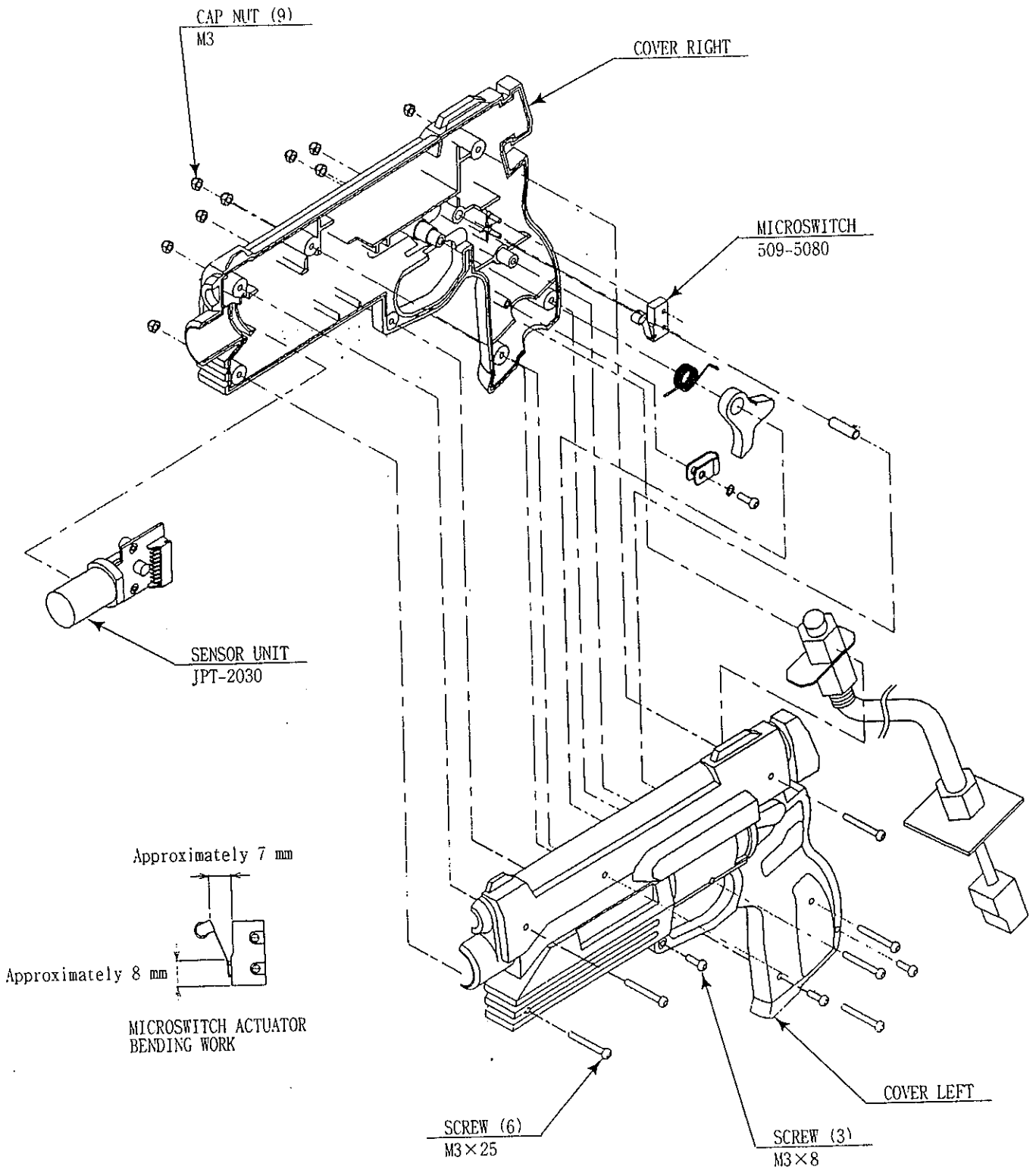


FIG. 10

11. COIN SELECTOR

HANDLING THE COIN JAM

If the coin is not rejected when the REJECT button is pressed, open the coin chute door and open the selector gate. After removing the jammed coin, put a normal coin in and check to see that the selector correctly functions.

CLEANING THE COIN SELECTOR

STOP
IMPORTANT!

- Remove and clean smears by using a soft cloth dipped in water or diluted chemical detergent and then squeezed dry.
- Never apply machine oil, etc. to the Coin Selector.
- After cleaning the Coin Selector, insert a regular coin in the normal working status and ensure that the Selector correctly functions.

The coin selector should be cleaned once every 3 months. When cleaning, follow the procedure below:

- ① Turn the power for the machine OFF. Open the coin chute door.
- ② Open the gate and dust off by using a soft brush (made of wool, etc.).
- ③ Remove and clean smears by using a soft cloth dipped in water or diluted chemical detergent and then squeezed dry.
- ④ Remove the CRADLE.
When removing the retaining ring (E ring), be very careful so as not to bend the rotary shaft.
- ⑤ Remove stain from the rotary shaft and shaft receiving portions by wiping off with a soft cloth, etc.
- ⑥ After wiping off as per ⑤ above, further apply a dry cloth, etc. to cause the coin selector to dry completely.

COIN INSERTION TEST

Once every month, when performing the Coin SW Test, simultaneously check the following:

- Does the Coin Meter count satisfactorily?
- Does the coin drop into the Cashbox correctly?
- Is the coin rejected when inserted while keeping the Reject Button pressed down?

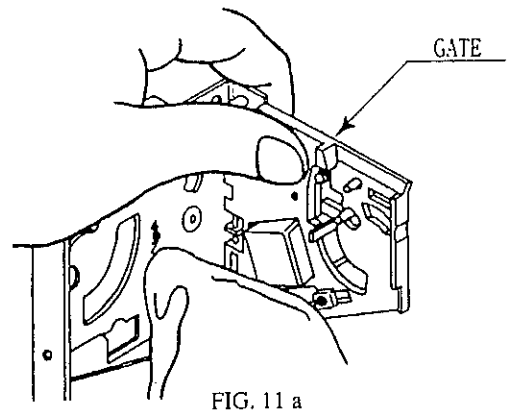


FIG. 11 a

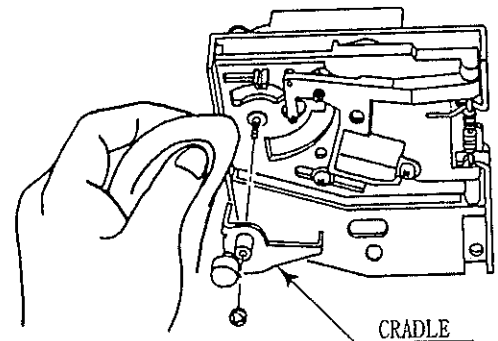


FIG. 11 b

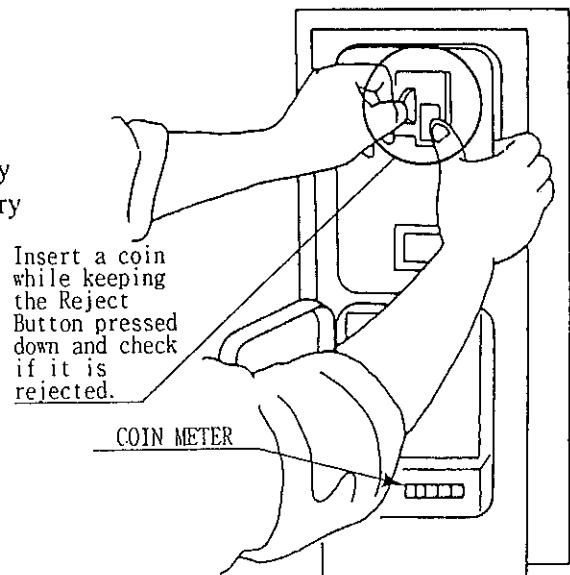


FIG. 11 c

12. PROJECTOR



Since the Projector has been adjusted at the time of shipment, avoid making further adjustments without good reason.



The Projector is subject to color deviation due to Convergence deviation caused by the geomagnetism at the installation location and peripheral magnetic field. After the installation of machine, and before commencing operation, check for Convergence deviation and if deviated, make adjustments.

Projector adjustments are stored. Due to distortion or color deviation in the TEST mode, if an adjustment is necessary, use the Remote Control to make adjustments. There are two Projector Makers (Toshiba and Mitsubishi) and the adjustment method varies depending on the specific maker.

12-1 CLEANING THE SCREEN



Since the Projector screen is susceptible to damage, pay careful attention to its handling. When cleaning, refrain from using water or volatile chemicals.

When the screen surface becomes dirty with dust, etc., clean it by using a soft cloth such as gauze. When water, and volatile chemicals such as benzine, thinner, etc., spill on the screen surface, it may be subject to damage, therefore, do not use them. Also, since the surfaces are susceptible to damage, refrain from rubbing them with a hard material or using a duster.

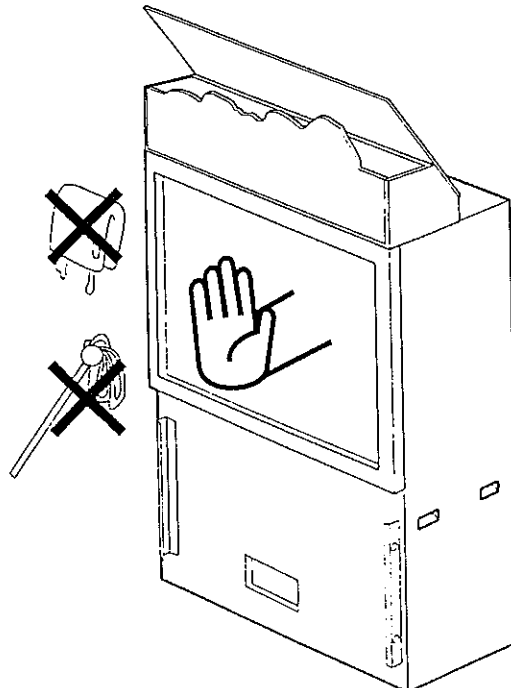


FIG. 12. 1

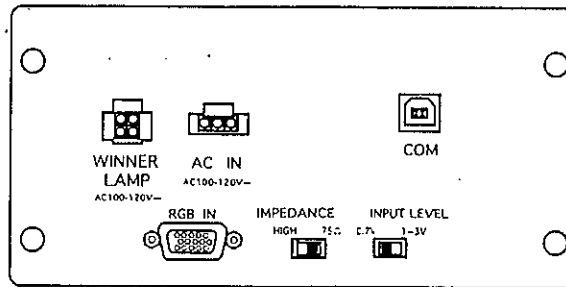
12-2 ADJUSTMENT OF TOSHIBA PROJECTOR

SETTING THE INTERFACE



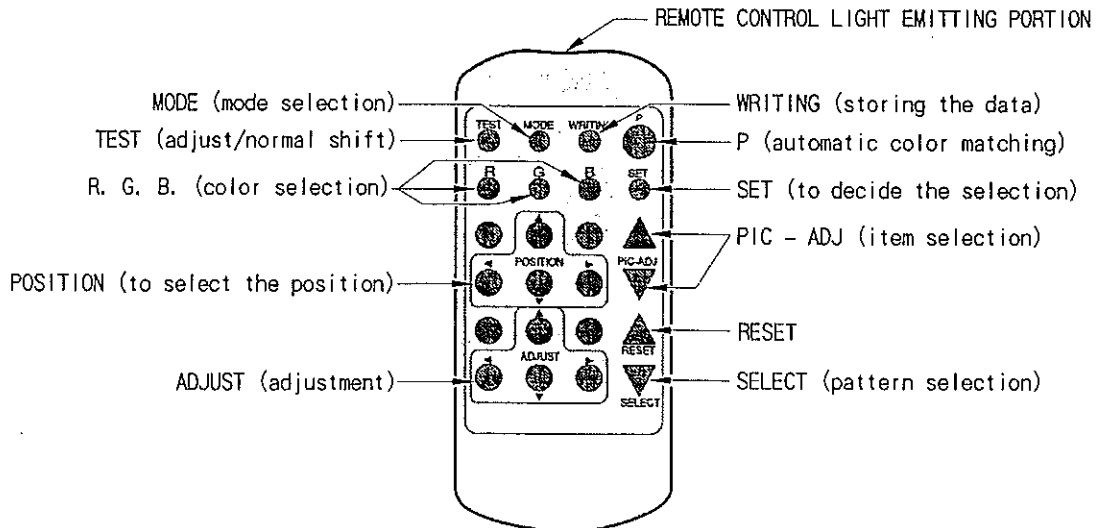
In this product, set to INPUT LEVEL: 0.7V and IMPEDANCE: 75Ω.
Failure to observe this can cause CRT membrane to burn or Shutdown device to function resulting in power off.

The Projector's Connector Panel contains the Interface setting SW.



REMOTE CONTROL BUTTONS

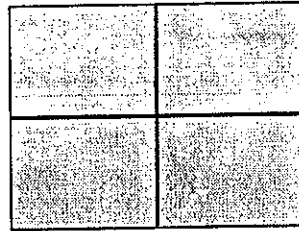
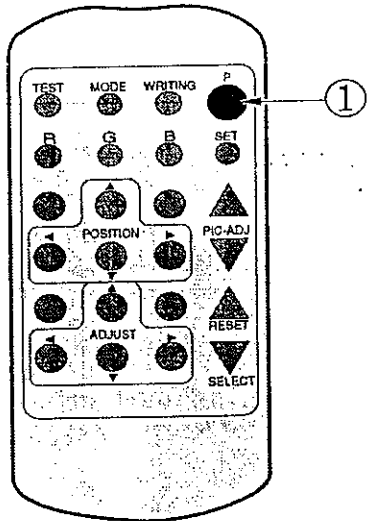
When adjusting the Projector, direct the Remote Control's light emitting portion towards the Projector Screen.



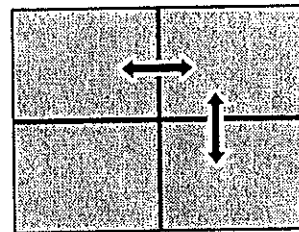
AUTOMATIC COLOR MATCHING

The Projector may be subject to color deviations affected by earth magnetism, the building steel frames, etc. When the Projector is initially installed or the Projector's installation position is changed, have the color matching performed automatically.

- ① Keep pressing the P button (red) for approximately 3 seconds to have the ensuing movements performed automatically.



The Projector will shift to the color deviation correction mode from the game mode, with the green cross pattern appearing on the screen.



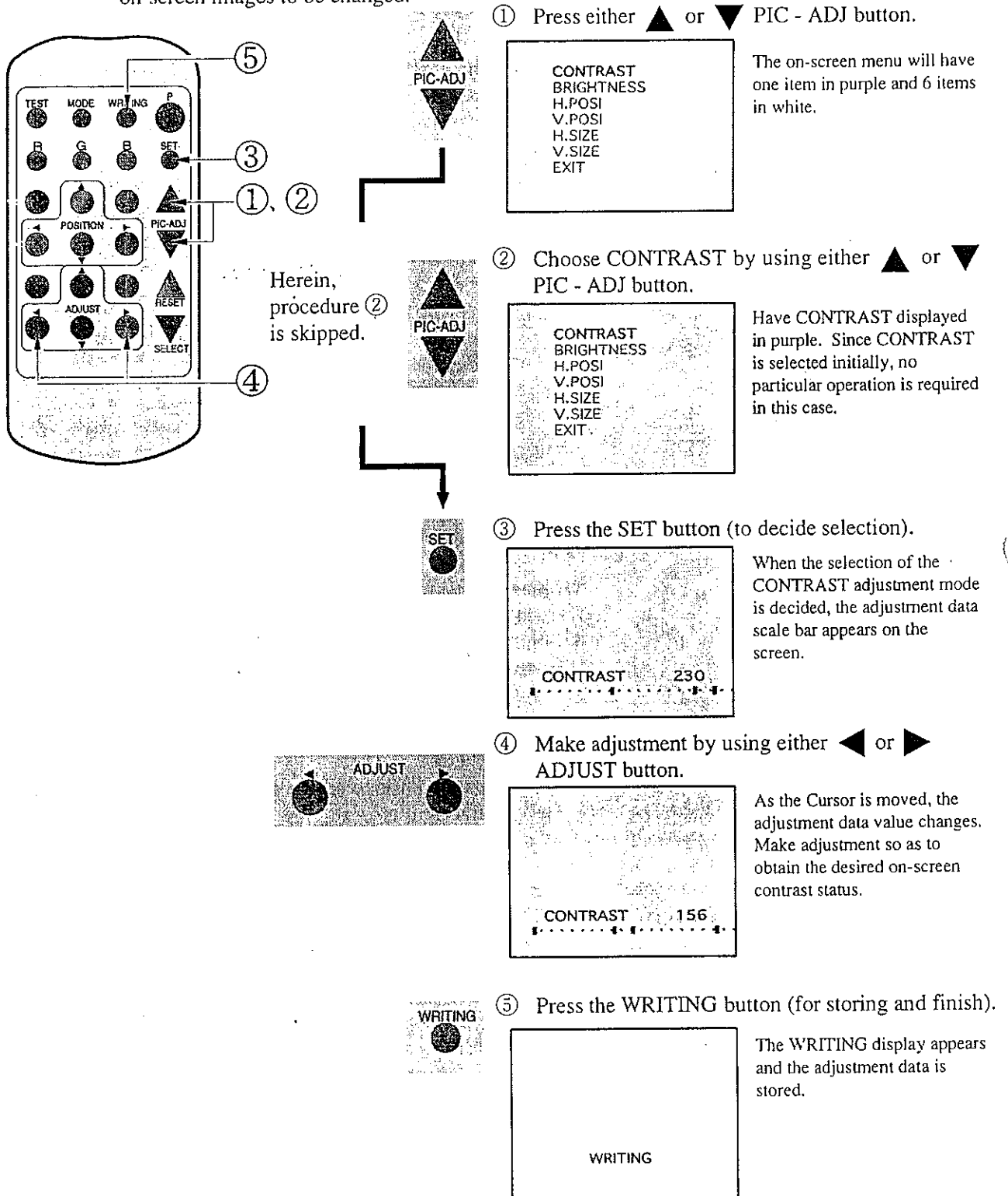
The cross pattern moves up/down and right/left to start the movement of searching the correct screen position and inclination.

When the green cross pattern movements are finished, similar detection is performed sequentially in order of red and then blue cross movements. After detecting by green, red and blue cross movements, the game mode returns with the color deviation status being corrected.

- Although very rarely, the TRY AGAIN error display in red may appear. At this time, press the P button (red) for approximately 3 seconds. Even after the above operation is repeated, if the error condition still exists, then the display shifts to PLEASE ADJ. In this case, the auto color matching function can not be used. Contact the place of contact herein stated or where the product was purchased from.
- If the automatic color matching indicates an error, color matching can manually be performed. Refer to CONVERGENCE ADJUSTMENT (manual color matching).

ADJUSTING THE ON-SCREEN CONTRAST

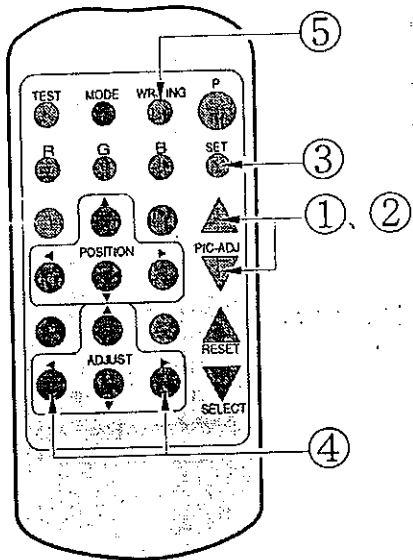
Although the on-screen picture quality has been adjusted at the time of shipment from the factory, the on-screen contrast can be readjusted if desired. When the Game Board is replaced, readjustment may be necessary. Changing the CONTRAST causes the light and shade of the on-screen images to be changed.



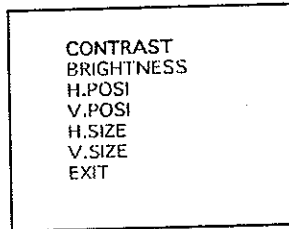
- When discontinuing the adjustment, choose EXIT from the menu at the stage of procedure ② and press the SET button.
- To continue adjusting other menu items, repeat procedure ②~④.
- Unless the adjustment data is stored, the data in the adjusted status will be erased at the time the power is turned off and the pre-adjustment status will remain when the power is turned on next time.

ADJUSTING THE SCREEN BRIGHTNESS

Although the on-screen picture quality has been adjusted at the time of shipment from the factory, readjustment can be made if desired. When the Game Board is replaced, readjustment may be necessary. Changing the BRIGHTNESS causes the brightness of the on-screen images of black portions to be changed.

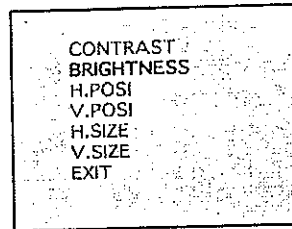


- ① Press either ▲ or ▼ PIC - ADJ button.



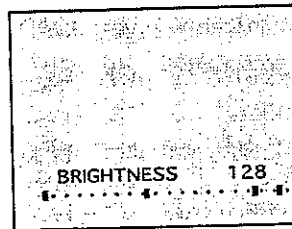
The on-screen menu will have one item in purple and 6 items in white.

- ② Choose BRIGHTNESS by using either ▲ or ▼ PIC - ADJ button.



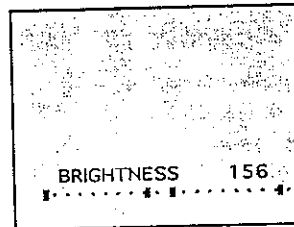
Have the BRIGHTNESS displayed in purple.

- ③ Press the SET button (to decide selection).



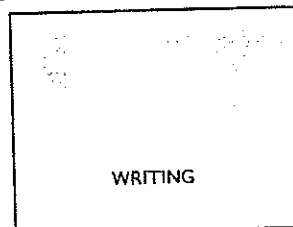
When the selection of the BRIGHTNESS adjustment mode is decided, the adjustment data scale bar appears on the screen.

- ④ Make adjustment by using either ◀ or ▶ ADJUST button.



As the Cursor is moved, the adjustment data value changes. Make adjustment so as to obtain the desired on-screen brightness status.

- ⑤ Press the WRITING button (for storing and finish).



The WRITING display appears and the adjustment data is stored.

- When discontinuing the adjustment, choose EXIT from the menu at the stage of procedure ② and press the SET button.
- To continue adjusting other menu items, repeat procedure ②~④.
- Unless the adjustment data is stored, the data in the adjusted status will be erased at the time the power is turned off and the pre-adjustment status will remain when the power is turned on next time.

ADJUSTING THE ON-SCREEN DISPLAY POSITION

Although the on-screen display position (H. POSI, V. POSI) has been adjusted at the time of shipment from the factory, readjustment can be made if desired. When the Game Board is replaced, readjustments may be necessary.

① Press either ▲ or ▼ PIC - ADJ button.

The on-screen menu will have one item in purple and 6 items in white.

```

CONTRAST
BRIGHTNESS
H.POSI
V.POSI
H.SIZE
V.SIZE
EXIT
    
```

② Choose H. POSI or V. POSI by using either ▲ or ▼ PIC ADJ button.

Have the H. POSI or V. POSI displayed in purple. The Figure shows the status in which H. POSI is selected.

```

CONTRAST
BRIGHTNESS
H.POSI
V.POSI
H.SIZE
V.SIZE
EXIT
    
```

③ Press the SET button (to decide selection).

When the selection of the H. POSI or V. POSI is decided, the adjustment data scale bar appears on the screen.

```

H.POSI 128
    
```

④ Make adjustment by using either ◀ or ▶ ADJUST button.

As the Cursor is moved, the adjustment data value changes. Make adjustment so as to obtain the desired on-screen position status.

```

H.POSI 156
    
```

When making adjustments in vertical directions, also use either ◀ or ▶ ADJUST button.

⑤ Press the WRITING button (for storing and finish).

The WRITING display appears and the adjustment data is stored.

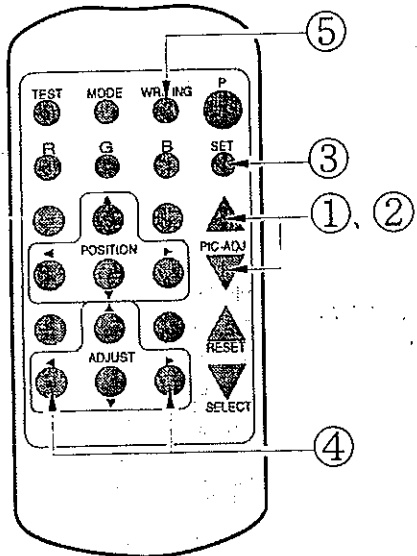
```

WRITING
    
```

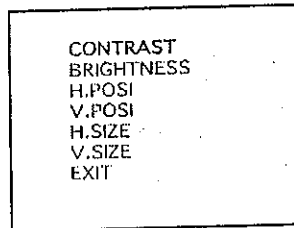
- When discontinuing the adjustment, choose EXIT from the menu at the stage of procedure ② and press the SET button.
- To continue adjusting other menu items, repeat procedure ②~④.
- Unless the adjustment data is stored, the data in the adjusted status will be erased at the time the power is turned off and the pre-adjustment status will remain when the power is turned on next time.

ADJUSTING THE SCREEN SIZE

Although the on-screen size (H. SIZE, V. SIZE) has been adjusted at the time of shipment from the factory, readjustment can be made if desired. When the Game Board is replaced, readjustments may be necessary.

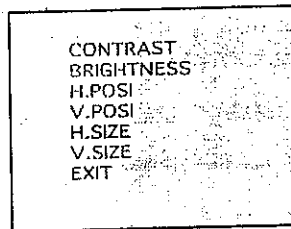


- ① Press either ▲ or ▼ PIC - ADJ button.



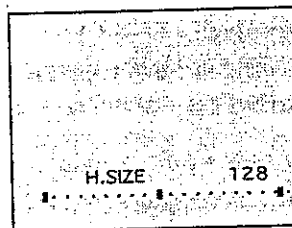
The on-screen menu will have one item in purple and 6 items in white.

- ② Choose H. SIZE or V. SIZE by using either ▲ or ▼ PIC - ADJ button.



Have the H. SIZE or V. SIZE displayed in purple. The Figure shows the status in which H. SIZE is selected.

- ③ Press the SET button (to decide selection).

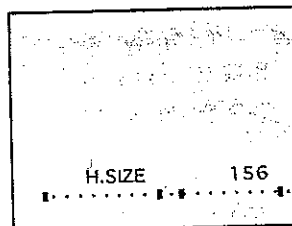


When the selection of the H. SIZE or V. SIZE adjustment mode is decided, the adjustment data scale bar appears on the screen.

- ④ Make adjustment by using either ◀ or ▶ ADJUST button.

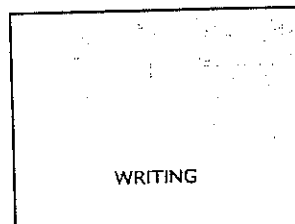


When making adjustments in vertical directions, also use either ◀ or ▶ button.



As the Cursor is moved, the adjustment data value changes. Make adjustment so as to obtain the desired on-screen position status.

- ⑤ Press the WRITING button (for storing and finish).



The WRITING display appears and the adjustment data is stored.

- When discontinuing the adjustment, choose EXIT from the menu at the stage of procedure ② and press the SET button.
- To continue adjusting other menu items, repeat procedure ②~④.
- Unless the adjustment data is stored, the data in the adjusted status will be erased at the time the power is turned off and the pre-adjustment status will remain when the power is turned on next time.

CONVERGENCE ADJUSTMENT (manual color matching)



To avoid circuitry malfunctioning due to electrical load increase, never utilize CONVERGENCE ADJUSTMENT (Line Convergence Adjustment in particular) for adjusting screen size changes.

There is no means to restore the Convergence Adjustment data once stored, to its original state. To avoid changing the screen size by erroneously using convergence adjustment, do not perform the green Line Convergence Adjustment.

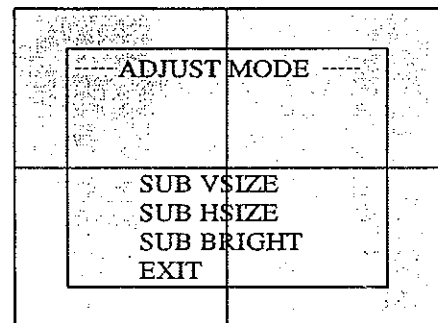
As such, be sure to perform the adjustment work from this page onward by the Technical staff and the location's Maintenance Personnel who are well versed in such adjustment work. In the Static Convergence Adjustments, if satisfactory adjustments can not be performed, do not make another convergence adjustments inadvertently. Contact the office herein stated or where the product was purchased from.



- To avoid making the adjustment work ineffective, do not press the RESET button during adjustment.
- To discontinue adjustment work, keep pressing the TEST button for approximately 3 seconds at the stage before storing the adjustment data by pressing the WRITING button.
- Should the screen be abnormally disturbed by noise due to static electricity, etc., turn the power off without storing the adjustment data.
- Pressing the ▲ or ▼ PIC - ADJ button in the Convergence Adjustment mode status will display the Adjustment Menu shown right. Do not utilize this Adjustment Menu as this is the one applied at the factory.

Adjusting this menu causes the Customer's adjustment range to be deviated.

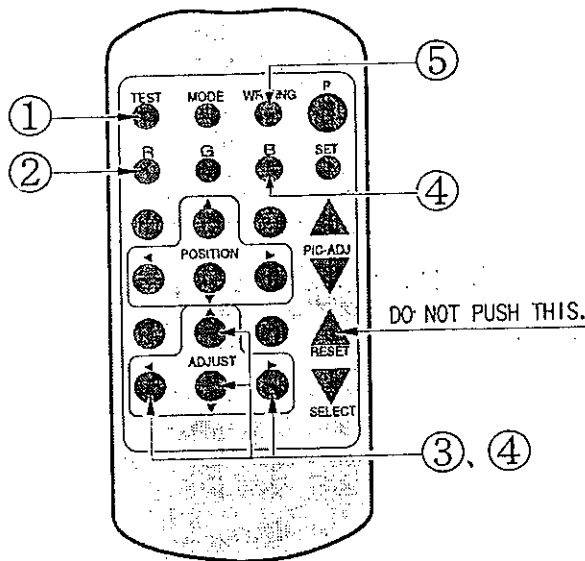
Should the menu shown right be displayed by mistake, first choose EXIT by using either ▲ or ▼ PIC - ADJ button and then press the SET button.



Adjustment menu used in the factory.

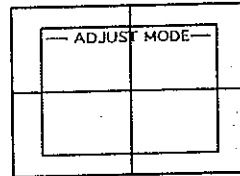
STATIC CONVERGENCE ADJUSTMENT

In the static convergence adjustment, each of red and blue images is comprehensively moved to and superimposed on the green color. If automatic color matching function is not sufficiently satisfactory, perform this adjustment. Be sure to perform automatic color matching before starting the above adjustment.



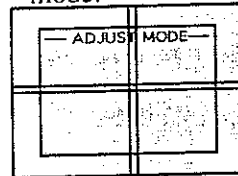
When either of ② ④ COLOR SELECT buttons (R, B) is pressed, if the color desired to be adjusted disappears, press that particular button again. For example, if the red color needs to be adjusted again at the stage of ④, the R button need to be pressed twice.

- ① Keep pressing the TEST button for approximately 3 seconds.



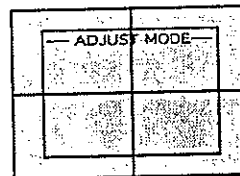
The screen will change to ADJUST mode from the Game mode to cause the green test pattern to be displayed on the screen.

- ② Press the R button to have the red adjustment mode.



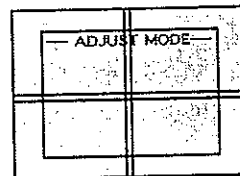
The red test pattern is added to the display. The frame color turns red and this signifies the red adjustment mode.

- ③ Make adjustment by using the ▲ ▼ ◀ ▶ ADJUST buttons.



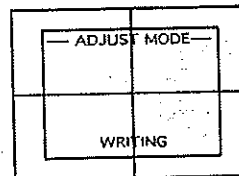
Make adjustment so as to have red superimposed on green. When red is superimposed on green, the color becomes yellow.

- ④ Press the B button to have the blue adjustment mode.



Similarly as in the case of red, adjust the blue color. When green, red, and blue are superimposed, the color becomes white.

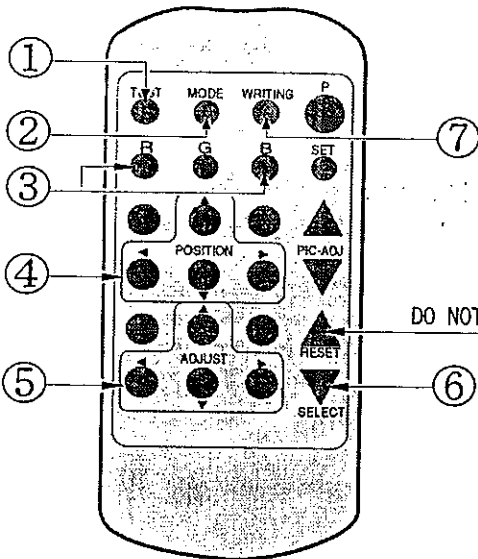
- ⑤ Press the WRITING button (for storing and finish).



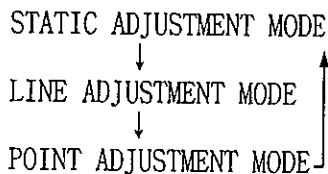
The WRITING display appears and the adjustment data is stored. After the data is stored, the Game mode returns.

POINT CONVERGENCE ADJUSTMENT

In the POINT CONVERGENCE adjustment, each of red, green and blue images is partially moved for color matching. The adjustment may be necessary when the Game Board is replaced or changed, or screen size is changed. Be sure to perform automatic color matching before starting the adjustment.



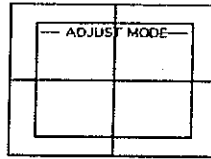
Note 1 When the MODE button is repeatedly pressed, the adjustment modes will circulate as follows:



Note 2 When either of the COLOR SELECT buttons (R, B) is pressed, if the desired color to be adjusted disappears, press that particular button again.

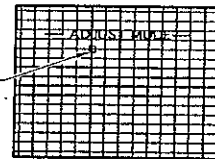
Note 3 By repeatedly pressing the SELECT button, only the Projector's TEST pattern screen and the screen superimposing the Game Board Test pattern can be alternately displayed.

- Keep pressing the TEST button for approximately 3 seconds.



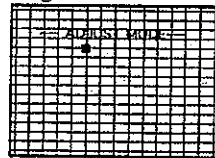
The screen changes to ADJUST mode from the Game mode and displays the green test pattern.

- Press the MODE button twice to have the POINT ADJUSTMENT mode. Note 1



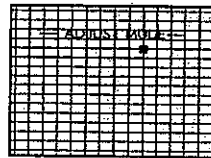
The crosshatch test pattern appears and the MARKER indicating the adjustment point is displayed.

- Using either R or B button, select the desired color to be adjusted. Note 2 By using the G button, the green color can also be selected.



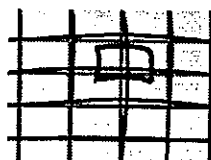
The selected color is displayed by superimposing on green. The MARKER will be in the color selected.

- By using the ▲ ▼ ◀ ▶ ADJUST buttons, move the MARKER to the position to be adjusted.



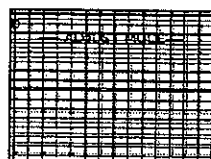
The MARKER moves in the direction of the button's arrow. However, the movable point is predetermined.

- Make adjustment by using the ▲ ▼ ◀ ▶ ADJUST buttons.



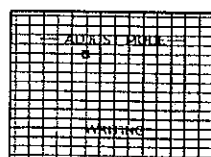
Although the direct vicinity of the MARKER's center moves most conspicuously, make adjustment by paying attention to the periphery area also. Shown left is the magnified MARKER periphery.

- Press the SELECT button as necessary to superimpose Game Board images. Note 3



If the test pattern is not displayed in the periphery of the screen, adjustments can be made by pressing the SELECT button to superimpose the test pattern and the Game Board's CRT test screen.

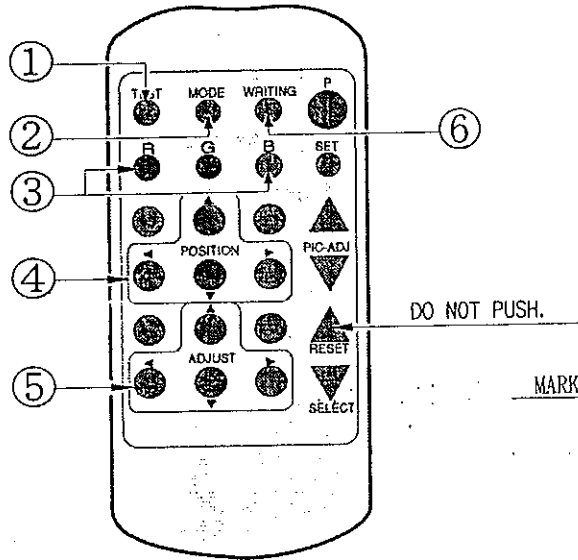
- Press the WRITING button (for storing and finish).



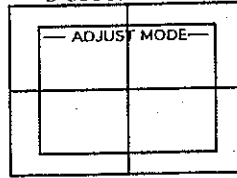
WRITING is displayed and the adjustment data is stored. After the data is stored, the Game Board screen returns.

LINE CONVERGENCE ADJUSTMENT

In the LINE CONVERGENCE ADJUSTMENT, the adjustment point of the column line (vertical) or row line (horizontal) is comprehensively moved for color matching. It is convenient to utilize this adjustment when the color of the column line or row line is uniformly deviated.

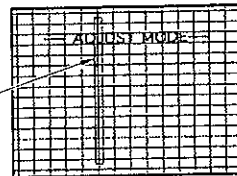


- Keep pressing the TEST button for approximately 3 seconds.



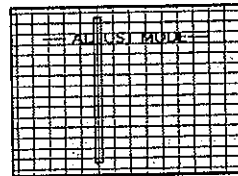
The screen changes to ADJUST mode from the Game Board mode and displays the green test pattern.

- Press the MODE button once to have the POINT ADJUSTMENT mode. Note 1



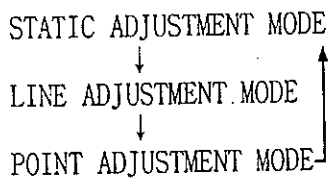
The crosshatch test pattern appears and the vertically long MARKER is shown.

- Using either R or B button, select the desired color to be adjusted. Note 2 Although the green color can also be selected by using the G button, to avoid the screen size change adjustment, do not choose green.



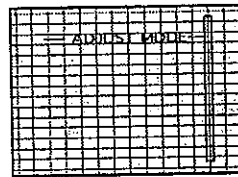
The selected color is displayed by superimposing on green. The MARKER will be in the color selected.

Note 1 When the MODE button is repeatedly pressed, the adjustment modes will circulate as follows:

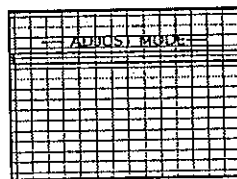


Note 2 When either of the COLOR SELECT buttons (R, B) is pressed, if the desired color to be adjusted disappears, press that particular button again.

- By using the ▲ ▼ ◀ ▶ POSITION buttons, move the MARKER to the position to be adjusted.

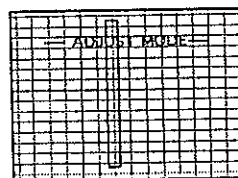


Use the ◀ ▶ buttons to select the column line, and the MARKER moves in the right/left direction. However, the movable range is predetermined.



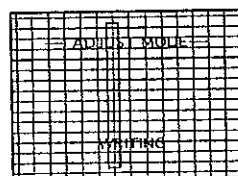
Use the ▲ ▼ buttons to select the row line and the MARKER moves in the up/down direction. However, the movable range is predetermined.

- Make adjustment by using the ▲ ▼ ◀ ▶ ADJUST buttons.



The selected column line or row line (shown left is the column line) can be moved in the desired up/down or right/left directions as applicable.

- Press the WRITING button (for storing and finish).

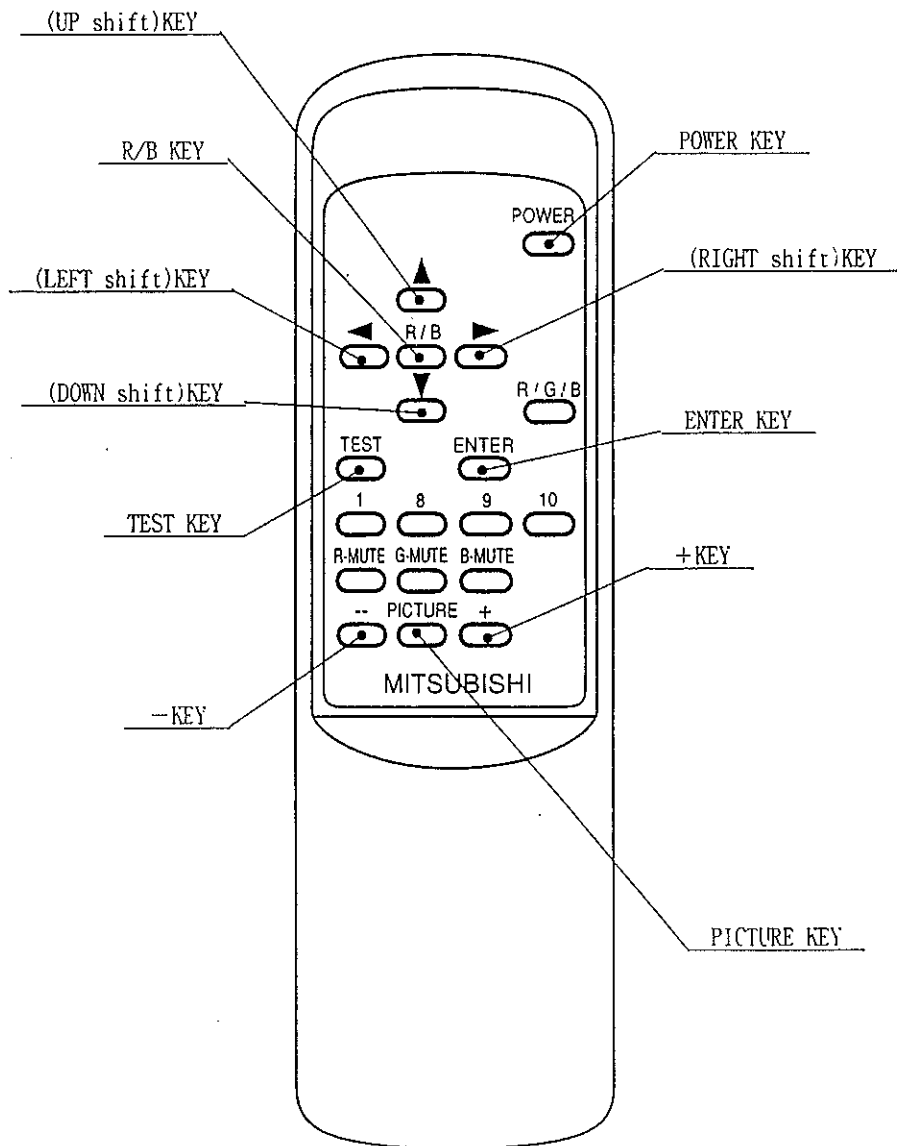


WRITING is displayed and the adjustment data is stored. After the data is stored, the Game Board screen returns.

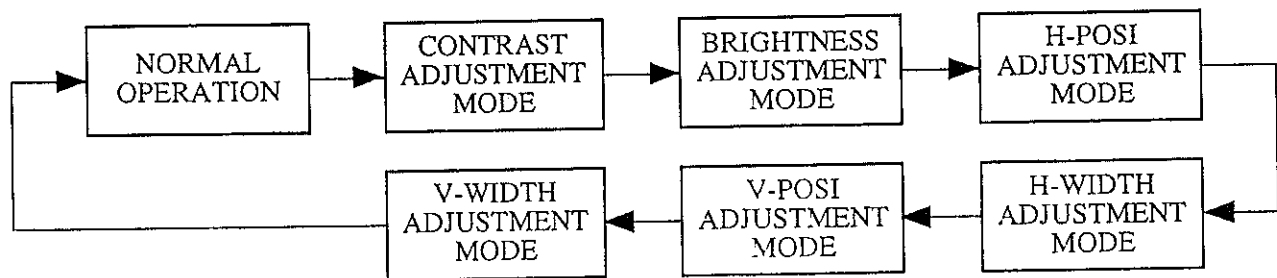


- For the operation of Remote Control, use only the Keys of POWER, R/B, ▲ (UP shift), ◀ (LEFT shift), ▼ (DOWN shift), ▶ (RIGHT shift), TEST, ENTER, -, +, and PICTURE. Do not press keys other than those explained in this manual.
- When operating the Remote Control, have it point the screen.

The Projector has DYNAMIC CONVERGENCE adjustment functions. This manual does not refer to the functions as the adjustment of DYNAMIC CONVERGENCE is very troublesome and in addition, visual effects are negligible.



- POWER KEY This does not have power ON/OFF function.
Does not function even if it is pressed.
- R/B KEY Used to select "R" for red adjustment or "B" for blue adjustment in the STATIC CONVERGENCE ADJUSTMENT mode.
- ▲(UP shift) KEY Used to move the test cross upward in the STATIC CONVERGENCE ADJUSTMENT mode.
- ◁(LEFT shift) KEY Used to move the test cross to the left in the STATIC CONVERGENCE ADJUSTMENT mode.
- ▼(DOWN shift) Used to move the test cross downward in the STATIC CONVERGENCE ADJUSTMENT mode.
- ▷(RIGHT shift) KEY Used to move the test cross to the right in the STATIC CONVERGENCE ADJUSTMENT mode.
- TEST KEY This is the ON/OFF key in the STATIC CONVERGENCE ADJUSTMENT mode. In the ON status of this key, the test cross pattern appears in the approximately on-screen center.
- ENTER KEY Used for DYNAMIC CONVERGENCE.
- - KEY Used to decrease the adjustment data in the adjustment mode of CONTRAST, BRIGHTNESS, HORIZONTAL/VERTICAL POSITIONS and WIDTH.
- + KEY Used to increase the adjustment data in the adjustment mode of CONTRAST, BRIGHTNESS, HORIZONTAL/VERTICAL POSITIONS and WIDTH.
- PICTURE KEY Used for the ADJUSTMENT mode of CONTRAST, BRIGHTNESS, HORIZONTAL/VERTICAL POSITIONS and WIDTH.
Every time this key is pressed, the ADJUSTMENT mode proceeds as follows:



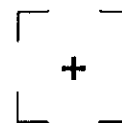
EXPLANATIONS OF ADJUSTMENT MODES

- CONTRAST Used to vary image contrast. Use + and - keys to adjust.
- BRIGHTNESS Used to change image brightness. Use + and - keys to adjust.
- H-POSI Used to move the image position in the horizontal direction. Use + and - keys to adjust.
- H-WIDTH Used to change the horizontal width of image. Use + and - keys to adjust.
- V-POSI Used to move the image position in the vertical direction. Use + and - keys to adjust.
- V-WIDTH Used to change the vertical width of image. Use + and - keys to adjust.

STATIC CONVERGENCE ADJUSTMENT

Press the TEST KEY to change the screen to Red Line Adjustment mode.

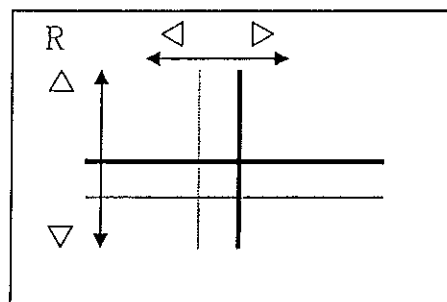
RED 31K
H:+75 V:-11



Superimpose the red line on the green line.
When the red line is superimposed on the green line, the green line turns to yellow or white.

To MOVE RED LINE:

- Use ◀ key to move it left.
- Use ▶ key to move it right.
- Use ▲ key to move it upward.
- Use ▼ key to move it downward.

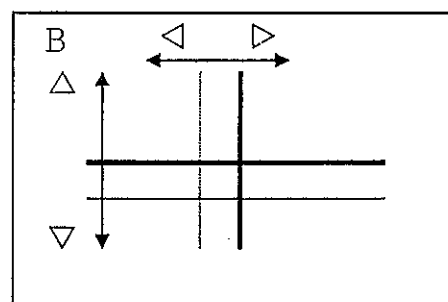


Press the R/B KEY.
Changes to the Blue Line Adjustment screen.
Every time the key is pressed, "from red to blue" and "from blue to red" are alternated.

SUPERIMPOSING BLUE LINE ON GREEN LINE:
Superimposing blue line on green line causes the green line to turn to white.

TO MOVE BLUE LINE:

- Use ◀ key to move it left.
- Use ▶ key to move it right.
- Use ▲ key to move it upward.
- Use ▼ key to move it downward.



Press the TEST KEY.
Adjustment is finished.

AUTOMATIC CANCELLATION OF ADJUSTMENT MODE

In each adjustment mode, only in the case where an effective key input (variation of values and images) is not performed within the time limit indicated below, the adjustment mode is automatically cancelled and finished, shifting to on-screen normal images.

Approximately 6 seconds CONTRAST
 BRIGHTNESS
 H-POSI
 H-WIDTH
 V-POSI
 V-WIDTH

Approximately 5 min. STATIC CONVERGENCE

13. REPLACING THE FLUORESCENT LAMP, AND LAMPS



- When performing work, be sure to turn power off. Working with power on can cause electric shock and short circuit hazards.
- The Fluorescent Lamp, when it gets hot, can cause burn. Be very careful when replacing the Fluorescent Lamp.
- Be sure to use lamps of the designated rating. Using lamps of undesignated rating can cause a fire or malfunctioning.



To perform work safely and securely, be sure to prepare a step which is in a secure and stable condition. Not using a step or using an unstable step can cause violent falling down accidents.

13 - 1 FLUORESCENT LAMP REPLACEMENT

- ① Turn off power.
- ② Take off one each screw shown and remove the two Holder Brackets.

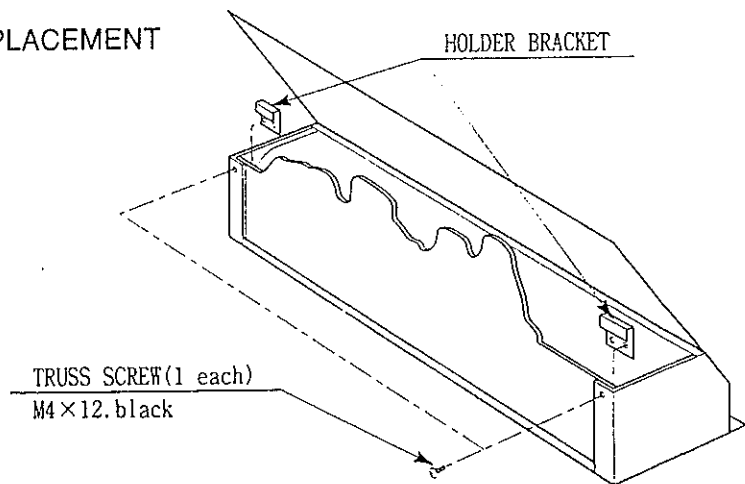


FIG. 13. 1 a

- ③ Pull out Billboard Plate F upward.

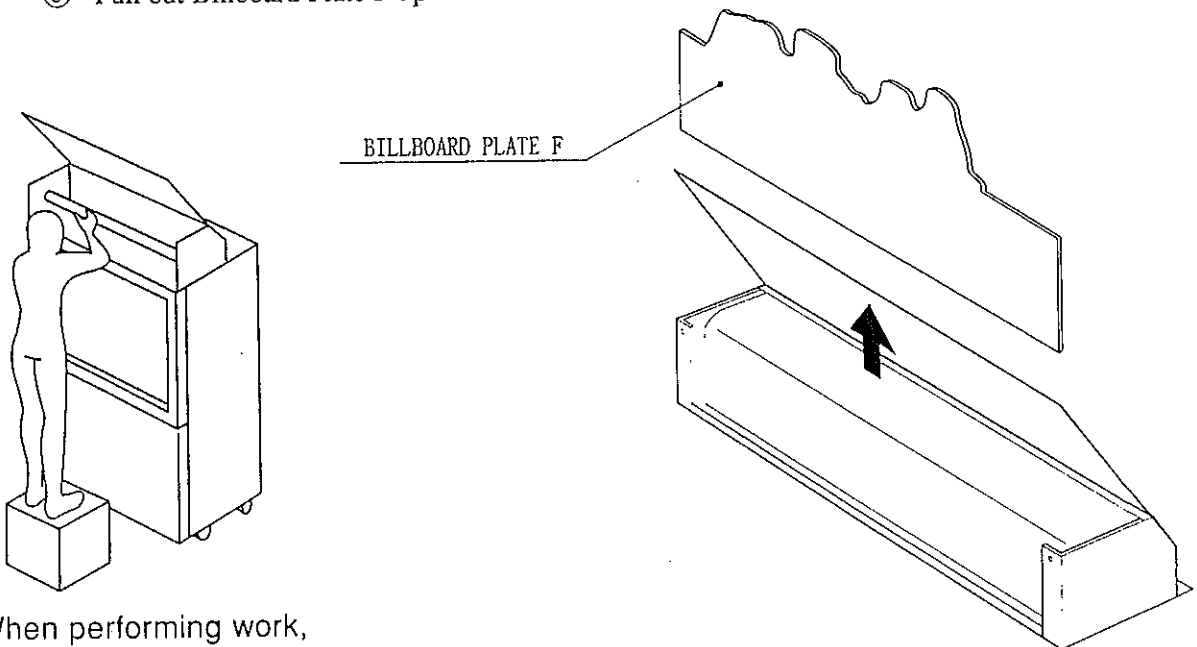


FIG. 13. 1 b

When performing work, prepare a step.

- ④ Take out the 6 screws and remove the Light Cover.

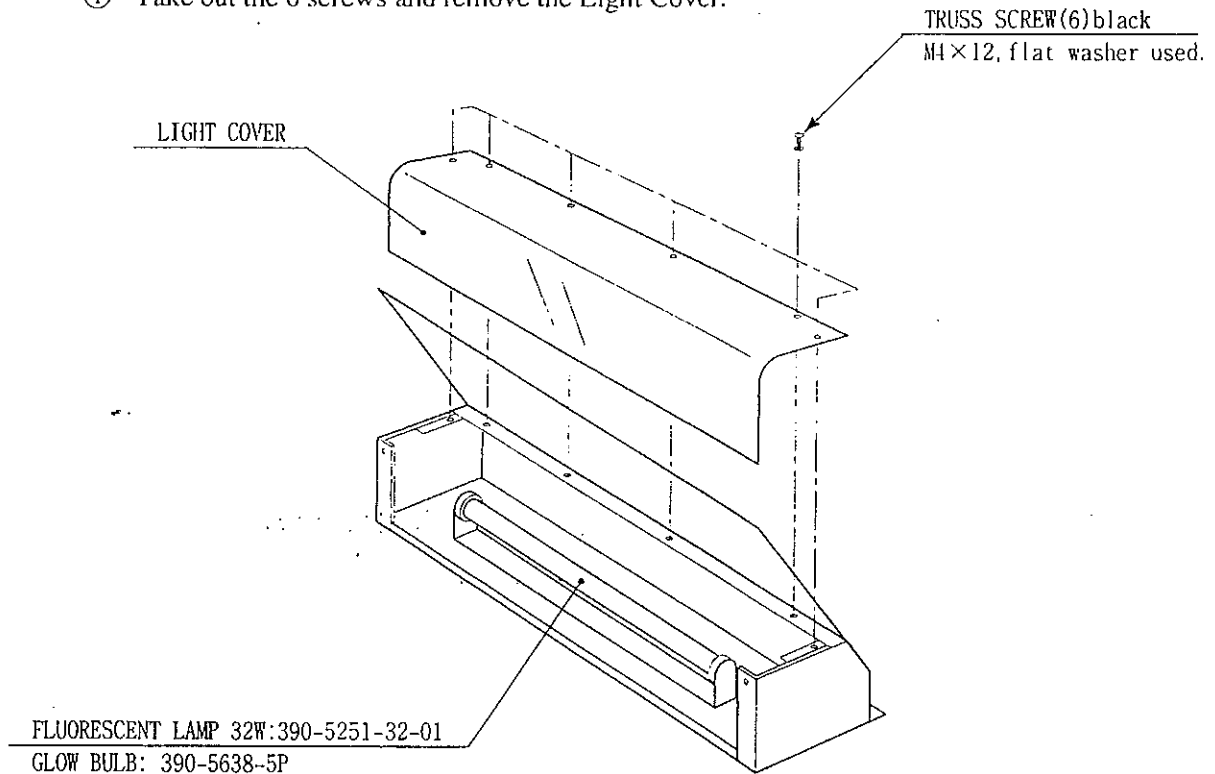


FIG. 13. 1 c

13 — 2 LAMP REPLACEMENT

- ① Take out the 8 screws and remove Control Panel DX.
- ② Hold both sides of the switch portion with fingers and pull out from the button's base portion. At this time, be careful so as not to damage the wiring connected to the switch.
- ③ The lamp is positioned at the end of the switch portion. Pull out the lamp straight without turning it.

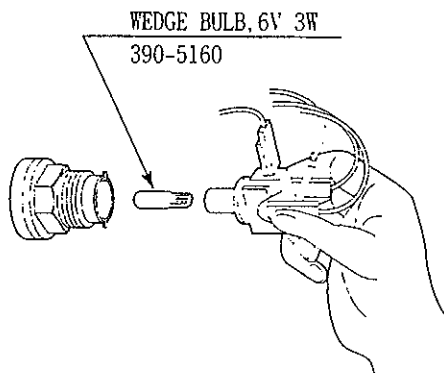


FIG. 13. 2 b

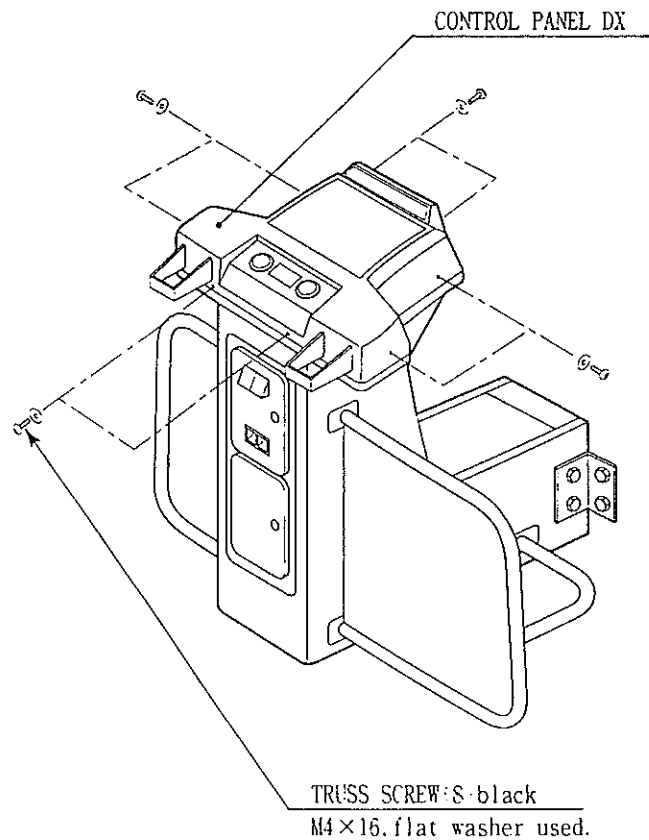


FIG. 13. 2 a

14. PERIODIC INSPECTION TABLE

The items listed below require periodic check and maintenance to retain the performance of this machine and to ensure safe business operation.

When handling the controller, the player will be in direct contact with it. In order to always allow the player to enjoy the game, be sure to clean it regularly. Also, it is advisable to provide wet tissue, etc. available for player use.



- Be sure to check once a year to see if Power Cords are damaged, the plug is securely inserted, dust is accumulated between the Socket Outlet and the Power Plug, etc. Using the product with dust as is accumulated can cause fire and electric shock hazards.
- Periodically once a year, request the place of contact herein stated or the Distributor, etc. where the product was purchased from, as regards the internal cleaning. Using the product with dust as is accumulated in the interior without cleaning can cause a fire or accident. Note that cleaning the interior parts can be performed on a pay-basis.

TABLE 14

	Item	Interval	Reference
CABINET	Check Adjusters' contact with surface.	Daily	3
CONTROLLER	Cleaning	As necessary	
	Sight check	Weekly	9, 10
	Check SWes.	Monthly	9, 10
COIN CHUTE DOOR	Check COIN SW.	Monthly	9
	Coin insertion test.	Monthly	11
	Cleaning of COIN SELECTOR.	Trimonthly	11
PROJECTOR	SCREEN cleaning.	Weekly	12-1
	Check adjustments.	Monthly or when moving.	6, 9, 12
GAME BD	MEMORY TEST.	Monthly	9
	Check settings.	Monthly	9
INTERIOR	Cleaning	Annually	See above.
POWER SUPPLY PLUG	Inspection and cleaning		
Cabinet surfaces	Cleaning	As necessary.	See below.

CLEANING THE CABINET SURFACES

When the cabinet surfaces are badly soiled, remove stains with a soft cloth dipped in water or diluted (with water) chemical detergent and squeezed dry. To avoid damaging surface finish, do not use such solvents as thinner, benzine, etc. or abrasives, bleaching agent and chemical dustcloth.

15. TROUBLESHOOTING



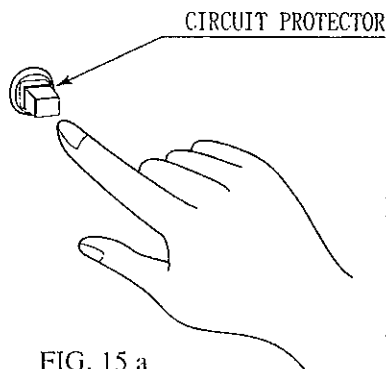
- In order to prevent electric shock and short circuit hazards, be sure to turn power off before performing work.
- Be careful so as not to damage wirings. Damaged wiring can cause electric shock and short circuit hazards.
- After removing the cause of the functioning of the Circuit Protector, reinstate the Circuit Protector. Depending on the cause of the functioning, using the Circuit Protector as is without removing the cause can cause generation of heat and fire hazard.

In case a problem occurs, first check wiring connector connections.

TABLE 15 a

PROBLEMS	CAUSE	COUNTERMEASURES
With Main SW ON, no activation.	Power is not supplied.	Securely insert the power plug into the plug socket.
	Power supply/voltage is not correct.	Make sure that power supply/voltage is correct.
	The Circuit Protector functioned due to the momentary overload.	After eliminating the cause of overload, reinstate the AC Unit's Circuit Protector (see [3], Section 6, Refer to the following).
	The CONNECT BOARD fuse is blown due to the momentary overload.	After eliminating the cause of overload, replace the CONNECT BOARD fuse (see next page). 514-5036-7000 FUSE 6.4 ϕ \times 30 7000mA 125V
The color on PTV screen is incorrect.	Image adjustment is inappropriate.	Adjust appropriately (see Sec.12).
Color deviation on PTV screen.	Affected by peripheral machines or the building's steel frames.	Perform convergence adjustment (see Sec. 12).
		Change installation direction or position. Move the machine which causes the problem.

CIRCUIT PROTECTOR



Functions due to the activation of bimetal. To restore the function, wait for approximately one minute or longer until the bimetal cools off. (Press the Button.)

FIG. 15 a

TABLE 15 b

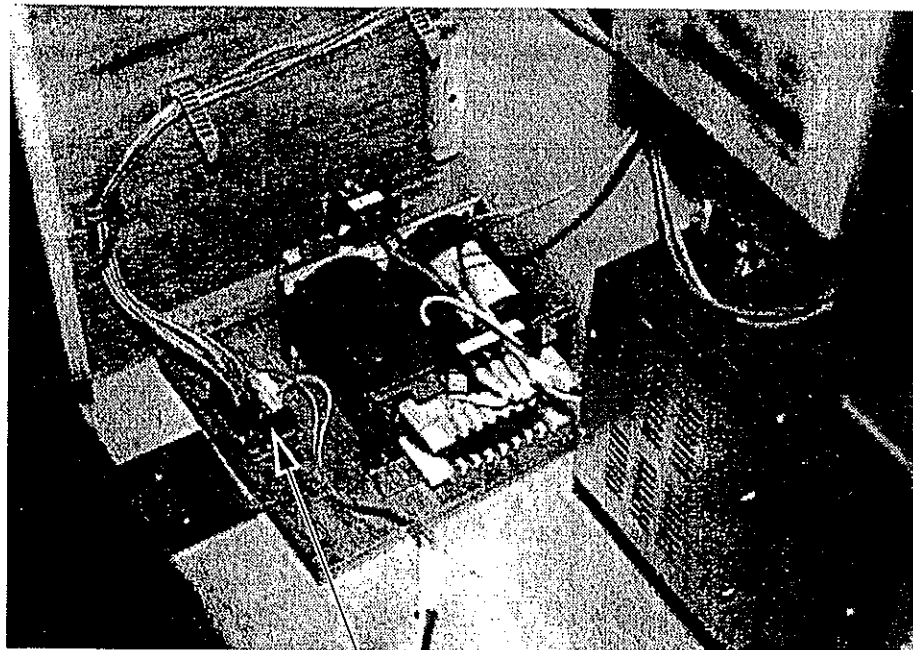
PROBLEMS	CAUSE	COUNTERMEASURES
No sound is emitted.	Sound volume adjustment is not appropriate. Board and Amplifier malfunctioning.	Adjust sound volume (see Sec. 9). Perform the sound test and confirm (see Sec. 9).
Controller sighting is not satisfactory.	Due to environmental changes, etc., sighting became inappropriate. LED BD malfunctioning. Sensor Unit malfunctioning. LED BD, Front Glass, and Mirror are soiled.	Perform sighting adjustment in the test mode (see Sec. 9). Check to ensure that the LED lights up. If it does not light up, replace (see next page). Replace the Sensor Unit (see Sec.10). Wipe off soiled surfaces (see Sec. 14 and next page).
During game play, the Controller is not operable for shooting.	Malfunctioning of microswitch. Malfunctioning of LED BD. Malfunctioning of Sensor Unit.	Check for ON and OFF in the INPUT test and if it is not functioning, replace the microswitch (see Sec.10). Check if the LED is lit, and if it is not lit, replace (see next page). Replace the Sensor Unit.
The Fluorescent lamp does not light up.	The Fluorescent tube is burnt out.	Replace the Fluorescent tube (see Sct. 13).
The Lamp does not light up.	Lamp malfunctioning.	Replace the Lamp (see Sec. 13).

REPLACEMENT OF FUSE



- In case fuse replacements other than those stated in this manual are necessary, contact where you purchased the product from for inquiries regarding this matter.
- Fuse replacements other than those specified can cause hazards and are strictly forbidden.
- In order to prevent an electric shock, be sure to turn power off and unplug from the socket outlet before performing work by touching the internal parts of the product.
- Be careful so as not to damage wirings. Damaged wiring can cause electric shock and short circuit hazards.
- Be sure to use fuses meeting specified rating. Using fuses exceeding the specified rating can cause fire and electric shock hazards.
- After eliminating the cause of the blowing of fuse, replace the fuse. Depending on the cause of fuse blowing, continued use with the fuse as is blown can cause generation of heat and fire hazard.

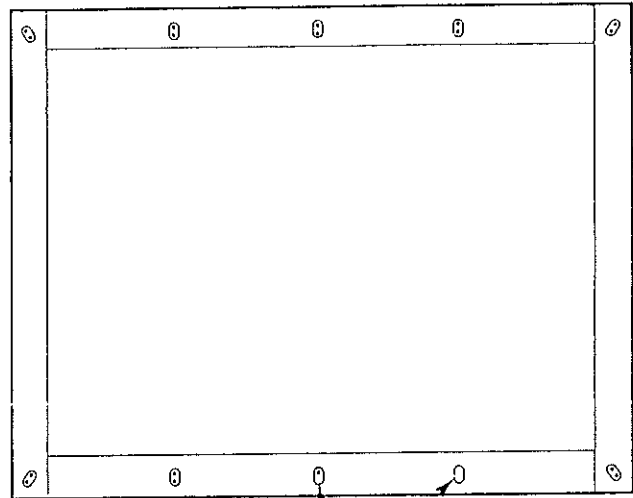
By referring to **2** Section 6, remove Front Lid U & Front Lid L of Cabinet DX, and replace the fuse.



FUSE 125V 7A
514-5036-7000

REPLACEMENT OF LED BD

In case two of LED's do not emit light, failure and malfunctioning may be considered. Replace in the following procedure. When removing surface soils, also use the following procedure.



If light emission from the 2 LED's can not be seen, replace.

FIG. 15 b

- ① Turn off power.
- ② By referring to [2], Section 6, demount the PTV from Cabinet DX.
- ③ By referring to [1], Section 6, remove the Mask from the PTV.
- ④ The Mask has the LED Board. Disconnect the Connectors from both ends of LED Board, remove 2 U Nuts, take out and replace the LED Board.

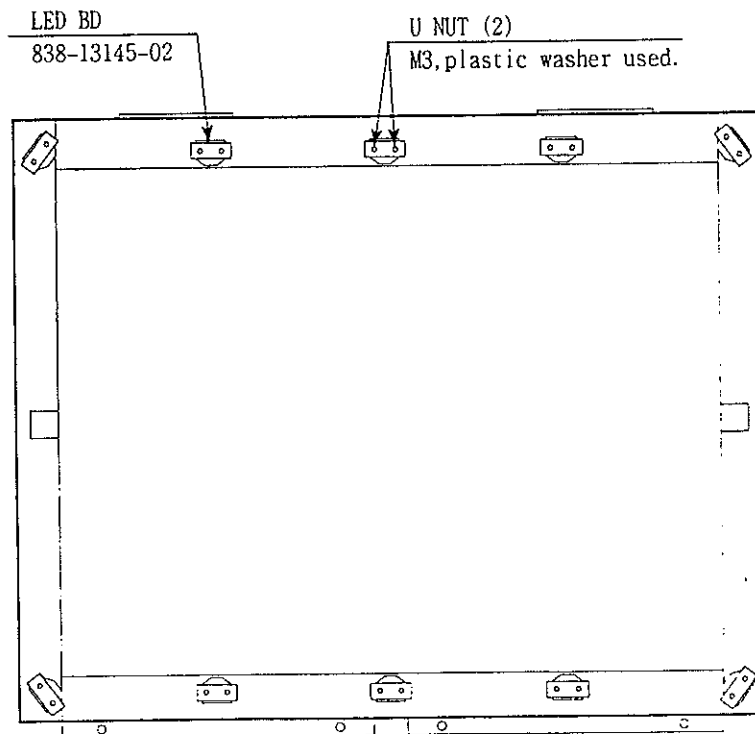


FIG. 15 c

16. GAME BOARD



WARNING!

- In order to prevent electric shock and short circuit hazards, be sure to turn power off before performing work.
- Be careful so as not to damage wirings. Damaged wiring can cause fire, electric shock and short circuit hazards.
- Do not expose the Game BD, etc. without a good reason. Failure to observe this can cause electric shock hazard or malfunctioning.



CAUTION!

The electronic parts on the IC Board may be damaged due to human body's static electricity. Before performing IC Board related work, be sure to discharge physically accumulated statics by touching grounded metallic surfaces, etc.

16-1 TAKING OUT THE GAME BOARD

- ① Turn off power.
- ② By referring to 2, Section 6, remove Front Lid U & Front Lid L.
- ③ Disconnect all of the Connectors connected to ASSY MAIN BASE.
- ④ Take out 2 WING BOLTS and remove ASSY MAIN BASE together with Shield Case as is mounted.
- ⑤ Take out the 2 screws, remove Shield Case Lid and replace the Game Board.

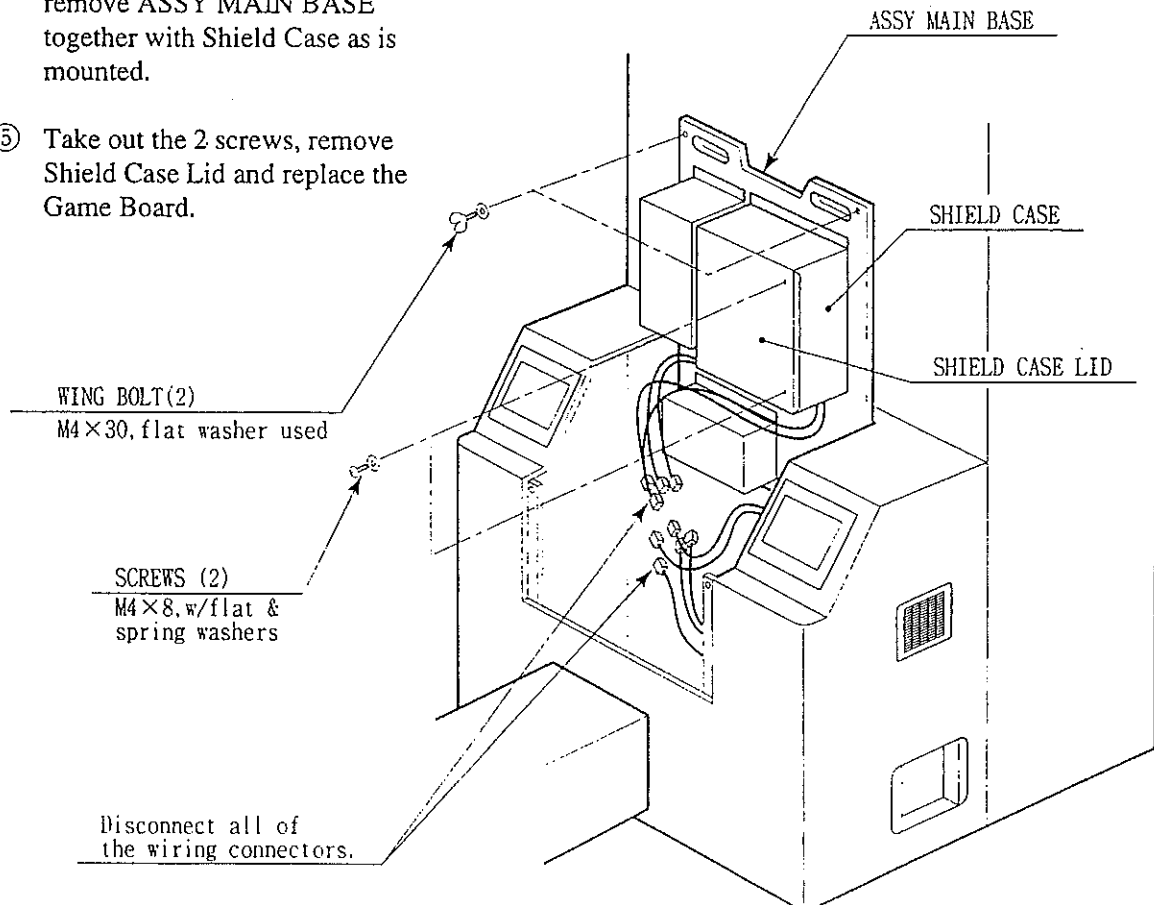


FIG. 16.1

16 - 2 COMPOSITION OF GAME BOARD

GAME BD HOD USA (833-13635-01):For USA
GAME BD HOD EXP (833-13635-02):For OTHERS
GAME BD HOD KOR (833-13635-03):For KOREA
GAME BD HOD AUS (833-13635-04):For AUSTRALIA

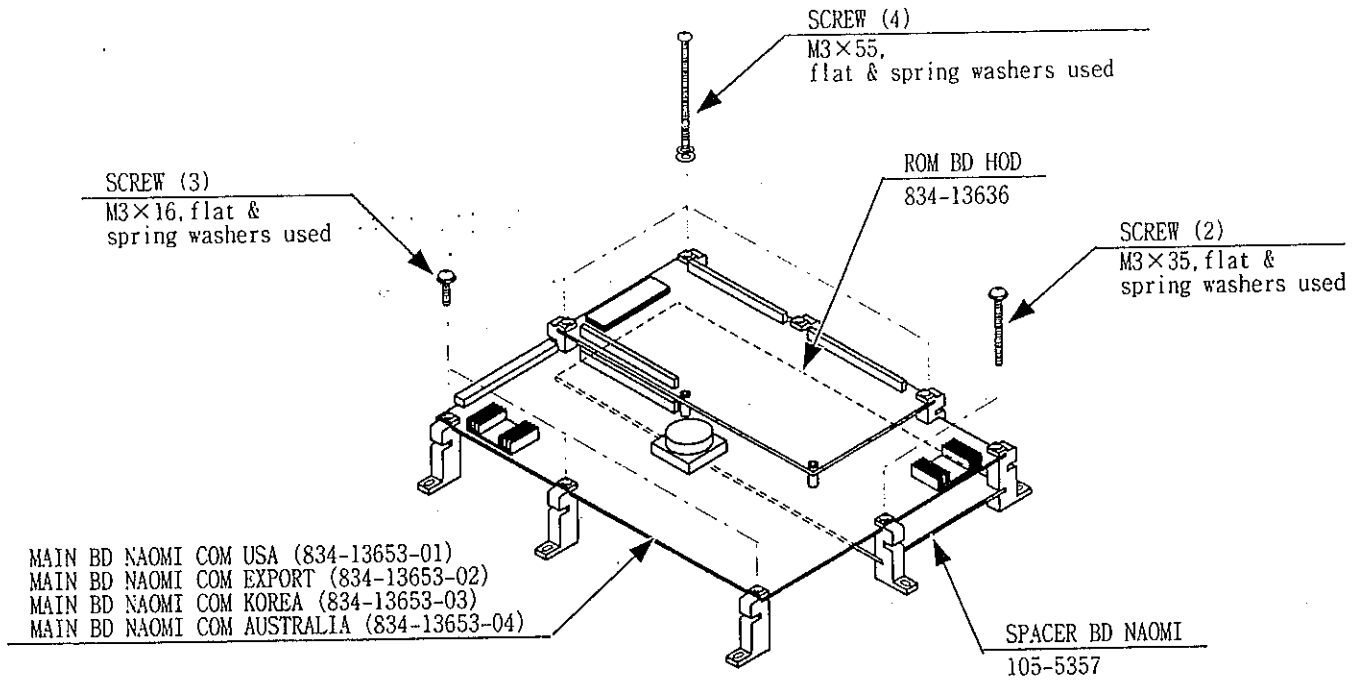
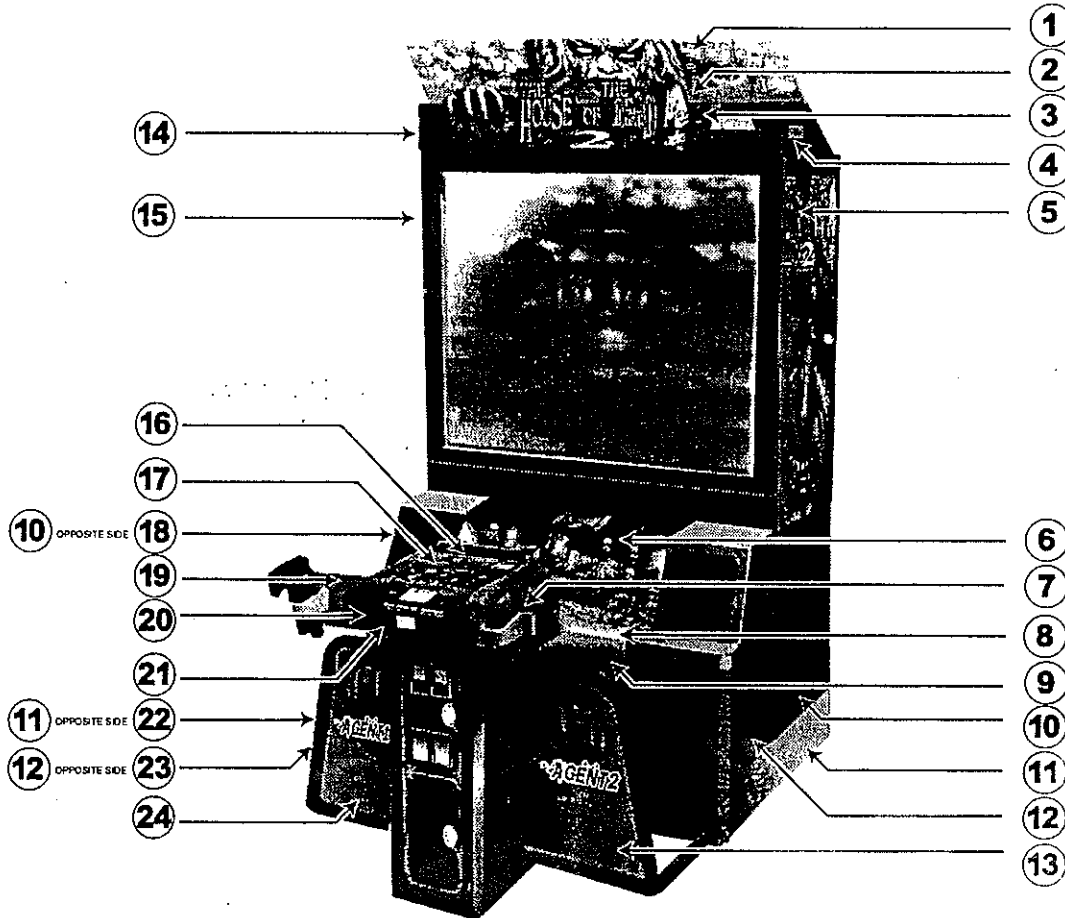


FIG. 16. 2

17. DESIGN RELATED PARTS

For the Warning Display stickers, refer to Section 1.

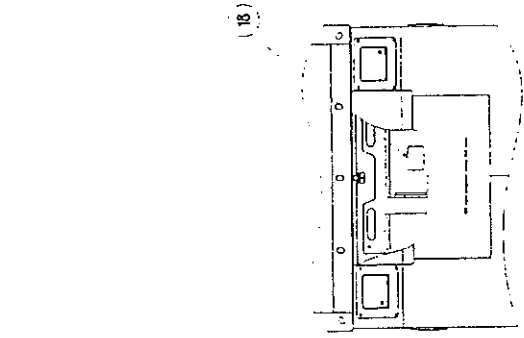


- | | | |
|---|---|---|
| ① HOD-1203
BILLBOARD PLATE R | ⑪ HOD-1002-D
STICKER CABI LOW HOD DX | ⑳ HOD-2001-E
BUTTON SHEET HOD DX |
| ② HOD-1204
LIGHT COVER | ⑫ HOD-1002-C
STICKER CABI R HOD DX | |
| ③ HOD-1202
BILLBOARD PLATE F | ⑬ HOD-1362
GUARD PLATE R | ㉑ HOD-2003
DENOMI PLATE HOD |
| ④ 421-10007
STICKER SEGA HOD | ⑭ 421-10007
STICKER SEGA HOD | ㉒ HOD-1002-D
STICKER CABI LOW HOD DX |
| ⑤ 421-10004
STICKER PTV SIDE UP R HOD | ⑮ 421-10003
STICKER PTV SIDE UP L HOD | ㉓ HOD-1002-B
STICKER CABI L HOD DX |
| ⑥ HOD-1051-B
STICKER FRONT LID U HOD DX | ⑯ HOD-2001-B
STICKER CONT PNL TOP HOD DX | ㉔ HOD-1352
GUARD PLATE L |
| ⑦ HOD-2001-D
STICKER AGENT 2 HOD DX | ⑰ HOD-2002-01
INST PLATE HOD DX ENG | |
| ⑧ HOD-1062-B
STICKER FRONT LID BRKT HOD DX | ⑱ 421-10006
STICKER PTV SIDE LOW R HOD | |
| ⑨ HOD-1061-B
STICKER FRONT LID L HOD DX | ㉑ HOD-2001-C
STICKER AGENT 1 HOD DX | |
| ⑩ 421-10005
STICKER PTV SIDE LOW L HOD | ㉒ HOD-2001-E
BUTTON SHEET HOD DX | |

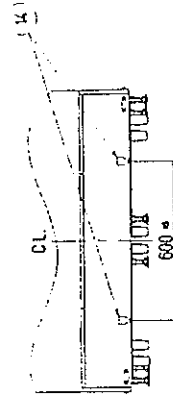
18. PARTS LIST

① TOP ASSY HOD DX

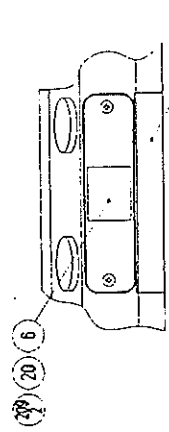
(D-1/2)



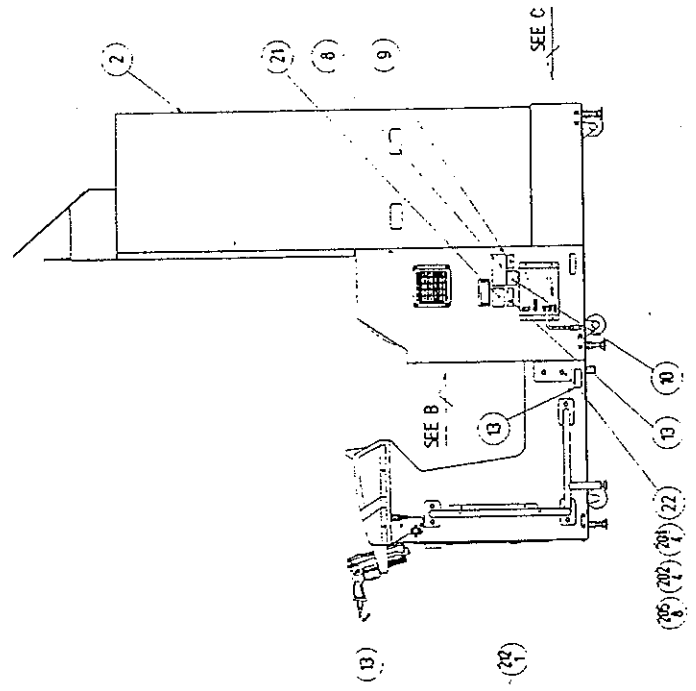
SEE B



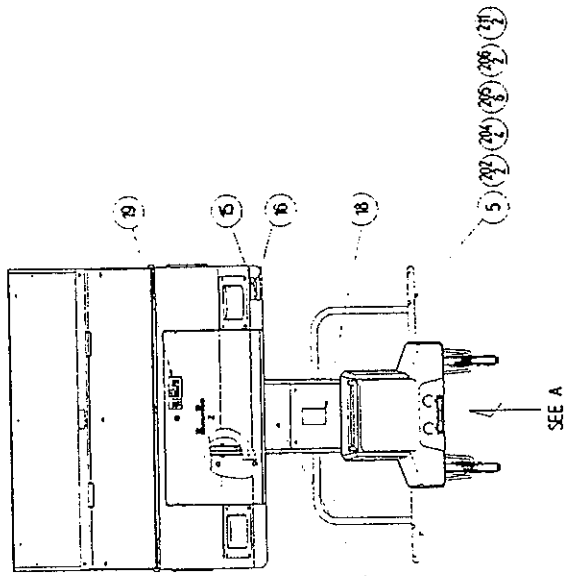
SEE C



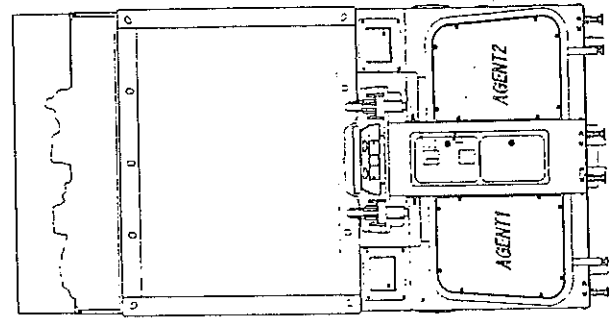
SEE A



SEE C



SEE A



20, 21, 22, 23, 24
25, 26, 27, 28, 29, 30, 31, 32, 33, 34, 35, 36, 37, 38, 39, 40, 41, 42, 43, 44, 45, 46, 47, 48, 49, 50, 51, 52, 53, 54, 55, 56, 57, 58, 59, 60, 61, 62, 63, 64, 65, 66, 67, 68, 69, 70, 71, 72, 73, 74, 75, 76, 77, 78, 79, 80, 81, 82, 83, 84, 85, 86, 87, 88, 89, 90, 91, 92, 93, 94, 95, 96, 97, 98, 99, 100

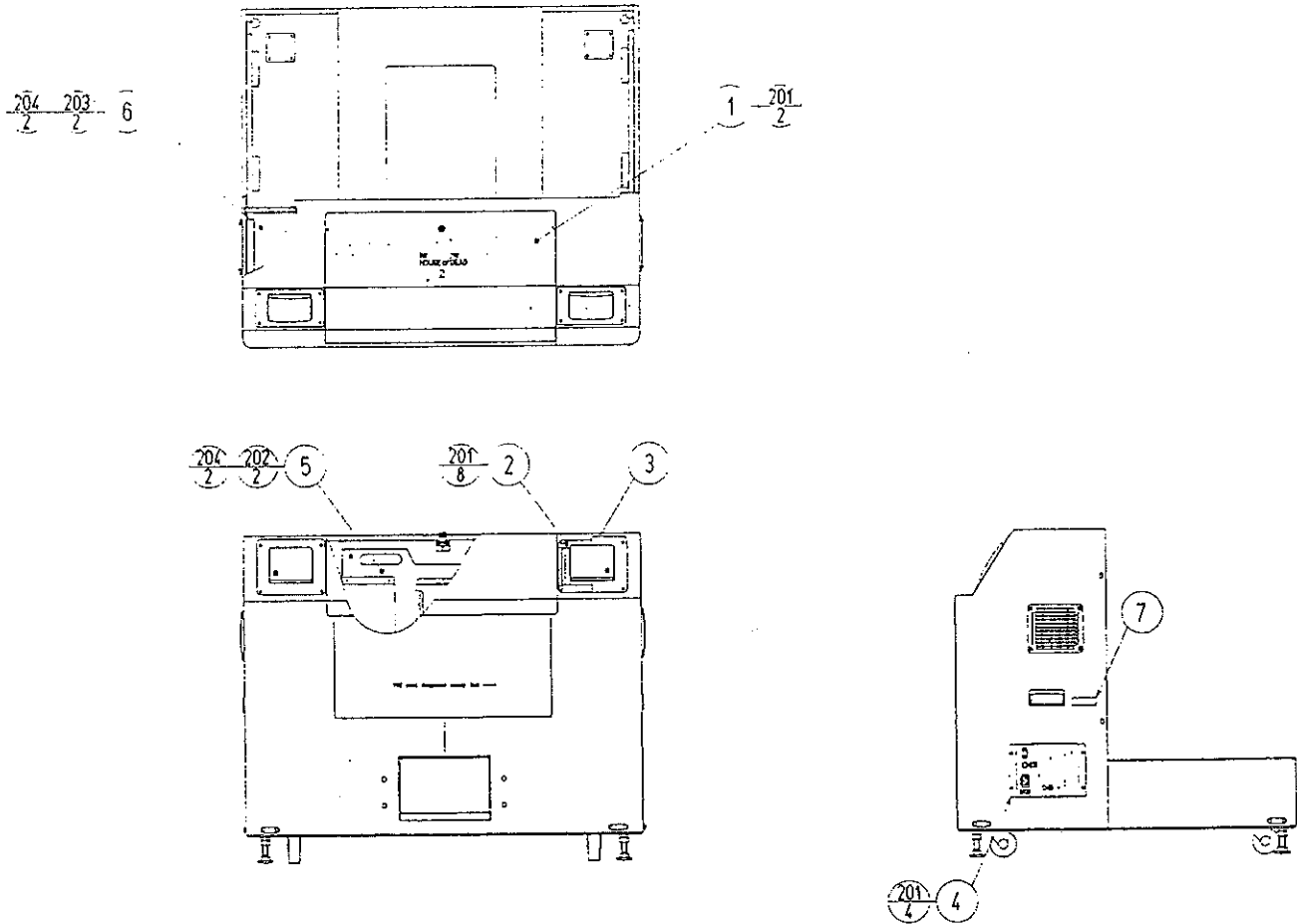
20, 21, 22, 23, 24

① TOP ASSY HOD DX

(D-2/2)

ITEM NO.	PART NO.	DESCRIPTION	NOTE
1	HOD-1000	ASSY CABINET DX	
2	HOD-1100	ASSY PTV	
3	HOD-1300	ASSY GUN HOLDER CABI	
4	HOD-1350	ASSY FENCE L	
5	HOD-1360	ASSY FENCE R	
6	421-7308- ~	DENOMINATION SHEET 1GAME ~	
11	SGM-4346	POLY COVER 1200 × 1200 × 1300	
12	SGM-4426	POLY COVER 800 × 750 × 900	
14	421-8885	STICKER CAUTION FORK	
17	421-8479-01	STICKER INSTR SUNLIGHT ENG	
18	440-WS0002XEG	STICKER W POWER OFF ENG	
19	440-WS0033XEG	STICKER W BD POWER OFF ENG	
20	HOD-2003	DENOMI PLATE HOD	
22	HOD-0006	L BRKT.	
201	030-000840-SB	HEX BLT W/S BLK M8 × 40	
202	030-000850-SB	HEX BLT W/S BLK M8 × 50	
204	030-000830-SB	HEX BLT W/S BLK M8 × 30	
205	068-852216-OB	FLT WSHR BLK 8.5-22 × 1.6	
206	000-T00416-OB	M SCR TH BLK M4 × 16	
207	000-T00530-OB	M SCR TH BLK M5 × 30	
208	068-552016-OB	FLT WSHR BLK 5.5-20 × 1.6	
209	000-T00416-OC	M SCR TH CRM M4 × 16	
210	030-000860-SB	HEX BLT W/S BLK M8 × 60	
211	068-441616-OB	FLT WSHR BLK 4.4-16 × 1.6	
212	008-T00412-OB	TMP PRF SCR TH BLK M4 × 12	
401	601-6604-70	CARTON BOX 70	
402	SGM-2675	POLYETHYLENE BAG 240 × 370	
403	420-6428-03	OWNERS MANUAL HOD DX ENG	
405	390-5160	LAMP WG B TYPE 6V 3W	
406	509-5080	SW MICRO TYPE	
407	600-6724	AC CABLE CONNECT TYPE 15A	} TAIWAN } USA } OTHERS
	600-6729	AC CABLE CONNECT TYPE 15A	
	600-6695	AC CABLE CONNECT TYPE USA 15A	
	600-6695-01	AC CABLE CONNECT TYPE USA 15A	
	600-6618	AC CABLE CONNECT TYPE FOR EXP	
408	SGM-4111	KEY BAG (SGB-1035X)	
409	220-5576	KEY MASTER FOR 220-5575	
411	514-5036-7000	FUSE 6.4 × 30 7000MA 125V	
412	280-5009-01	CORD CLAMP 21	
413	HOD-60040	WIRE HARN FREQ. CHANGE	
/	GPD-0002X	SHIPPING BRKT	
/	421-8740	CAUTION INSTR COP U/R	
/	421-6690-06	STICKER 110V	AC 110V AREA
/	421-6690-03	STICKER 220V	AC 220V AREA
/	421-6690-05	STICKER 240V	AC 240V AREA
/	421-6690-01	STICKER 120V	AC 120V AREA
/	421-6119-91	STICKER FCC	USA
/	421-6120-91	STICKER SEGA USA	USA

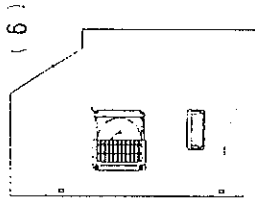
② ASSY CABINET DX (HOD-1000)



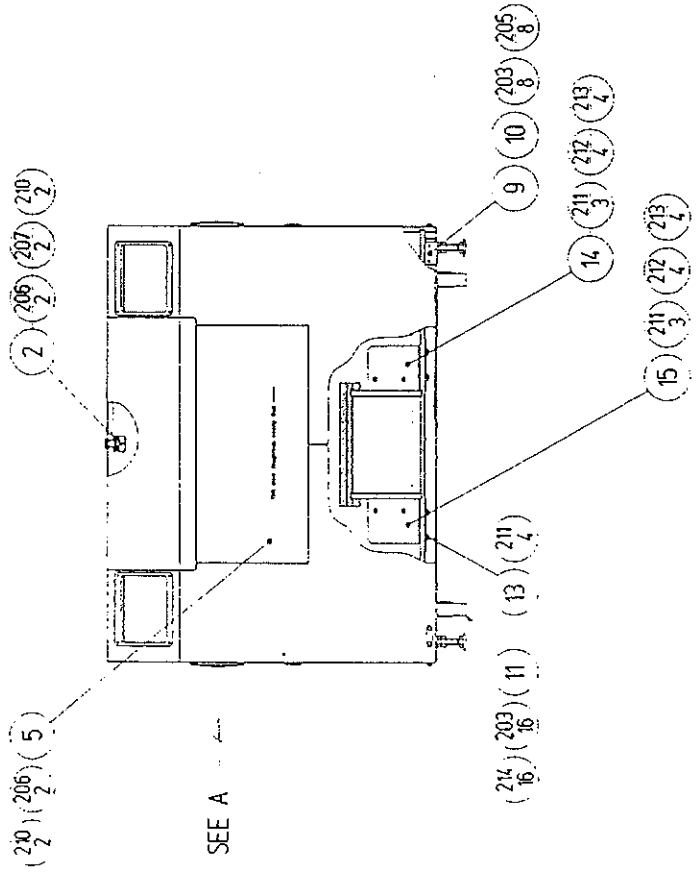
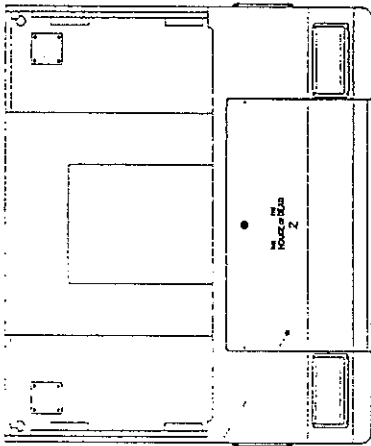
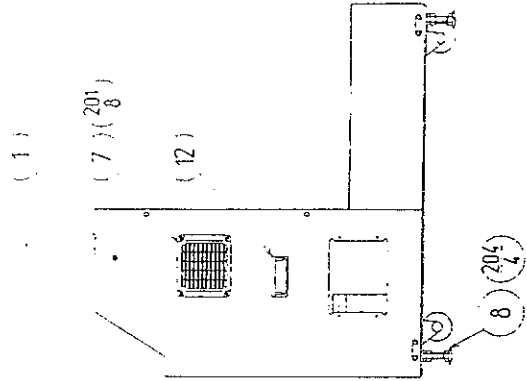
ITEM NO.	PART NO.	DESCRIPTION	NOTE
1	HOD-1001	ASSY SUB-CABI DX	
2	HOD-1070	ASSY SPEAKER	
3	HOD-1005	SPEAKER COVER	
4	HOD-1020	AC UNIT	
5	HOD-4000	ASSY MAIN BD	
6	HOD-4190	ASSY PWR SPLY	
201	000-T00420-0B	M SCR TH BLK M4 x 20	
202	0S2-000530	WING BLT MF x 30	
203	000-P00530-S	M SCR PH W S M5 x 30	
204	068-552016	FLT WSHR 5.5-20 x 1.6	

③ ASSY SUB-CABI DX (HOD-1001)

(D-1/2)



SEE A



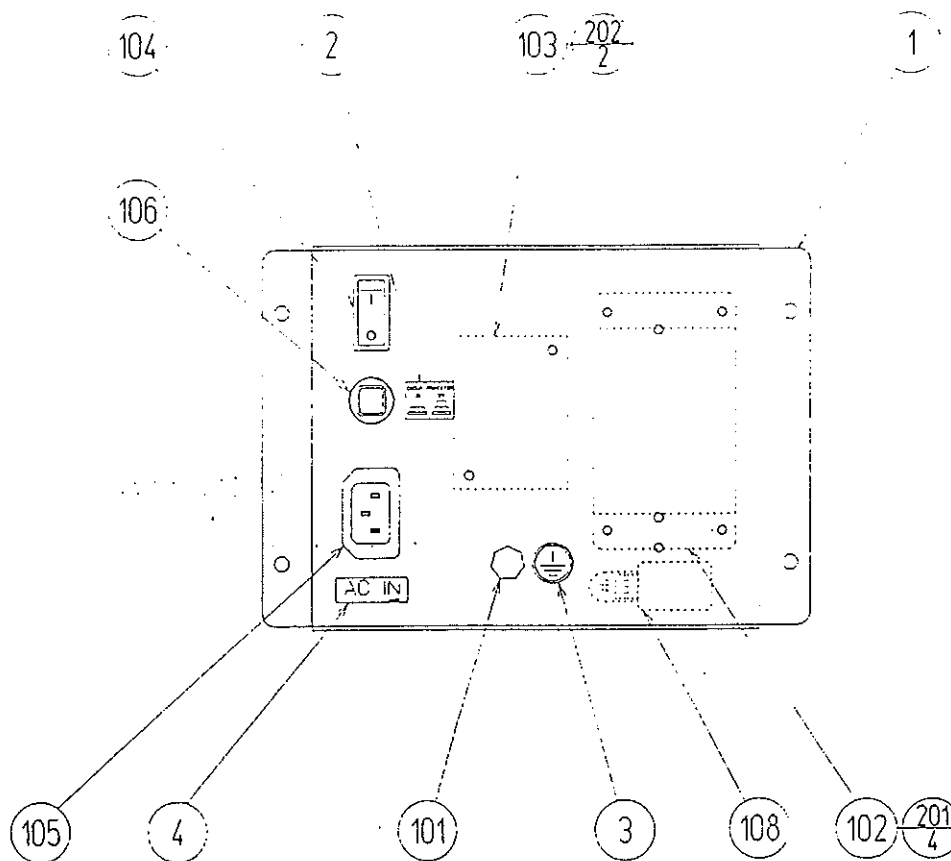
SEE A

③ ASSY SUB-CABI DX (HOD-1001)

(D-2/2)

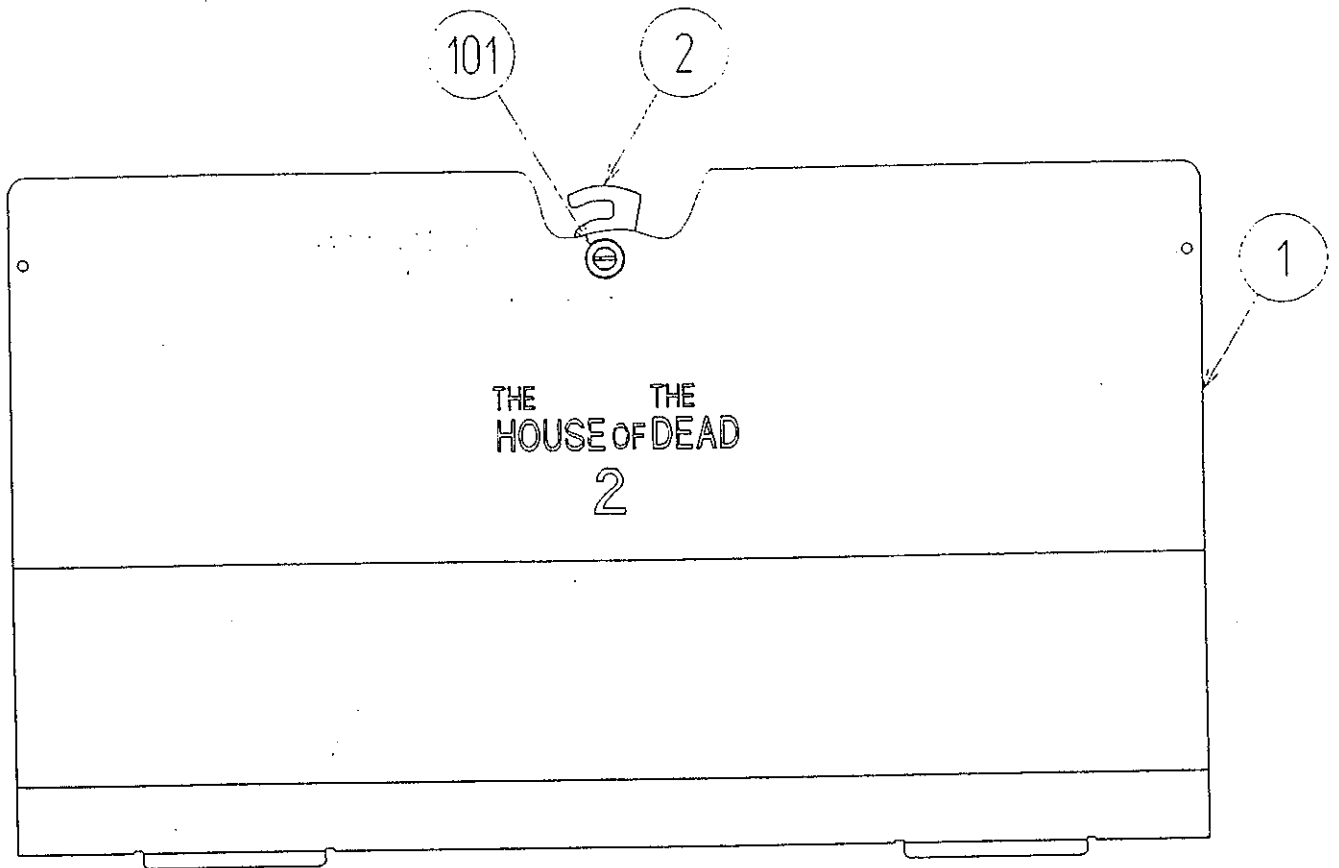
ITEM NO.	PART NO.	DESCRIPTION	NOTE
1	HOD-1002	FRONT CABINET	
2	HOD-1003	LOCKING BRKT HOD	
4	HOD-1050	ASSY FRONT LID U	
5	HOD-1060	ASSY FRONT LID L	
6	HOD-1530	FAN UNIT	
7	253-5460-01	AIR VENT BLACK	
8	601-5699X	LEG ADJUSTER BOLT M16 × 75	
9	ARC-1006	LEG BRACKET	
10	117-5233	PLATE LEG BRACKET BLACK	
11	601-9377	CASTER FAI=75	
12	253-5396-91	CABINET HANDLE	
13	HOD-1006	NUT PLATE LOW	
14	HOD-1007	JOINT BRKT R	
15	HOD-1008	JOINT BRKT L	
101	280-5009-01	CORD CLAMP 21	
102	280-0419	HARNESS LUG	
103	601-0460	PLASTIC TIE BELT 100 MM	
201	000-T00420-0B	M SCR TH BLK M4 × 20	
203	030-000630-SB	HEX BLT BLK W/S M6 × 30	
204	050-H01600	HEX NUT M16	
205	030-000640-SB	HEX BLT W/S BLK M6 × 40	
206	000-P00425-W	M SCR PH W/FS M4 × 25	
207	050-F00400	FLG NUT M4	
208	011-F00310	TAP SCR FH 3 × 10	
209	011-T03512	TAP SCR TH 3.5 × 12	
210	068-441616-0B	FLT WSHR BLK 4.4-16 × 1.6	
211	011-P00312	TAP SCR PH 3 × 12	
212	030-000830-SB	HEX BLT W/S BLK M8 × 30	
213	060-F00800-0B	FLT WSHR BLK M8	
214	060-F00600	FLT WSHR M6	
301	HOD-60003	WIRE HARN FRONT CABI01	
303	HOD-60010	WIRE HARN FRONT CABI03	
304	HOD-60024	WIRE HARN FRONT CABI04	
305	HOD-60027	WIRE HARN E FRONT CABI01	
306	HOD-60028	WIRE HARN E FRONT CABI02	
307	600-6743-150	ASSY RGB CABLE 150CM	
308	600-7141-200	CABLE JVS TYPE A-B 200CM	

④ AC UNIT (HOD-1020)



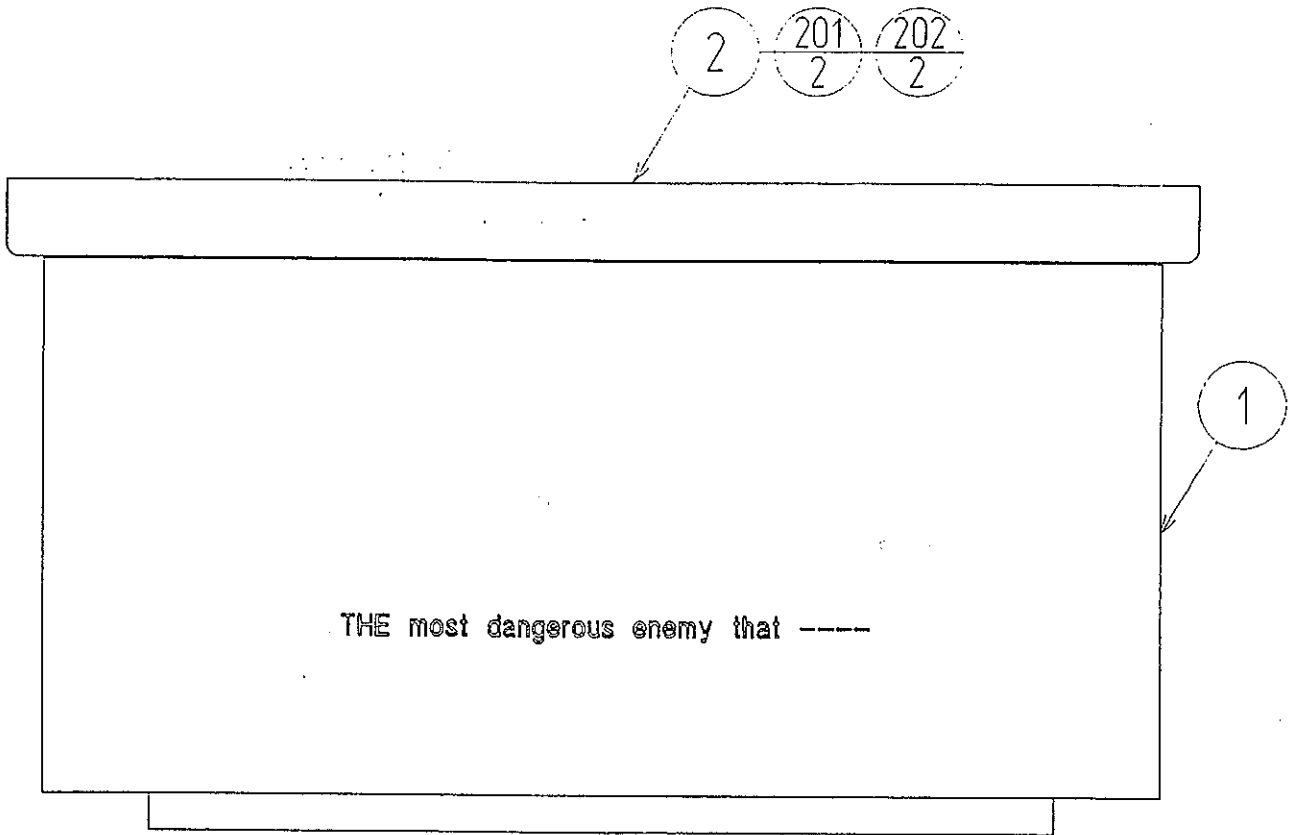
ITEM NO.	PART NO.	DESCRIPTION	NOTE
1	HOD-1021X	AC BRKT	
2	421-7468-02	STICKER C.P W/PIC	
3	421-8202	STICKER EARTH MARK	
4	421-9108	STICKER AC IN	
101	280-0417	TERMINAL BINDING POST BLACK	
102	270-5131	N.F ZRP2210-02 AC250V 10A	OTHERS
	270-5081	NOISE FILTER 20A	TAIWAN
103	450-5126	MAGNET CONTACT S-NIOCX	AC 110V AREA
	450-5135	MAGNET CONTACT S-NIOCX AC 120V	AC 120V AREA
	450-5133	MAGNET CONTACT S-NIOCX AC 200V	AC 220V 60Hz AREA
	450-5134	MAGNET CONTACT S-NIOCX AC 230V	AC 220V 50Hz AREA, AC 240V AREA
104	509-5453-V-B	SW ROCKER J8 V-B	
105	214-0202	AC INLET PANEL TYPE	
106	512-5046-10000	C.P 10000MA CE UL	AC110V ~ 120V AREA
	512-5046-5000	C.P 5000MA CE UL	AC220V ~ 240V AREA
107	310-5029-G20	SUMITUBE F G 20MM	
108	280-5009-01	CORD CLAMP 21	
109	601-0460	PLASTIC TIE BELT 100 MM	
110	280-5275-SR10	CORD CLAMP SR10	
201	000-P0040S-W	M SCR PH W/FS M4 x 8	
202	000-P0041S-W	M SCR PH W/FS M4 x 16	
301	HOD-60023	WIRE HARX AC UNIT IN	
302	600-6911-048	WIRE HARX AC UNIT SW	
303	600-6911-049	WIRE HARX AC UNIT NOISE FILTER	
304	600-6911-050	WIRE HARX AC UNIT OUT	

⑤ ASSY FRONT LID U (HOD-1050)



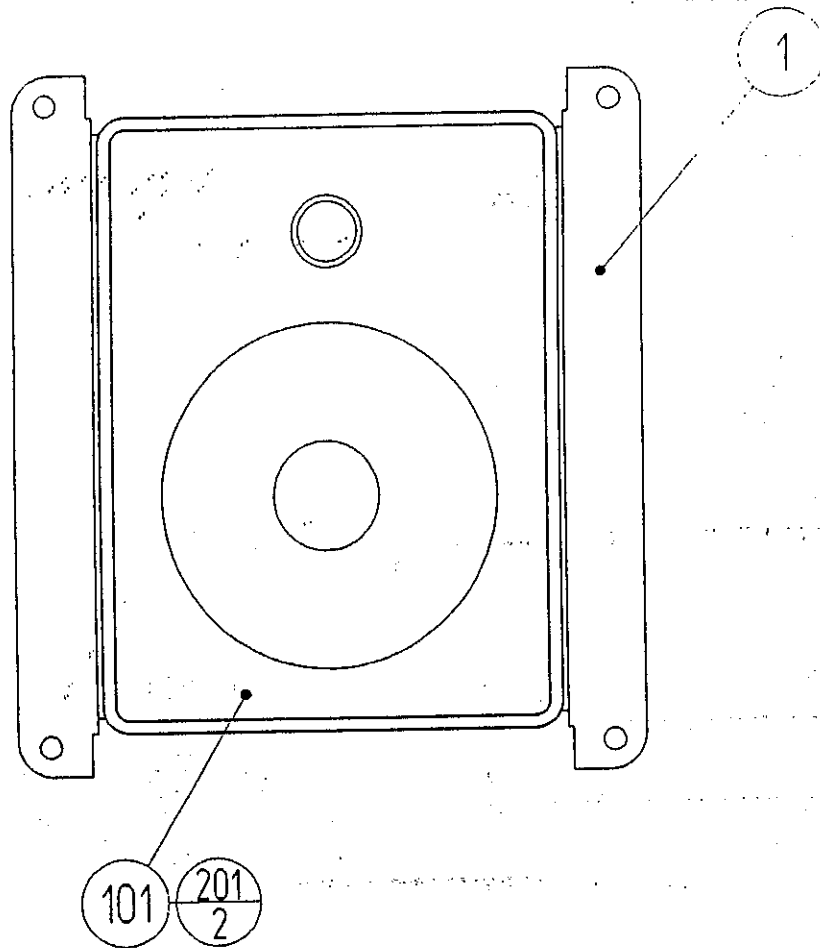
ITEM NO.	PART NO.	DESCRIPTION	NOTE
1	HOD-1050	FRONT LID U	
2	TH-1015	LOCKING TONGUE	
101	220-5575	CAM LOCK MASTER W/O KEY	

⑥ ASSY FRONT LID L (HOD-1060)



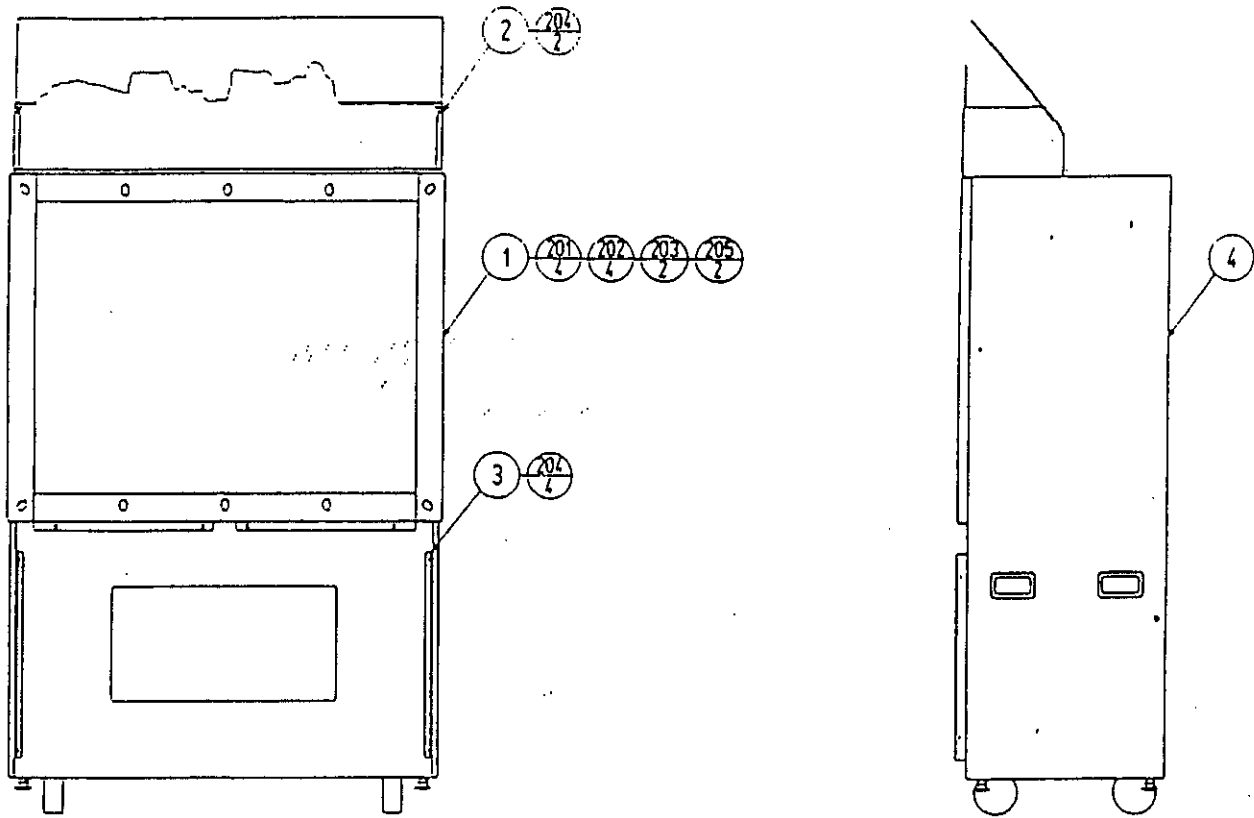
ITEM NO.	PART NO.	DESCRIPTION	NOTE
1	HOD-1061	FRONT LID L	
2	HOD-1052	FRONT LID BRKT	
201	050-F00400	FLG NUT M4	
202	060-F00400	FLT WSHR M4	

⑦ ASSY SPEAKER (HOD-1070)



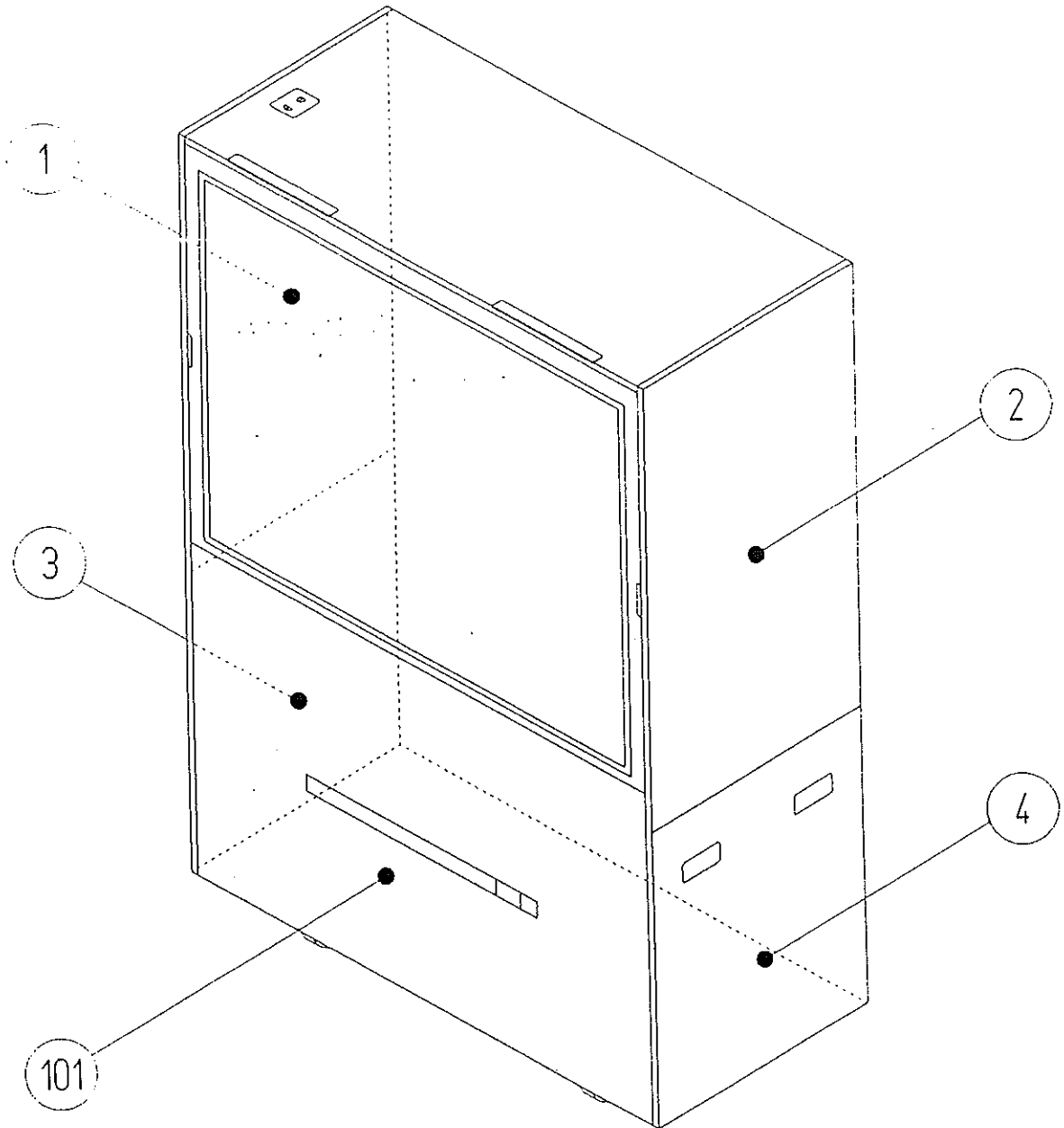
ITEM NO.	PART NO.	DESCRIPTION	NOTE
1	CPT-1061	SPEAKER BRKT	
101	130-5096	ASSY SERVO SPEAKER BOX	
102	280-0425	CORD CLAMP 10	
201	000-P00512-W	M SCR PH W/FS M5 x 12	
301	HOD-60025	WIRE HARNS SPEAKER UNIT	
302	HOD-60026	WIRE HARNS E SPEAKER UNIT	

⑧ ASSY PTV (HOD1-1100)



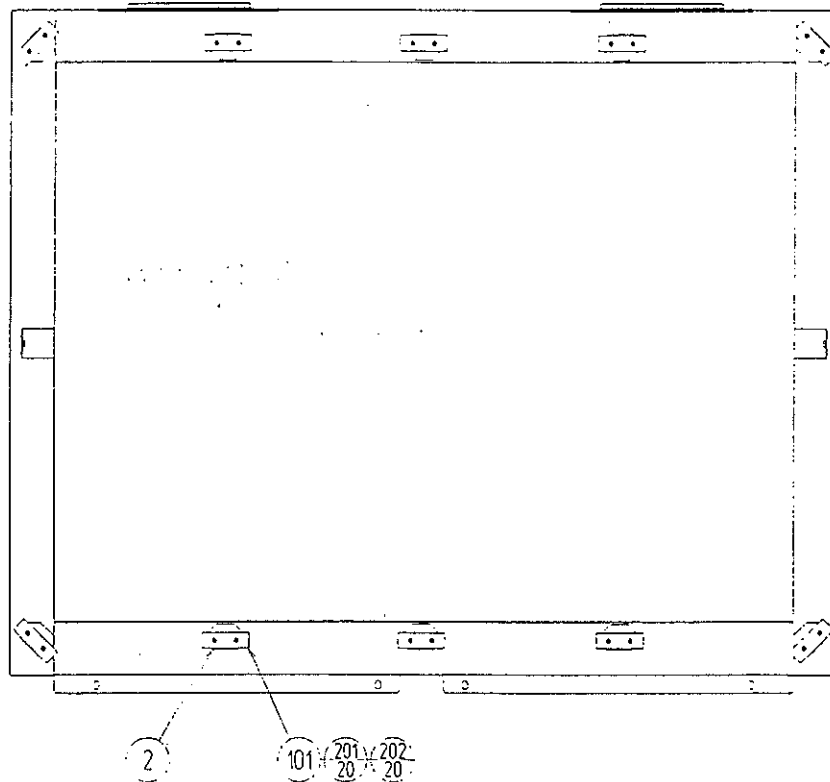
ITEM NO.	PART NO.	DESCRIPTION
1	HOD-1150	ASSY MASK
2	HOD1-1200	ASSY BILLBOARD
3	HOD-1101	PTV HOLDER
4	HOD-1110	PTV W/STICKER HOD DX
201	000-T00520-0B	M SCR TH BLK M5X20
202	000-F00414	M SCR FH M4X14
203	000-T00525-0B	M SCR TH BLK M5X25
204	000-P00516-W	M SCR PH W/FS M5X16
205	068-5526016	FLT WSHR BLK 5.5-20X1.6

⑨ PTV W/STICKER HOD DX (HOD-1110)



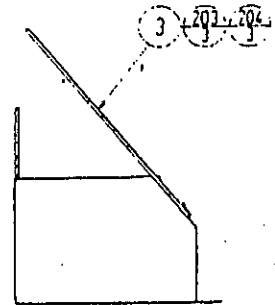
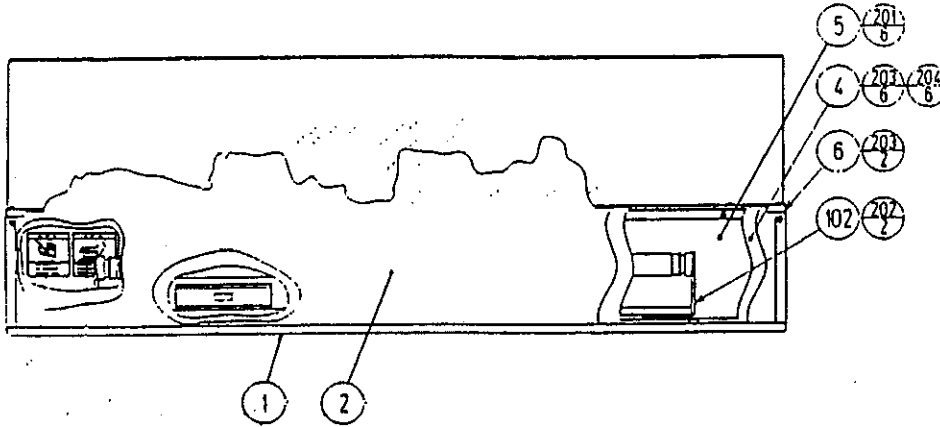
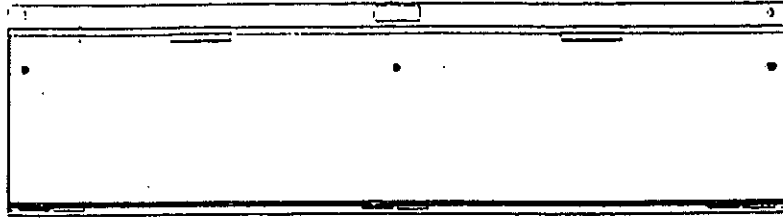
ITEM NO.	PART NO.	DESCRIPTION	NOTE
1	421-10003	STICKER PTV SIDE UP L HOD	
2	421-10004	STICKER PTV SIDE UP R HOD	
3	421-10005	STICKER PTV SIDE LOW L HOD	
4	421-10006	STICKER PTV SIDE LOW R HOD	
101	200-5788-31 200-5789-31	PROJECTION DSPL T 50TYPE 31K PROJECTION DSPL M 50TYPE 31K	

⑩ ASSY MASK (HOD-1150)



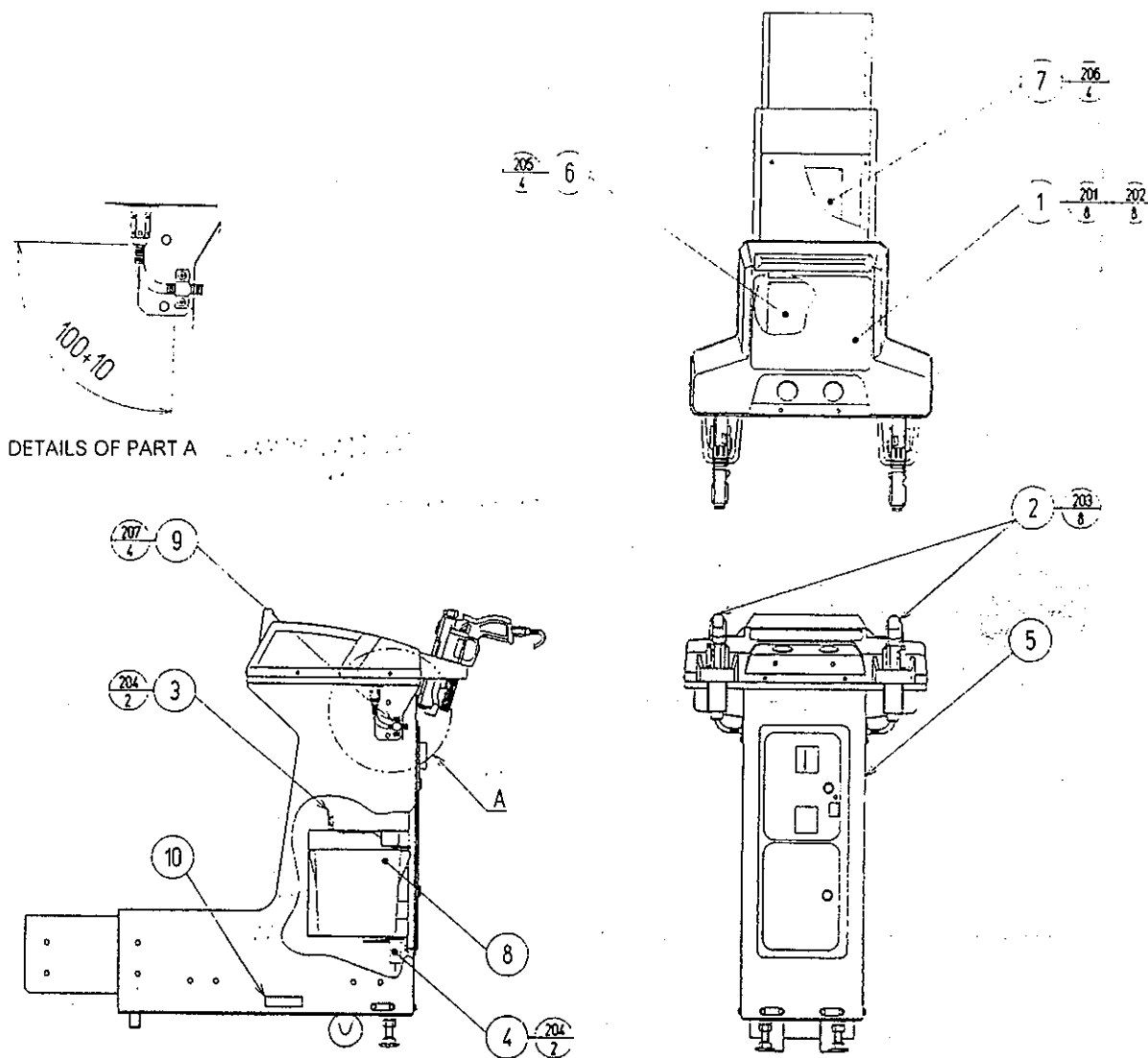
ITEM NO.	PART NO.	DESCRIPTION	NOTE
1	HOD-1151	MASK BASE	
2	JPT-1082	IR COVER	
101	838-13145-02	LED BD GUN SENSE HOD	
102	280-5275-SR10	CORD CLAMP SR10	
103	280-5008	CORD CLAMP 15	
201	050-U00300	U NUT M3	
202	068-330808-PN	FLT WSHR PLASTIC 3.3-8 × 0.8	
203	050-H00400	HEX NUT M4	
204	060-F00400	FLT WSHR M4	
205	060-S00400	SPR WSHR M4	
301	HOD-60011	WIRE HARN MASK01	
303	HOD-60013	WIRE HARN MASK03	
304	HOD-60014	WIRE HARN MASK04	
305	HOD-60035	WIRE HARN E MASK01	

11 ASSY BILLBOARD (HOD1-1200)



ITEM NO.	PART NO.	DESCRIPTION
1	HOD-1201	BILLBOARD BOX
2	HOD-1202	BILLBOARD PLATE F
3	HOD-1203	BILLBOARD PLATE R
4	HOD-1204	LIGHT COVER
5	HOD-1205	REFLECTOR
6	HOD-1206	HOLDER BRKT
102	LOCAL PURCHASE	ASSY FL 20W EX W/CONN HIGH
201	000-T00408-0C	M SCR TH CRM M4X8
202	000-P00416-W	M SCR PH W/FS M4X16
203	000-T00412-0B	M SCR TH BLK M4X12
204	068-441616-0B	FLT WSHR BLK 4.4-16X1.6

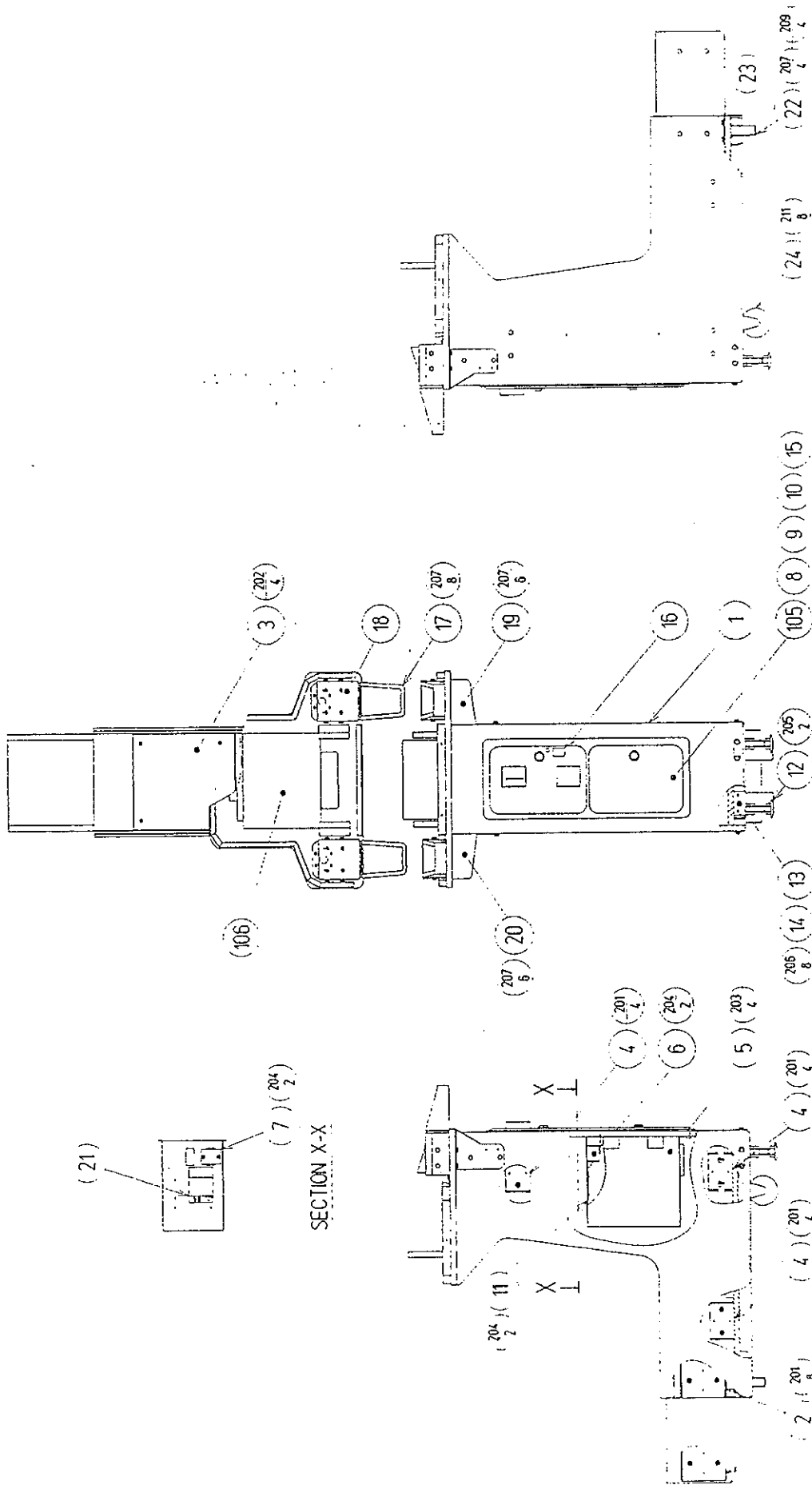
⑫ ASSY GUN HOLDER CABI (HOD-1300)



ITEM NO.	PART NO.	DESCRIPTION	NOTE
1	HOD-2000	ASSY CONT PANEL DX	
2	HOD-2100	CONTROL UNIT DX	
3	HOD-1030	SW UNIT	
4	HOD-1590	METER UNIT	
	HOD-1590-01	METER UNIT TWIN	OTHERS
5	HOD-1301	ASSY SUB-CABI GUN HOLDER	USA
6	838-13143-03	IC BD GUN SENCE HOD	
7	837-13551	I/O CONTROL BD FOR JVS	
8	253-5366	CASH BOX	
9	CPT-1017	CABLE CLAMP	
101	271-5117	FERRITE CORE TDK ZCAT 3035-1330	
201	000-T00416-0B	M SCR TH BLK M4 × 16	
202	068-441616-0B	FLT WSHR BLK 4.4-16 × 1.6	
203	000-T00430-0C	M SCR TH CRM M4 × 30	
204	000-P00410-W	M SCR PH W FS M4 × 10	
206	011-P00325	TAP SCR PH 3 × 25	
207	000-T00416-0C	M SCR TH CRM M4 × 16	

13 ASSY SUB-CABI GUN HOLDER (HOD-1301)

(D-1/2)

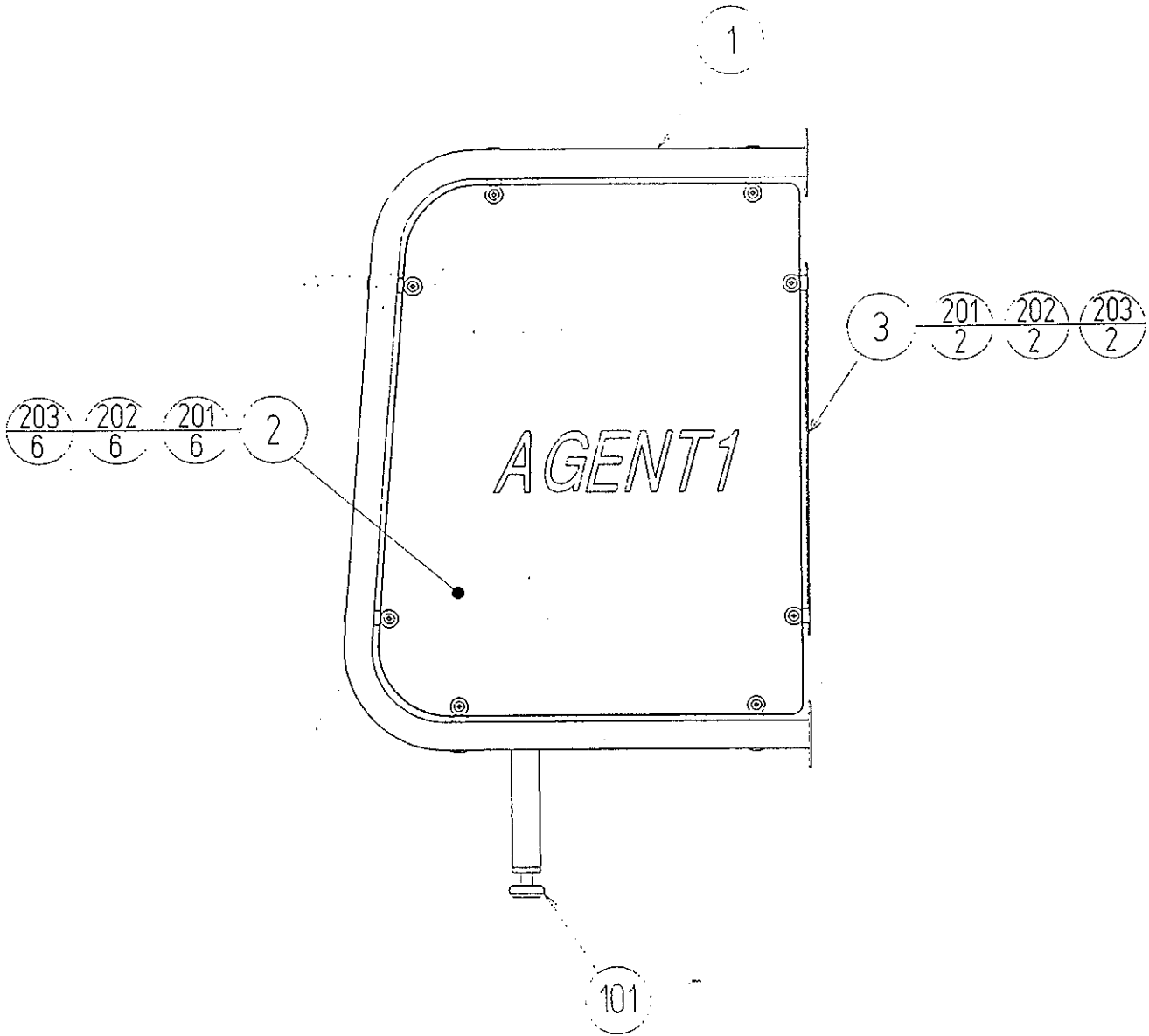


⑬ ASSY SUB-CABI GUN HOLDER (HOD-1301)

(D-2/2)

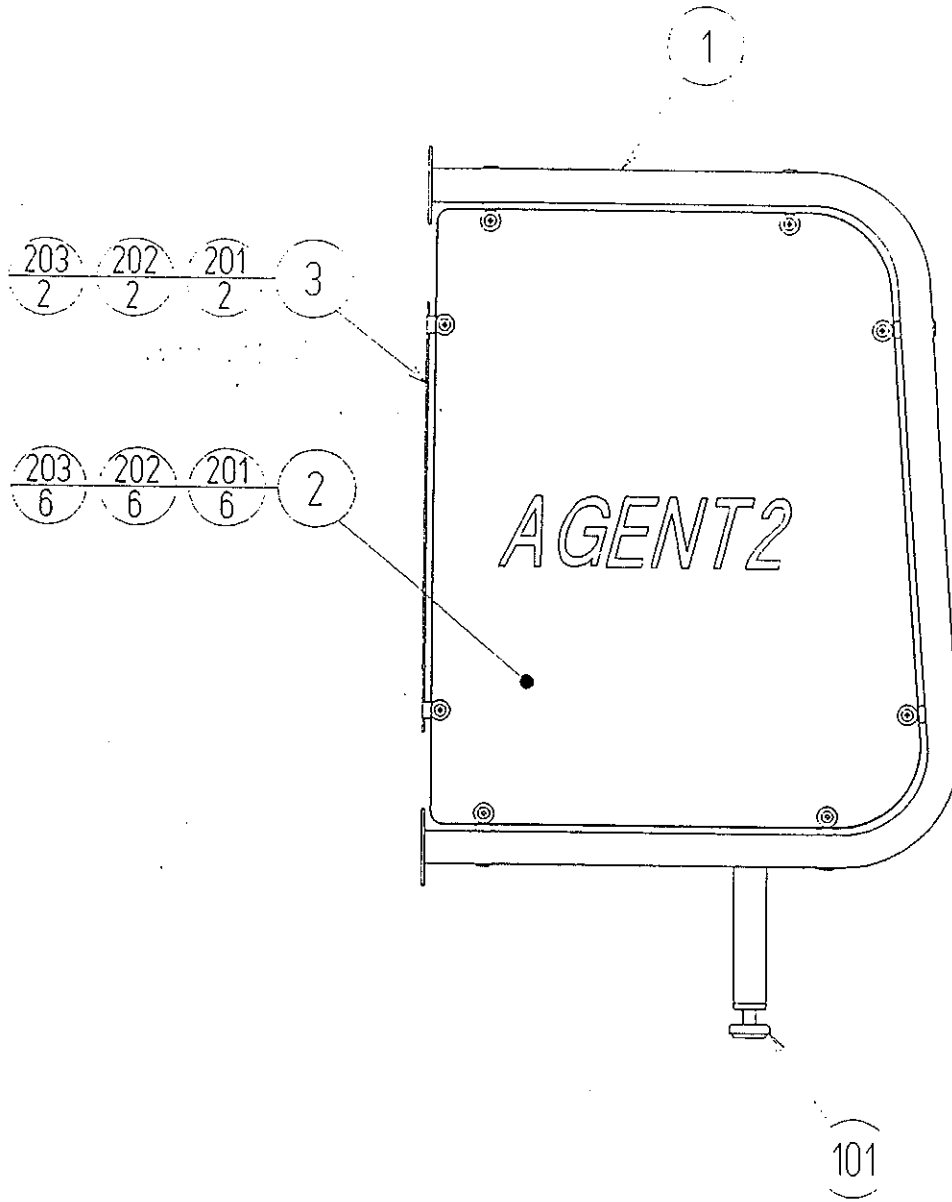
ITEM NO.	PART NO.	DESCRIPTION	NOTE
1	HOD-1302	GUN HOLDER CABI	
2	HOD-1303	JOINT NUT PLATE	
3	HOD-1304	JOINT PART LID	
4	HOD-1306	NUT PLATE FOR PIPE	
5	105-5106	CASH BOX COVER	
6	105-5107	CHUTE	
7	105-5188	HOLE COVER	OTHERS
		NOT USED	USA
8	DP-1167	TNG LKG	
9	220-5575	CAM LOCK MASTER W/O KEY	
10	220-5574	CAM LOCK W/KEYS	
11	105-5170	LOCK BRACKET S	
12	601-5699X	LEG ADJUSTER BOLT M16 × 75	
13	ARC-1006	LEG BRACKET	
14	117-5233	PLATE LEG BRACKET BLACK	
15	421-7501-02	STICKER 6.3V 0.15A	
17	CPT-1019	HOLDER	
18	CPT-1020	HOLDER BRKT	
19	HOD-1307	SIDE BRKT L	
20	HOD-1308	SIDE BRKT R	
21	440-WS0002XEG	STICKER W POWER OFF ENG	
22	HOD-1309	UNDER BRKT	
23	HOD-1310	UNDER PLATE	
24	601-8291	CASTER 75	
101	280-5009-01	CORD CLAMP 21	
102	601-0460	PLASTIC TIE BELT 100 MM	
103	280-5275-SR10	CORD CLAMP SR10	
104	310-5029-F20	SUMI TUBE F F 20MM	
105	220-5482-91- ~	ASSY C.C 2DR ~	
	220-5237-92- ~	ASSY C.C 2DR ~	
106	601-10391-01	SLIONTEC AL TAPE 8060 200 × 240	
107	270-5052-04	L FILTER D	
201	011-P00310	TAP SCR PH 3 × 10	
202	000-T00430-0B	M SCR TH BLK M4 × 30	
203	000-P00406-W	M SCR PH W/FS M4 × 6	
204	000-P00410-W	M SCR PH W/FS M4 × 10	
205	050-H01600	HEX NUT M16	
206	030-000640-SB	HEX BLT W/S BLK M6 × 40	
207	030-000630-SB	HEX BLT BLK W/S M6 × 30	
208	011-F00310	TAP SCR FH 3 × 10	
209	060-F00600	FLT WSHR M6	
210	000-P00408-W	M SCR PH W/FS M4 × 8	
211	030-000830-SB	HEX BLT W/S BLK M8 × 30	
301	HOD-60015	WIRE HARN GUN HOLDER01	
303	HOD-60017	WIRE HARN GUN HOLDER03	
304	HOD-60018	WIRE HARN GUN HOLDER04	
307	HOD-60029	WIRE HARN E GUN HOLDER01	
308	HOD-60030	WIRE HARN E GUN HOLDER02	
309	HOD-60031	WIRE HARN E GUN HOLDER03	
310	600-6709-52	WIRE HARN EARTH 400MM	
311	600-6709-54	WIRE HARN EARTH 150MM	
314	600-6455-02	WIRE HARN C.C DOOR SINGLE	OTHERS
	600-7134	WIRE HARN COIN CHUTE 2	USA

⑭ ASSY FENCE L (HOD-1350)



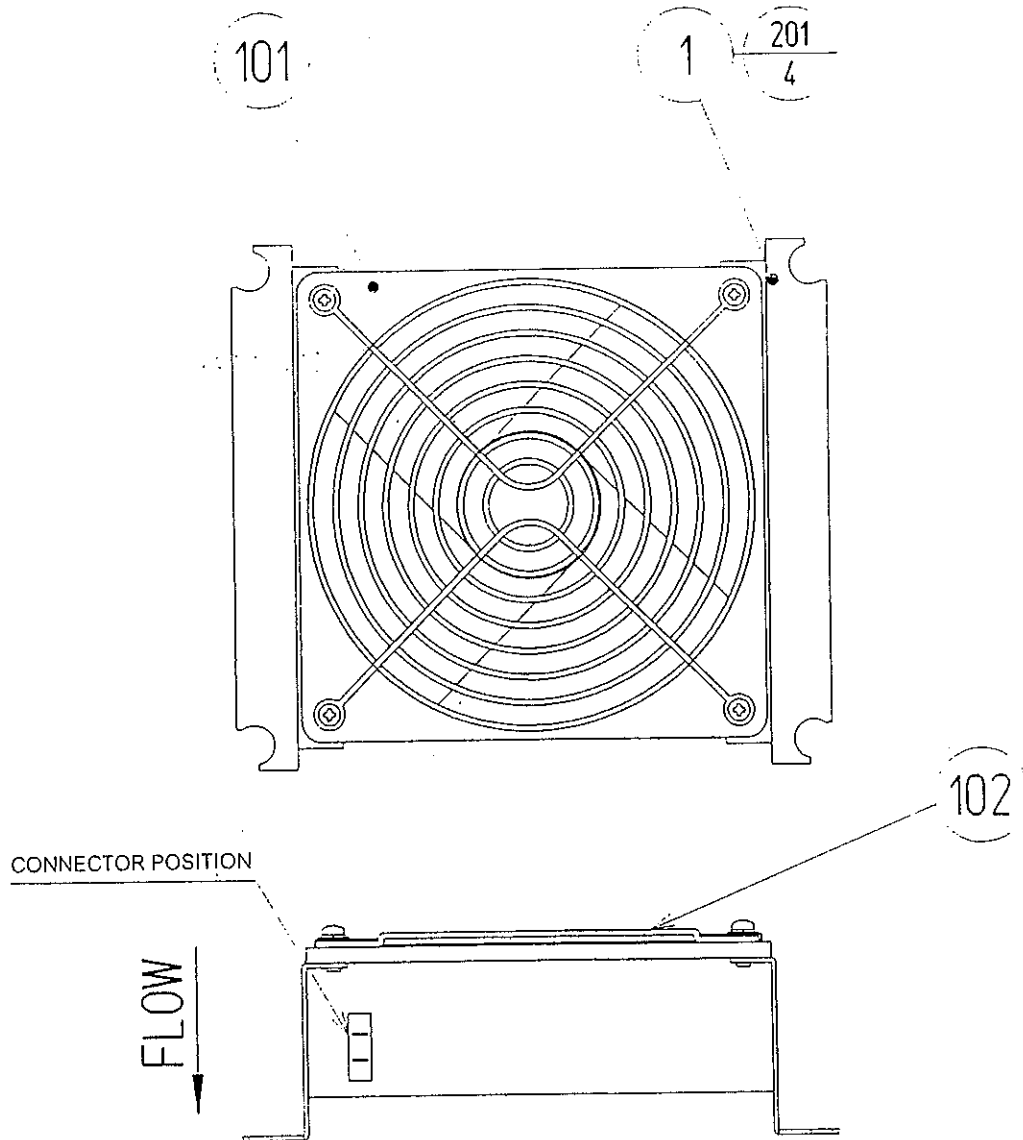
ITEM NO.	PART NO.	DESCRIPTION	NOTE
1	HOD-1351	PIPE L	
2	HOD-1352	GUARD PLATE L	
3	HOD-0004	PLATE HOLDER	
101	601-6076	LEG ADJUSTER 32-MKP-32	
201	000-T00412-0B	M SCR TH BLK M4 X 12	
202	058-411616-0B	FLT WSHR BLK 4.4-16 X 1.6	
203	050-C00400-3B	CAP NUT TYPE3 BLK M4	

⑮ ASSY FENCE R (HOD-1360)



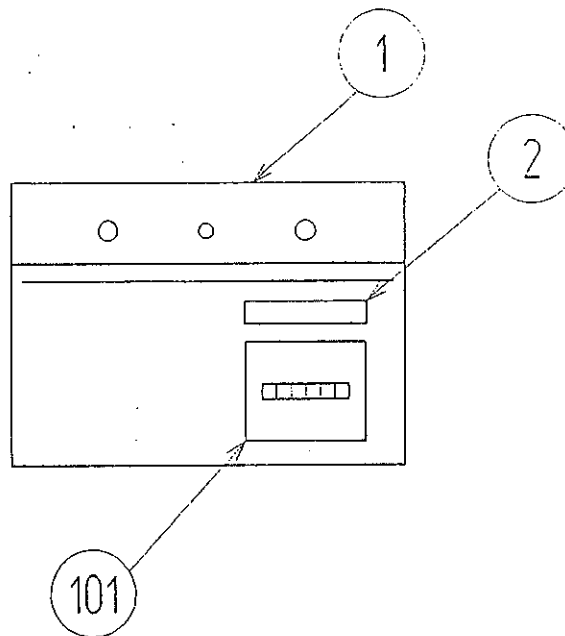
ITEM NO.	PART NO.	DESCRIPTION	NOTE
1	HOD-1361	PIPE R	
2	HOD-1362	GUARD PLATE R	
3	HOD-0004	PLATE HOLDER	
101	601-6076	LEG ADJUSTER 32 MKP-32	
201	000-700412-0B	M SCR TH BLK M4 × 12	
202	068-441616-0B	FLT WSHR BLK 4.4-16 × 1.6	
203	050-C00400-3B	CAP NUT TYPE3 BLK M4	

①⑥ FAN UNIT (HOD-1530)



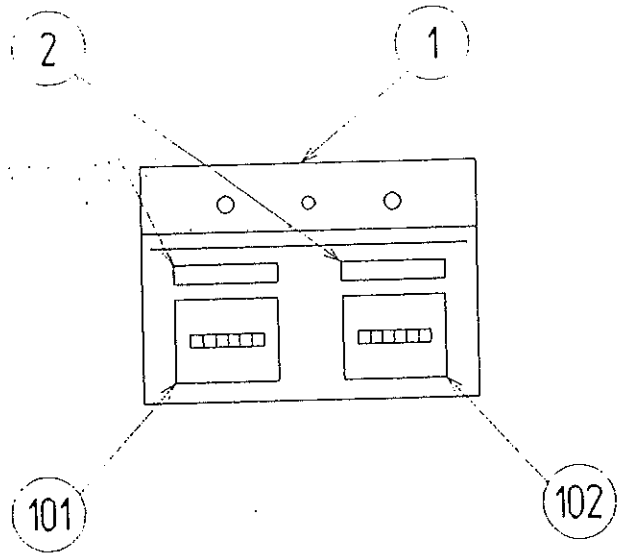
ITEM NO.	PART NO.	DESCRIPTION	NOTE
1	105-5340-01	FAN BRKT LONG	
101	260-0011-02	AXIAL FLOW FAN AC100V 50-60HZ	
102	601-8543	FAN GUARD	
103	280-5275-SR10	CORD CLAMP SR10	
201	000-P00312-W	M SCR PH W, FS M3 × 12	

①⑦ METER UNIT (HOD-1590)



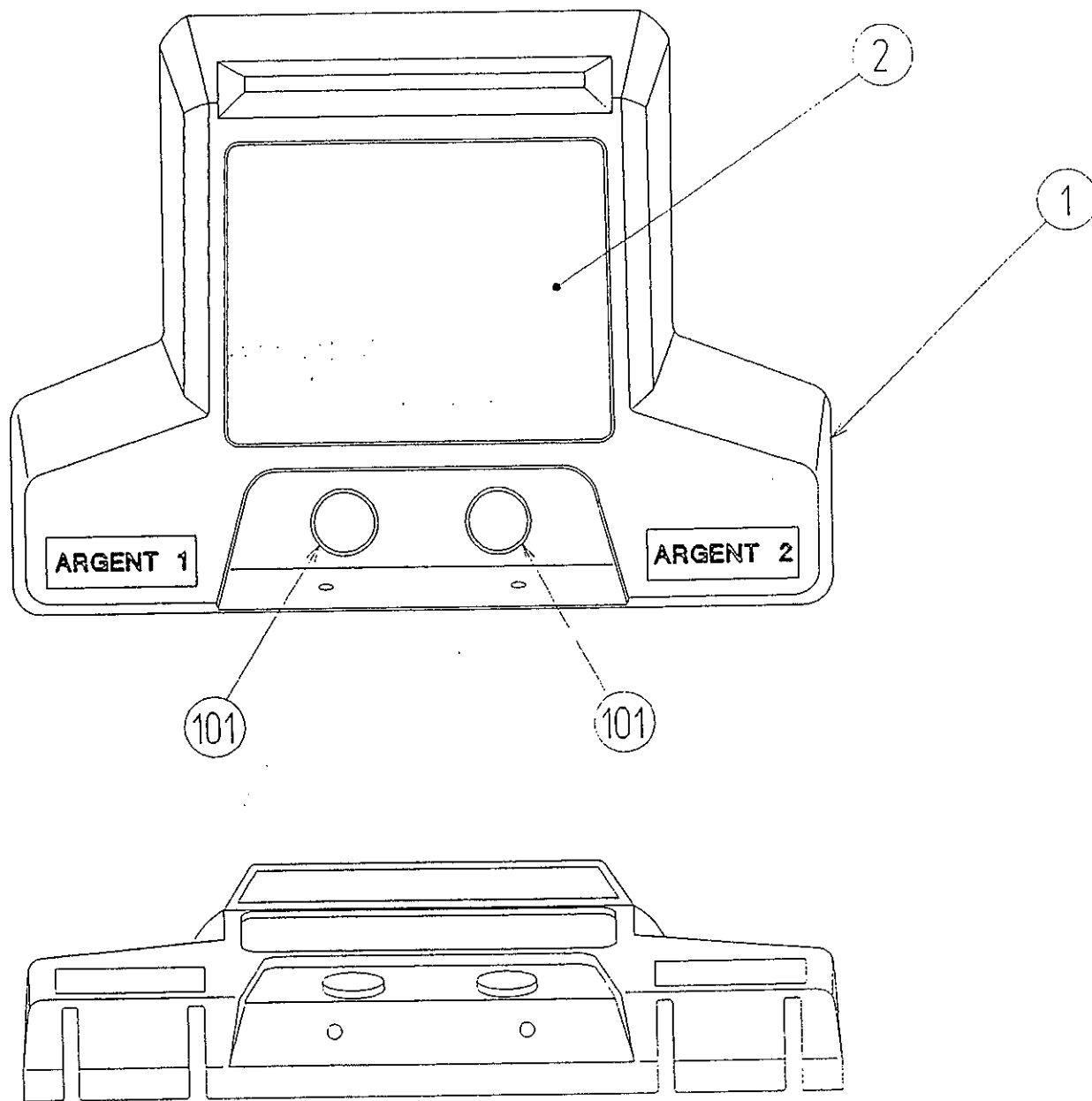
ITEM NO.	PART NO.	DESCRIPTION	NOTE
1	HOD-1591	METER BRKT	
2	421-5591-01	STICKER COIN METER	
101	220-5617-01	MAG CNTR DC5V W CONN 6P WH	
	220-5643-01	MAG CNTR DC5V 6P WH MZ-674-D04	

①⑦ METER UNIT TWIN (HOD-1590-01)



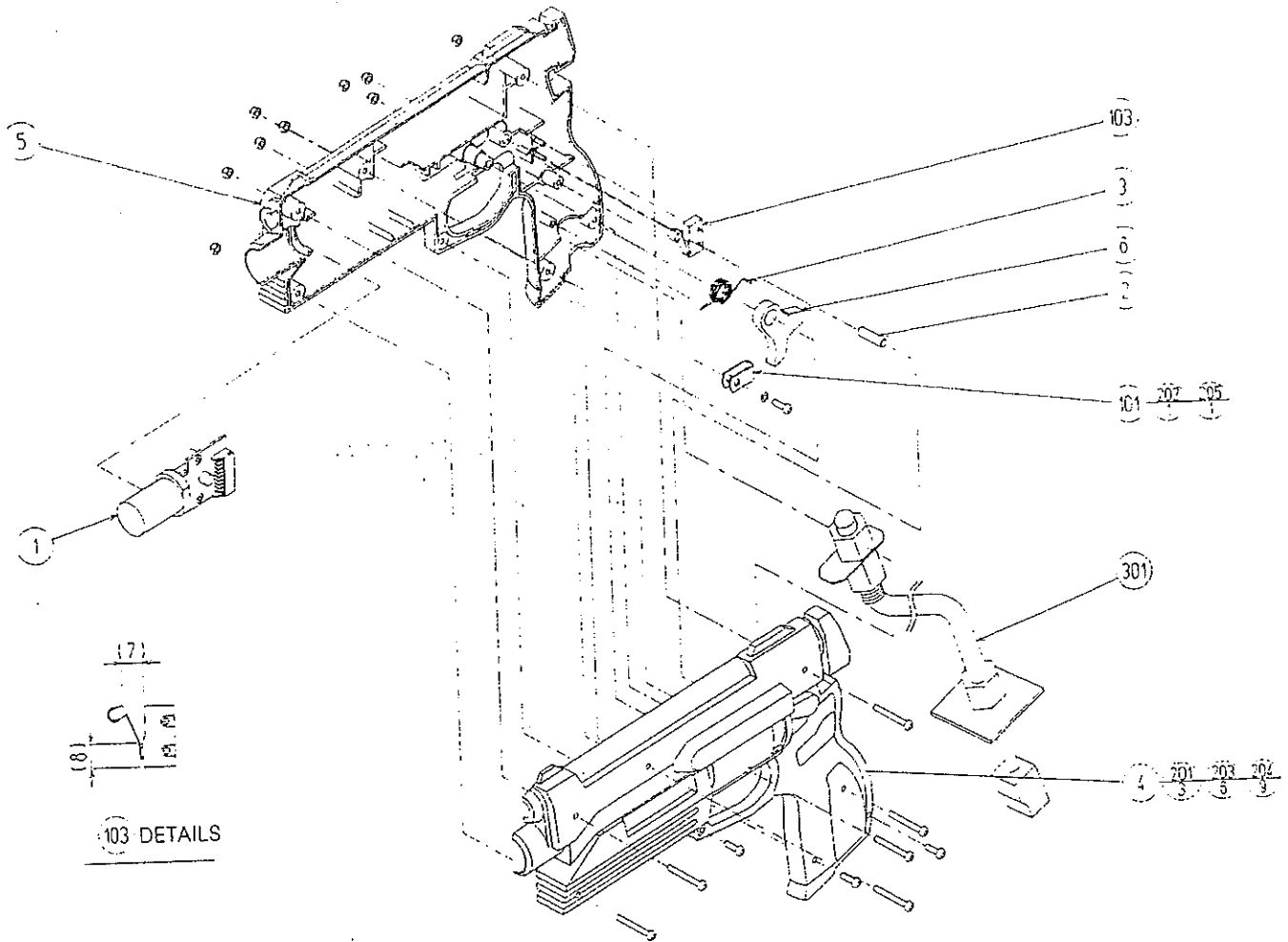
ITEM NO.	PART NO.	DESCRIPTION	NOTE
1	HOD-1592	METER BRKT TWIN	
2	421-6591-01	STICKER COIN METER	
101	220-5643-01	MAG CNTR DC5V 6P WH MZ-674-D04	
102	220-5643-02	MAG CNTR DC5V 6P YE MZ-674-D05	

⑱ ASSY CONT PANEL DX (HOD-2000)



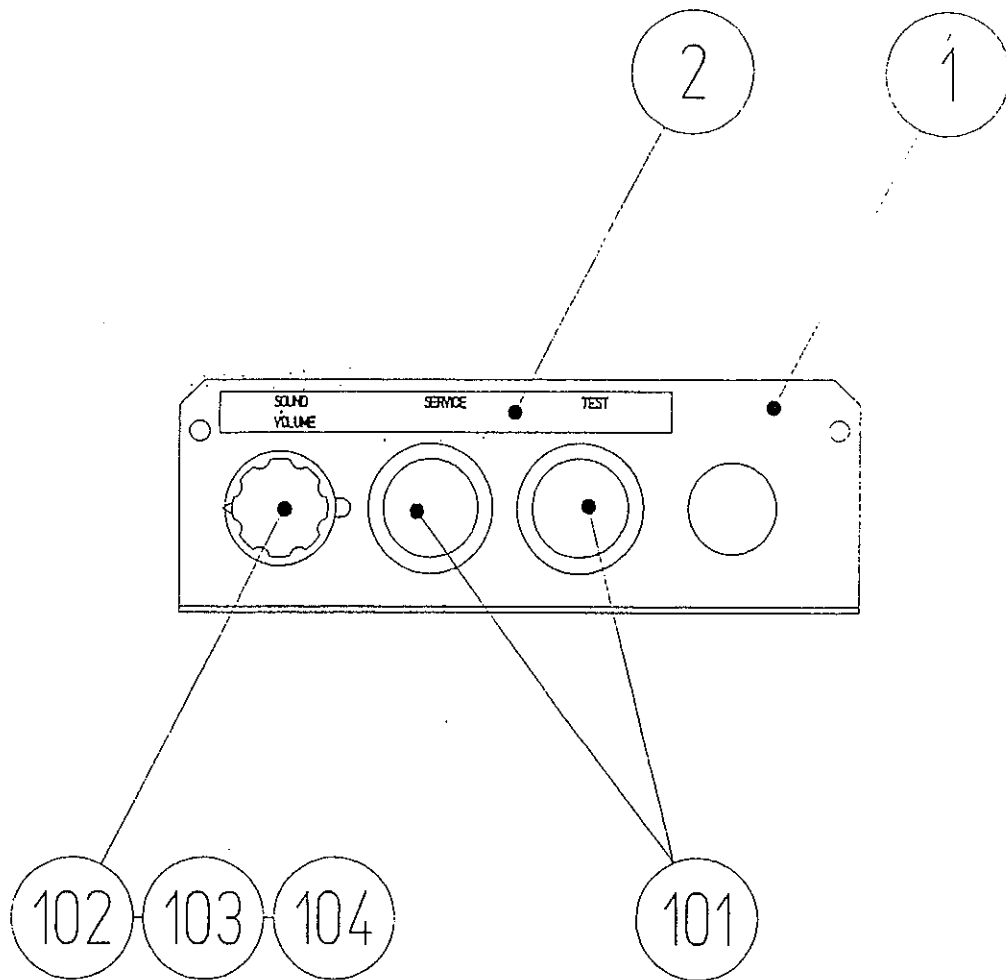
ITEM NO.	PART NO.	DESCRIPTION	NOTE
1	HOD-2001	CONT PNL	
2	HOD-2002-01	INST PLATE HOD DX ENG	
101	509-5712-01	SW PB W/L 6V YELLOW	
102	280-5009-01	CORD CLAMP 21	
301	HOD-60020	WIRE HARX CONTROL PANEL	
/	440-CS0110-EG	STICKER C ZMB PX ENG	

19 CONTROL UNIT DX (HOD-2100)



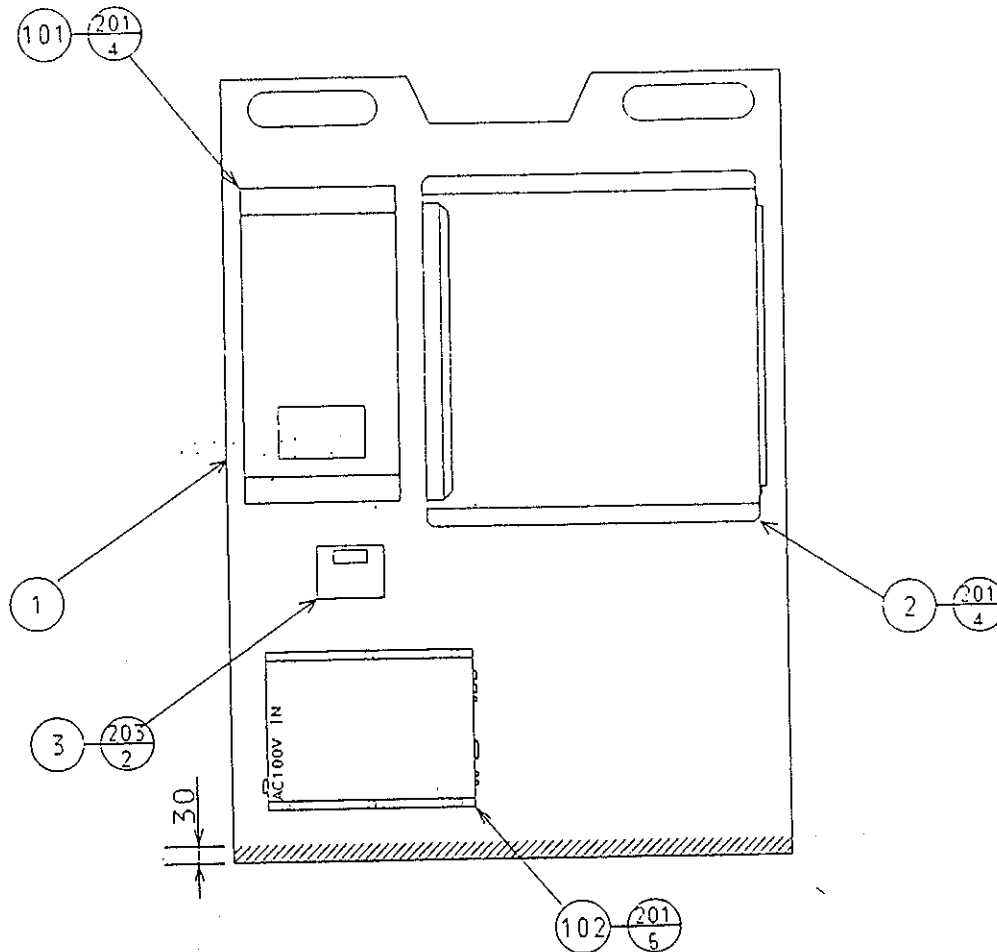
ITEM NO.	PART NO.	DESCRIPTION	NOTE
1	JPT-2030	SENSOR UNIT	
2	COP-2005	STOPPER PIN	
3	125-5124	TORSION SPRING	
4	253-5404-02	COVER LEFT RED	
5	253-5405-02	COVER RIGHT RED	
6	253-5406-02	TRIGGER RED	
101	280-5124-03	NYLON CLAMP NK03	
102	310-5029-D20	SUMITUBE F D 20 MM	
103	509-5080	SW MICRO TYPE	
104	601-0460	PLASTIC TIE BELT 100 MM	
201	000-P00308-0B	M SCR PH BLK M3 x 8	
202	012-P00308	TAP SCR #2 PH 3 x 8	
203	FAS-000015	M SCR PH BLK M3 x 25	
204	FAS-500006	CAP NUT TYPE 3 BLK M3	
205	060-F00300	FLT WSHR M3	
301	HOD-60021 HOD-60036	WIRE HARN GUN UNIT WIRE HARN CTRL UNIT W/O TUBE	OTHERS USA

② SW UNIT (HOD-1030)



ITEM NO.	PART NO.	DESCRIPTION	NOTE
1	KR-1060	SW BRACKET	
2	421-8126	STICKER SWITCH PANEL	
101	509-5028	SW PB 1M	
102	220-5179	VOL CONT B-5K OHM	
103	601-0042	KNOB 22MM	
104	310-5029-F20	SUMITUBE F F20MM	64
105	601-0460	PLASTIC TIE BELT 100MM	
301	600-6568-53	WIRE HARN SW UNIT	

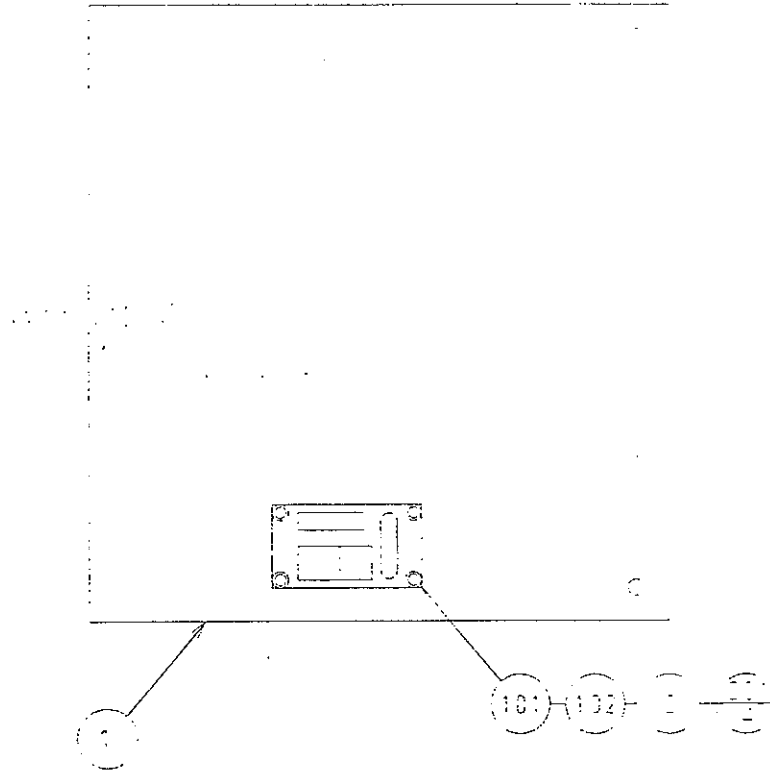
21 ASSY MAIN BD (HOD-4000)



NOTE : MAKE SURE THAT THERE IS WIRING, ETC. IN THE SLASH MARK PORTIONS.

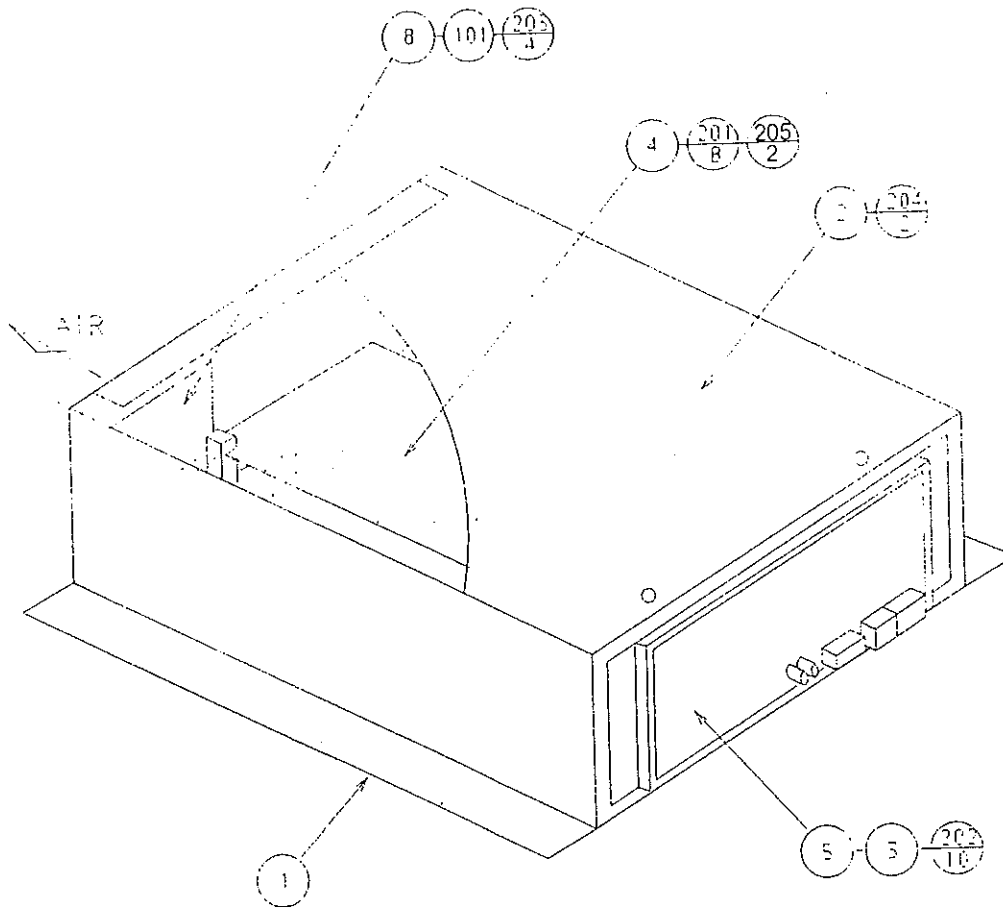
ITEM NO.	PART NO.	DESCRIPTION	NOTE
1	HOD-4001	WOODEN BASE	
2	HOD-4200-01	ASSY SHIELD CASE USA	USA
	HOD-4200-02	ASSY SHIELD CASE EXP	OTHERS
	HOD-4200-03	ASSY SHIELD CASE KOR	KOREA
	HOD-4200-04	ASSY SHIELD CASE AUS	AUSTRALIA
3	839-0979	CONDENSER BD	
101	400-5330-03	SW REGU FOR MODEL3	
102	601-10369	STEREO PWR AMP 47	
103	280-5009-01	CORD CLAMP 21	
104	601-0460	PLASTIC TIE BELT 100 MM	
201	000-P00416-W	M SCR PH W/FS M4 x 16	
202	011-F00310	TAP SCR FH 3 x 10	
203	011-P00325	TAP SCR PH 3 x 25	
301	HOD-60005	WIRE HARN MAIN BD01	
302	HOD-60006	WIRE HARN MAIN BD02	
303	HOD-60007	WIRE HARN MAIN BD03	
304	HOD-60008	WIRE HARN MAIN BD04	

②② ASSY PWR SPLY (HOD-4100)

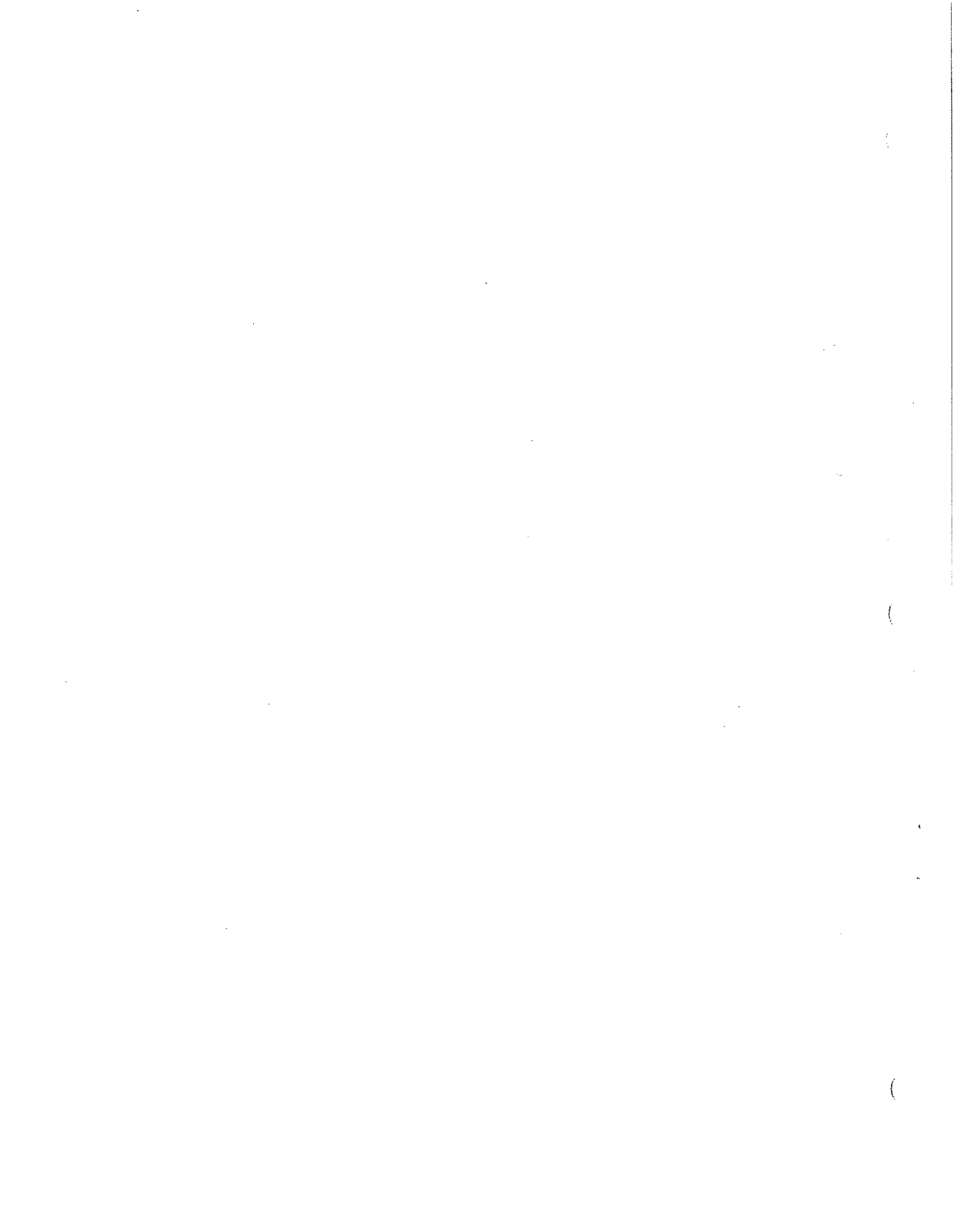


ITEM NO.	PART NO.	DESCRIPTION	NOTE
1	HOD-4101	WOODEN BASE	
2	421-6595-11	STICKER 7A	
101	838-11856-01-UL	CONNECT BD W/FUSE & COVER UL	
102	514-5036-7000	FUSE 6.4 × 30 7000MA 125V	
103	280-5009-01	CORD CLAMP 21	
104	601-0460	PLASTIC TIE BELT 100 MM	
201	011-P00325	TAP SCR PH 3 × 25	
202	011-F00310	TAP SCR FH 3 × 10	
301	HOD-60001	WIRE HARX PWR SPLY01	
	000-P00616-W	M SCR PH W FS M6 × 16	
	HOD-60038	WIRE HARX XFMR IN	
	HOD-60039	WIRE HARX XFMR OUT	
	560-5384	XFMR 100-120V 100V 10A WB	AC110V ~ 120V AREA
	560-5377	PWR XFMR 200-240V 100V 10A CE	AC220V ~ 240V AREA

②③ ASSY SHIELD CASE ~ (HOD-4200-01 ~ 04)



ITEM NO.	PART NO.	DESCRIPTION	NOTE
1	105-5345	SHIELD CASE NAOMI	
2	105-5346	SHIELD CASE LID NAOMI	
3	105-5347	FILTER BD BRKT NAOMI	
4	833-13635-01	GAME BD HOD USA	USA
	833-13635-02	GAME BD HOD EXP	OTHERS
	833-13635-03	GAME BD HOD KOR	KOREA
	833-13635-04	GAME BD HOD AUS	AUSTRALIA
5	839-1069	FLT BD NAOMI	
6	421-6510-136351	STICKER 833-13635-01	USA
	421-6510-136352	STICKER 833-13635-02	OTHERS
	421-6510-136353	STICKER 833-13635-03	KOREA
	421-6510-136354	STICKER 833-13635-04	AUSTRALIA
7	421-9174	STICKER CAUTION ANTISTATIC	
8	105-5351	FAN MOTOR BRKT NAOMI	
9	421-10023	STICKER BD SERIAL NUMBER	
10	501-10488	CARTON BOX NAOMI METAL	
101	250-0064	FAN MOTOR DC12V	
102	280-5275-SR10	CORD CLAMP SR10	
201	010-P00310-F	S-TITE SCR PH W/F M3 x 10	
202	010-P00306-F	S-TITE SCR PH W/F M3 x 6	
203	050-F00400	FLG NUT M4	
204	000-P00408-W	M SCR PH W/FS M4 x 8	
205	010-P00365-F	S-TITE SCR PH W/F M3 x 65	
301	H00-60037	WIRE HARN FAN SHIELD CASE	



19. WIRE COLOR CODE TABLE

THE WIRE COLOR CODE is as follow:

- A PINK
- B SKY BLUE
- C BROWN
- D PURPLE
- E LIGHT GREEN

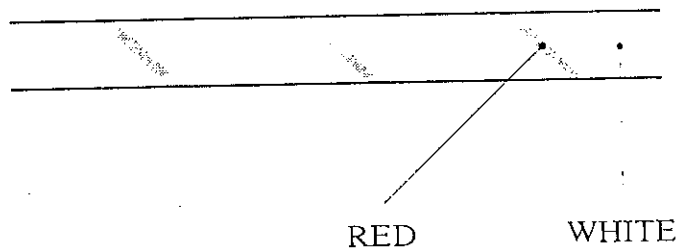
Wires other than those of any of the above 5 single colors will be displayed by 2 alphanumeric characters.

- 1 RED
- 2 BLUE
- 3 YELLOW
- 4 GREEN
- 5 WHITE
- 7 ORANGE
- 8 BLACK
- 9 GRAY

If the right-hand side numeral of the code is 0, then the wire will be of a single color shown by the left-hand side numeral (see the above).

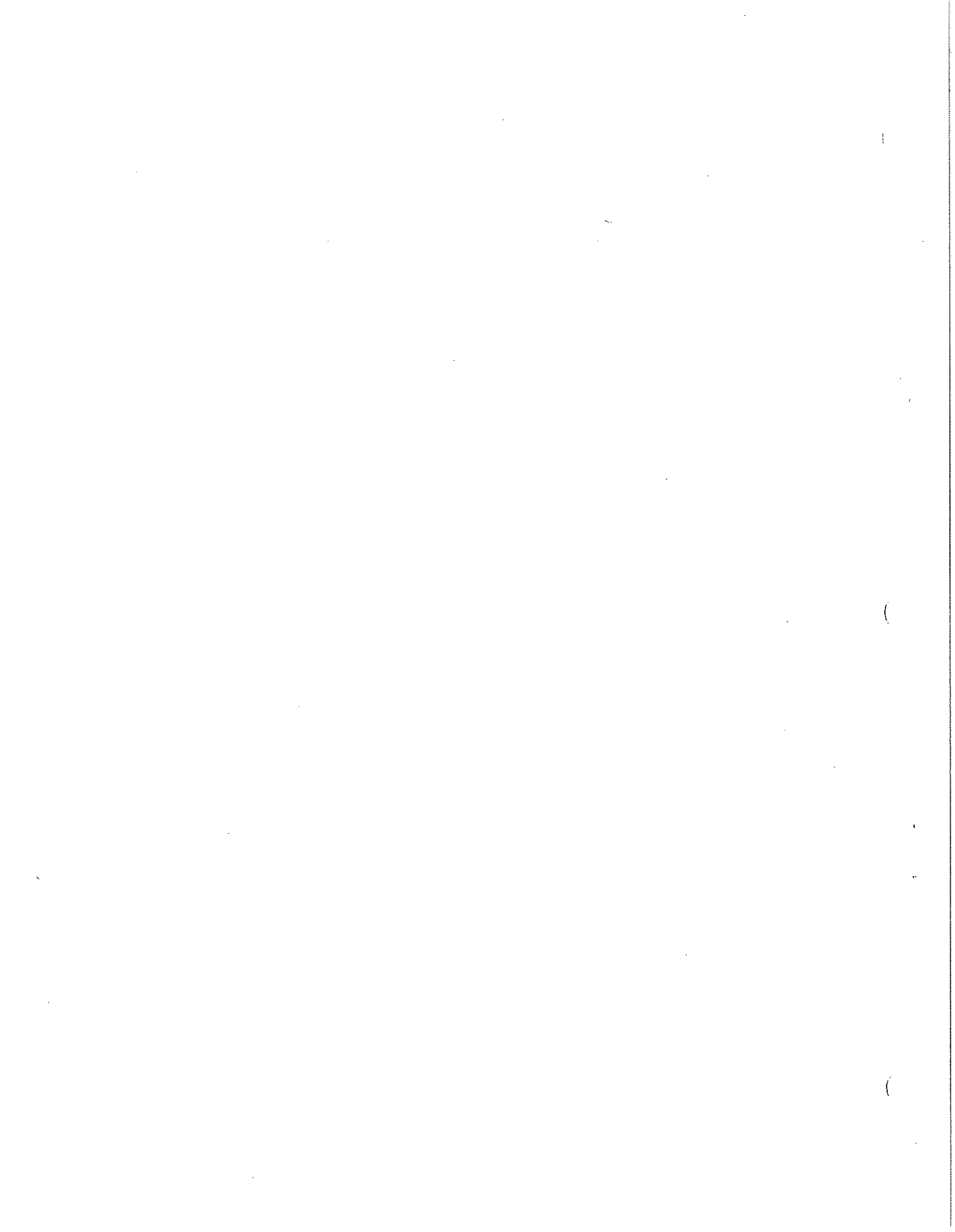
Note 1: If the right-hand side alphanumeric is not 0, that particular wire has a spiral color code. The left-hand side character shows the base color and the right-hand side one, the spiral color.

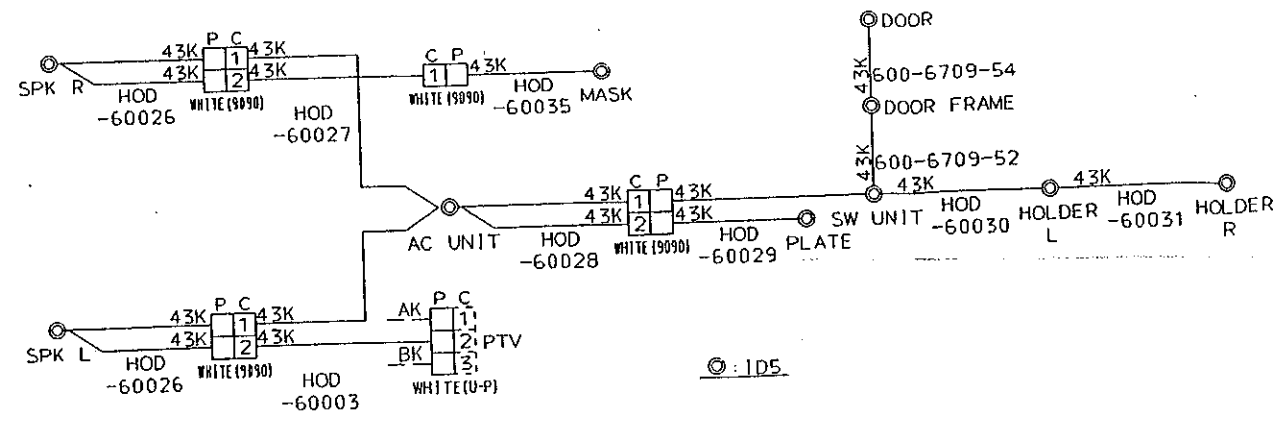
<Example> 51 WHITE / RED



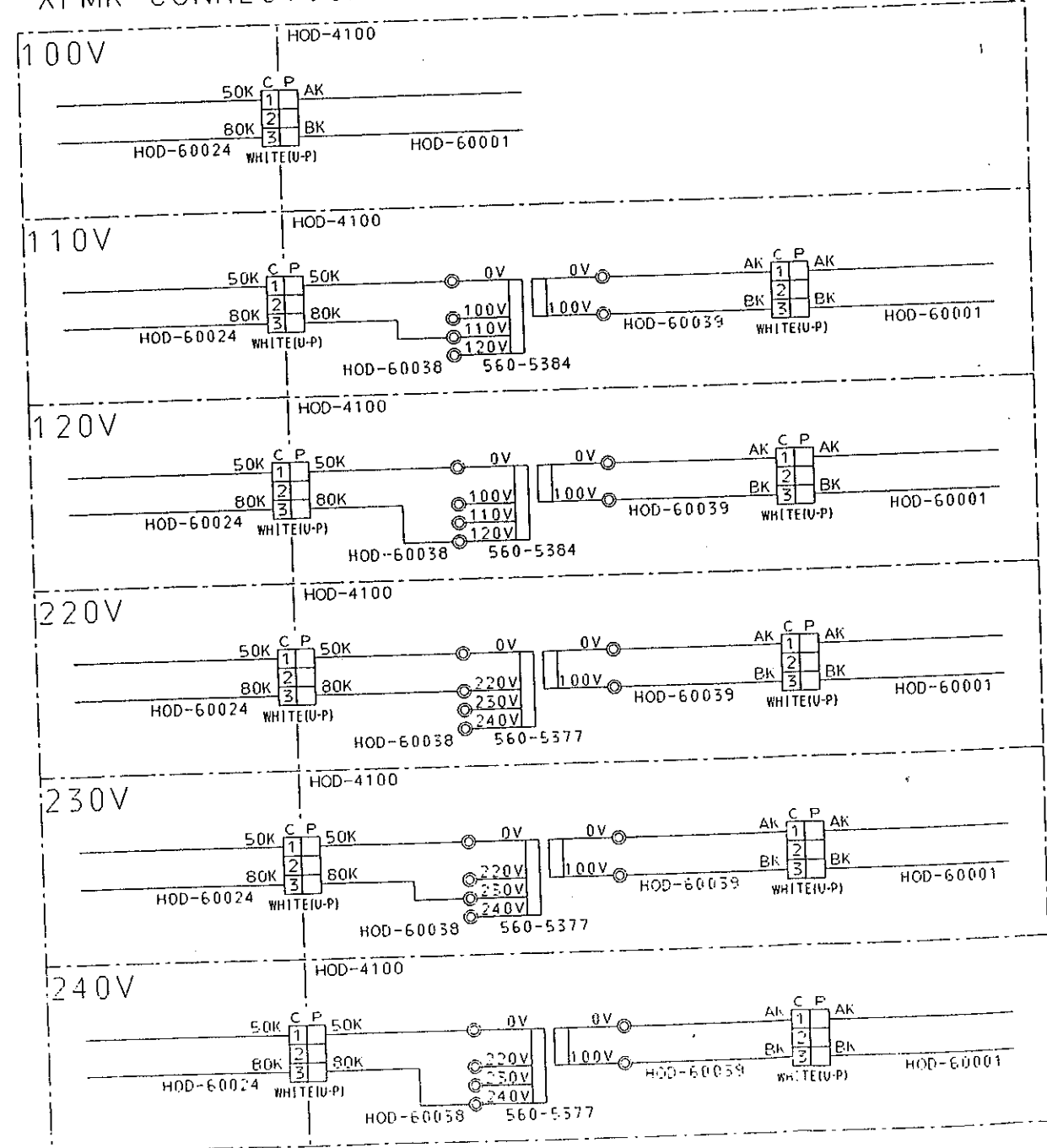
Note 2: The character following the wire color code indicates the size of the wire.

- K: AWG18, UL1015
- L: AWG20, UL1007
- None: AWG22, UL1007

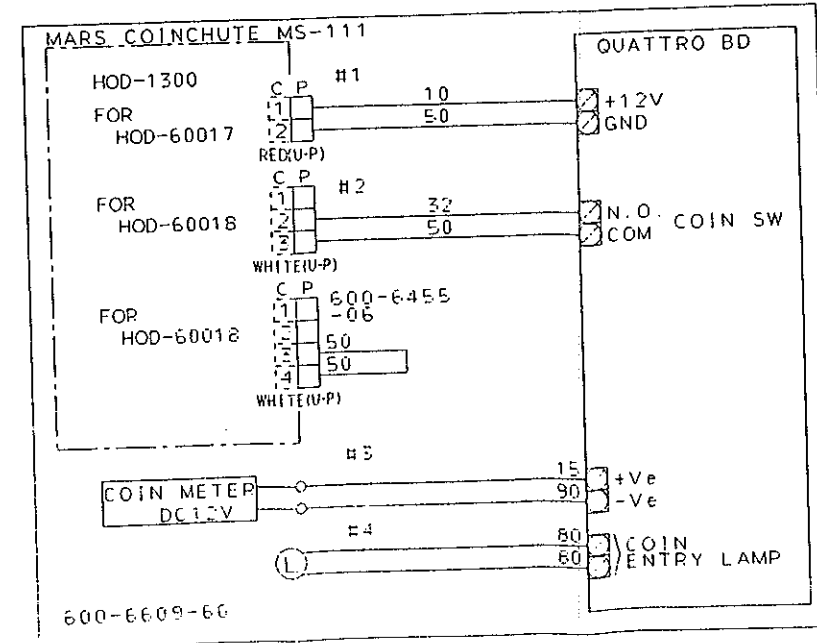
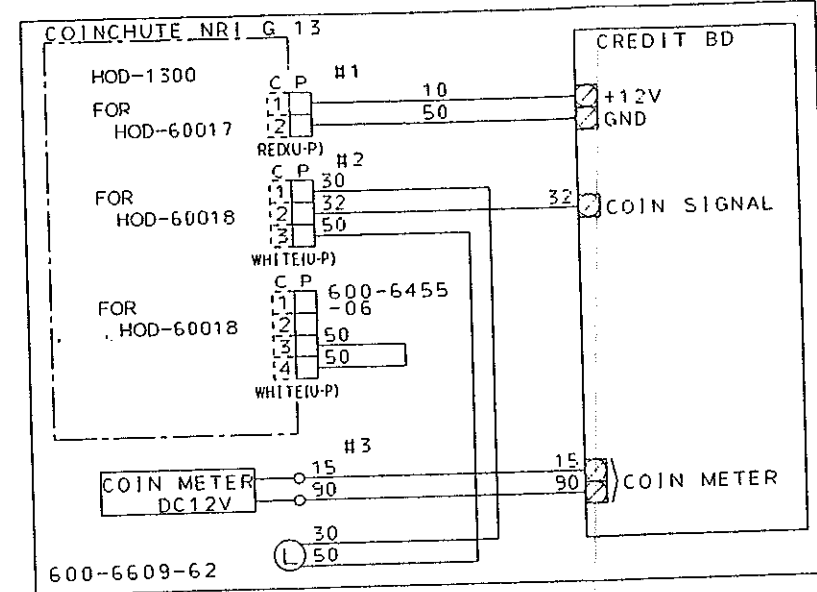
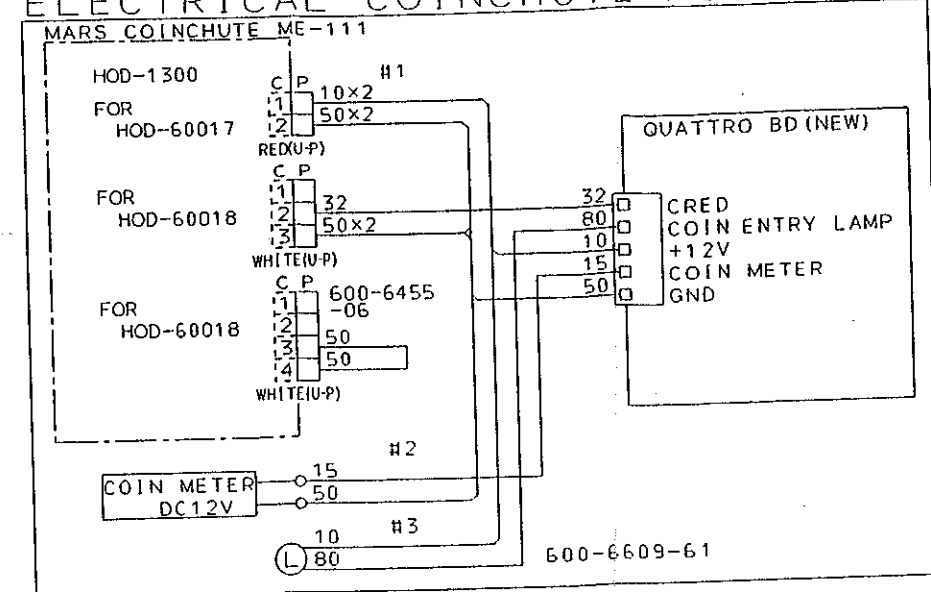


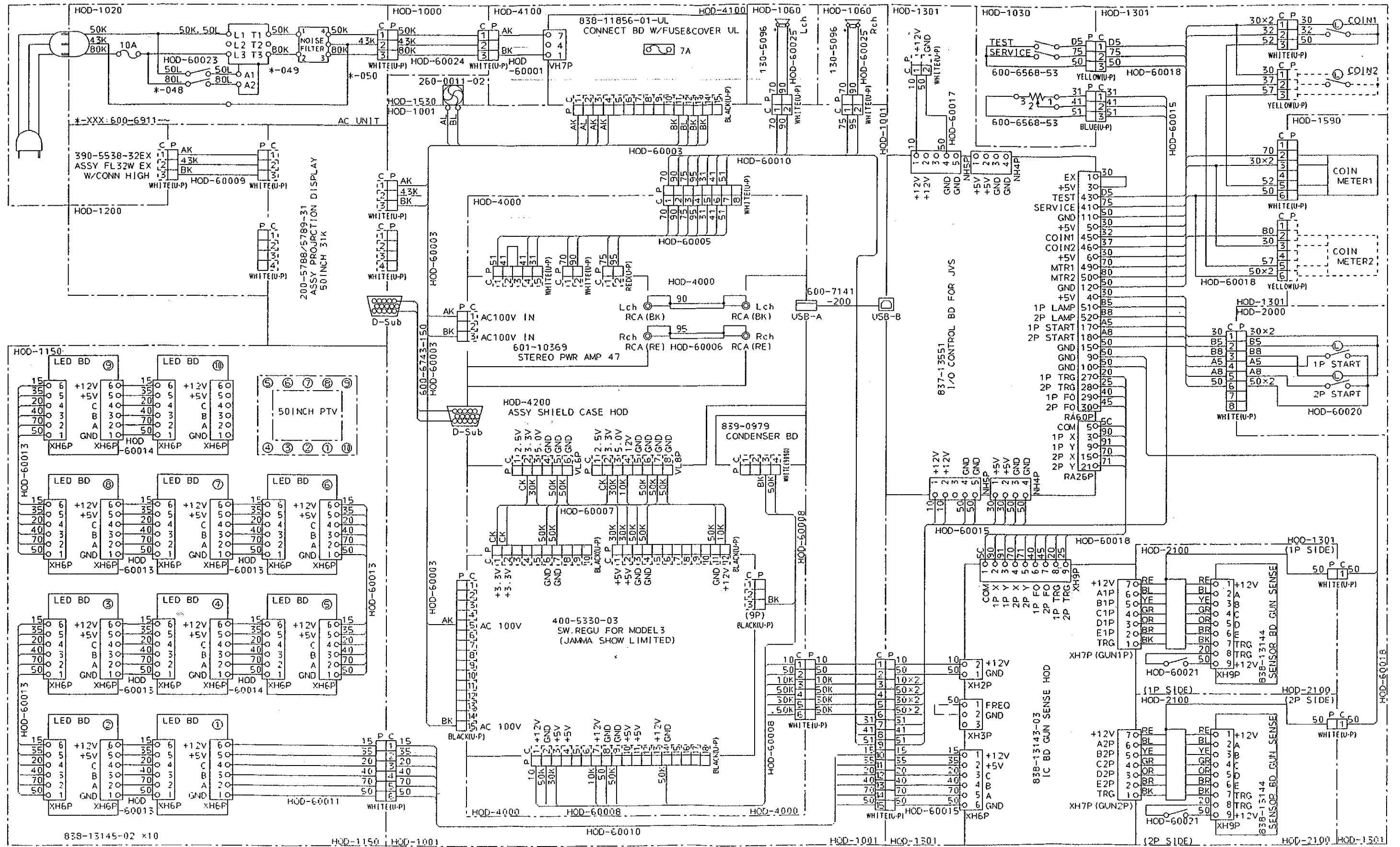


XFMR CONNECTION



ELECTRICAL COINCHUTE FOR EXPORT





20. WIRING DIAGRAM (D-1/2)