

IC CHART

| TYPE                   | VOLTAGE / PIN NO. |        |         |      |      |     |     | UNUSED GATES       |
|------------------------|-------------------|--------|---------|------|------|-----|-----|--------------------|
|                        | GND               | +5V    | +5V DAC | +12V | +15V | -5V | -5V |                    |
| 74S00                  | 7                 | 14     |         |      |      |     |     |                    |
| 74S02                  | 7                 | 14     |         |      |      |     |     |                    |
| 74LS02                 | 7                 | 14     |         |      |      |     |     |                    |
| 74S04                  | 7                 | 14     |         |      |      |     |     | P5, P5, P5,        |
| 74LS04                 | 7                 | 14     |         |      |      |     |     |                    |
| 74LS06                 | 7                 | 14     |         |      |      |     |     |                    |
| 74LS08                 | 7                 | 14     |         |      |      |     |     |                    |
| 74LS12                 | 7                 | 14     |         |      |      |     |     | K4                 |
| 74LS11                 | 7                 | 14     |         |      |      |     |     |                    |
| 74LS14                 | 7                 | 14     |         |      |      |     |     |                    |
| 74LS20                 | 7                 | 14     |         |      |      |     |     | M5                 |
| 74LS27                 | 7                 | 14     |         |      |      |     |     |                    |
| 74LS32                 | 7                 | 14     |         |      |      |     |     | L2                 |
| 74LS42                 | 8                 | 16     |         |      |      |     |     |                    |
| 74S74                  | 7                 | 14     |         |      |      |     |     |                    |
| 74LS74                 | 7                 | 14     |         |      |      |     |     |                    |
| 74S86                  | 7                 | 14     |         |      |      |     |     | B7                 |
| 74LS86                 | 7                 | 14     |         |      |      |     |     |                    |
| 74LS129                | 8                 | 16     |         |      |      |     |     |                    |
| 74LS139                | 8                 | 16     |         |      |      |     |     |                    |
| 74LS157                | 8                 | 16     |         |      |      |     |     |                    |
| 74LS161                | 8                 | 16     |         |      |      |     |     |                    |
| 74LS164                | 7                 | 14     |         |      |      |     |     |                    |
| 74LS174                | 8                 | 16     |         |      |      |     |     |                    |
| 74LS175                | 8                 | 16     |         |      |      |     |     |                    |
| 74LS191                | 8                 | 16     |         |      |      |     |     |                    |
| 74193                  | 8                 | 16     |         |      |      |     |     |                    |
| 74LS193                | 8                 | 16     |         |      |      |     |     |                    |
| 74LS194                | 8                 | 16     |         |      |      |     |     |                    |
| 74LS244                | 10                | 20     |         |      |      |     |     |                    |
| 74LS245                | 10                | 20     |         |      |      |     |     |                    |
| 74S260                 | 7                 | 14     |         |      |      |     |     |                    |
| 74LS273                | 10                | 20     |         |      |      |     |     |                    |
| 74LS367                | 8                 | 16     |         |      |      |     |     |                    |
| 74LS393                | 7                 | 14     |         |      |      |     |     |                    |
| 74LS670                | 8                 | 16     |         |      |      |     |     |                    |
| 2114 (RAM)             | 9                 | 18     |         |      |      |     |     |                    |
| 8316E (ROM)            | 12                | 24, 24 | 19      |      |      |     |     |                    |
| 2708 (ROM)             | 12                | 24     |         |      |      |     | 21  |                    |
| 825129 (PROM)          | 8                 | 16     |         |      |      |     |     |                    |
| 6502A (MICROPROCESSOR) | 1, 21             | 8      |         |      |      |     |     |                    |
| AM6012                 | 13                |        | 20      |      |      | 17  |     |                    |
| MC3410                 | 2                 |        | 14      |      |      | 1   |     |                    |
| DAC-08                 |                   |        | 13      |      |      | 3   |     |                    |
| LM319                  | 3, 2              |        |         |      | 11   | 6   |     |                    |
| TLOB2                  |                   |        |         |      | 8    | 4   |     |                    |
| TLOB4                  |                   |        |         |      | 4    | 11  |     |                    |
| LF13201                | 5                 |        |         |      | 13   | 4   |     |                    |
| 14050                  | 8                 | 1      |         |      |      |     |     |                    |
| 7404                   | 7                 | 14     |         |      |      |     |     | H11, H11, H11, H11 |
| 74LS399                | 8                 | 16     |         |      |      |     |     |                    |

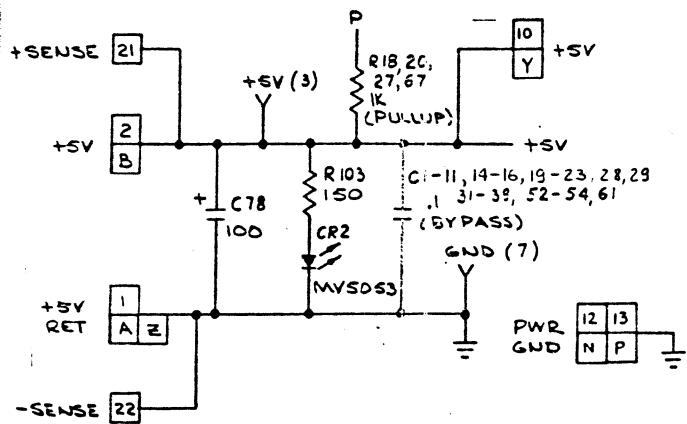
MEMORY MAP

| ADDRESS   | DATA                 | FUNCTION                   |
|-----------|----------------------|----------------------------|
| 0000-00FF | XXXXXXXXXXXXXXXXXXXX | PROGRAM RAM (1K)           |
| 0800-08FF | XXXXXXXXXXXXXXXXXXXX | RIGHT COIN                 |
|           | XXXXXXXXXXXXXXXXXXXX | CENTER COIN                |
|           | XXXXXXXXXXXXXXXXXXXX | LEFT COIN                  |
|           | XXXXXXXXXXXXXXXXXXXX | SLAM SW                    |
|           | XXXXXXXXXXXXXXXXXXXX | SELF TEST SW               |
|           | XXXXXXXXXXXXXXXXXXXX | DIAG. STEP SW              |
|           | XXXXXXXXXXXXXXXXXXXX | HALT                       |
|           | XXXXXXXXXXXXXXXXXXXX | 3RME                       |
| 2A00-2A0F | XXXXXXXXXXXXXXXXXXXX | OPTIONS 0                  |
| 2C00-2C0F | XXXXXXXXXXXXXXXXXXXX | OPTIONS 1                  |
| 1000-100F | XXXXXXXXXXXXXXXXXXXX | COIN COUNTER RIGHT         |
|           | XXXXXXXXXXXXXXXXXXXX | COIN COUNTER CENTER        |
|           | XXXXXXXXXXXXXXXXXXXX | COIN COUNTER LEFT          |
|           | XXXXXXXXXXXXXXXXXXXX | VIDEO INVERT X             |
|           | XXXXXXXXXXXXXXXXXXXX | VIDEO INVERT Y             |
| 1200-120F | XXXXXXXXXXXXXXXXXXXX | VECTOR GENERATOR G0        |
| 1400-140F | XXXXXXXXXXXXXXXXXXXX | WATCHDOG CLEAR             |
| 1600-160F | XXXXXXXXXXXXXXXXXXXX | VECTOR GENERATOR RESET     |
| 0000-000F | XXXXXXXXXXXXXXXXXXXX | I/O FOR AUX BD             |
| 2000-200F | XXXXXXXXXXXXXXXXXXXX | VECTOR RAM (2K)            |
| 2200-220F | XXXXXXXXXXXXXXXXXXXX | VECTOR RAM/VECTOR ROM (2K) |
| 2400-240F | XXXXXXXXXXXXXXXXXXXX | VECTOR ROM (4K)            |
| 2600-260F | XXXXXXXXXXXXXXXXXXXX | PROGRAM ROM (4K)           |
| 2800-280F | XXXXXXXXXXXXXXXXXXXX | PROGRAM ROM (8K)           |

REFERENCE DESIG

| HIGHEST | NOT USED |
|---------|----------|
| CR12    |          |
| Q9      |          |
| VR3     |          |
| SW4     |          |
| RP2     |          |
| R133    |          |
| C106    |          |

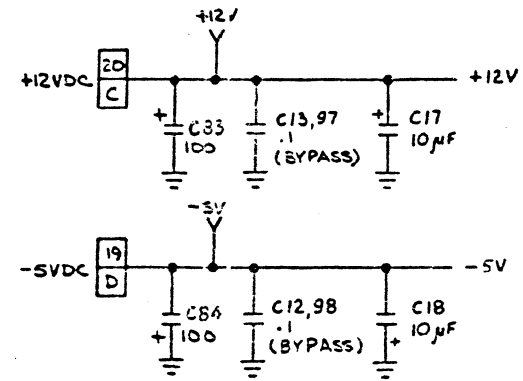
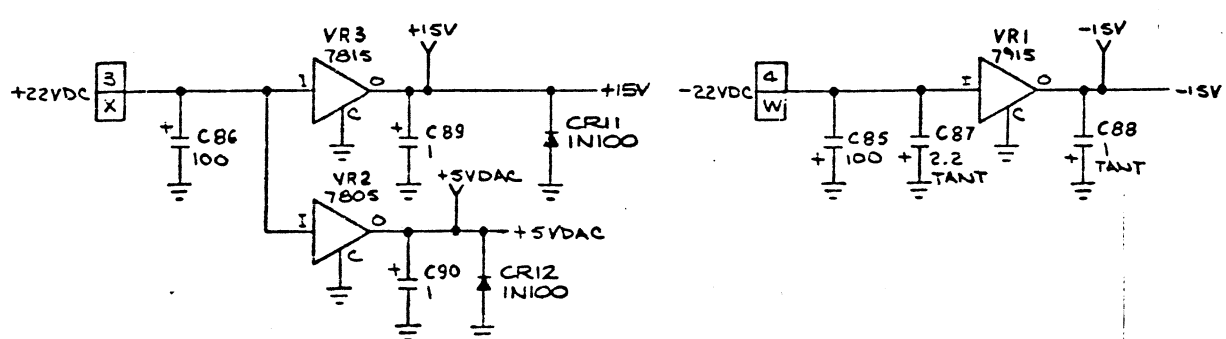
| REVISIONS |   |         |       |       |          |
|-----------|---|---------|-------|-------|----------|
| SYM       | DESCRIPTION   | DATE    | INCRP | CHECK | APPROVED |
| 2         | PROTOTYPE & UPDATE  | 4-1-80  |       |       |          |
| 3         | PRE-PROD. REL.  | 6-22-81 | EM    |       | JH 7/20  |
| A         | PROD. REL.  | 7/3/81  | EM    |       | JH 7/20  |
| B         | REV ECU 8:66, 8:175, 8:184, 8:211, 8:231, 8:237, 8:240, 8:251 | 10/1/81 | Dull  |       | JH 7/20  |



- NOTES:
- DENOTES J20 CONNECTOR
  - " TEST "
  - ◇ " J19 "

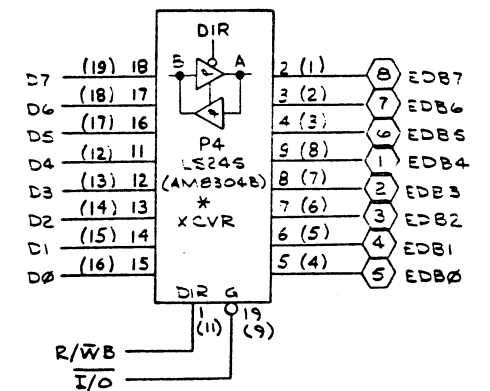
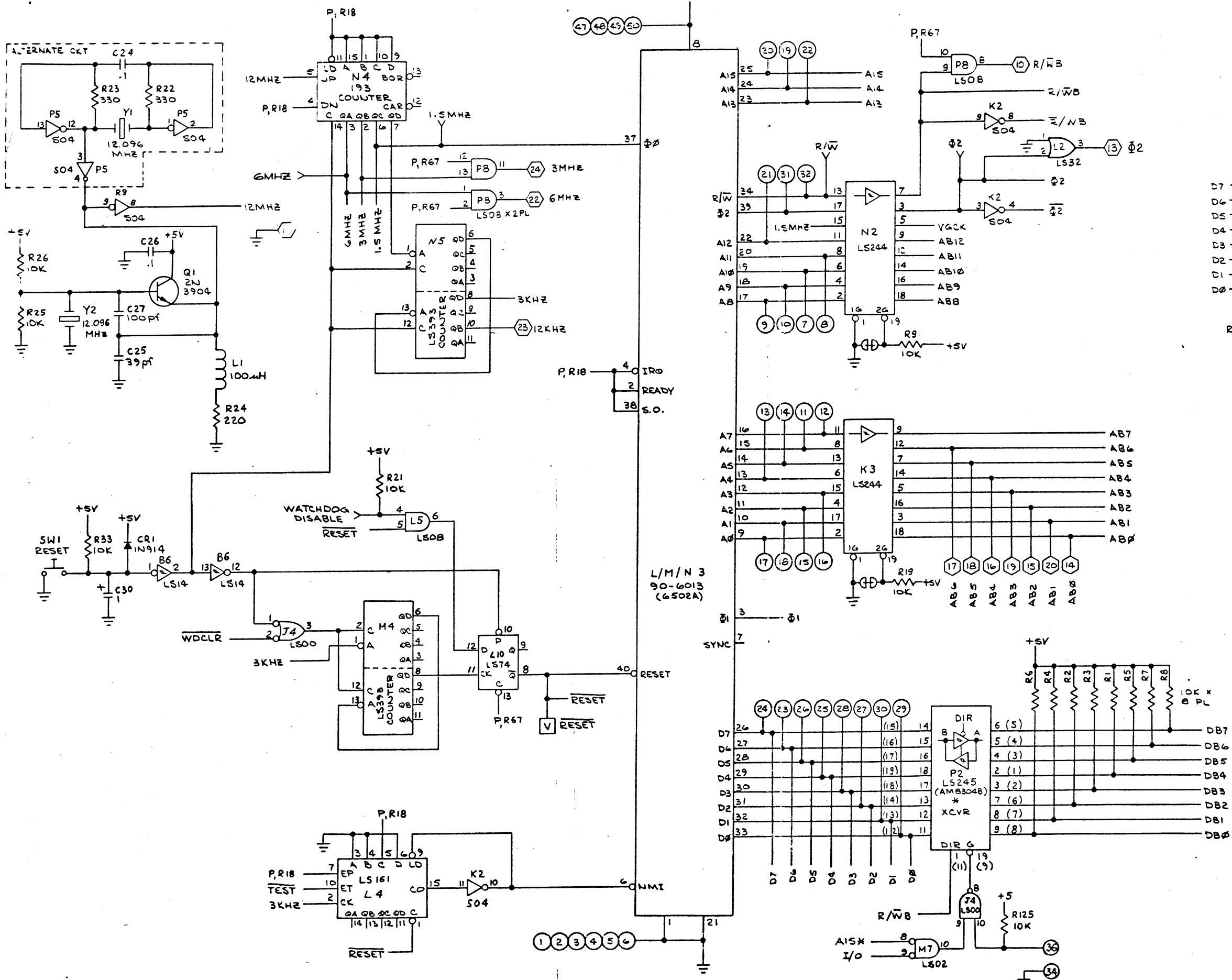
**HISTORY PRINT**

-01 = MC3410 DAC  
-02 = AM6012 ADC



|   |                      |                                       |   |  |
|---|----------------------|---------------------------------------|---|--|
| AD35742   | DO NOT SCALE DRAWING | DRAWN BY: <i>F. Taha</i> DATE: 4-1-80 | <p>Atari, Inc.<br/>1285 Borregas Avenue<br/>Sunnyvale, Calif. 94086</p>   |  |
| NEXT ASSY   | FIRST USED ON        | CHECKED BY: DATE:                     |   |  |
| GOUTSTANDING ECNS   |                      | ENGR. MECH DATE:                      | TITLE<br><b>SCHEMATIC,<br/>6502A ANALOG VECTOR<br/>GENERATOR P.C. BD.</b> |  |
| UNLESS OTHERWISE SPECIFIED DIMENSIONS ARE IN INCHES TOLERANCES ON:  |                      | ENGR. ELECT DATE:                     |   |  |
| MATERIAL:   |                      | INDUSTRIAL DESIGN DATE:               |   |  |
| FINISH:   |                      | HARNES DESIGN DATE:                   |   |  |
| NOTICE TO ALL PERSONS RECEIVING THIS DRAWING: CONFIDENTIAL. Reproduction forbidden without the specific written permission of Atari, Inc., Sunnyvale, California. This drawing is only conditionally issued and neither receipt nor possession thereof confers or transfers any right in or license to use the subject matter of the drawing or any design or technical information shown thereon, nor any right to reproduce this drawing or any part thereof, except for manufacture by vendors of Atari incorporated and for manufacture under the corporation's written license. No right to reproduce this drawing is granted or the subject matter thereof unless by written agreement with or written permission from the corporation. |                      |                                       | PROJECT ENGR DATE: 7-1-81<br>MFG ENGR DATE:                               | SIZE: D<br>DRAWING NO: 035742-XX<br>REV: B |
| SCALE: -  |                      |                                       | SHEET 1 OF 7  |  |

| REVISIONS |               |      |       |       |          |
|-----------|---------------|------|-------|-------|----------|
| SYM       | DESCRIPTION   | DATE | INCRP | CHECK | APPROVED |
| -         | SEE SHEET ONE |      |       |       |          |



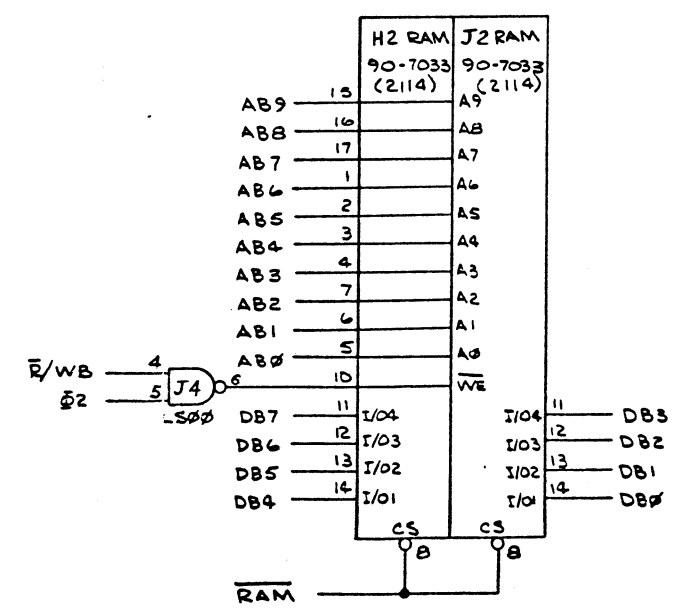
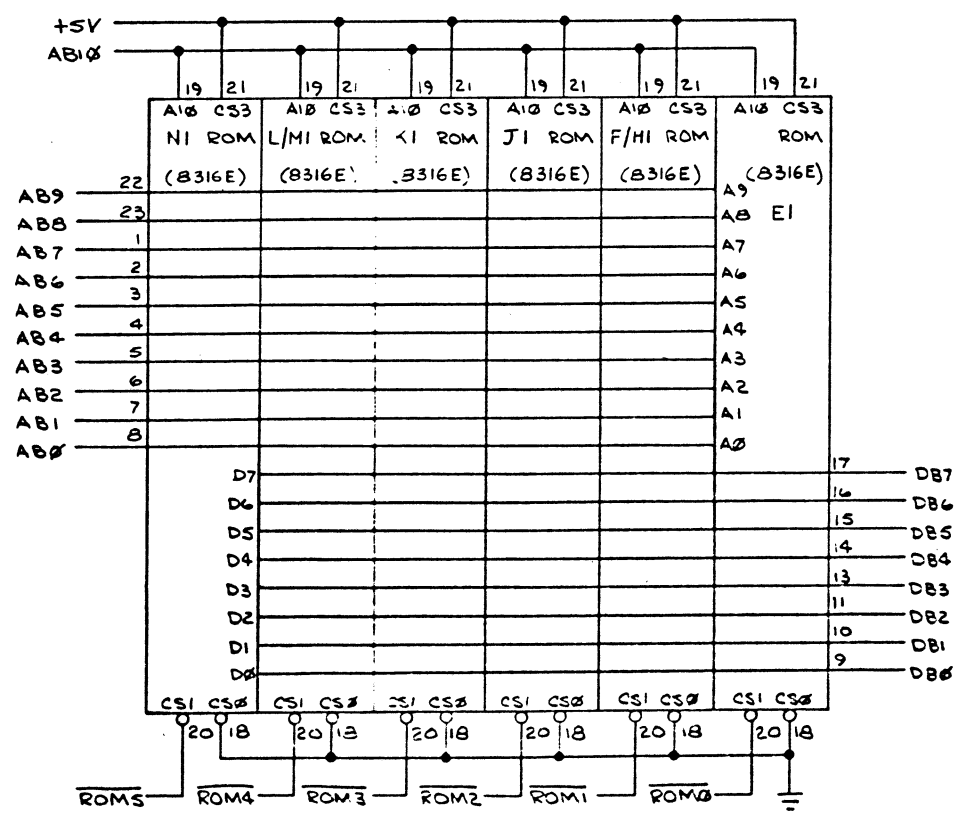
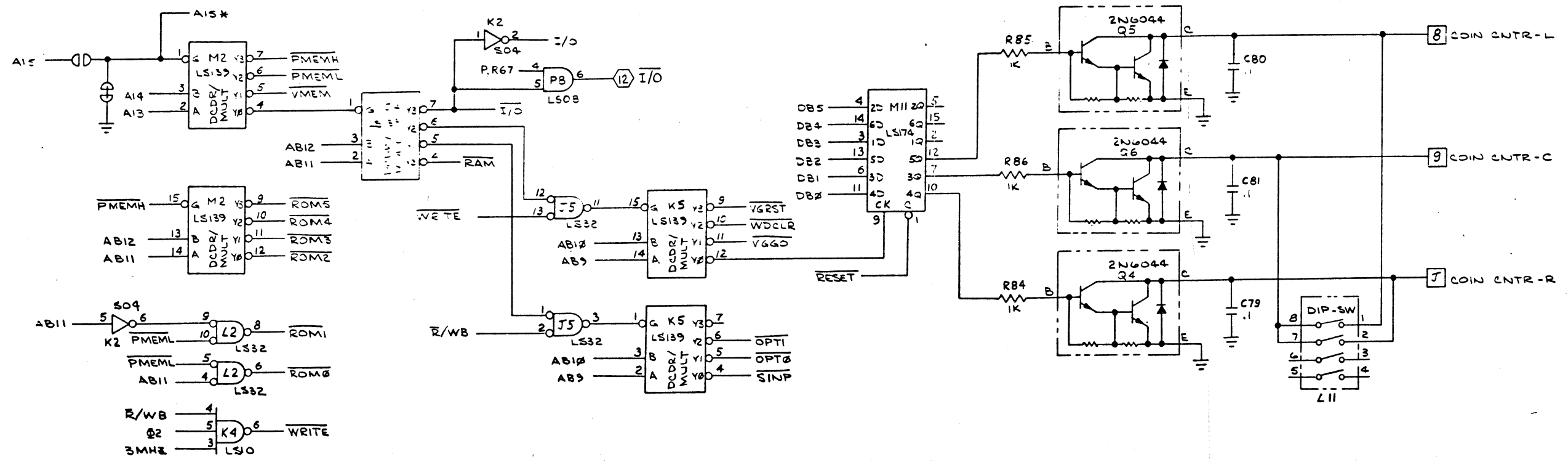
NOTE:  
 \* USE NUMBERS IN PARENTHESES IF BOARD CONTAINS AMB304B INSTEAD OF 74LS245, 2 PLACES THIS PAGE.

**HISTORY PRINT**

SYNC, RESET, MICROPROCESSOR

|  |                                 |  |
|--|---------------------------------|--|
|  |                                 | Atari, Inc.<br>1265 Borregas Avenue<br>Sunnyvale, Calif. 94095 |
| TITLE SCHEMATIC,<br>6502A ANALOG VECTOR<br>GENERATOR P.C. BD |                                 |  |
| SIZE<br><b>D</b>   | DRAWING NO.<br><b>035742-XX</b> | REV<br><b>B</b>  |
| SCALE  | SHEET 2 OF 7                    |  |

| REVISIONS |               |      |       |          |
|-----------|---------------|------|-------|----------|
| SYM       | DESCRIPTION   | DATE | INCRP | APPROVED |
| -         | SEE SHEET ONE |      |       |          |



PHOTOCOPIED  
REPRINT

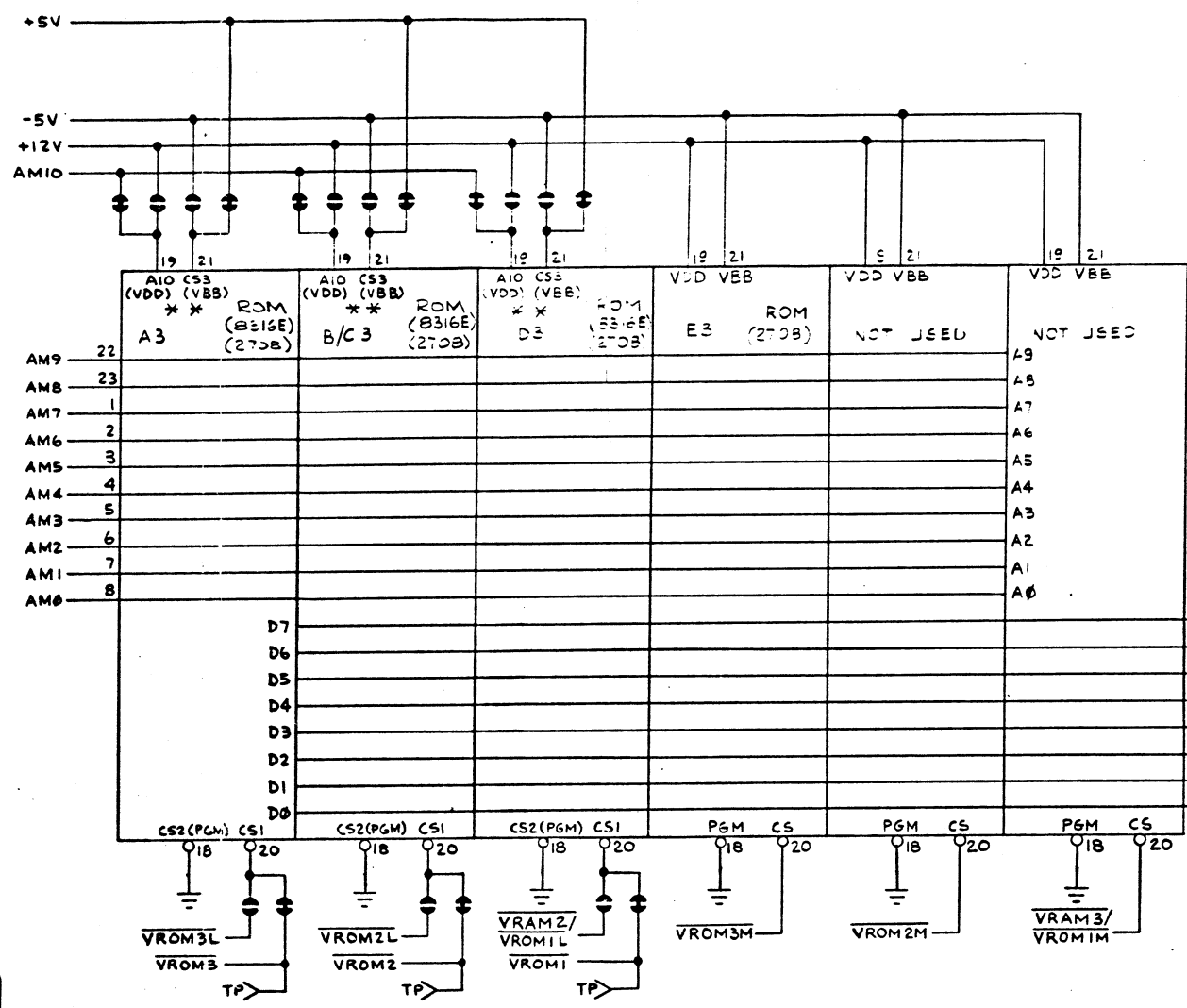
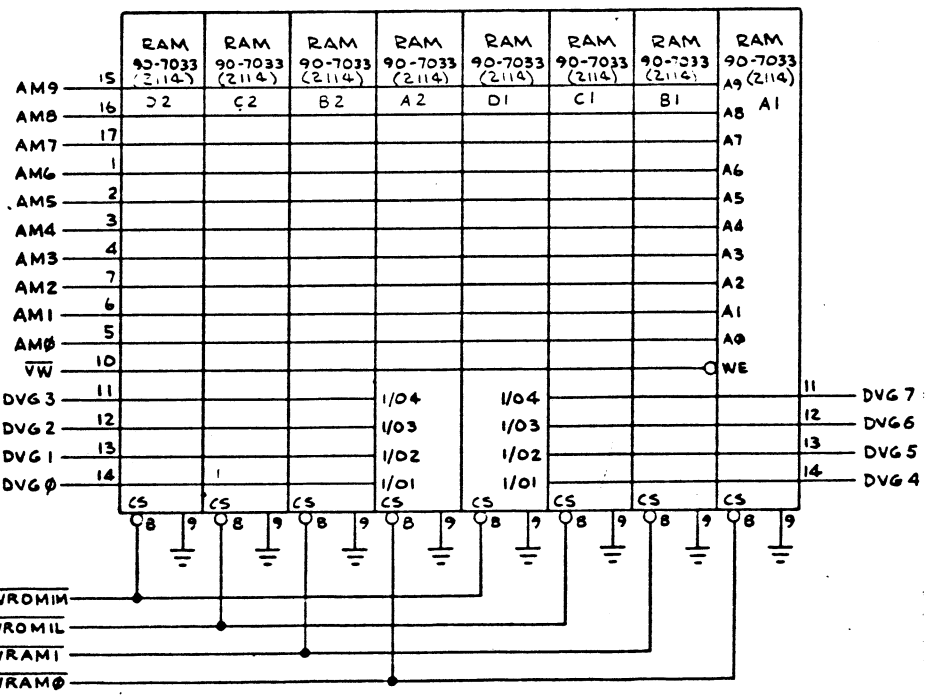
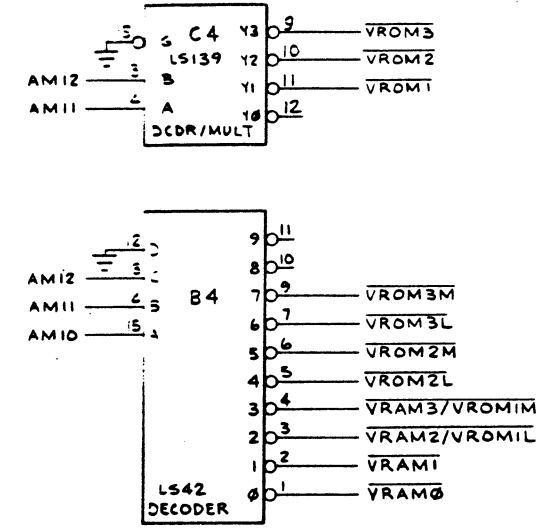
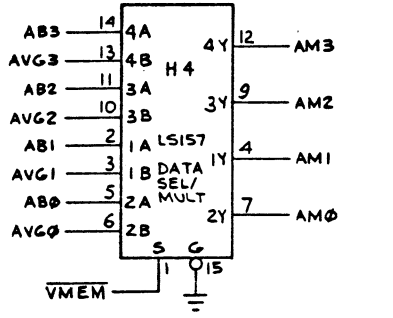
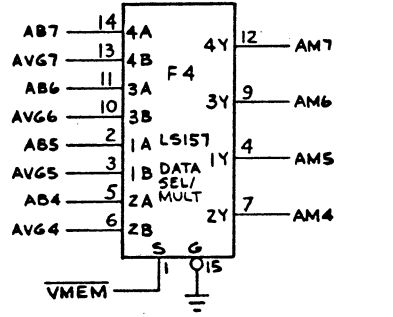
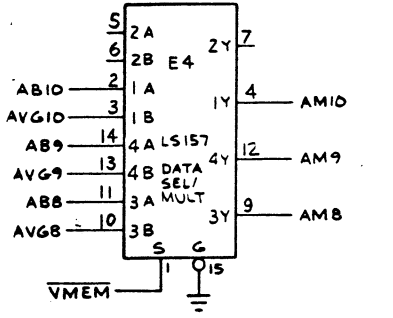
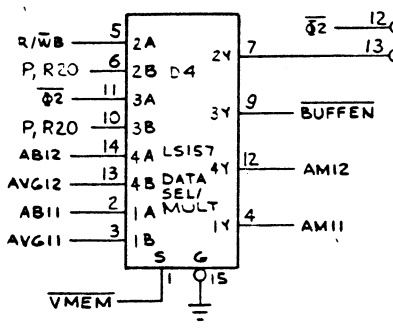
DECODE, COIN DRIVER, MEMORY

ATARI  
1265 Borregas Avenue  
Sunnyvale, Calif. 94086

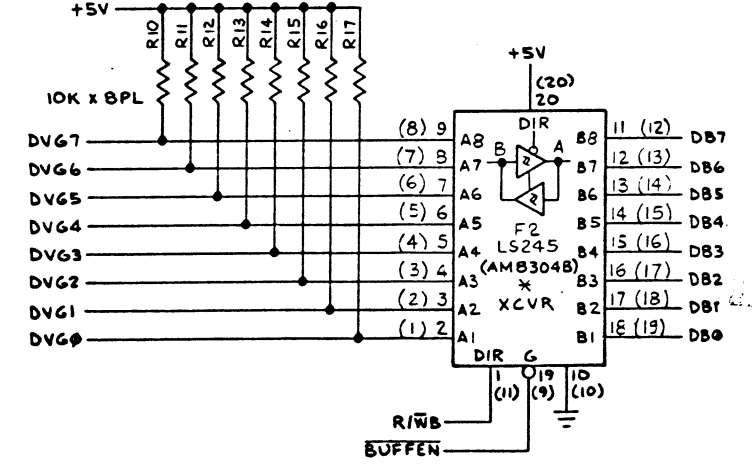
TITLE  
SCHEMATIC,  
6502A ANALOG VECTOR  
GENERATOR P.C. BD

|           |                          |          |
|-----------|--------------------------|----------|
| SIZE<br>D | DRAWING NO.<br>035742-XX | REV<br>B |
| SCALE     | SHEET 3 OF 7             |          |

| REVISIONS |             |      |        |          |
|-----------|-------------|------|--------|----------|
| SYM       | DESCRIPTION | DATE | INCORP | APPROVED |
| -         | SEE SHEET 1 |      |        |          |



NOTE:  
 \*\* SPLIT PAD CONNECTIONS APPLICABLE TO USE OF B316E'S. USE OF 2708'S REQUIRE BRIDGING OF OPEN PADS AND CUTTING OF CONNECTED PADS, 3 PLACES, THIS PAGE



NOTE: \* USE NUMBERS IN PARENTHESES IF BOARD CONTAINS AMB304B INSTEAD OF 74LS245

VECTOR MUX, VECTOR MEM

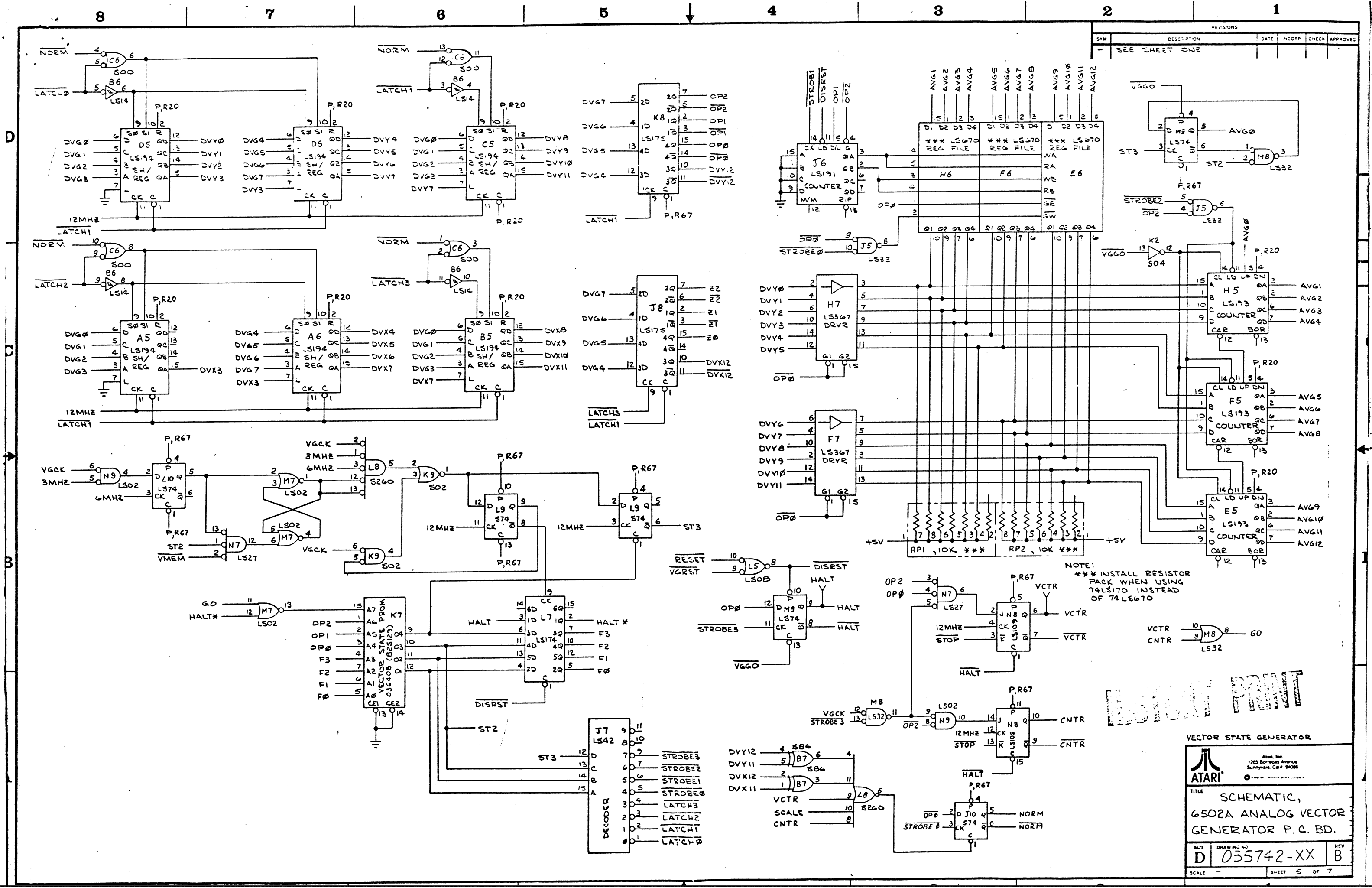
ATARI  
 1265 Borregas Avenue  
 Sunnyvale, Calif. 94088

TITLE  
 SCHEMATIC,  
 6502A ANALOG VECTOR  
 GENERATOR P.C. BD.

SIZE D DRAWING NO. 035742-XX REV B

SCALE SHEET 2 OF 7

| REVISIONS |               |      |         |       |          |
|-----------|---------------|------|---------|-------|----------|
| SYM       | DESCRIPTION   | DATE | IN CORP | CHECK | APPROVED |
| -         | SEE SHEET ONE |      |         |       |          |



**PRINT**

VECTOR STATE GENERATOR

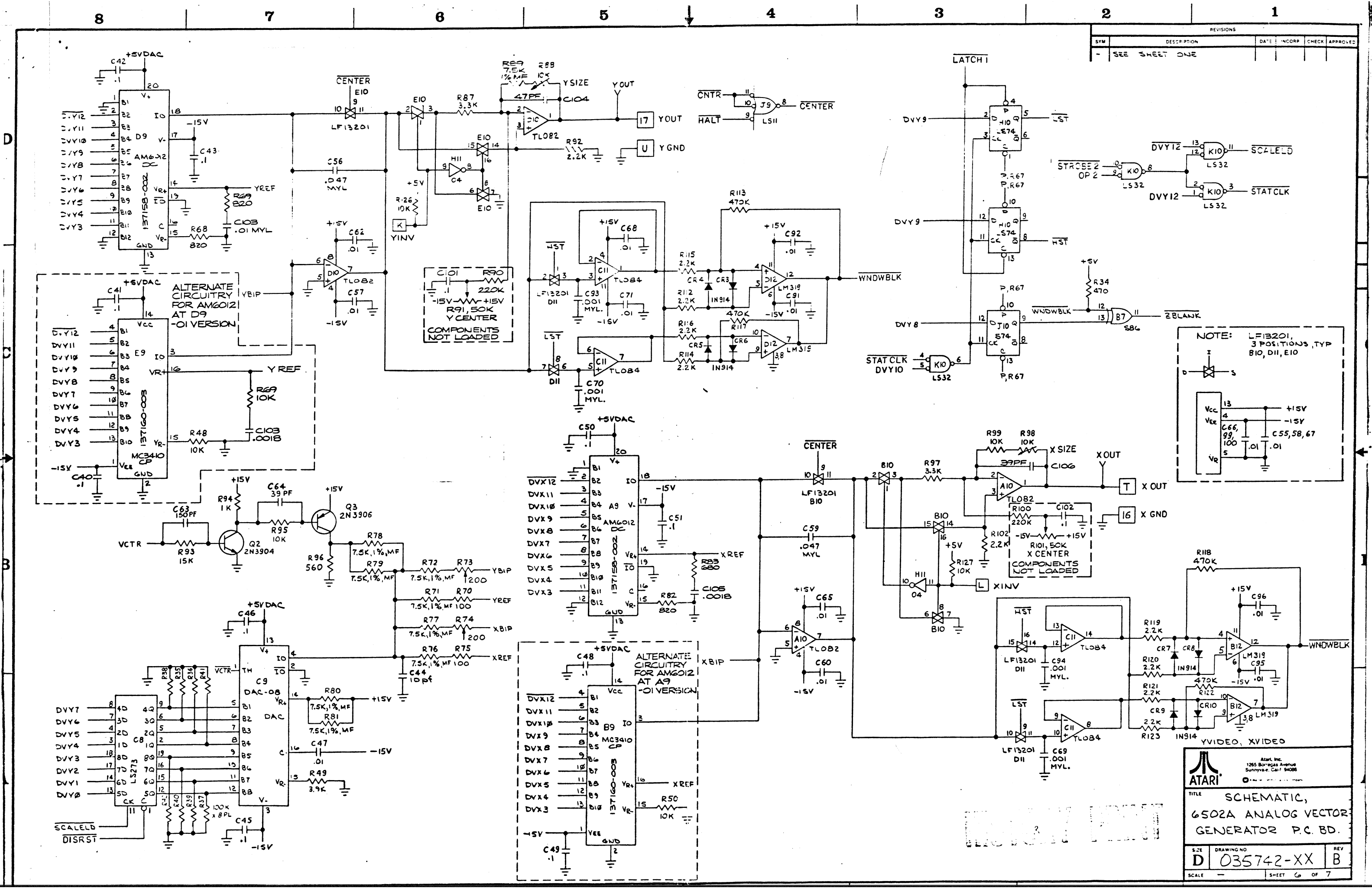
ATARI  
1265 Borregas Avenue  
Sunnyvale, Calif 94088

TITLE: SCHEMATIC, 6502A ANALOG VECTOR GENERATOR P.C. BD.

SIZE: D  
DRAWING NO: 035742-XX  
REV: B

SCALE: - SHEET 5 OF 7

| REVISIONS |               |      |        |                |
|-----------|---------------|------|--------|----------------|
| SYM       | DESCRIPTION   | DATE | INCORP | CHECK APPROVED |
| -         | SEE SHEET ONE |      |        |                |



NOTE: LF13201, 3 POSITIONS, TYP B10, D11, E10

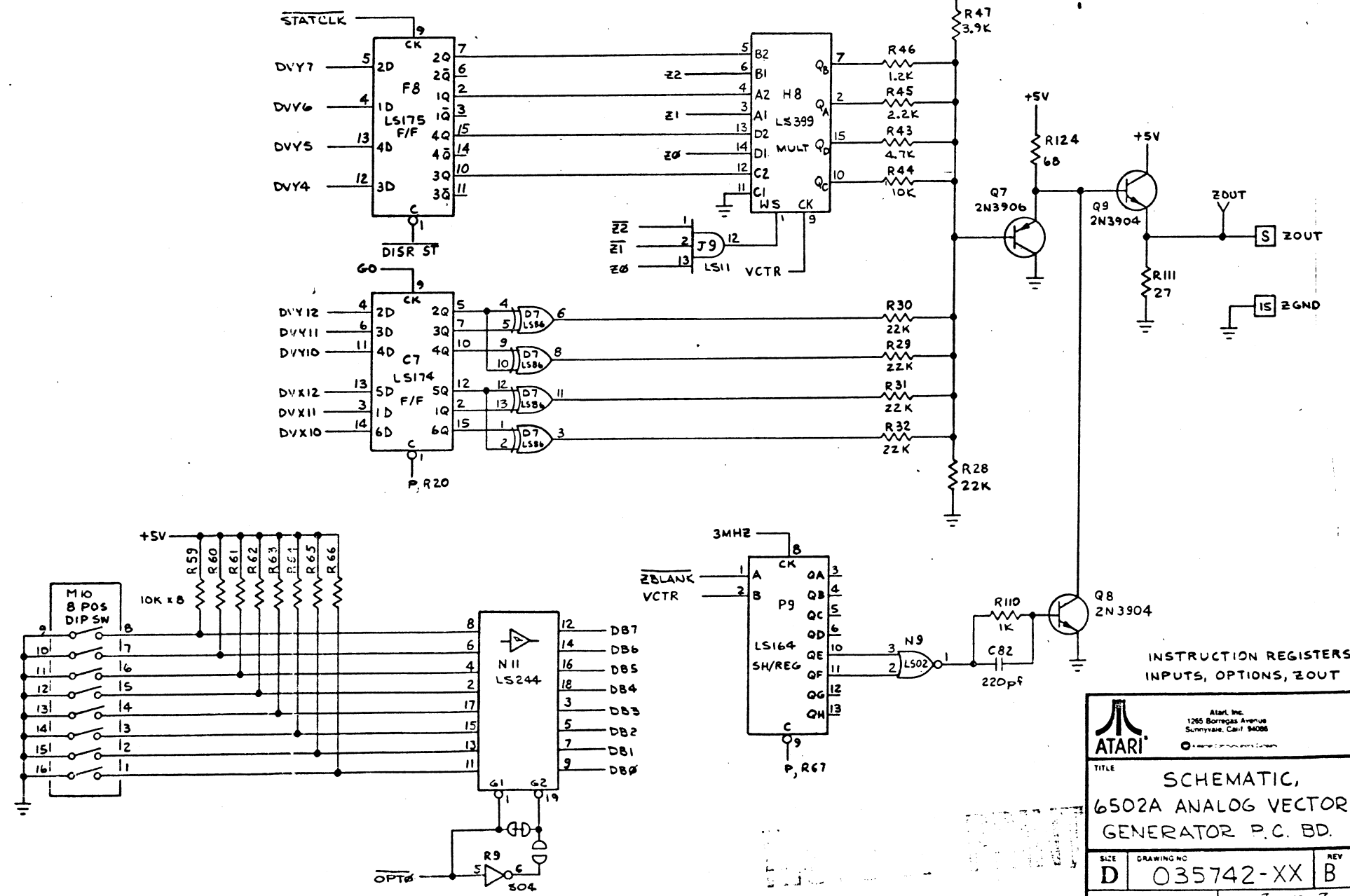
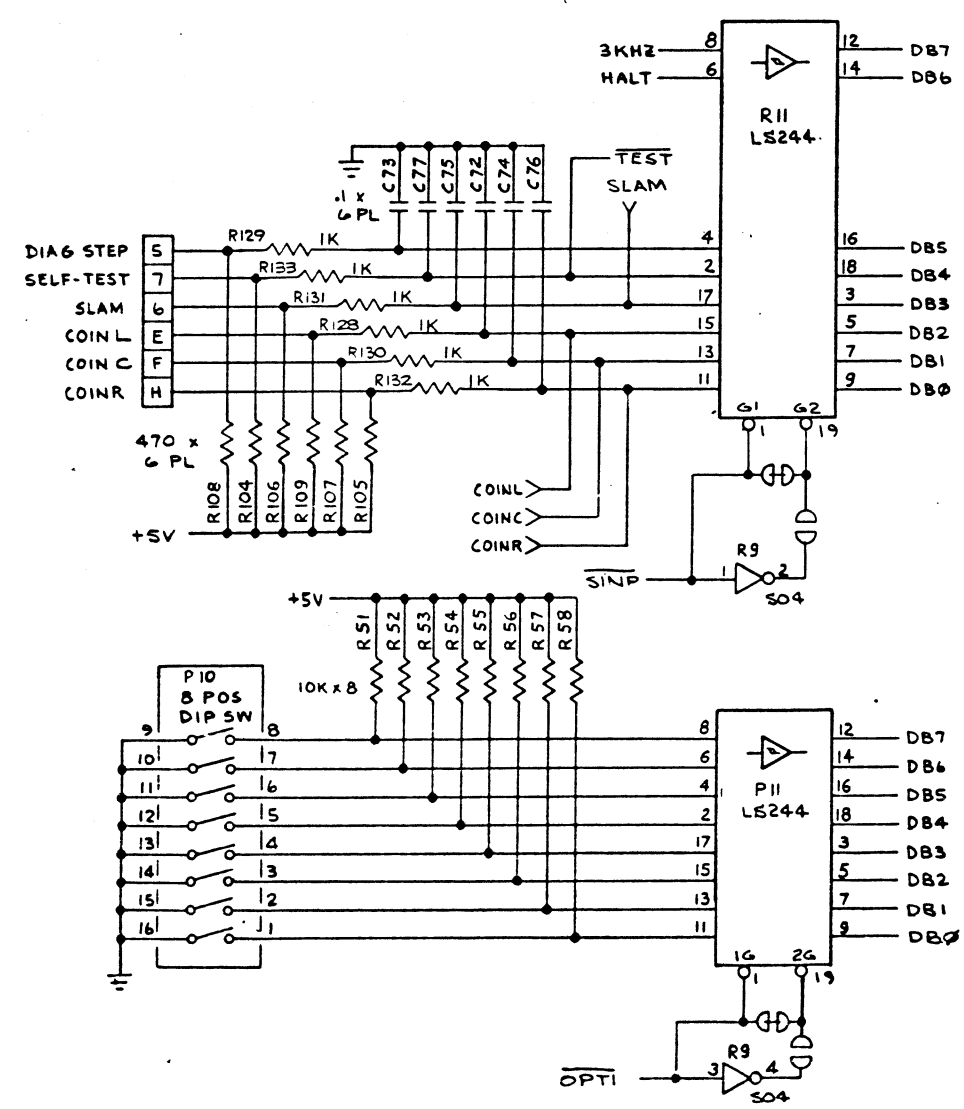
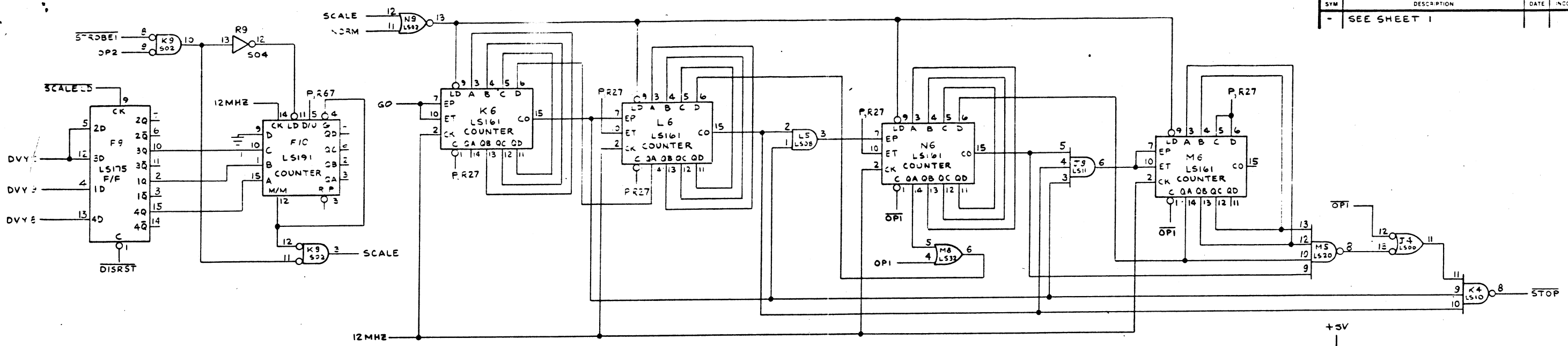
ATARI  
1265 Borregas Avenue  
Sunnyvale, Calif. 94086

TITLE SCHEMATIC,  
6502A ANALOG VECTOR  
GENERATOR P.C. BD.

D 035742-XX B

SCALE - SHEET 6 OF 7

| REVISIONS |             |      |       |       |          |
|-----------|-------------|------|-------|-------|----------|
| SYM       | DESCRIPTION | DATE | INCRP | CHECK | APPROVED |
| -         | SEE SHEET 1 |      |       |       |          |



INSTRUCTION REGISTERS INPUTS, OPTIONS, ZOUT

Atari, Inc.  
1265 Borregas Avenue  
Sunnyvale, Calif. 94088

TITLE  
**SCHEMATIC,  
6502A ANALOG VECTOR  
GENERATOR P.C. BD.**

SIZE D DRAWING NO. 035742-XX REV B

SCALE - SHEET 7 OF 7

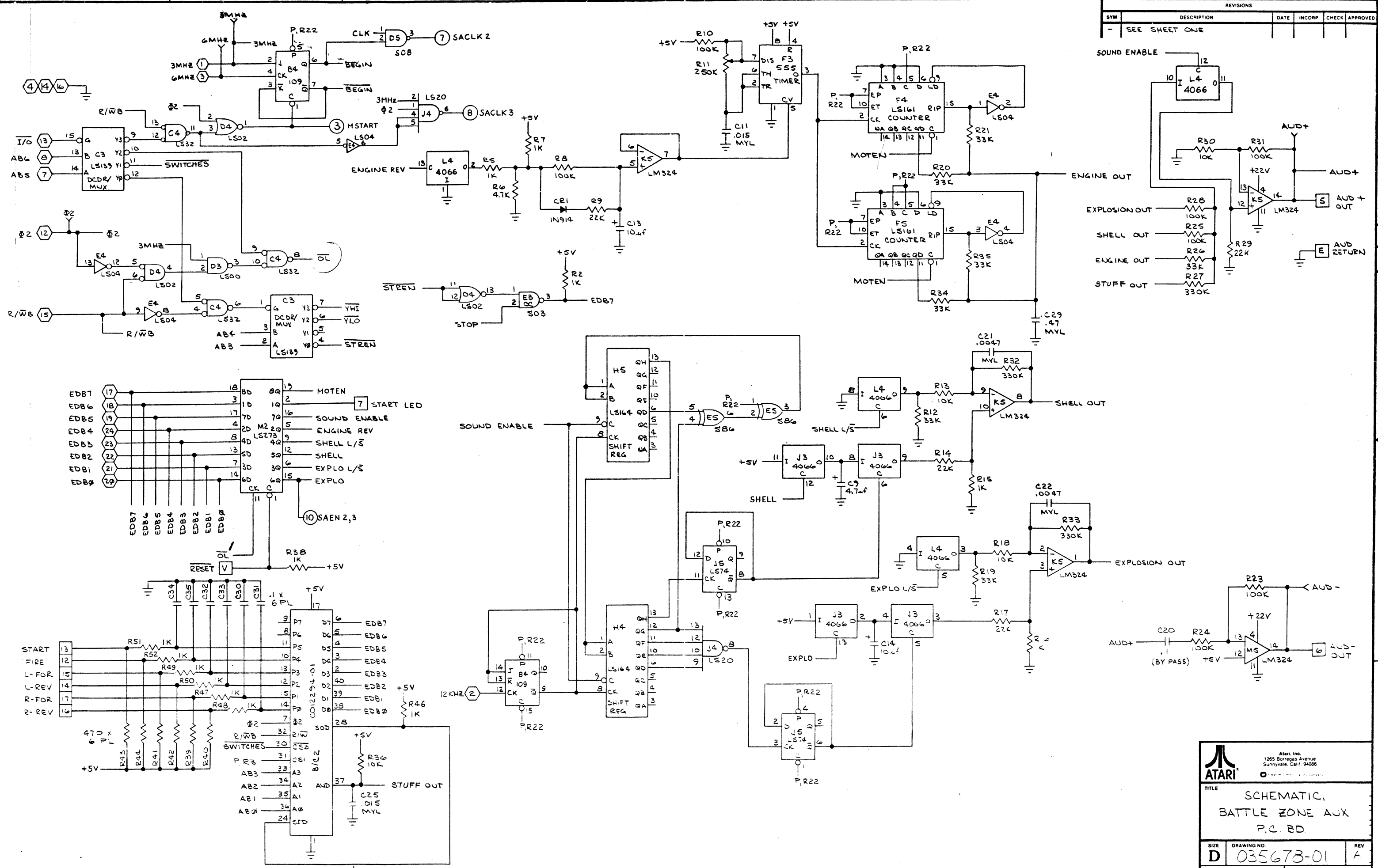
| REVISIONS |               |      |       |                |
|-----------|---------------|------|-------|----------------|
| SYM       | DESCRIPTION   | DATE | INCRP | CHECK APPROVED |
| -         | SEE SHEET ONE |      |       |                |

D

C

B

A



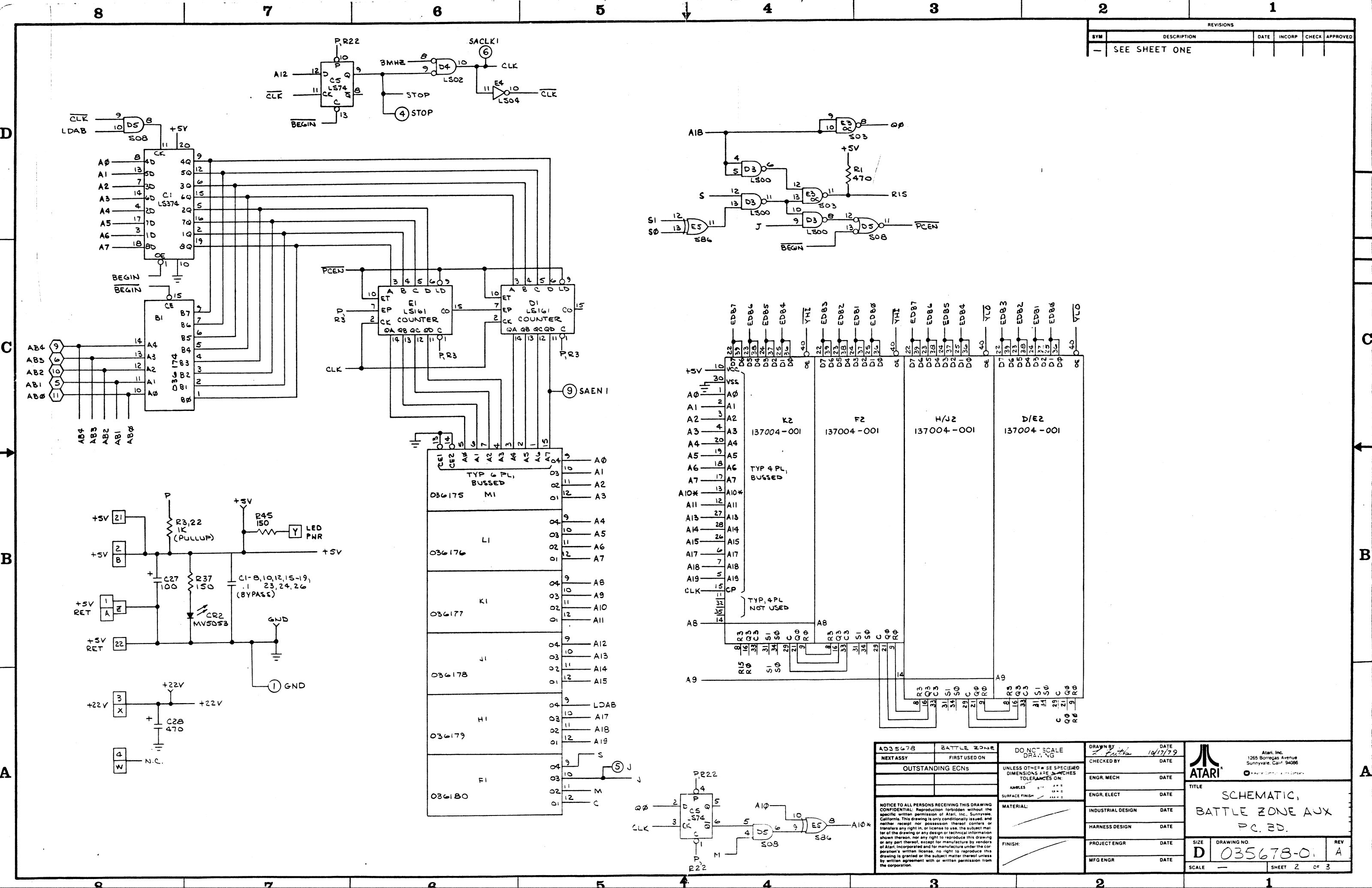
ATARI  
 1265 Borregas Avenue  
 Sunnyvale, Calif. 94086

TITLE  
 SCHEMATIC,  
 BATTLE ZONE AUX  
 P.C. BD.

|           |                          |          |
|-----------|--------------------------|----------|
| SIZE<br>D | DRAWING NO.<br>035678-01 | REV<br>A |
| SCALE     | SHEET 3 of 3             |          |



| REVISIONS |               |      |       |                |
|-----------|---------------|------|-------|----------------|
| SYM       | DESCRIPTION   | DATE | INCRP | CHECK APPROVED |
| -         | SEE SHEET ONE |      |       |                |



|   |               |   |   |  |
|---|---------------|---|---|--|
| AD35678   | BATTLE ZONE   | DO NOT SCALE DRAWING  | DRAWN BY: <i>Z. L...</i> DATE: 10/17/79 | Atari, Inc.<br>1265 Borregas Avenue<br>Sunnyvale, Calif. 94086 |
| NEXT ASSY   | FIRST USED ON |   | CHECKED BY: DATE:                       |  |
| OUTSTANDING ECNS  |               | UNLESS OTHERWISE SPECIFIED DIMENSIONS ARE IN INCHES TOLERANCES ON:          | ENGR. MECH DATE                         | TITLE  |
|   |               | ANGLES: 30° 45° 60° 90° 120° 135° 150° 180° SURFACE FINISH: AS MANUFACTURED | ENGR. ELECT DATE                        | SCHEMATIC,<br>BATTLE ZONE AUX<br>PC. BD.                       |
|   |               | MATERIAL:   | INDUSTRIAL DESIGN DATE                  |  |
|   |               | FINISH:   | HARNES DESIGN DATE                      |  |
|   |               |   | PROJECT ENGR DATE                       |  |
| NOTICE TO ALL PERSONS RECEIVING THIS DRAWING: CONFIDENTIAL. Reproduction forbidden without the specific written permission of Atari, Inc., Sunnyvale, California. This drawing is only conditionally issued, and neither receipt nor possession thereof confers or transfers any right in, or license to use, the subject matter of the drawing or any design or technical information shown thereon, nor any right to reproduce this drawing or any part thereof, except for manufacture by vendors of Atari, Incorporated and for manufacture under the corporation's written license, no right to reproduce this drawing is granted or the subject matter thereof unless by written agreement with or written permission from the corporation. |               |   | MFG ENGR DATE<br>SCALE: — SHEET 2 OF 3  | REV: A   |

| IC CHART      |                   |     |      |      |      |      |     | UNUSED GATES |
|---------------|-------------------|-----|------|------|------|------|-----|--------------|
| TYPE          | VOLTAGE / PIN NO. |     |      |      |      |      |     |              |
|               | GND               | +5V | +22V | +12V | +15V | -15V | -5V |              |
| 74LS00        | 7                 | 14  |      |      |      |      |     |              |
| 74LS02        | 7                 | 14  |      |      |      |      |     |              |
| 74LS03        | 7                 | 14  |      |      |      |      |     | E3           |
| 74LS04        | 7                 | 14  |      |      |      |      |     |              |
| 7407          | 7                 | 14  |      |      |      |      |     |              |
| 74S08         | 7                 | 14  |      |      |      |      |     |              |
| 74LS20        | 7                 | 14  |      |      |      |      |     |              |
| 74LS32        | 7                 | 14  |      |      |      |      |     | C4           |
| 74LS74        | 7                 | 14  |      |      |      |      |     |              |
| 74S86         | 7                 | 14  |      |      |      |      |     |              |
| 74109         | 8                 | 16  |      |      |      |      |     |              |
| 74LS139       | 8                 | 16  |      |      |      |      |     |              |
| 74LS161       | 8                 | 16  |      |      |      |      |     |              |
| 74LS164       | 7                 | 14  |      |      |      |      |     |              |
| 74LS273       | 10                | 20  |      |      |      |      |     |              |
| 74LS374       | 10                | 20  |      |      |      |      |     |              |
| LM324         | 11                |     | 4    |      |      |      |     | M5, M5, M5   |
| 555           | 1                 | 8   |      |      |      |      |     |              |
| 4066          | 7                 | 14  |      |      |      |      |     |              |
| CO12294 - O1  | 1                 | 17  |      |      |      |      |     |              |
| 137004 - 001  | 30                | 10  |      |      |      |      |     |              |
| 82S123 (PROM) | 8                 | 16  |      |      |      |      |     |              |
| 82S129 (PROM) | 8                 | 16  |      |      |      |      |     |              |

| MEMORY MAP  |         |   |   |   |   |   |   |   |   |   |      |   |   |   |                    |
|-------------|---------|---|---|---|---|---|---|---|---|---|------|---|---|---|--------------------|
| HEX/DECIMAL | ADDRESS |   |   |   |   |   |   |   |   |   | DATA |   |   |   | FUNCTION           |
|             | 0       | 1 | 2 | 3 | 4 | 5 | 6 | 7 | 8 | 9 | 0    | 1 | 2 | 3 |                    |
|             | 1       | X | X | X | X | X | X | X | X | X | 0    | 0 | 0 | 0 | BOARD NOT ENABLED  |
|             | 0       | F | F | F | F | F | F | F | F | F | 0    | 0 | 0 | 0 | MBOX STATUS        |
|             | 2       | 0 | 1 | 5 | X | X | X | X | X | X | 0    | 0 | 0 | 0 | MBOX READ LOW      |
|             | 2       | 0 | 1 | 5 | X | X | X | X | X | X | 0    | 0 | 0 | 0 | MBOX READ HI       |
|             | 2       | 1 | X | X | X | X | X | X | X | X | 0    | 0 | 0 | 0 | SWITCHES           |
|             | 2       | 1 | X | X | X | X | X | X | X | X | 0    | 0 | 0 | 0 | MOTOR SOUND        |
|             | 2       | 1 | X | X | X | X | X | X | X | X | 0    | 0 | 0 | 0 | START LED          |
|             | 2       | 1 | X | X | X | X | X | X | X | X | 0    | 0 | 0 | 0 | SOUND ENABLE       |
|             | 2       | 1 | X | X | X | X | X | X | X | X | 0    | 0 | 0 | 0 | ENGINE REV.        |
|             | 2       | 1 | X | X | X | X | X | X | X | X | 0    | 0 | 0 | 0 | SHELL LOUDNESS     |
|             | 2       | 1 | X | X | X | X | X | X | X | X | 0    | 0 | 0 | 0 | SHELL SOUND        |
|             | 2       | 1 | X | X | X | X | X | X | X | X | 0    | 0 | 0 | 0 | EXPLOSION LOUDNESS |
|             | 2       | 1 | X | X | X | X | X | X | X | X | 0    | 0 | 0 | 0 | EXPLOSION SOUND    |
|             | C       | 1 | A | A | A | A | A | A | A | A | 0    | 0 | 0 | 0 | MBOX START         |

| REVISIONS |                     |         |       |       |          |
|-----------|---------------------|---------|-------|-------|----------|
| SYM       | DESCRIPTION         | DATE    | INCRP | CHECK | APPROVED |
| 3         | PRE - PROD. RELEASE | 6/18/80 | EM    |       |          |
| A         | PROD REL.           | 7/4/80  | EM    |       |          |

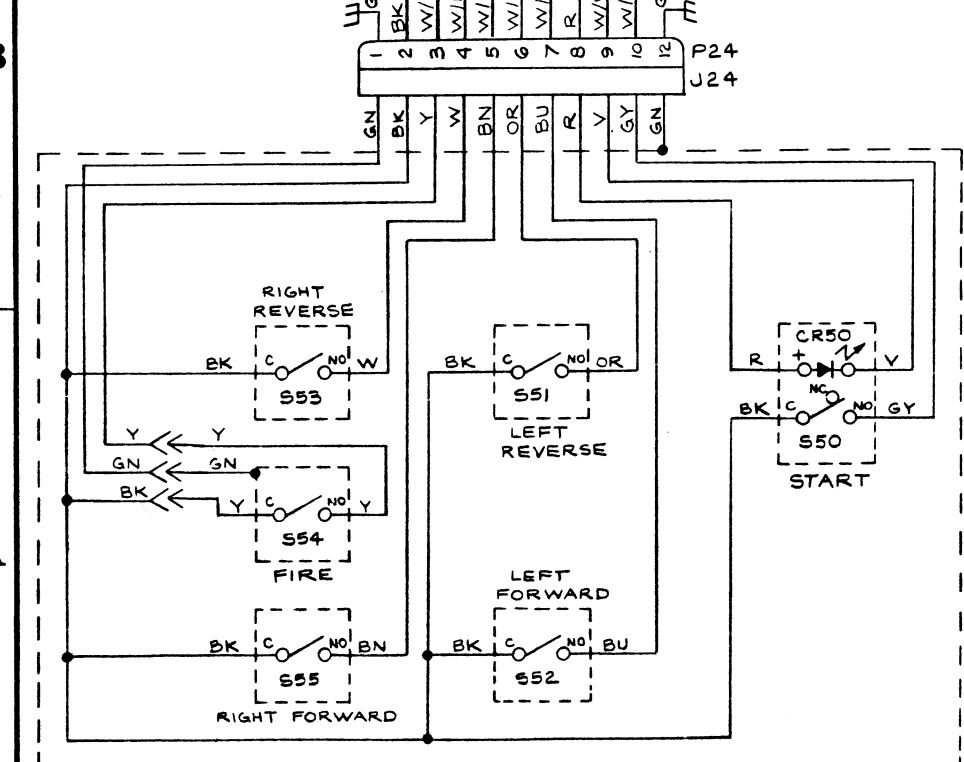
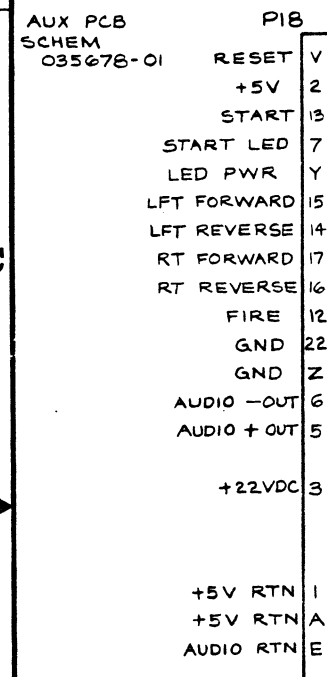
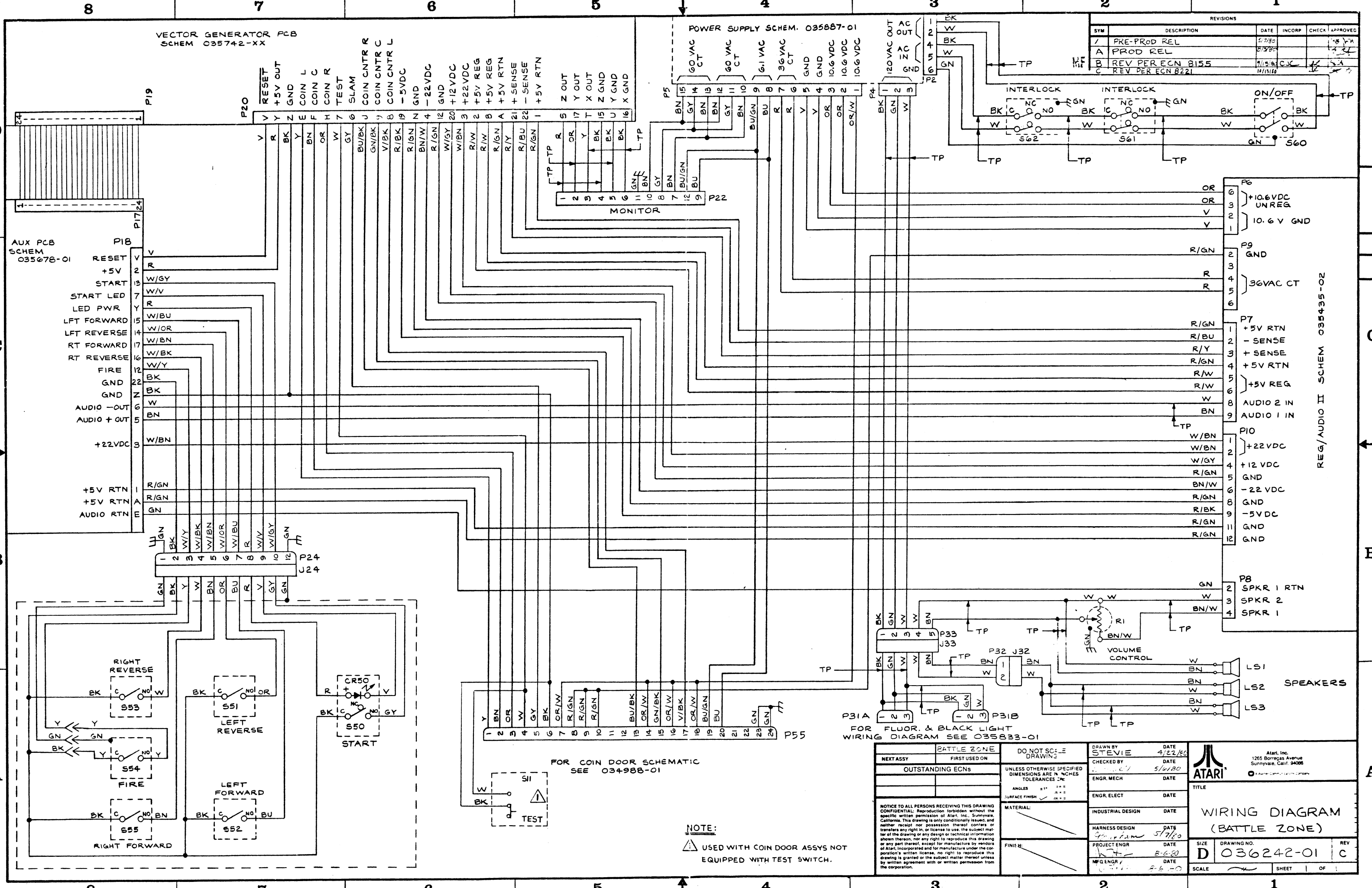
| REFERENCE DESIG |          |
|-----------------|----------|
| HIGHEST         | NOT USED |
| R 52            | R 4      |
| C 35            |          |
| CR 2            |          |

- NOTES:
- 44 PIN EDGE CONNECTOR
  - 24 PIN STRIP CONNECTOR
  - 12 PIN TEST CONNECTOR

|  |               |  |  |
|--|---------------|--|--|
| A035678  | BATTLE ZONE   | DO NOT SCALE DRAWING   | DRAWN BY E M DATE 6/12/80                  |
| NEXT ASSY  | FIRST USED ON | UNLESS OTHERWISE SPECIFIED DIMENSIONS ARE IN INCHES TOLERANCES ON: | CHECKED BY DATE                            |
| OUTSTANDING ECNS   |               | ANGLES ±1° ±.2   | ENGR. MECH DATE                            |
|  |               | SURFACE FINISH ±.010   | ENGR. ELECT DATE 6/20/80                   |
|  |               | MATERIAL:  | INDUSTRIAL DESIGN DATE                     |
|  |               | FINISH:  | HARNES DESIGN DATE                         |
| NOTICE TO ALL PERSONS RECEIVING THIS DRAWING CONFIDENTIAL: Reproduction forbidden without the specific written permission of Atari, Inc., Sunnyvale, California. This drawing is only conditionally issued, and neither receipt nor possession thereof confers or transfers any right in, or license to use, the subject matter of the drawing or any design or technical information shown thereon, nor any right to reproduce this drawing or any part thereof, except for manufacture by vendors of Atari, Incorporated and for manufacture under the corporation's written license, no right to reproduce this drawing is granted or the subject matter thereof unless by written agreement with or written permission from the corporation. |               |  | PROJECT ENGR DATE 6/30/80                  |
|  |               |  | MFG ENGR DATE 7/1/80                       |
| ATARI<br>Atari, Inc.<br>1265 Borregas Avenue<br>Sunnyvale, Calif. 94086  |               |  | TITLE SCHEMATIC, BATTLE ZONE AUX. P.C. BD. |
| SIZE D   |               | DRAWING NO. A035678 - 01   | REV A                                      |
| SCALE -  |               | SHEET 1 OF 3   |  |

VECTOR GENERATOR PCB  
SCHEM 035742-XX

| REVISIONS |                  |          |       |                |
|-----------|------------------|----------|-------|----------------|
| SYM       | DESCRIPTION      | DATE     | INCRP | CHECK APPROVED |
| 1         | PRE-PROD REL     | 5/7/80   |       |                |
| A         | PROD REL         | 8/19/80  |       |                |
| B         | REV PER ECN 8155 | 11/15/80 |       |                |
| C         | REV PER ECN 8221 | 11/15/80 |       |                |



NOTE:  
⚠ USED WITH COIN DOOR ASSYS NOT EQUIPPED WITH TEST SWITCH.

FOR COIN DOOR SCHEMATIC SEE 034988-01

FOR FLUOR. & BLACK LIGHT WIRING DIAGRAM SEE 035833-01

|   |               |   |  |                              |                              |   |  |
|---|---------------|---|--|------------------------------|------------------------------|---|--|
| BATTLE ZONE   |               | DO NOT SCALE DRAWING  |  | DRAWN BY STEVIE DATE 4/22/80 |                              | ATARI<br>Atari, Inc.<br>1265 Borregas Avenue<br>Sunnyvale, Calif. 94086 |  |
| NEXT ASSY   | FIRST USED ON | UNLESS OTHERWISE SPECIFIED DIMENSIONS ARE IN INCHES TOLERANCES ARE: |  | CHECKED BY DATE 5/6/80       | TITLE                        |   |  |
| OUTSTANDING ECNS  |               | ANGLES ±1° ±.5° SURFACE FINISH ✓                                    |  | ENGR. MECH DATE              | WIRING DIAGRAM (BATTLE ZONE) |   |  |
| NOTICE TO ALL PERSONS RECEIVING THIS DRAWING: Reproduction forbidden without the specific written permission of Atari, Inc., Sunnyvale, California. This drawing is only conditionally issued, and neither receipt nor possession thereof confers or transfers any right in, or license to use, the subject matter of the drawing or any design or technical information shown thereon, nor any right to reproduce this drawing or any part thereof, except for manufacture by vendors of Atari, Incorporated and for manufacture under the corporation's written license, no right to reproduce this drawing is granted or the subject matter thereof unless by written agreement with or written permission from the corporation. |               | MATERIAL:   |  | ENGR. ELECT DATE             | REV                          |   |  |
|   |               | FINISH:   |  | INDUSTRIAL DESIGN DATE       | D 036242-01 C                |   |  |
|   |               |   |  | HARNESS DESIGN DATE 5/7/80   | SIZE DRAWING NO. SHEET OF    |   |  |
|   |               |   |  | PROJECT ENGR DATE 8-6-80     | SCALE                        |   |  |
|   |               |   |  | MFG ENGR DATE 8-6-80         | SHEET OF                     |   |  |

REG/AUDIO II SCHEM 035435-02