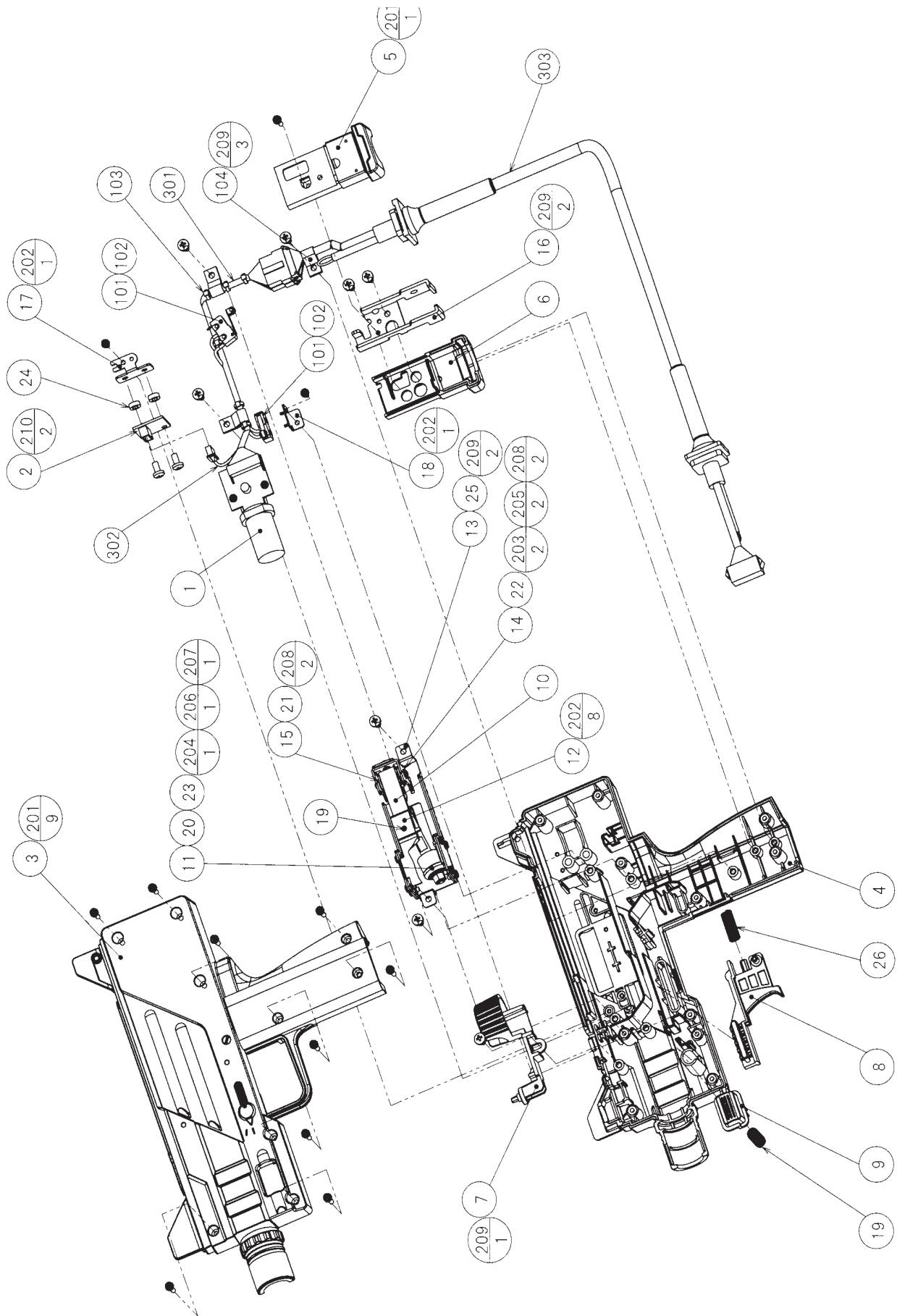


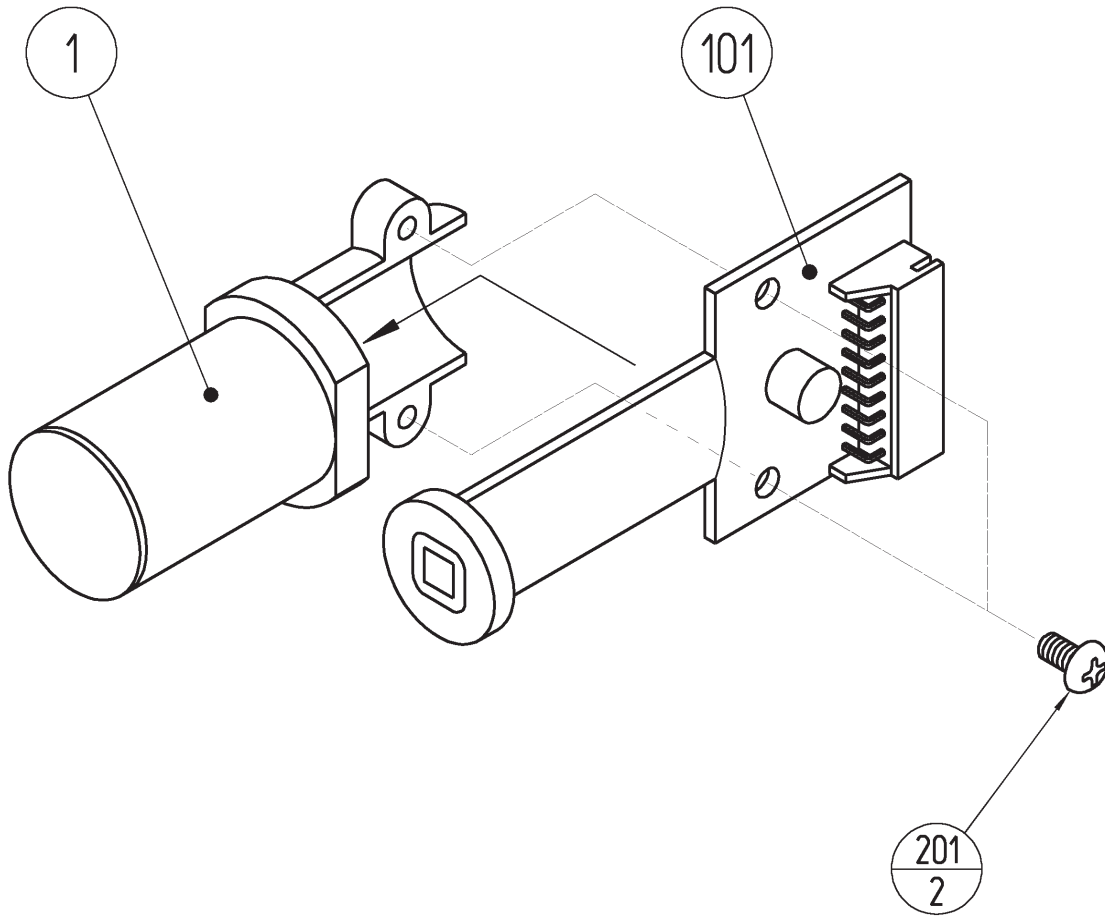
24 CONTROL UNIT (HDF-2100)



24 CONTROL UNIT (HDF-2100)

ITEM NO.	PART NO.	DESCRIPTION	NOTE
1	JPT-2030	SENSOR UNIT	
2	515-30-322 (839-1280-N)	XY ACCELERATION BD	
3	515-50-320 (HDF-2101)	COVER L	
4	515-50-321 (HDF-2102)	COVER R	
5	515-30-323 (HDF-2103)	GRIPEND L	
6	515-30-324 (HDF-2104)	GRIPEND R	
7	515-30-325 (HDF-2105)	BOLT KNOB	
8	515-30-326 (HDF-2106)	TRIGGER	
9	515-30-327 (HDF-2107)	BUTTON	
10	515-30-328 (HDF-2108)	SPRING ARM	
11	515-30-329 (HDF-2109)	KNOCK ROLLER	
12	515-30-330 (HDF-2110)	KNOCK FRAME L	
13	515-30-331 (HDF-2111)	KNOCK FRAME R	
14	515-30-332 (HDF-2112)	JOINT BASE	
15	515-30-333 (HDF-2113)	JOINT	
16	515-30-334 (HDF-2114)	CORD FRAME	
17	515-30-335 (HDF-2115)	SENSOR BRKT	
18	515-30-336 (HDF-2116)	SWITCH BRKT	
19	515-30-337 (HDF-2117)	BUTTON SPRING	
20	515-30-338 (HDF-2118)	KNOCK SHAFT	
21	515-30-339 (HDF-2119)	JOINT PIN S	
22	515-30-340 (HDF-2120)	JOINT PIN L	
23	515-30-341 (HDF-2121)	KNOCK WEIGHT	
24	HDF-2124	SPACER COLLAR	
25	HDF-2125	MASK SEAL	
26	CTF-2123	TRIGGER SPRING	
101	509-5080	SW MICRO TYPE (SS-5GL2)	
102	310-5029-D20	SUMITUBE F D 20MM	
103	601-0460	PLASTIC TIE BELT 100 MM	
104	280-5124-04	NYLON CLAMP NK04	
201	FAS-000100	M SCR PH W/SMALL FS BLK M3 ~12	
202	FAS-000045	M SCR PH W/S BLK M3 ~6	
203	FAS-000153	M SCR PH W/S M3 ~4	
204	050-H00500	HEX NUT M5	
205	060-F00400	FLT WSHR M4	
206	060-F00500	FLT WSHR M5	
207	060-S00500	SPR WSHR M5	
208	065-E00300	E RING 3MM	
209	FAS-120029	TAP SCR P-TITE PH 4 ~8	
210	000-P00408	M SCR PH M4 ~8	
301	515-30-344 (HDF-60036X)	WH SENSE BD	
302	515-30-345 (HDF-60037)	WH XY ACCEL BD	
303	515-30-346 (HDF-60038)	WH CONTROLLER	

25) SENSOR UNIT (JPT-2030)



ITEM NO.	PART NO.	DESCRIPTION	NOTE
1	JPT-2031	SENSOR HOLDER	
101	838-13144R	SENSOR BD GUN SENSE	
201	012-P00306	TAP SCR #2 PH 3 x 6	