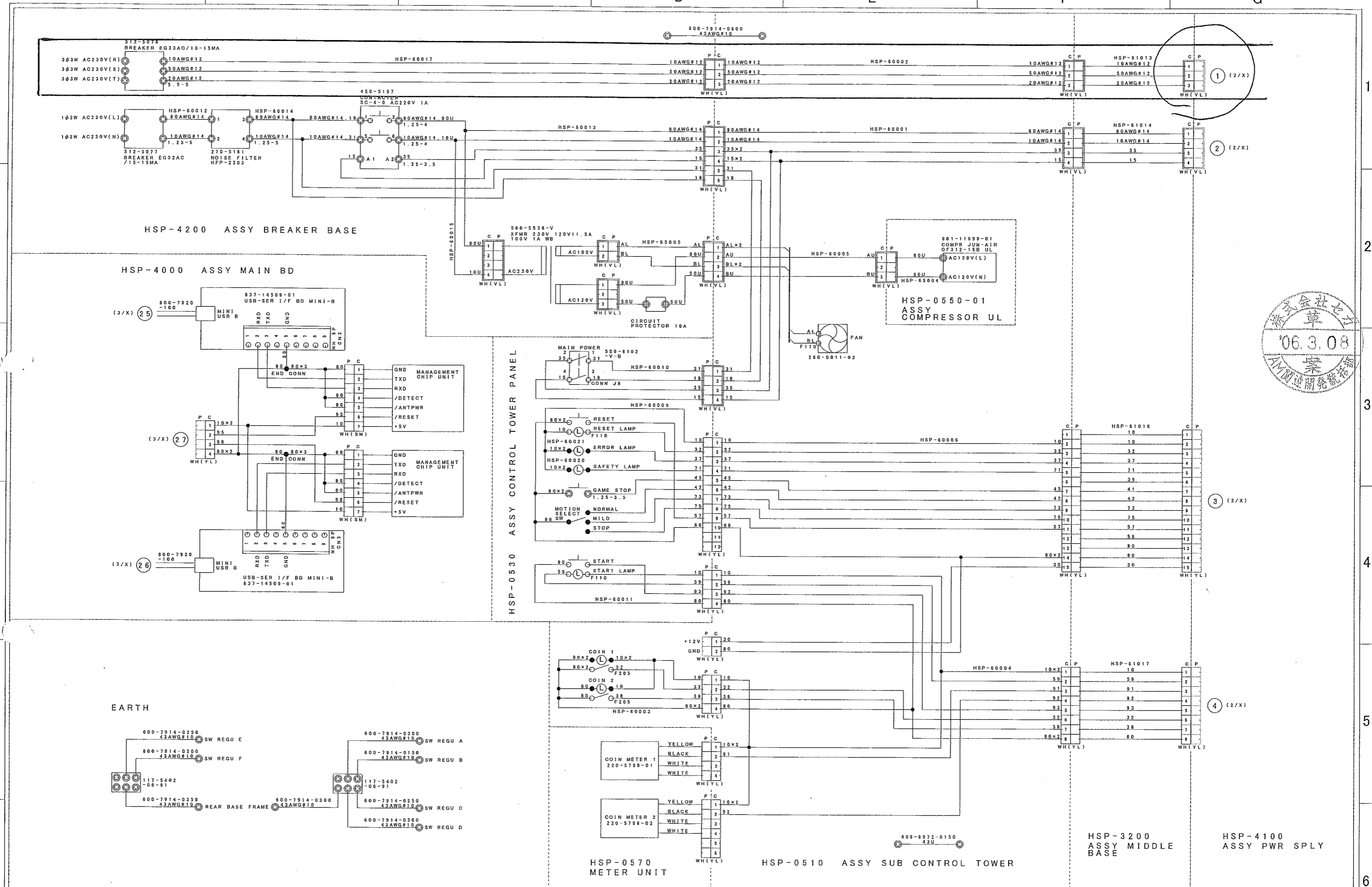
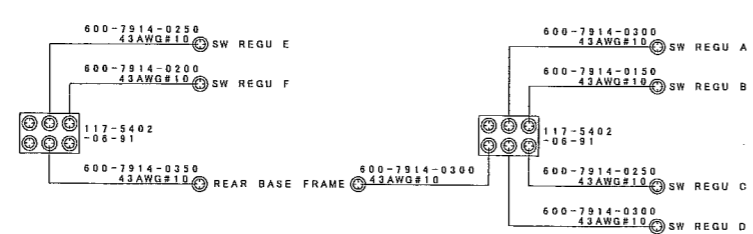


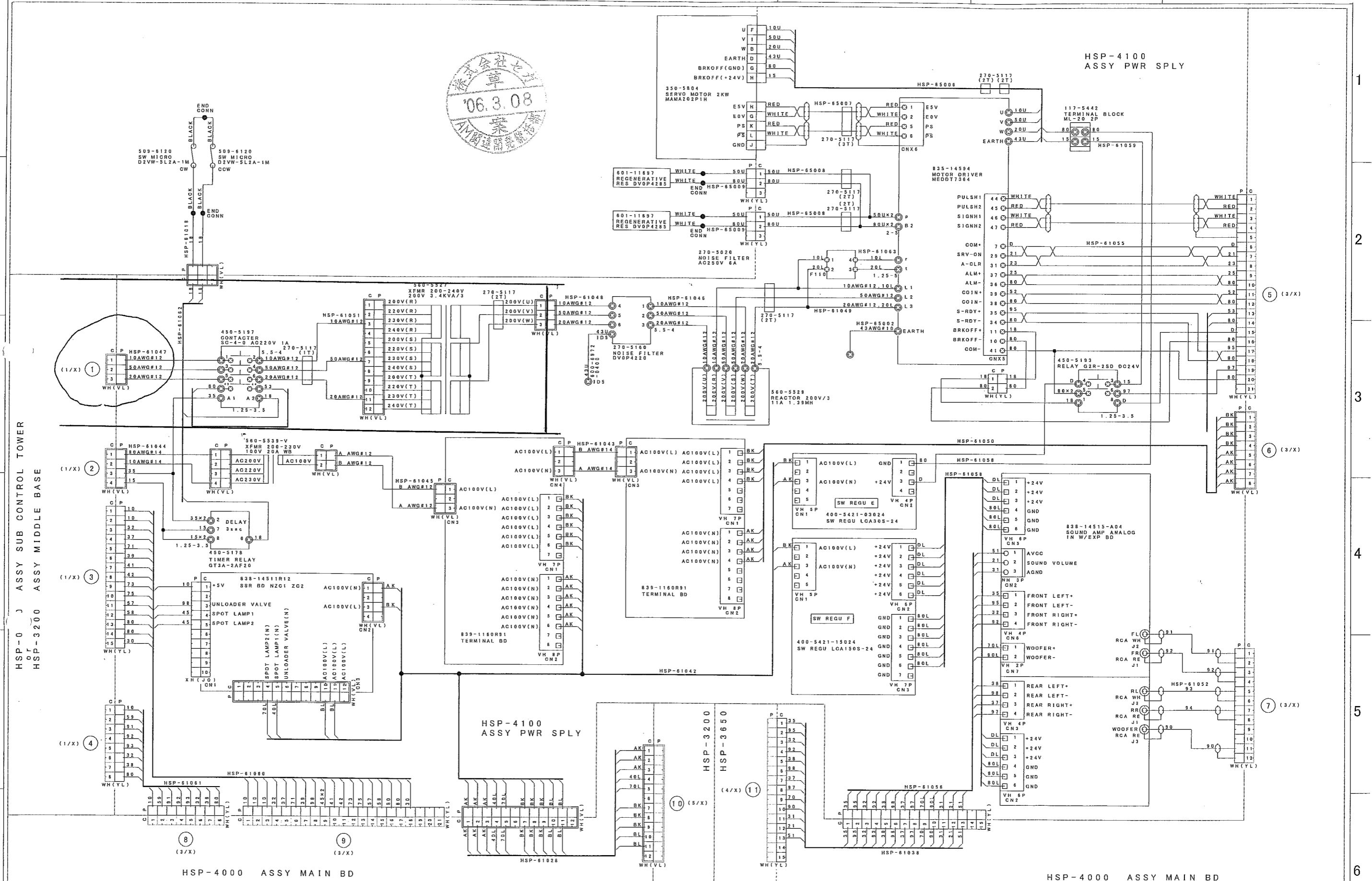
ALTERATION		<table border="1"> <tr><td>8</td><td>BLACK</td><td>E</td><td>LIGHT GREEN</td></tr> <tr><td>7</td><td>ORANGE</td><td>D</td><td>PURPLE</td></tr> <tr><td>6</td><td>WHITE</td><td>C</td><td>BROWN</td></tr> <tr><td>5</td><td>GREEN</td><td>B</td><td>SKY BLUE</td></tr> <tr><td>4</td><td>YELLOW</td><td>A</td><td>PINK</td></tr> <tr><td>3</td><td>BLUE</td><td>9</td><td>GRAY</td></tr> <tr><td>2</td><td>RED</td><td></td><td></td></tr> </table>		8	BLACK	E	LIGHT GREEN	7	ORANGE	D	PURPLE	6	WHITE	C	BROWN	5	GREEN	B	SKY BLUE	4	YELLOW	A	PINK	3	BLUE	9	GRAY	2	RED			<table border="1"> <tr><td>4S</td><td>EARTH WIRE</td></tr> <tr><td>U</td><td>AWG18 UL1015</td></tr> <tr><td>K</td><td>AWG18 UL1015</td></tr> <tr><td>L</td><td>AWG26 UL1087</td></tr> <tr><td>AWG22</td><td>UL1007</td></tr> </table>		4S	EARTH WIRE	U	AWG18 UL1015	K	AWG18 UL1015	L	AWG26 UL1087	AWG22	UL1007	<table border="1"> <tr><td>02/08-'08</td><td>02/08-'08</td><td>02/08-'08</td><td>02/08-'08</td></tr> </table>		02/08-'08	02/08-'08	02/08-'08	02/08-'08	<p>SEGA SEGA CORPORATION</p> <p>HSP OPTION USA</p>		<p>THIS DRAWING WILL IN NO WAY BE COPIED, TO BE RETURNED ON DEMAND.</p> <p>許可ナク複写複製等厳禁</p>		<p>(1 / 1)</p>	
8	BLACK	E	LIGHT GREEN																																																				
7	ORANGE	D	PURPLE																																																				
6	WHITE	C	BROWN																																																				
5	GREEN	B	SKY BLUE																																																				
4	YELLOW	A	PINK																																																				
3	BLUE	9	GRAY																																																				
2	RED																																																						
4S	EARTH WIRE																																																						
U	AWG18 UL1015																																																						
K	AWG18 UL1015																																																						
L	AWG26 UL1087																																																						
AWG22	UL1007																																																						
02/08-'08	02/08-'08	02/08-'08	02/08-'08																																																				



EARTH

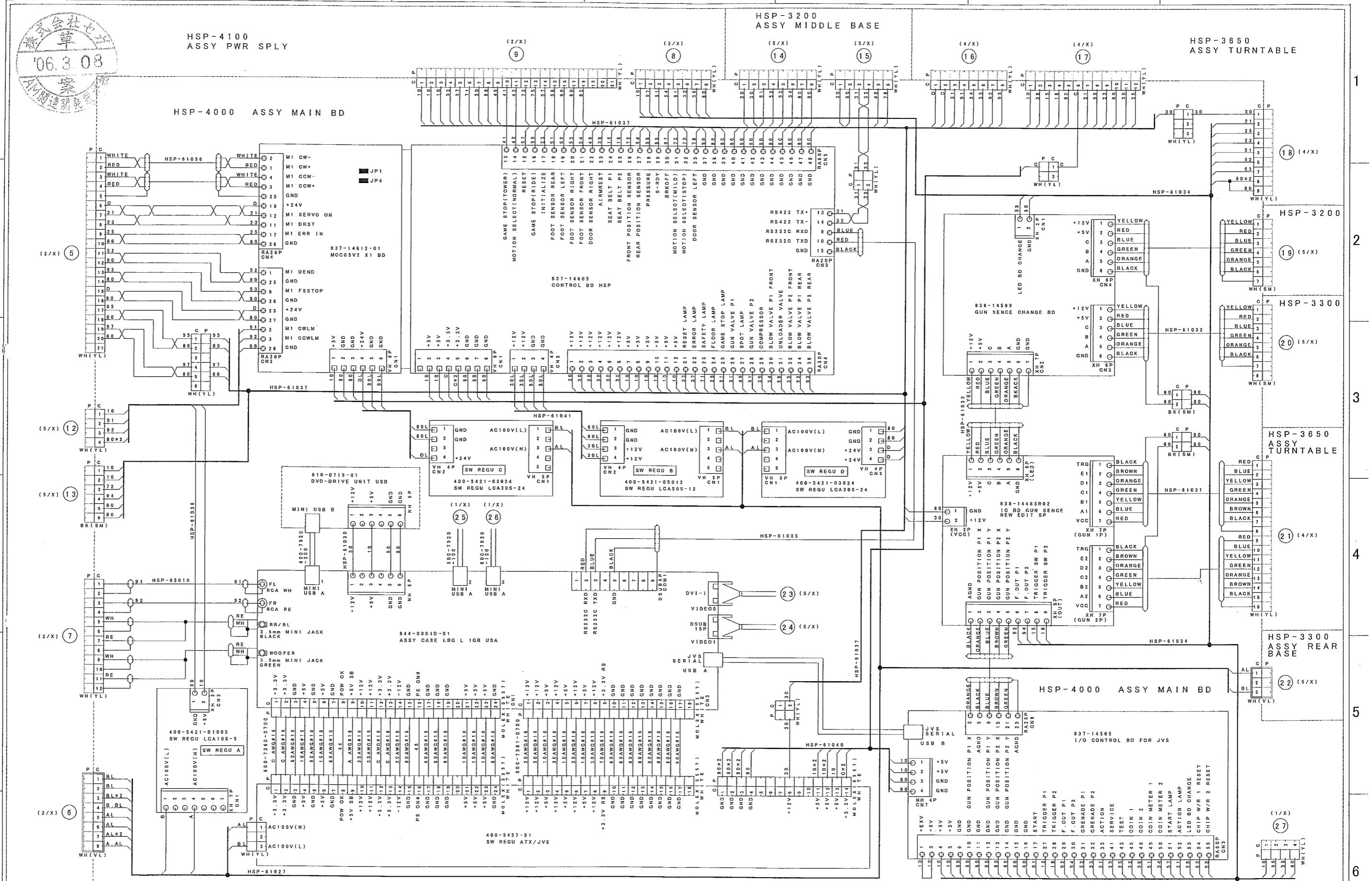


8	BLACK	E	LIGHT GREEN	43	EARTH WIRE
7	ORANGE	D	PURPLE		
5	WHITE	C	BROWN		
4	GREEN	B	SKY BLUE		
3	YELLOW	A	PINK		
2	BLUE		GRAY		
1	RED				



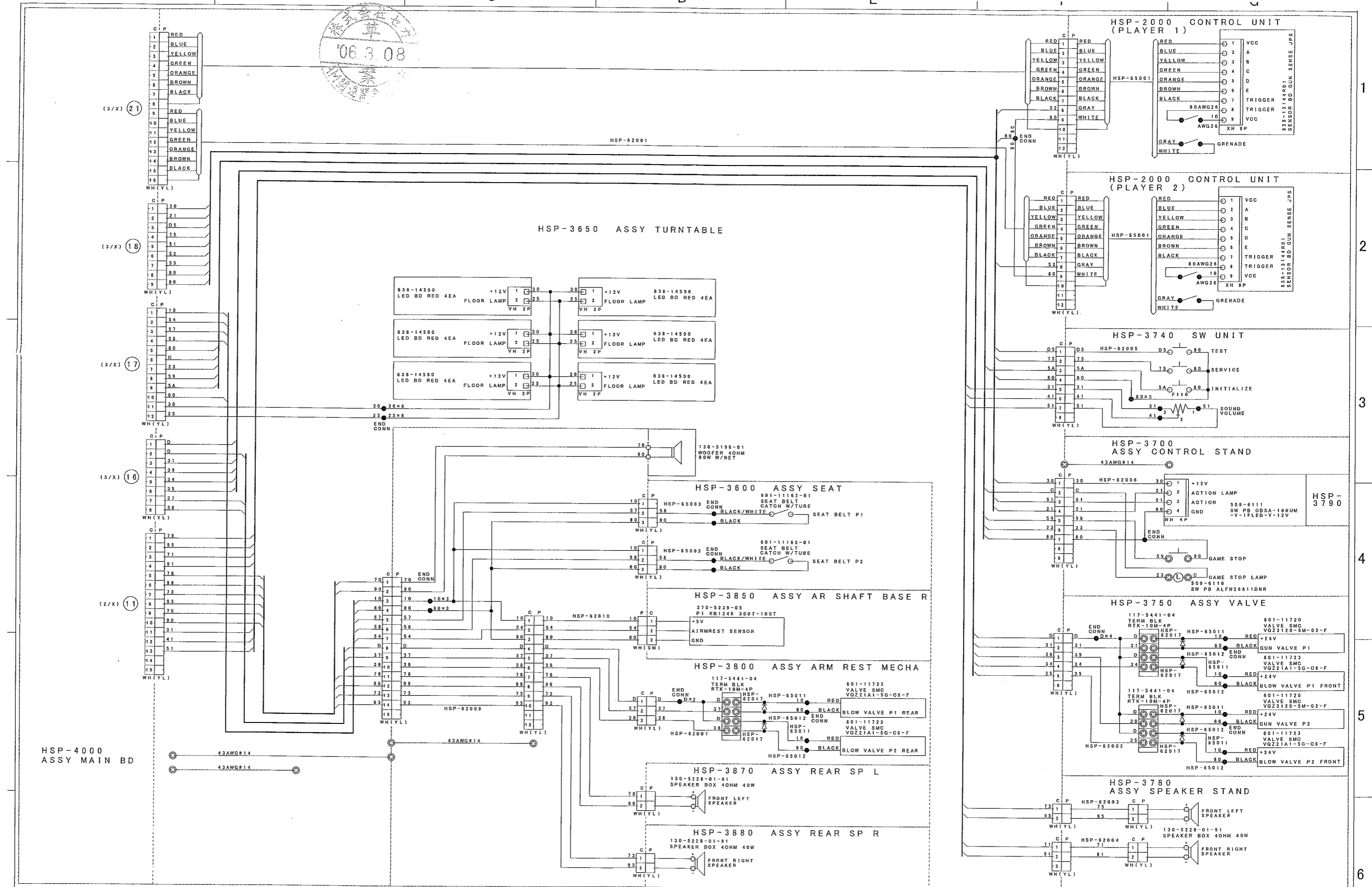
8 BLACK 7 ORANGE 6 WHITE 5 GREEN 4 YELLOW 3 BLUE 2 PINK 1 RED		C LIGHT GREEN D PURPLE E BROWN F SKY BLUE G PINK H GRAY		43 EARTH WIRE U AWG15 UL1015 K AWG18 UL1015 L AWG22 UL1007 AWG22 UL1007		02/08-'06 02/08-'06 02/08-'06 02/08-'06		SEGA SEGA CORPORATION THIS DRAWING WILL IN NO WAY BE COPIED. TO BE RETURNED ON DEMAND.		許可ナク複写 複製等厳禁	
HSP-4100 ASSY PWR SPLY				HSP-3200 HSP-3650				HSP-4000 ASSY MAIN BD			
THE HOUSE OF THE DEAD 4 SP USA											

1
2
3
4
5
6



ALTERATION	<table border="1"> <tr><td>8</td><td>BLACK</td><td>E</td><td>LIGHT GREEN</td></tr> <tr><td>7</td><td>ORANGE</td><td>D</td><td>PURPLE</td></tr> <tr><td>6</td><td>WHITE</td><td>C</td><td>BROWN</td></tr> <tr><td>5</td><td>GREEN</td><td>B</td><td>SKY BLUE</td></tr> <tr><td>4</td><td>YELLOW</td><td>A</td><td>PINK</td></tr> <tr><td>3</td><td>BLUE</td><td></td><td>GRAY</td></tr> <tr><td>2</td><td>RED</td><td></td><td></td></tr> </table>	8	BLACK	E	LIGHT GREEN	7	ORANGE	D	PURPLE	6	WHITE	C	BROWN	5	GREEN	B	SKY BLUE	4	YELLOW	A	PINK	3	BLUE		GRAY	2	RED			<table border="1"> <tr><td>43</td><td>EARTH WIRE</td></tr> <tr><td>U</td><td>AWG16 UL1015</td></tr> <tr><td>K</td><td>AWG18 UL1015</td></tr> <tr><td>L</td><td>AWG22 UL1007</td></tr> <tr><td>AWG22</td><td>UL1007</td></tr> </table>	43	EARTH WIRE	U	AWG16 UL1015	K	AWG18 UL1015	L	AWG22 UL1007	AWG22	UL1007	<table border="1"> <tr><td>02/08-'06</td><td>02/08-'06</td><td>02/08-'06</td><td>02/08-'06</td></tr> </table>	02/08-'06	02/08-'06	02/08-'06	02/08-'06	<p>SEGA SEGA CORPORATION</p> <p>THIS DRAWING WILL IN NO WAY BE COPIED, REPRODUCED, OR TRANSMITTED IN ANY FORM OR BY ANY MEANS, WITHOUT THE WRITTEN PERMISSION OF SEGA CORPORATION.</p> <p>許可なく複製 複製等厳禁</p> <p>THE HOUSE OF THE DEAD 4 SP USA</p>	<p>(3 / 5)</p>
8	BLACK	E	LIGHT GREEN																																												
7	ORANGE	D	PURPLE																																												
6	WHITE	C	BROWN																																												
5	GREEN	B	SKY BLUE																																												
4	YELLOW	A	PINK																																												
3	BLUE		GRAY																																												
2	RED																																														
43	EARTH WIRE																																														
U	AWG16 UL1015																																														
K	AWG18 UL1015																																														
L	AWG22 UL1007																																														
AWG22	UL1007																																														
02/08-'06	02/08-'06	02/08-'06	02/08-'06																																												

06.3.08



ALTERATION	DESCRIPTION	DATE	BY	REVISION	DATE	BY	REVISION	DATE	BY	REVISION
		02/08-'06			02/08-'06			02/08-'06		

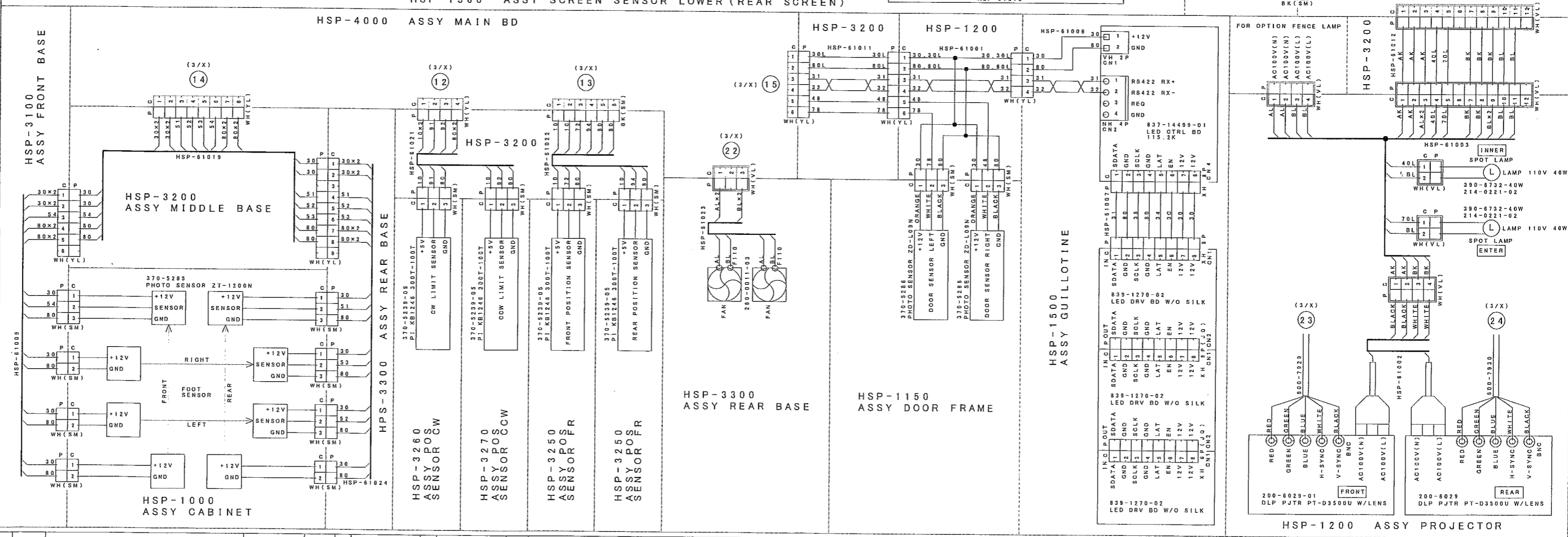
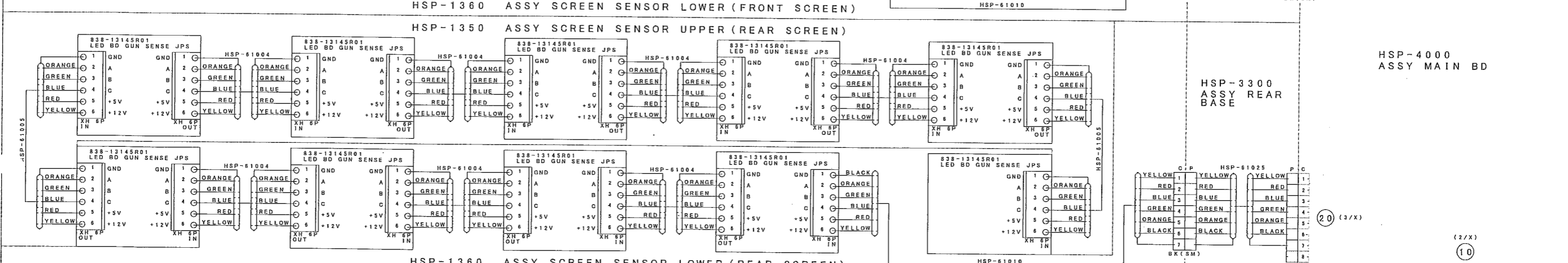
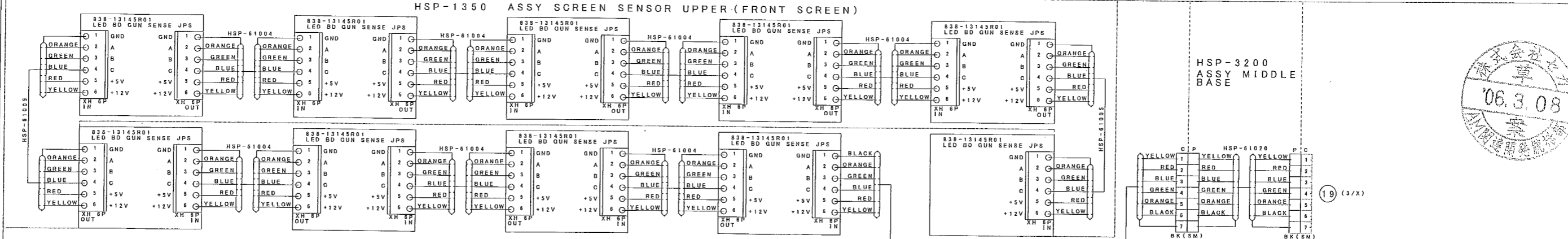
9	BLACK	E	LIGHT GREEN	43	EARTH WIRE
7	ORANGE	D	PURPLE		
5	WHITE	C	BROWN		
4	GREEN	B	SKY BLUE		
3	YELLOW	A	PINK		
2	BLUE		GRAY		
1	RED				

AWG15	UL1015
AWG18	UL1015
AWG20	UL1057
AWG22	UL1057

SEGA	SEGA CORPORATION	THIS DRAWING WILL IN NO WAY BE COPIED, TO BE RETURNED ON DEMAND.	許可ナク複写 複製等厳禁
THE HOUSE OF THE DEAD 4 SP USA			

1
2
3
4
5
6

06.3.08
 株式会社 セガ
 本社 静岡 製作所



4	BLACK			43	EARTH WIRE
7	ORANGE	E	LIGHT GREEN		
5	WHITE	O	PURPLE		
4	GREEN	U	BROWN		
3	YELLOW	B	SKY BLUE		
2	BLUE	K	AWG18 UL1015		
1	RED	L	AWG20 UL1007		
		A	GRAY		

SEGA SEGA CORPORATION

THE HOUSE OF THE DEAD 4 SP USA

THIS DRAWING WILL IN NO WAY BE COPIED. 許可なく複写
 TO BE RETURNED ON DEMAND. 複製等厳禁