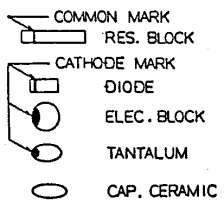
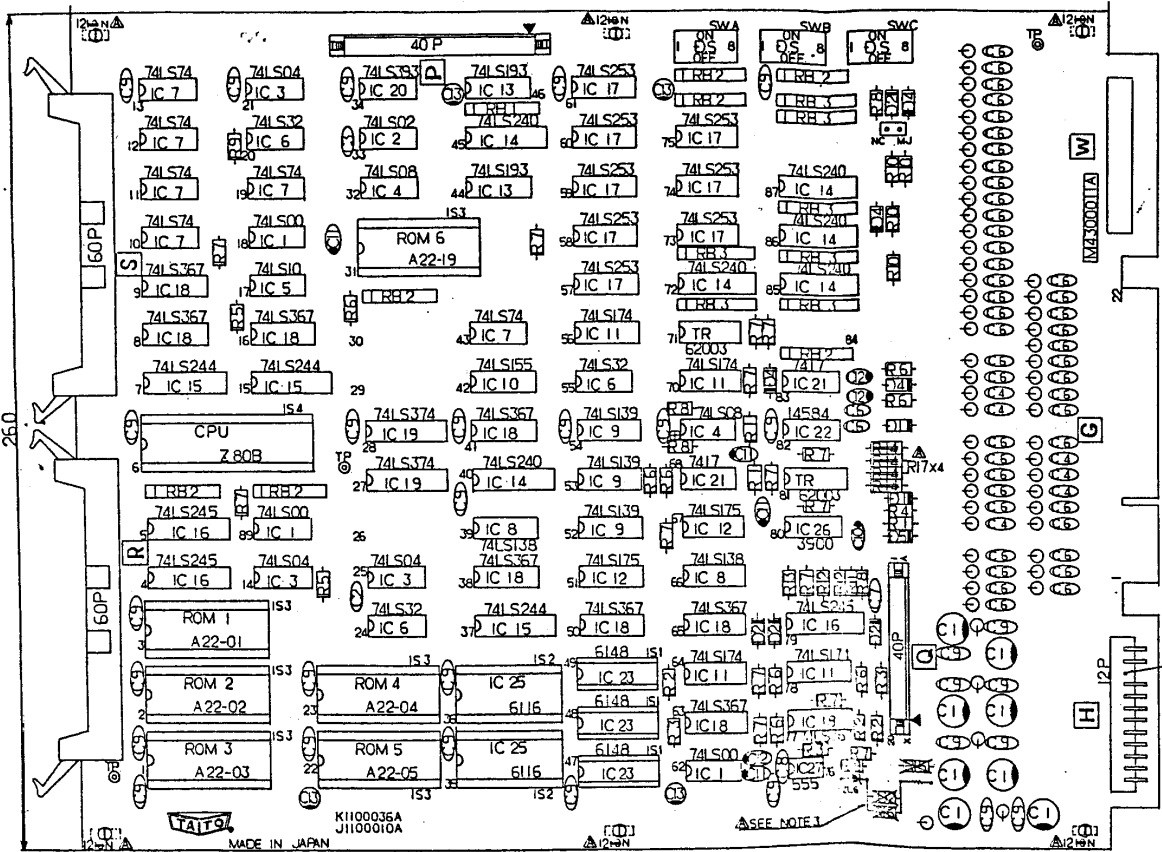
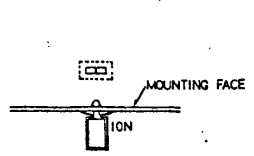


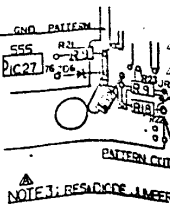
K  
J  
I  
H  
G  
F  
E  
D  
C  
B  
A



NOTE 1 SYMBOL MARK



NOTE 2 CIRCUIT BOARD STACKING SPACER



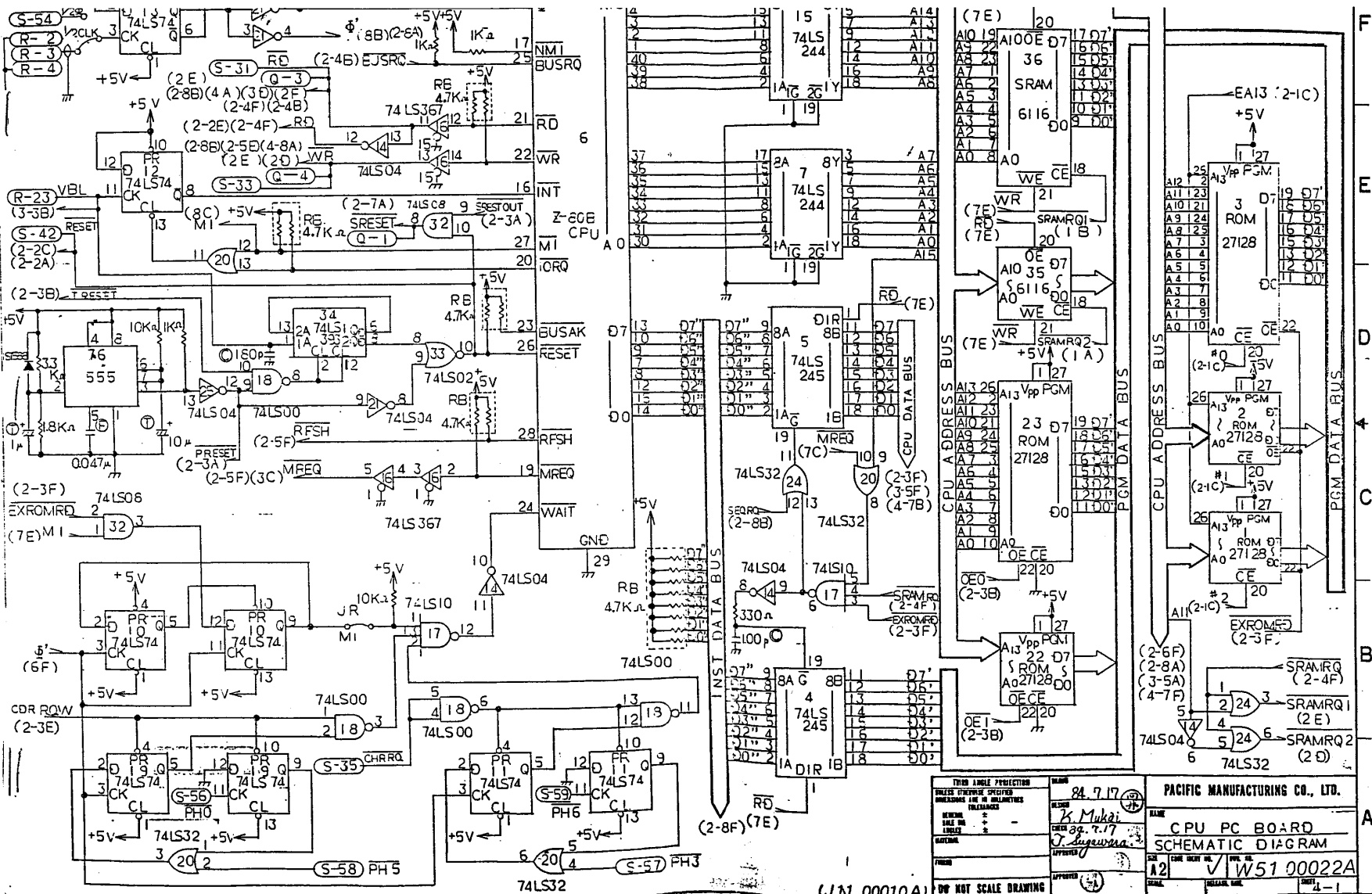
NOTE 3 RESISTOR LINE

| NO. | QTY | DESCRIPTION      | UNIT    |
|-----|-----|------------------|---------|
| 1   | 1   | IC SOCKET        | 40P     |
| 2   | 1   | IC SOCKET        | 28P     |
| 3   | 1   | IC SOCKET        | 28P     |
| 4   | 1   | IC SOCKET        | 18P     |
| 5   | 1   | ANGLE PIN HEADER | 40P     |
| 6   | 1   | FLAT PIN HEADER  | 40P     |
| 7   | 1   | POST HEADER      | 52/2-12 |

| NO. | QTY | DESCRIPTION  | UNIT          |
|-----|-----|--------------|---------------|
| 1   | 1   | DIP SW       | DSS-B         |
| 2   | 1   | RES. OXIDE   | 2704WAS&S     |
| 3   | 1   | BEADS FILTER | ZBES03S       |
| 4   | 1   | DATA         | 454           |
| 5   | 1   | RES. OXIDE   | A2219 (P5)    |
| 6   | 1   | RES. OXIDE   | 105 (27/28)   |
| 7   | 1   | RES. OXIDE   | 08            |
| 8   | 1   | RES. OXIDE   | 08            |
| 9   | 1   | RES. OXIDE   | 02            |
| 10  | 1   | RES. OXIDE   | A2201 (27/28) |
| 11  | 1   | TIMER        | 555           |
| 12  | 1   | OP AMP       | 3910          |
| 13  | 1   | SRAM         | 6116          |
| 14  | 1   | SRAM         | 7308          |
| 15  | 1   | C-MOS RAM    | 6123          |
| 16  | 1   | C-MOS        | 13594         |
| 17  | 1   | TTI          | 13194         |
| 18  | 1   | RES. OXIDE   | 13194         |
| 19  | 1   | RES. OXIDE   | 13194         |
| 20  | 1   | RES. OXIDE   | 13194         |
| 21  | 1   | RES. OXIDE   | 13194         |
| 22  | 1   | RES. OXIDE   | 13194         |
| 23  | 1   | RES. OXIDE   | 13194         |
| 24  | 1   | RES. OXIDE   | 13194         |
| 25  | 1   | RES. OXIDE   | 13194         |
| 26  | 1   | RES. OXIDE   | 13194         |
| 27  | 1   | RES. OXIDE   | 13194         |
| 28  | 1   | RES. OXIDE   | 13194         |
| 29  | 1   | RES. OXIDE   | 13194         |
| 30  | 1   | RES. OXIDE   | 13194         |
| 31  | 1   | RES. OXIDE   | 13194         |
| 32  | 1   | RES. OXIDE   | 13194         |
| 33  | 1   | RES. OXIDE   | 13194         |
| 34  | 1   | RES. OXIDE   | 13194         |
| 35  | 1   | RES. OXIDE   | 13194         |
| 36  | 1   | RES. OXIDE   | 13194         |
| 37  | 1   | RES. OXIDE   | 13194         |
| 38  | 1   | RES. OXIDE   | 13194         |
| 39  | 1   | RES. OXIDE   | 13194         |
| 40  | 1   | RES. OXIDE   | 13194         |
| 41  | 1   | RES. OXIDE   | 13194         |
| 42  | 1   | RES. OXIDE   | 13194         |
| 43  | 1   | RES. OXIDE   | 13194         |
| 44  | 1   | RES. OXIDE   | 13194         |
| 45  | 1   | RES. OXIDE   | 13194         |
| 46  | 1   | RES. OXIDE   | 13194         |
| 47  | 1   | RES. OXIDE   | 13194         |
| 48  | 1   | RES. OXIDE   | 13194         |
| 49  | 1   | RES. OXIDE   | 13194         |
| 50  | 1   | RES. OXIDE   | 13194         |
| 51  | 1   | RES. OXIDE   | 13194         |
| 52  | 1   | RES. OXIDE   | 13194         |
| 53  | 1   | RES. OXIDE   | 13194         |
| 54  | 1   | RES. OXIDE   | 13194         |
| 55  | 1   | RES. OXIDE   | 13194         |
| 56  | 1   | RES. OXIDE   | 13194         |
| 57  | 1   | RES. OXIDE   | 13194         |
| 58  | 1   | RES. OXIDE   | 13194         |
| 59  | 1   | RES. OXIDE   | 13194         |
| 60  | 1   | RES. OXIDE   | 13194         |
| 61  | 1   | RES. OXIDE   | 13194         |
| 62  | 1   | RES. OXIDE   | 13194         |
| 63  | 1   | RES. OXIDE   | 13194         |
| 64  | 1   | RES. OXIDE   | 13194         |
| 65  | 1   | RES. OXIDE   | 13194         |
| 66  | 1   | RES. OXIDE   | 13194         |
| 67  | 1   | RES. OXIDE   | 13194         |
| 68  | 1   | RES. OXIDE   | 13194         |
| 69  | 1   | RES. OXIDE   | 13194         |
| 70  | 1   | RES. OXIDE   | 13194         |
| 71  | 1   | RES. OXIDE   | 13194         |
| 72  | 1   | RES. OXIDE   | 13194         |
| 73  | 1   | RES. OXIDE   | 13194         |
| 74  | 1   | RES. OXIDE   | 13194         |
| 75  | 1   | RES. OXIDE   | 13194         |
| 76  | 1   | RES. OXIDE   | 13194         |
| 77  | 1   | RES. OXIDE   | 13194         |
| 78  | 1   | RES. OXIDE   | 13194         |
| 79  | 1   | RES. OXIDE   | 13194         |
| 80  | 1   | RES. OXIDE   | 13194         |
| 81  | 1   | RES. OXIDE   | 13194         |
| 82  | 1   | RES. OXIDE   | 13194         |
| 83  | 1   | RES. OXIDE   | 13194         |
| 84  | 1   | RES. OXIDE   | 13194         |
| 85  | 1   | RES. OXIDE   | 13194         |
| 86  | 1   | RES. OXIDE   | 13194         |
| 87  | 1   | RES. OXIDE   | 13194         |
| 88  | 1   | RES. OXIDE   | 13194         |
| 89  | 1   | RES. OXIDE   | 13194         |
| 90  | 1   | RES. OXIDE   | 13194         |
| 91  | 1   | RES. OXIDE   | 13194         |
| 92  | 1   | RES. OXIDE   | 13194         |
| 93  | 1   | RES. OXIDE   | 13194         |
| 94  | 1   | RES. OXIDE   | 13194         |
| 95  | 1   | RES. OXIDE   | 13194         |
| 96  | 1   | RES. OXIDE   | 13194         |
| 97  | 1   | RES. OXIDE   | 13194         |
| 98  | 1   | RES. OXIDE   | 13194         |
| 99  | 1   | RES. OXIDE   | 13194         |
| 100 | 1   | RES. OXIDE   | 13194         |

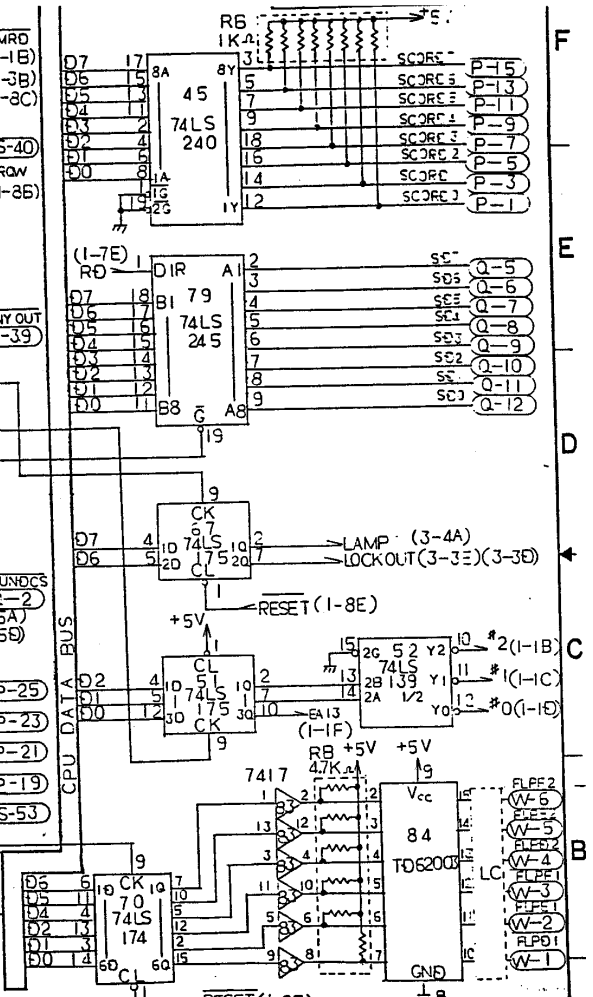
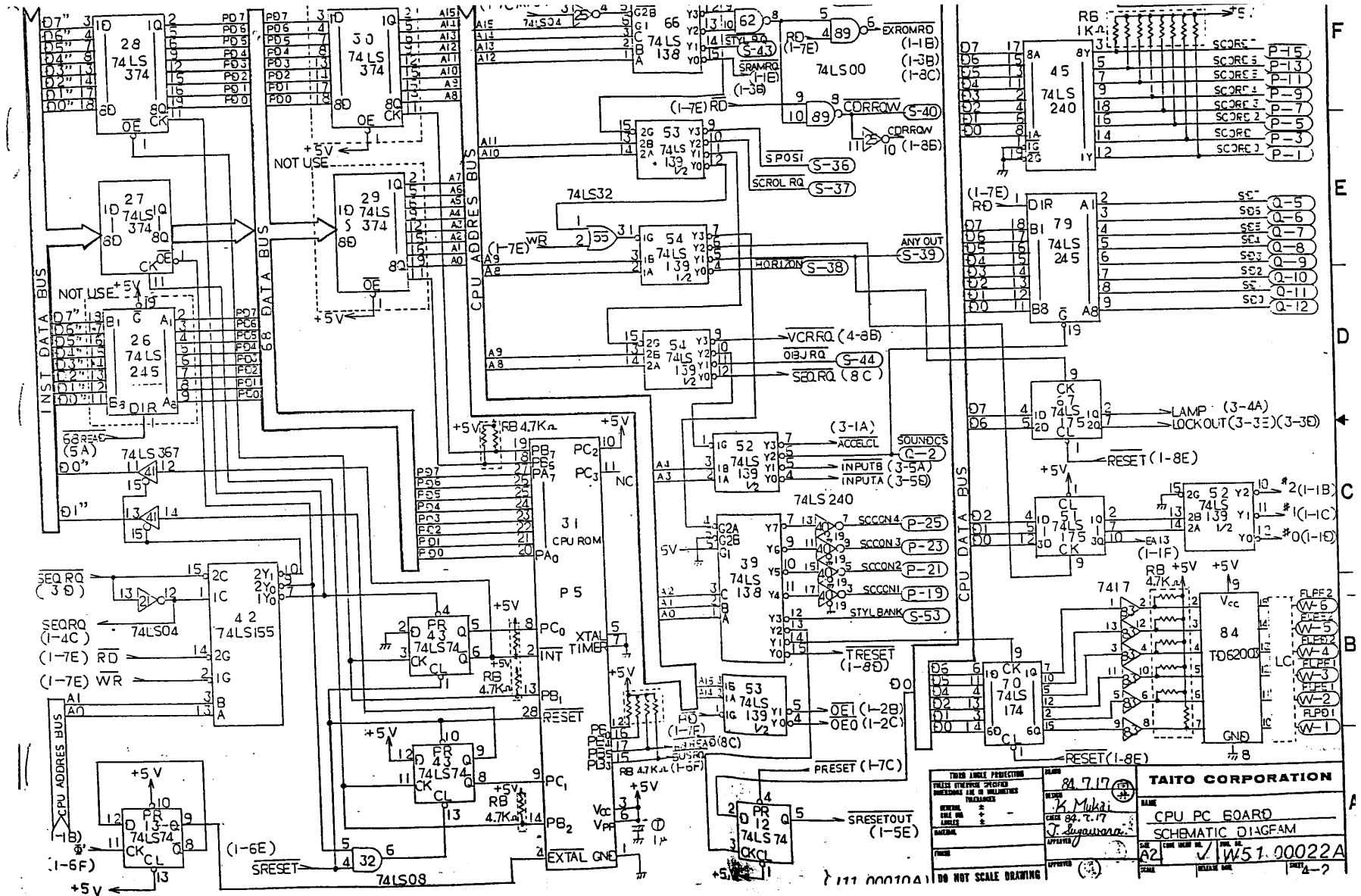
TAI9 CORPORATION  
CPU BOARD ASSY  
K1100036A

DATE: 7.2.84  
SCALE: 1:1



(J1 00010A)

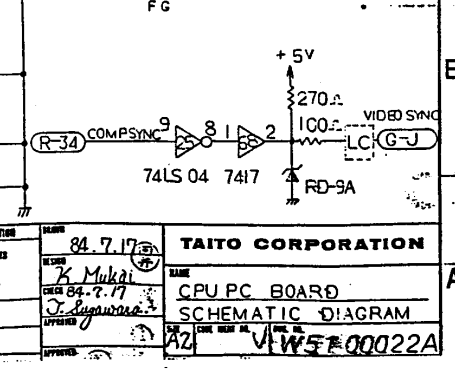
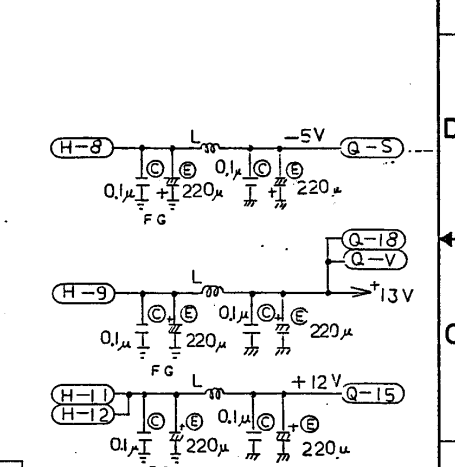
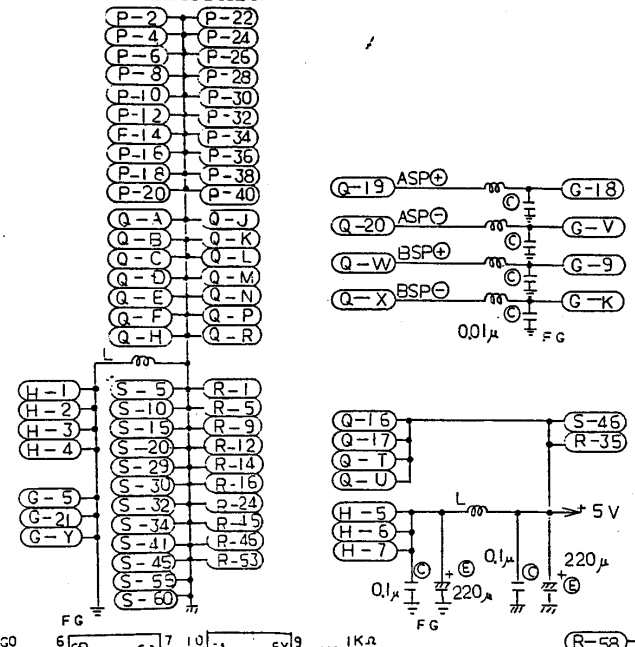
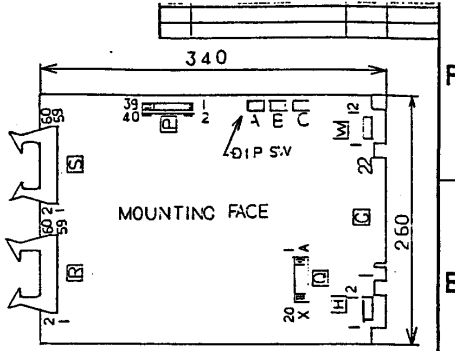
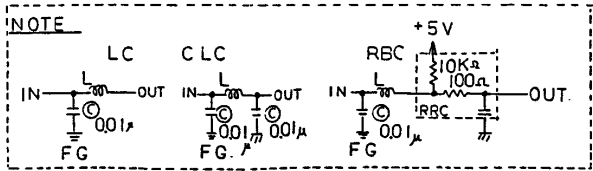
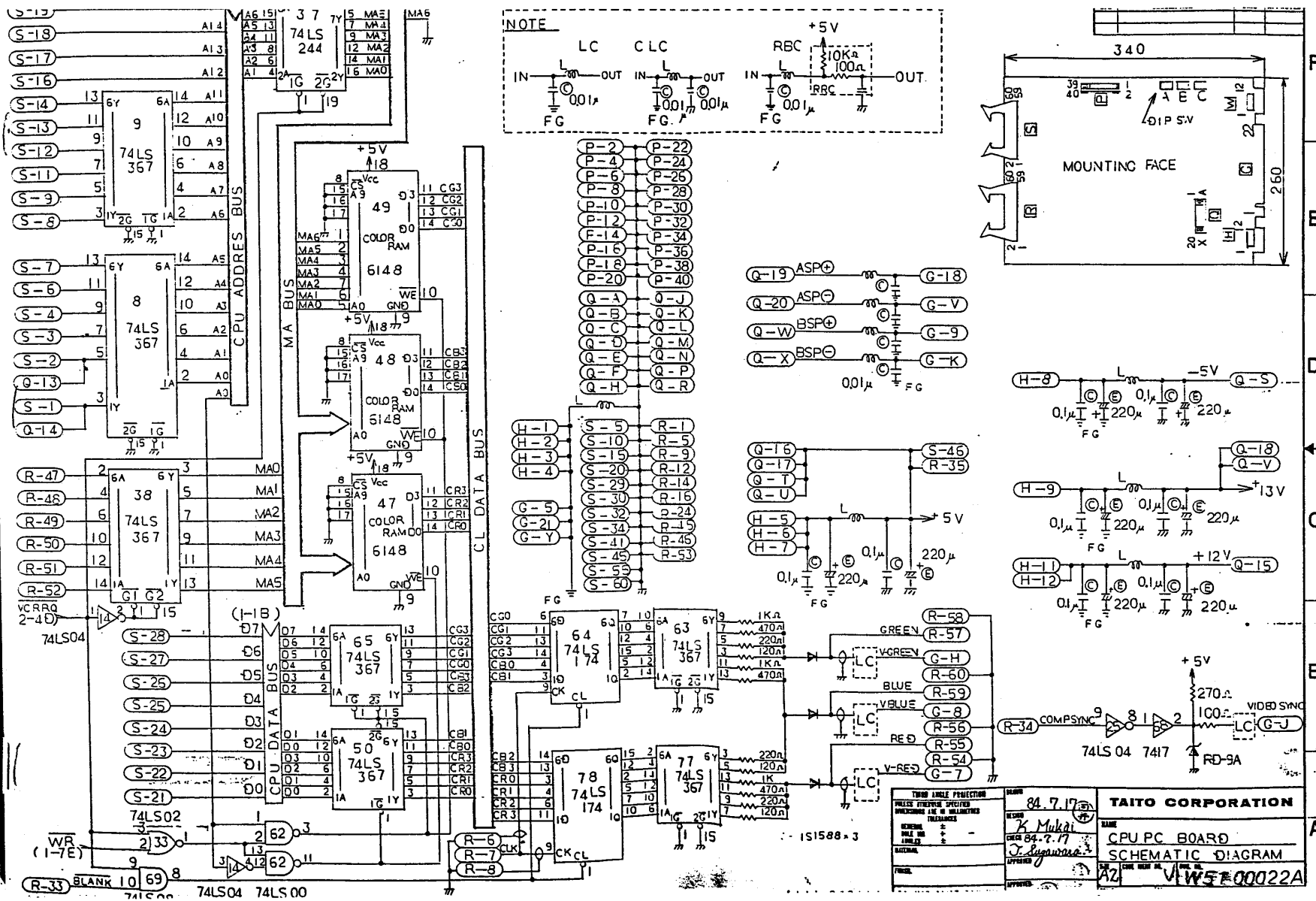
|  |  |  |  |
|--|--|--|--|
| TRIM & SOLDER PROTECTION<br>ALL SOLDER JOINTS MUST BE PROTECTED WITH SOLDER<br>PREVENTING AIR OR HUMIDITY FROM REACHING THE JOINTS |  | DATE: 84.7.17<br>DESIGNED BY: K. Mukai<br>CHECKED BY: Sg. T.17<br>APPROVED BY: J. Sugawara | PACIFIC MANUFACTURING CO., LTD.<br>CPU PC BOARD<br>SCHEMATIC DIAGRAM |
| DRAWING NO.: W51 00022A<br>SCALE: 1:1<br>SHEET NO.: 1/1  | CHECKED BY: Sg. T.17<br>APPROVED BY: J. Sugawara | DATE: 84.7.17<br>DESIGNED BY: K. Mukai<br>CHECKED BY: Sg. T.17<br>APPROVED BY: J. Sugawara | CPU PC BOARD<br>SCHEMATIC DIAGRAM<br>W51 00022A<br>SHEET NO.: 1/1    |



|  |                       |                   |                         |
|--|-----------------------|-------------------|-------------------------|
| TOSHIBA PROTECTION                                       |                       | DATE: 84.7.17     | NAME: TAITO CORPORATION |
| UNLESS OTHERWISE SPECIFIED DIMENSIONS ARE IN MILLIMETERS |                       | DESIGNER: K. Mura | NAME: CPU PC BOARD      |
| TOLERANCES   |                       | CHECK: 84.7.17    | SCHEMATIC DIAGRAM       |
| GENERAL: -   | APPROVED: J. Sugawara | DATE: 84.7.17     | FILE NO: W51.00022A     |
| SIZE: A2   | APPROVED: [Signature] | DATE: 84.7.17     | FILE NO: W51.00022A     |
| SCALE: -   | APPROVED: [Signature] | DATE: 84.7.17     | FILE NO: W51.00022A     |
| FIGURE: -  | APPROVED: [Signature] | DATE: 84.7.17     | FILE NO: W51.00022A     |

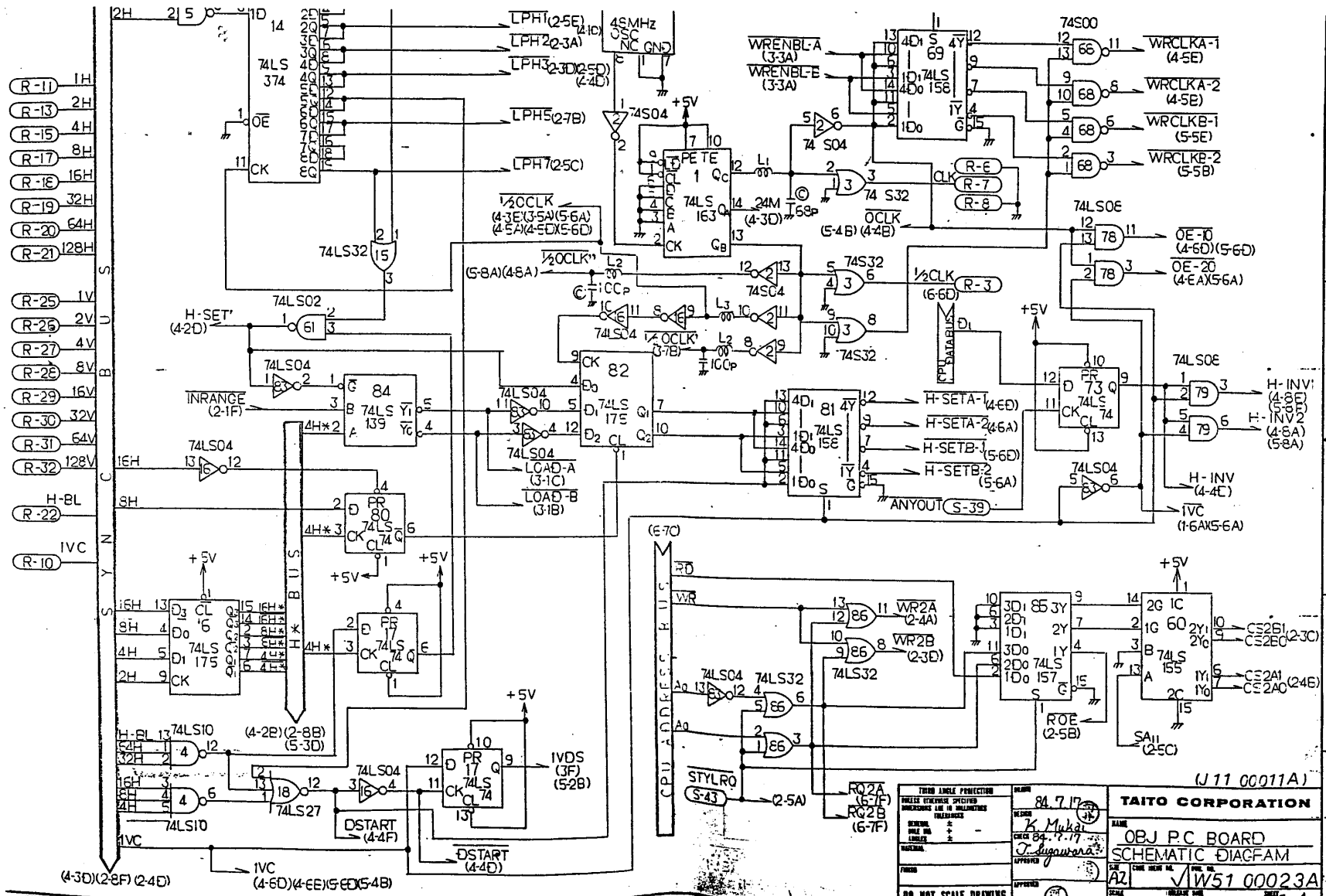
111 0001041 DO NOT SCALE DRAWING



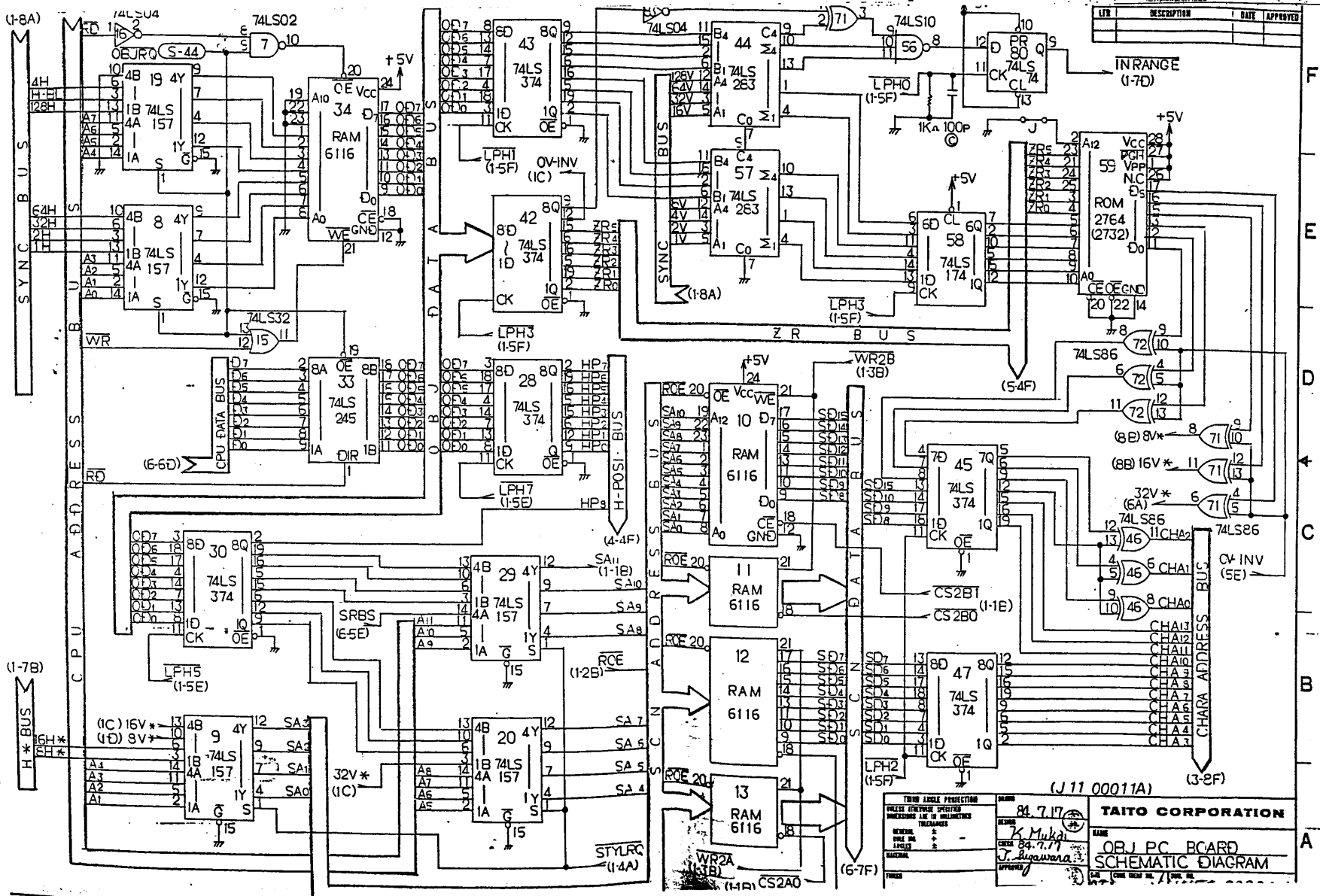


|   |   |  |
|---|---|--|
| <p>THIRD ANGLE PROJECTION</p> <p>PULSES STRONGER SPECIFIED UNLESS OTHERWISE INDICATED</p> <p>UNITS: DIMENSIONS IN MILLIMETERS</p> <p>GENERAL: -</p> <p>SCALE: -</p> <p>DATE: -</p> <p>DRAWN: -</p> <p>APPROVED: -</p> | <p>DATE: 84.7.17</p> <p>DESIGN: K. Mukai</p> <p>CHECK: 84.7.17</p> <p>APPROVED: J. Sugawara</p> | <p>TAITO CORPORATION</p> <p>NAME: CPU PC BOARD</p> <p>SCHEMATIC DIAGRAM</p> <p>FILE: V1W5-00022A</p> |
|---|---|--|





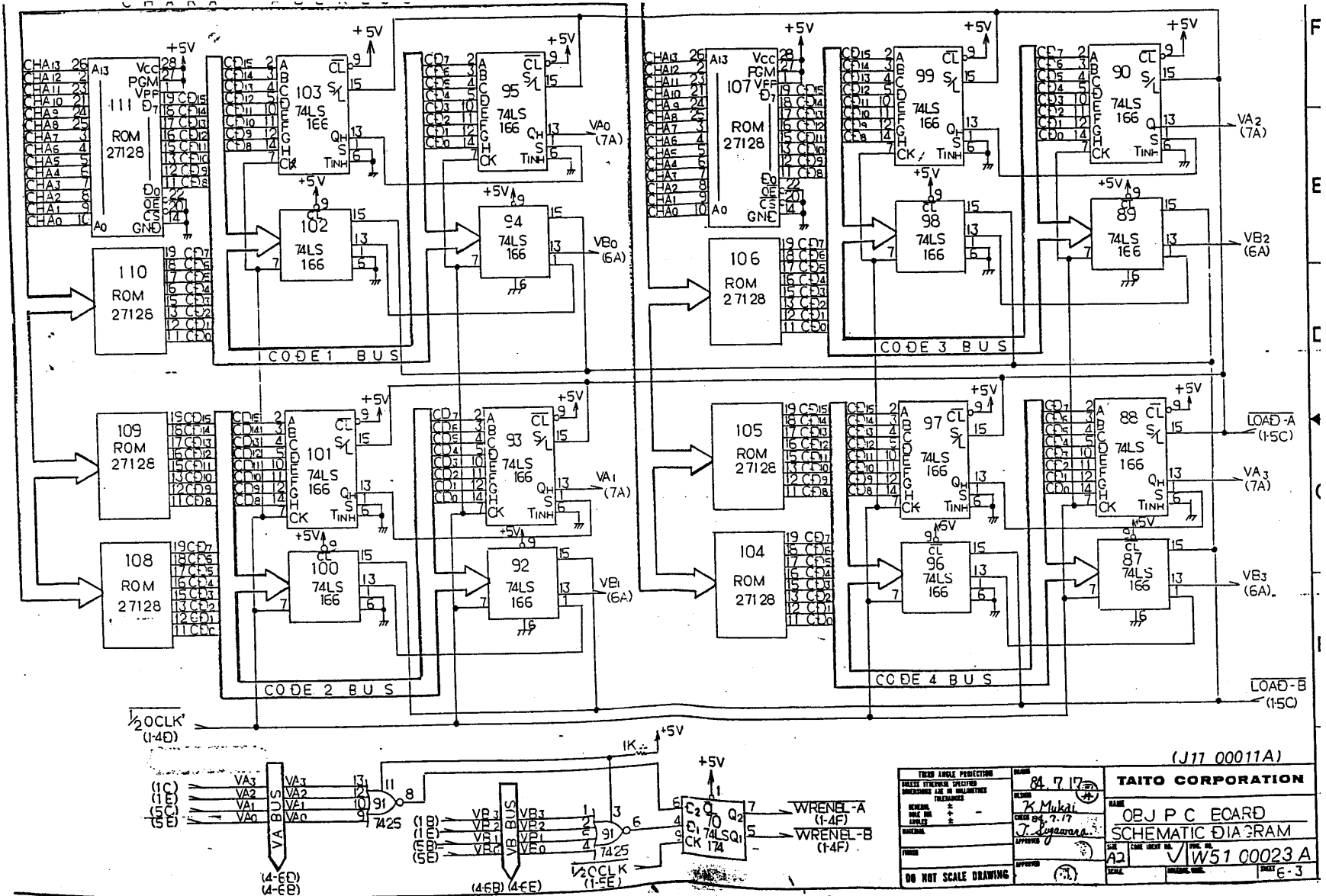
|   |  |   |   |
|---|--|---|---|
| THIRD ANGLE PROJECTION<br>DIMENSIONS ARE IN MILLIMETERS<br>UNLESS OTHERWISE SPECIFIED |  | NAME: 84.7.17<br>CHECKED BY: K. Maki<br>DATE: 84.7.17<br>APPROVED BY: T. Sugawara | U11 0011A<br><b>TAITO CORPORATION</b><br>OBJ P.C. BOARD<br>SCHEMATIC DIAGRAM<br>FILE NO: A2<br>DRAWING NO: W51 00023A<br>SHEET: 6-1 |
| DO NOT SCALE DRAWING  |  | SCALE:  | DATE:   |



| REV | DESCRIPTION | DATE | APPROVED |
|-----|-------------|------|----------|
|     |             |      |          |

|  |   |
|--|---|
| TAITO CORPORATION<br>OBJ PC BOARD<br>SCHEMATIC DIAGRAM     |   |
| DRAWN: K. Miki<br>CHECK: S. 84.7.17<br>APPROVED: J. Sogawa | DATE: 84.7.17<br>SCALE: 1:1<br>SHEET: 1/1 |

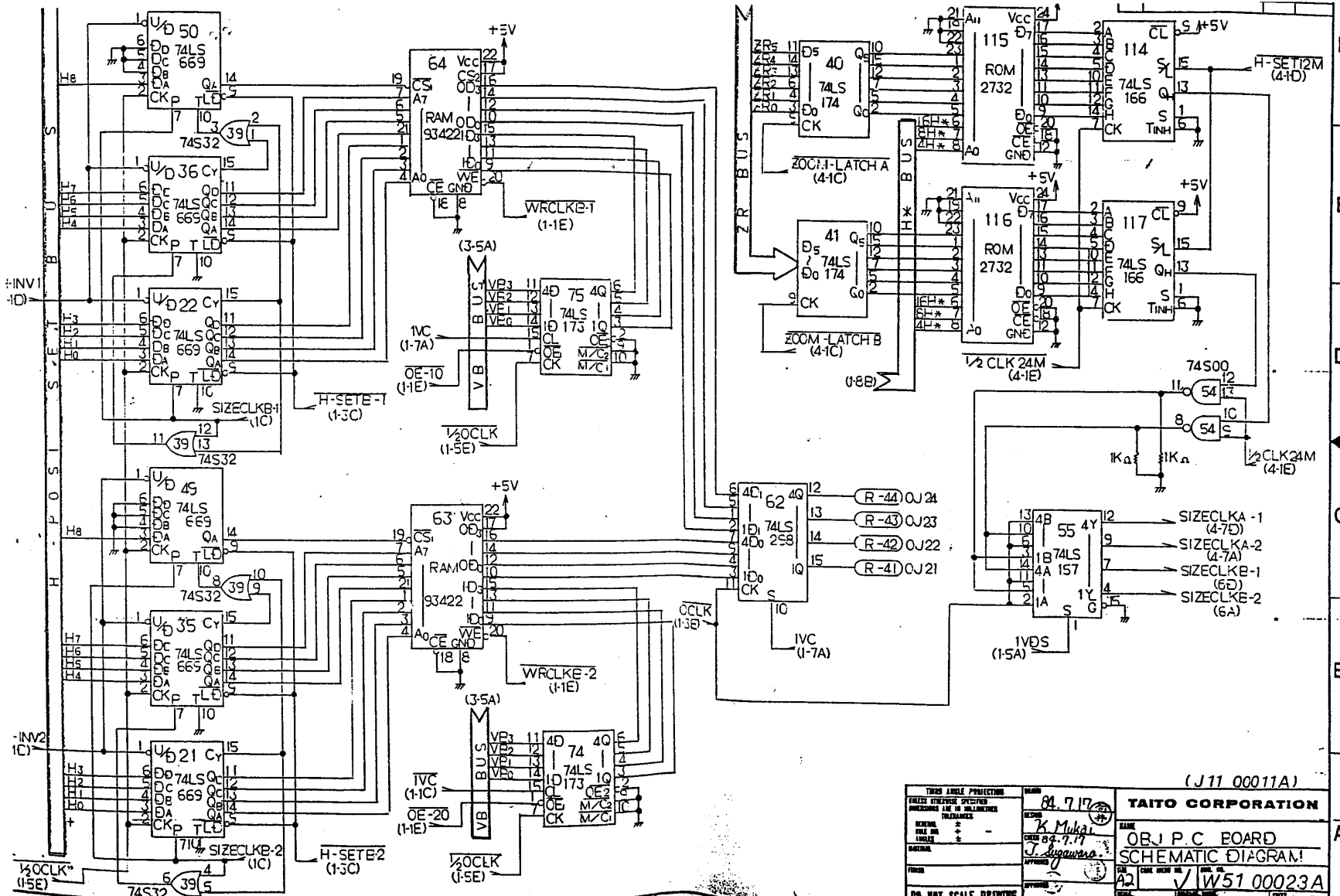




|   |  |          |             |                   |
|---|--|----------|-------------|-------------------|
| TWO ANGLE PROJECTION  |  | DATE     | 84.7.17     | TAITO CORPORATION |
| UNLESS OTHERWISE SPECIFIED DIMENSIONS ARE IN MILLIMETRES TOLERANCES |  | DESIGN   | K. Mukai    |                   |
| GENERAL   |  | CHKD BY  | 7.7.17      | NAME              |
| MATERIAL  |  | APPROVED | J. Yamamoto | OBJ P C BOARD     |
| FINISH  |  |          |             | SCHEMATIC DIAGRAM |
| DO NOT SCALE DRAWING  |  | APP'D    |             | DATE              |
|   |  | SCALE    |             | W51 00023 A       |
|   |  |          |             | SHEET E-3         |

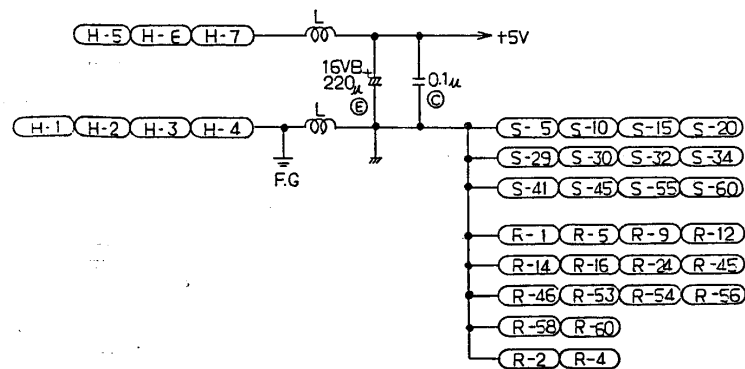
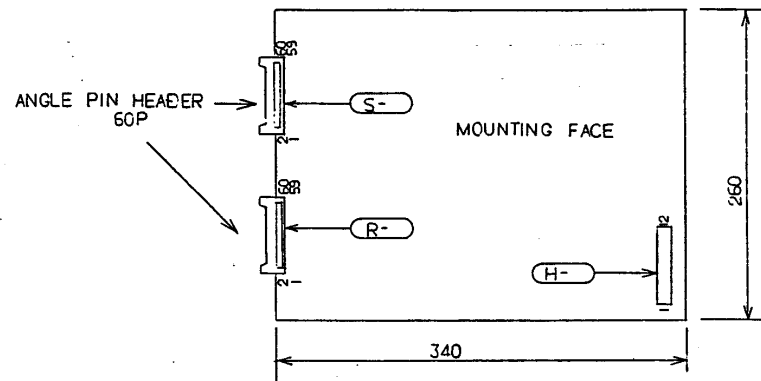
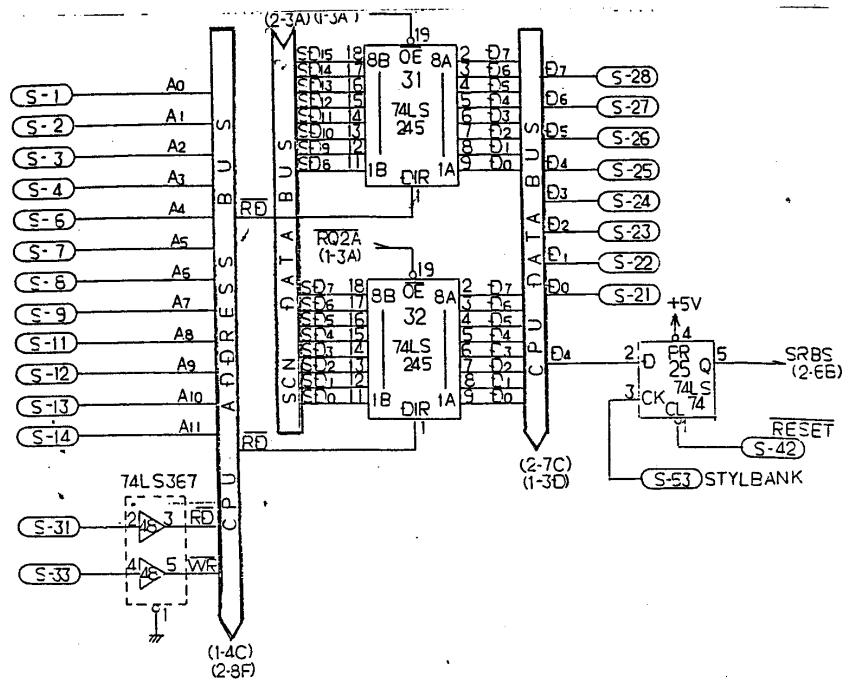
(J17 00011A)





(J11 00011A)

|   |   |   |
|---|---|---|
| THIRD ANGLE PROJECTION<br>TAKEN FROM THE SPECIFIED<br>DIRECTIONS AND IN UNLESS<br>OTHERWISE SPECIFIED<br>DIMENSIONS ARE IN MILLIMETERS<br>TOLERANCES<br>FINISH<br>DIM NOT SCALE DRAWING | DATE: 81.7.17<br>DRAWN BY: K. Mukai<br>CHECKED BY: J. Agawana<br>APPROVED BY: [Signature] | <b>TAITO CORPORATION</b><br>NAME: ORJ.P.C. BOARD<br>SCHEMATIC DIAGRAM!<br>DRAWING NO: W51 00023A<br>SHEET NO: 6-5 |
|---|---|---|



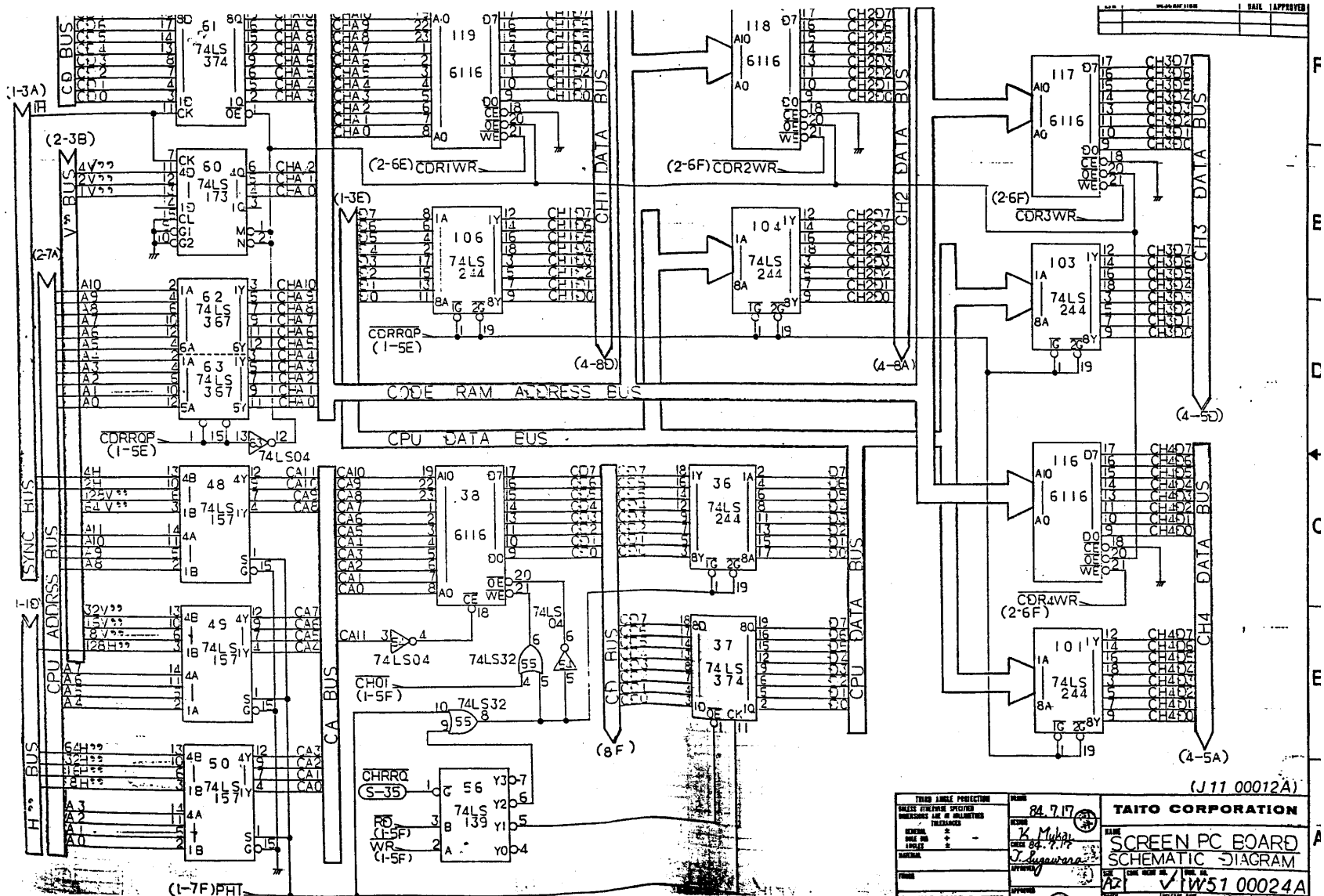
|                        |             |
|------------------------|-------------|
| THIRD ANGLE PROJECTION | DATE        |
| DRAWN BY               | 84.7.17     |
| CHECKED BY             | K. Mukai    |
| APPROVED BY            | J. Sugawara |

|                          |               |
|--------------------------|---------------|
| (J11 00011A)             |               |
| <b>TAITO CORPORATION</b> |               |
| NAME<br>JBJ P.C. BOARD   |               |
| SCHEMATIC DIAGRAM        |               |
| DATE                     | 84.7.17       |
| BY                       | A21           |
| FILE NO.                 | V/W-51-00023A |









|   |          |          |             |                                      |
|---|----------|----------|-------------|--------------------------------------|
| THIRD ANGLE PROJECTION  |          | DATE     | 84.7.17     | TAITO CORPORATION                    |
| SHEET SPECIFIC SPECIFICATION<br>PROVISIONS ARE AS SHOWN<br>TOLERANCES |          | DESIGNER | K. Miyake   |                                      |
| SCALE   | 1:1      | DATE     | 84.7.17     | SCREEN PC BOARD<br>SCHEMATIC DIAGRAM |
| SYMBOLS   | AS SHOWN | APPROVED | J. Sugawara |                                      |
| DRAWN   |          |          | DATE        | 84.7.17                              |
| CHECKED   |          |          | DATE        | 84.7.17                              |
| APPROVED  |          |          | DATE        | 84.7.17                              |
| DRAWN   |          |          | DATE        | 84.7.17                              |
| CHECKED   |          |          | DATE        | 84.7.17                              |
| APPROVED  |          |          | DATE        | 84.7.17                              |
| DRAWN   |          |          | DATE        | 84.7.17                              |
| CHECKED   |          |          | DATE        | 84.7.17                              |
| APPROVED  |          |          | DATE        | 84.7.17                              |

(J11 00012A)

TAITO CORPORATION

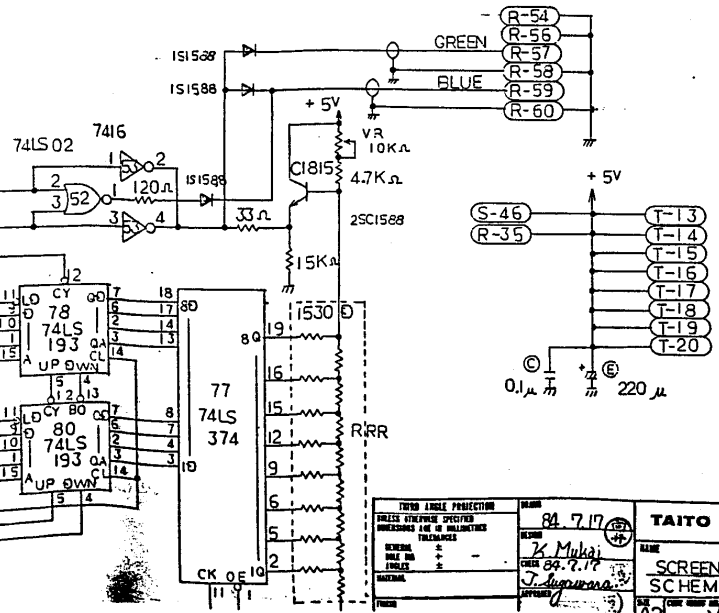
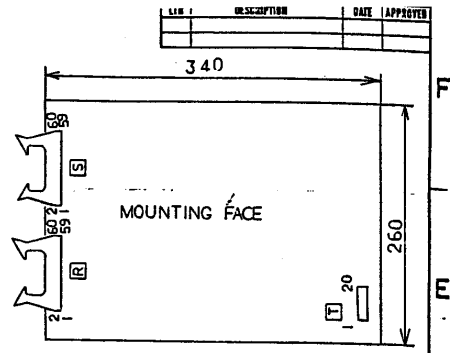
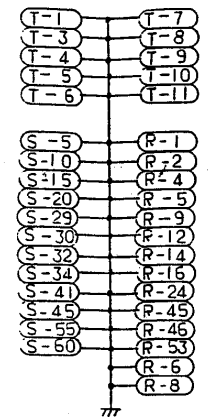
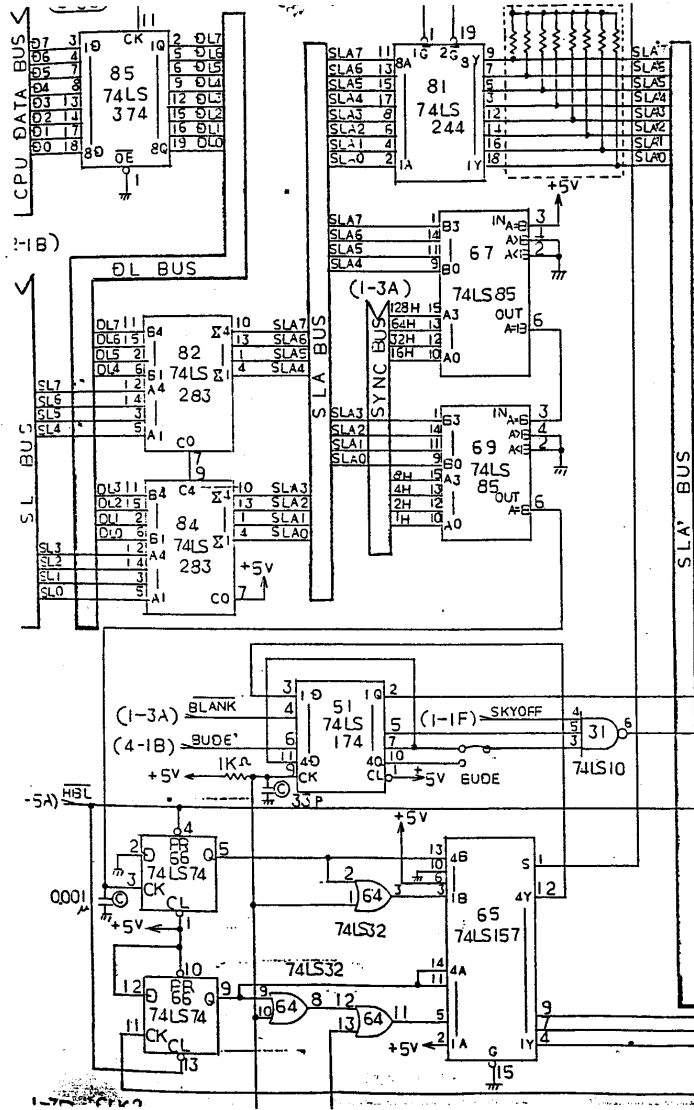
SCREEN PC BOARD  
SCHEMATIC DIAGRAM

DATE 84.7.17

APPROVED





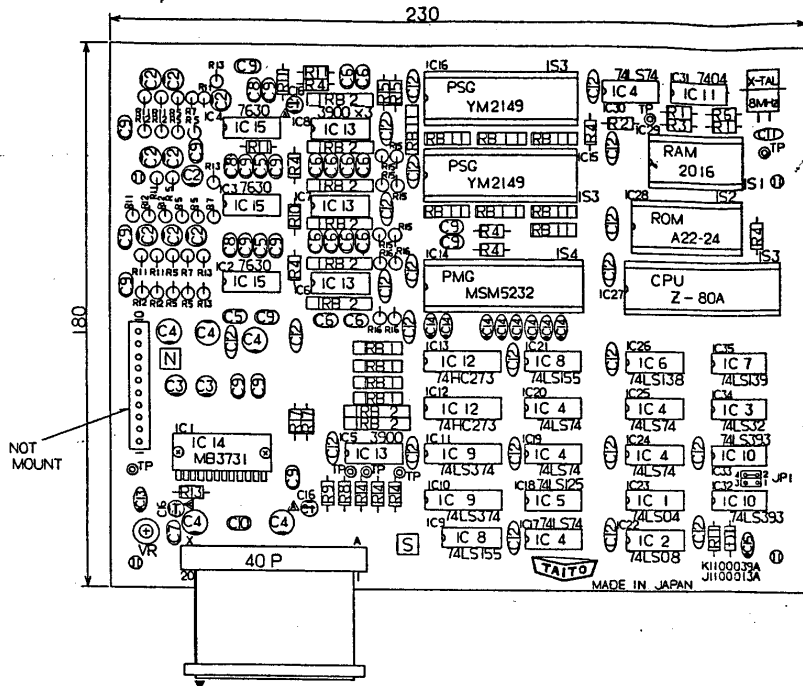


|                             |  |          |                   |
|-----------------------------|--|----------|-------------------|
| TUTOR ANGLE PROJECTION      |  | DATE     | 84.7.17           |
| DIMENSIONS UNLESS SPECIFIED |  | DESIGN   | K. Mulla          |
| PRECEDENCE                  |  | CHKD     | 84.7.17           |
| GENERAL                     |  | APPROVED | J. Jayaraman      |
| DATE                        |  | NAME     | SCREEN PC BOARD   |
| SCALE                       |  |          | SCHEMATIC DIAGRAM |
| MATERIAL                    |  |          |                   |

| REV | DESCRIPTION | DATE | APPROVED |
|-----|-------------|------|----------|
|     |             |      |          |

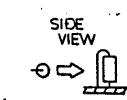
(J11 00012A)

TAITO CORPORATION

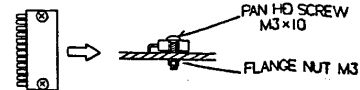


- RES. CARBON
- COMMON MARK
- RES. BLOCK
- CATHODE MARK
- DIODE
- ELEC. BLOCK
- TANT. DIP
- CAP. FILM
- CAP. CERAMIC

NOTE1. SYMBOOL



HOW TO MOUNT  
NOTE2. RES. CARBON



NOTE3. MB3731



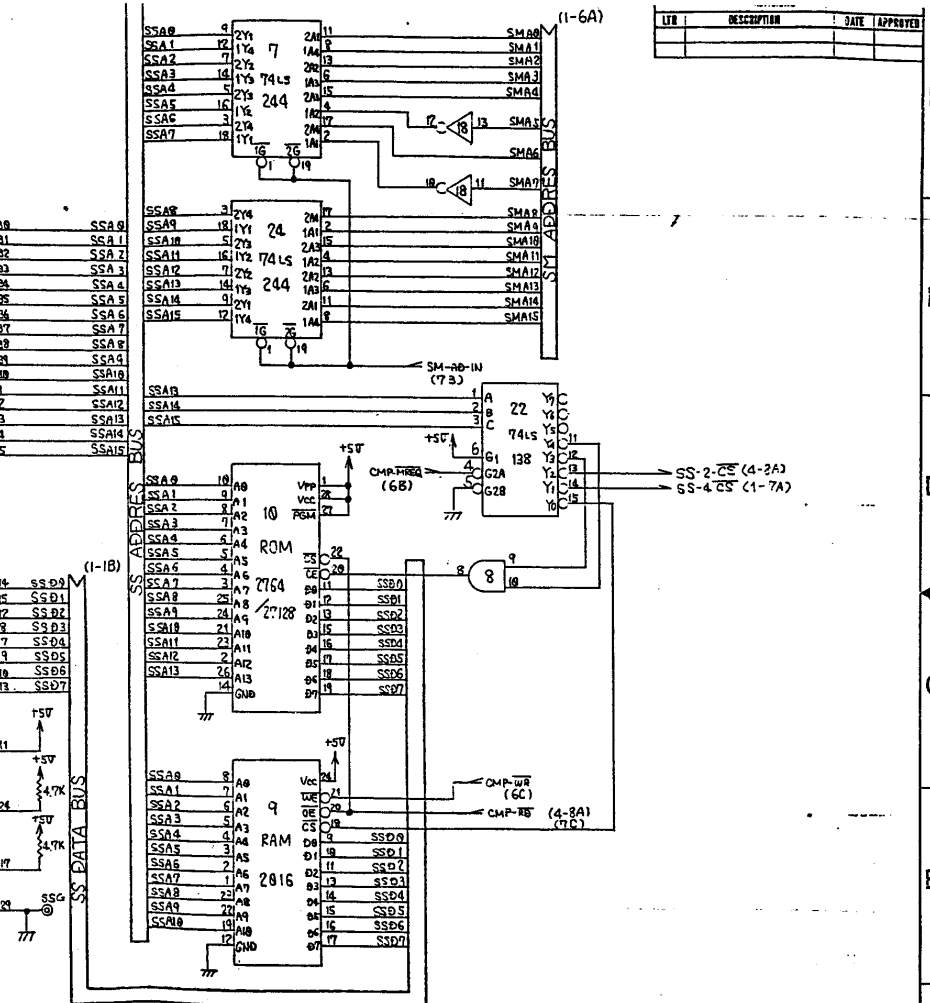
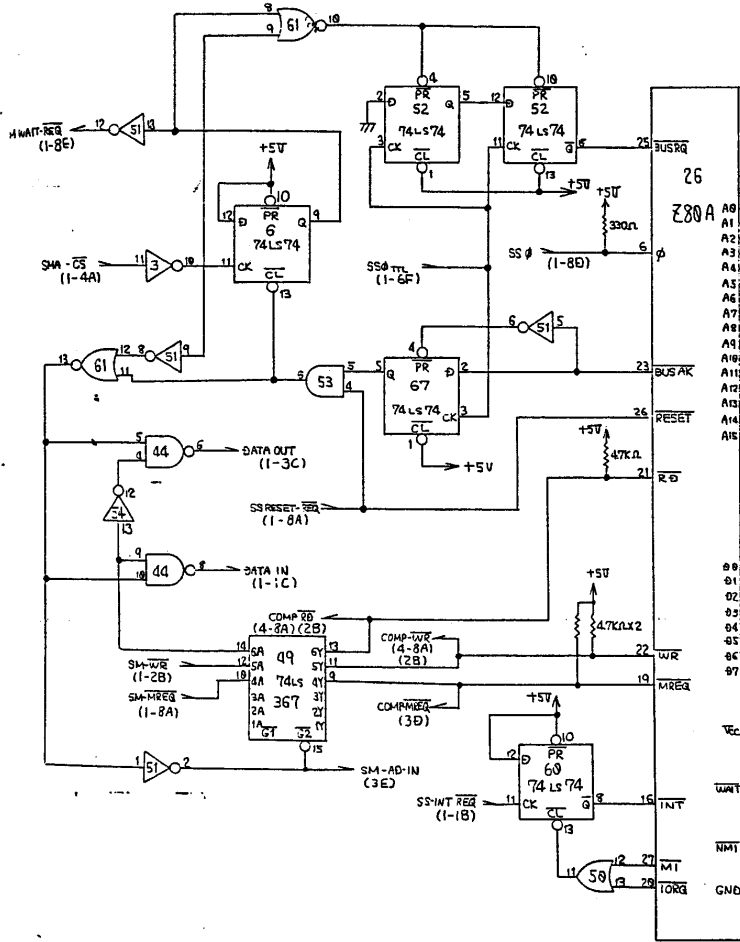
NOTE4. LCB

| NO. | SYMBOL           | DESCRIPTION              | QTY | REMARKS |
|-----|------------------|--------------------------|-----|---------|
| 60  | IOE900072BA      | LOCKING SUPPORT ICH-0    | 4   |         |
| 78  | AOE.50000        | BA FLAT HARNESS 40P L=70 | 1   |         |
| 77  | IP.0600040A      | TEST POINT CHIP L=7.8    | 5   |         |
| 75  | 54C0550094A      | IC SOCKET 42P            | 1   |         |
| 73  | 54C0550090A      | IC SOCKET 40P            | 1   |         |
| 72  | 54C0550080A      | IC SOCKET 28P            | 1   |         |
| 71  | 54C0550072A      | IC SOCKET 24P            | 1   |         |
| 69  | ROM2001153A      | P-ROM A22-24 (2/128)     | 1   |         |
| 68  | IC5E172271A      | THERMISTOR TA7530        | 1   |         |
| 65  | IC5E172008A      | PSM MSME232              | 1   |         |
| 64  | P2600005A        | FLANGE NUT M4x5          | 2   |         |
| 63  | P0600023A        | PAN HD SCREW M3x10       | 2   |         |
| 62  | IC5E172040A      | POWER AMP M3731          | 1   |         |
| 61  | IC5E172040A      | POWER AMP M3731          | 1   |         |
| 60  | IC5E1020019A     | S-RAM 2016               | 4   |         |
| 59  | IC5E1020019A     | CPU Z-80A                | 1   |         |
| 58  | IC2B0782273A     | C-MOS 74HC273            | 2   |         |
| 56  | IC1B03X0004A     | TTL IC 7404              | 1   |         |
| 55  | IC1B03X0034A     | TTL IC 74LS15            | 2   |         |
| 54  | IC1B03X0037A     | TTL IC 74LS17            | 2   |         |
| 53  | IC1B03X0037A     | TTL IC 74LS17            | 2   |         |
| 52  | IC1B03X0039A     | TTL IC 74LS19            | 2   |         |
| 51  | IC1B03X0038A     | TTL IC 74LS18            | 1   |         |
| 50  | IC1B03X0035A     | TTL IC 74LS15            | 2   |         |
| 49  | IC1B03X0035A     | TTL IC 74LS15            | 5   |         |
| 48  | IC1B03X0035A     | TTL IC 74LS15            | 1   |         |
| 47  | IC1B03X0008A     | TTL IC 74LS08            | 1   |         |
| 46  | IC1B03X0004A     | TTL IC 74LS04            | 1   |         |
| 44  | IOE9000072BX-1A1 | BMHZ                     | 1   |         |
| 43  | IC2A2239009A     | BES NETWORK 1054C        | 1   |         |
| 42  | IC2A2239007A     | BES NETWORK 1530A        | 12  |         |
| 40  | VR2A102411A      | VR 1MBK V2-1S BFRQ       | 1   |         |
| 38  | IC1A20000470     | BES CARBON 20MMAWSS2     | 2   |         |
| 37  | IC1A2000037A     | BES CARBON 20MMAWSS2     | 2   |         |
| 36  | IC1A2000037A     | BES CARBON 20MMAWSS2     | 4   |         |
| 35  | IC1A2000037A     | BES CARBON 20MMAWSS2     | 1   |         |
| 34  | IC1A2000027A     | BES CARBON 20MMAWSS2     | 1   |         |
| 33  | IC1A2000013A     | TOUR                     | 1   |         |
| 32  | IC1A2000013A     | TOUR                     | 1   |         |
| 31  | IC1A2000018A     | TOUR                     | 1   |         |
| 30  | IC1A2000018A     | TOUR                     | 1   |         |
| 29  | IC1A2000082A     | TOUR                     | 1   |         |
| 28  | IC1A2000082A     | TOUR                     | 1   |         |
| 27  | IC1A2000082A     | TOUR                     | 1   |         |
| 26  | IC1A2000071A     | TOUR                     | 1   |         |
| 25  | IC1A2000069A     | TOUR                     | 1   |         |
| 24  | IC1A2000069A     | TOUR                     | 1   |         |
| 23  | IC1A2000069A     | TOUR                     | 1   |         |
| 22  | IC1A2000051A     | TOUR                     | 1   |         |
| 21  | IC1A2000049A     | BES CARBON 20MMAWSS2     | 2   |         |
| 20  | IC1A1000169A     | ELEC BLOCK 25V10         | 1   |         |
| 19  | IC1A1320511A     | TANT DIP 35V22           | 1   |         |
| 18  | IC1A1320511A     | TANT DIP 35V10           | 1   |         |
| 17  | IC1A1320519A     | TANT DIP 25V10           | 1   |         |
| 16  | IC1A1000229A     | CAP CERAMIC 50V10000P    | 1   |         |
| 15  | IC1A1000229A     | CAP CERAMIC 50V22P       | 1   |         |
| 14  | IC1A1000229A     | FILM 50V15               | 1   |         |
| 13  | IC1A1000170A     | 50V15                    | 1   |         |
| 12  | IC1A1000162A     | 50V1047                  | 1   |         |
| 11  | IC1A1000147A     | 50V1047                  | 1   |         |
| 10  | IC1A1000139A     | 50V1047                  | 1   |         |
| 9   | IC1A1000139A     | 50V1047                  | 1   |         |
| 8   | IC1A1000135A     | ELEC BLOCK 15V220        | 1   |         |
| 7   | IC1A1000131A     | ELEC BLOCK 15V100        | 2   |         |
| 6   | IC1A1000127A     | ELEC BLOCK 15V10         | 1   |         |
| 5   | IC1A1000127A     | ELEC BLOCK 15V10         | 1   |         |
| 4   | IC1A1000127A     | ELEC BLOCK 15V10         | 1   |         |
| 3   | IC1A000048A      | DIODE 1S158              | 1   |         |
| 2   | IC1A000033A      | SOUND PC BOARD           | 1   |         |
| 1   | IC1A000033A      | SOUND PC BOARD           | 1   |         |

| NO. | SYMBOL           | DESCRIPTION              | QTY | REMARKS |
|-----|------------------|--------------------------|-----|---------|
| 1   | IC1A000033A      | SOUND PC BOARD           | 1   |         |
| 2   | IC1A000033A      | SOUND PC BOARD           | 1   |         |
| 3   | IC1A000048A      | DIODE 1S158              | 1   |         |
| 4   | IC1A1000127A     | ELEC BLOCK 15V10         | 1   |         |
| 5   | IC1A1000127A     | ELEC BLOCK 15V10         | 1   |         |
| 6   | IC1A1000131A     | ELEC BLOCK 15V100        | 2   |         |
| 7   | IC1A1000135A     | ELEC BLOCK 15V220        | 1   |         |
| 8   | IC1A1000139A     | 50V1047                  | 1   |         |
| 9   | IC1A1000139A     | 50V1047                  | 1   |         |
| 10  | IC1A1000147A     | 50V1047                  | 1   |         |
| 11  | IC1A1000170A     | 50V15                    | 1   |         |
| 12  | IC1A1000229A     | CAP CERAMIC 50V10000P    | 1   |         |
| 13  | IC1A1000229A     | CAP CERAMIC 50V22P       | 1   |         |
| 14  | IC1A1000229A     | FILM 50V15               | 1   |         |
| 15  | IC1A1000229A     | CAP CERAMIC 50V10000P    | 1   |         |
| 16  | IC1A1320519A     | TANT DIP 25V10           | 1   |         |
| 17  | IC1A1320511A     | TANT DIP 35V22           | 1   |         |
| 18  | IC1A1320511A     | TANT DIP 35V10           | 1   |         |
| 19  | IC1A1000169A     | ELEC BLOCK 25V10         | 1   |         |
| 20  | IC1A2000049A     | BES CARBON 20MMAWSS2     | 2   |         |
| 21  | IC1A2000051A     | TOUR                     | 1   |         |
| 22  | IC1A2000069A     | TOUR                     | 1   |         |
| 23  | IC1A2000069A     | TOUR                     | 1   |         |
| 24  | IC1A2000069A     | TOUR                     | 1   |         |
| 25  | IC1A2000071A     | TOUR                     | 1   |         |
| 26  | IC1A2000082A     | TOUR                     | 1   |         |
| 27  | IC1A2000082A     | TOUR                     | 1   |         |
| 28  | IC1A2000082A     | TOUR                     | 1   |         |
| 29  | IC1A2000082A     | TOUR                     | 1   |         |
| 30  | IC1A2000018A     | TOUR                     | 1   |         |
| 31  | IC1A2000018A     | TOUR                     | 1   |         |
| 32  | IC1A2000013A     | TOUR                     | 1   |         |
| 33  | IC1A2000013A     | TOUR                     | 1   |         |
| 34  | IC1A2000027A     | BES CARBON 20MMAWSS2     | 1   |         |
| 35  | IC1A2000037A     | BES CARBON 20MMAWSS2     | 1   |         |
| 36  | IC1A2000037A     | BES CARBON 20MMAWSS2     | 4   |         |
| 37  | IC1A2000037A     | BES CARBON 20MMAWSS2     | 2   |         |
| 38  | IC1A20000470     | BES CARBON 20MMAWSS2     | 2   |         |
| 39  | IC2A2239007A     | BES NETWORK 1530A        | 12  |         |
| 40  | IC2A2239009A     | BES NETWORK 1054C        | 1   |         |
| 41  | IC2A2239009A     | BES NETWORK 1054C        | 1   |         |
| 42  | IC2A2239009A     | BES NETWORK 1054C        | 1   |         |
| 43  | IC2A2239009A     | BES NETWORK 1054C        | 1   |         |
| 44  | IOE9000072BX-1A1 | BMHZ                     | 1   |         |
| 45  | IC1B03X0004A     | TTL IC 74LS04            | 1   |         |
| 46  | IC1B03X0008A     | TTL IC 74LS08            | 1   |         |
| 47  | IC1B03X0035A     | TTL IC 74LS15            | 5   |         |
| 48  | IC1B03X0035A     | TTL IC 74LS15            | 1   |         |
| 49  | IC1B03X0035A     | TTL IC 74LS15            | 2   |         |
| 50  | IC1B03X0035A     | TTL IC 74LS15            | 2   |         |
| 51  | IC1B03X0038A     | TTL IC 74LS18            | 1   |         |
| 52  | IC1B03X0039A     | TTL IC 74LS19            | 2   |         |
| 53  | IC1B03X0037A     | TTL IC 74LS17            | 2   |         |
| 54  | IC1B03X0037A     | TTL IC 74LS17            | 2   |         |
| 55  | IC1B03X0034A     | TTL IC 74LS15            | 2   |         |
| 56  | IC1B03X0004A     | TTL IC 7404              | 1   |         |
| 57  | IC2B0782273A     | C-MOS 74HC273            | 2   |         |
| 58  | IC5E1020019A     | CPU Z-80A                | 1   |         |
| 59  | IC5E1020019A     | S-RAM 2016               | 4   |         |
| 60  | IC5E172040A      | POWER AMP M3731          | 1   |         |
| 61  | IC5E172040A      | POWER AMP M3731          | 1   |         |
| 62  | IC5E172040A      | POWER AMP M3731          | 1   |         |
| 63  | P0600023A        | PAN HD SCREW M3x10       | 2   |         |
| 64  | P2600005A        | FLANGE NUT M4x5          | 2   |         |
| 65  | IC5E172008A      | PSM MSME232              | 1   |         |
| 66  | IC5E172008A      | PSM MSME232              | 1   |         |
| 67  | IC5E172271A      | THERMISTOR TA7530        | 1   |         |
| 68  | ROM2001153A      | P-ROM A22-24 (2/128)     | 1   |         |
| 69  | ROM2001153A      | P-ROM A22-24 (2/128)     | 1   |         |
| 70  | 54C0550072A      | IC SOCKET 24P            | 1   |         |
| 71  | 54C0550080A      | IC SOCKET 28P            | 1   |         |
| 72  | 54C0550090A      | IC SOCKET 40P            | 1   |         |
| 73  | 54C0550094A      | IC SOCKET 42P            | 1   |         |
| 74  | 54C0550094A      | IC SOCKET 42P            | 1   |         |
| 75  | IP.0600040A      | TEST POINT CHIP L=7.8    | 5   |         |
| 76  | AOE.50000        | BA FLAT HARNESS 40P L=70 | 1   |         |
| 77  | IOE900072BA      | LOCKING SUPPORT ICH-0    | 4   |         |

TAITO CORPORATION  
SOUND PC BOARD Assy  
All K1100039A





| LIB | DESCRIPTION | DATE | APPROVED |
|-----|-------------|------|----------|
|     |             |      |          |

(J11 00013A)

|  |  |                      |  |                        |  |
|--|--|----------------------|--|------------------------|--|
| THIRD ANGLE PROJECTION   |  | DATE: 7.19.84        |  | TAITO CORPORATION      |  |
| SIZES: DIMENSIONS SPECIFIED UNLESS OTHERWISE SPECIFIED DIMENSIONS ARE IN MILLIMETERS |  | DRAWN: K-MOY         |  | NAME: SOUND P.C. BOARD |  |
| TOLERANCE  |  | CHECKED: J. SUGIMOTO |  | DATE: 7.20.84          |  |
| MATERIAL   |  | SCALE: 1:1           |  | SHEET: 1 OF 1          |  |
| FINISH   |  | DATE: 7.20.84        |  | SCHEMATIC DIAGRAM      |  |

V11A7 00025A





