

WIRING DIAGRAM

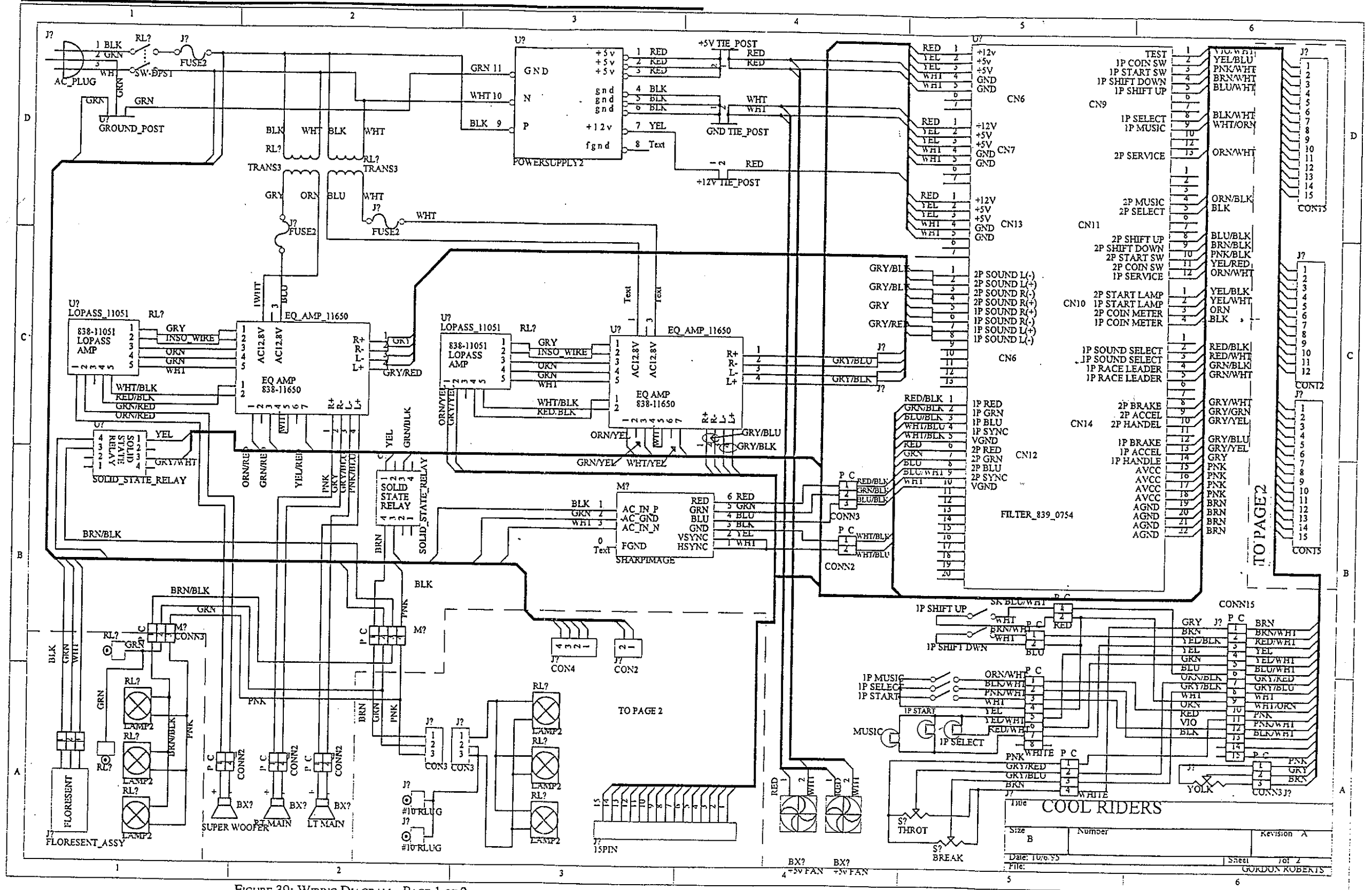
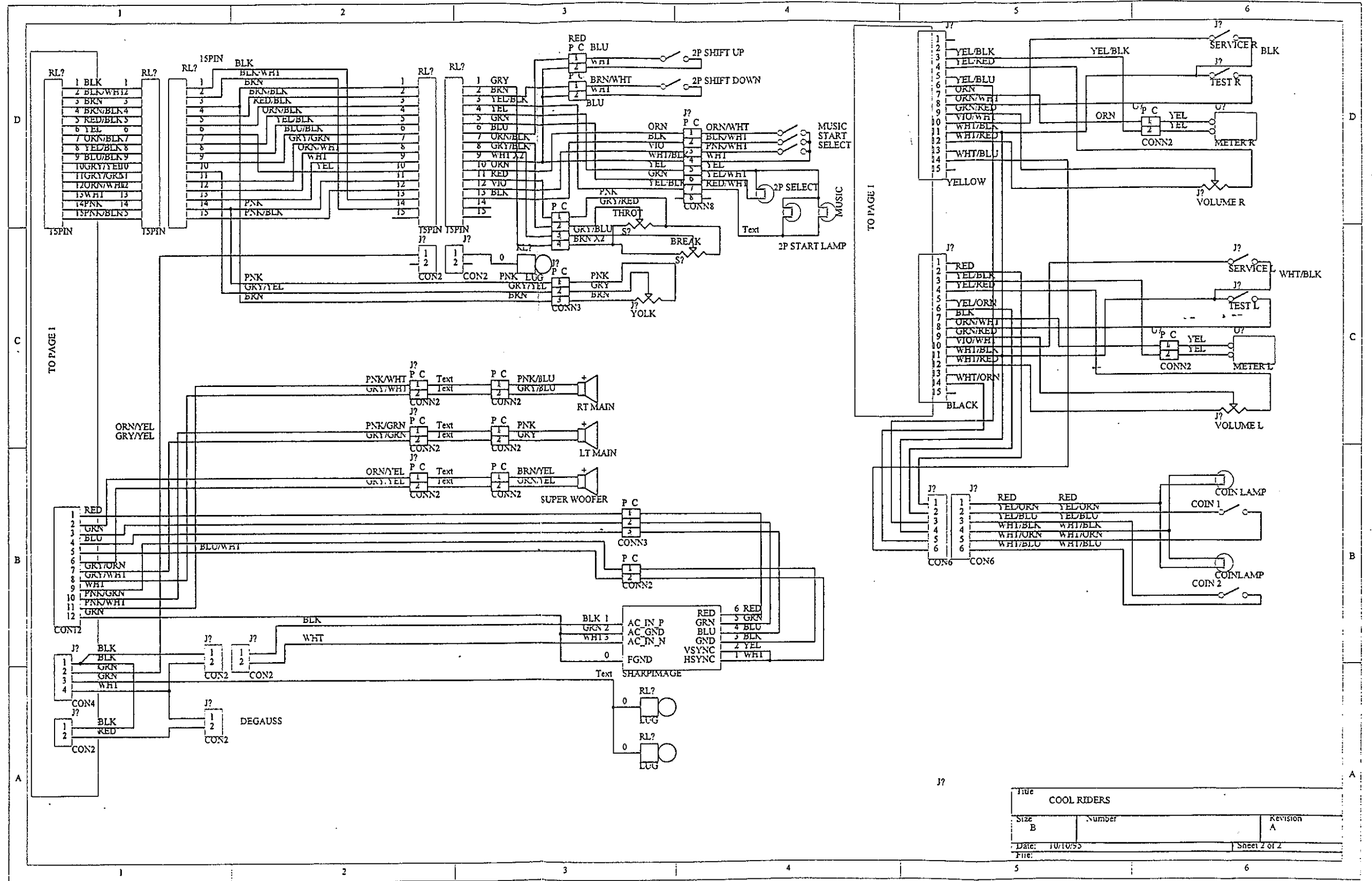


FIGURE 39: WIRING DIAGRAM - PAGE 1 OF 2





Title COOL RIDERS		
Size B	Number	Revision A
Date: 10/10/55	Sheet 2 of 2	
File:		

FIGURE 39 (CONT.) : WIRING DIAGRAM - PAGE 2 OF 2

