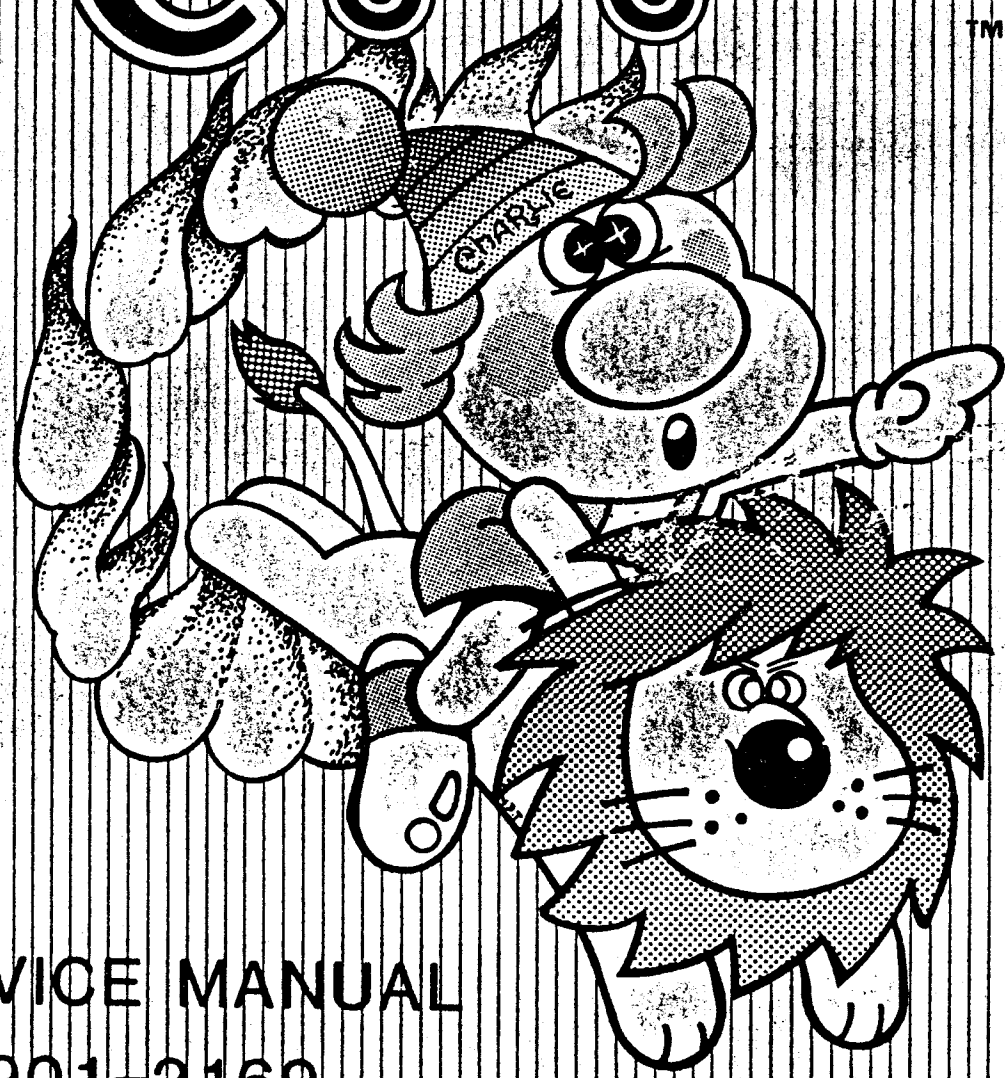


Konami Inc.  
Century Inc.

# CIRCUS CHARLIE™



SERVICE MANUAL  
901-2169

CIRCUS CHARLIE  
OPTIONAL DIP SWITCH SETTINGS

A. Dip Switch No.1 (8P Dip Switch)

Credits

Coin	Plays	SW1	SW2	SW3	SW4	SW5	SW6	SW7	SW8
1	1	Off	Off	Off	Off	Off	Off	Off	Off
1	2	On	Off	Off	Off	On	Off	Off	Off
1	3	Off	On	Off	Off	Off	On	Off	Off
1	4	On	On	Off	Off	On	On	Off	Off
1	5	Off	Off	On	Off	Off	Off	On	Off
1	6	On	Off	On	Off	On	Off	On	Off
1	7	Off	On	On	Off	Off	On	On	Off
2	1	On	On	On	Off	On	On	On	Off
2	3	Off	Off	Off	On	Off	Off	Off	On
2	5	On	Off	Off	On	On	Off	Off	On
3	1	Off	On	Off	On	Off	On	Off	On
3	2	On	On	Off	On	On	On	Off	On
3	4	Off	Off	On	On	Off	Off	On	On
4	1	On	Off	On	On	On	Off	On	On
4	3	Off	On	On	On	Off	On	On	On
Free Play		On	On	On	On	On	On	On	On

B: Dip Switch No.2 (8P Dip Switch)

1. Number Of Clowns

Number	SW1	SW2
<input type="radio"/> 3	Off	Off
4	On	Off
5	Off	On
7	On	On

2. Game Type

Style	SW3	Players
Table	Off	1 or 2 Players
Upright	On	Only 1 Player

3. Bonus Points Setting

First	And Every	SW4	SW5
<input type="radio"/> 20,000	70,000	Off	Off
30,000	80,000	On	Off

B. Dip Switch No.2 (continues)

4. Play Difficulty

Option	SW6	SW7
Easy	Off	Off
<input type="radio"/> Normal	On	Off
Hard	Off	On
Difficult	On	On

5. Audio Attraction

Sound Mode	SW8
No Sound In Attract Mode	Off
<input type="radio"/> Sound In Attract Mode	On

Denotes Normal Settings

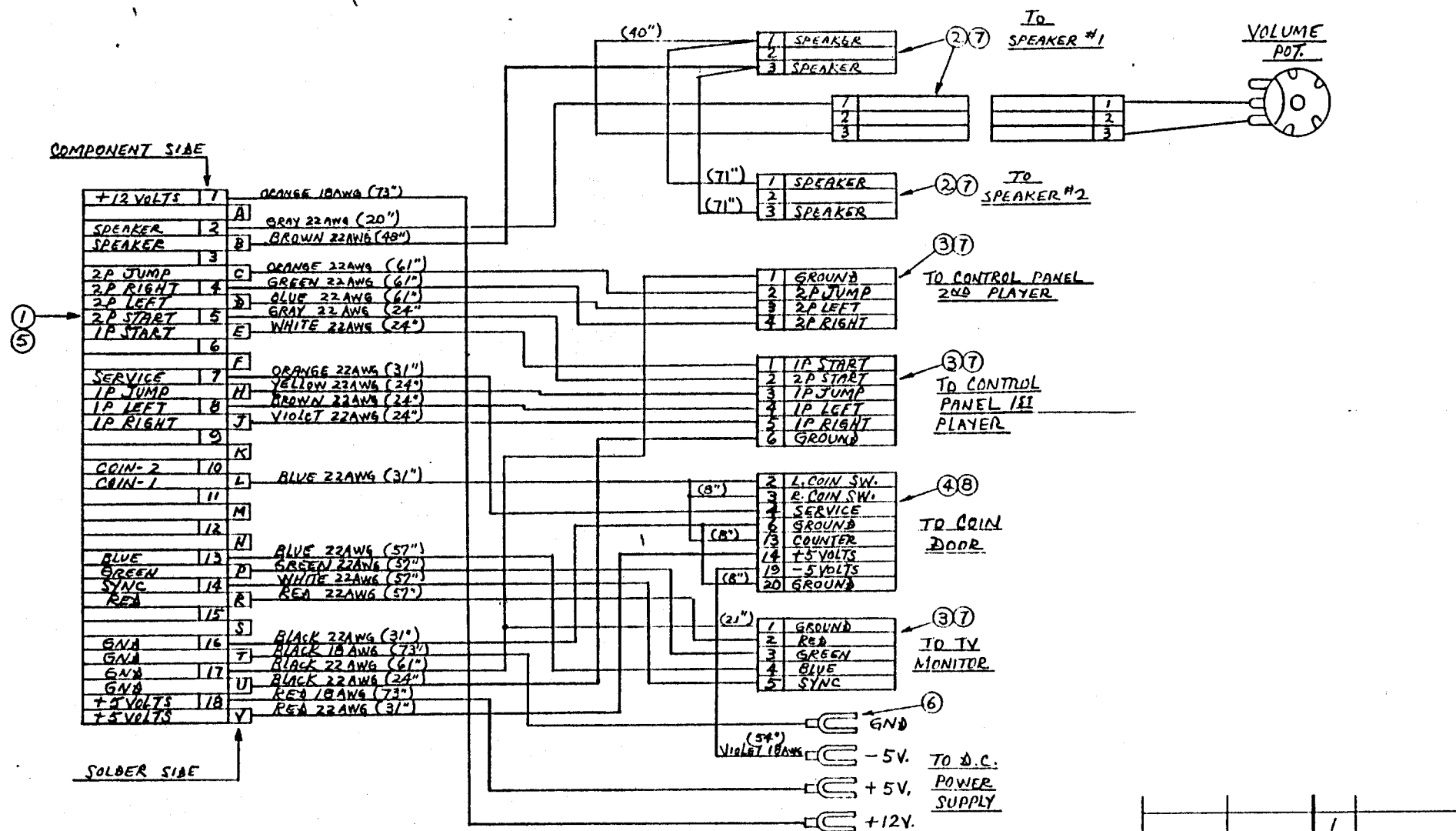
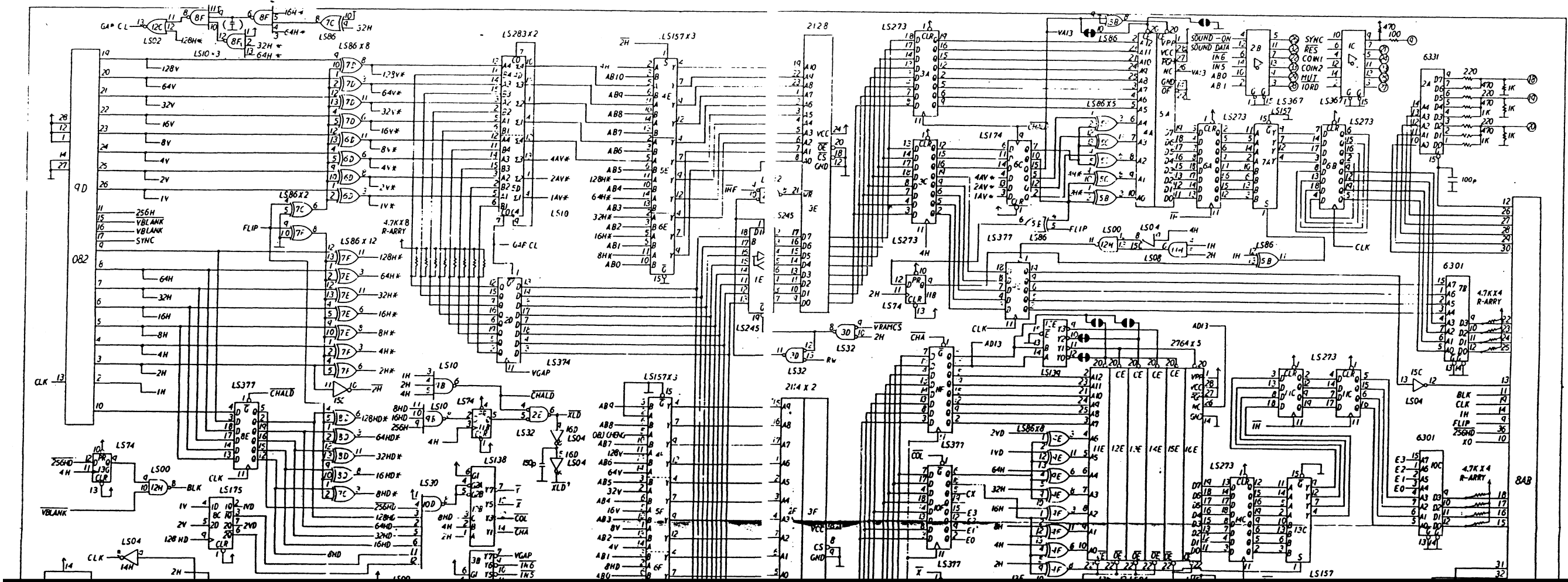
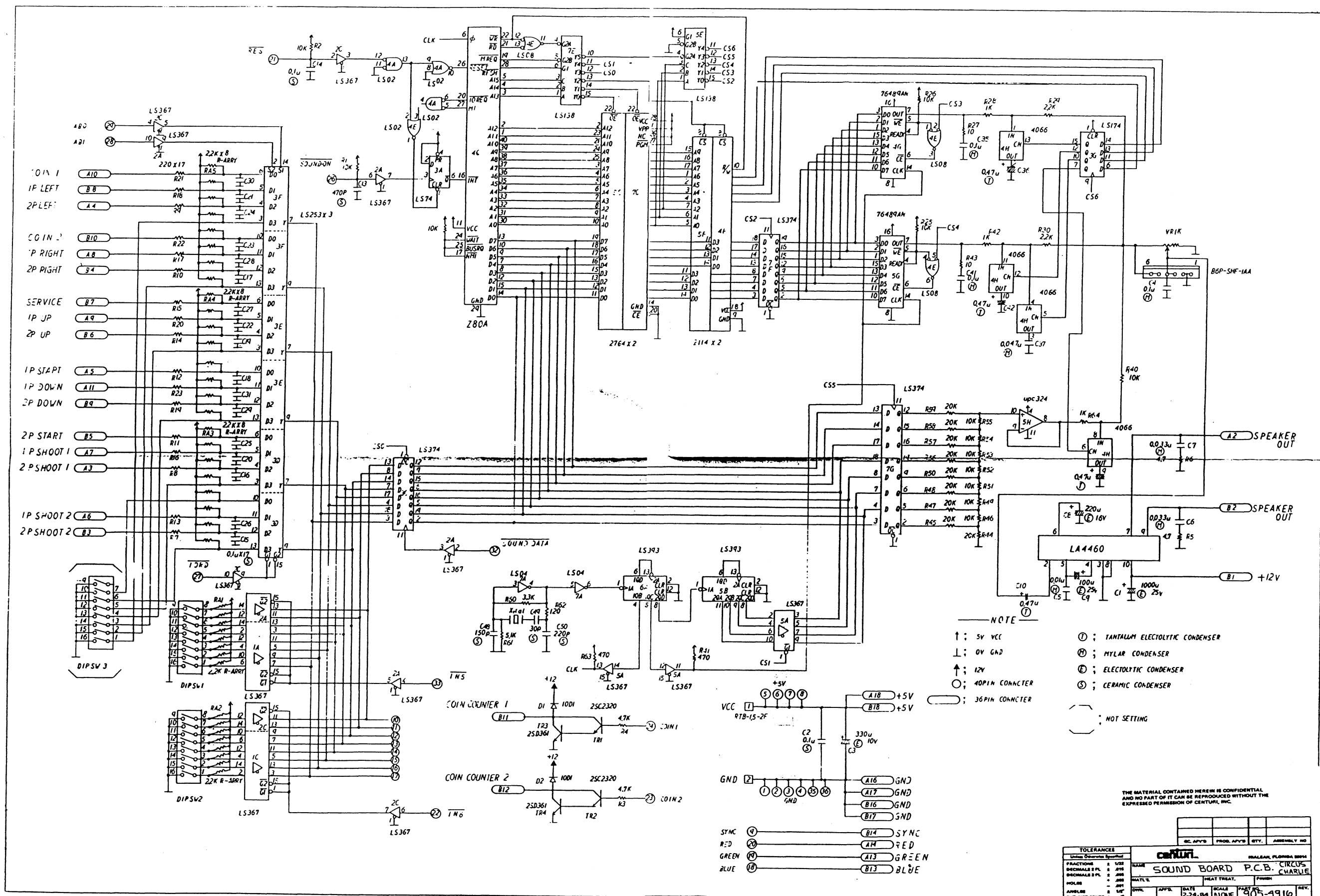


FIGURE 13

REV. LET.		ECN NO.	REVISION	BY	TOLERANCES		HIALEAH, FLORIDA 33014			
					Unless Otherwise Specified					
					FRACTIONS	± 1/32	NAME			
					DECIMALS 2 PL	± .015	CPU HARNESS-CIRCUS CHARLIE, C/T			
					DECIMALS 3 PL	± .005	MATERIALS		HEAT TREAT.	FINISH
					HOLES	+ .003				
					ANGLES	± 1/2°	DWN	DATE	SCALE	PART NO.
					SMT. MET BENDS	± 2°	M.S.	12-28-83	1/2	008-4930
							APP'D.			REV.
										A





NOTE

↑; 5V VCC  
 ↓; 0V GND  
 ↑↑; 12V  
 ○; 40PIN CONNECTER  
 ○; 36PIN CONNECTER

①; TANTALUM ELECTROLYTIC CONDENSER  
 ⊕; MYLAR CONDENSER  
 ⊖; ELECTROLYTIC CONDENSER  
 ⊙; CERAMIC CONDENSER  
 □; NOT SETTING

THE MATERIAL CONTAINED HEREIN IS CONFIDENTIAL AND NO PART OF IT CAN BE REPRODUCED WITHOUT THE EXPRESSED PERMISSION OF CENTURI, INC.

TOLERANCES		CENTURI	
FRACCTIONS	1/2%	DATE	SCALE
DIMENSIONS	± 0.01	2-24-84	NONE
DECIMALS	± 0.05	SCALE	PART NO.
HOLDERS	± 0.01	DATE	905-4916
ANGLES	± 1/2°	SCALE	REV.
DWT. MET DENOM	± 0.001	SCALE	

PC. APY'S PROD. APY'S QTY. ASSEMBLY NO.

ORLANDO, FLORIDA 32804

**SOUND BOARD P.C.B.** CHARLES

- ① SYNC
- ② RED
- ③ GREEN
- ④ BLUE
- ⑤ +5V
- ⑥ +5V
- ⑦ GND
- ⑧ GND
- ⑨ GND
- ⑩ GND
- ⑪ +12V
- ⑫ GND
- ⑬ GND
- ⑭ GND
- ⑮ GND
- ⑯ SYNC
- ⑰ RED
- ⑱ GREEN
- ⑲ BLUE