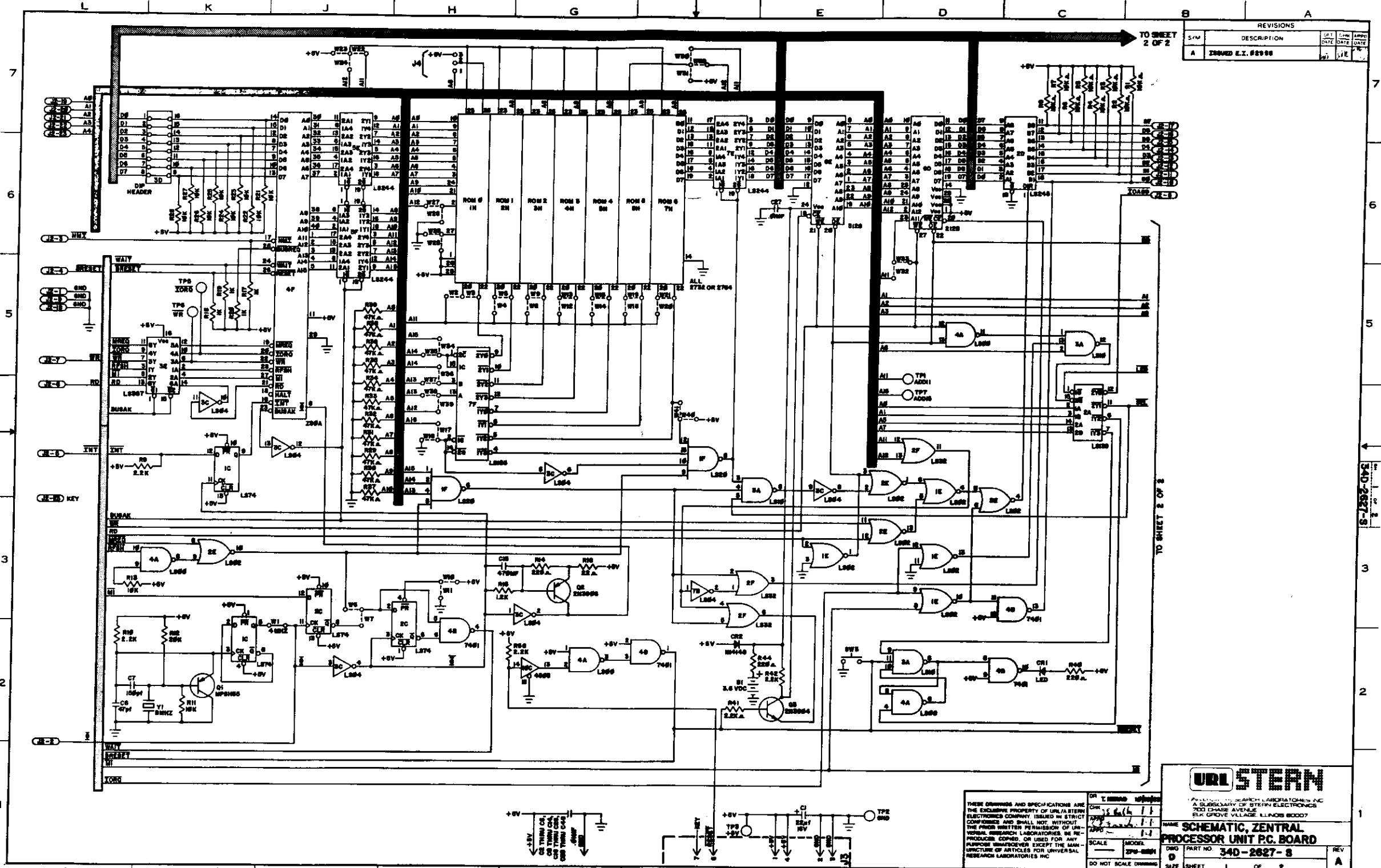


REVISIONS			
S/N	DESCRIPTION	DATE	APP'D
A	ISSUED E.I. #2998		



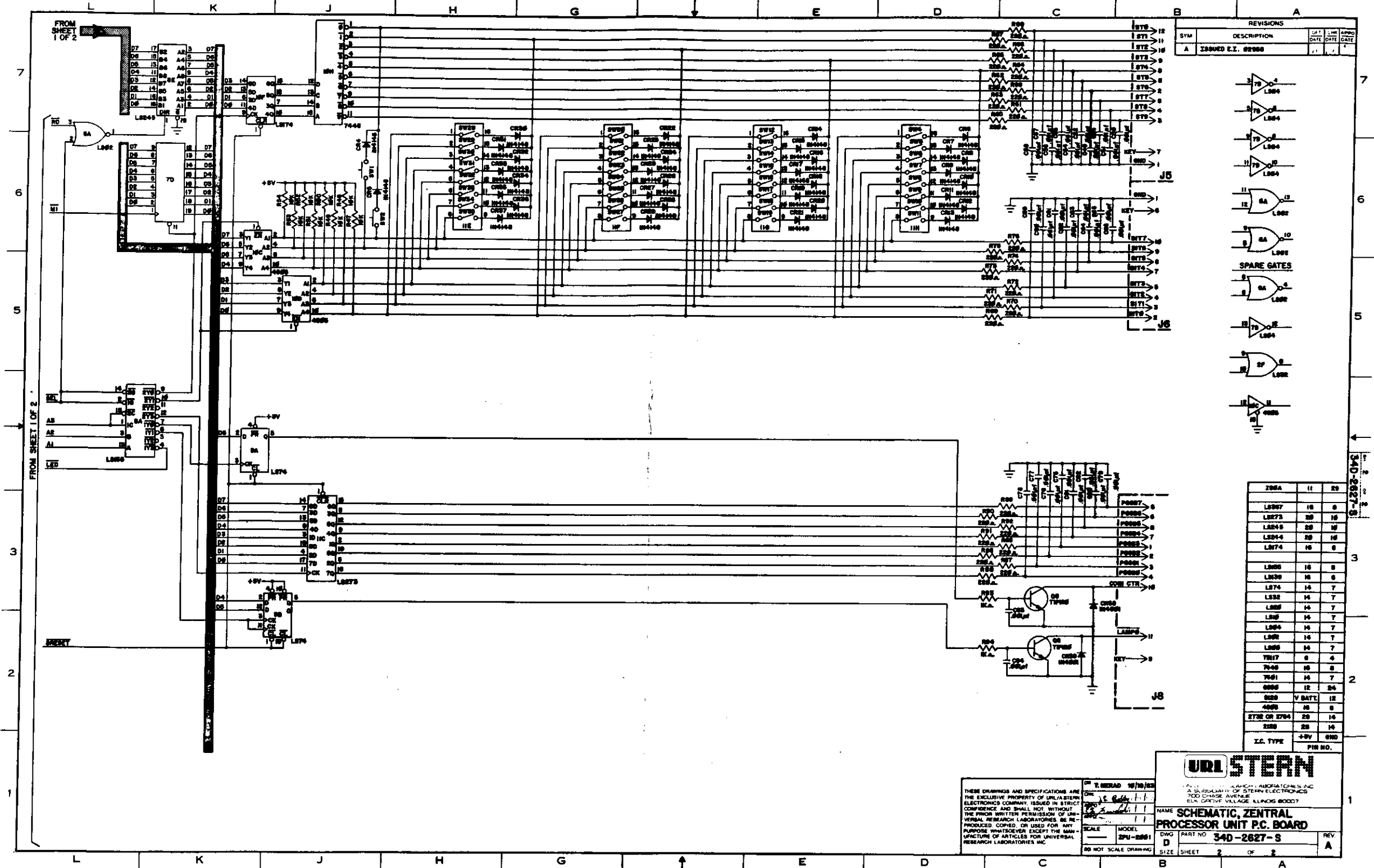
THESE DRAWINGS AND SPECIFICATIONS ARE THE EXCLUSIVE PROPERTY OF URL/STERN ELECTRONICS COMPANY. ISSUED IN STRICT CONFIDENCE AND SHALL NOT, WITHOUT THE PRIOR WRITTEN PERMISSION OF UNIVERSAL RESEARCH LABORATORIES, BE REPRODUCED, COPIED, OR USED FOR ANY PURPOSE WHATSOEVER EXCEPT THE MANUFACTURE OF ARTICLES FOR UNIVERSAL RESEARCH LABORATORIES INC.

OR: T. HERRING
 CHK: S. G. H. 11
 DATE: 11-1-68
 SCALE: 1:1
 MODEL: 299-8888
 DO NOT SCALE DRAWING

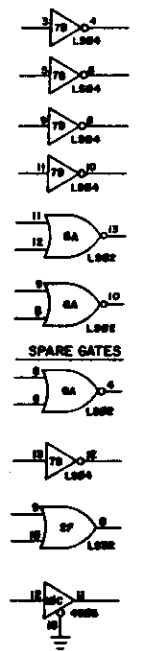
URL STERN
 UNIVERSAL RESEARCH LABORATORIES INC.
 A SUBSIDIARY OF STERN ELECTRONICS
 700 CHASE AVENUE, LINCOLN 80007

NAME: SCHEMATIC, ZENTRAL
 PROCESSOR UNIT PC BOARD
 PART NO: 340-2627-8
 REV: A

340-2627-8
 SHEET 2 OF 2



REVISIONS				
SYM	DESCRIPTION	DATE	BY	APP'D
A	ISSUED E.I. 02000	11		

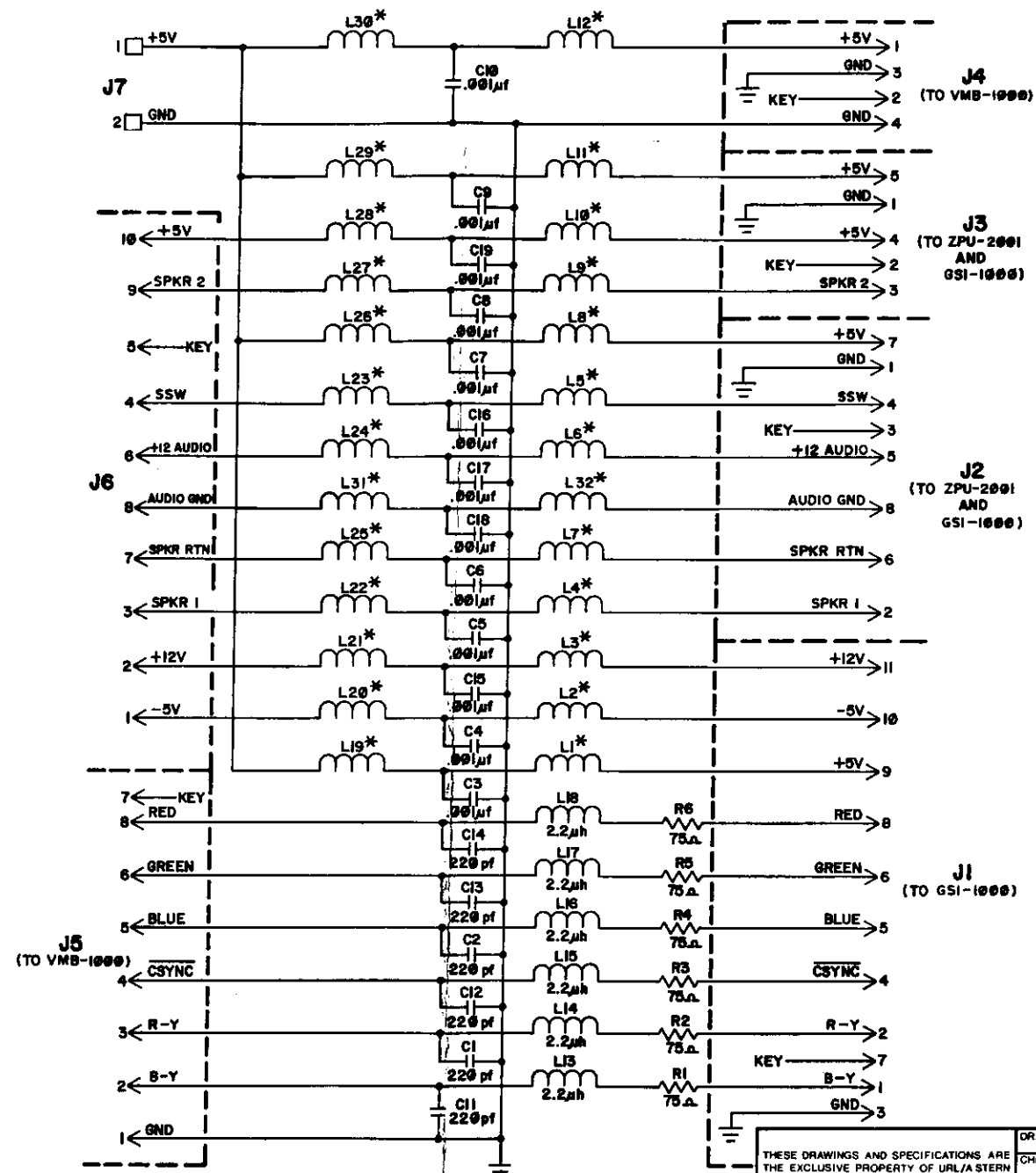


200A	11	20
L807	16	8
L8275	28	16
L8245	28	16
L8244	28	16
L874	16	8
L858	16	8
L830	16	8
L874	14	7
L832	14	7
L869	14	7
L86	14	7
L864	14	7
L862	14	7
L866	14	7
7817	8	4
7805	10	8
7801	14	7
8000	12	24
8000 V BATT.	12	
4000	16	8
2750 OR 2704	28	16
2200	28	16
I.C. TYPE	+5V	800
		PIR NO.

THESE DRAWINGS AND SPECIFICATIONS ARE THE EXCLUSIVE PROPERTY OF URL/ASTERN ELECTRONICS COMPANY. ISSUED IN STRICT CONFIDENCE AND SHALL NOT, WITHOUT THE PRIOR WRITTEN PERMISSION OF UNIVERSAL RESEARCH LABORATORIES, BE REPRODUCED, COPIED, OR USED FOR ANY PURPOSE WHATSOEVER EXCEPT THE MANUFACTURE OF ARTICLES FOR UNIVERSAL RESEARCH LABORATORIES INC.
 DATE: 10/10/63
 SCALE: MODEL 2PU-2801
 DO NOT SCALE DRAWING

URL/ASTERN
 NAME: SCHEMATIC, CENTRAL PROCESSOR UNIT P.C. BOARD
 DWG: PART NO: 340-2627-S
 SIZE: SHEET 2 OF 2
 REV: A

REVISIONS				
SYM	DESCRIPTION	DFT DATE	CHK DATE	APPD DATE
A	ISSUED E.I. #2956	1/14	1/27	2/22



- NOTES:
- * = INDUCTORS ARE FERRITE BEADS.
 - J5, J6 AND J7 MOUNT ON SOLDER SIDE.

THESE DRAWINGS AND SPECIFICATIONS ARE THE EXCLUSIVE PROPERTY OF URL/A STERN ELECTRONICS COMPANY. ISSUED IN STRICT CONFIDENCE AND SHALL NOT, WITHOUT THE PRIOR WRITTEN PERMISSION OF UNIVERSAL RESEARCH LABORATORIES, BE REPRODUCED, COPIED, OR USED FOR ANY PURPOSE WHATSOEVER EXCEPT THE MANUFACTURE OF ARTICLES FOR UNIVERSAL RESEARCH LABORATORIES INC.

DR T. NERAD 10/19/63
CHK 1/1
APPD *[Signature]*
SCALE 10 by 63
MODEL CRF-1002
DO NOT SCALE DRAWING

URL STERN
UNIVERSAL RESEARCH LABORATORIES INC.
A SUBSIDIARY OF STERN ELECTRONICS
700 CHASE AVENUE
ELK GROVE VILLAGE, ILLINOIS 60007

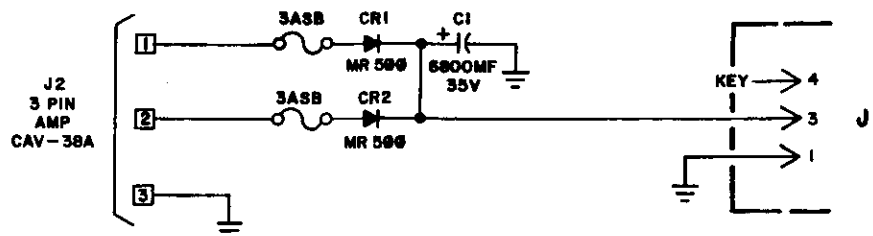
NAME **SCHEMATIC, CARD RACK FILTER P.C. BOARD**

DWG PART NO. **34C-2600-S** REV. **A**

SIZE SHEET 1 OF 1

34C-2600-S

REVISIONS				
SYM	DESCRIPTION	DET DATE	CHK DATE	APPO DATE
A	ISSUED E. I. 02063	10/1/63		



THESE DRAWINGS AND SPECIFICATIONS ARE THE EXCLUSIVE PROPERTY OF URL/A STERN ELECTRONICS COMPANY. ISSUED IN STRICT CONFIDENCE AND SHALL NOT, WITHOUT THE PRIOR WRITTEN PERMISSION OF UNIVERSAL RESEARCH LABORATORIES, BE REPRODUCED, COPIED, OR USED FOR ANY PURPOSE WHATSOEVER EXCEPT THE MANUFACTURE OF ARTICLES FOR UNIVERSAL RESEARCH LABORATORIES INC.

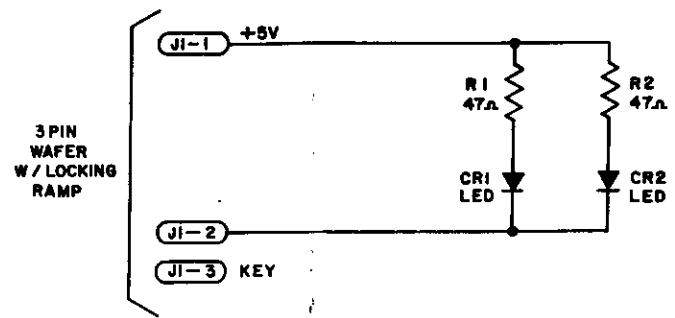
DR. J.S.M. 10/10/63
CHK. 1/1
APPRO. *[Signature]*
APPRO. *[Signature]*
SCALE _____ MODEL RFB-1000
DO NOT SCALE DRAWING

URL STERN
UNIVERSAL RESEARCH LABORATORIES INC.
A SUBSIDIARY OF STERN ELECTRONICS
700 CHASE AVENUE
ELK GROVE VILLAGE, ILLINOIS 60007

NAME **SCHEMATIC, RECTIFIER FILTER P.C. BOARD**
DWG. PART NO. **34C-2610-S** REV. **A**
C SIZE SHEET 1 OF 1

34C-2610-S

REVISIONS				
SYM	DESCRIPTION	DFT DATE	CHK DATE	APPD DATE
A	ISSUED E.I. 02956	9/2/52		



THESE DRAWINGS AND SPECIFICATIONS ARE THE EXCLUSIVE PROPERTY OF URL/A STERN ELECTRONICS COMPANY, ISSUED IN STRICT CONFIDENCE AND SHALL NOT, WITHOUT THE PRIOR WRITTEN PERMISSION OF UNIVERSAL RESEARCH LABORATORIES, BE REPRODUCED, COPIED, OR USED FOR ANY PURPOSE WHATSOEVER EXCEPT THE MANUFACTURE OF ARTICLES FOR UNIVERSAL RESEARCH LABORATORIES INC

DR.	J.G.M.	102083
CHK.		11
APPD.	<i>[Signature]</i>	10/1/52
APPD.		11
SCALE		
MODEL		1RT-1000
DO NOT SCALE DRAWING		

URL STERN

UNIVERSAL RESEARCH LABORATORIES, INC
A SUBSIDIARY OF STERN ELECTRONICS
700 CHASE AVENUE
ELK GROVE VILLAGE, ILLINOIS 60007

NAME **SCHEMATIC, INFRARED TRANSMITTER P.C. BOARD**

DWG **C** PART NO. **34C-2660-S** REV. **A**

SIZE SHEET **1** OF **1**

34C-2660-S

CLIFF HANGER

