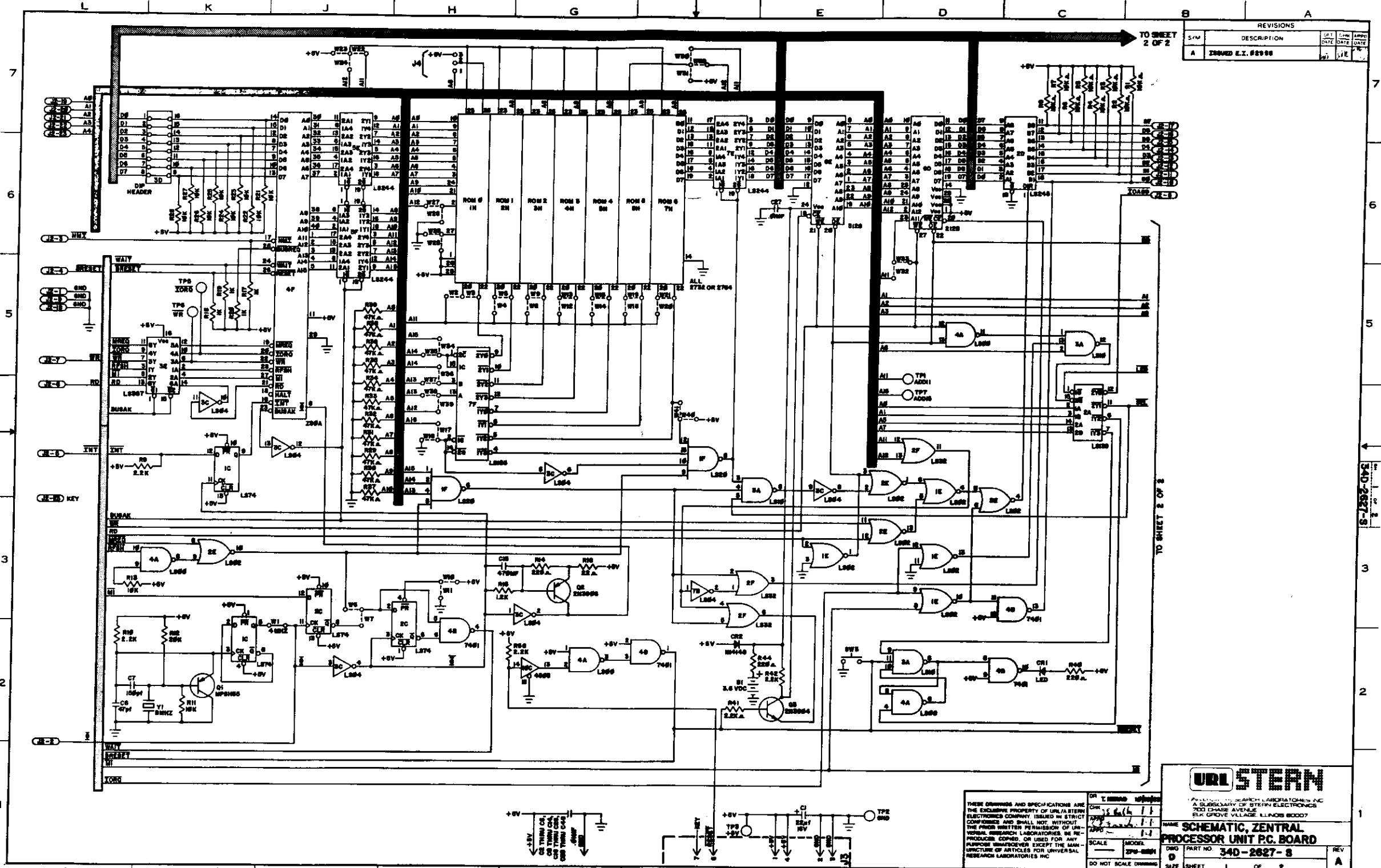


REVISIONS			
S/N	DESCRIPTION	DATE	APP'D
A	ISSUED E.I. #2998		



URL STERN
 UNIVERSAL RESEARCH LABORATORIES, INC.
 A SUBSIDIARY OF STERN ELECTRONICS
 700 CHASE AVENUE, LINCOLN 60007

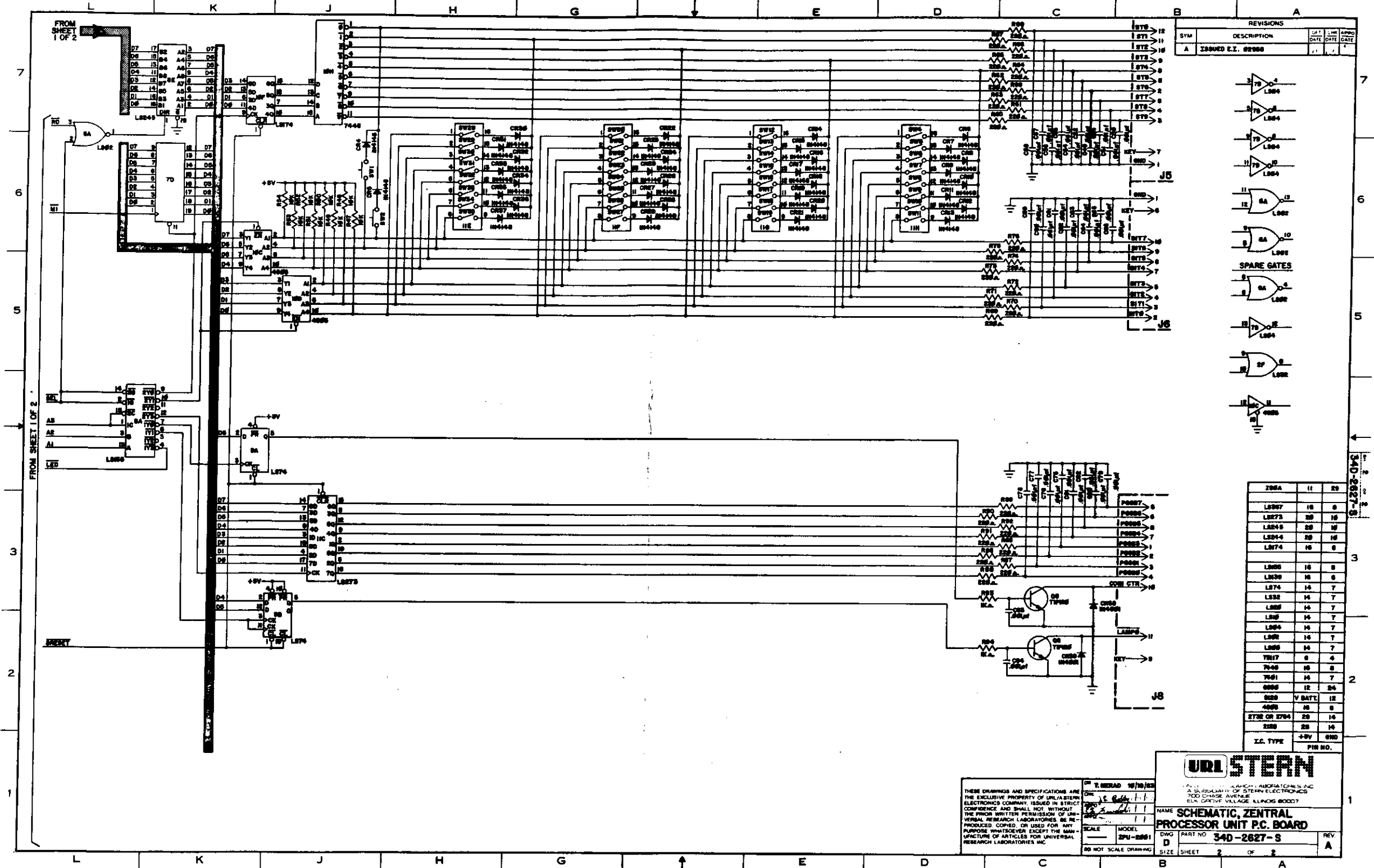
NAME: SCHEMATIC, ZENTRAL
 PROCESSOR UNIT PC BOARD
 PART NO: 340-2627-S
 REV: A

SCALE: 1:1
 MODEL: 299-8888
 DO NOT SCALE DRAWING

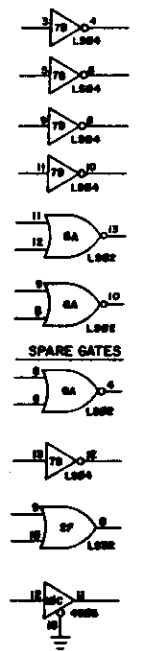
DATE: 11/11/61
 DRAWN BY: J.E.
 CHECKED BY: J.E.

340-2627-S
 SHEET 2 OF 2

THESE DRAWINGS AND SPECIFICATIONS ARE THE EXCLUSIVE PROPERTY OF URL/STERN ELECTRONICS COMPANY. ISSUED IN STRICT CONFIDENCE AND SHALL NOT, WITHOUT THE PRIOR WRITTEN PERMISSION OF UNIVERSAL RESEARCH LABORATORIES, BE REPRODUCED, COPIED, OR USED FOR ANY PURPOSE WHATSOEVER EXCEPT THE MANUFACTURE OF ARTICLES FOR UNIVERSAL RESEARCH LABORATORIES, INC.



REVISIONS				
SYM	DESCRIPTION	DATE	BY	APP'D
A	ISSUED E.I. 02000	11		

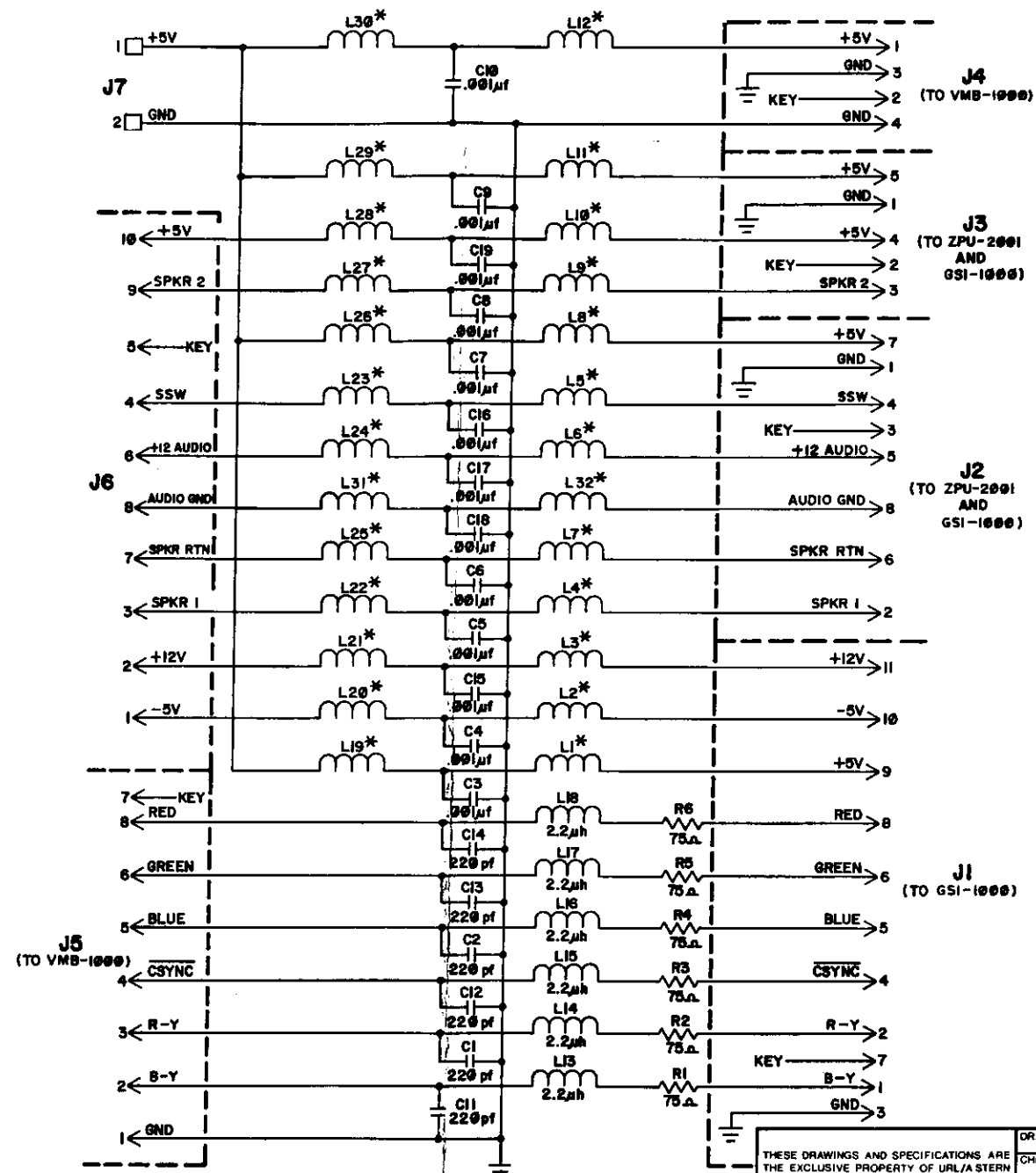


Z80A	11	20
L807	16	8
L827S	28	16
L824S	28	16
L824	28	16
L874	16	8
L808	16	8
L830	16	8
L874	14	7
L832	14	7
L809	14	7
L80	14	7
L804	14	7
L802	14	7
L806	14	7
7817	8	4
7805	10	8
7801	14	7
8000	12	24
8000	V BATT.	12
4000	16	8
2732 OR 2704	28	16
220	28	16
I.C. TYPE	+5V	800
	PIB NO.	

THESE DRAWINGS AND SPECIFICATIONS ARE THE EXCLUSIVE PROPERTY OF URL/ASTERN ELECTRONICS COMPANY. ISSUED IN STRICT CONFIDENCE AND SHALL NOT, WITHOUT THE PRIOR WRITTEN PERMISSION OF UNIVERSAL RESEARCH LABORATORIES, BE REPRODUCED, COPIED, OR USED FOR ANY PURPOSE WHATSOEVER EXCEPT THE MANUFACTURE OF ARTICLES FOR UNIVERSAL RESEARCH LABORATORIES INC.
 DATE: 10/18/63
 SCALE: MODEL 2PU-2801
 DO NOT SCALE DRAWING

URL/ASTERN
 NAME: SCHEMATIC, CENTRAL PROCESSOR UNIT P.C. BOARD
 DWG: PART NO. 340-2627-S
 SIZE: SHEET 2 OF 2
 REV: A

REVISIONS				
SYM	DESCRIPTION	DFT DATE	CHK DATE	APPD DATE
A	ISSUED E.I. #2956			



- NOTES:
- * = INDUCTORS ARE FERRITE BEADS.
 - J5, J6 AND J7 MOUNT ON SOLDER SIDE.

THESE DRAWINGS AND SPECIFICATIONS ARE THE EXCLUSIVE PROPERTY OF URL/A STERN ELECTRONICS COMPANY. ISSUED IN STRICT CONFIDENCE AND SHALL NOT, WITHOUT THE PRIOR WRITTEN PERMISSION OF UNIVERSAL RESEARCH LABORATORIES, BE REPRODUCED, COPIED, OR USED FOR ANY PURPOSE WHATSOEVER EXCEPT THE MANUFACTURE OF ARTICLES FOR UNIVERSAL RESEARCH LABORATORIES INC.

DR T. NERAD 10/19/63
CHK
APPD
SCALE
MODEL
CRF-1002
DO NOT SCALE DRAWING

URL STERN
UNIVERSAL RESEARCH LABORATORIES INC.
A SUBSIDIARY OF STERN ELECTRONICS
700 CHASE AVENUE
ELK GROVE VILLAGE, ILLINOIS 60007

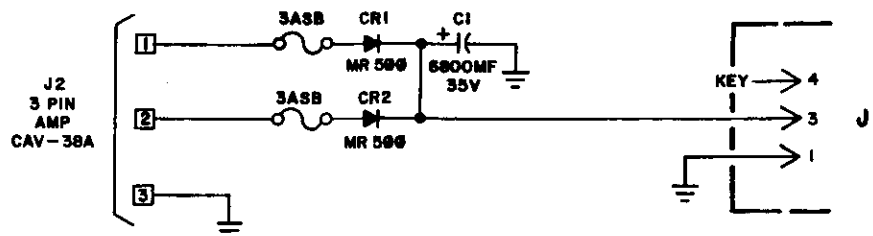
NAME **SCHEMATIC, CARD RACK FILTER P.C. BOARD**

DWG PART NO. **34C-2600-S** REV. **A**

SIZE SHEET 1 OF 1

34C-2600-S

REVISIONS				
SYM	DESCRIPTION	DET DATE	CHK DATE	APPO DATE
A	ISSUED E. I. 02063	10/1/63		



THESE DRAWINGS AND SPECIFICATIONS ARE THE EXCLUSIVE PROPERTY OF URL/A STERN ELECTRONICS COMPANY. ISSUED IN STRICT CONFIDENCE AND SHALL NOT, WITHOUT THE PRIOR WRITTEN PERMISSION OF UNIVERSAL RESEARCH LABORATORIES, BE REPRODUCED, COPIED, OR USED FOR ANY PURPOSE WHATSOEVER EXCEPT THE MANUFACTURE OF ARTICLES FOR UNIVERSAL RESEARCH LABORATORIES INC.

DR. J.S.M. 10/10/63
CHK. 1/1
APPRO. *[Signature]*
APPRO. *[Signature]*
SCALE _____ MODEL RFB-1000
DO NOT SCALE DRAWING

URL STERN
UNIVERSAL RESEARCH LABORATORIES INC.
A SUBSIDIARY OF STERN ELECTRONICS
700 CHASE AVENUE
ELK GROVE VILLAGE, ILLINOIS 60007

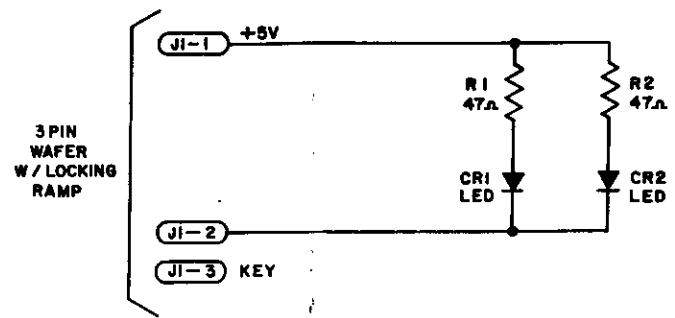
NAME **SCHEMATIC, RECTIFIER FILTER P.C. BOARD**

DWG PART NO. **34C-2610-S** REV. **A**

C SIZE SHEET 1 OF 1

34C-2610-S

REVISIONS				
SYM	DESCRIPTION	DFT DATE	CHK DATE	APPD DATE
A	ISSUED E.I. 02956	9/2/52		



THESE DRAWINGS AND SPECIFICATIONS ARE THE EXCLUSIVE PROPERTY OF URL/A STERN ELECTRONICS COMPANY, ISSUED IN STRICT CONFIDENCE AND SHALL NOT, WITHOUT THE PRIOR WRITTEN PERMISSION OF UNIVERSAL RESEARCH LABORATORIES, BE REPRODUCED, COPIED, OR USED FOR ANY PURPOSE WHATSOEVER EXCEPT THE MANUFACTURE OF ARTICLES FOR UNIVERSAL RESEARCH LABORATORIES INC

DR.	J.G.M.	102083
CHK.		11
APPD.	<i>[Signature]</i>	10/1/52
APPD.		11
SCALE		
MODEL		1RT-1000
DO NOT SCALE DRAWING		

URL STERN
 UNIVERSAL RESEARCH LABORATORIES, INC
 A SUBSIDIARY OF STERN ELECTRONICS
 700 CHASE AVENUE
 ELK GROVE VILLAGE, ILLINOIS 60007

NAME		SCHEMATIC, INFRARED TRANSMITTER P.C. BOARD	
DWG	PART NO.	REV.	
C	34C-2660-S	A	
SIZE	SHEET	OF	
	1	1	

34C-2660-S

CLIFF HANGER

