

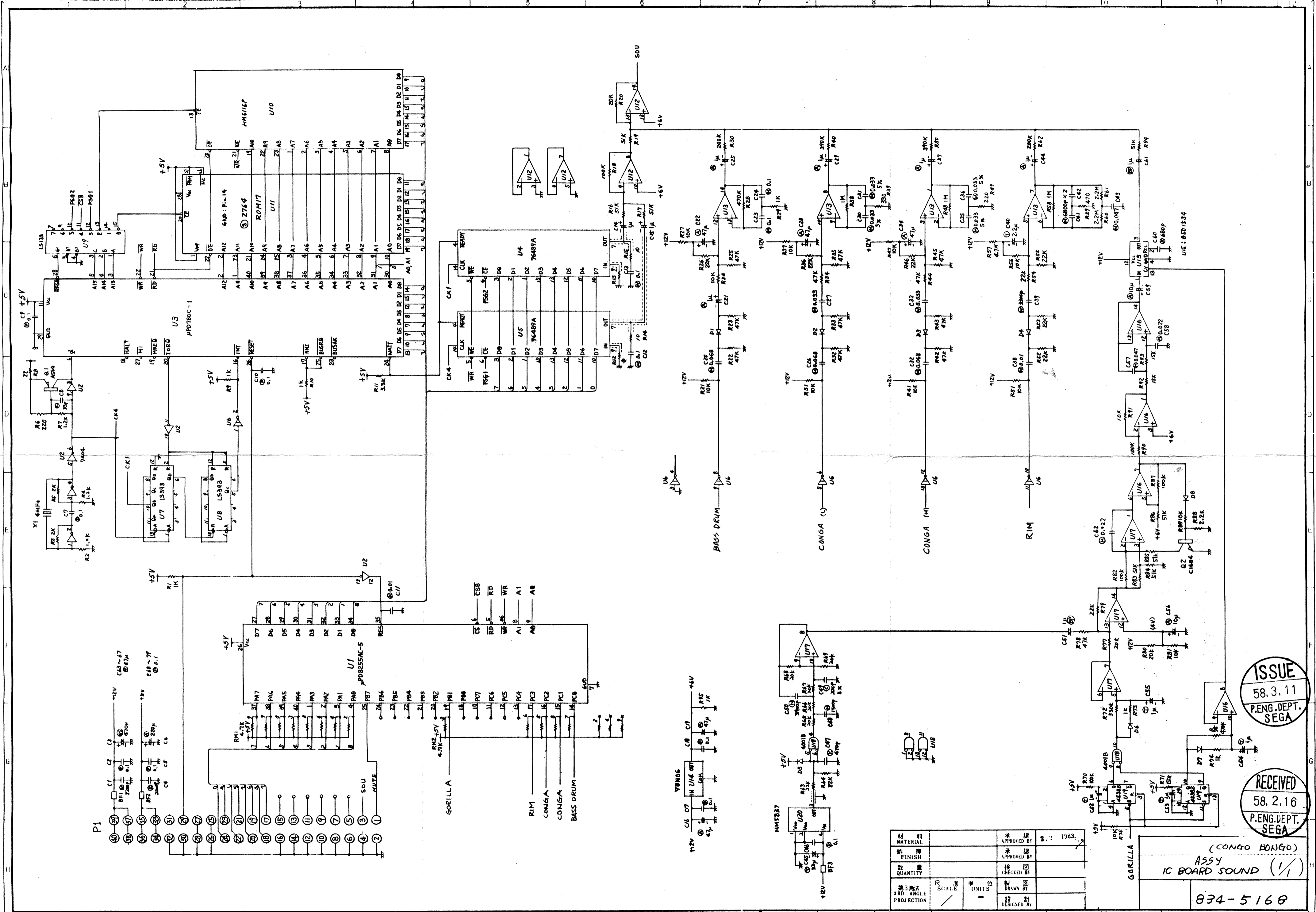
- NC 10
- NC 9
- NC 8
- GND 7
- GND 6
- GND 5
- NC 4
- +5V 3
- +5V 2
- +5V 1
- SP 12-0-7
- SP 12-0-8
- COIN METER A 1
- COIN METER B 2
- COIN SW A 3
- COIN SW B 4
- SERVICE SW 10
- PNL RESST 1
- P2 START 11
- P1 START 14
- P1 SOUTH 12
- P1 NORTH 13
- P1 WEST 15
- P1 EAST 16
- P1 SOUTH 14
- P1 NORTH 15
- P1 WEST 16
- P1 EAST 17
- P2 SOUTH 18
- P2 NORTH 19
- P2 WEST 20
- P2 EAST 21
- P2 SOUTH 22
- P2 NORTH 23
- P2 WEST 24
- P2 EAST 25
- GND 18
- GND 19
- GREEN 4
- RED 5
- SYNC 20
- BLUE 1
- GND 21
- GND 22
- GND 23
- GND 24

ISSUE
58.3.11
P.ENG.DEPT.
SEGA

RECEIVED
58.2.16
P.ENG.DEPT.
SEGA

DATE	2.21.83
APPROVED BY	
CHECKED BY	
DESIGNED BY	
SCALE	
UNIT	
PRODUCTION	

* CONGO BONGO
ASSY IC BOARD CONTROL
834-5166
834-5207

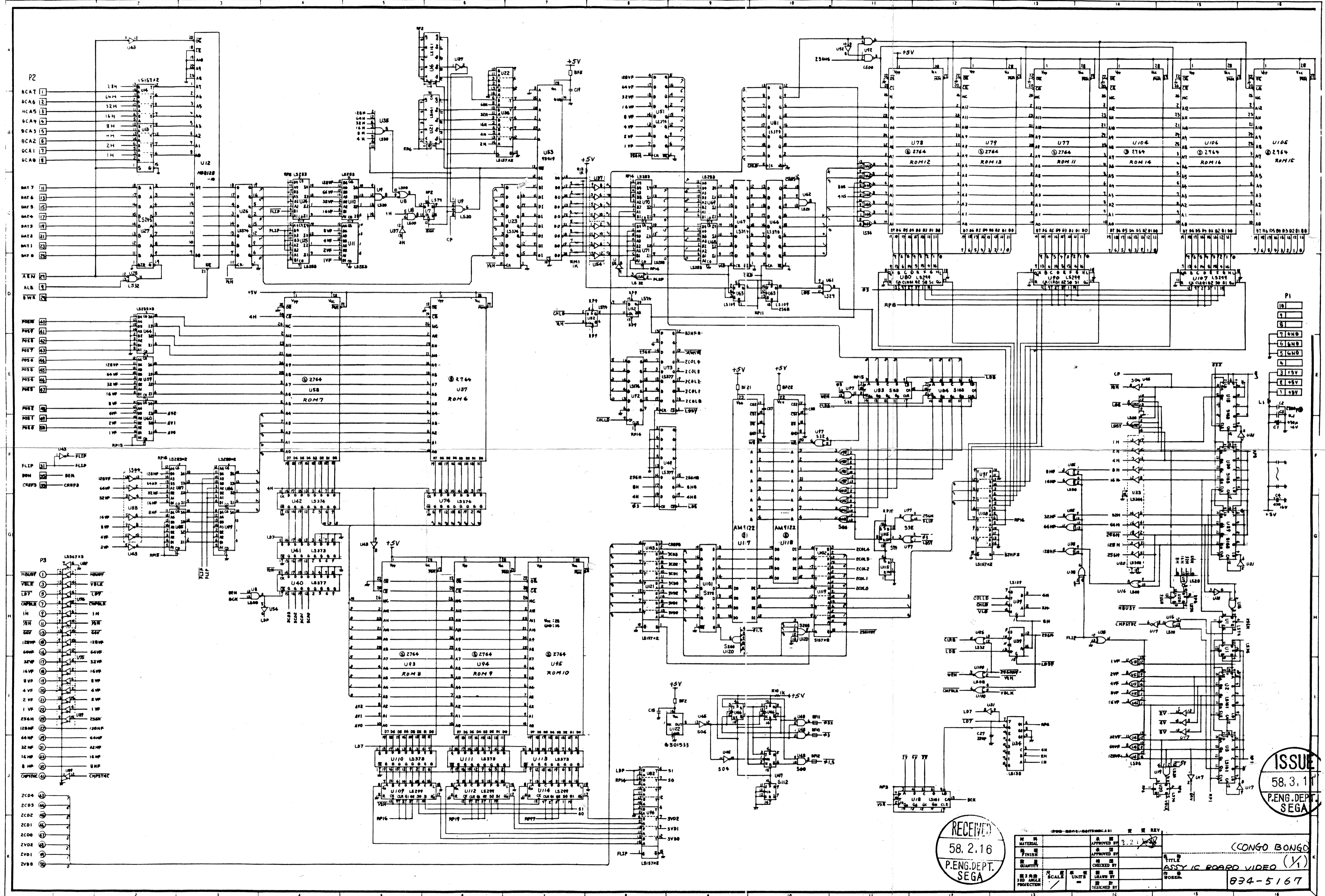


材料	APPROVED BY	2. 1983.
FINISH	APPROVED BY	
数量	CHECKED BY	
3層板	DRAWN BY	
PRODUCTION	DESIGNED BY	

ISSUE
58.3.11
P.ENG.DEPT.
SEGA

RECEIVED
58.2.16
P.ENG.DEPT.
SEGA

(CONGO BONGO)
ASSY
IC BOARD SOUND (1/1)
034-5160



RECEIVED
58.2.16
P.ENG.DEPT.
SEGA

DATE	2.21.83	REV	
DESIGNED BY		CHECKED BY	
DRAWN BY		APPROVED BY	
PROJECT	CONGO BONGO		
TITLE	ASSY IC BOARD VIDEO (1)		
WORKS	834-5167		

ISSUE
58.3.1
P.ENG.DEPT.
SEGA