



INSTRUCTION MANUAL



 **KONAMI**® is a trademark of Konami Industry Co., Ltd.

CRIME FIGHTERS is a registered trademark of Konami, Inc. ©1989 Konami Inc.

Part Number 821400

CRIME FIGHTER TECHNICAL INFORMATION

TECHNICAL INFORMATION

GX821-UA

- (1) Required power capacity
GND-Vcc 5V 4A or more
GND-(+12V)
*See the Wiring Diagram.
- (2) Output
R (red) analog, positive
G (green) analog, positive
B (blue) analog, positive
SYNC. H-V complexed, negative
- (3) Use the volume knob on the PCB to adjust sound level.
Turn the knob clockwise and it becomes louder.
- (4) Handle with care.

CABINET INFORMATION

- (1) Use an upright cabinet with a big control panel having four sets of an 8-way joystick and two function buttons.
- (2) Four independent coin slots are also necessary.
- (3) Start buttons are unnecessary. Function buttons can be substituted for them.

SELF TEST

Normal: OK will be displayed. Then the game will start.
Abnormal: BAD will be displayed and the screen will stop.

MANUAL TEST

- (1) How to start
Turn on the power while the SW3 of the DIP SWITCH No. 3 is on. Push player 1 KICK button to change items.
- (2) Test items
 1. ROM check
 2. Picture contortion
 3. Color check
 4. I/O check
 5. Sound check
 6. Dip switch settings

*Push player 2 KICK button to change sound code.
Pressing player 2 PUNCH button calls the same sound code.

CRIME FIGHTER: WIRING HARNESS

WIRE COLOR KEY:		← Solder Side	Parts Side →		
BLACK	GND	A	1	GND	BLACK
BLACK	GND	B	2	GND	BLACK
RED	+5V DC	C	3	+5V DC	RED
RED	+5V DC	D	4	+5V DC	RED
	NOT USED	E	5	NOT USED	
ORANGE	+12V DC	F	6	+12V DC	ORANGE
	*KEY	H	7	*KEY	
	(EMPTY)	J	8	COIN COUNTER	GREEN/GRAY
	(EMPTY)	K	9	(EMPTY)	
YELLOW	SPEAKER (-)	L	10	SPEAKER (+)	BLUE
	(EMPTY)	M	11	(EMPTY)	
WHITE/GREEN	VIDEO GREEN	N	12	VIDEO RED	RED/WHITE
WHITE	VIDEO SYNC	P	13	VIDEO BLUE	BLUE/WHITE
	(EMPTY)	R	14	VIDEO GROUND	BLACK
	(EMPTY)	S	15	(EMPTY)	
VIOLET/WHITE	COIN 2	T	16	COIN 1	BLUE/BROWN
	NOT USED	U	17	NOT USED	
BLUE/YELLOW	2P UP	V	18	1P UP	ORANGE/WHITE
VIOLET/YELLOW	2P DOWN	W	19	1P DOWN	BLACK/WHITE
ORANGE/GREEN	2P LEFT	X	20	1P LEFT	RED/GRAY
ORANGE/YELLOW	2P RIGHT	Y	21	1P RIGHT	GRAY/WHITE
BLACK/YELLOW	2P TAG	Z	22	1P TAG	RED/WHITE
ORANGE/GRAY	2P ACTION	a	23	1P ACTION	GREEN/BROWN
	NOT USED	b	24	NOT USED	
	NOT USED	c	25	NOT USED	
	NOT USED	d	26	NOT USED	
BLACK	GND	e	27	GND	BLACK
BLACK	GND	f	28	GND	BLACK

(BASE COLOR/LINE COLOR)

CRIME FIGHTER: SUB HARNESS FOR 3 PLAYERS & 4 PLAYERS

CN3 3P CONTROLS	1	Coin 3	White/Violet
	2	Empty	
	3	3P Left	White/Red
	4	3P Right	White/Yellow
	5	3P Up	White/Black
	6	3P Down	White/Blue
	7	3P Tag	White/Brown
	8	3P Action	White/Orange
	9	Empty	
	10	Empty	
	11	Empty	
	12	Empty	
	13	Empty	
	14	Empty	
	15	Ground	Black

CN4 4P CONTROLS	1	Coin 4	Blue
	2	Empty	
	3	4P Left	Yellow/Black
	4	4P Right	Brown/Black
	5	4P Up	Green/Yellow
	6	4P Down	Yellow/Red
	7	4P Tag	Yellow/White
	8	4P Action	Yellow/Blue
	9	Empty	
	10	Empty	
	11	Empty	
	12	Empty	
	13	Empty	
	14	Empty	
	15	Ground	Black

DIP SWITCH SETTINGS

DIP SWITCH NO. 1 SETTINGS

1. COIN SWITCH NO. 1 SETTINGS

SW	1	2	3	4	COIN	PLAY
○	OFF	OFF	OFF	OFF	1	1
	ON				1	2
	OFF	ON			1	3
	ON				1	4
	OFF	OFF	ON	OFF	1	5
	ON				1	6
	OFF	ON			1	7
	ON				2	1
	OFF	OFF	OFF	ON	2	3
	ON				2	5
	OFF	ON			3	1
	ON				3	2
	OFF	OFF	ON	ON	3	4
	ON				4	1
	OFF	ON			4	3
	ON				VOID	

SW5 thru SW8 are not used.

DIP SWITCH NO. 2 SETTINGS

1. DIFFICULTY OF THE GAME

SW	6	7	DIFFICULTY
○	OFF	OFF	EASY
	ON		NORMAL
	OFF	ON	DIFFICULT
	ON		VERY DIFFICULT

2. SOUND IN ATTRACTIVE MODE

SW	8	SOUND
○	OFF	OFF
	ON	ON

SW1 thru SW5 are not used.

DIP SWITCH NO. 3 SETTINGS

1. VIDEO SCREEN FLIP

SW	1	
○	OFF	NORMAL
	ON	UPSIDE DOWN

2. CHANGE OF MODE

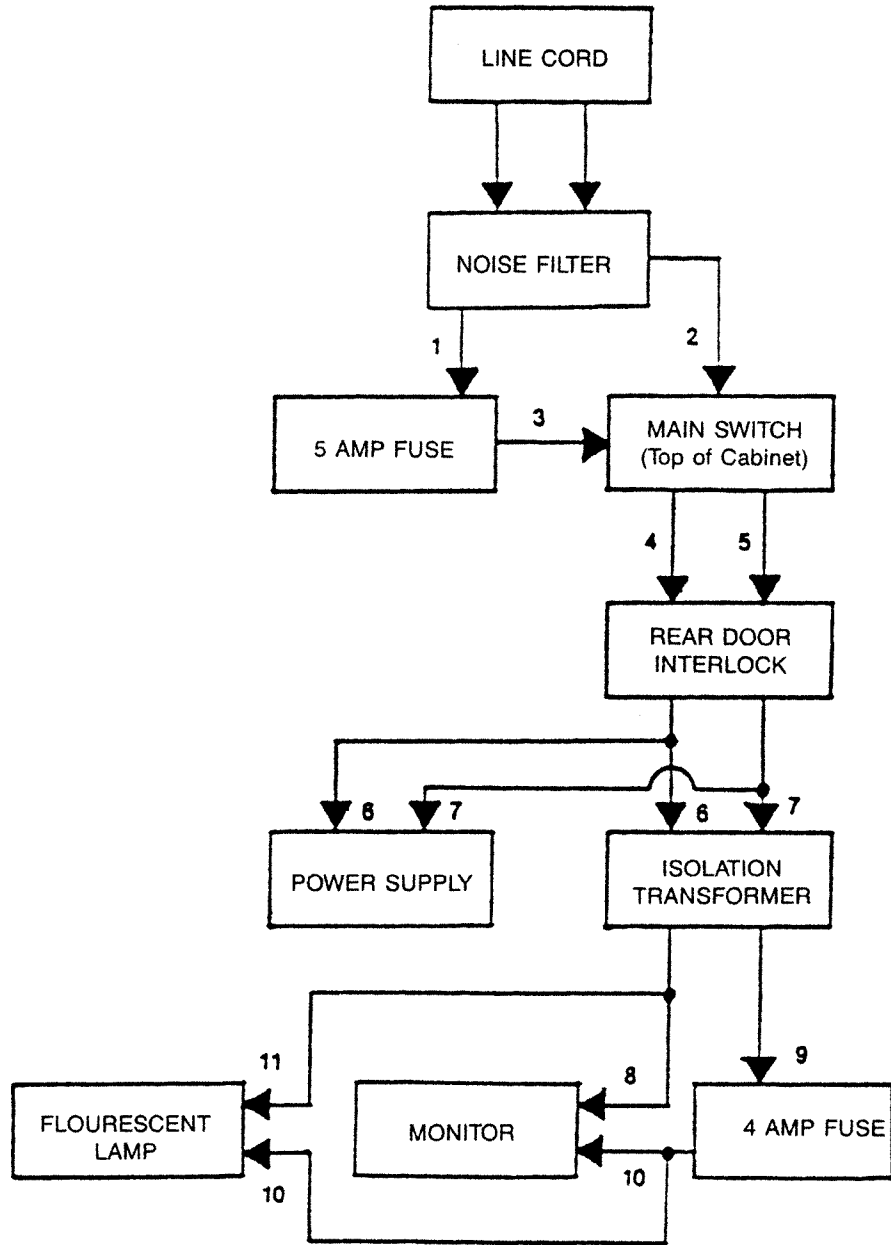
SW	3	MODE
○	OFF	GAME MODE
	ON	TEST MODE

SW2 and SW4 are not used.

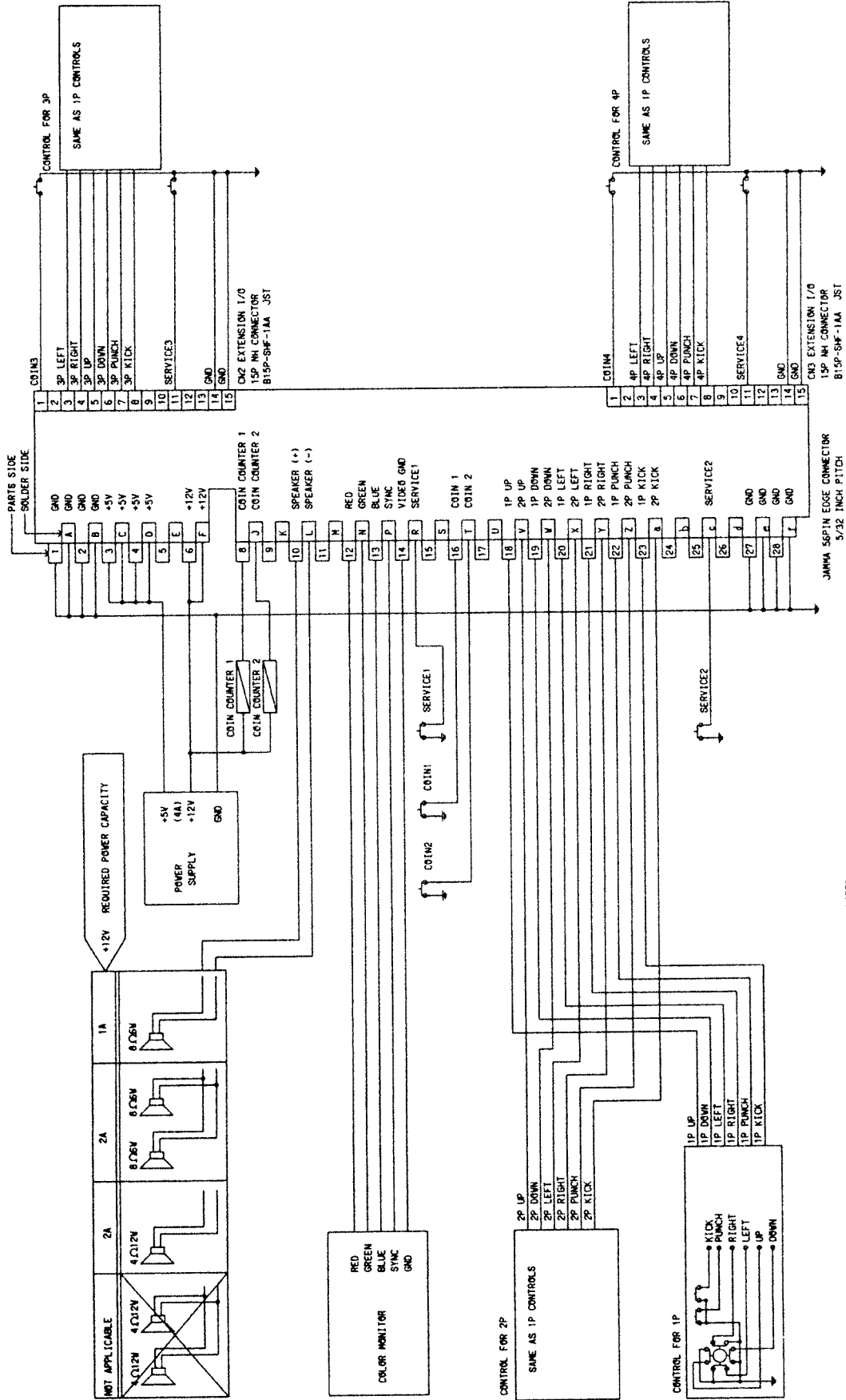
○ shows recommended settings.

CRIME FIGHTER: AC FLOW CHART

1. GREEN/YELLOW
2. BLACK
3. RED
4. BLUE
5. BROWN
6. RED/BLACK
7. BLACK/WHITE
8. WHITE
9. GREEN
10. VIOLET
11. ORANGE

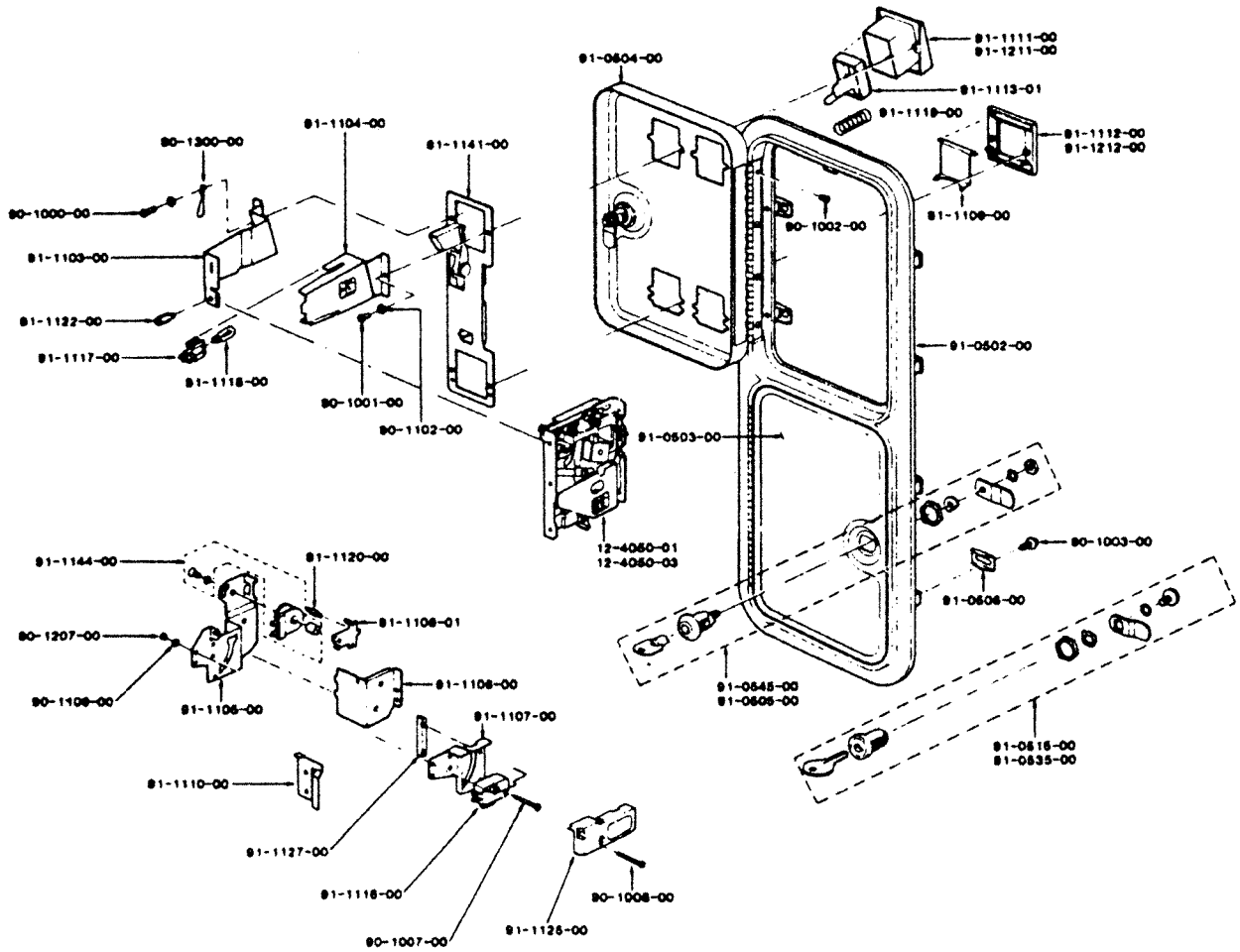


4P VERSION WIRING DIAGRAM



- NOTES -
- 1 1P: NO. 1 PLAYER 2P: NO. 2 PLAYER
 - 3P: NO. 3 PLAYER 4P: NO. 4 PLAYER
 - 2 SURGE KILLED SWITCH FOR COIN COUNTER INSTALLED ON THE P.C.B.

COMPLETE COIN DOOR ASSEMBLY EXPLODED VIEW

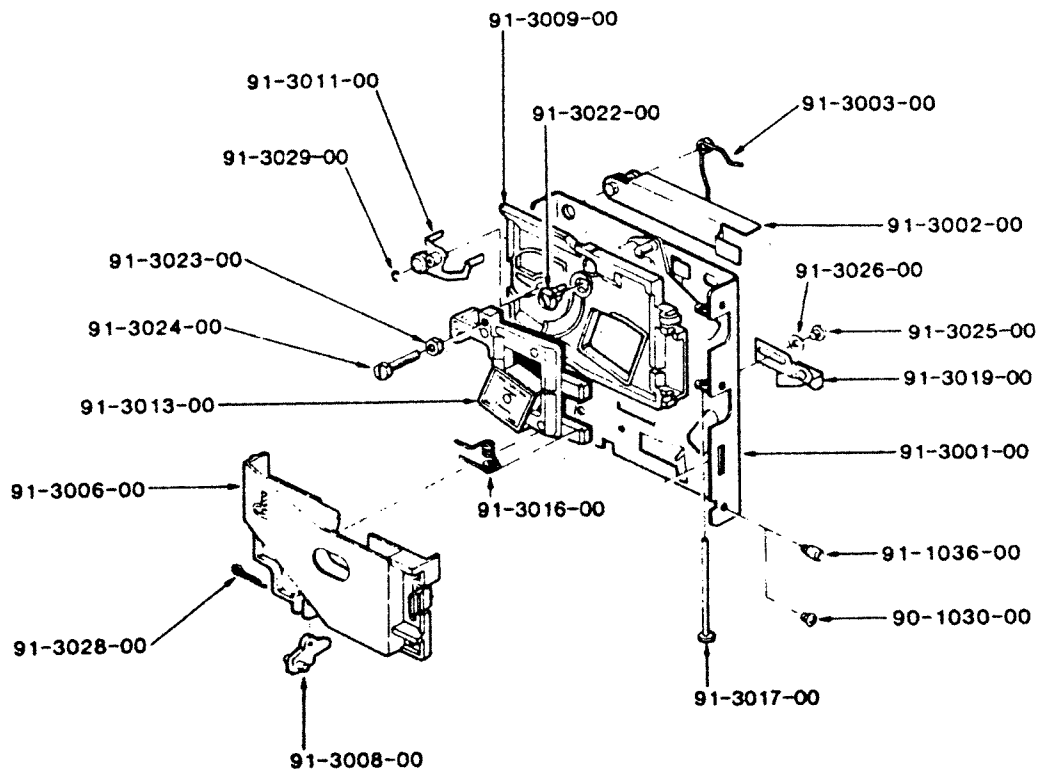


PARTS LIST

12-4050-01	S-10 Acceptor Body U.S. 25*	90-1102-00	Washer for Bezel Screw	91-1103-00	Coin Inlet Lamp Side	91-1119-00	Button Spring
12-4050-03	S-10 Acceptor Body Canadian 25*	90-1207-00	Nut for Microswitch Mounting Screw	91-1104-00	Coin Inlet Cover Side	91-1120-00	Lockout Spring
20-4177-00	Plastic Cash Box	90-1300-00	Keyhook	91-1105-00	Reject Cup Side Plate	91-1122-00	Retaining Screw for Acceptor Body
20-4179-00	Steel Enclosure	91-0502-00	Zinc Die Cast Frame	91-1106-00	Reject Cup Base Plate	91-1125-00	Clear Plastic Cover for Microswitch
22-1400-00	Locking Bar	91-0503-00	Lower Door	91-1107-00	Microswitch Bracket	91-1127-00	Plastic Switch Adjuster
24-1150-00	Wire Harness	91-0504-00	Upper Door	91-1108-01	Lockout Flap U.S. 25*	91-1141-00	Base Plate With Pivot and Stud
90-1000-00	Keyhook Bezel Screw	91-0505-00	Round Lock and Cam Assembly	91-1109-00	Reject Flap	91-1144-00	6 Volt DC Lockout Coil Assembly
90-1001-00	Bezel Screw	91-0506-00	Clamp	91-1110-00	Metal Switch Adjuster	91-1211-00	Zinc Plated Button Bezel
90-1002-00	Hinge Screw	91-0515-00	Flat Lock and Cam Assembly	91-1111-00	Black Button Bezel	91-1212-00	Zinc Plated Reject Bezel
90-1003-00	Clamp Screw	91-0535-00	Flat Lock and Cam Assembly	91-1112-00	Black Reject Bezel		
90-1007-00	Flat Head Microswitch Mounting Screw	91-0545-00	Round Lock and Cam Assembly	91-1113-01	Entry/Reject Button U.S. 25*		
90-1008-00	Panhead Microswitch Mounting Screw			91-1116-00	Microswitch (Black End Arm)		
				91-1117-00	Lampholder		
				91-1118-00	6 V Wedge Base Lamp		

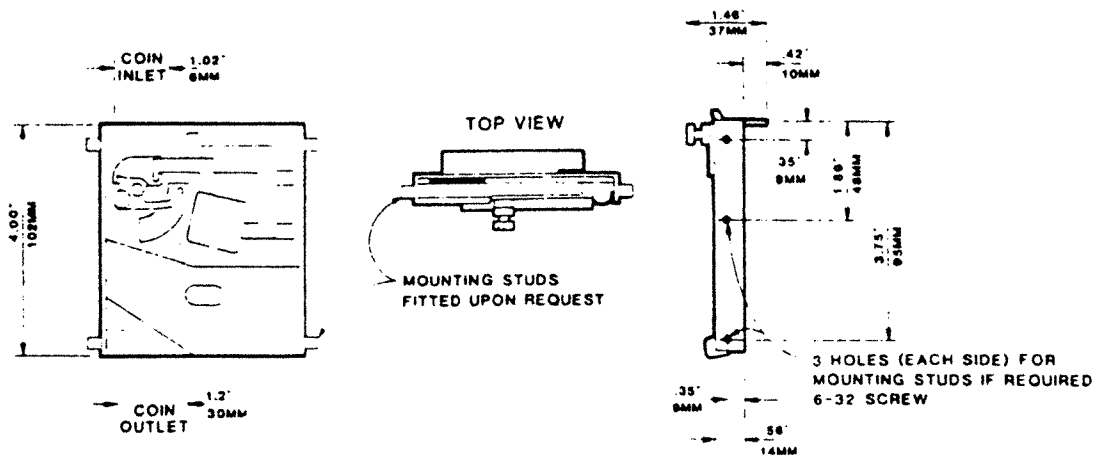
Gold Mech

Engineering Data and Parts List



PARTS LIST

90-1030-00 Retaining Screw (#6-32"x.250")	91-3009-00 Gate	91-3023-00 Locknut-Magnet Holder
91-1036-00 Mounting Stud	91-3011-00 Cradle	91-3024-00 Screw-Magnet Holder
91-3001-00 Back Plate	91-3013-00 Magnet Holder with Magnet	91-3025-00 Screw Separator
91-3002-00 Reject Lever	91-3016-00 Gate Spring	91-3026-00 Washer
91-3003-00 Reject Lever Spring	91-3017-00 Gate Pin	91-3028-00 Cotter Pin for Anti-stringing Device
91-3006-00 Cover Plate	91-3019-00 Separator	91-3029-00 E-Clip for Cradle
91-3008-00 Anti-Stringing Device	91-3022-00 Diameter Adjustment	

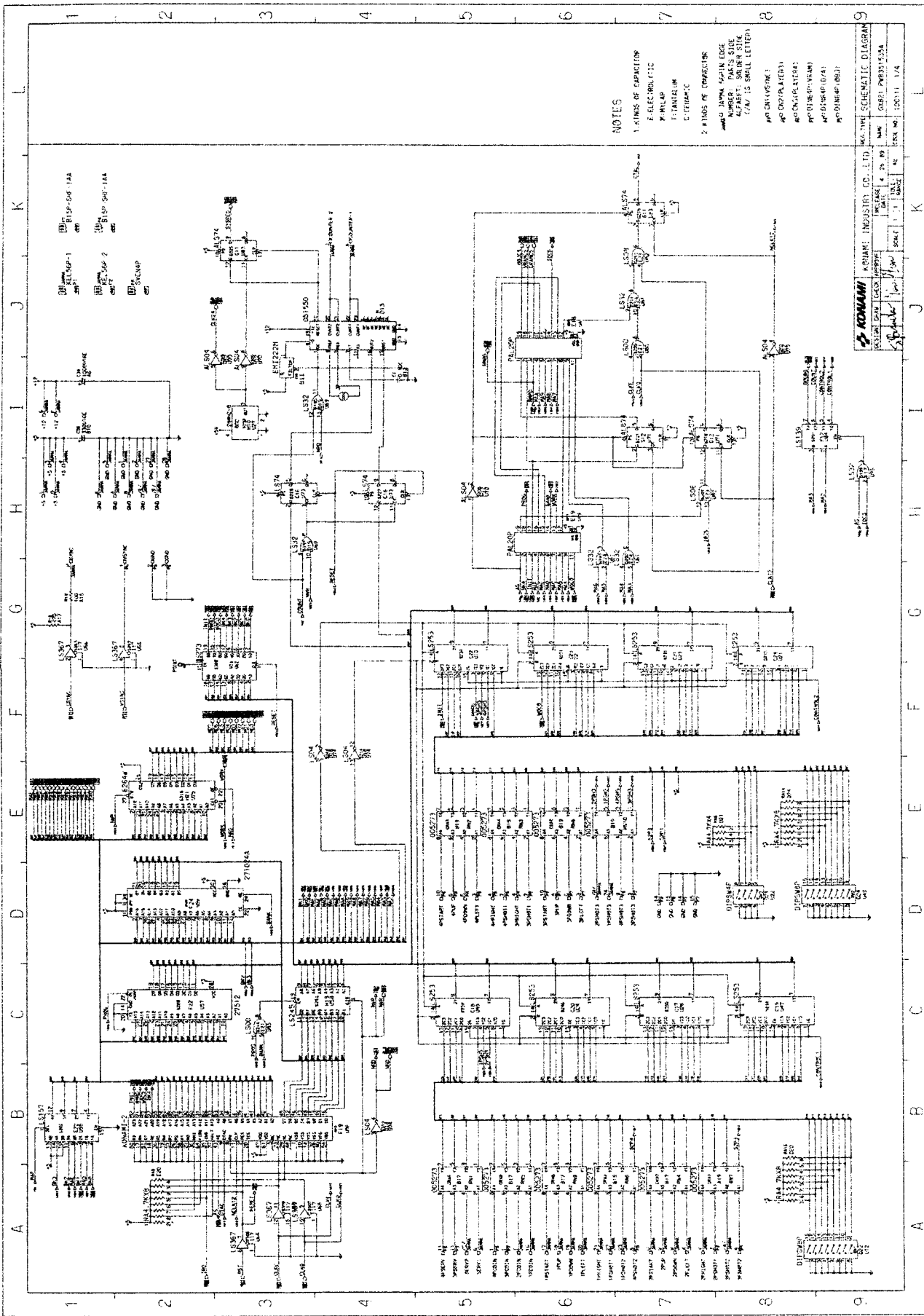


USER INFORMATION
WARNING
F. C. C. REGULATION COMPLIANCE

THIS EQUIPMENT COMPLIES WITH THE REQUIREMENTS IN PART 15 OF FCC RULES FOR A CLASS A COMPUTING DEVICE. OPERATION OF THIS EQUIPMENT IN A RESIDENTIAL AREA MAY CAUSE UNACCEPTABLE INTERFERENCE TO RADIO AND TV RECEPTION REQUIRING THE OPERATOR TO TAKE WHATEVER STEPS ARE NECESSARY TO CORRECT THE INTERFERENCE.



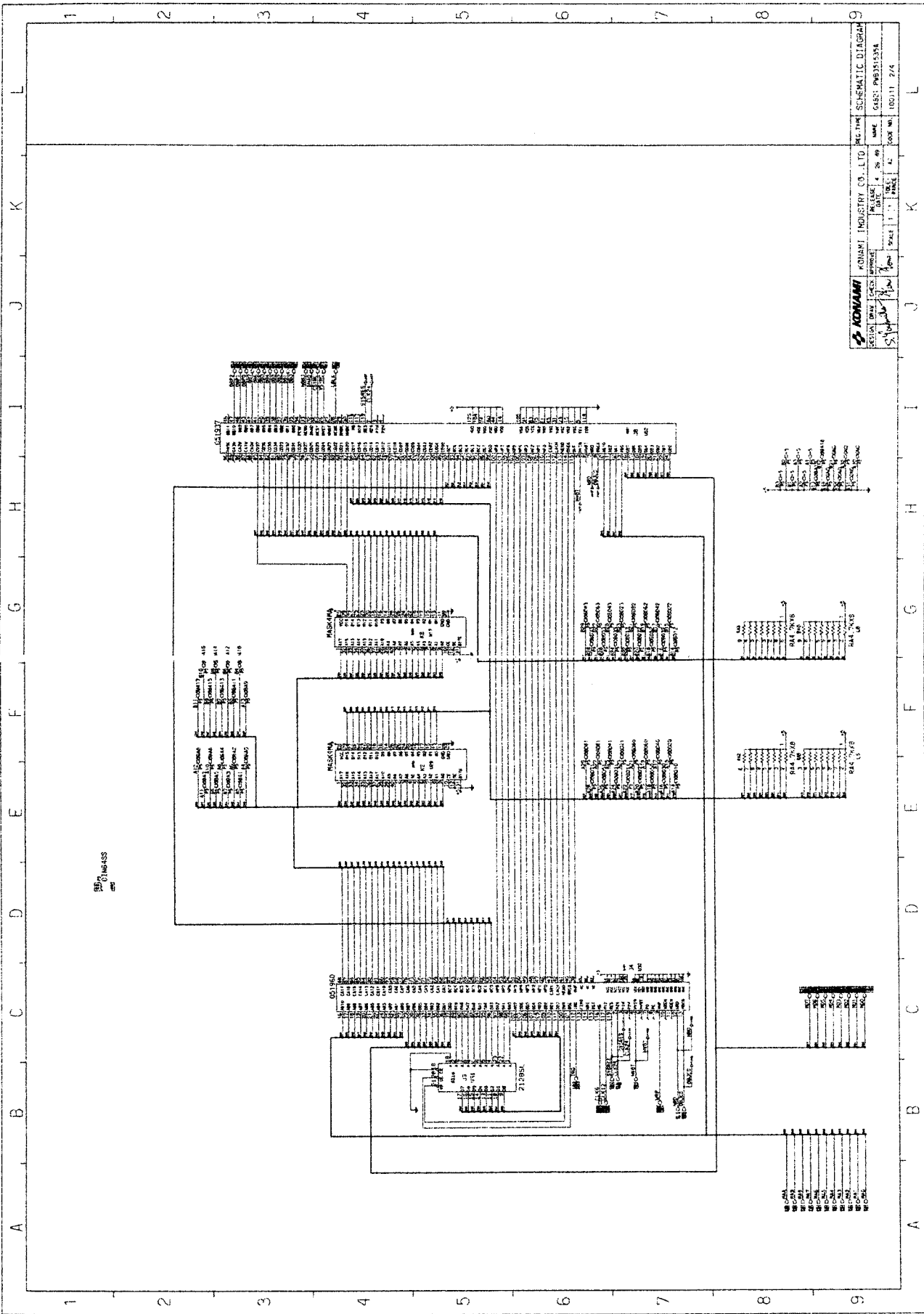
815 Mittel Drive, Wood Dale, Illinois 60191
Telephone: (312) 595-1443, Telex: 6871385 KONAM UW, Fax: (312) 595-2973



NOTES

1. KINDS OF CAPACITOR
 E-ELECTROLYTIC
 P-PAPER
 F-FILM
 C-CERAMIC
2. KINDS OF CONNECTOR
 J-JACK
 S-SOCKET
 P-PIN
 R-RELAY
 B-BUS

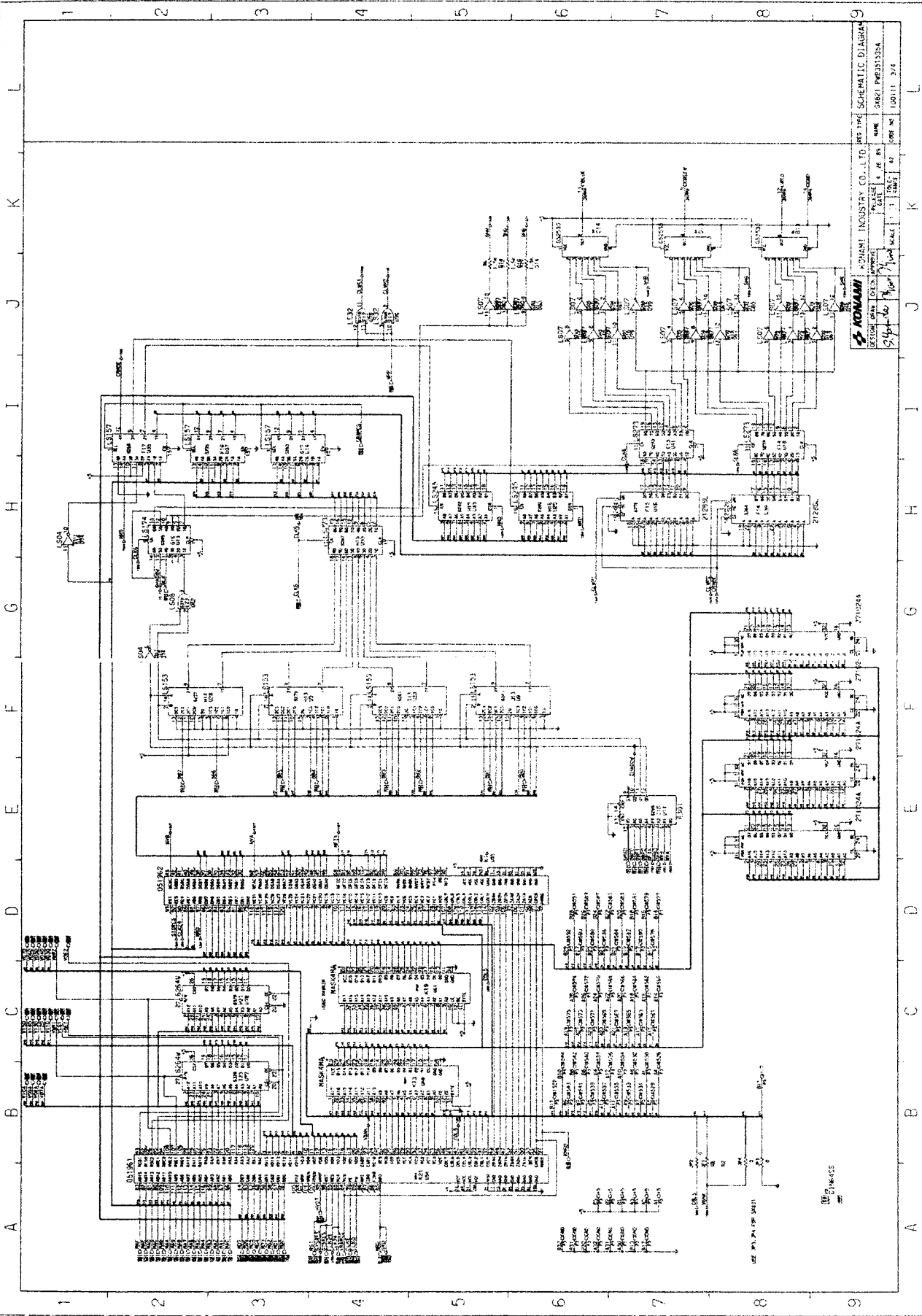
KONAMI KONAMI INDUSTRY CO., LTD.
 DIVISION NAME: GAME DIVISION
 DRAWING NO.: 150-001-01A
 SCALE: 1:1
 DATE: 1982.08.10
 DESIGNED BY: M. NISHIKAWA
 CHECKED BY: M. NISHIKAWA
 APPROVED BY: M. NISHIKAWA
 TITLE: SCHEMATIC DIAGRAM



01hes55

KONAMI KONAMI INDUSTRY CO., LTD. REGIME SCHEMATIC DIAGRAM

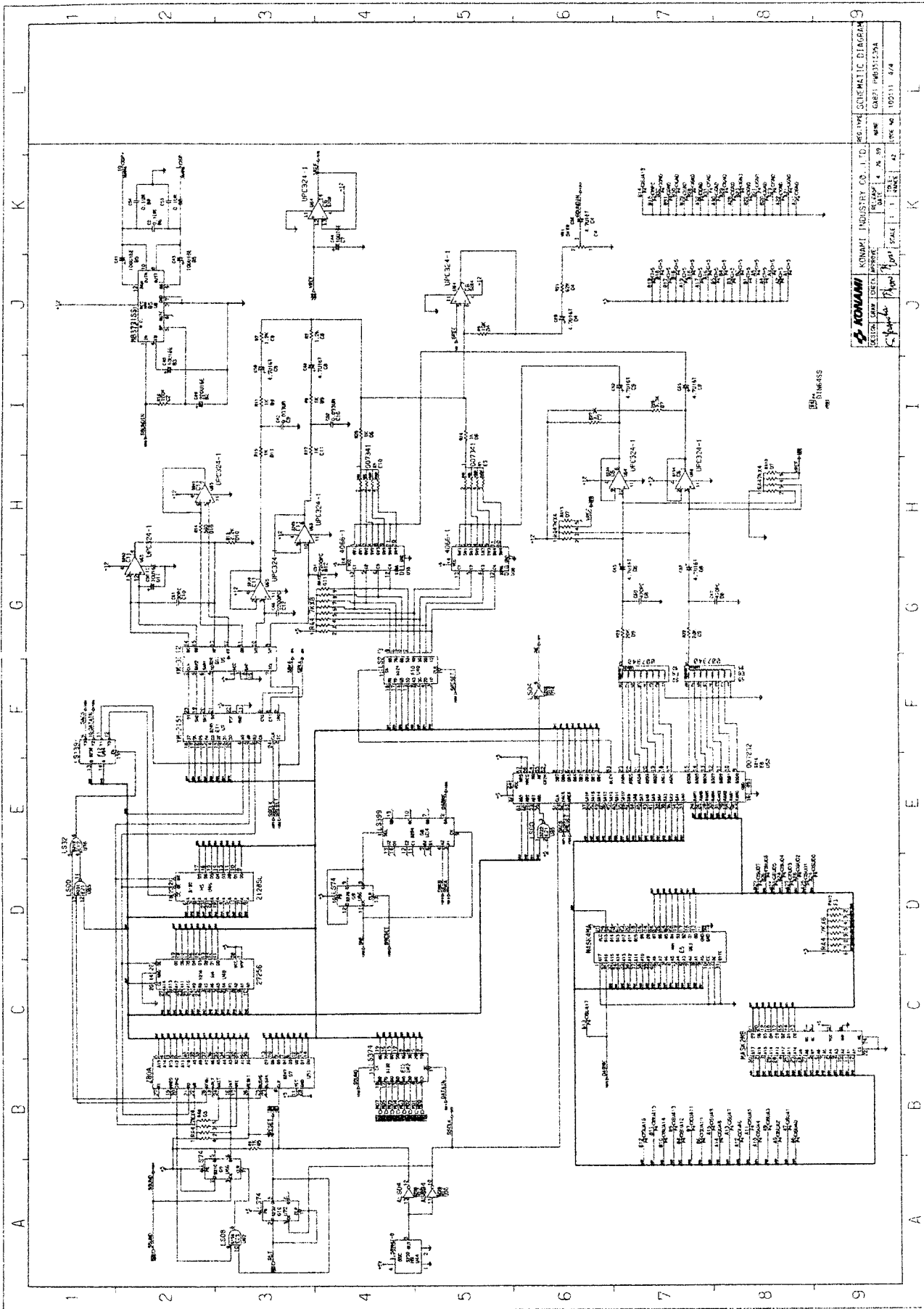
MODEL	DATE	NO.	NAME
REGIME	1988.06	4	REGIME
SCALE	1:1		
FILE	1:1		
DATE	1988.06		
NO.	4		
NAME	REGIME		
DATE	1988.06		
NO.	4		
NAME	REGIME		
DATE	1988.06		
NO.	4		
NAME	REGIME		



KONAMI		KONAMI INDUSTRY CO., LTD.		SHEMATIC DIAGRAM	
NO.	DATE	REV.	BY	CHK.	DATE
1	1971.12.24	1	Y. H. S.	Y. H. S.	1972.01.04
PROJECT		NAME		JOB NO.	
No. 100111		PHE151324		100111 3/4	

- 1. 200111 100111
- 2. 200111 100111
- 3. 200111 100111
- 4. 200111 100111
- 5. 200111 100111
- 6. 200111 100111
- 7. 200111 100111
- 8. 200111 100111
- 9. 200111 100111
- 10. 200111 100111
- 11. 200111 100111
- 12. 200111 100111
- 13. 200111 100111
- 14. 200111 100111
- 15. 200111 100111
- 16. 200111 100111
- 17. 200111 100111
- 18. 200111 100111
- 19. 200111 100111
- 20. 200111 100111

REV. 1/1972



2N6555
MOSFET

MS5894
MS5892

UPE224-1
UPE224-2
UPE224-3
UPE224-4

212250
212256

L537
L535