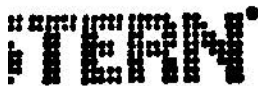




# INSTALLATION & OPERATION



**ELECTRONICS, INC.**

700 Chase Avenue  
Elk Grove Village, IL 60007  
312/961-9600

The object of the game is to get all three bases burning at once, and keep them burning.

When the game first starts you will see two fighters and trak laying jeeps appearing from a bunker below you. Destroy fighters and jeeps from above by using the laser button (which destroys everything below it). The trak-laying jeeps are trying to build a loop of trak so the laser train (which destroys everything above it), has maximum mobility.

When the laser train appears, a protective fighter appears with it. You must destroy this fighter with your laser from above, before dropping down to the lower level to battle with the laser train. After destroying all the jeeps and the laser train on a loop you can then attack the bunker on that loop and set it on fire.

To move back and forth between levels you must go up or down the transport tube.

Occasionally fighters will come up the transport tube to the upper level to attack you if you stay on the upper level too long without dropping down to the lower level. Also, two enemy guns located in the cliffs of the upper level start to shoot if you stay on the upper level too long.

Randomly the volcano will start to erupt and start to cover the screen in blue. You must shoot the volcano with your missiles to stop the eruption. (You must be on the upper level to shoot the volcano). If the eruption covers the screen, you will be destroyed.

When attackers are below you, use the laser button to destroy them. When attackers are on the same level as your ship, use the missile button to destroy them.

Laser train has no defenses on lower level, but will destroy everything above it.

Each loop is worth 24,200 points each.

Each loop contains:

- 12 - jeeps worth 100 points each.
  - 3 - fighters worth 1,000 points each.
  - 1 - laser train worth 10,000 points each.
  - 1 - bunker worth 10,000 points each.
- 50,000 point bonus if you have all three bunkers on fire at the same time.

**MIRROR MAINTENANCE**

**REFER TO ILLUSTRATIONS FOR MIRROR  
IDENTIFICATION**

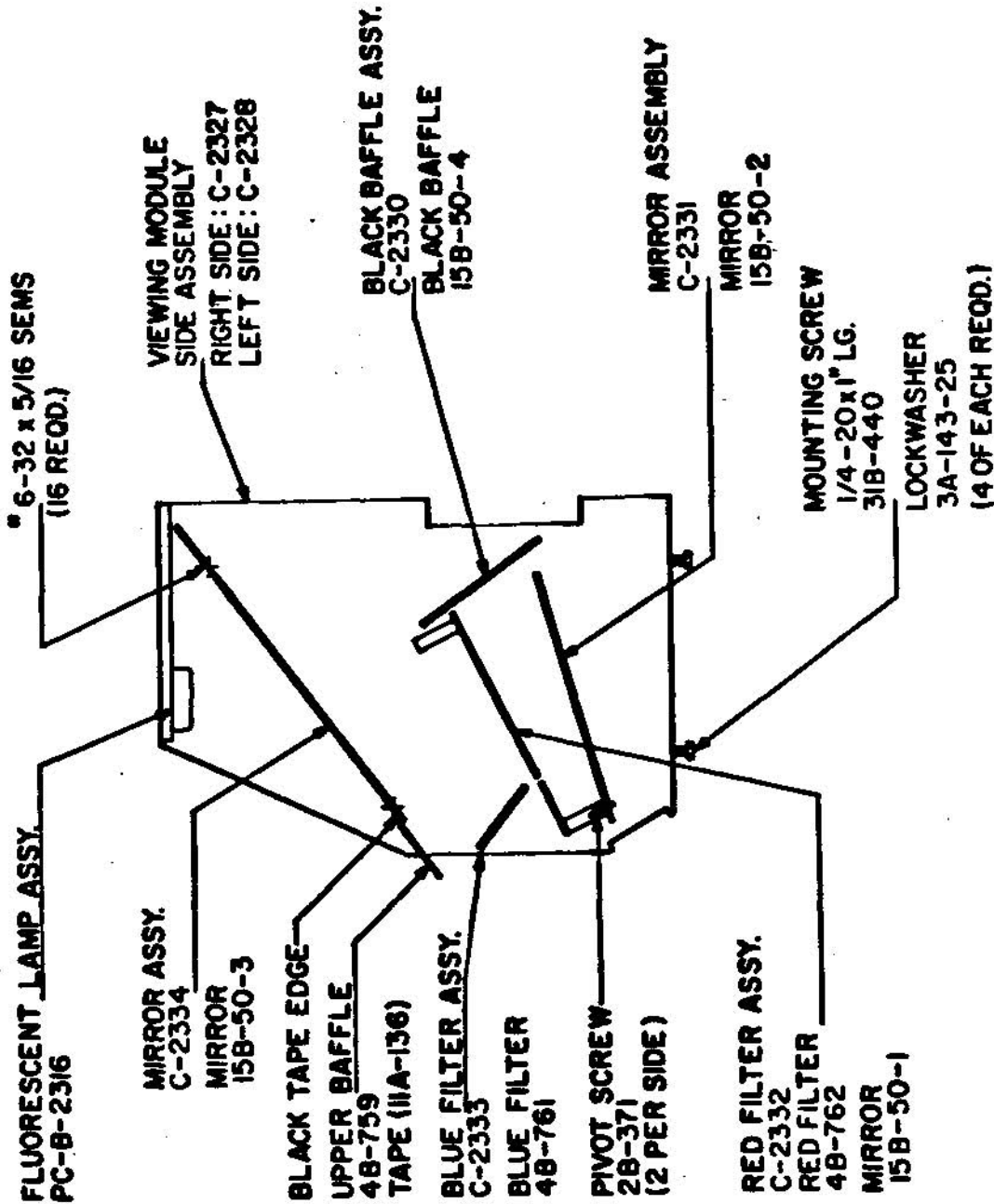
Mirror and color filters should be dusted periodically to prevent dust and dirt build-up on the mirrors and filters, which will affect their performance.

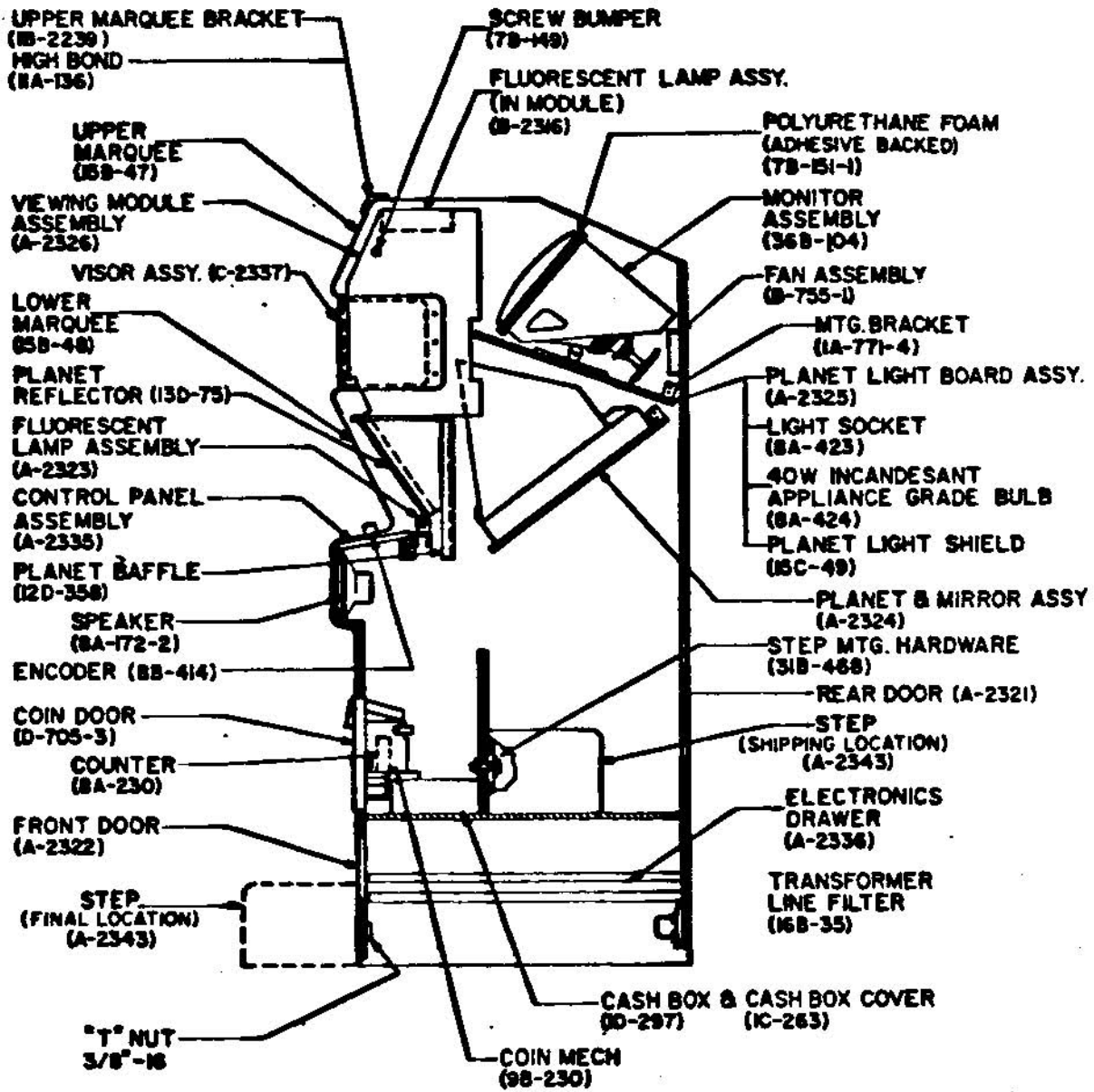
A soft cotton rag or a camel hair brush should be used to dust the mirrors and filters periodically.

If a mirror or filter needs cleaning, only a silicon based cleaner with a spray head, such as STERN ELECTRONICS MIRROR CLEANER (part #26A-36) should be used. No alkaline, acidic, or ammonia type cleaners (such as Windex (TM) or Fantastic (TM)) should be used. Only a soft cheesecloth or cotton rag should be used to clean the mirrors or filters.

**CAUTION:** At no time should anything abrasive be used on the mirrors or color filters.

**VIEWING MODULE**





# IMPORTANT:

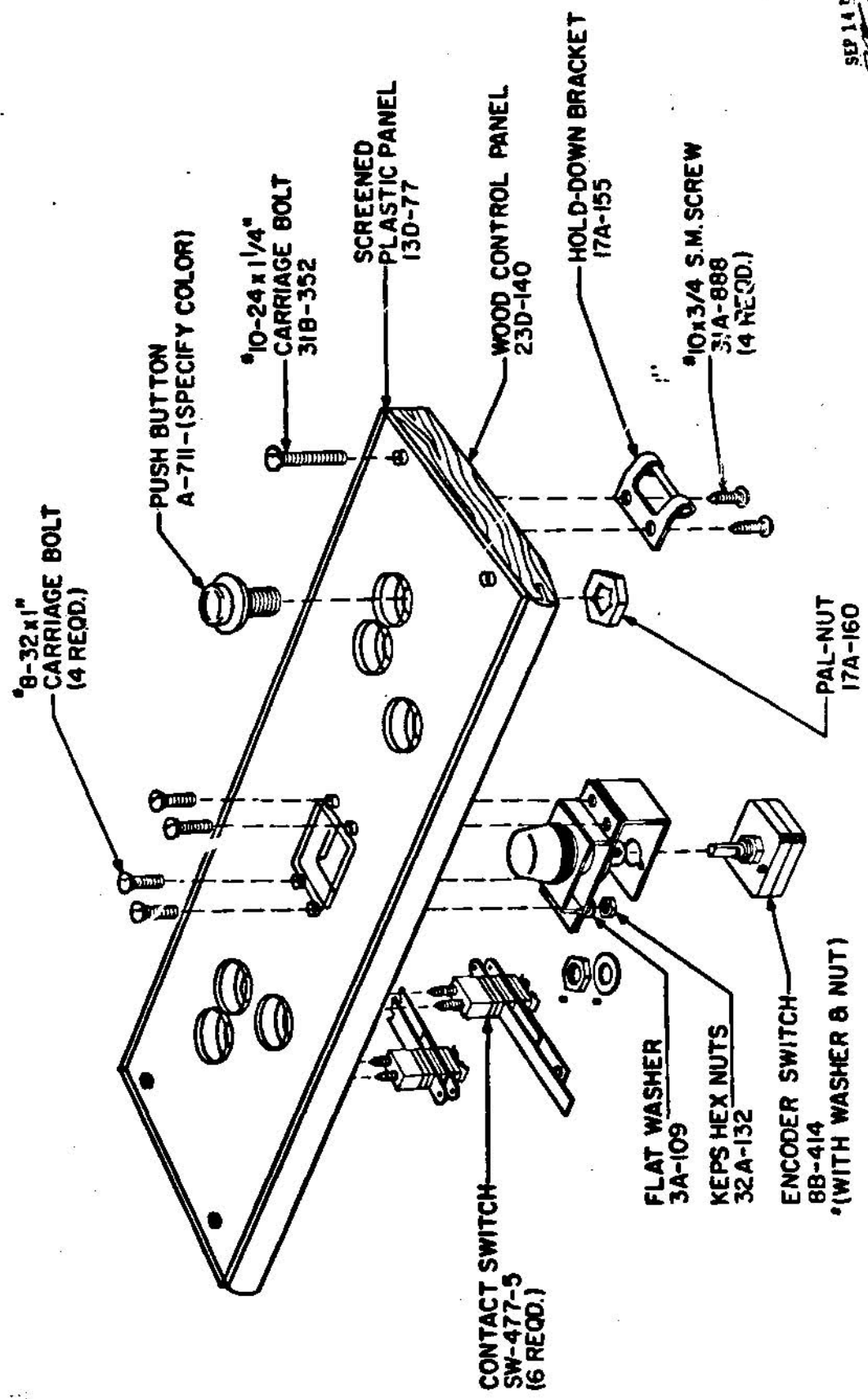
REPLACE WITH 40 WATT  
APPLIANCE BULBS ONLY.  
(GE® 40A15-22)  
(SYLVANIA® 40A15)

CLEAN YELLOW GLASS  
PERIODICALLY.

MIRRORS IN OPTICS  
MODULE ARE 1ST SURFACE,  
I.E. HAVE COATINGS ON THE  
SURFACE OF THE GLASS.  
CLEAN WITH A SOFT COTTON  
RAG AND DON'T SCRATCH.

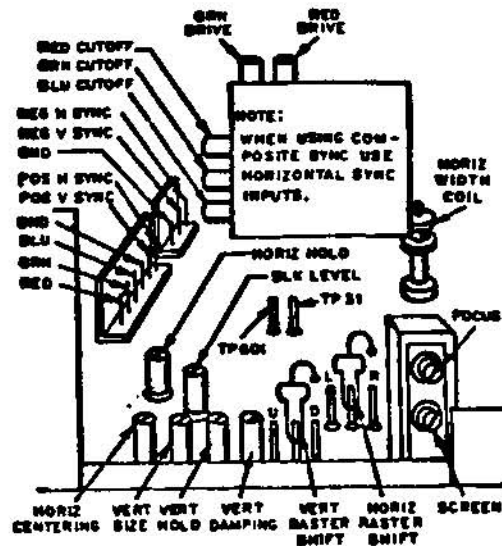
NOTE: USE ONLY A DRY RAG,  
(NO GLASS CLEANER) FOR  
THE LARGE MONITOR MIRROR.

SEP 14 1962



# COLOR MONITOR SETUP INSTRUCTIONS

69X1179-100



K4901  
K4902  
K4906  
K4911  
K4951

K4952  
K4956  
K4956R  
K4961

## 1. HORIZONTAL FREQUENCY

With the monitor being driven from the game signal, connect a jumper between TP601 and TP31. Adjust the horizontal hold control until picture stops sliding horizontally, remove jumper. Do not use the horizontal hold control for horizontal centering. (See #3) NOTE: When game sync is composite, use horizontal sync input.

## 2. PICTURE SIZE

Adjust the vertical size control, and the horizontal width coil for desired picture size.

## 3. PICTURE CENTERING

If the video is off center vertically, move the vert raster position adjustment to the up or down position. If the video is off center horizontally, adjust the horizontal video position control to center the picture. If any additional horizontal positioning is required, move horizontal raster position adjustment to the left or right position.

## 4. VERTICAL DAMPING

Adjustment of this control is required only if the monitor is being used with a game in which the top several raster lines are visible on the screen. Adjust the vertical damping control for uniform spacing of the top raster lines.

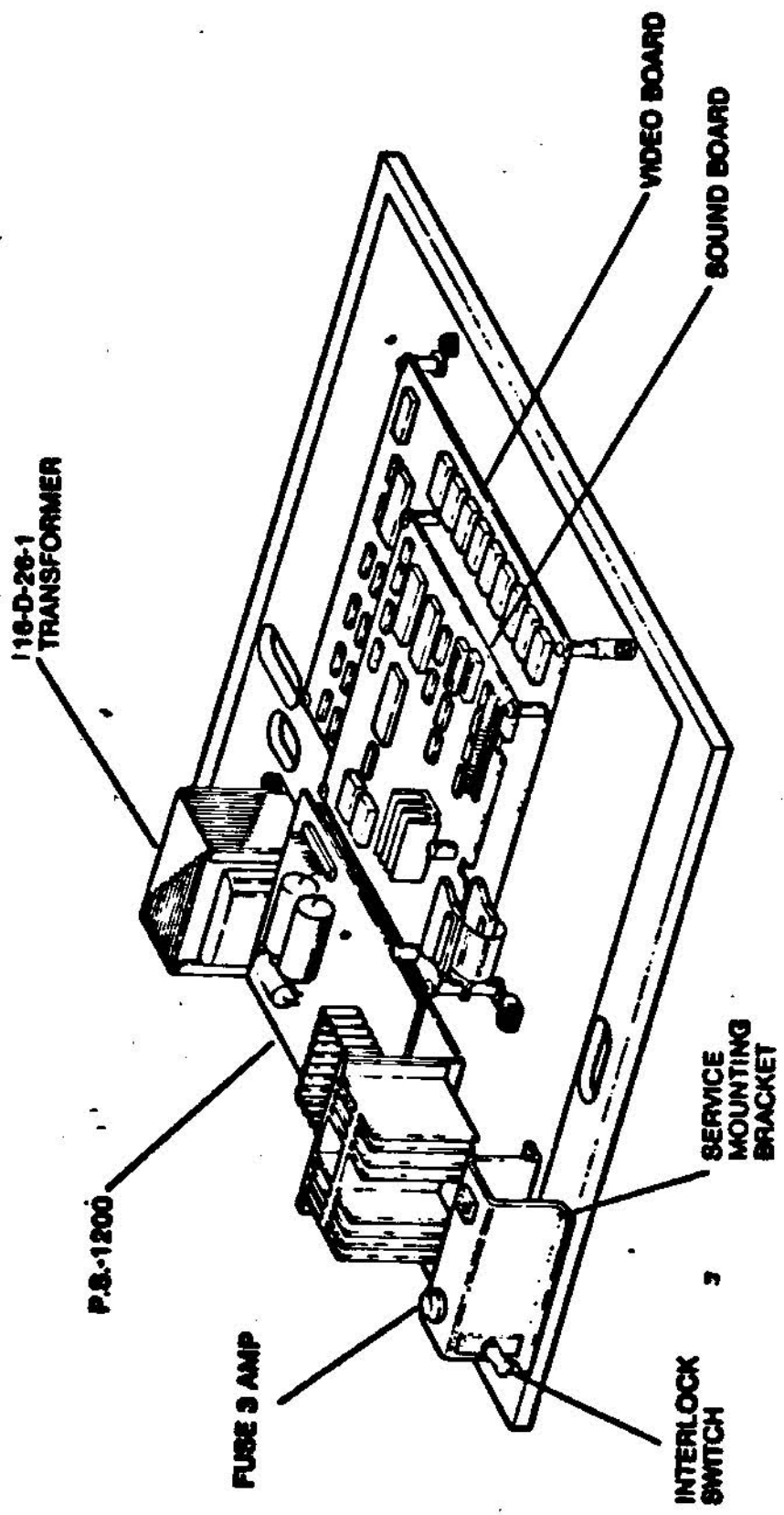
## 5. BLACK LEVEL

Adjust the black level control to obtain the proper black level (the black portion of the picture just extinguished). Do not use the screen control to set the black level.

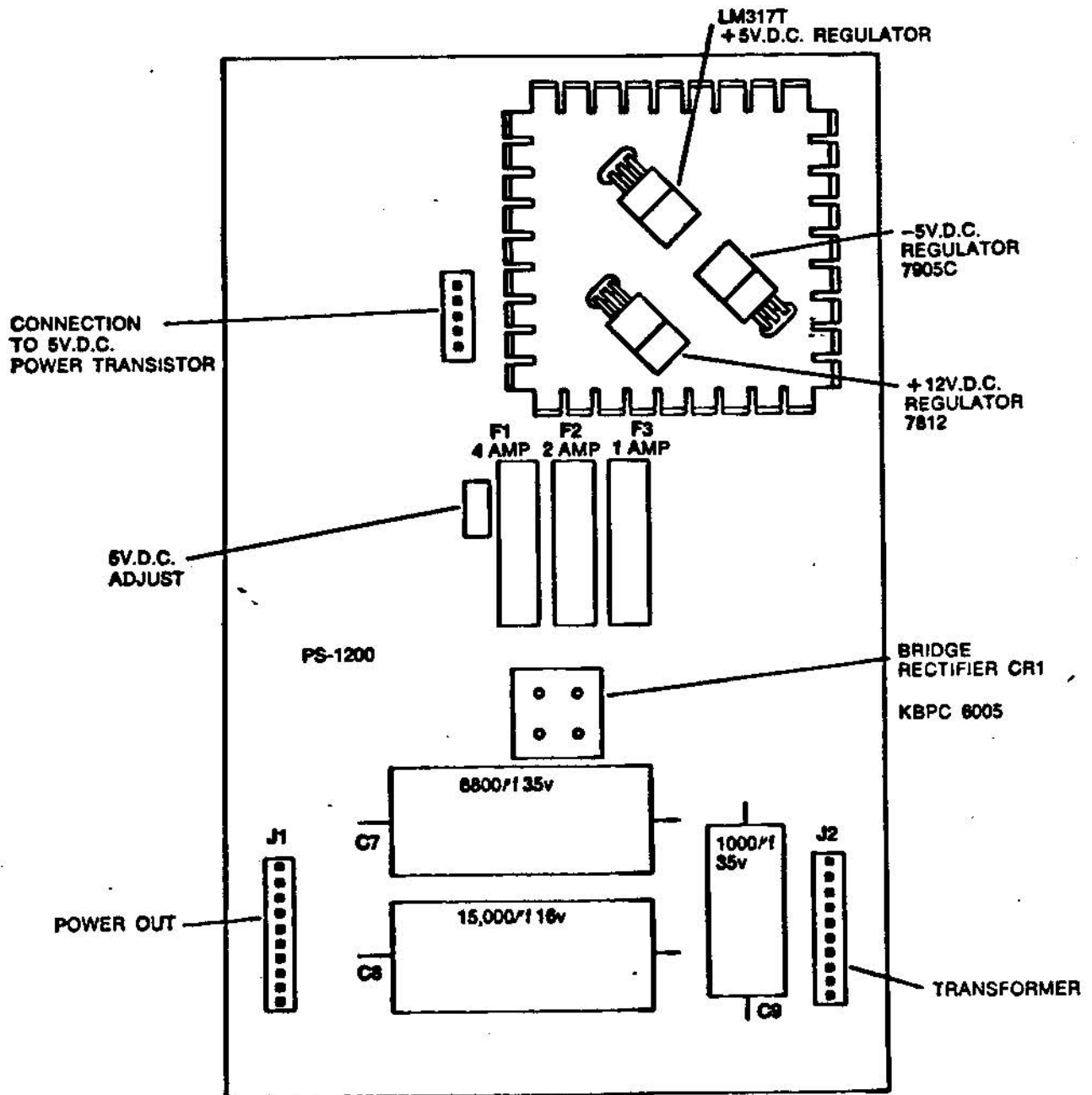
## 6. FOCUS

Adjust the focus control for best overall definition and fine picture detail.

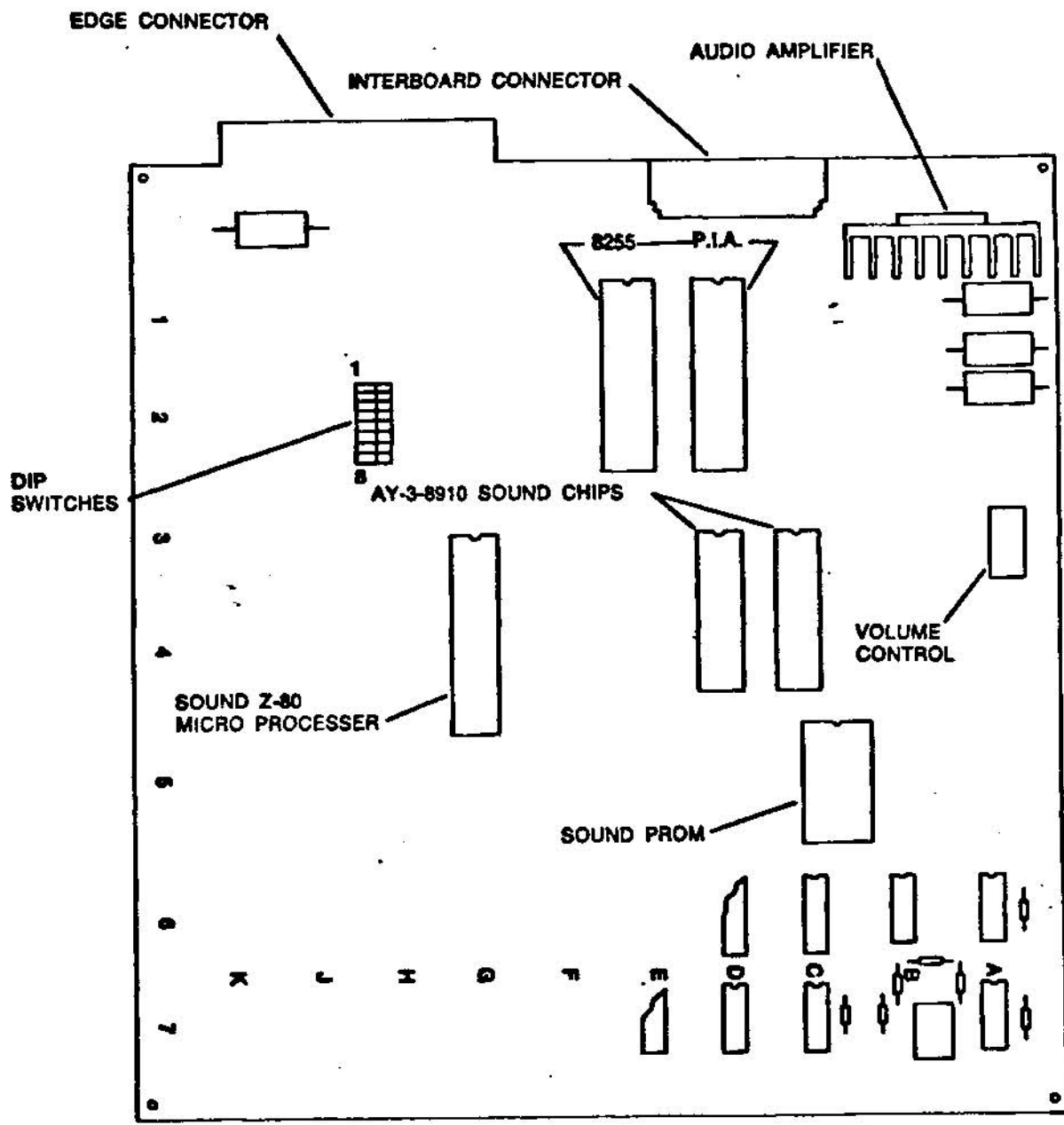




COMPONENT BOARD



**FIGURE 4. POWER SUPPLY BOARD PS-1200**



EDGE CONNECTOR

INTERBOARD CONNECTOR

AUDIO AMPLIFIER

DIP SWITCHES

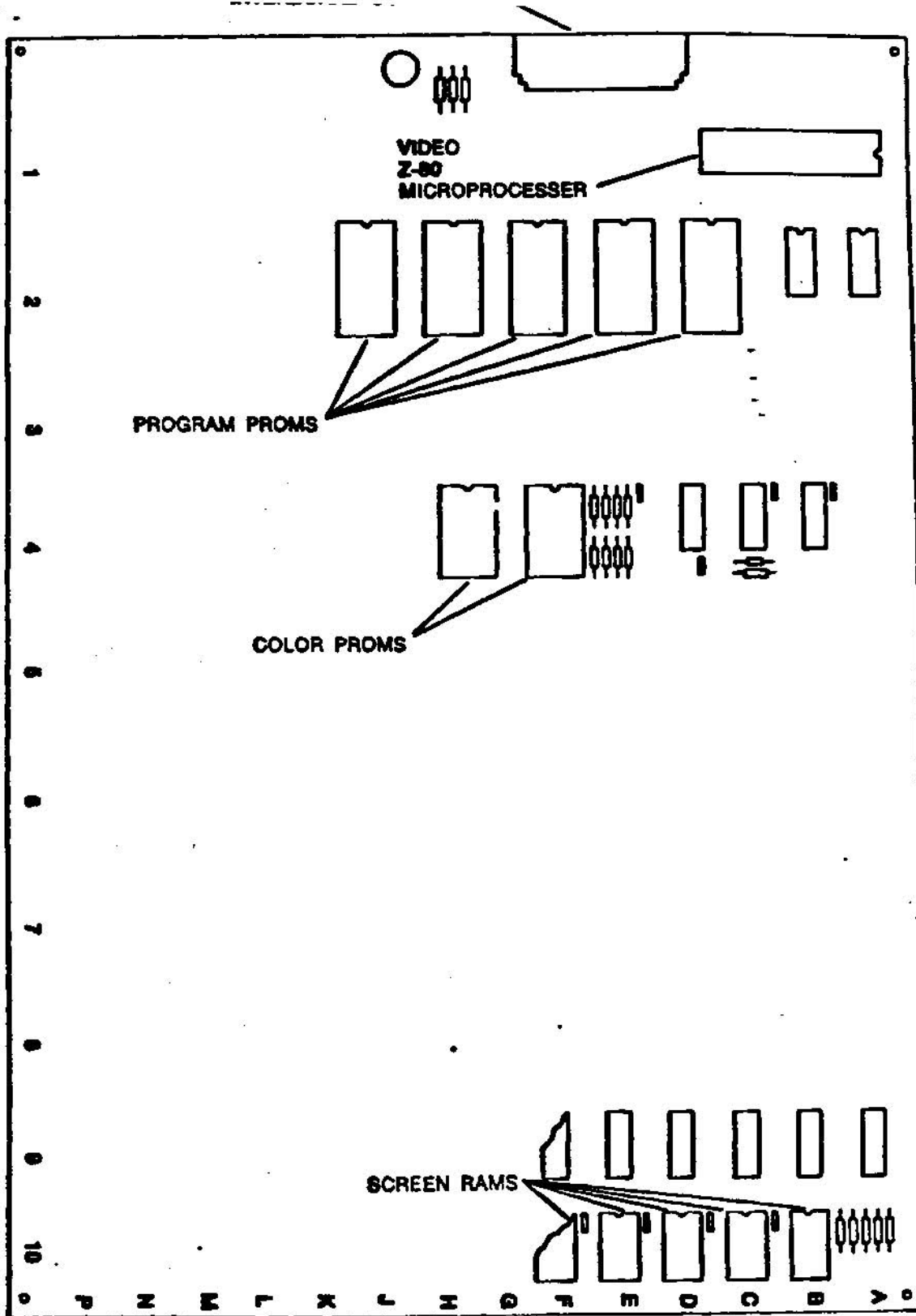
AY-3-8910 SOUND CHIPS

SOUND Z-80 MICRO PROCESSER

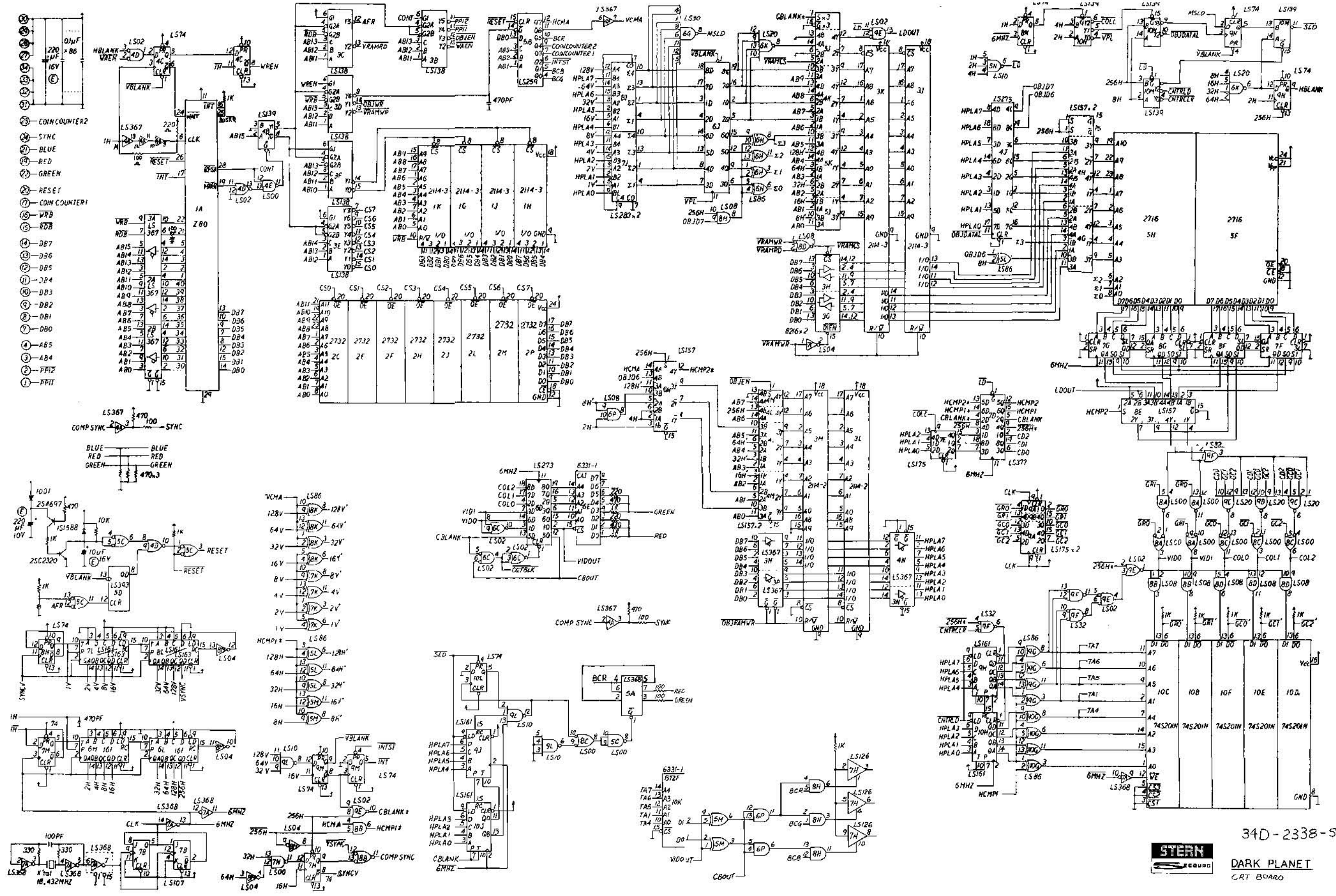
VOLUME CONTROL

SOUND PROM

K J H G F E D C B A



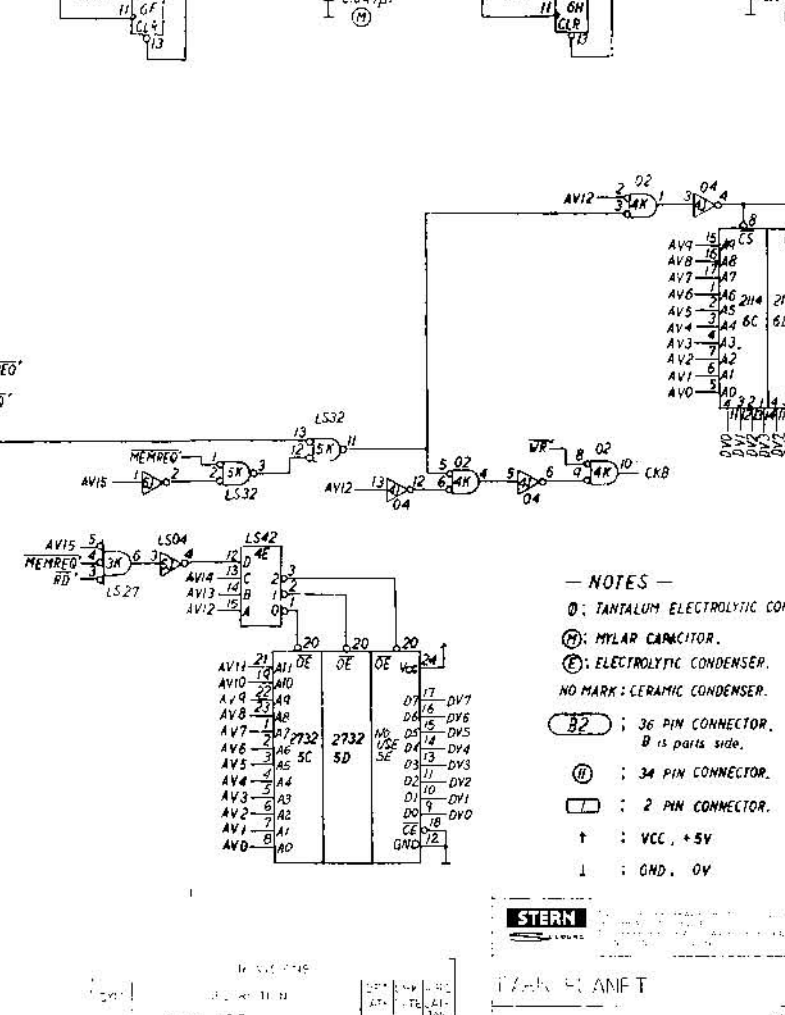
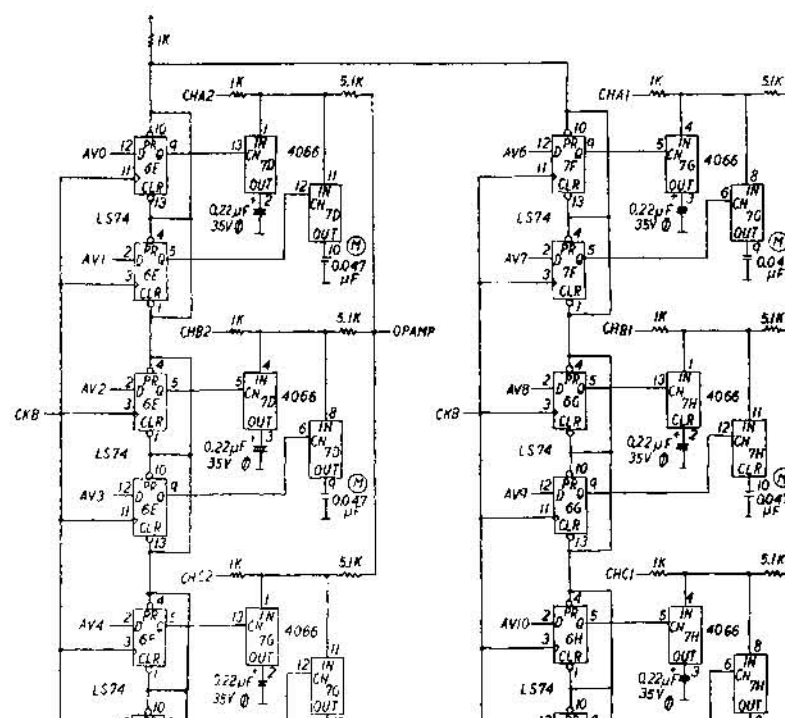
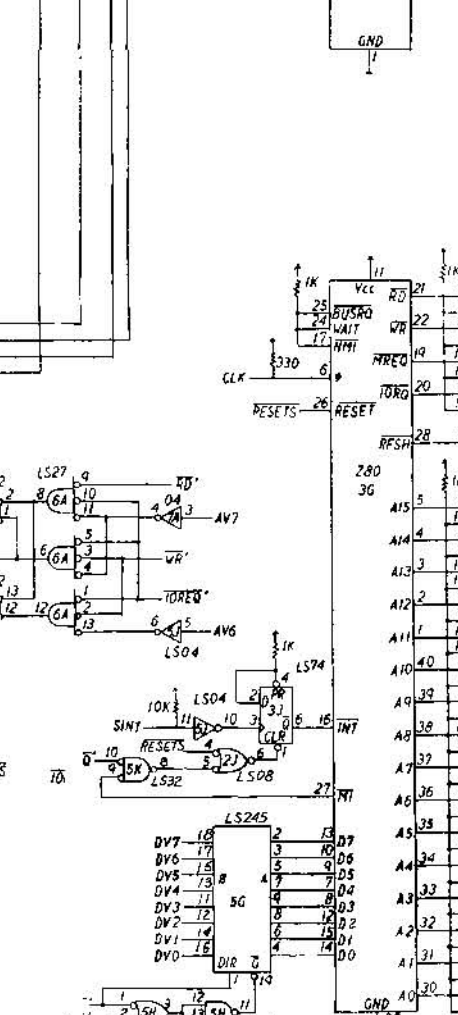
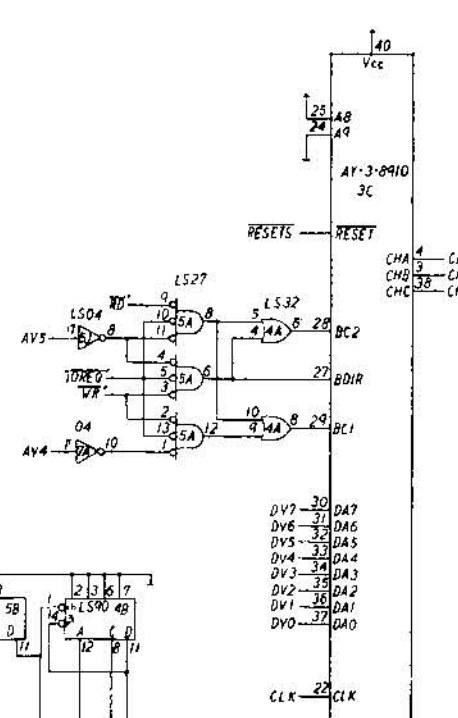
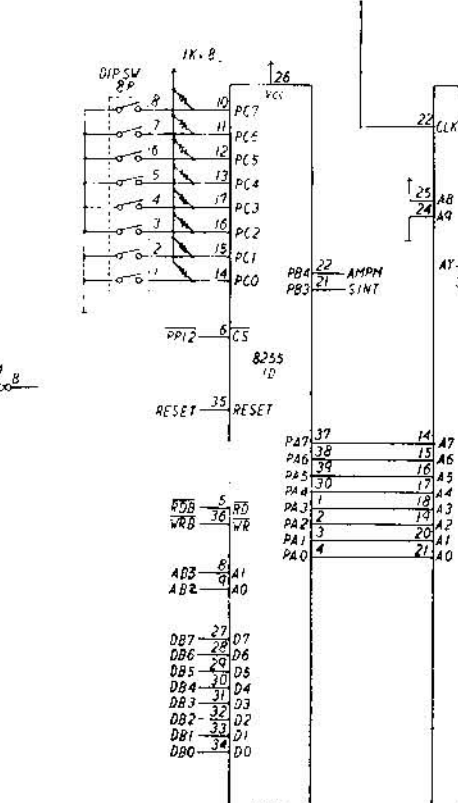
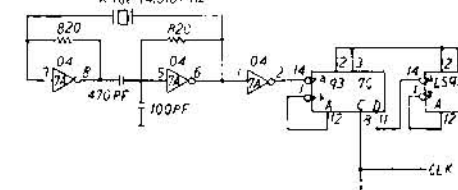
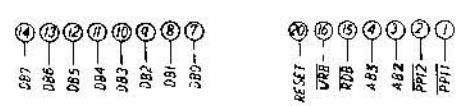
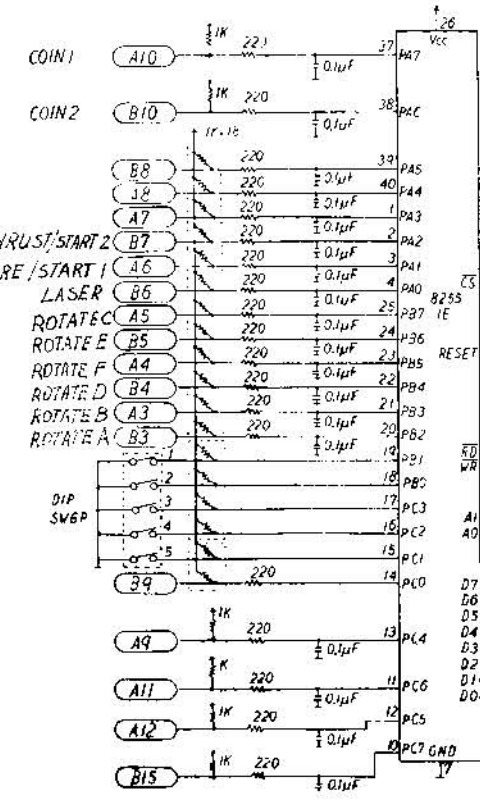
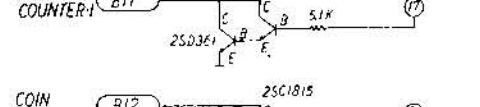
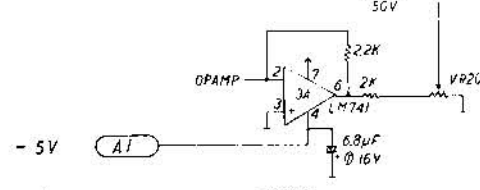
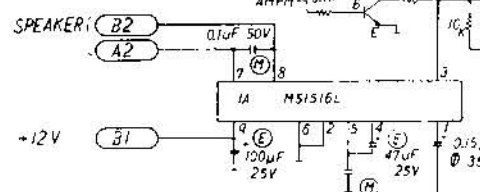
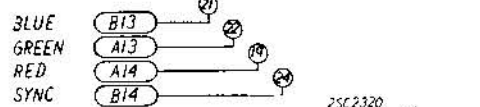
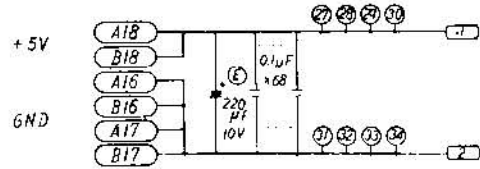
**FIGURE 7. VIDEO BOARD**



34D-2338-S



DARK PLANET CRT BOARD



- NOTES
- ⊖: TANTALUM ELECTROLYTIC CONDENSER.
  - Ⓜ: MYLAR CAPACITOR.
  - Ⓢ: ELECTROLYTIC CONDENSER.
  - NO MARK: CERAMIC CONDENSER.
  - Ⓟ: 36 PIN CONNECTOR. B is parts side.
  - Ⓢ: 34 PIN CONNECTOR.
  - Ⓛ: 2 PIN CONNECTOR.
  - †: VCC, +5V
  - Ⓛ: GND, 0V