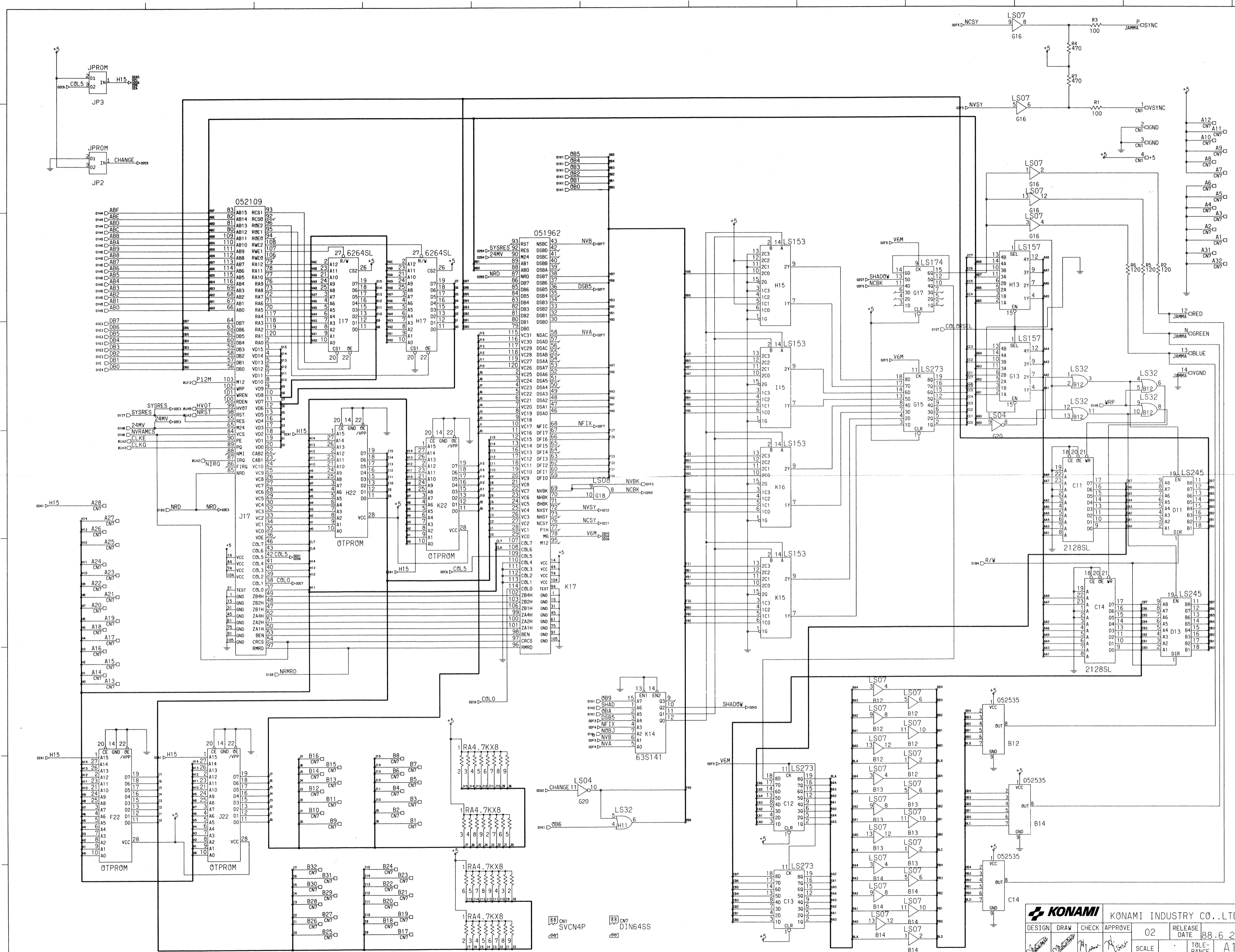


NOTE

+5 : VCC(+5V)
 +12 : VCC(+12V)
 GND : GND
 JAMMA : JAMMA EDGE 56P
 PIN NO. ALPHABET: SOLDER SIDE
 NUMBER: PARTS SIDE
 /A/: SMALL LETTER
 CNT : 4P SV CONNECTOR
 CN2 : 6P VH CONNECTOR
 CN3 : 15P NH CONNECTOR
 CN4 : 15P NH CONNECTOR
 CN5 : 64P DIN CONNECTOR
 CN6 : 64P DIN CONNECTOR
 CN7 : 64P DIN CONNECTOR
 CN8 : 64P DIN CONNECTOR

KINDS OF CAPACITOR

T : TANTALUM
 M : MYLAR
 E : ELECTROLYTIC
 C : CERAMIC

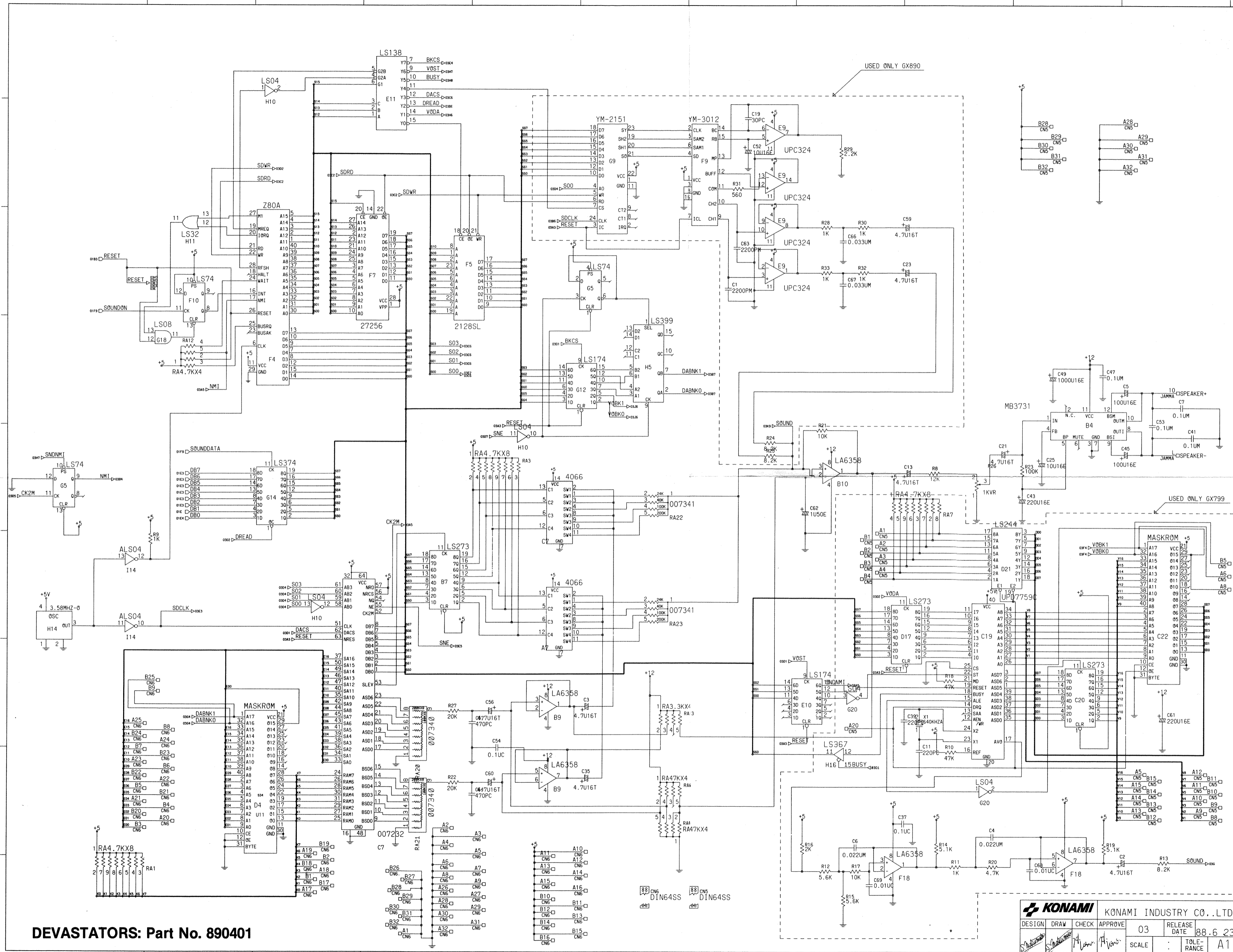


NOTE

- *5 : VCC(+5V)
- *12 : VCC(+12V)
- ⊥ : GND
- JAMMA □ : JAMMA EDGE 56P PIN NO.
- ALPHABET: SOLDER SIDE
- NUMBER: PARTS SIDE
- /A/: SMALL LETTER
- CNT □ : 4P SV CONNECTOR
- CNT2 □ : 6P VH CONNECTOR
- CNT3 □ : 15P NH CONNECTOR
- CNT4 □ : 15P NH CONNECTOR
- CNT5 □ : 64P DIN CONNECTOR
- CNT6 □ : 64P DIN CONNECTOR
- CNT7 □ : 64P DIN CONNECTOR
- CNT8 □ : 64P DIN CONNECTOR

KINDS OF CAPACITOR
 T : TANTALUM
 M : MYLAR
 E : ELECTROLYTIC
 C : CERAMIC

KONAMI				KONAMI INDUSTRY CO., LTD.		REG. TYPE	SCHEMATIC DIAGRAM
DESIGN	DRAW	CHECK	APPROVE	02	RELEASE DATE	88.6.23	NAME
					SCALE	TOLE-RANCE	A1
						CODE NO.	100098 2/3



NOTE

- ⊕5 : VCC(+5V)
- +12 : VCC(+12V)
- ⊕ : GND
- JAMMA ⊕ : JAMMA EDGE 56P
- PIN NO.
- ALPHABET: SOLDER SIDE
- NUMBER: PARTS SIDE
- /A/: SMALL LETTER
- CK1 ⊕ : 4P SV CONNECTOR
- CK2 ⊕ : 6P VH CONNECTOR
- CK3 ⊕ : 15P NH CONNECTOR
- CK4 ⊕ : 15P NH CONNECTOR
- CK5 ⊕ : 64P DIN CONNECTOR
- CK6 ⊕ : 64P DIN CONNECTOR
- CK7 ⊕ : 64P DIN CONNECTOR
- CK8 ⊕ : 64P DIN CONNECTOR

KINDS OF CAPACITOR

- T : TANTALUM
- M : MYLAR
- E : ELECTROLYTIC
- C : CERAMIC

DEVASTATORS: Part No. 890401

KONAMI				KONAMI INDUSTRY CO., LTD.		REG. TYPE	SCHEMATIC DIAGRAM	
DESIGN	DRAW	CHECK	APPROVE	03	RELEASE DATE	88.6.23	NAME	GX799/GX890
					SCALE	TOLE-RANCE	A1	CODE NO. 100098 3/3