



Available! MUSIC ARENA KIT

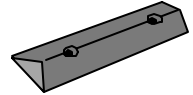
1



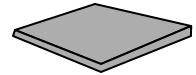
2



3



4



W = 27" (686 mm)
 H = 82 3/4" (2102 mm)
 D = 28" (715 mm)
 Weight = 259 lb (118 kg)

No	Main Components	QTY
1	Music Arena top cabinet unit	1
2	CD Spin Unit w/Motor	1
3	CD Un-Jamming Wood	1
4	Sponge, Prize Payout	1
	Hardware bags (Harness, screws)	1 set
	CD Manual, Installation Manual	1 set

INSIDE VIEW

CD DISPLAY DOOR

SPEAKER (LEFT)

SPEAKER (RIGHT)

CD PLAYER

AMPLIFIER



PARTS LIST (Music Arena KIT)

No	PARTS NAME	QTY
1	Music Arena top cabinet unit	1
2	CD Spin Unit	1
3	CD Un-jamming Wood	1
4	Display Mask	1
5	Key	2
	Hardware bag	
1	Sponge, Prize Payout	1
2	Motor, CD spin unit w/harness	1
3	Jumper Connector for Ballast	1
4	Handle w/screws	1
5	Motor Jumper Harness	1
6	AC Jumper Harness (A)	1
7	AC jumper Harness (B)	1
8	Screws	1
9	Hex Wrench	
10	Manual, CD player (TEAC)	1
11	Template for CD spin Motor	1
12	Music Arena, Operator Manual	1
13	CD spin unit mounting drawing	1
14	CD set up drawing for display door	1
15	KIT installation sheet (GP made)	1
16	Chute guide rail wood mounting template	1



MUSIC ARENA KIT INSTALLATION MANUAL

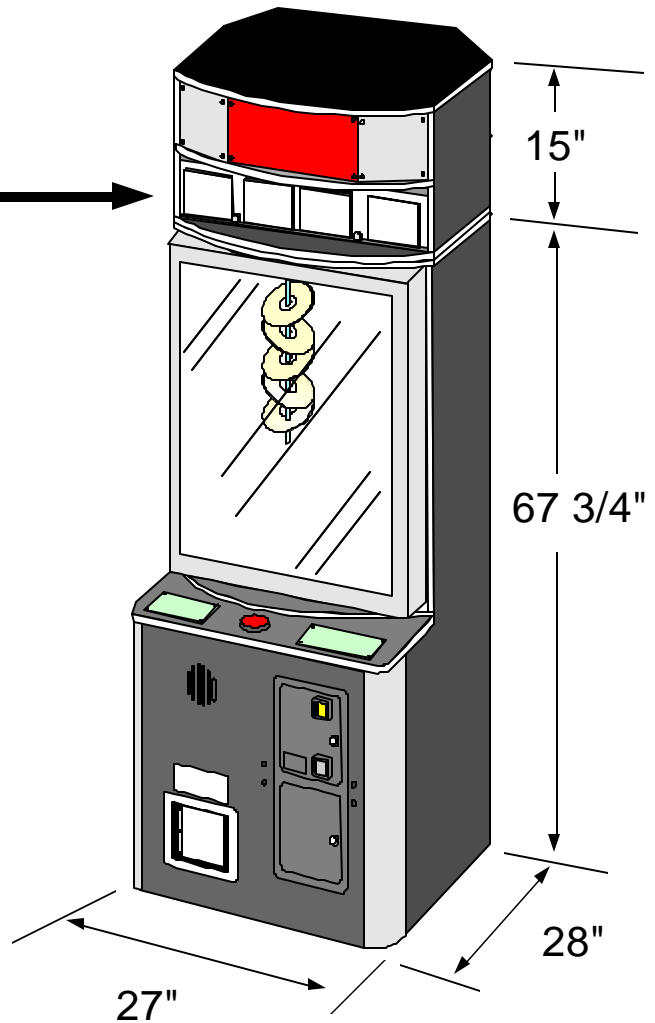
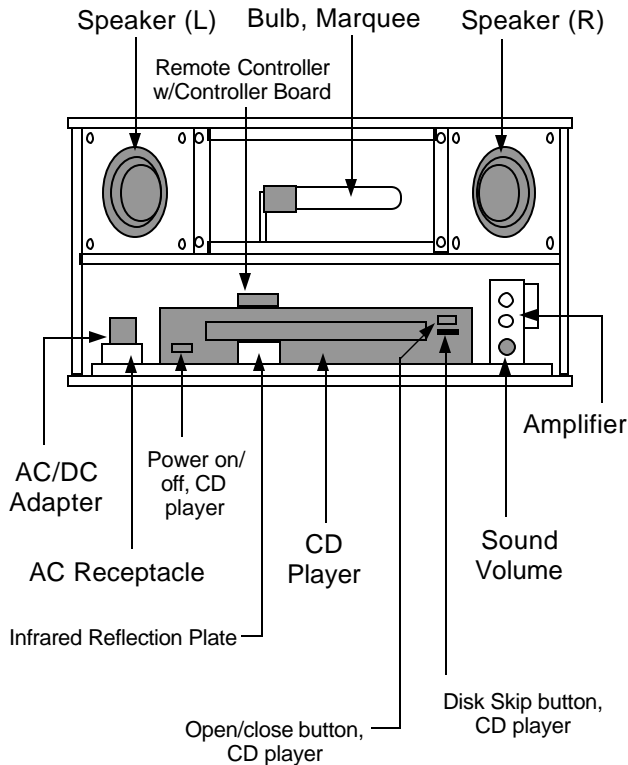
Contents

- 1 Cabinet Dimensions, Parts Descriptions
- 2 Set up CDs in CD Player
- 3 Set up the CD Cases in Display door
- 4 Set up Prizes (CDs)
- 5 Wiring Diagram (Top Unit)

1 Cabinet Dimensions, Parts Descriptions

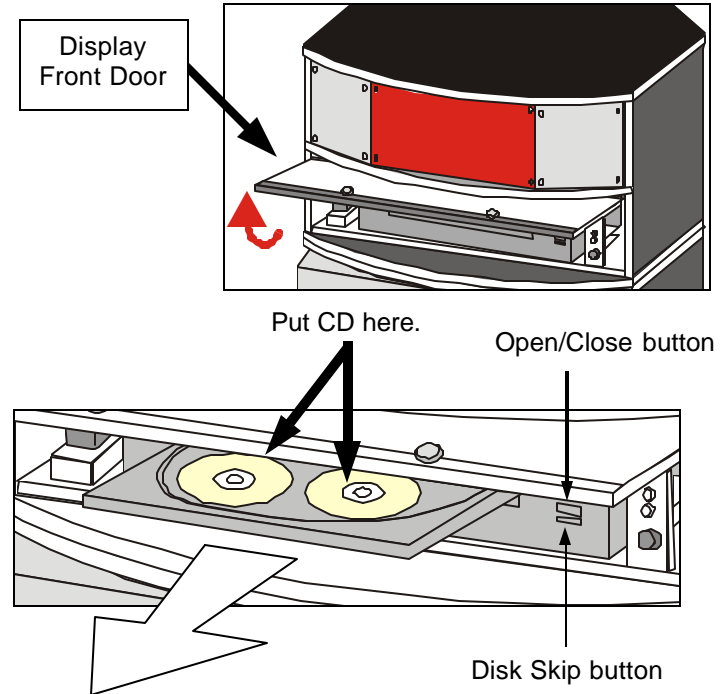
W = 27" (686 mm)
 H = 82 3/4" (2102 mm)
 D = 28" (715 mm)
 Weight = 259 lb (118 kg)

Parts Descriptions



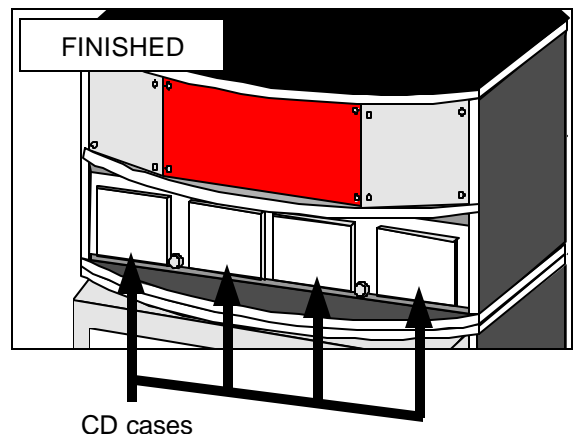
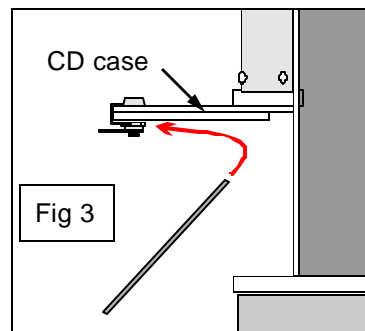
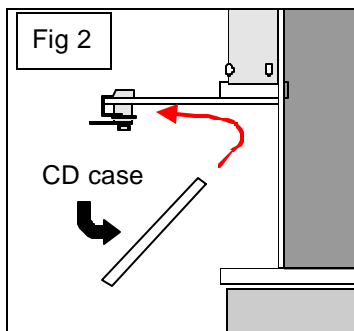
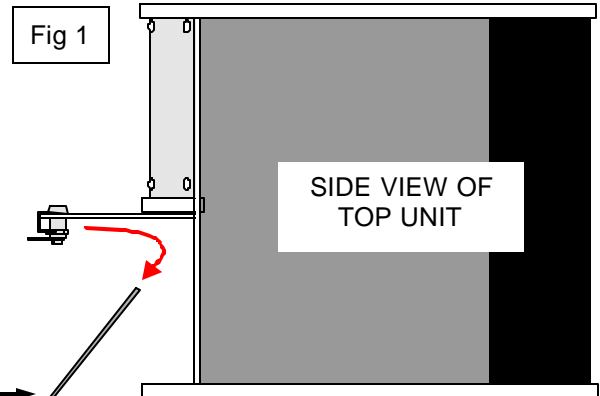
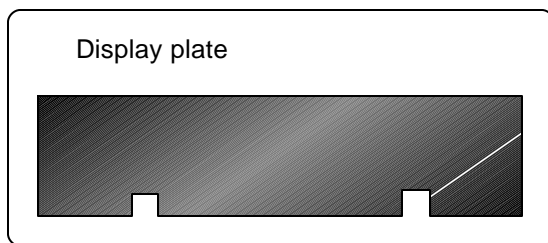
2 Set up CDs in CD Player

- Power on the machine.
- Use 2 keys to open the Display Front door.
- Remove 4 or 5 CDs from CD cases. (Max. 5 CDs in tray available, but display shows max. 4 CD cases)
- Press Open/Close button to open the CD Carousel. You can place up to 5 CDs in CD Carousel. Set 1 CD in Front then press Disk Skip button to turn the Carousel to place next CD. Continue to place up to 5 CDs.
- Press Open/Close button to close CD Carousel.
- Re-power on the machine to automatically run the CD Player.
- Adjust the Volume. (Volume Control Knob is located on front of Amplifier.)
- SPINNING CD TREE will turn.



3 Set up the CD Cases in Display door

- Remove Display plate from back of Display Door. (Fig 1)
- Slide in 4 CD cases. (fig 2)
- Replace the Display plate. (Fig 3)
- Close Display Front Door.

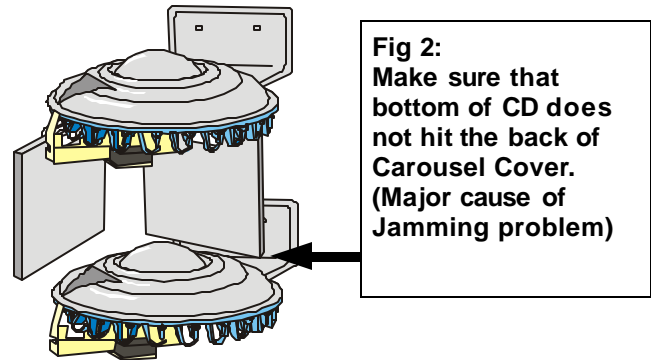
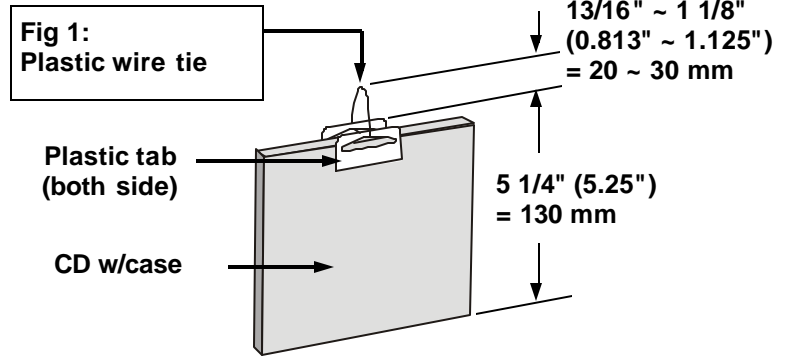


4 Set up the Prizes. (CDs)

- a) Use 2 plastic tabs with 1 tie per CD. (See Fig 1)
- b) Make sure that bottom of CD does not hit the back of Carousel Cover. (See Fig 2)
- c) Make sure that Plastic tab does not hit the Prize pusher bracket before Plastic tie hits the Micro switch wire of Prize count micro switch. (This is the major Cause of Jackpotting. See Fig 3)
- d) Suggested Maximum # of prizes is **4 CDs per Carousel unit. Total 32 CDs per machine.** (See Fig 4)
- e) Do not forget to adjust the prize value for each carousel.

CD = \$15.00 = Setting #13

Please check the payout movement when you set up the new prizes. Go to setting mode. Set winability "Winner every time" to test the Carousel Unit.



Part of Carousel Unit (Prize Pusher Bracket Area)

Fig 3: IMPORTANT!!!
Top of Plastic tab must clear bottom of prize pusher bracket.

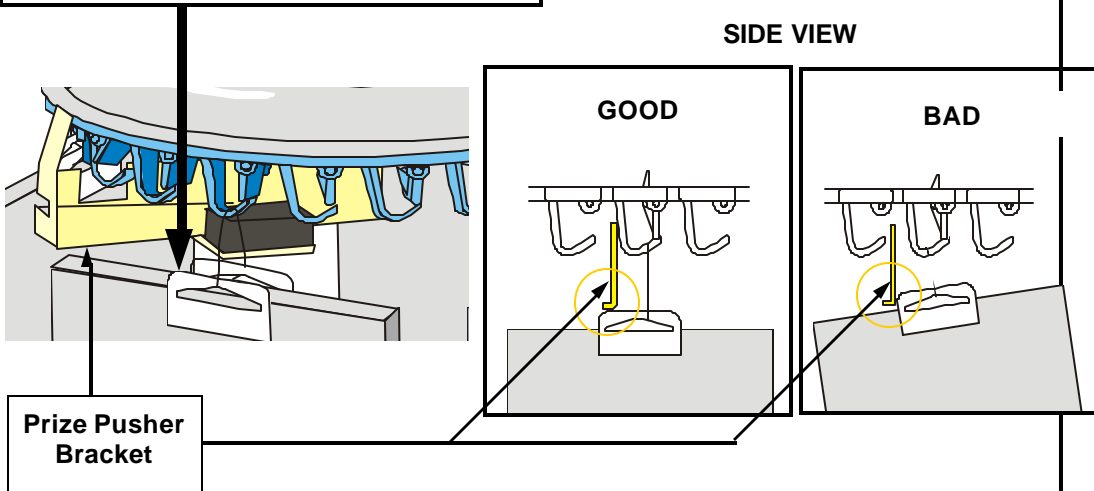
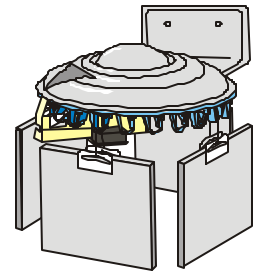
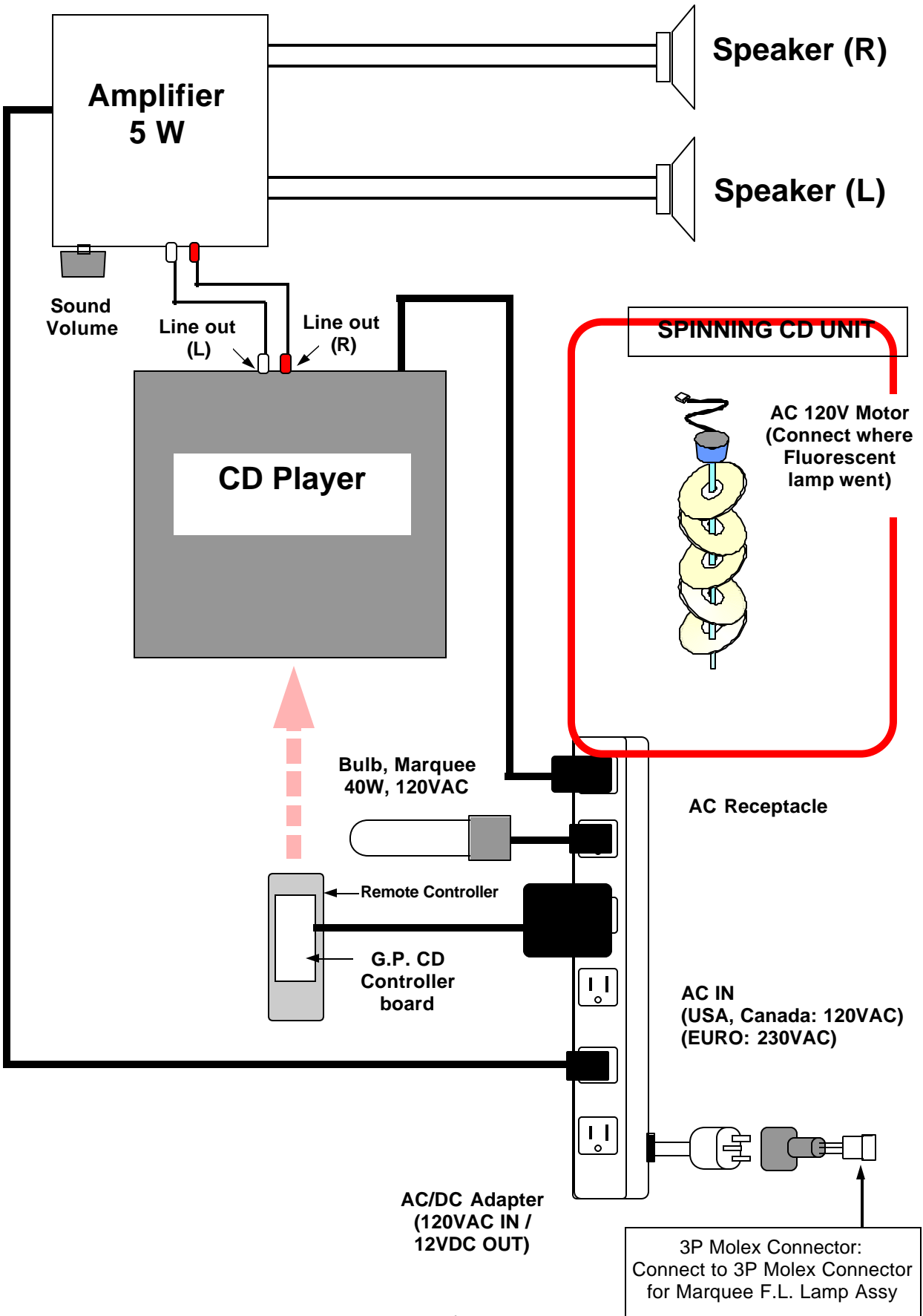


Fig 4: CD set up on Carousel Unit (Max. 4 pcs)



5 Wiring diagram (Music Arena, Top unit)



ELECTRICAL WIRING DIAGRAM (Music Arena, USA & CANADA)

