



ORIGINAL VIDEO GAME  
**OPERATOR'S MANUAL**

■ HELL NIGHT ■



■ EVIL NIGHT ■



**!** Failure to operate the machine correctly could result in malfunction or accidents, so please read this manual carefully before commencing operation. Be sure to operate the machine as described in this manual.

Keep this manual carefully so as to be ready for use when necessary.



# About this product

---

Thank you for purchasing this KONAMI product. This manual explains how to operate your game machine correctly and safely.



- **Failure to operate the machine correctly could result in malfunction or accidents, so please read this manual carefully before commencing operation. Be sure to operate the machine as described in this manual.**
- **Keep this manual carefully so as to be ready for use when necessary.**
- **If the machine still fails to display or to get started, immediately turn OFF the main power switch and contact your nearest dealer.**

• **This manual covers the following models:** \_\_\_\_\_

• **GQ810-TB**

• **GQ810-UC**

• **GQ810-SD**

The specifications of GQ810-TB may be somewhat different from GQ810-SD and GQ810-UC. In such a case, read the descriptions of the model which applies to the game machine you are operating.

---

- The specifications of this product are subject to change without notice for reasons such as improving the performance.
- The contents of this game, its main data and design are protected by copyright law and industrial property law.
- Unauthorized reproduction of this document or any of its contents is strictly forbidden.

© 1998 KONAMI ALL RIGHTS RESERVED.

The copyright of the operating system used for this game software is owned by MATSUSHITA ELECTRIC INDUSTRIAL CO., LTD.

# Contents

---

■ Precautions for use .....	2
■ Locations of warning and other safety labels .....	7
<b>1 Specifications</b> .....	<b>9</b>
<b>2 Names of parts</b> .....	<b>10</b>
<b>3 How to play</b> .....	<b>11</b>
<b>4 Opening and closing the doors</b>	
4-1 Opening and closing the maintenance door .....	12
4-2 Opening and closing the coin door .....	13
<b>5 PCB settings</b>	
5-1 PCB start-up check (self test) .....	14
5-2 Adjusting the game environment (manual test) .....	15
5-3 Mode descriptions .....	16
<b>6 Setting up the game machine</b>	
6-1 Fastening the adjusters .....	24
6-2 Service panel .....	24
6-3 Power unit .....	25
6-4 Moving the game machine .....	26
6-5 Moving the coin counter .....	27
<b>7 Maintenance</b>	
7-1 Replacing the coin selector .....	28
7-2 Replacing the fluorescent light .....	29
7-3 Replacing the start button .....	30
7-4 Replacing the gun unit .....	31
7-5 Resetting the circuit protector .....	33
7-6 Adjusting the monitor .....	34
<b>8 Annex</b>	
8-1 Label locations and exploded view .....	35
8-2 Wiring diagram .....	49

# ■ Precautions for use

---

In this manual, the precautions to be followed without fail in order to prevent damage to persons to install, use or maintain “HELLNIGHT™ (EVILNIGHT™)” or other persons or to properties are shown as follows.

## Be sure to read the following

•The following suggestions show the degree of danger and damage caused when the product is used improperly with the suggestions disregarded.



Indicates a situation where disregarding the suggestions could result in death or serious injury.



Indicates a situation where disregarding the suggestions could result in injury or product damage.

•The following graphic suggestions describe the types of precautions to be followed.



Indicates a matter of which care should be taken.



Indicates a matter which is forbidden.



Indicates a matter which should be performed without fail.

•Definitions of qualified in-shop maintenance persons and industry specialist who handle this product.

•In this instruction manual, some procedures require a qualified in-shop maintenance person or industry specialist. For such instructions, a qualified person must take care of the jobs.

•Otherwise an electric shock, machine trouble, or a serious accident may result.

•Replacing the machine parts, inspecting and maintaining the machines, and troubleshooting must be assigned only to a qualified in-shop maintenance person or industry specialist. This booklet gives instructions that hazardous jobs in particular must be handled by an industry specialist. Qualified in-shop maintenance persons and industry specialist are defined as follows.

### Qualified in-shop maintenance persons

• A qualified in-shop maintenance person must have experiences in maintaining amusement machines, money changers and the like. Under the supervision of an amusement machines shop owner or manager, he or she routinely assembles, installs, inspects and maintains the amusement machines, or replaces their component units and consumable parts, in the amusement machines workshop and/or shop.

### Jobs handled by qualified in-shop maintenance persons

• Assembling, installing, inspecting and maintaining amusement machines and money changers, and replacing their component units and consumable parts.

### Industry specialist

• An industry specialist must be engaged in designing, manufacturing, inspecting and servicing amusement machines. Or he or she must have an education in electrical, electronic and mechanical engineering, and routinely maintain and repair amusement machines.

### Jobs handled by industry specialist


• Assembling and installing amusement machines and money changers, and repairing and adjusting their electrical, electronic and mechanical component parts.


## Setting Up





### WARNING


- **Be sure to consult your nearest dealer when setting up, moving or transporting this product.**


  - This product should not be set up, moved or transported by anyone other than industry specialist. Doing so could result in injury or product damage.
  - When installing the machine, make sure that all the 4 adjusters are tight on the floor and that the machine is placed stably and horizontally. Unstable set-up may get the machine shaky and result in personal injury or machine trouble.
  - When setting up this product, take care that no undue force is applied to the opening / closing sections or moving sections of the game machine. Failure to do so could cause injury, accidents or product damage.
  
- **This product is an indoor game machine. Never set up the game machine outside.** 


  - Setting up this product outside could result in accidents or equipment failure.
  
- **Do not set up the game machine near emergency exits.** 


  - Doing so could block exits in time of emergency and could result in death or serious injury.
  
- **Do not set up the game machine.** 

  - Otherwise an accident or malfunction may result.
  - In a place exposed to rain or moisture.
  - In a place exposed to direct sunlight.
  - In a place exposed to direct heat from air-conditioning and heating equipment, etc..
  - Near hazardous flammable substance such as thinner and kerosene.
  - On an inclined or uneven floor.
  - Near fire extinguishing equipment.
  - In a place exposed to strong vibration.
  - In a place exposed to excessive dust.
  - Near equipment generating strong magnetism or electric waves.
  
- **Do not place containers holding chemicals or water on or near the game machine.** 

  - Electrical shock or damage could be caused by water or foreign matter entering the inside of the machine.
  
- **Do not place objects near the ventilating holes.** 

  - Doing so could cause the internal temperature to rise excessively, resulting in fire or equipment failure.
  
- **Do not bend the power cord by force or place heavy objects on it.** 

  - Doing so could result in electric leakage or fire.
  
- **Never plug or unplug the power cord with wet hands.** 





  - Doing so could result in electrical shock.
  
- **Never unplug by pulling the power cord.** 

  - Doing so could damage the cord, resulting in electric leakage or fire.

## Setting Up




### CAUTION

- **Be sure to use indoor wiring for within the specified voltage range. For extension cord, use indoor wiring of the specified rating or more.**
  - Failure to do so could result in fire or equipment failure.
- **Be sure to use the attached power cord.**
  - Otherwise a fire or machine trouble may result.
- **Never plug more than one cord at a time in the electrical receptacle.**
  - Doing so could result in fire or electrical shock. 
- **Do not lay the power cord where people walk through. You may tread on or stumble over them.**
  - You may stumble down and get injured, or damage the power cord or the cable. 
- **Be sure to ground this product.**
  - Otherwise an electric shock or machine trouble may be caused. 
- **When moving the units, be careful not to apply undue force.**
  - An accident or machine damage may result.
- **When moving the machine, do not hold the gun unit or gun cable.**
  - Otherwise you could get injured or the machine damaged. 
- **Clearance of 100 mm (3.94in) or more should be created between the game machine and walls.**
  - Otherwise the machine (s) cannot be ventilated well, resulting in malfunction.



## Operation



### WARNING

- **If there is any abnormality such as smoke, bad smell or abnormal noise being emitted from the machine, immediately turn OFF the main power switch and unplug the power cord from the receptacle to stop operating it.** 
  - Using the machine in abnormal conditions could result in fire or accidents.

**In case of abnormality**

  - 1 Turn OFF the main power switch.
  - 2 Unplug the power cord from the receptacle.
  - 3 Contact your nearest dealer.
- **Do not leave the power cord plugged improperly or covered with dust.**
  - Doing so could result in electrical shock or fire, so inspect the power cord periodically. 
- **Never disassemble, repair or modify any section other than those specified in this manual.**
  - Doing so could result in fire, malfunction or equipment failure.
  - Ask your nearest dealer to perform repairing, etc..
  - We do not assume any responsibility for any damages that would be caused by tampering with the machine. 

## Operation



### CAUTION

- **Do not use this product anywhere other than industrial areas.**
  - Using in a residential area or an area next to a residential area could affect signal reception of radios, television sets, telephones, etc..
- **The following users should not play the game.**
  - Doing so could cause accidents or illness.

·Those under the influence of alcohol.	·Those in bad shape.
·Those suffering from or being treated for arm or wrist ailments.	·Those pregnant or probably pregnant.
·Those suffering high blood pressure or heart ailments.	·Those pregnant or probably pregnant.
- **Ask players not to roughly handle or wave the gun unit.**
  - An injury or machine trouble may result. A forceful pull of the gun cable may also break the cable.
- **Do not plug or unplug the power cord with wet hands.**
  - Doing so could result in electrical shock.
- **In handling the power cord, follow the instructions below.**
  - Otherwise an electric leak, fire or electric shock may result. Normal communication play may also be impossible.

·Do not damage the power cord.	·Do not modify the power cord.
·Do not bend the power cord excessively.	·Do not twist the power cord.
·Do not heat the power cord.	·Do not pull the power cord.
·Do not bind the power cord.	·Do not tread on the power cord.
·Do not sandwich the power cord.	·Do not drive a nail into the power cord.
- **If the power cord or power plug becomes damaged, stop using the machine immediately and ask your nearest dealer to replace the parts.**
  - Using a damaged power cord or power plug could result in fire or electrical shock.
- **After the play is over, make sure the gun unit is back in the specified position.**
  - Hitting against the gun may cause an injury.

## Inspection and cleaning





### WARNING

- **Be sure to turn OFF the main power switch and unplug the power cord from the receptacle before inspecting or cleaning the machine.**
  - Failure to do so could result in electrical shock.
- **When replacing parts, be sure to use parts of the correct specifications. Never use parts other than the specified ones.**
  - Using improper parts could result in fire or equipment failure.
- **The machine has some high-voltage parts inside. Only a qualified industry specialist is allowed to open the back door of the machine. With this back door open, be very careful not to touch unnecessary parts.**
  - Otherwise an accident or electric shock may result.
- **Before opening the back door, be sure to turn OFF the main power switch on the power unit and unplug the power cord. If the sub-power switch on the service panel is turned OFF but the main power switch on the power unit is still ON, some parts inside are still on power.**
- **Never disassemble, repair or modify any section other than those specified in this manual.**
  - Doing so could result in fire, malfunction or equipment failure.
  - Ask your nearest dealer to perform repairing, etc..
  - We do not assume any responsibility for any damages that would be caused by tampering with the machine.
- **To clean the game machine, wipe it with a soft cloth dampened in a neutral detergent and wrung out.**
  - Using thinner or other organic solvent or alcohol may decompose the material.
  - Electrical shock or equipment failure could be caused by water entering the inside of the machine.

## Moving and transportation



### CAUTION

- **The game machine contains parts such as the monitor, electronic components and precision components which are sensitive to vibrations and impacts. Great care therefore should be taken when moving and transporting the game machine. Be sure not to let the machine tip over.** 
- **Before moving the machine, be sure to turn OFF the main power switch, unplug the power cord from the receptacle and remove the power cord from the machine.** 
  - Stepping on or tripping over the power cord may result in an accident or damage the machine.
- **Before moving the machine, be sure to fully screw up all the adjusters. Move the machine on the casters.**
  - An accident, machine damage or trouble may result.
- **When moving the units, be careful not to apply undue force.**
  - An accident or machine damage may result.

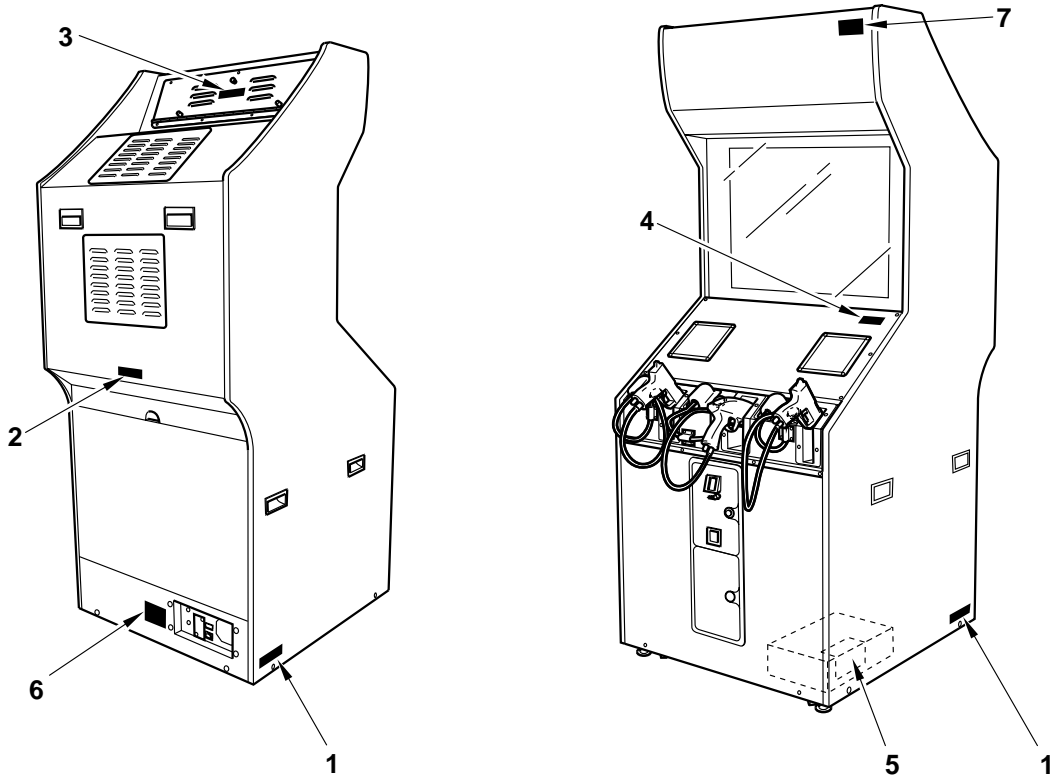
---

### PRECAUTION IN HANDLING

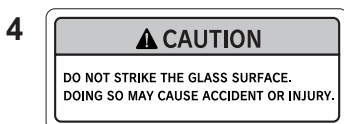
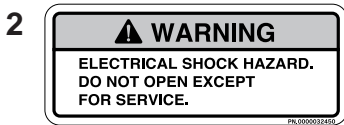
- When setting up, inspecting, maintaining, moving or transporting this product, follow the procedures and instructions set forth in this manual and perform such work safely.
- Do not remove labels of "WARNING", "CAUTION", etc. attached to the product.
- Do not set up, handle, inspect, maintain, move or transport this product under conditions equivalent to the condition of "WARNING" or "CAUTION" specified in this manual.
- If a new owner is to have this product as a result of transfer, etc., be sure to give this manual to the new owner.



# Locations of warning and other safety labels



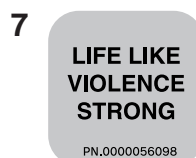
## Types of warning and other safety labels



6

MODEL	GQ810-TB HELLNIGHT
POWER	110 V / 60 Hz 180 W / 230 VA
MANUFACTURER	KONAMI CO., LTD.
DATE OF MANUFACTURE	OCTOBER, 1998
WEIGHT	165 kg (363.8 lb)
SERIAL NUMBER	
<b>KONAMI.</b> MADE IN JAPAN	
PN.00003112	INDOOR USE

• The above is an example.  
The entries are different from destination to destination.

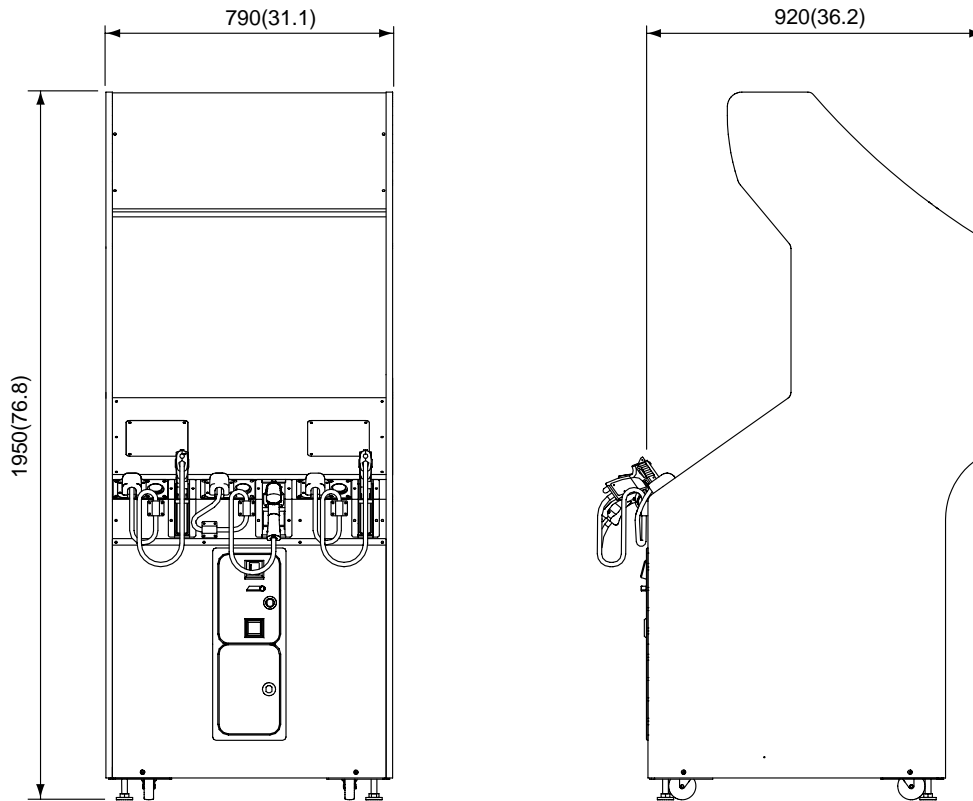


• GQ810-UC only

# MEMO

---

# 1 Specifications

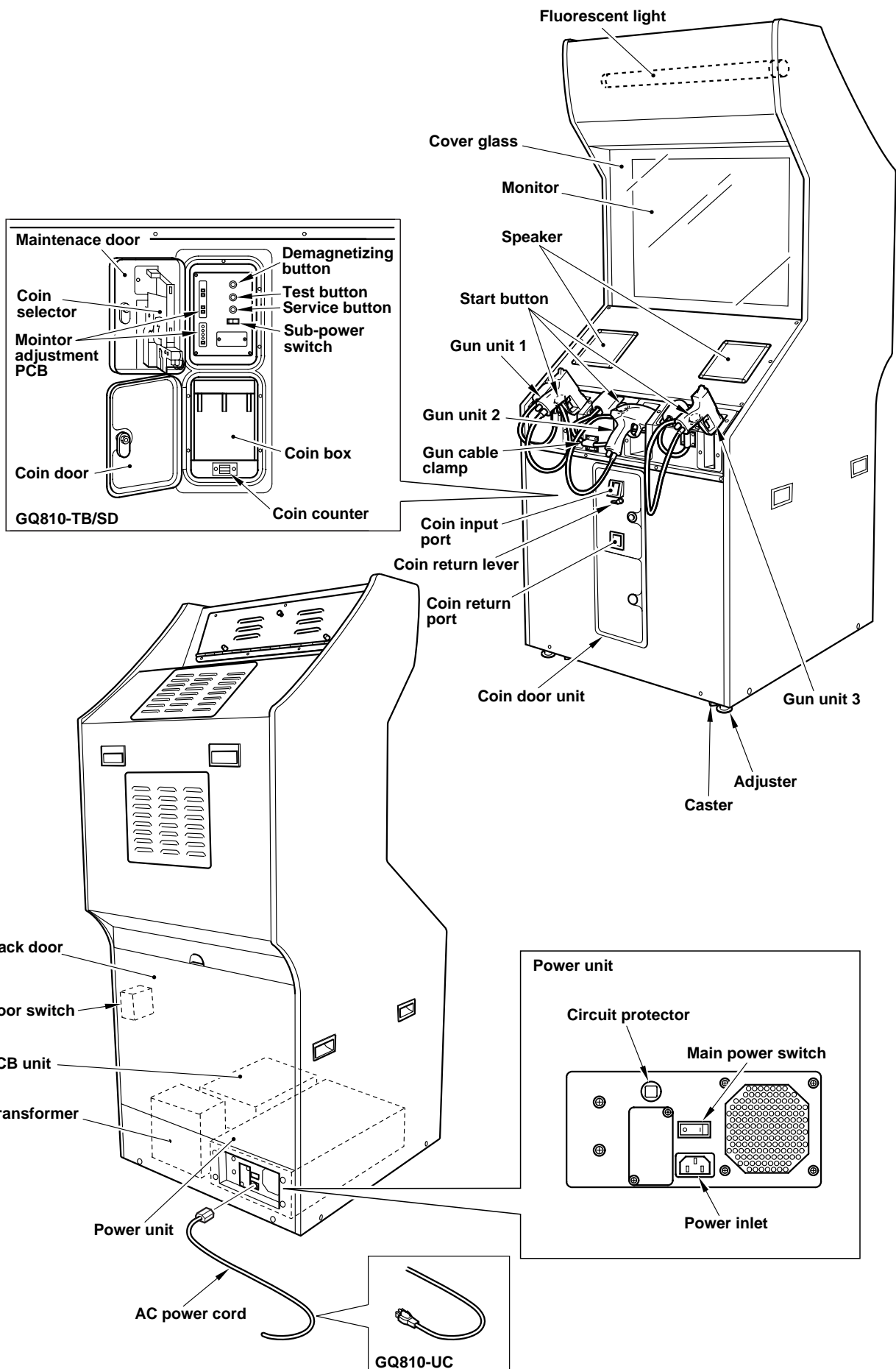


## Specifications

Dimensions	Refer to the figure above : mm (in)
Total weight	Approx. 165 kg (363.8lb)
Rated power consumption /actual power	GQ810-TB : 180W / 230VA GQ810-SD / UC : 150W / 210VA
Monitor	29-inch color monitor
Service condition	Temperature 5 to 40°C (41 to 104°F), Humidity 20 to 70% (No dewing is allowed.)
Attachments	<ul style="list-style-type: none"> <li>·Instruction manual ..... This manual</li> <li>·Keys for coin door .....2</li> <li>·Keys for maintenance .....2</li> <li>·AC power cord ..... 1</li> </ul>

- If any part is defective or not found, contact your nearest dealer.
- The specifications of this product are subject to change without notice for reasons such as improving the performance.

# 2 Names of parts





# 4 Opening and closing the doors

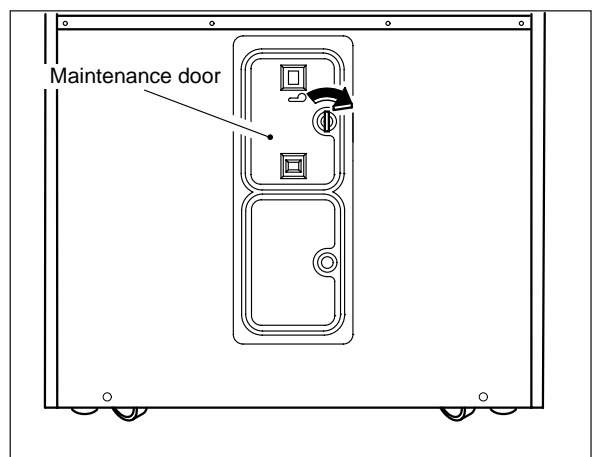
## 4-1 Opening and closing the maintenance door

### ■ How to open the maintenance door

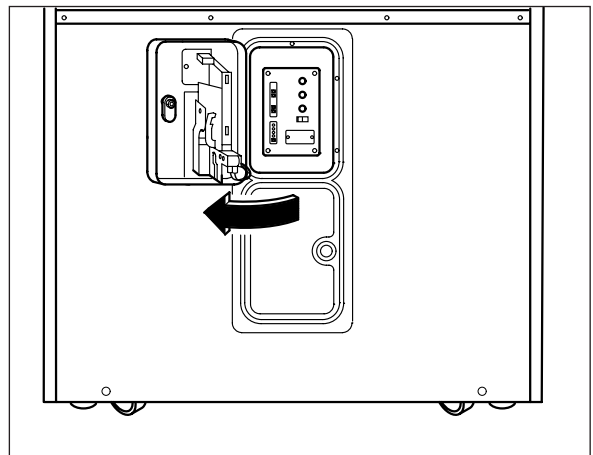


- Take care not to apply any load or impact to the maintenance door when it is open.
- After closing the maintenance door, be sure to check that the door is locked securely.

- 1 | Insert the attached maintenance key in the maintenance door and turn it clockwise.



- 2 | Open the maintenance door.



### ■ How to close the maintenance door

- 1 | Close the maintenance door.
- 2 | Turn the maintenance key counterclockwise and draw it out.

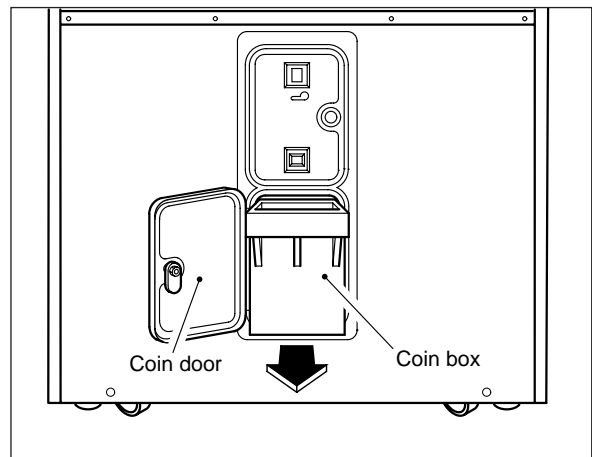
## 4-2 Opening and closing the coin door

### ■ Opening and closing the coin door and removing the coin box — — — — —



- Take care not to apply any load or impact to the coin door when it is open.
- Securely lock the door for protection against burglaries.
- Note that the coin box is considerably heavy to take out if it is full of coins.

- 1 | Insert the attached coin door key in the coin door and turn it clockwise.
- 2 | Open the coin door and take out the coin box.

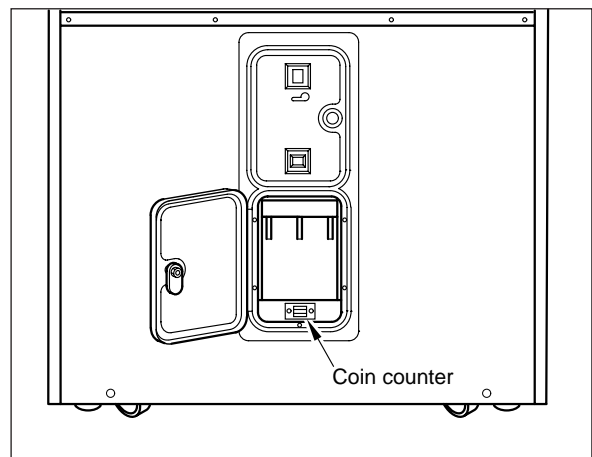


### ■ Coin counter — — — — —

You will find the coin box when the coin door is opened.  
The coin counter is located under the coin box.

- To move the coin counter onto the service panel, see page 27.

**MEMO**



# 5 PCB settings

---

## 5-1 PCB start-up check (self test)

When the power switch is turned ON after installation of machine, the performance of game Printed Circuit Boards (PCB) is checked automatically and the result is displayed on the screen. If the power is not turned ON, make sure that the main power switch and sub-power switch are both at the ON position. (See pages 24 and 25)



- Be sure to check the PCB unit (self test) before using the machine.
- When the machine has been set up or moved to another place, turn ON the power switch and press the demagnetizing button on the service panel to demagnetize the monitor. If the monitor is still magnetized, the gun unit may respond well or the target points may get out of position.
- When the machine has been set up or the PCB unit or the gun unit has been repaired or replaced, be sure to position the target points, referring to “CALIBRATION” on page 22.
- When the settings have been brought back to the factory ones, be sure to position the target points, referring to “CALIBRATION” on page 22.
- If an abnormality persists or the machine does not operate properly, immediately turn OFF the main power switch, unplug the power cord from the receptacle and contact your nearest dealer.

### ■ Result of test —————

#### If test is OK

- The machine goes to the game mode and the demonstration game gets started.

#### If any abnormality is detected

- “BAD” appears on the screen, and the checking is repeated.

If “BAD” appears on the “RTC CHECK” or “EEP ROM CHECK” screen, once turn OFF the power switch and turn it ON again while holding down the test button on the service panel.

(The settings made in the manual test will return to the factory settings.)

If an abnormal display continues or the machine does not operate normally, immediately turn OFF the main power switch, unplug the power cord and contact your nearest dealer.



## 5-2 Adjusting the game environment (manual test)

Manually check and change the settings for the screen displays and game contents and change them as required.

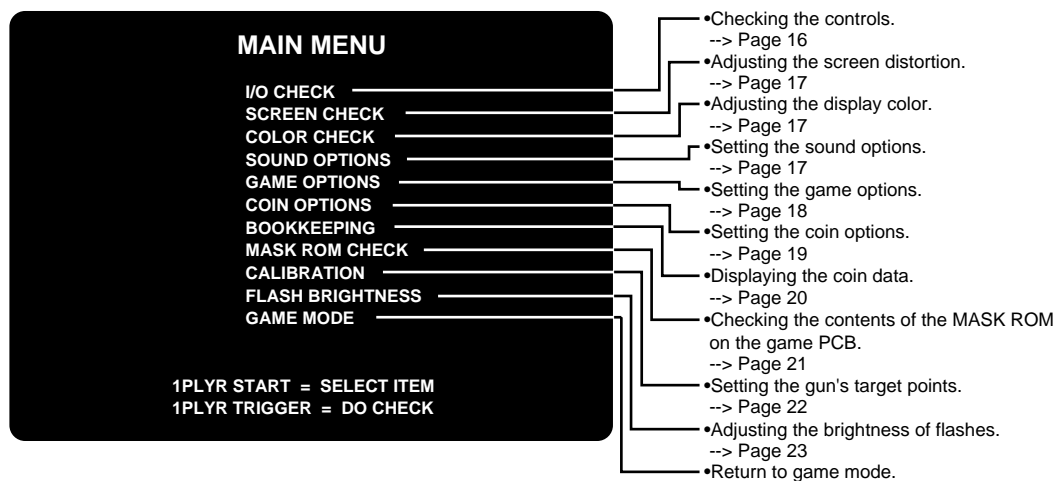
### Starting the manual test mode

- 1 Turn ON the power switch.
- 2 While the demonstration game is playing, press the test button on the service panel. (Do not turn ON the power switch with the test button held down. The current settings will be erased and the machine will have the factory settings.)
  - The unit is set in the manual test mode and the main menu is displayed on the screen.

### Quit the manual test mode

- 1 Press the 1P start button to select "GAME MODE" on the main menu screen.
- 2 Pull the trigger of the 1P gun.
  - The screen goes back to the game mode.

### Main menu screen (basic items)



### Selecting each mode

How to select each mode from the main menu

- SELECT --> Press the 1P start button.
- SET --> Pull the trigger of the 1P gun.

After selecting a mode, refer to the page on which that mode is described in details.

## 5-3 Mode descriptions

- The original factory settings are displayed in green; the changed settings are displayed in red.
  - Press the 1P start button to select a setting to be modified. Pull the 1P gun trigger to change the setting.
  - After the setting has been changed, select “SAVE AND EXIT” and pull the 1P gun trigger.
  - “NOW SAVING” will appear, the modified settings will be saved, and the screen returns to the main menu.
  - If “EXIT” is selected after the modification of the settings, the following message will appear.
  - “YOU DID NOT SAVE. DO YOU WANT TO SAVE? YES/NO” select “YES” or “NO”. Press the 1P start button to select “YES” or “NO”. Pull the 1P gun trigger to enter the decision.
  - If “YES” is selected, the new settings will be saved with “NOW SAVING” displayed and the screen will return to the main menu.
  - If “NO” is selected, the message “NO MODIFICATION” will appear, the modified settings will not be saved, but the main menu will show up again on the screen.

• If “FACTORY SETTINGS” is selected and the trigger of the 1P gun is pulled, all the settings of the mode will be back to the factory ones.

**MEMO**

## I/O CHECK

### Checking the controls

- Mode for checking the performance of the controls.
  - To return to the main menu screen, hold down the 1P start button and pull the 1P gun trigger.

I/O CHECK			
	PLAYER1	PLAYER2	PLAYER3
TRIGGER	OFF	OFF	OFF
GUN SWITCH	OFF	OFF	OFF
START	OFF	OFF	OFF
SERVICE	OFF	OFF	OFF
COIN MECH SWITCH1		OFF	
COIN MECH SWITCH2		OFF	
COIN MECH SWITCH3		OFF	
TEST SWITCH	OFF		
1PLYR START AND 1PLYR TRIGGER = EXIT			

• Pull each gun trigger and see if “ON” shows up in red.

• Hold the 1P and 3P gun muzzles just upward and see if “ON” shows up in red.  
Pull the 2P gun slide handle to see if “ON” shows up in red.

• This screen is just an example.

## SCREEN CHECK

### Adjusting the screen distortion

- Mode for checking the screen display.

Adjust the focus, distortion and size of the image on the screen while watching the crosshatch pattern. Use the monitor adjustment PCB (See page 34) to make adjustments.

To return to the main menu screen, press the 1P start button.

## COLOR CHECK

### Adjusting the display color

- Mode for checking the display color.

Make the adjustment using the monitor adjustment PCB (See page 34) so that the colors of the color bars should appear properly graduated and the background should become black sufficiently.

To return to the main menu screen, press the 1P start button.

## SOUND OPTIONS

### Setting the sound options

- Mode for setting and checking the sound options.

Press the 1P start button to select an item. Pull the 1P or 2P gun trigger to change the setting.

To return to the main menu screen, select "SAVE AND EXIT" or "EXIT" and pull the trigger of the 1P gun.

**SOUND OPTIONS**

SOUND OUTPUT  
MONAURAL

SOUND IN ATTRACT MODE  
ALL THE TIME

SOUND VOLUME  
12

SOUND SCALE CHECK1  
SOUND SCALE CHECK2  
SOUND SCALE CHECK3

FACTORY SETTING  
SAVE AND EXIT  
EXIT

(NEED TO PULL 1PLYR TRIGGER)

1PLYR START = SELECT OPTION  
1PLYR AND 2PLYR TRIGGER = MODIFY SETTING

- Turns on and off the demo play sound.
  - ALL THE TIME.....Sound always on.
  - ONCE EVERY 4 CYCLES .....Sound on every 4 cycles.
  - COMPLETELY OFF .....Sound always off.
- Adjusts the volume level of voice and sound effects in the range of 0 (mute) to 30 (maximum.).
  - \*To raise the sound level, pull the trigger of the 2P gun.
  - \*To lower the sound level, pull the trigger of the 1P gun.
- Three different "do, re, mi ... do" musical scales are heard from the right and left speakers.
- Pull the 1P gun trigger to see if all the settings in this mode go back to the factory ones.

•This screen is just an example.

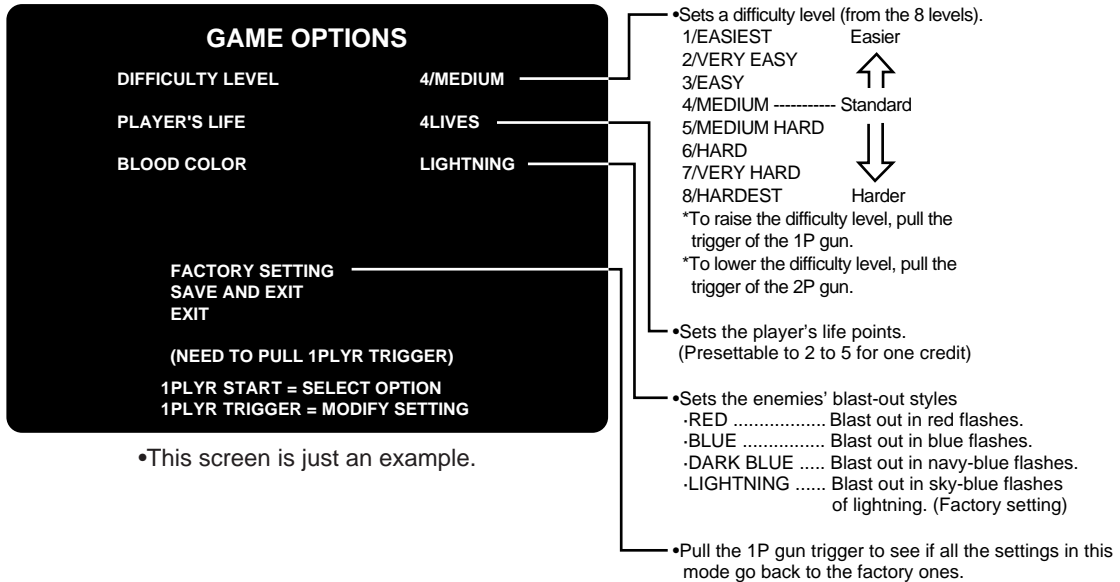
# GAME OPTIONS

## Setting the game options

■ Mode for setting and checking the game options.

Press the 1P start button to select an item. Pull the 1P or 2P gun trigger to modify the setting.

To return to the main menu screen, select "SAVE AND EXIT" or "EXIT" and pull the trigger of the 1P gun.



# COIN OPTIONS

## Setting the coin options

- Mode for setting and checking the coin options.  
Press the 1P start button to select an item. Pull the 1P gun trigger to change the setting.  
To return to the main menu screen, select "SAVE AND EXIT" or "EXIT" and pull the trigger of the 1P gun.



•The coin setting options are not displayed when "FREE PLAY" is set to "YES". In such case, remember the games will be free.

**COIN OPTIONS**

FREE PLAY NO \_\_\_\_\_

COIN MECHANISM COMMON \_\_\_\_\_

COIN SLOT1 1COIN 1CREDIT \_\_\_\_\_

COIN SLOT2 1COIN 1CREDIT \_\_\_\_\_

PREMIUM START NO \_\_\_\_\_

TO START 1 CREDIT \_\_\_\_\_

TO CONTINUE 1 CREDIT \_\_\_\_\_

FACTORY SETTING \_\_\_\_\_

SAVE AND EXIT \_\_\_\_\_

EXIT \_\_\_\_\_

(NEED TO PULL 1PLYR TRIGGER)

1PLYR START = SELECT ITEM

1PLYR TRIGGER = MODIFY SETTING

•This screen is just an example.

- Selects a free play.  
YES.....Available for free play.  
NO.....Not available for free play.
- Sets which mode the 1P, 2P and 3P credits are common or independent in.  
-COMMON ..... Total of all credits is counted regardless of the number of coin slots.  
-INDEPENDENT ..... Each credit is counted separately for each coin slot.  
\*Make the same setting for COIN SLOT1 and COIN SLOT2 when COMMON is selected.
- Sets the number of credits for the coin.  
(Make the settings referring to the table below.)
- Sets the premium start.  
Choose from "NO", "YES1", "YES2", "YES3" and "YES4".  
(See the figure below)
- Sets the number of credits (1 to 5) required to start the game.
- Sets the number of credits (1 to 5) required to continue the game.
- Pull the 1P gun trigger to see if all the settings in this mode go back to the factory ones.

•This game machine is equipped with just one coin slot. Keep "COMMON" for the "COIN MECHANISM" entry on the above screen. Also make the same setting for the "COIN SLOT 1" and "COIN SLOT 2" entries.

## MEMO

### The relationship between the number of coins and the number of credits. — — — —

SETTING	1	2	3	4	5	6	7	8	9	10	11	12	13	14	15	16
COIN(S)	1	1	1	1	1	1	1	2	2	2	3	3	3	4	4	4
CREDIT(S)	1	2	3	4	5	6	7	1	3	5	1	2	4	1	3	5

### "PREMIUM START" Setting — — — — —

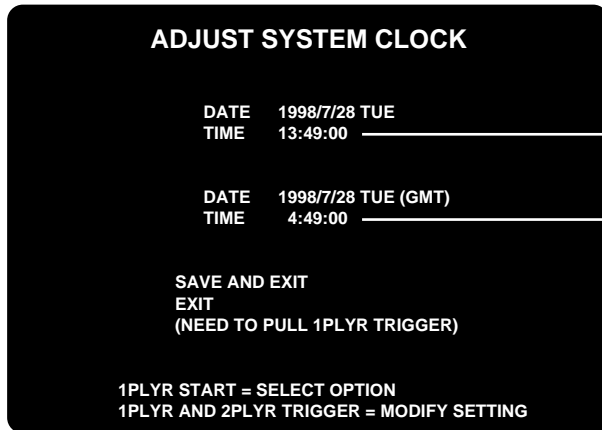
•It is possible to set the different numbers of credits for the start of the game and for its continuation. First, select a difference in the number of credits between the start and the continuation among "YES1" to "YES4", and set the number of credits for continuation. The number of credits for start is automatically set as the addition of the number of credits for continuation and the above selected difference. When "PREMIUM START" is not set, the number of credits required for start and that for continuation become the same.

**Example: "PREMIUM START YES1" selected**  
Credit 1 at continuation + Difference in the number 1 = Credit 2 at start

# BOOKKEEPING

## Displaying the coin data

- Mode for displaying the total data on the number of coins put in the machine.  
If the time is preset in this mode, the total data on the number of coins put into the machine can be viewed by coin slot.  
To return to the main menu screen, select “SAVE AND EXIT” or “EXIT” and pull the trigger of the 1P gun.



•Displays the current date and time in 24-hour system.  
(July 28, 1998, Tuesday, 13:49:00 indicated here)

•Displays the current time (GMT) in the 24-hour system.  
(July 28, 1998, Tuesday, 4:49:00 indicated here)

•This screen is just an example.

## ■ Setting the current time

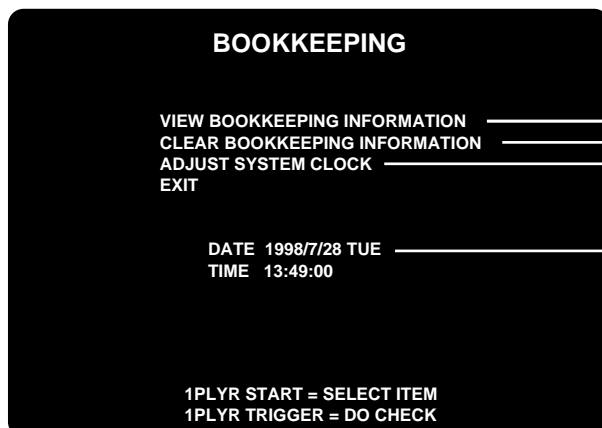
- 1 Press the 1P start button. Pull the 1P or 2P gun trigger to set the hour.
- 2 Press the 1P start button again. The “minute” figures turn red. Do the same to set the minute.
- 3 Press the 1P start button once more. The “second” figures turn red. Do the same to set the second.
- 4 Now press the 1P start button and select “SAVE AND EXIT”. Finally pull the 1P gun trigger.

•If the time setting has not been made — for example, after the machine has been set up or initialized —, the “ADJUST SYSTEM CLOCK” screen shows up.  
•When the time setting has been modified, the bookkeeping information is automatically cleared. With the current time not set, the total of received coins and other bookkeeping data are not displayed.

## MEMO

## ■ BOOKKEEPING menu screen

When the time setting has been made and “BOOKKEEPING” is selected on the main menu, the “BOOKKEEPING” menu screen shows up.



•Displays the bookkeeping information by coin slot.

•Clears the bookkeeping information.

•Sets the current time.

•Displays the current time and the date (year/month/day) in 24-hour system. (July 28, 1998, Tuesday, 13:49:00 indicated here)

•This screen is just an example.

## VIEW BOOKKEEPING INFORMATION

In this mode, the bookkeeping information is displayed. The number of coins for each of the items can be viewed by coin slot.

VIEW BOOKKEEPING INFORMATION			
	SLOT1	SLOT2	SLOT3
TOTAL COINS	10	29	0
TODAY'S COIN	10	29	0
COIN DATA OF LAST 7DAYS			
YESTERDAY	0	0	0
-2 DAY	0	0	0
-3 DAY	0	0	0
-4 DAY	0	0	0
-5 DAY	0	0	0
-6 DAY	0	0	0
-7 DAY	0	0	0
LAST 7DAYS AVERAGE	0.0	0.0	0.0

1PLYR START = SELECT ITEM  
1PLYR TRIGGER = DO CHECK

- Total number of coins after the time being set.
- Number of coins of today.
- Number of coins of yesterday.
- Number of coins of 2 days ago.
- Number of coins of 3 days ago.
- Number of coins of 4 days ago.
- Number of coins of 5 days ago.
- Number of coins of 6 days ago.
- Number of coins of 7 days ago.
- Average number of coins of last 7 days.

•This screen is just an example.

Pull the 1P gun trigger and the total coin data of the past 12 weeks are displayed for each week.

## CLEAR BOOKKEEPING INFORMATION

In this mode, the total coin data is cleared. Before clearing, you are asked to confirm “YES” or “NO” twice. After the data is cleared, the BOOKKEEPING menu screen shows up again.

# MASK ROM CHECK

## Checking the MASK ROM

Mode for checking the MASK ROM on the game PCB.

If the MASK ROM is not in trouble, “OK” is displayed: if in trouble, “BAD” is displayed. Call the MASK ROM CHECK screen and pull the 1P gun trigger, and the checking gets started. If the 1P start button is pressed before getting this checking started, the main menu shows up again on the screen. To return to the main menu screen after this checking, press the 1P start button.

- If “BAD” appears, immediately turn OFF the main power switch, unplug the power cord from the receptacle and contact your nearest dealer.

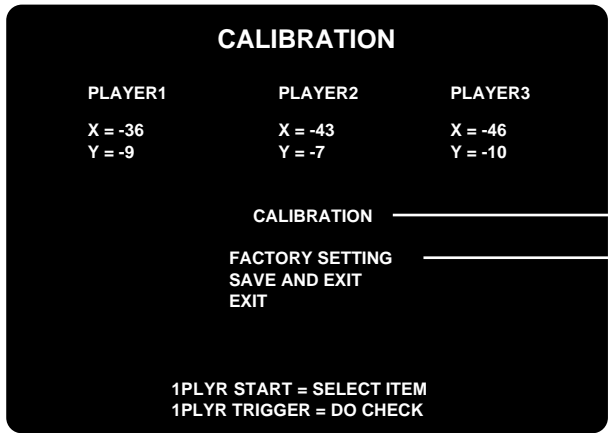
# CALIBRATION

## Setting the gun's target points

- Mode for setting and checking the shooting target positions.  
Readjust and check the shooting target positions.  
To return to the main menu screen, select "SAVE AND EXIT" or "EXIT" and pull the trigger of the 1P gun.



- After the gun unit has been repaired or replaced, be sure to reposition the target points on the "CALIBRATION" screen.
- Do not pull the trigger of the gun again after the "CALIBRATION". The target points will be repositioned again.

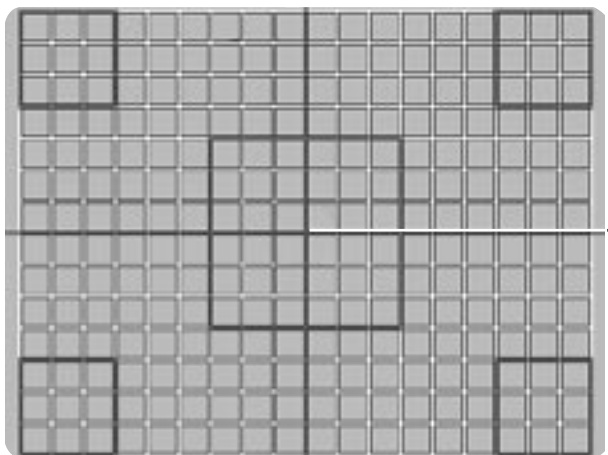


- Setting the target point of the gun.
- Pull the 1P gun trigger to see if all the settings in this mode go back to the factory ones.

•This screen is just an example.

### How to position the target points

- 1 Select "CALIBRATION" and pull the trigger of the 1P gun.
- 2 A crosshatched pattern appears on the screen. Aim the 1P gun at the screen center and pull its trigger. (If the target point is out of position, the target point on the screen automatically goes to the screen center.) The first pull of the trigger leaves no bullet mark, but the second and following ones leave the bullet marks.



- Center marker  
Sets the target points of the 1P, 2P and 3P guns.

- 3 Check and make the same settings for the 2P and 3P guns.
- 4 To return to the "CALIBRATION" screen, hold down the 1P start button and pull the 1P gun trigger.



## FLASH BRIGHTNESS

### Adjusting the brightness of flashes.

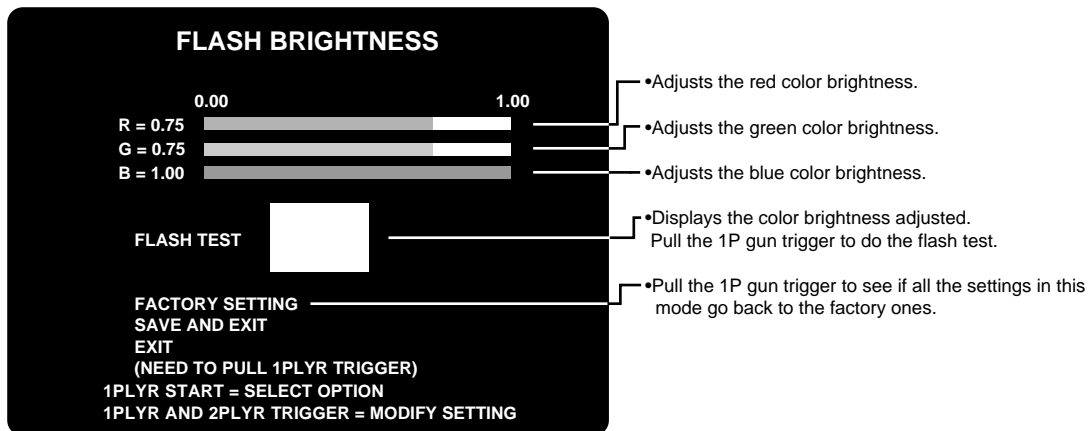
- Mode for adjusting the flash brightness on the screen.

Press the 1P start button to select an item. Pull the 1P or 2P gun trigger to modify the setting.

To return to the main menu screen, select "SAVE AND EXIT" or "EXIT" and pull the trigger of the 1P gun.



- It is advisable to adjust the brightness depending on the brightness of the installation place.



- This screen is just an example.

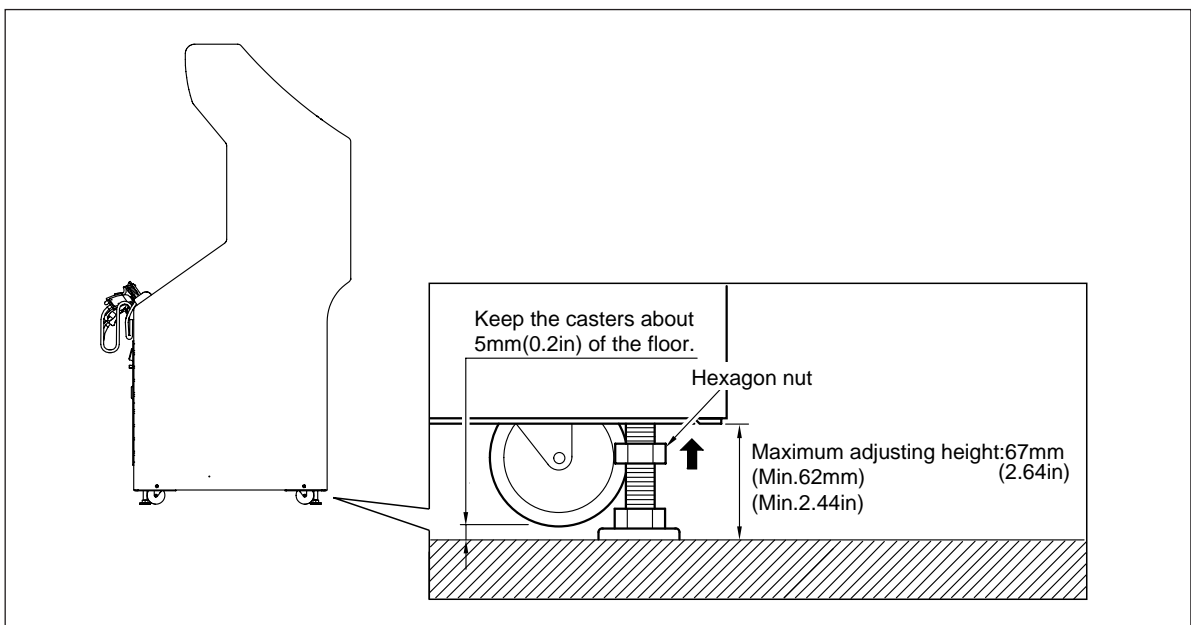
# 6 Setting up the game machine

## 6-1 Fastening the adjusters

### How to fasten the adjusters



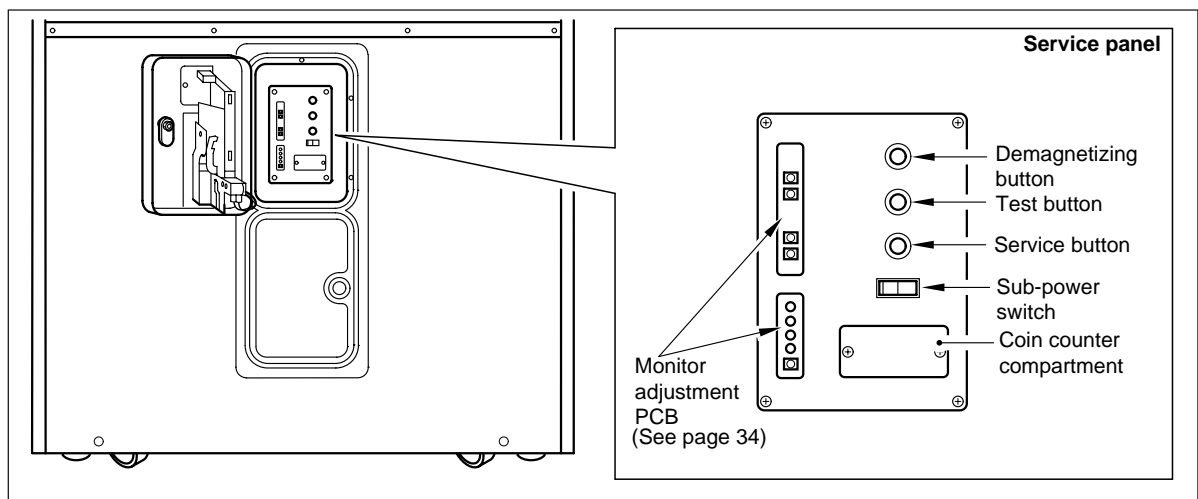
- Adjust the adjusters so that the casters do not touch the floor. Take care not to exceed the maximum adjusting height of the adjuster.
- Lower the 4 adjusters onto the floor. Make sure that the machine is stable and in a horizontal position. Tighten up the hexagon nuts upward.



## 6-2 Service panel

### Service panel

Using the accompanying maintenance key, open and detach the maintenance door to access the service panel inside.



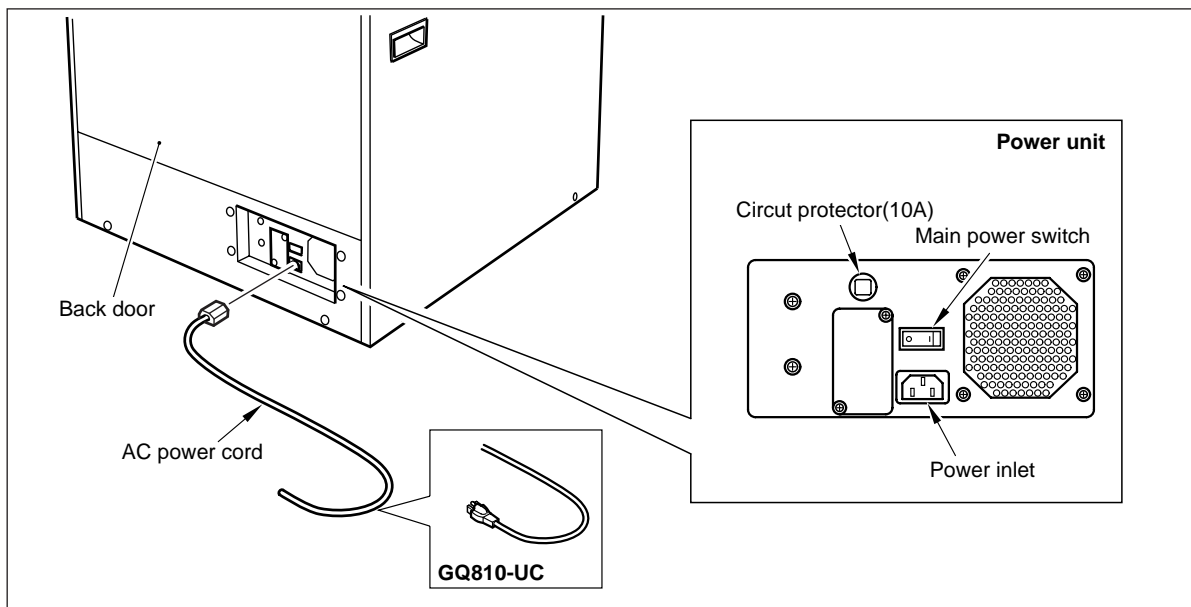
## 6-3 Power unit

### ■ Power unit

The power unit is located on the back of the machine.



- Be sure to use the attached AC power cord.
- Be sure to ground to the machine. Never connect the grounding wire to gas pipe, water pipe or telephone ground terminal.
- The machine has some high-voltage parts inside. Only a qualified industry specialist is allowed to open the back door of the machine. With this back door open, be very careful not to touch unnecessary parts.
- Before opening the back door, be sure to turn OFF the main power switch on the power unit and unplug the power cord. If the sub-power switch on the service panel is turned OFF but the main power switch on the power unit is still ON, some parts inside are still on power.



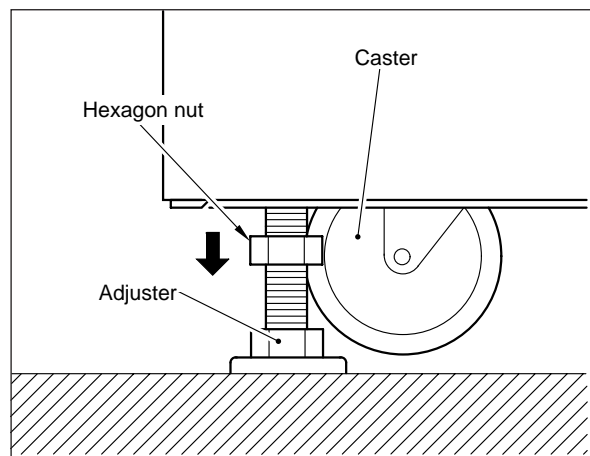
## 6-4 Moving the game machine

### ■ How to movement



- Before moving the machine, be sure to turn OFF the main power switch and unplug the power cord.
- Before moving the machine, be sure to fully screw up all the adjusters. Move the machine on the casters.
- When moving the units, be careful not to apply undue force.
- When moving the machine, do not hold the gun unit or gun cable.
- When the machine has been set up or moved to another place, turn ON the power switch and press the demagnetizing button on the service panel to demagnetize the monitor. If the monitor is still magnetized, the gun unit may respond well or the target points may get out of position.

- 1** Be sure to turn OFF the main power switch and unplug the power cord from the receptacle.
- 2** Disconnect the AC power cord from the machine.
- 3** Loosen the four adjusters and move the machine on its casters.



## 6-5 Moving the coin counter

### How to move the coin counter

The coin counter was installed in the coin box when the machine left the factory, but it can be moved onto the service panel.



•Before moving the coin counter, be sure to turn OFF the main power switch and unplug the power cord from the receptacle.

**1** Be sure to turn OFF the main power switch and unplug the power cord from the receptacle.

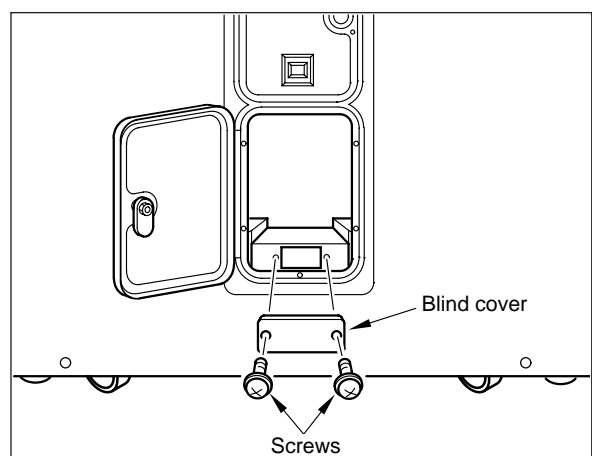
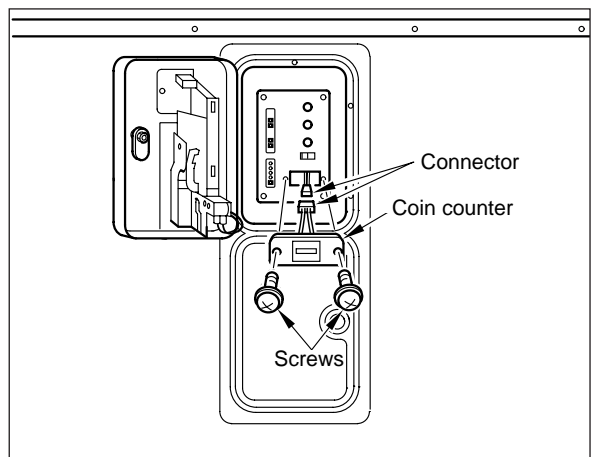
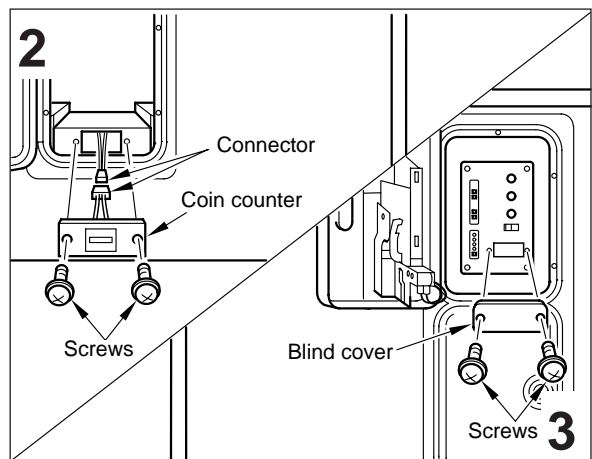
**2** Open the coin door, take out the coin box, remove the screws and take out the coin counter. In the meanwhile, disconnect the connector.

**3** Remove the maintenance door and unscrew the blind cover to remove it from the service panel.

**4** Draw the connector out of the opening of the service panel and connect this connector to the coin counter's connector.

**5** Attach the coin counter on the service panel with the screws.

**6** Attach the blind cover (detached in Step 3 above) back in position on the coin counter using the screws.



# 7 Maintenance

## 7-1 Replacing the coin selector

### ■ How to replace the coin selector

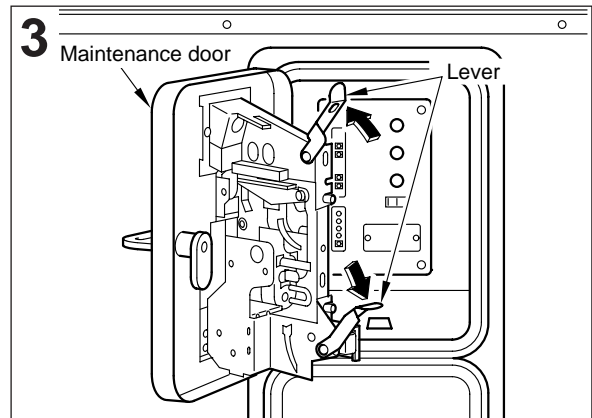


- Before replacing the coin selector, be sure to turn OFF the main power switch and unplug the power cord from the receptacle.
- When replacing parts, be sure to use parts of the correct specifications. Never use parts other than the specified ones.
- Never disassemble, repair or modify any section other than those specified in this manual.

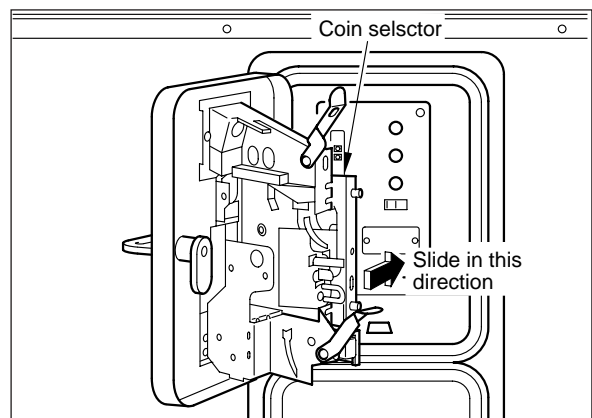
**1** Be sure to turn OFF the main power switch and unplug the power cord from the receptacle.

**2** Open the maintenance door.

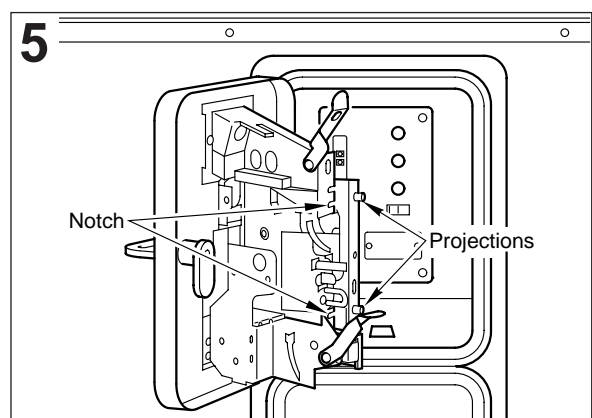
**3** Release the levers that fix the coin selector. See at right.



**4** Slide the coin selector to the right, and take it out.



**5** **To reattach the coin selector**  
Fit the 2 projections of the coin selector to their mating notches.



**6** Lock the levers (in Step 3 above) again, and close the maintenance door.

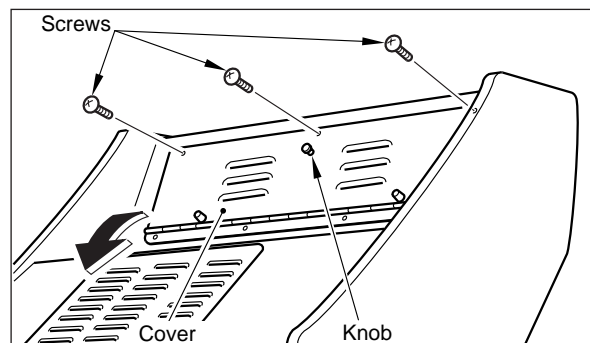
## 7-2 Replacing the fluorescent light

### ■ How to replace the fluorescent light

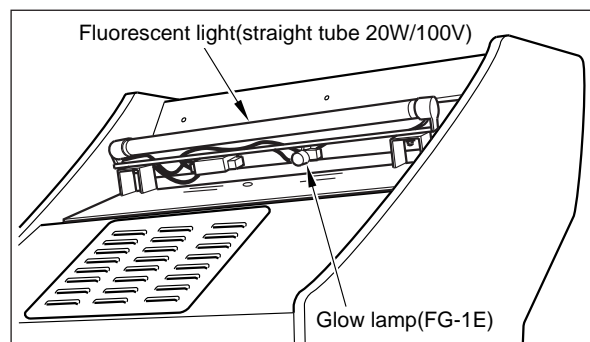


- Before replacing the fluorescent light, be sure to turn OFF the main power switch and unplug the power cord from the receptacle.
- Open and close the fluorescent light cover gently.
- The fluorescent light is hot just after the power switch is turned off. Wait until it cools down and then replace it with a new one of the same type (straight tube 20W / 100V).
- When replacing parts, be sure to use parts of the correct specifications. Never use parts other than the specified ones.
- Never disassemble, repair or modify any section other than those specified in this manual.

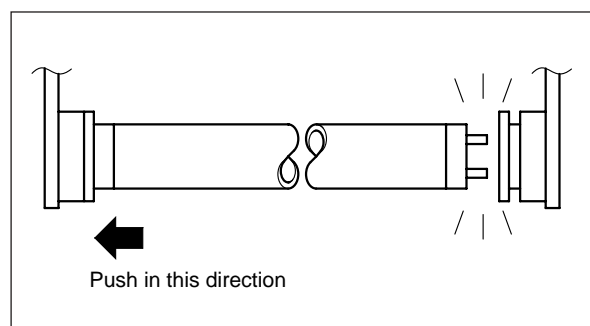
- 1** Be sure to turn OFF the main power switch and unplug the power cord from the receptacle.



- 2** Remove the screws off the back cover, and hold the knob and gently open the cover.



- 3** Push one end of the fluorescent light in the direction of the socket. The other end of the fluorescent light will be detached from the opposite socket.



- 4** Install a new fluorescent light in the reverse order and close the cover.

- It is recommended to replace the glow lamp at the same time.

**MEMO**

## 7-3 Replacing the start button

### ■ How to replace the start button



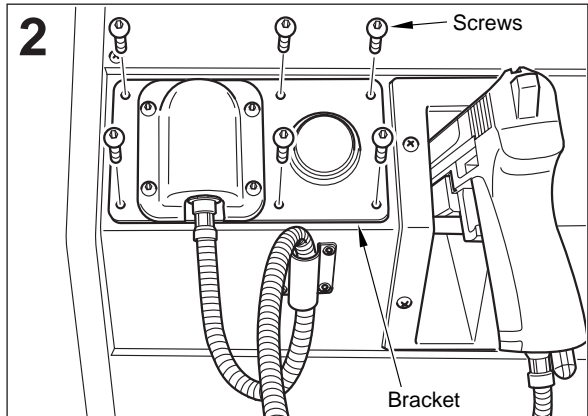
- Before replacing the start button, be sure to turn **OFF** the main power switch and unplug the power cord from the receptacle.
- When replacing parts, be sure to use parts of the correct specifications. Never use parts other than the specified ones.
- Never disassemble, repair or modify any section other than those specified in this manual.

**1** Be sure to turn OFF the main power switch and unplug the power cord from the receptacle.

**2** Remove the screws and detach the bracket.

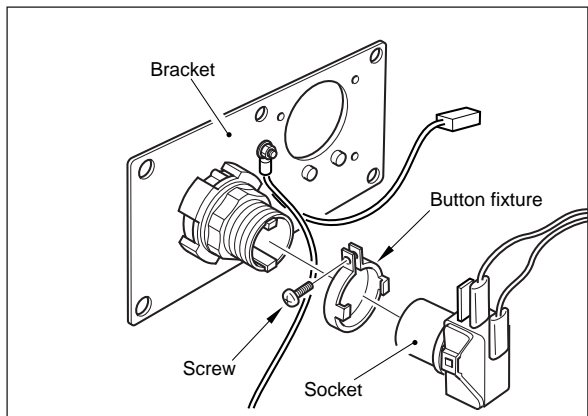
• Be careful not to pull the gun cable located behind the bracket.

### MEMO



**3** Remove the screw off the button fixture that fixes the button and socket together. Take out the button fixture.

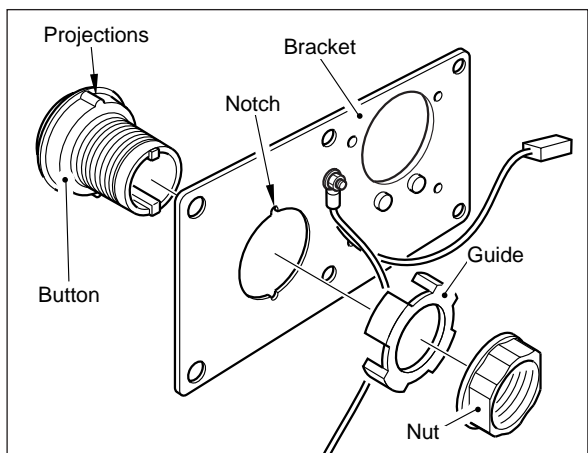
**4** Draw the socket from the button.



**5** Loosen the nut and separate the button.

**6** **To fit the button again**  
Fit the projection of the button to its mating notch of the bracket.

**7** In reassembling the parts, take the reverse order. Pay attention to the socket's direction.





## 7-4 Replacing the gun unit

### ■ How to remove the gun unit



- Before replacing the gun unit, be sure to turn OFF the main power switch and unplug the power cord from the receptacle.
- After the gun unit has been repaired or replaced, reposition the target points referring to “CALIBRATION” on page 22.
- When replacing parts, be sure to use parts of the correct specifications. Never use parts other than the specified ones.
- Never disassemble, repair or modify any section other than those specified in this manual.

**1** Be sure to turn OFF the main power switch and unplug the power cord from the receptacle.

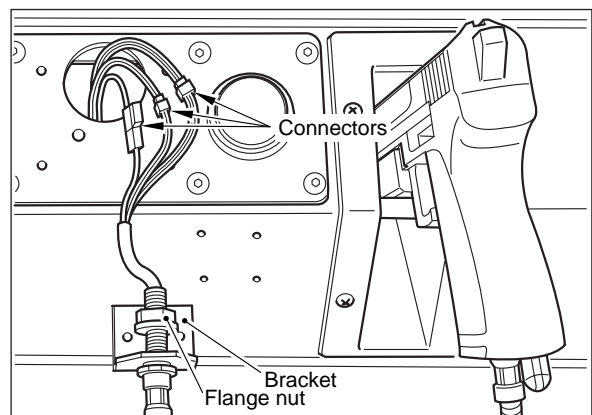
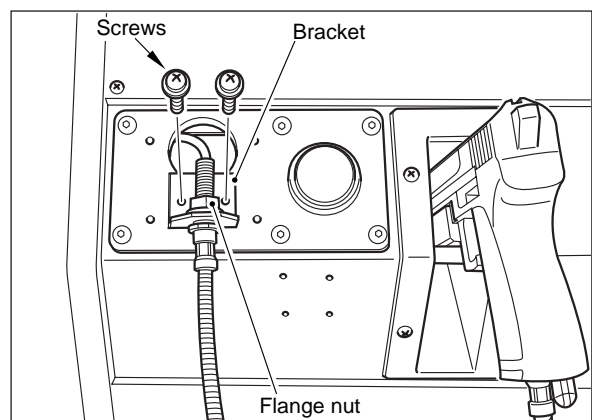
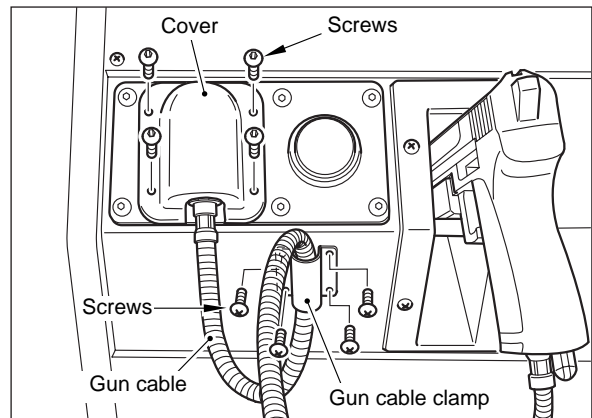
**2** Remove the screws and detach the gun cable clamp.

**3** Remove the screws and detach the gun cable connection cover.

**4** Loosen the flange nut off the gun cable, and remove the screws off the bracket.

**5** Detach the bracket and pull out the connectors.

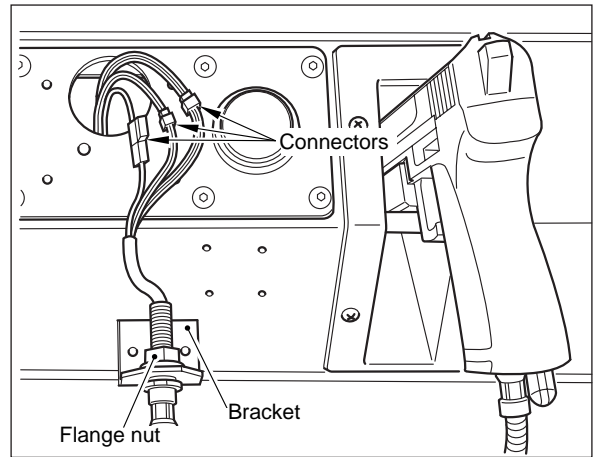
**6** Disconnect the connectors, remove the flange nut and take the gun cable from the bracket.



■ How to set up the gun unit — — — — —

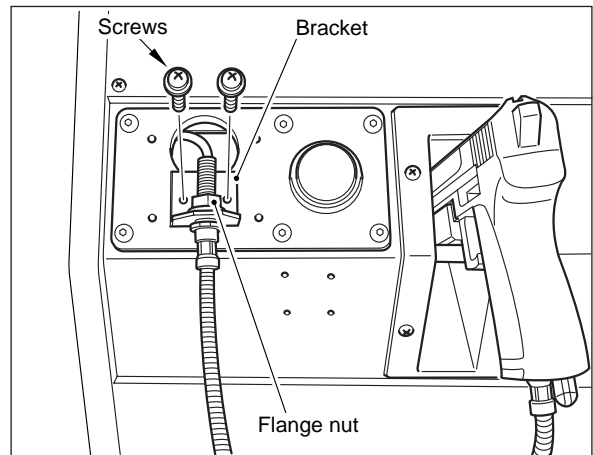
**1** | Pass the gun cable through the bracket. Apply and lightly tighten the flange nut.

**2** | Reconnect the gun cable connectors.



**3** | Fix the bracket with the screws and tighten up the flange nut.

**4** | Mount the cover and the gun cable clamp into position.



**5** | Check the PCB settings, referring to “5-1 PCB start-up check (self-test)” on page 14. Check the gun performance, referring to “I/O CHECK” and position the guns’ target points, referring to “CALIBRATION” on page 22.

## 7-5 Resetting the circuit protector

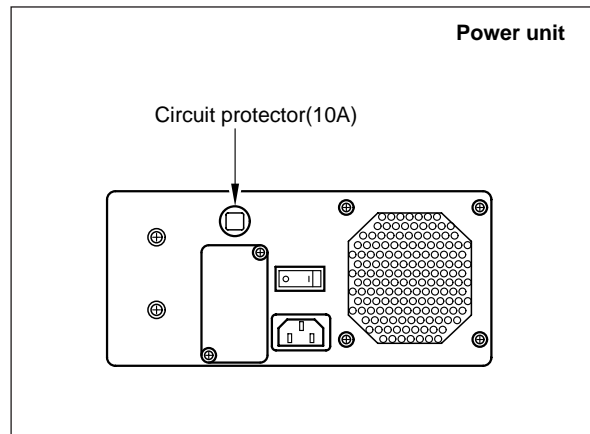
### ■ How to reset the circuit protector —————

If an overcurrent or short circuit occurs, the circuit protector will be automatically actuated to protect the electric circuits of the game machine. When resetting the circuit protector, turn OFF the main power switch, unplug the power cord from the receptacle, eliminate the cause, and then press the button of the circuit protector.



- Before resetting the circuit protector, be sure to turn OFF the main power switch and unplug the power cord from the receptacle.
- If the circuit protector trips soon again, immediately turn OFF the main power switch, unplug the power cord, and contact your nearest dealer.
- The machine has some high-voltage parts inside. Only a qualified industry specialist is allowed to open the back door of the machine. With this back door open, be very careful not to touch unnecessary parts.
- If the machine is in abnormal conditions and does not operate normally, immediately turn OFF the power switch, unplug the power cord from the receptacle and contact your nearest dealer.

- 1 Be sure to turn OFF the main power switch and unplug the power cord from the receptacle.
- 2 Remove the cause of the trouble. Press the button on the circuit protector of the power unit.

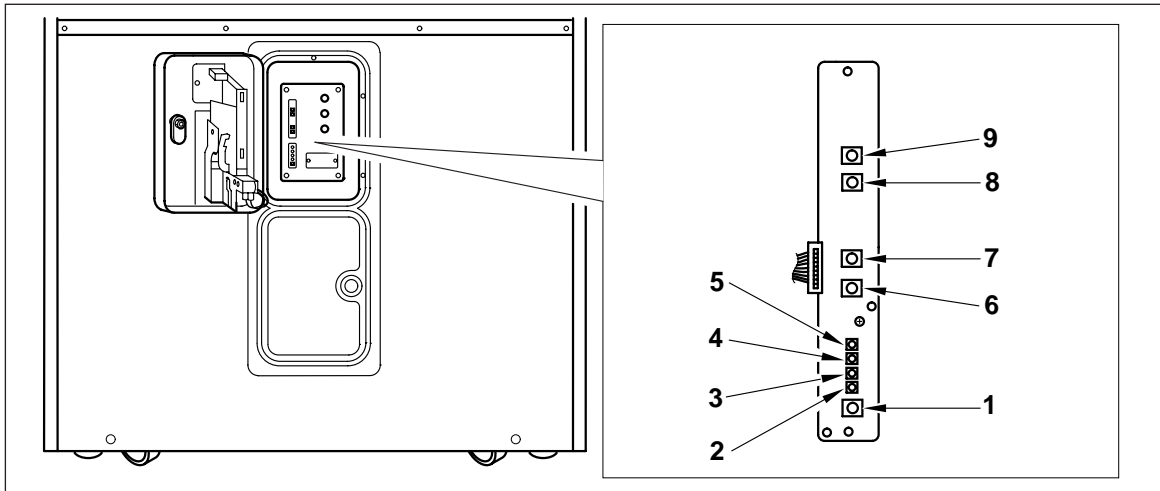


## 7-6 Adjusting the monitor

### ■ Monitor adjustment PCB

The monitor has already been adjusted at the time of shipment, but it may be readjusted as desired.

The monitor adjustment PCB is located inside the service panel. When adjusting the monitor, open the maintenance door. (See page 12)

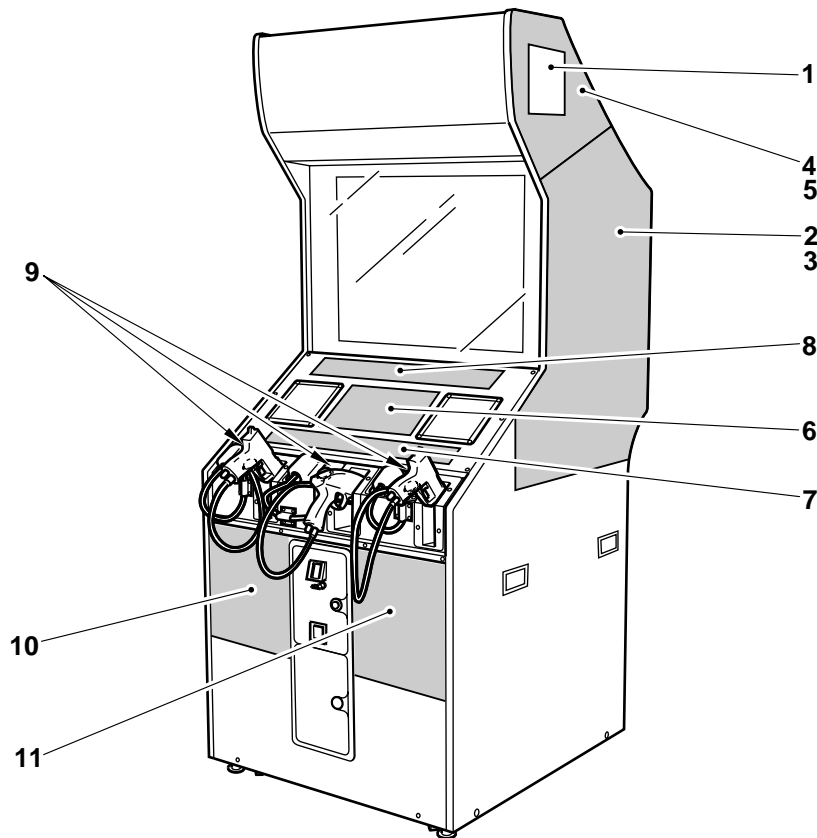


1	<b>CONTRAST</b>	<b>Contrast adjustment</b> Used to changes the contrast.
2	<b>R.GAIN</b>	<b>Red input gain adjustment</b> Changes red brightness. Turning it clockwise will make the red deeper.
3	<b>G.GAIN</b>	<b>Green input gain adjustment</b> Changes green brightness. Turning it clockwise will make the green deeper.
4	<b>B.GAIN</b>	<b>Blue input gain adjustment</b> Changes blue brightness. Turning it clockwise will make the blue deeper.
5	<b>BRIGHT</b>	<b>Brightness adjustment</b> Changes brightness. Turning it clockwise will make the image brighter.
6	<b>H.SIZE</b>	<b>Horizontal screen size adjustment</b> Changes the width of the screen.
7	<b>H.POSI</b>	<b>Horizontal image position adjustment</b> Changes the image position in the horizontal direction.
8	<b>V.SIZE</b>	<b>Vertical screen size adjustment</b> Changes the height of the screen.
9	<b>V.POSI</b>	<b>Vertical image position adjustment</b> Changes the image position in the vertical direction.

# 8 Annex

## 8-1 Label locations and exploded view

■ Label —————



No.	Code No.	Name	Quantity	Note
1	0000053902	LABEL, KONAMI / L	2	
2	0000053892	LABEL, SIDE A / L	1	
3	0000053893	LABEL, SIDE A / R	1	
4	0000053894	LABEL, SIDE B / L	1	
5	0000053895	LABEL, SIDE B / R	1	
6	0000055527	LABEL, INST A / TB	1	
7	0000055529	LABEL, INST B / TB	1	
8	0000055530	LABEL, INST C / TB	1	
9	0000055531	LABEL, START / TB	1 set	
10	0000053896	LABEL, FRONT / L	1	
11	0000053897	LABEL, FRONT / R	1	

**FIG.1 UNIT, CABINET(1/7)** —————

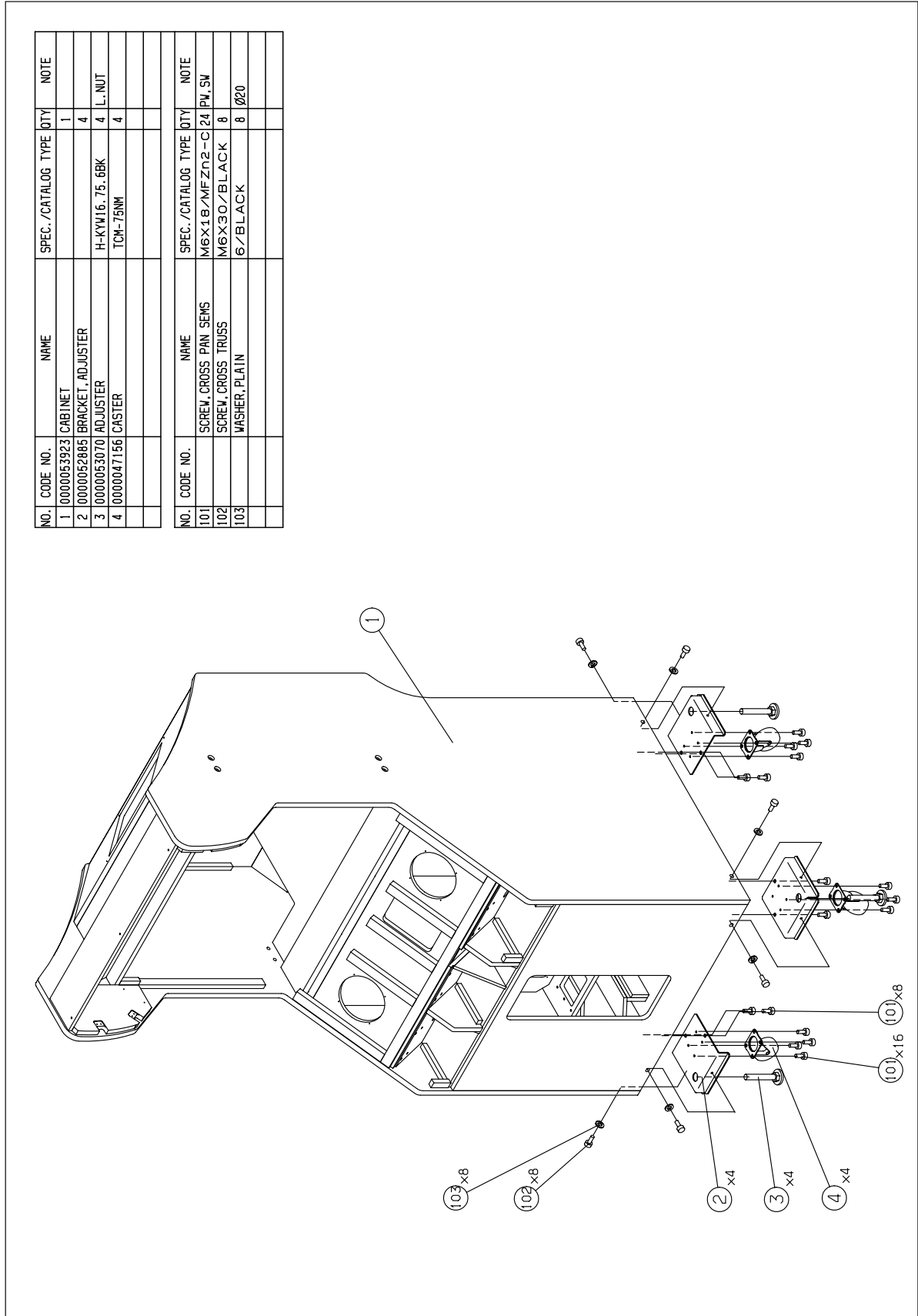
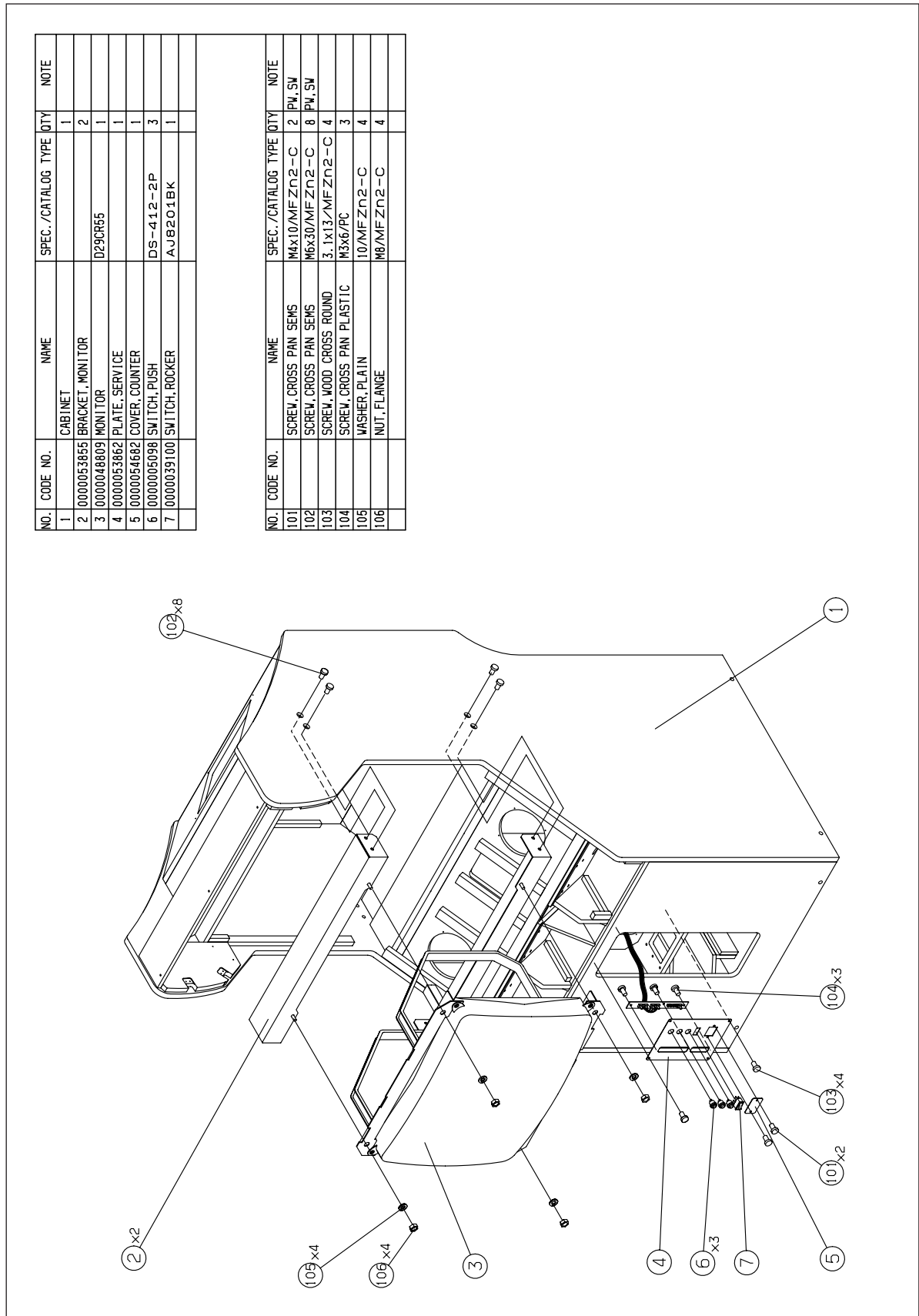


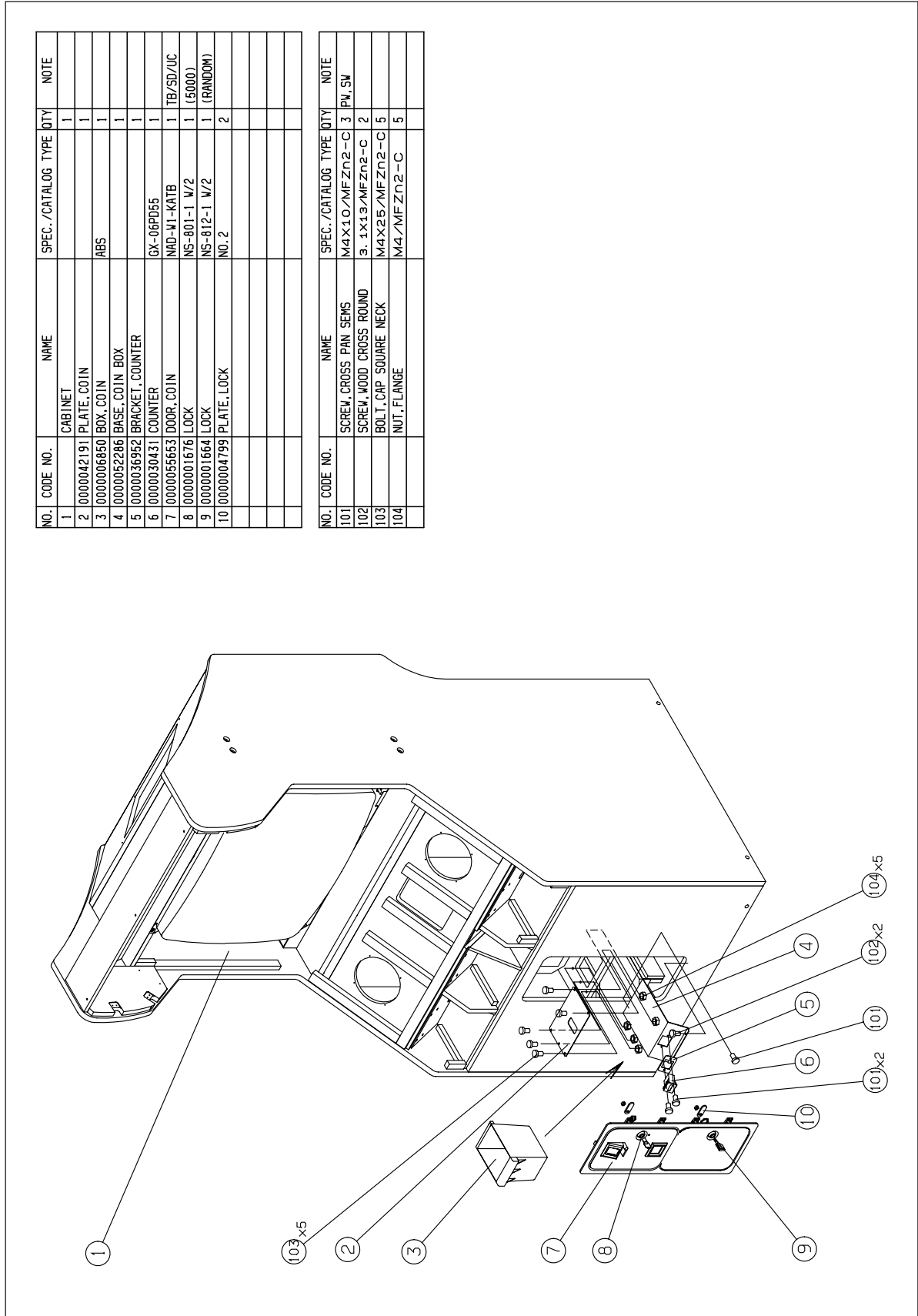
FIG.2 UNIT, CABINET(2/7)



NO.	CODE NO.	NAME	SPEC./CATALOG	TYPE	QTY	NOTE
1		CABINET			1	
2	10000053855	BRACKET, MONITOR			2	
3	10000048009	MONITOR	D29CR55		1	
4	10000053862	PLATE, SERVICE			1	
5	10000054682	COVER, COUNTER	DS-41.2-2P		3	
7	10000039100	SWITCH, ROCKER	AJ82D1BK		1	

NO.	CODE NO.	NAME	SPEC./CATALOG	TYPE	QTY	NOTE
101		SCREW, CROSS PAN SENS	M4x10/MFZN2-C		2	PW, SW
102		SCREW, CROSS PAN SENS	M6x30/MFZN2-C		8	PW, SW
103		SCREW, WOOD CROSS ROUND	3.1x13/MFZN2-C		4	
104		SCREW, CROSS PAN PLASTIC	M3x6/PC		3	
105		WASHER, PLAIN	10/MFZN2-C		4	
106		NUT, FLANGE	M8/MFZN2-C		4	

**FIG.3 UNIT, CABINET(3/7)**

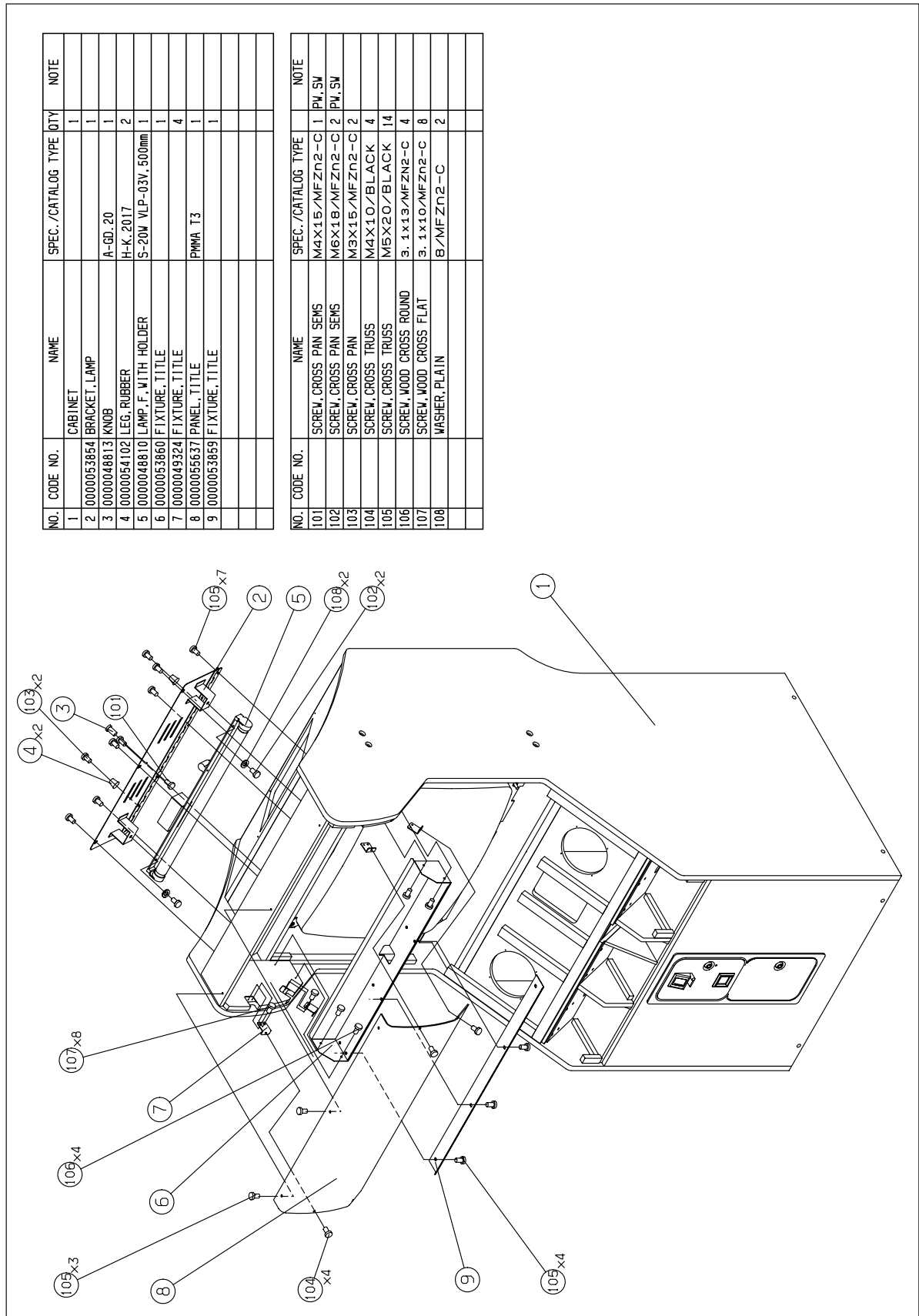


NO.	CODE NO.	NAME	SPEC./CATALOG	TYPE	QTY	NOTE
1		CABINET			1	
2	10000042191	PLATE, COIN			1	
3	10000006850	BOX, COIN	ABS		1	
4	10000052286	BASE, COIN BOX			1	
5	10000036952	BRACKET, COUNTER			1	
6	10000030431	COUNTER	GX-06PD55		1	
7	10000055653	DOOR, COIN	NAD-W1-KATB		1	TB/SD/UC
8	1000001676	LOCK	NS-801-1 W/2		1	(5000)
9	10000001664	LOCK	NS-812-1 W/2		1	(RANDOM)
10	10000004799	PLATE, LOCK	NO. 2		2	

NO.	CODE NO.	NAME	SPEC./CATALOG	TYPE	QTY	NOTE
101		SCREW, CROSS PAN SEMS	M4X10/MFZN2-C		3	PN, SW
102		SCREW, WOOD CROSS ROUND	3. 1X13/MFZN2-C		2	
103		BOLT, CAP SQUARE NECK	M4X25/MFZN2-C		5	
104		NUT, FLANGE	M4/MFZN2-C		5	



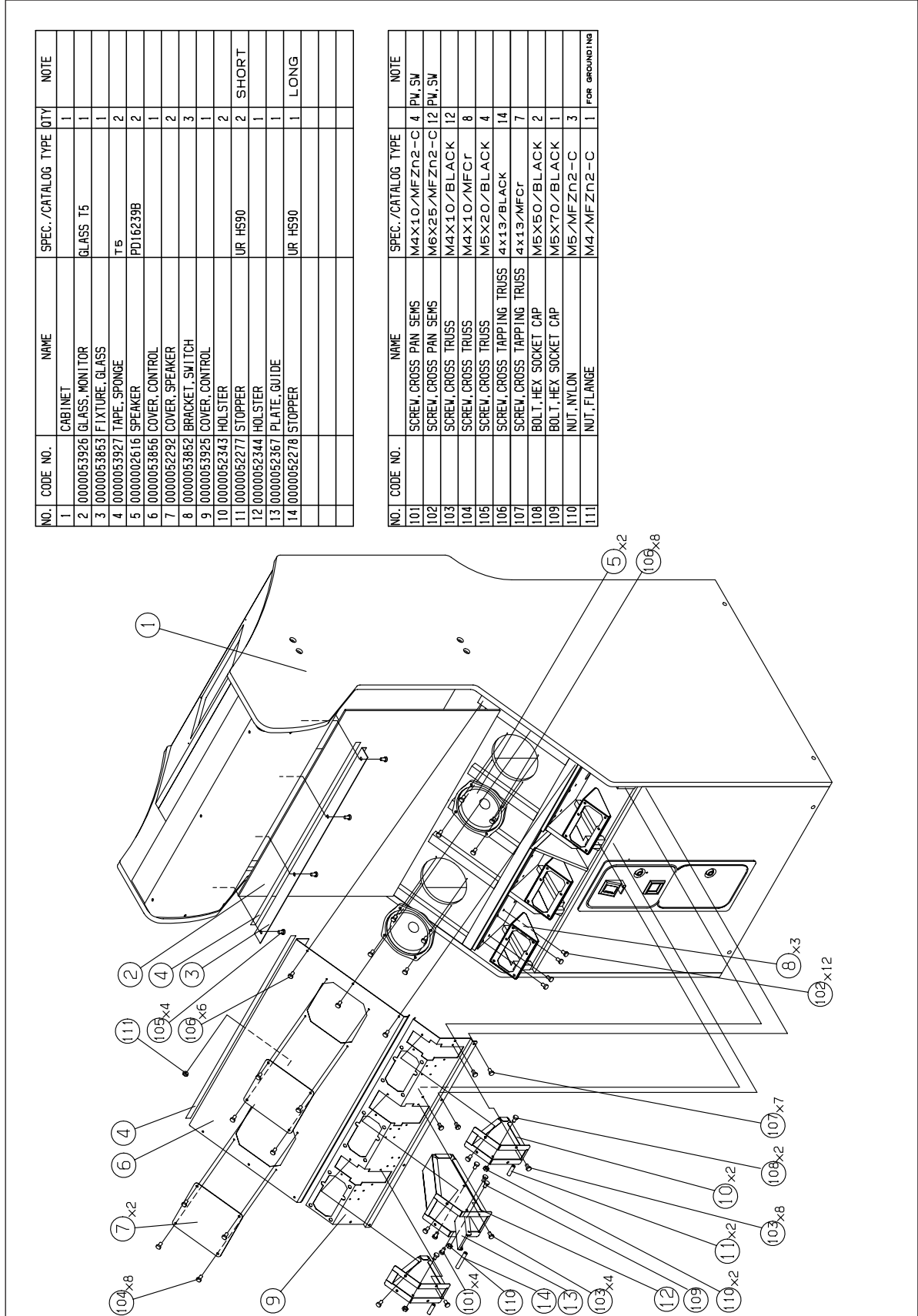
FIG.4 UNIT, CABINET(4/7)



NO.	CODE NO.	NAME	SPEC./CATALOG	TYPE	QTY	NOTE
1		CABINET			1	
2	0000053854	BRACKET, LAMP			1	
3	0000048813	KNOB	A-QD-20		1	
4	0000054102	LEG, RUBBER	H-K, 2017		2	
5	0000048810	LAMP, F. WITH HOLDER	S-20W VLP-03V, 500mm		1	
6	0000053860	FIXTURE, TITLE			1	
7	0000049324	FIXTURE, TITLE			4	
8	0000055637	PANEL, TITLE	PMMA T3		1	
9	0000053859	FIXTURE, TITLE			1	

NO.	CODE NO.	NAME	SPEC./CATALOG	TYPE	NOTE
101		SCREW, CROSS PAN SEMS	M4X15/MFZN2-C	1	1P, SW
102		SCREW, CROSS PAN SEMS	M6X18/MFZN2-C	2	1P, SW
103		SCREW, CROSS PAN	M3X15/MFZN2-C	2	
104		SCREW, CROSS TRUSS	M4X10/BLACK	4	
105		SCREW, CROSS TRUSS	M5X20/BLACK	14	
106		SCREW, WOOD CROSS ROUND	3.1X19/MFZN2-C	4	
107		SCREW, WOOD CROSS FLAT	3.1X10/MFZN2-C	8	
108		WASHER, PLAIN	B/MFZN2-C	2	

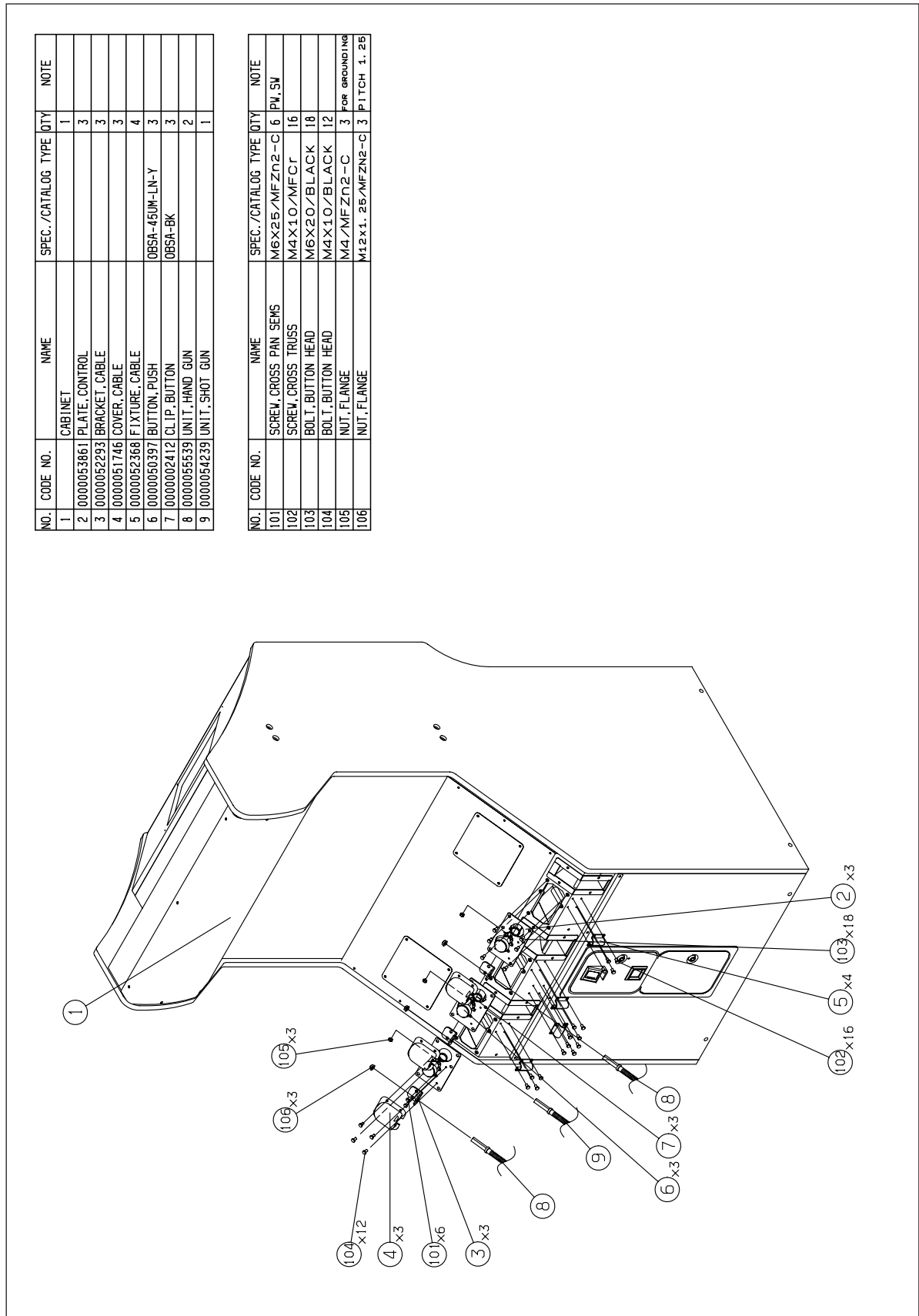
**FIG.5 UNIT, CABINET(5/7)**



NO.	CODE NO.	NAME	SPEC./CATALOG	TYPE	QTY	NOTE
1		CABINET			1	
2	10000053926	GLASS, MONITOR	GLASS	T5	1	
3	10000053853	FIXTURE, GLASS			1	
4	10000053927	TAPE, SPONGE	T5		2	
5	10000002616	SPEAKER	PD16239B		2	
6	10000053856	COVER, CONTROL			1	
7	10000052292	COVER, SPEAKER			2	
8	10000053852	BRACKET, SWITCH			3	
9	10000053925	COVER, CONTROL			1	
10	10000052343	HOLSTER			2	
11	10000052277	STOPPER	UR H590		2	SHORT
12	10000052344	HOLSTER			1	
13	10000052367	PLATE, GUIDE			1	
14	10000052278	STOPPER	UR H590		1	LONG

NO.	CODE NO.	NAME	SPEC./CATALOG	TYPE	NOTE
101		SCREW, CROSS PAN SEMS	M4X10/MFZN2-C		4 PV, SW
102		SCREW, CROSS PAN SEMS	M6X25/MFZN2-C		12 PV, SW
103		SCREW, CROSS TRUSS	M4X10/BLACK		12
104		SCREW, CROSS TRUSS	M4X10/MFCr		8
105		SCREW, CROSS TRUSS	M5X20/BLACK		4
106		SCREW, CROSS TAPPING TRUSS	4x13/BLACK		14
107		SCREW, CROSS TAPPING TRUSS	4x13/MFCr		7
108		BOLT, HEX SOCKET CAP	M5X50/BLACK		2
109		BOLT, HEX SOCKET CAP	M5X70/BLACK		1
110		NUT, NYLON	M5/MFZN2-C		3
111		NUT, FLANGE	M4/MFZN2-C		1 FOR GROUNDING

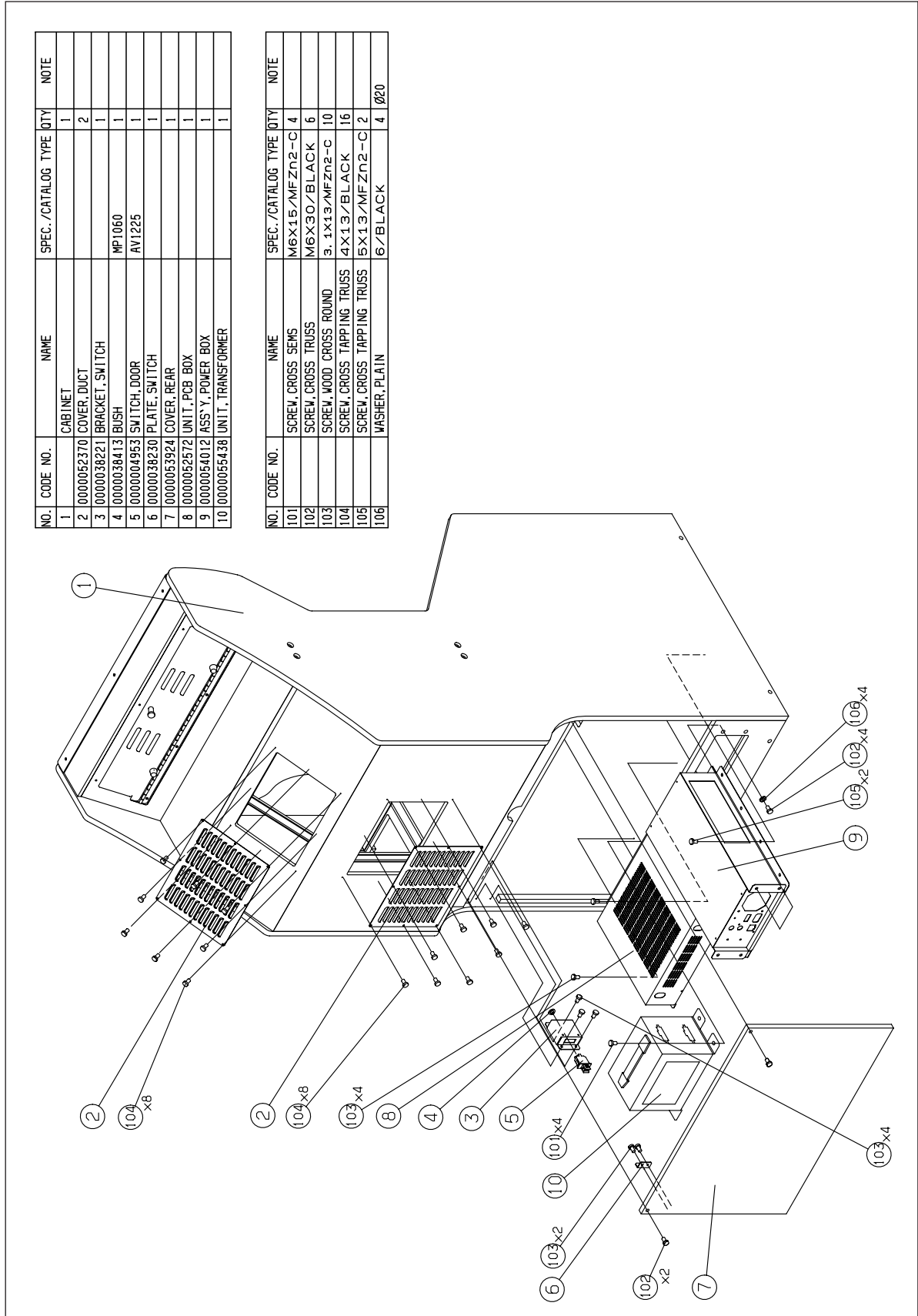
**FIG.6 UNIT, CABINET(6/7)**



NO.	CODE NO.	NAME	SPEC./CATALOG	TYPE	QTY	NOTE
1		CABINET			1	
2	10000053861	PLATE, CONTROL			3	
3	10000052293	BRACKET, CABLE			3	
4	10000051746	COVER, CABLE			3	
5	10000052368	FIXTURE, CABLE			4	
6	10000050397	BUTTON, PUSH	OB5A-45UM-LN-Y		3	
7	10000002412	CLIP, BUTTON	OB5A-BK		3	
8	10000055539	UNIT, HAND GUN			2	
9	10000054239	UNIT, SHOT GUN			1	

NO.	CODE NO.	NAME	SPEC./CATALOG	TYPE	QTY	NOTE
101		SCREW, CROSS PAN SEMS	M6X25/MFZN2-C		6	PH, SW
102		SCREW, CROSS TRUSS	M4X10/MFCr		16	
103		BOLT, BUTTON HEAD	M6X20/BLACK		18	
104		BOLT, BUTTON HEAD	M4X10/BLACK		12	
105		NUT, FLANGE	M4/MFZN2-C		3	FOR GROUNDING
106		NUT, FLANGE	M4x1.25/MFZN2-C		3	PITCH 1.25

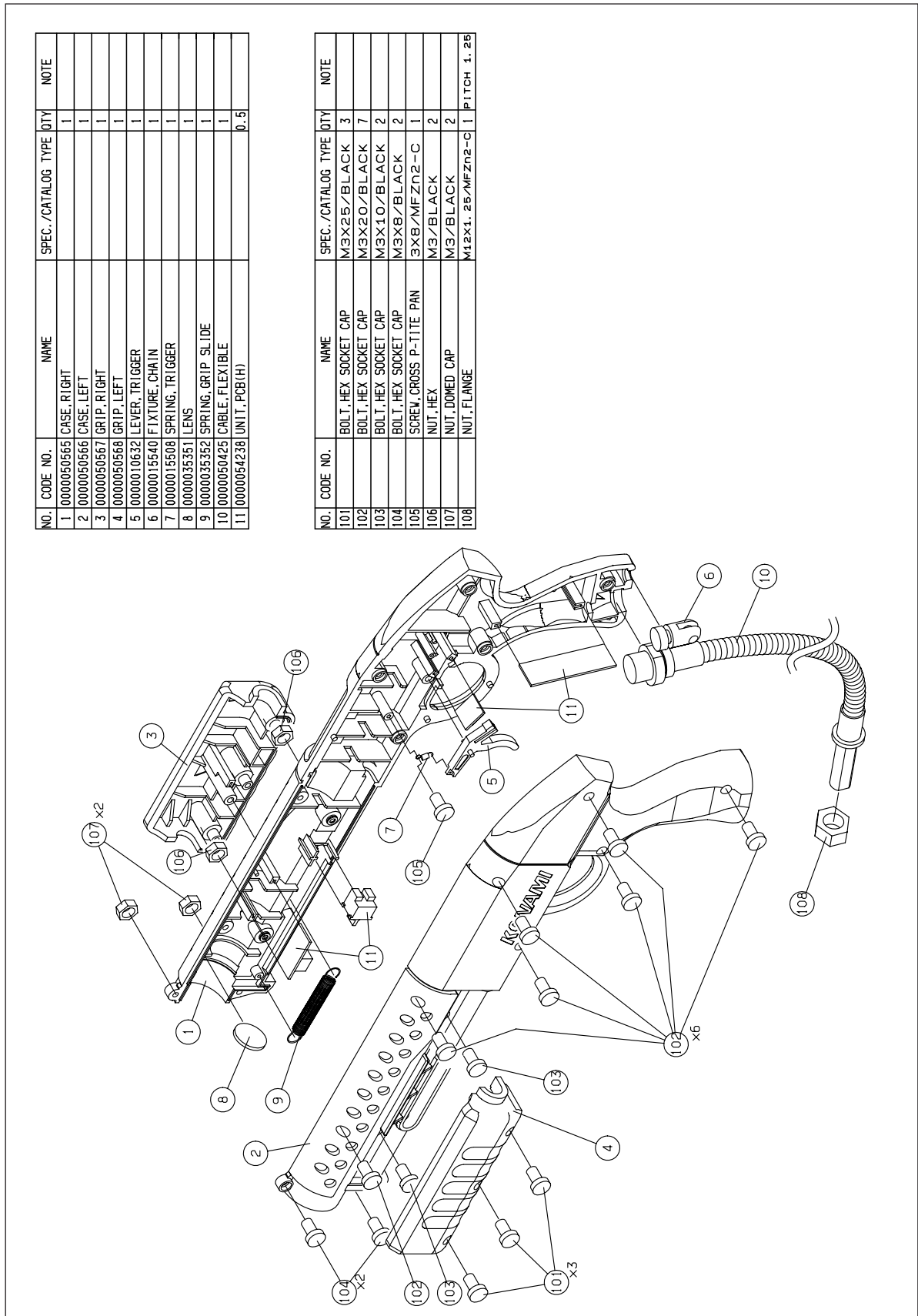
**FIG.7 UNIT, CABINET(7/7)**



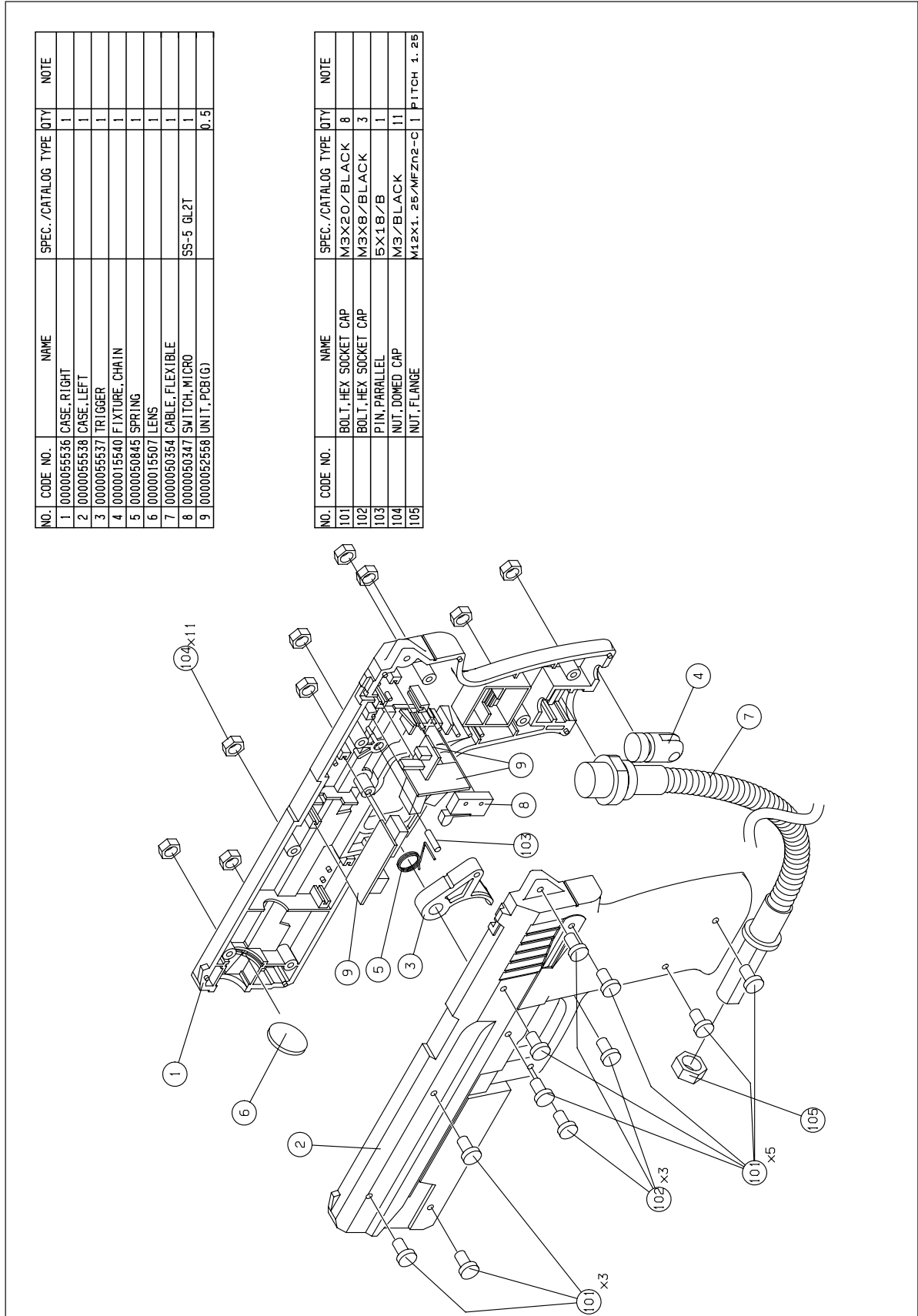
NO.	CODE NO.	NAME	SPEC./CATALOG	TYPE	QTY	NOTE
1		CABINET			1	
2	0000082370	COVER, DUCT			2	
3	0000038221	BRACKET, SWITCH			1	
4	0000038413	BUSH	MP1060		1	
5	0000004953	SWITCH, DOOR	AV1225		1	
6	0000038230	PLATE, SWITCH			1	
7	0000053924	COVER, REAR			1	
8	0000054012	ASSY, POWER BOX			1	
9	0000055438	UNIT, TRANSFORMER			1	

NO.	CODE NO.	NAME	SPEC./CATALOG	TYPE	QTY	NOTE
101		SCREW, CROSS SEWS	M6X15/MFZN2-C		4	
102		SCREW, CROSS TRUSS	M6X30/BLACK		6	
103		SCREW, WOOD CROSS ROUND	3. 1X13/MFZN2-C		10	
104		SCREW, CROSS TAPPING TRUSS	4X13/BLACK		16	
105		SCREW, CROSS TAPPING TRUSS	5X13/MFZN2-C		2	
106		WASHER, PLAIN	6/BLACK		4	ø20

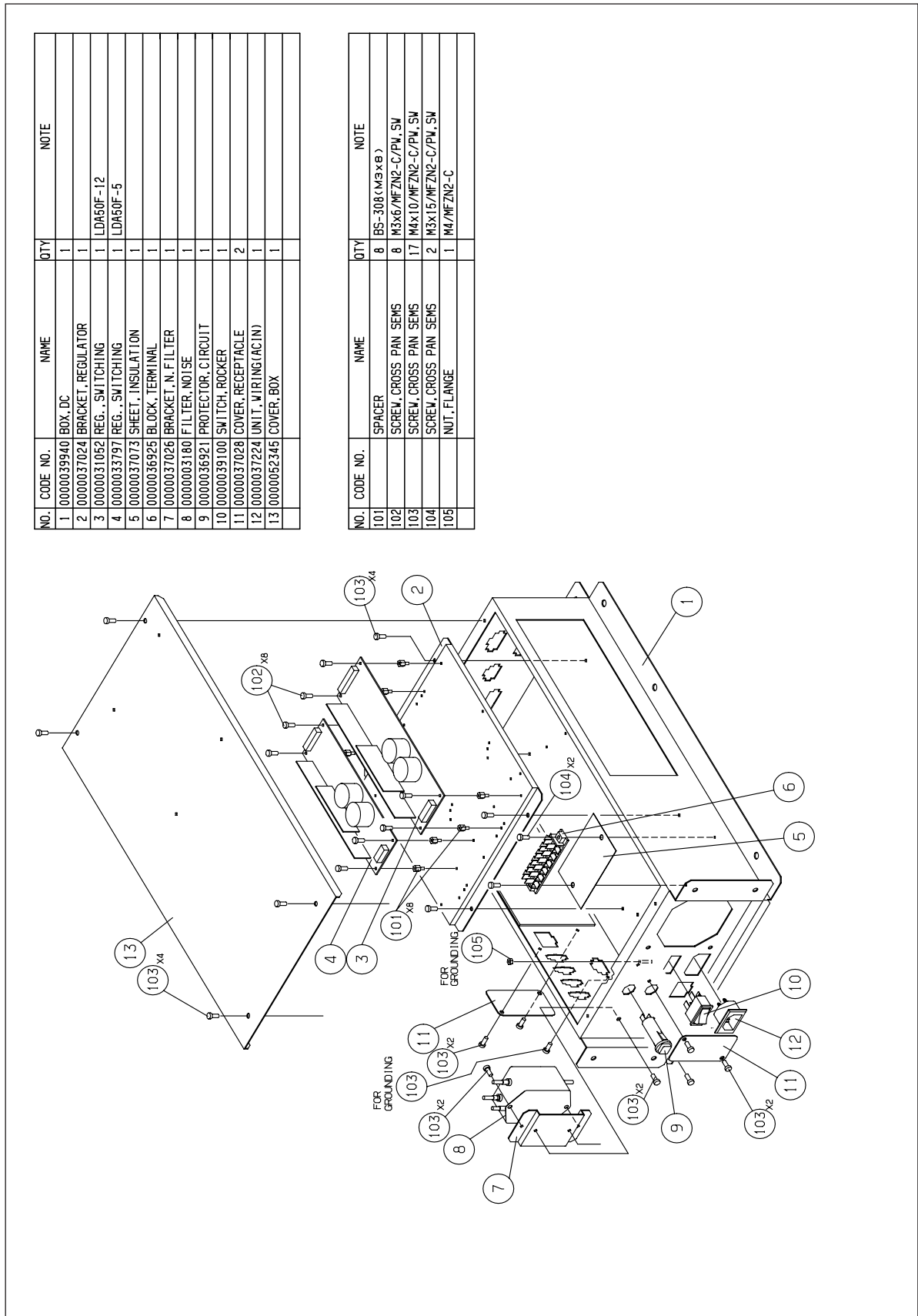
**FIG.8 UNIT, SHOT GUN**



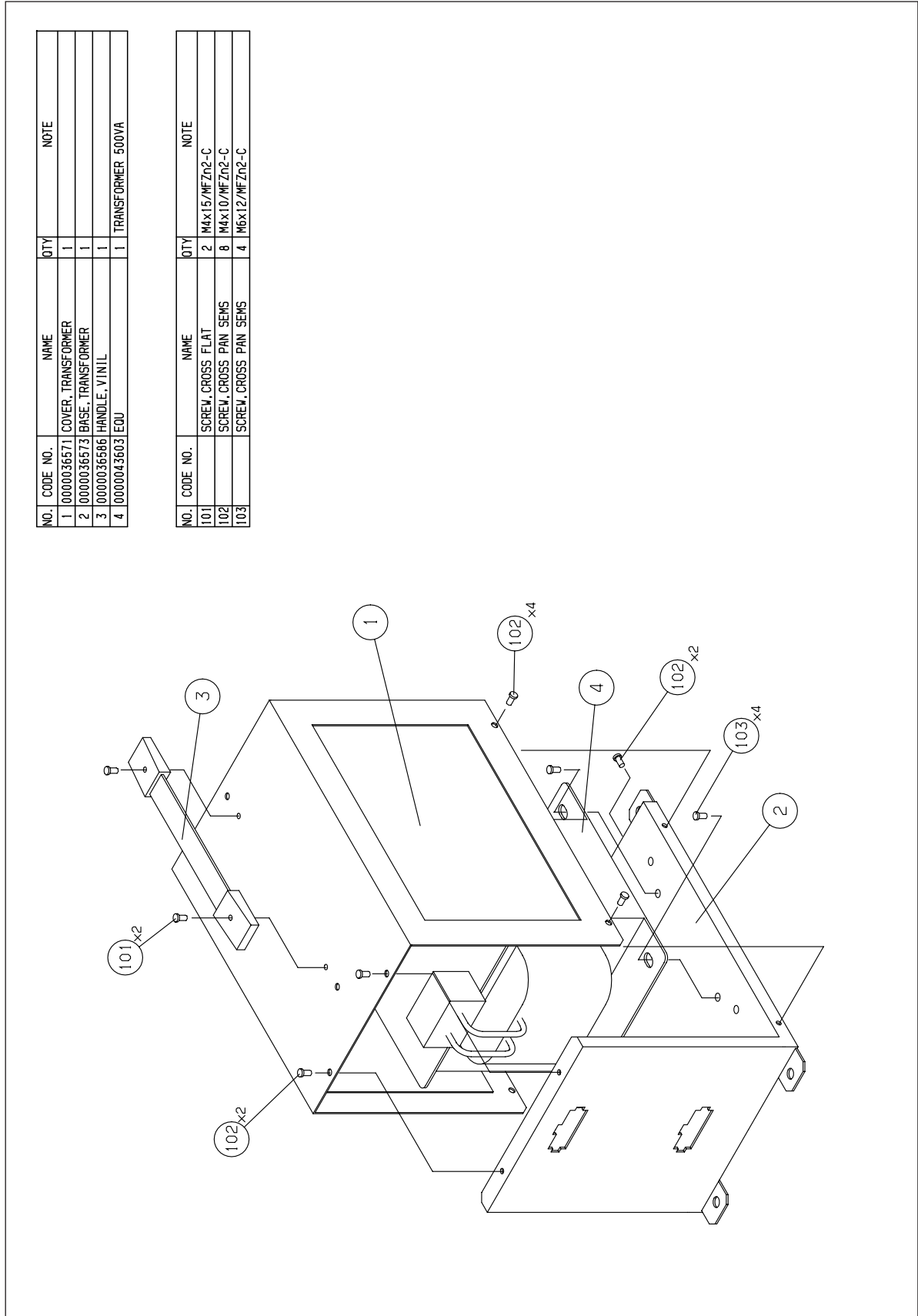
**FIG.9 UNIT, HAND GUN**



**FIG.10 ASS'Y POWER BOX**

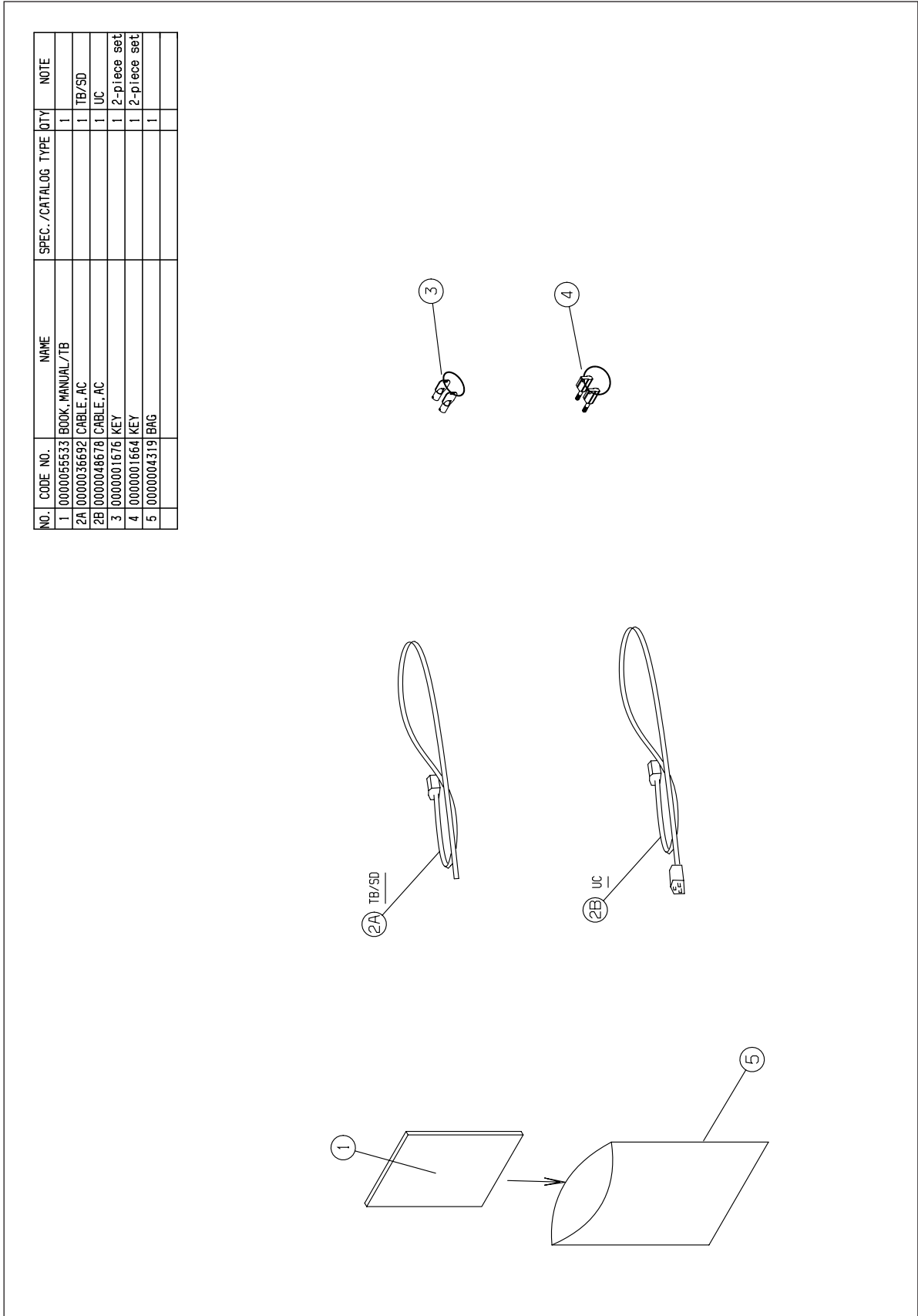


**FIG.11 UNIT, TRANSFORMER** ———





**FIG.12 UNIT, ATTACHMENT** - - - - -



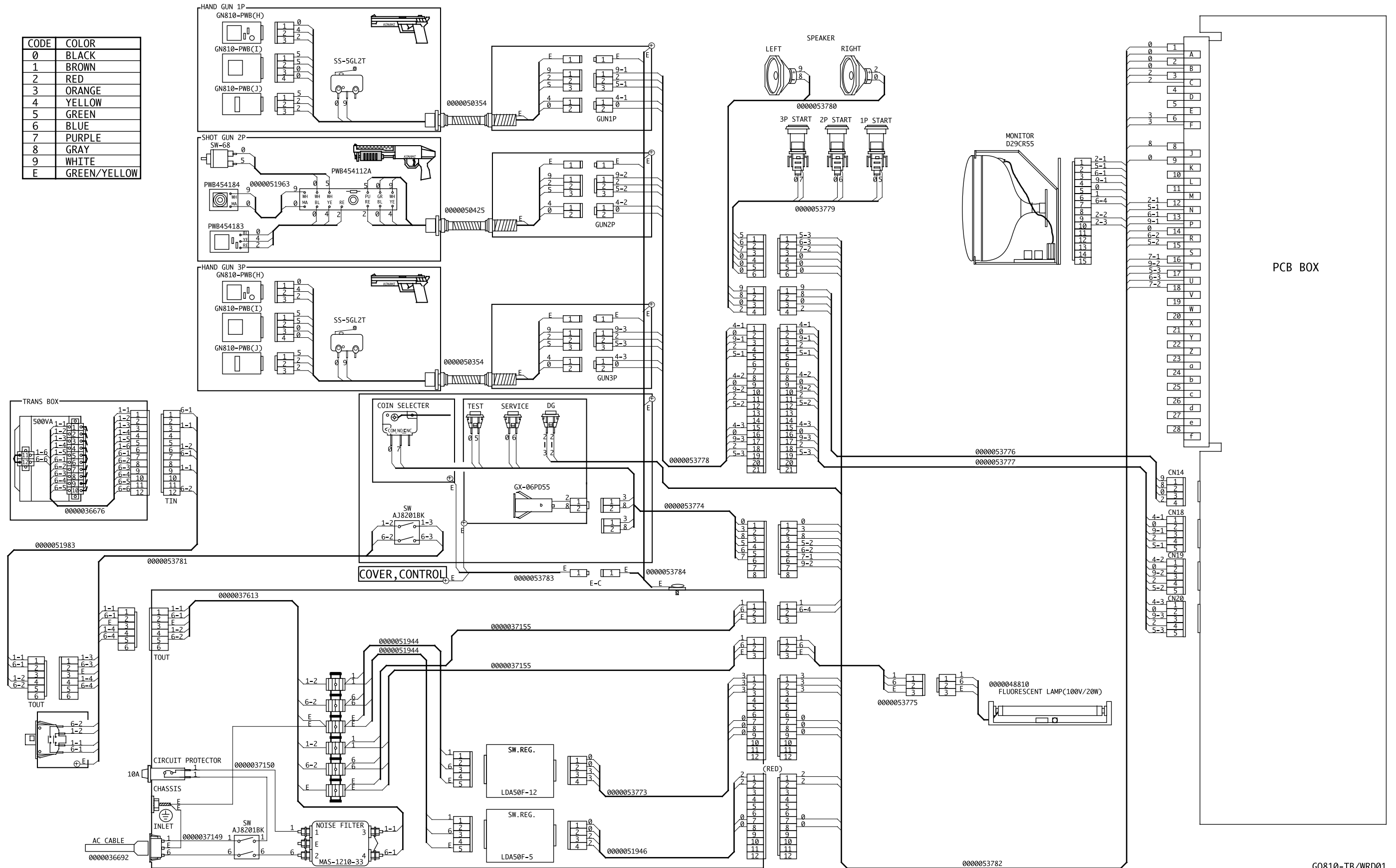
# MEMO

---

# 8-2 Wiring diagram

GQ810-TB specifications for regions using 110 voltage area in Asia.

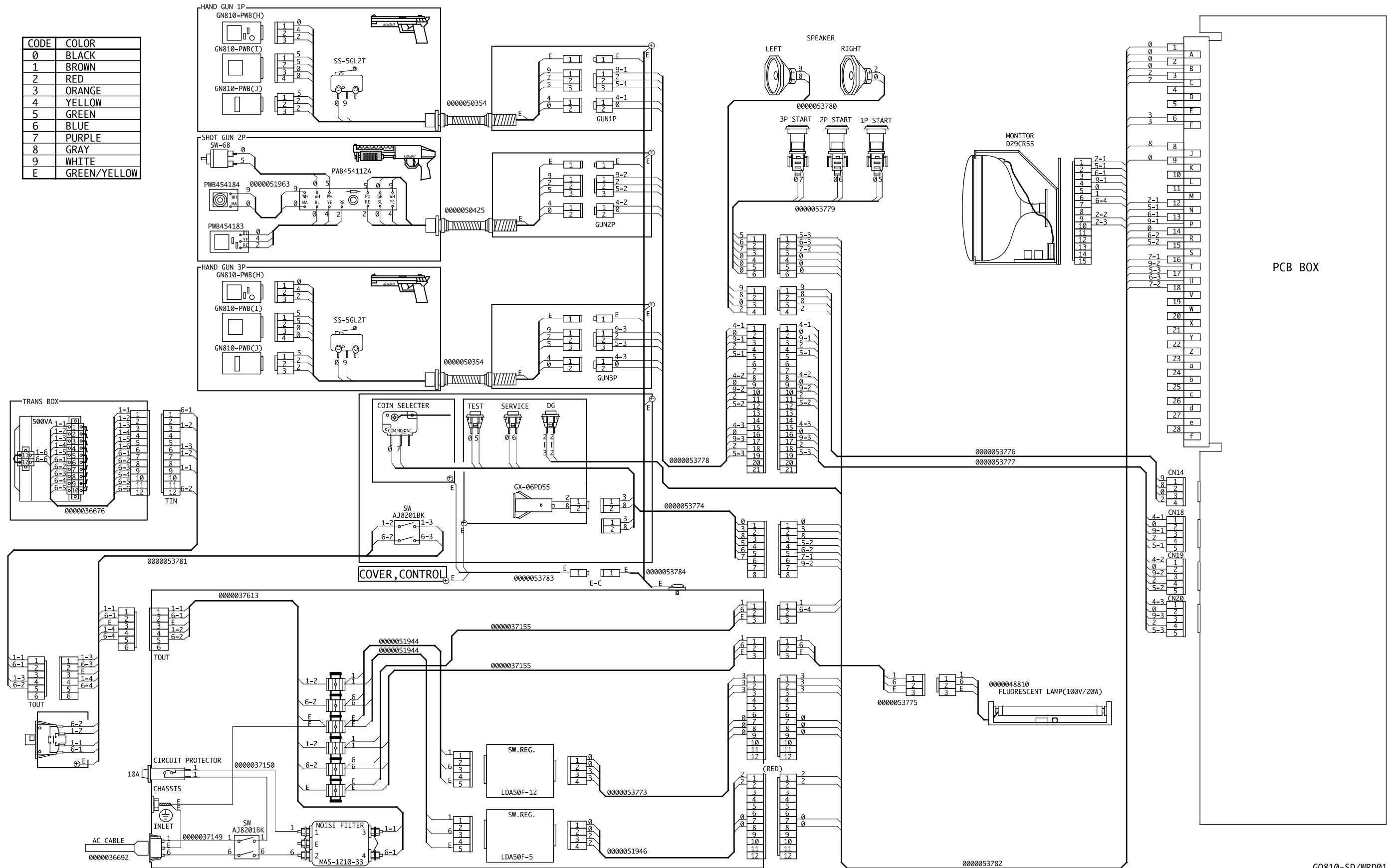
CODE	COLOR
0	BLACK
1	BROWN
2	RED
3	ORANGE
4	YELLOW
5	GREEN
6	BLUE
7	PURPLE
8	GRAY
9	WHITE
E	GREEN/YELLOW



# Wiring diagram

GQ810-SD specifications for regions using 220 voltage area in Asia.

CODE	COLOR
0	BLACK
1	BROWN
2	RED
3	ORANGE
4	YELLOW
5	GREEN
6	BLUE
7	PURPLE
8	GRAY
9	WHITE
E	GREEN/YELLOW



# Wiring diagram

GQ810-UC specifications for regions using 120 voltage area in the U.S.A..

CODE	COLOR
0	BLACK
1	BROWN
2	RED
3	ORANGE
4	YELLOW
5	GREEN
6	BLUE
7	PURPLE
8	GRAY
9	WHITE
E	GREEN/YELLOW

