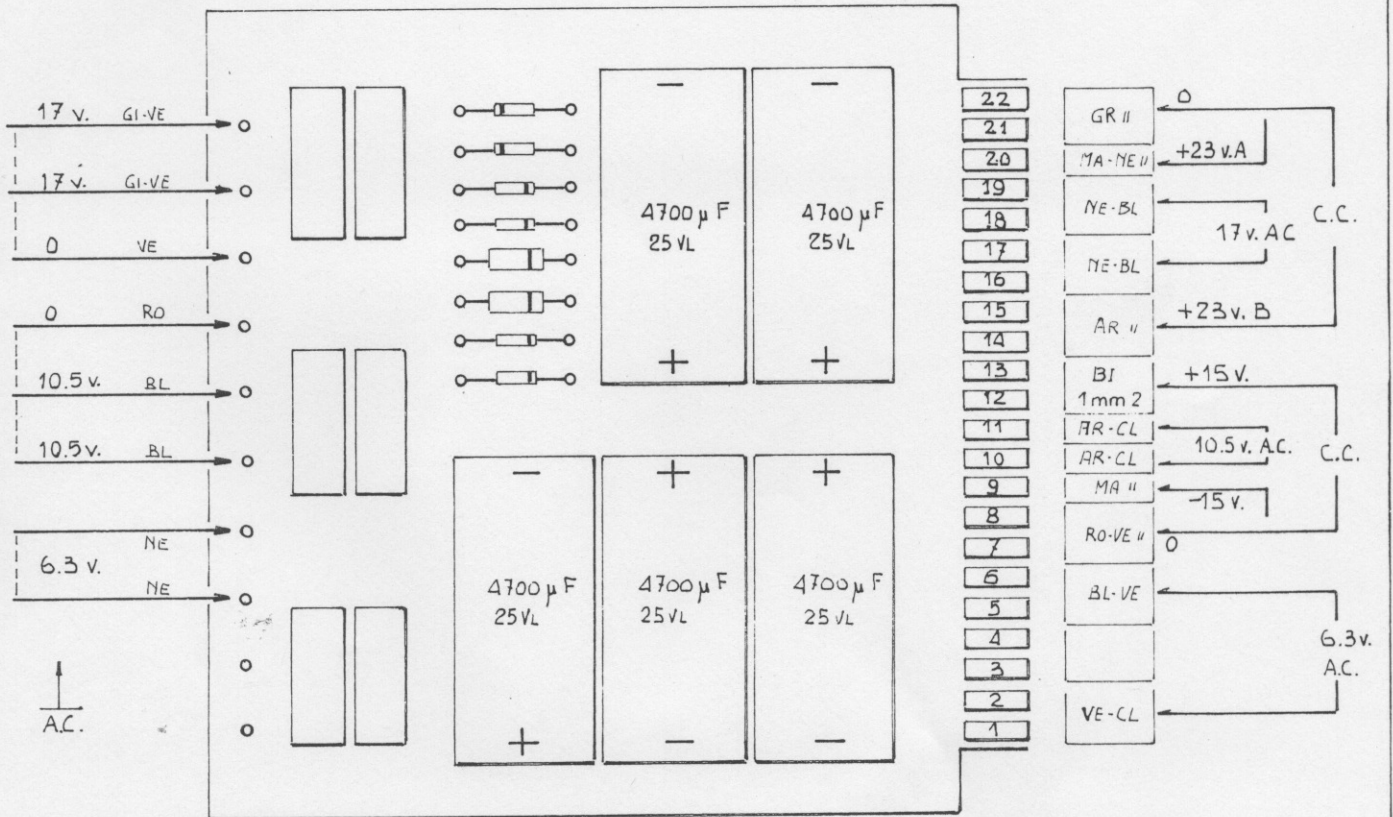
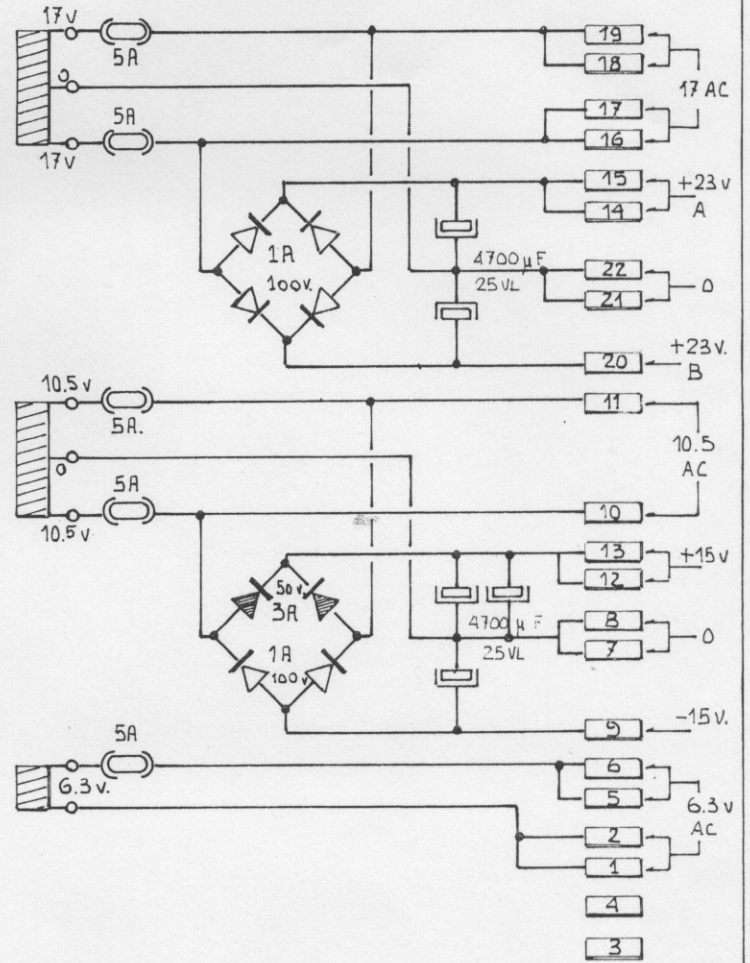
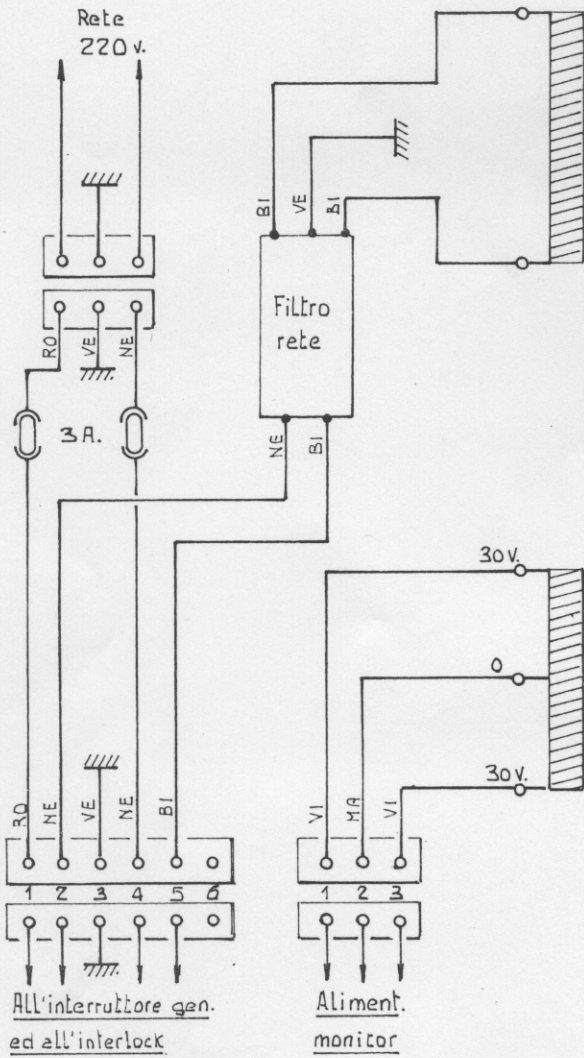
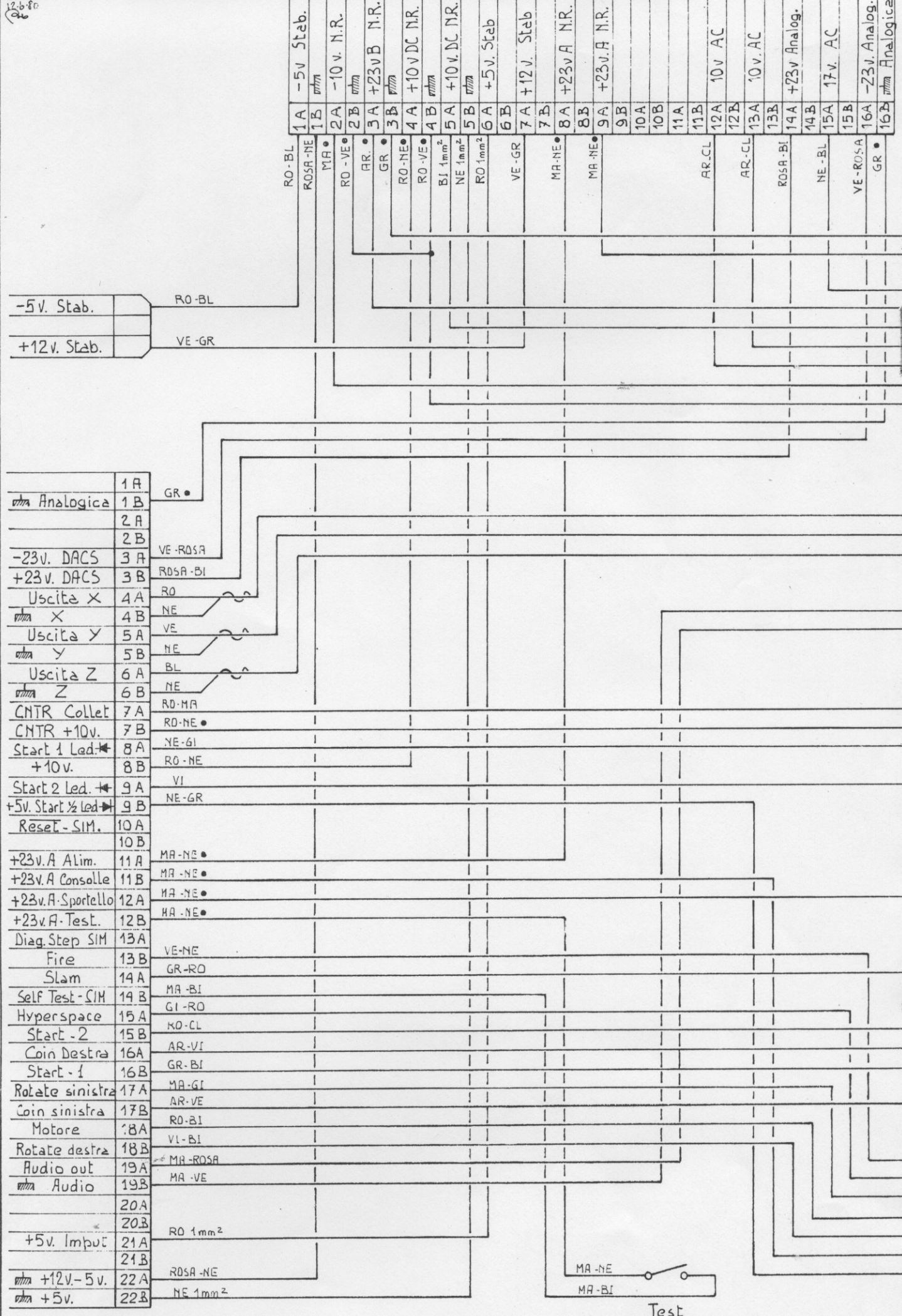


SCHEMA ALIMENTATORE 10507

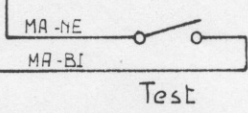


Sidam
22-80



	1A	
Analogica	1B	GR •
	2A	
	2B	
-23v. DACS	3A	VE-ROSA
+23v. DACS	3B	ROSA-BI
Uscita X	4A	RO
X	4B	NE
Uscita Y	5A	VE
Y	5B	NE
Uscita Z	6A	BL
Z	6B	NE
CNTR Collet	7A	RO-MR
CNTR +10v.	7B	RO-NE •
Start 1 Led. ←	8A	NE-GI
+10v.	8B	RO-NE
Start 2 Led. ←	9A	VI
+5v. Start ½ Led. →	9B	NE-GR
Reset - SIM.	10A	
	10B	
+23v. A Alim.	11A	MA-NE •
+23v. A Consolle	11B	MA-NE •
+23v. A Sportello	12A	MA-NE •
+23v. A Test.	12B	MA-NE •
Diag. Step SIM	13A	
Fire	13B	VE-NE
Slam	14A	GR-RO
Self Test - SIM	14B	MA-BI
Hyperspace	15A	GI-RO
Start - 2	15B	RO-CL
Coin Destra	16A	AR-VI
Start - 1	16B	GR-BI
Rotate sinistra	17A	MA-GI
Coin sinistra	17B	AR-VE
Motore	18A	RO-BI
Rotate destra	18B	VI-BI
Audio out	19A	MA-ROSA
Audio	19B	MA-VE
	20A	
	20B	
+5v. Input	21A	RO 1mm ²
	21B	
+12v. -5v.	22A	ROSA-NE
+5v.	22B	NE 1mm ²

1A	-5v Stab.
1B	
2A	-10v. N.R.
2B	
3A	+23vB N.R.
3B	
4A	+10v DC N.R.
4B	
5A	+10v DC N.R.
5B	
6A	+5v Stab
6B	
7A	+12v Stab
7B	
8A	+23vA N.R.
8B	
9A	+23vA N.R.
9B	
10A	
10B	
11A	
11B	
12A	10v AC
12B	
13A	10v AC
13B	
14A	+23v Analog.
14B	
15A	17v AC
15B	
16A	-23v Analog.
16B	

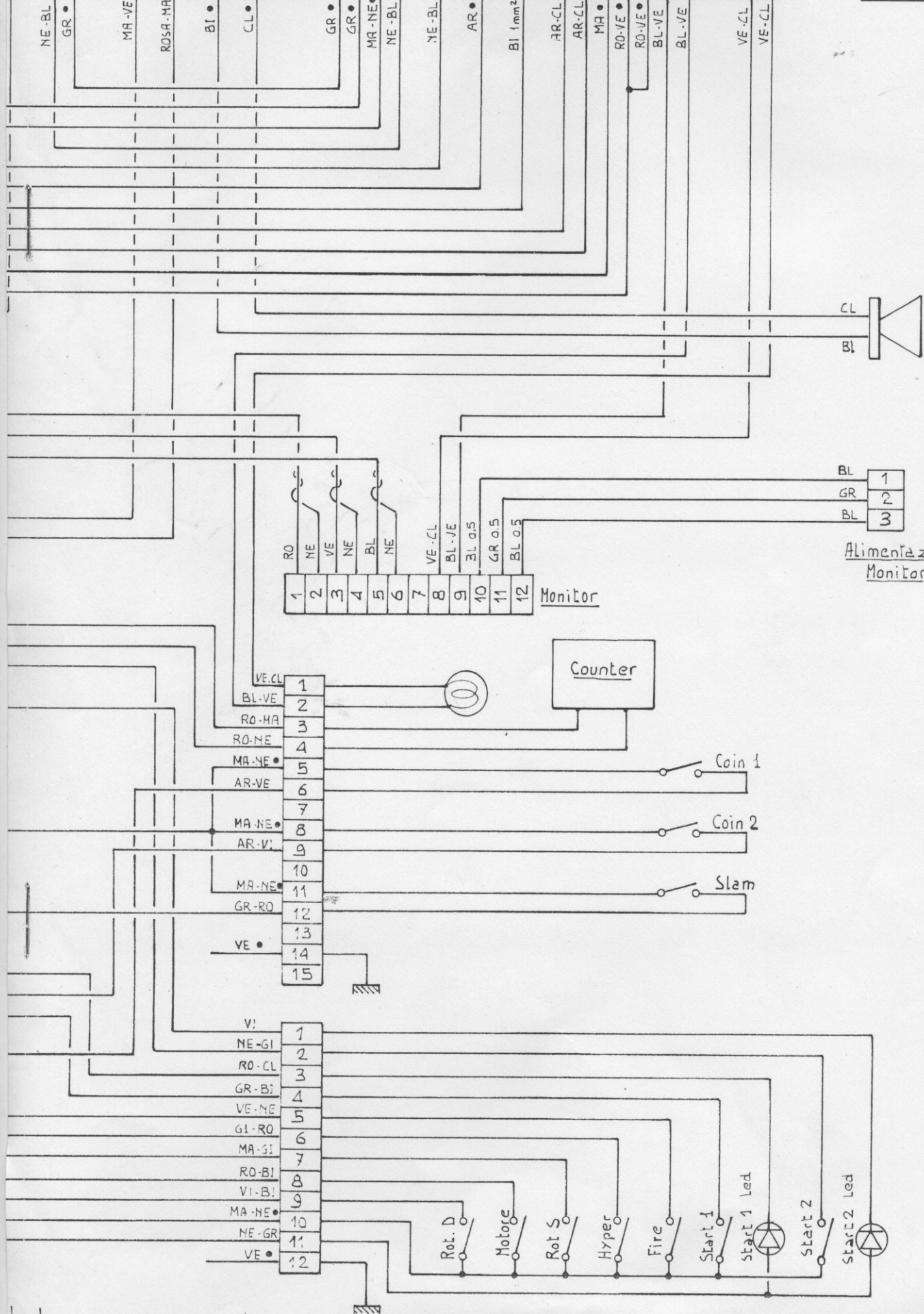


154 mm Analogica

SCHEMA CABLAGGIO GENERALE

10522

17A	17V. AC.	NE-BL
17B	mm Analogica	GR •
18A		
18B		
19A	mm Audio IN	MA-VE
19B		
20A	mm Audio IN	ROSA-MA
20B		
21A	mm Altop.	BI •
21B		
22A	mm Audio Out	CL •
22B	mm Terra	
22	mm 23v. NR	GR •
21	mm 23v. NR	GR •
20	+23v. A NR	MA-NE
19	17v. AC	NE-BL
18		
17	17v. AC	NE-BL
16		
15	+23v. B NR	AR •
14	+23v B NR	
13	+10v DC NR	BI 1mm ²
12	+10v DC NR	
11	10v AC	AR-CL
10	10v AC	AR-CL
9	-10v NR	MA •
8	mm 10v	RO-VE •
7	mm 10v	RO-VE •
6	6.3 AC	BL-VE
5	6.3 AC	BL-VE
4		
3		
2	6.3v AC	VE-CL
1	6.3v AC	VE-CL



1	BL
2	GR
3	BL

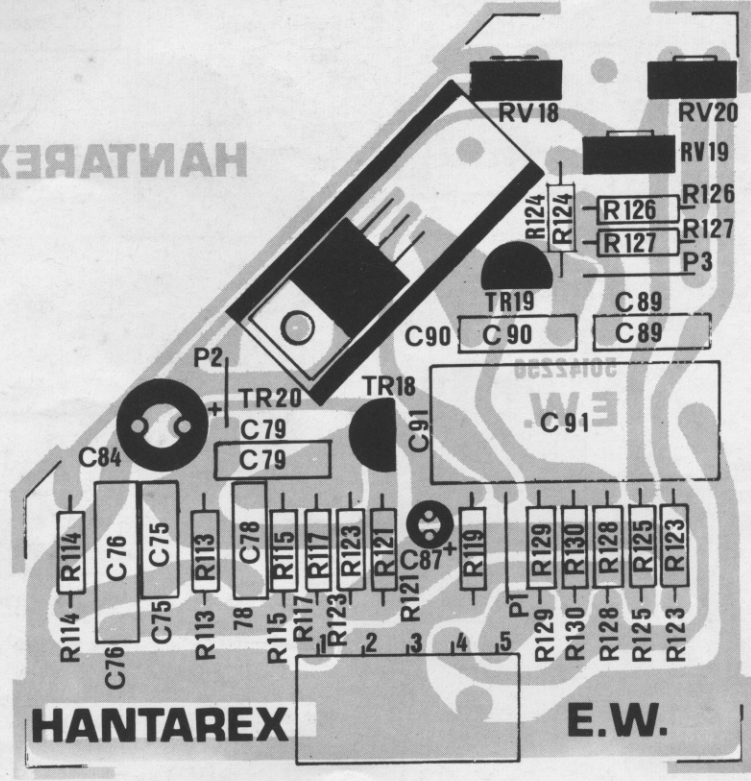
Alimentazione Monitor



HANTAREX

electronic equipment manufacturer

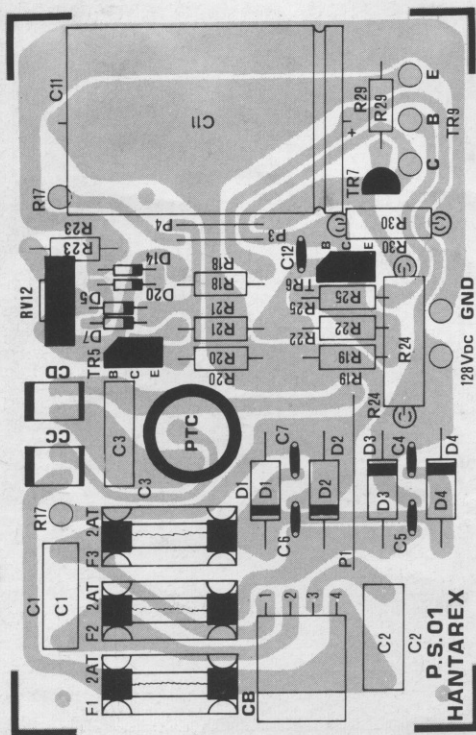
HANTAREX



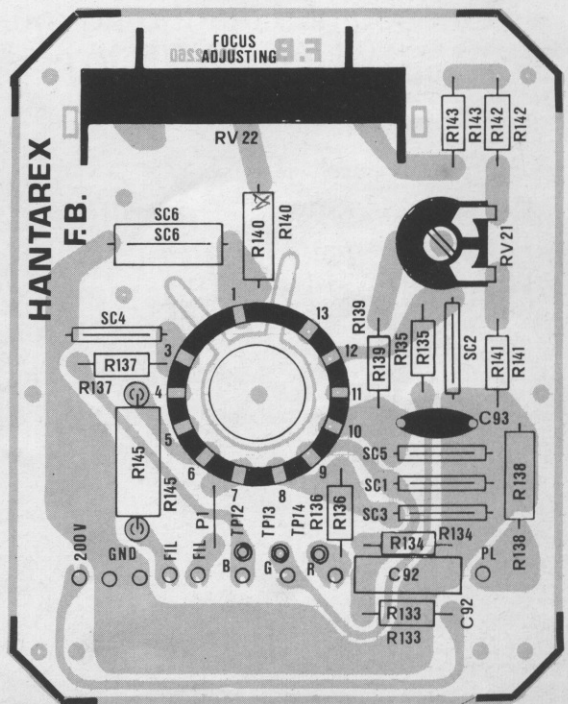
EST - WEST E.W.

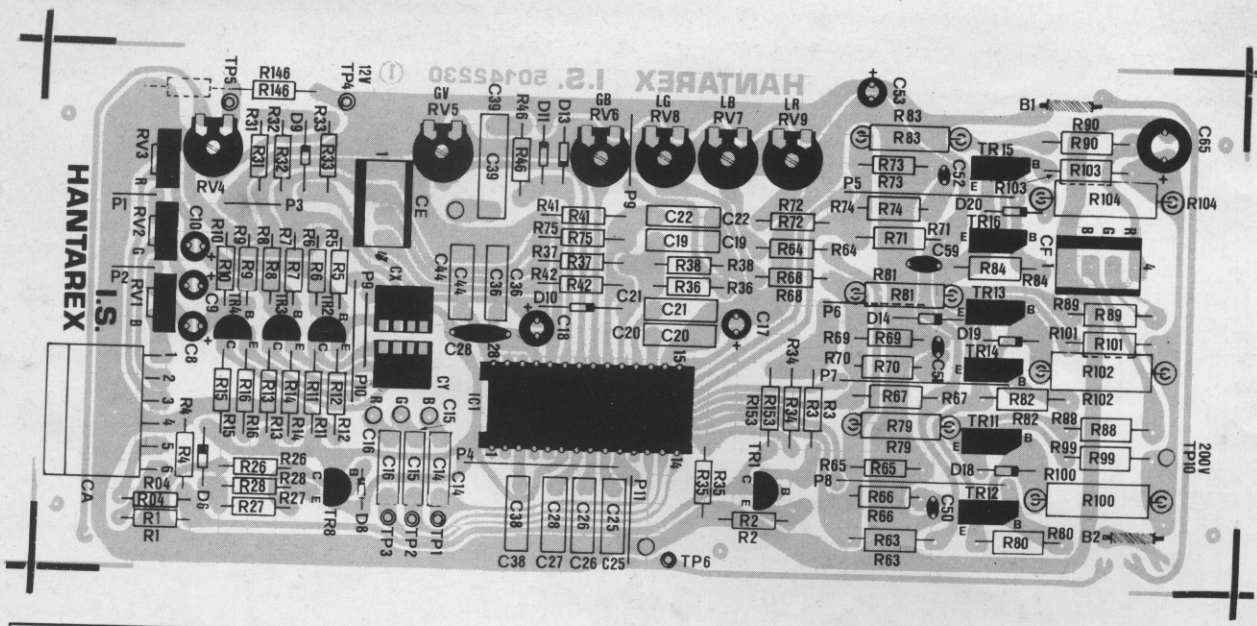
POWER SUPPLY BOARD P.S.

HANTAREX
04554104 .2.P



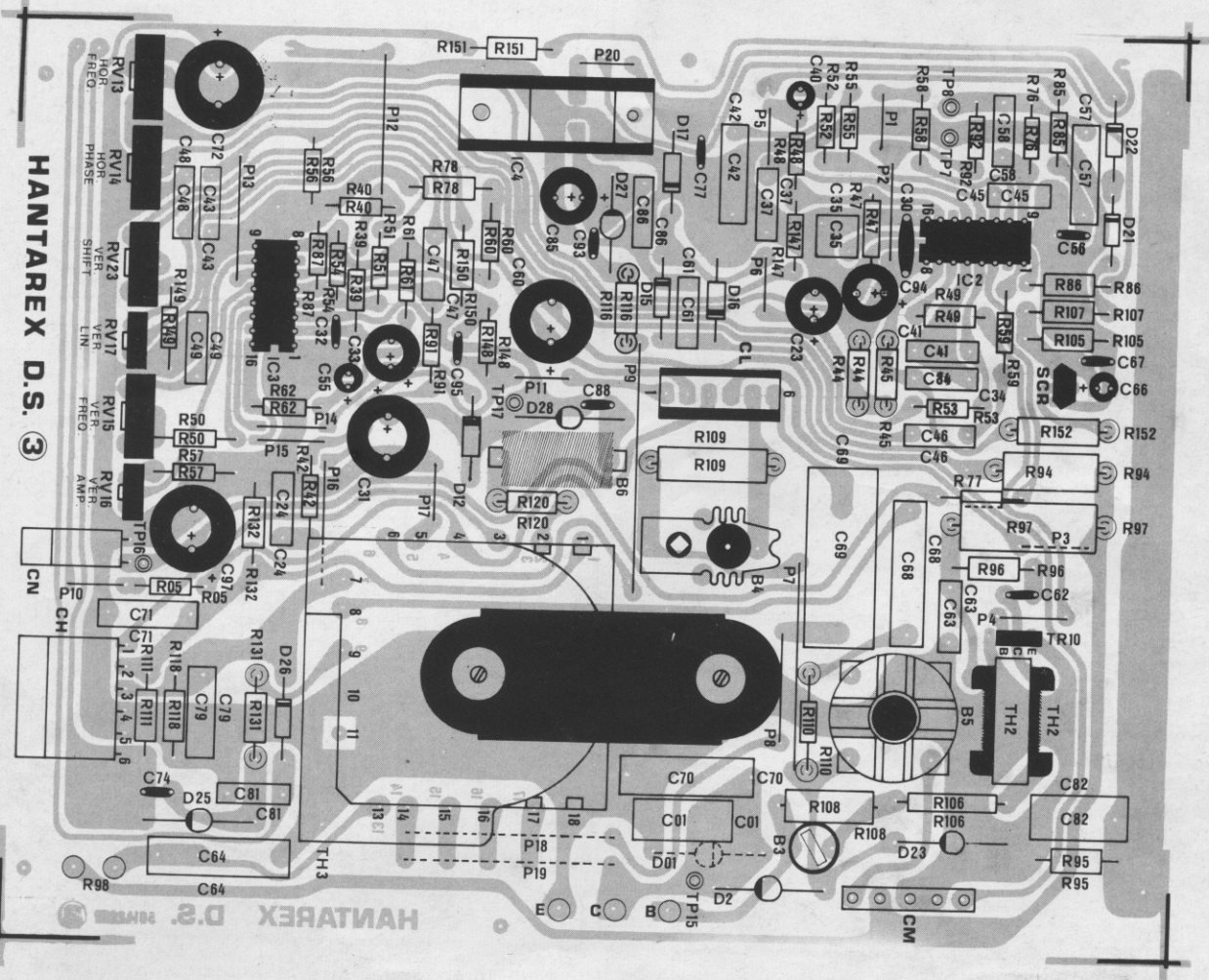
NECK BOARD FB.





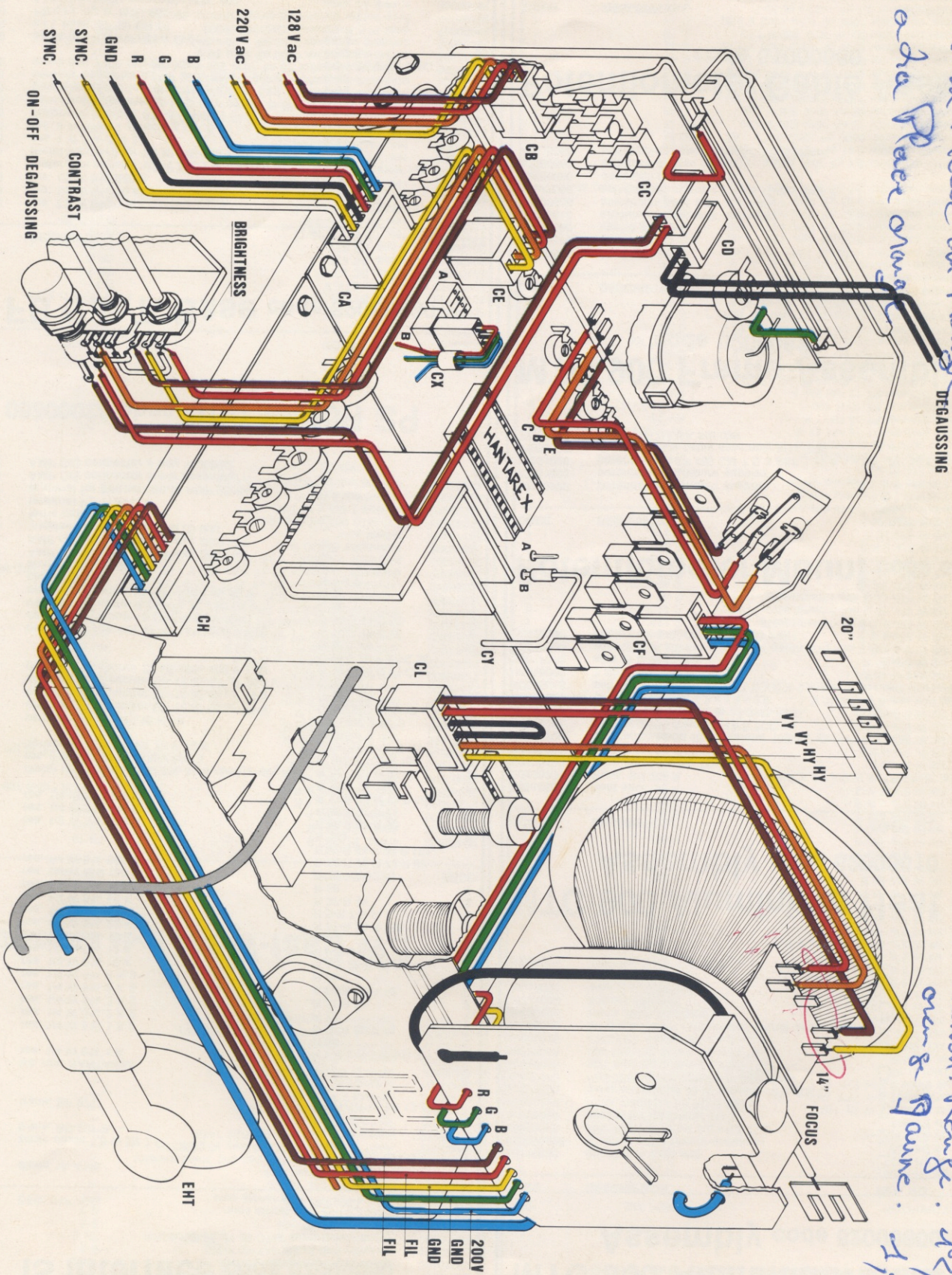
INTERFACE BOARD I.S.

DEFLECTION BOARD D.S.



HANTAREX D.S. 3

MTC 900 CONNEXION DIAGRAM



*Monton a la Place de Rang
Source de la Place orange*

*Monton. Rang. 42,5 m
orange Source. 1,1 m*

200V
GND
FIL
FIL

R
G
B

SCHEMA PIASTRA
REGOLATORI ED AUDIO - 10511

