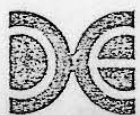


FIRE

TRAP

INSTRUCTIONS



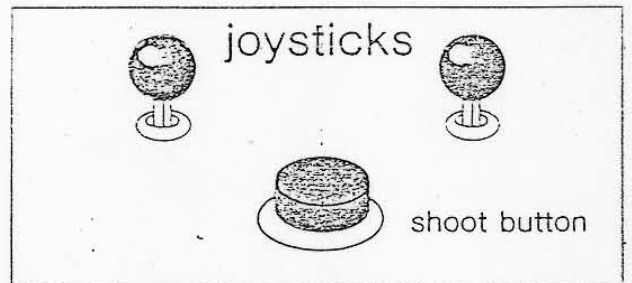
DATA EAST CORPORATION

4-41-10, MINAMI-OGIKUBO, SUGINAMI-KU, TOKYO "167"
PHONE(03)331-5441 FAX(03)335-3741 TELEX2322124 "DATA J"



FIRE TRAP

Rescue the people trapped in the highrise.



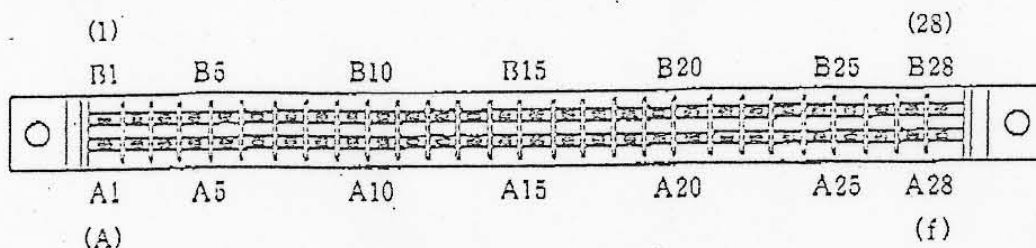
- Move two joysticks up and down alternately to climb.
- Press shoot button or put joysticks together to shoot water to extinguish fire.
- Move both joysticks to the right to move right.
- Move both joysticks to the left to move left.
- Pick up bonus items to increase movement speed.
- Move both joysticks down to jump down.

DATA EAST CORPORATION

2. ハーネスの接続/HARNESS CONNECTION

2-1 端子No.の振り方/TERMINAL NUMBERING

コネクター 1168-056-009 (KEL) 3.96mm Pitch
 CONECTOR CR7E-56DA-3.96E (HRS) 3.96mm Pitch



2-2 ニツコネクター端子の配列/SIGNAL TO TERMINAL

半田面 SOLDER SIDE	端子番号 PIN #	部品面 PARTS SIDE
GND ✓	A 1	GND ✓
GND ✓	B 2	GND ✓
+5V ✓	C 3	+5V ✓
+5V ✓	D 4	+5V ✓
	E 5	
+12V ✓	F 6	+12V ✓
誤挿入防止キー MISTAKEN INPUT PREVENTION	H 7	誤挿入防止キー MISTAKEN INPUT PREVENTION
COIN COUNTER-2	J 8	COIN COUNTER 1
	K 9	
SPEAKER (-) ✓	L 10	SPEAKER (+) ✓
	M 11	
VIDEO GREEN ✓	N 12	VIDEO RED ✓
VIDEO SYNC ✓	P 13	VIDEO BLUE ✓
SERVICE SWITCH	R 14	VIDEO GND ✓
	S 15	
COIN SWITCH-2	T 16	COIN SWITCH 1 ✓ 1
START SWITCH 2 ✓	U 17	START SWITCH 1 ✓
2P LEFT CONTROL UP	V 18	1P LEFT CONTROL UP 6 ✓
2P CONTROL DOWN	W 19	1P CONTROL DOWN 4 ✓
2P CONTROL LEFT	X 20	1P CONTROL LEFT 8 ✓
2P CONTROL RIGHT	Y 21	1P CONTROL RIGHT 9 ✓
2P RIGHT CONTROL UP	Z 22	1P RIGHT CONTROL UP 27 ✓
2P CONTROL DOWN	a 23	1P CONTROL DOWN 28 ✓
2P CONTROL LEFT	b 24	1P CONTROL LEFT 29 ✓
2P CONTROL RIGHT	c 25	1P CONTROL RIGHT 30 ✓
2P CONTROL PUSH	d 26	1P CONTROL PUSH 14 ✓
GND	e 27	GND
GND	f 28	GND

3. 電 源 容 量 / POWER SUPPLY

+5 V	± 2%	4.0 A
+12 V	± 2%	1.0 A

4. 使 用 条 件 / OPERATION ENVIRONMENTS

	温 度 TEMPERATURE	湿 度 HUMIDITY
稼 動 時 OPERATION	5~35 °C	20~80%
保 存 時 STORAGE	-15~65 °C	10~90%

5. モ ニ タ ー / CRT MONITOR

5-1 色 信 号 R, G, B セパレート / COLOR SIGNALS R.G.B. SEPARATE

黒 / BLACK 0~+0.2 V

映像信号 / IMAGE SIGNAL +0.2 V~+4.5 V

5-2 同 期 信 号 コンポジット / SYNCHRONIZE SIGNAL COMPOSITE

0 0~0.5 V

1 +3 V~+5 V

5-3 画 面 サ イ ズ / SCREEN IMAGE SIZE

上下約10%画面サイズが縮みます。

モニターを調整し、拡大して下さい。

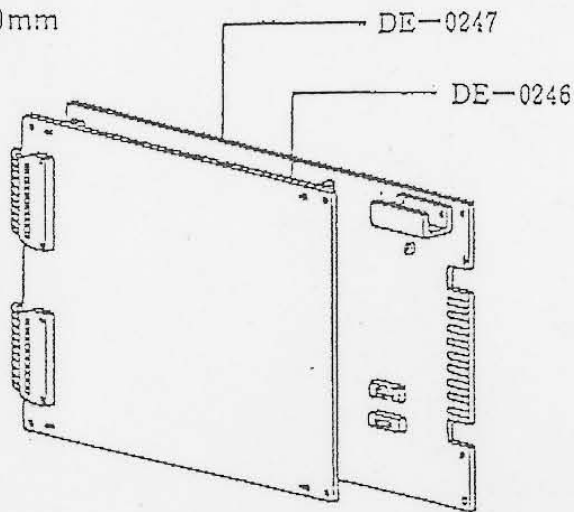
Image may be shrunk vertically by 10%.

Adjust monitor to widen the screen image.

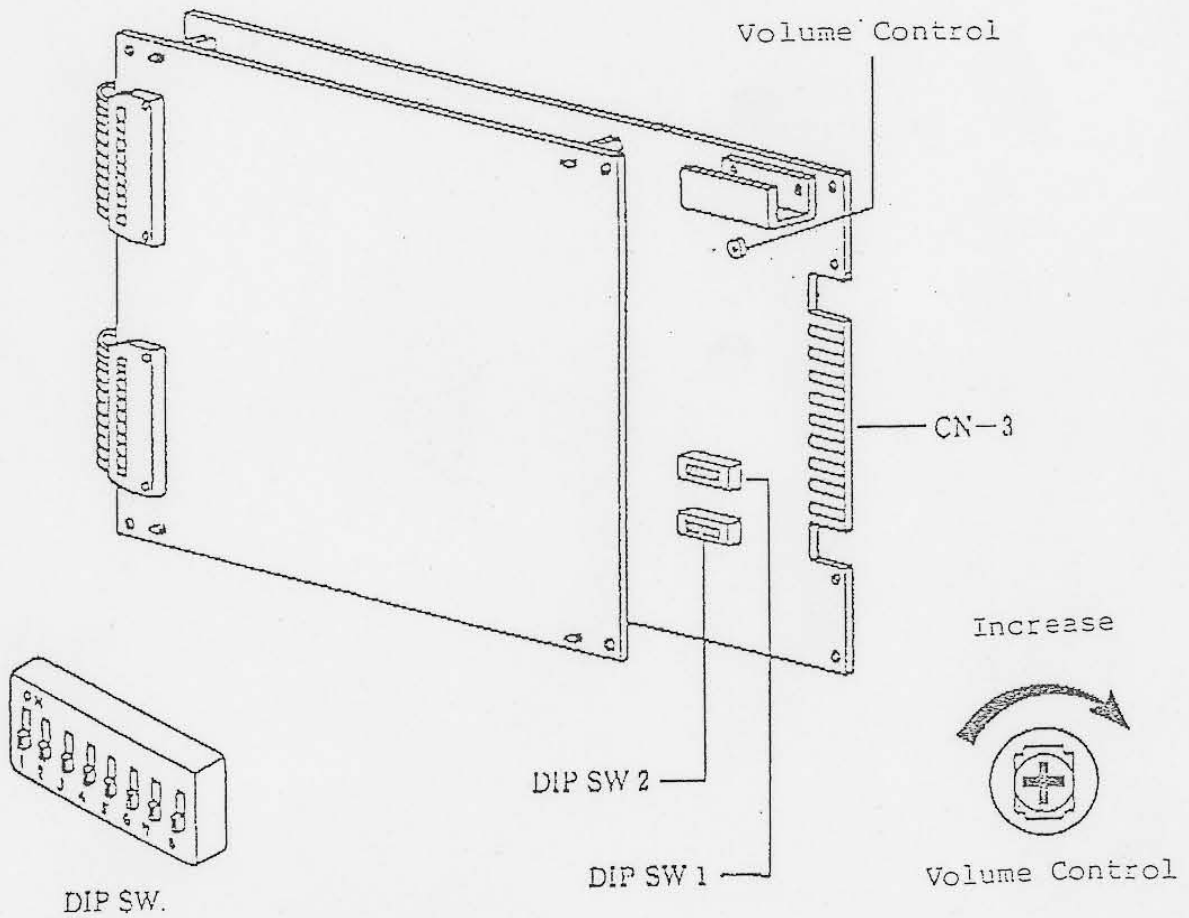
6. DIMENTION

DE-247→280mm×390mm

DE-246→280mm×310mm

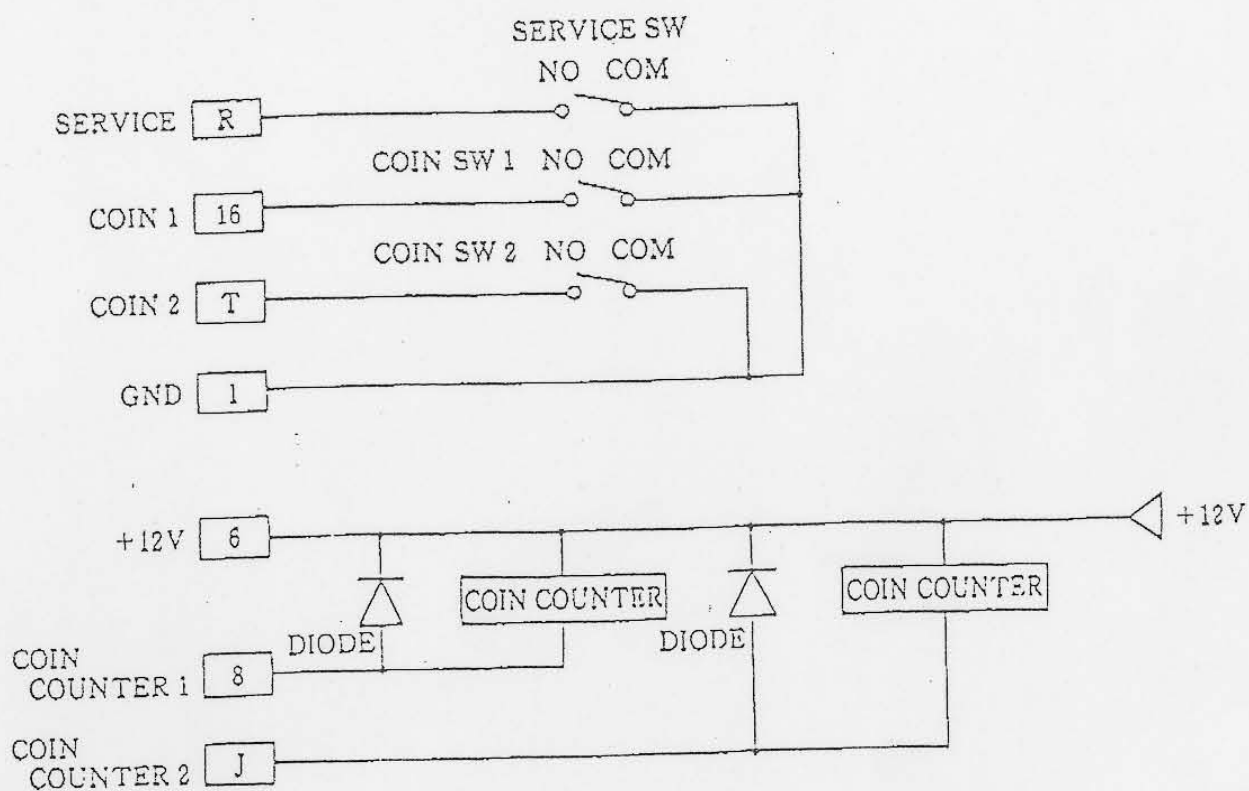


Connectors: CR7E-56DA-3.96E (CN-3).....(HRS)
(1168-056-009).....(KEL)

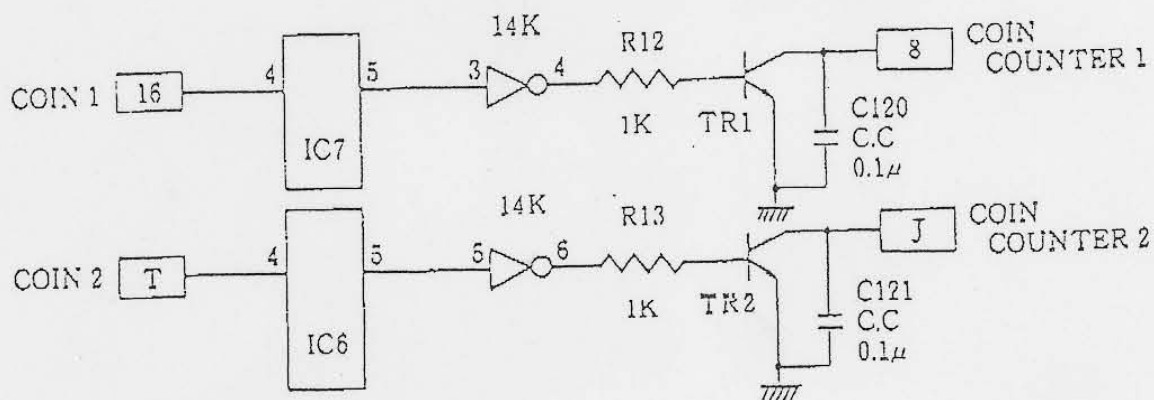


7. 標準接続例 / EXAMPLE OF STANDARD CONNECTION

7-1. コインスイッチの接続例 (2ヶ) / 2 COIN SWITCHES CAN BE INSTALLED



7-2. コインカウンタードライブ回路 / COIN COUNTER-DRIVE CIRCUIT



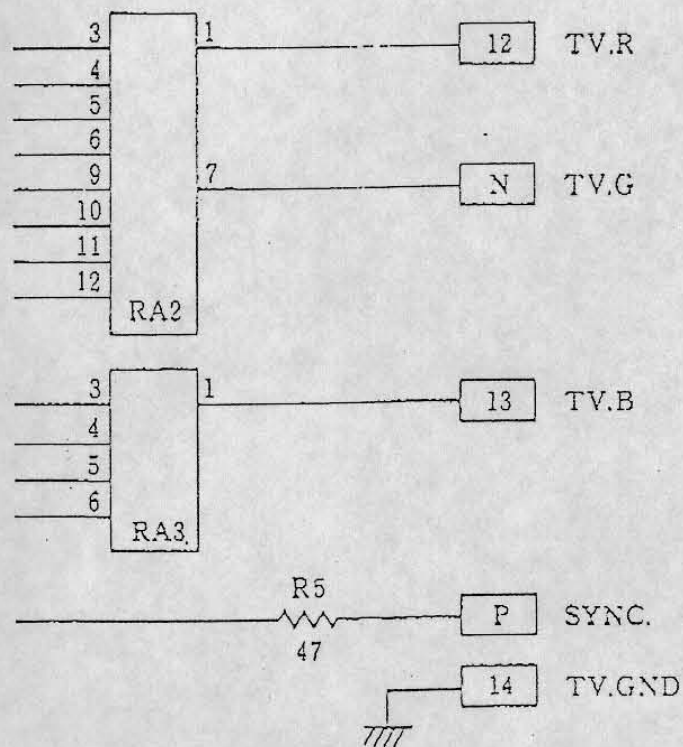
8. モニターとの接続/MONITOR CONNECTION

モニターの各入力に+5V系のもので同期信号が水平、垂直混合(コンポジット)のものが接続できます。

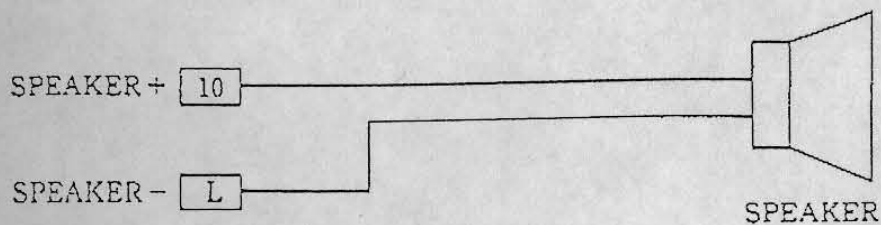
各信号の出力回路は、次のようになっています。

Monitor input composite signals - Horiz/Vert on +5V can be connected.

Circuit diagram of each signal shown below.



9. スピーカーの接続例/SPEAKER



DIP SWITCH SETTING

Dip. SW 1

			1	2	3	4	5	6	7	8
RIGHT SELECTOR	① 1 COIN	1 PLAY	OFF	OFF	OFF					
COIN/CREDIT	1	2	ON	OFF	OFF					
	1	3	OFF	ON	OFF					
	1	4	OFF	OFF	ON					
	1	6	ON	ON	OFF					
NOT USED										
LEFT SELECTOR	② 1 COIN	1 PLAY				OFF	OFF			
COIN/CREDIT	2	1				ON	OFF			
	3	1				OFF	ON			
	4	1				ON	ON			
TABLE/UPRIGHT	TABLE							OFF		
	UPRIGHT							ON		
ATTRACT MODE SOUND	ON								OFF	
	OFF								ON	
MONITOR	NORMAL									OFF
	REVERSE									ON

Dip. SW 2

			1	2	3	4	5	6	7	8
GAME DIFFICULTY	EASY		ON	OFF						
	↓		OFF	OFF						
	↓		OFF	ON						
	DIFFICULT		ON	ON						
NUMBER OF LIVES	3				OFF	OFF				
	4				ON	OFF				
	5				OFF	ON				
NOT USED										
BONUS POINT	30,000 points only						OFF	OFF		
	50,000 points only						ON	OFF		
	30,000 & 70,000 pts only						OFF	ON		
	50,000 & 100,000 pts only						ON	ON		
CONTINUE MODE	ON								OFF	
	OFF								ON	
TEST MODE	OFF									OFF
	ON									ON

FIRE TRAP

86/12/19

WIRING DIAGRAM

SOLDER SIDE

PARTS SIDE

GND	1	GND	
GND	2	GND	
+5V	3	+5V	
+5V	4	+5V	
	5		
+12V	6	+12V	
MISTAKENN INPUT PREVENTION	7	MISTAKENN INPUT PREVENTION	
COIN COUNTER 2	8	COIN COUNTER 1	
	9		
SPEAKER(-)	10	SPEAKER(+)	
	11		
GREEN	12	RED	
SYNC	13	BLUE	
SERVICE SW	14	GND	
	15		
COIN SW 2	16	COIN SW 1	
START SW 2	17	START SW 1	
2P LEFT UP	18	1P LEFT UP	} 1P lever 1
2P DOWN	19	1P DOWN	
2P LEFT	20	1P LEFT	
2P RIGHT	21	1P RIGHT	} 2P lever 2
2P RIGHT UP	22	1P RIGHT UP	
2P DOWN	23	1P DOWN	
2P LEFT	24	1P LEFT	
2P RIGHT	25	1P RIGHT	
2P PUSH	26	1P PUSH	
GND	27	GND	

