



**REEL CONTROLER**

**OPERATOR'S MANUAL**

**Bass Angler2  
Reel Control Panel**



Failure to operate the machine correctly could result in malfunction or accidents,so please read this manual carefully before commencing operation. Be sure to operate the machine as described in this manual.  
Keep this manual carefully so as to be ready for use when necessary.



# About this product

---

Thank you for purchasing this KONAMI product. This manual explains how to operate your game machine correctly and safely.



- **Failure to handle the product correctly may result in malfunction or accidents. Before setting it up, be sure to carefully read the “Bass Angler™ 2” Operator’s Manual. Be sure to operate the machine as described in this manual.**
- **Keep this manual carefully so as to be ready for use when necessary.**
- **If the machine remains in trouble or malfunctions, immediately turn OFF the machine’s power switch, unplug the power cord, and contact your nearest dealer.**

- 
- **This reel control panel is designed for the “Bass Angler™ 2” game. Never use this product for any other games.**

- The specifications of this product are subject to change without notice for reasons such as improving the performance.
- The contents of this design are protected by copyright law and industrial property law.
- Unauthorized reproduction of this document or any of its contents is strictly forbidden.

© 1998 KONAMI ALL RIGHTS RESERVED.

# Specifications

---



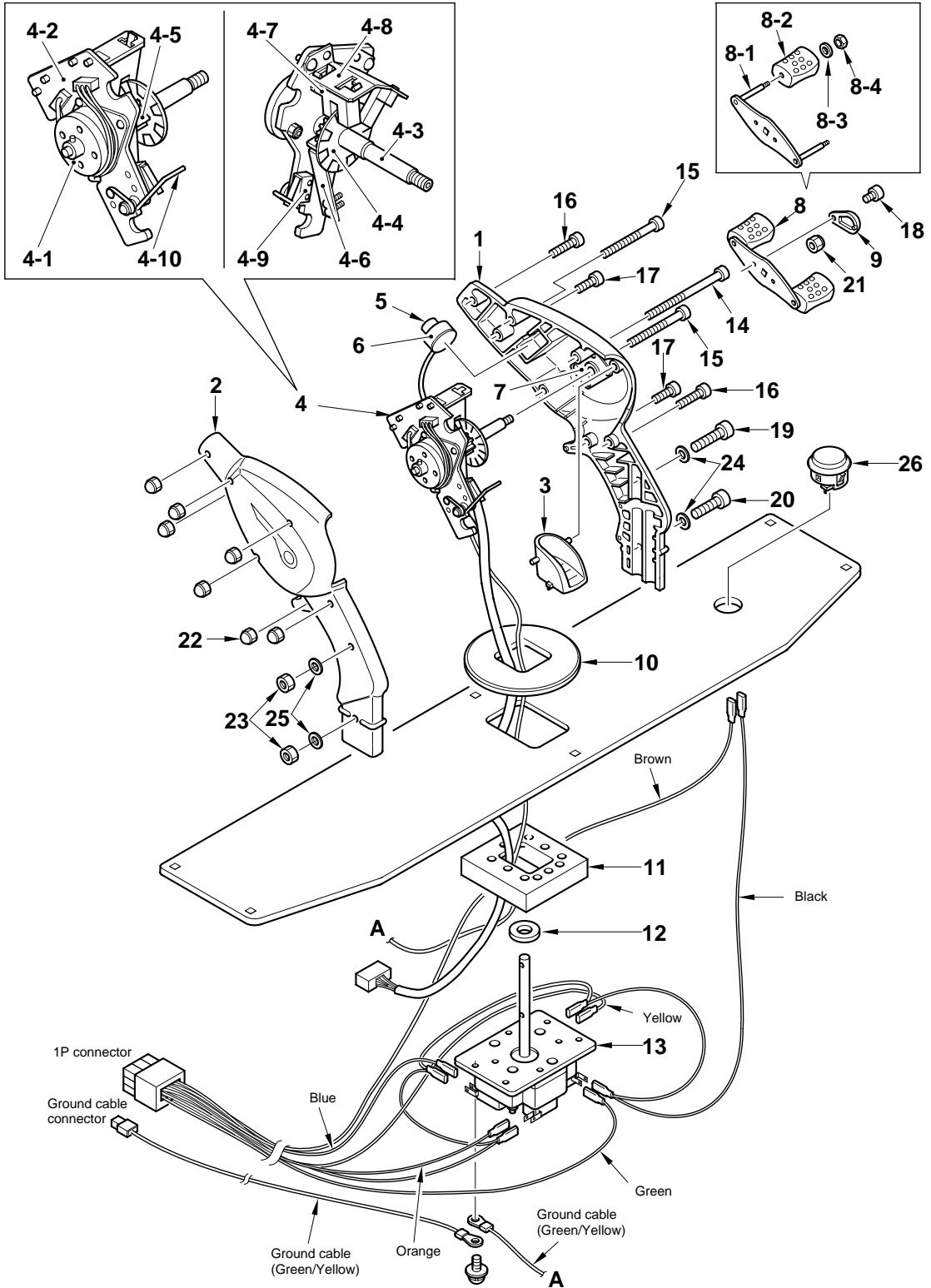
•Use this product for the “Bass Angler™ 2”

## Specifications

| Name           | Bass Angler 2 Reel Control Panel  |
|----------------|---|
| Kit's supplies | <ul style="list-style-type: none"> <li>·Instruction manual ..... This manual</li> <li>·Control panel reinforcement ..... 1</li> <li>·Square-neck screw (M4 x 20L) ..... 1</li> <li>·I/O cable ..... 1</li> <li>·Connector cover ..... 1</li> <li>·Sub-PC board ..... 1</li> <li>·Sub-PC board fixing screw (M3x6L) ..... 3</li> <li>·Cable set ..... 1</li> </ul> |

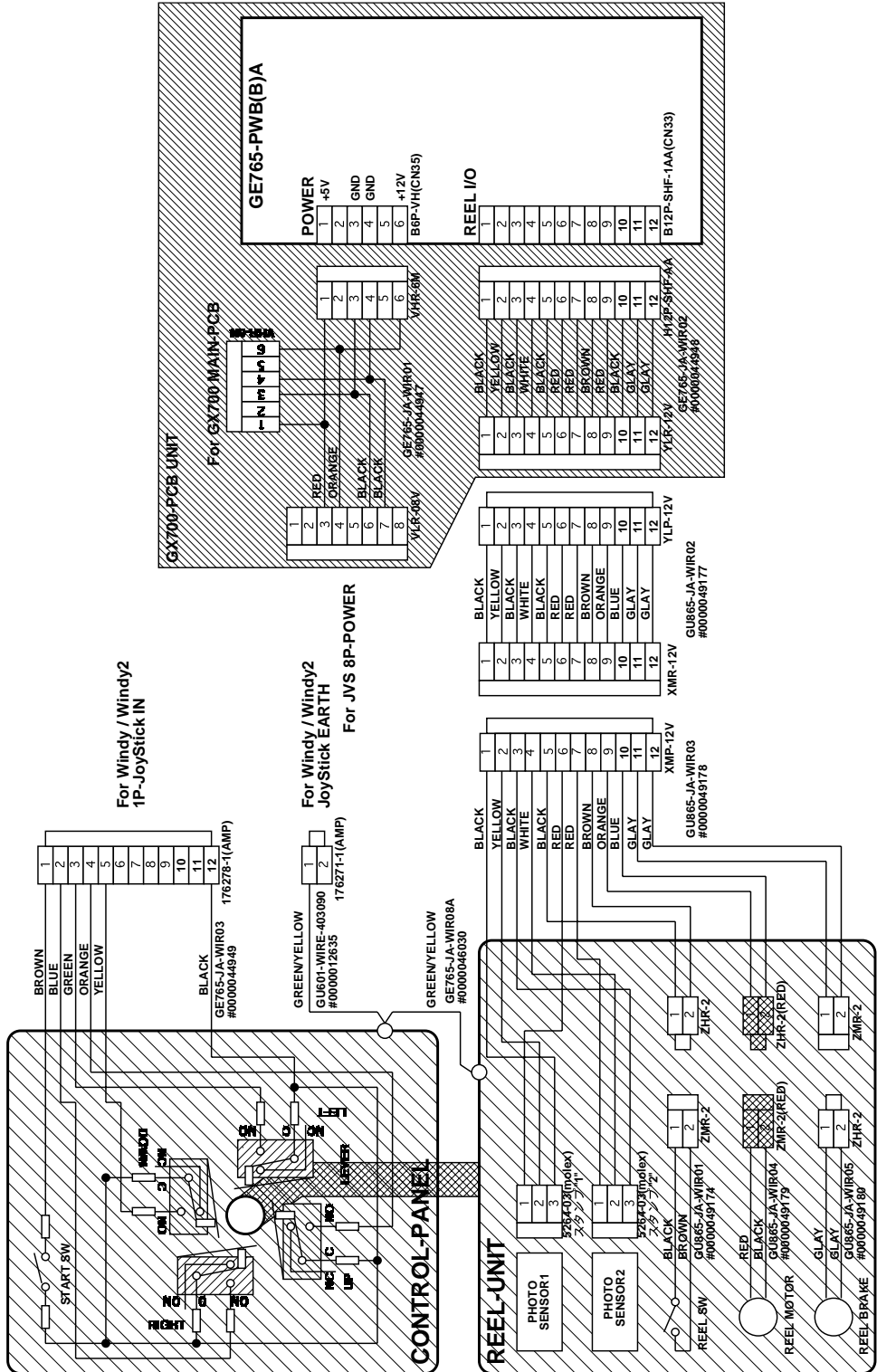
- If any part is defective or not found, contact your nearest dealer.
- The specifications of this product are subject to change without notice for reasons such as improving the performance.

# Reel unit Parts



| No.  | Part name           | Part #     | Quantity | Remarks             |
|------|---------------------|------------|----------|---------------------|
| 1    | Reel case (right)   | 0000049589 | 1        |                     |
| 2    | Reel case (left)    | 0000049590 | 1        |                     |
| 3    | Reel switch         | 0000046048 | 1        |                     |
| 4    | Mechanism unit      | 0000050158 | 1        | Include 4-1 to 4-10 |
| 4-1  | Brake               | 0000050153 | 1        |                     |
| 4-2  | Brake bracket       | 0000046038 | 1        |                     |
| 4-3  | Shaft               | 0000049867 | 1        |                     |
| 4-4  | Cable wheel         | 0000049866 | 1        |                     |
| 4-5  | Gear                | 0000045025 | 1        |                     |
| 4-6  | Leaf spring         | 0000046041 | 1        |                     |
| 4-7  | Photo sensor        | 0000001328 | 2        |                     |
| 4-8  | Sensor bracket      | 0000044939 | 1        |                     |
| 4-9  | Microswitch         | 0000050149 | 1        |                     |
| 4-10 | Spring              | 0000045024 | 1        |                     |
| 5    | Motor unit          | 0000050151 | 1        |                     |
| 6    | Sponge tape         | 0000045028 | 1        |                     |
| 7    | Bearing unit        | 0000045955 | 1        |                     |
| 8    | Handle Assy.        | 0000045956 | 1        | Include 8-1 to 8-4  |
| 8-1  | Lever set           | 0000045081 | 2        | Pin                 |
|      |                     | 0000046044 | 1        | Lever               |
| 8-2  | Grip                | 0000043608 | 2        |                     |
| 8-3  | Flat washer         | -          | 2        | Designation 4       |
| 8-4  | Nylon nut           | -          | 2        | M4                  |
| 9    | Handle cap          | 0000046045 | 1        |                     |
| 10   | Blind plate         | 0000045027 | 1        |                     |
| 11   | Stopper             | 0000046047 | 1        |                     |
| 12   | Flat washer         | -          | 1        | D22 x d10.5 x T1.6  |
| 13   | Joystick            | 0000044984 | 1        |                     |
| 14   | Hexagon socket bolt | -          | 1        | M3 x 50L            |
| 15   | Hexagon socket bolt | -          | 2        | M3 x 35L            |
| 16   | Hexagon socket bolt | -          | 2        | M3 x 15L            |
| 17   | Hexagon socket bolt | -          | 2        | M3 x 10L            |
| 18   | Hexagon socket bolt | -          | 1        | M3 x 5L             |
| 19   | Hexagon socket bolt | -          | 1        | M4 x 20L            |
| 20   | Hexagon socket bolt | -          | 1        | M4 x 18L            |
| 21   | Nylon nut           | -          | 1        | M6                  |
| 22   | Cap nut             | -          | 7        | M3                  |
| 23   | U nut               | -          | 2        | M4                  |
| 24   | Flat washer         | -          | 2        | D7 x d4.3 x T0.5    |
| 25   | Flat washer         | -          | 2        | D9 x d4.3 x T0.8    |
| 26   | Start button        | 0000034960 | 1        | Green               |

# Wiring diagram



---