

**SEGA**<sup>®</sup>  
OPERATIONS MANUAL



**RACING**  
**FULL BLOWN**  
**DELUXE**



**IMPORTANT**

- Before using this product, read this OWNER'S and SERVICE MANUAL carefully to understand the contents herein.
- After reading this manual, be sure to keep it safe and nearby the product for reference when necessary.

Manufactured in the UK by



## BEFORE USING THIS PRODUCT (Be sure to read the following)

To ensure the safe usage of this product, be sure to read the following before use. The following instructions are intended for the users, operators and the personnel in charge of the operation of the product. After carefully reading and sufficiently understanding the warning displays and cautions, handle the product appropriately. Be sure to keep this manual nearby the product or elsewhere convenient for referring to it when necessary.

Herein, explanations which require special attention are enclosed with dual lines. Depending on the potentially hazardous degree, the term of STOP!, WARNING!, CAUTION!, etc. are used. Be sure to understand the contents of these displays before reading the text.



**CAUTION**

Indicates that mishandling the product by disregarding this caution will cause a slight hazardous situation which can result in personal injury and or material damage.



**WARNING**

Indicates that mishandling the product by disregarding this warning will cause a potentially hazardous situation which can result in death or serious injury.



**IMPORTANT**

Indicates that mishandling the product by disregarding this symbol can cause the products intrinsic performance not to be obtained, resulting in malfunction.

**For the safe usage of the product, the following pictographs are used:**



Indicates "HANDLE WITH CARE". In order to protect the human body and equipment, this label is attached to place within the product where this manual should be referred to.



Indicates a "Protective Earth Terminal". Before operating the equipment, be sure to correctly connect it to an Earth point.

**Perform work in accordance with the instructions herein stated.**

Instructions for work are explained by paying attention to the aspect of accident prevention. Failing to perform work as per the instructions can cause accidents. In cases where only those who have technical expertise should perform the work to avoid hazardous situations, the instructions herein state that the serviceman should perform such work.

**Be sure to turn off power before working the machine.**

To prevent electric shock, be sure to turn off the power before starting the work in which the worker touches the interior of the product. If the work is to be performed in the power-on status, this manual herein always states to that effect.

**Ensure that the Power Supply used is equipped with an Earth Leakage Breaker.**

This product does not incorporate an earth leakage breaker. Using a power supply which is not equipped with an Earth Leakage can cause a fire when earth leakage occurs.

**Be sure to use fuses which meet the specified rating.**

Using fuses exceeding the specified rating can cause a fire and electric shock.

**Specification changes (removal of equipment, conversion and addition) not designed by SEGA are not allowed.**

The parts of the product include warning labels for safety, covers for personal protection, etc. It is very hazardous to operate the product by removing parts and or modifying the circuits. Should doors, lids and protective parts be damaged or lost, refrain from operating the product, and contact where the product was purchased or the office stated herein.

**Ensure that the product meets the requirements of appropriate Electrical Specifications.**

Before installing the product, check for Electrical Specifications. SEGA products have a nameplate on which Electrical Specifications are described. Ensure that the product is compatible with the power supply voltage and frequency requirements of the location. Using any Electrical Specifications can cause a fire and electrical shock.

**Install and operate the product in places where appropriate lighting is available, allowing warning labels to be clearly read.**

To ensure safety for the customers, labels and printed instructions describing potentially hazardous situations are applied to places where accidents may be caused. Ensure that where the product is operated has sufficient lighting to allow the warning labels to be read. If any labels are peeled off or defaced, re-apply or replace them immediately. Please place an order with where the product was purchased or the office stated herein.

**When handling the CRT / Monitor, be very careful. (Applies only to products using CRT).**

Some of the CRT / Monitor (TV) parts are subject to high tension voltage. Even after turning off power to the product, some portions are still subject to the high tension voltage. Monitor repair or replacement should only be performed by those with electrical knowledge and technical expertise.

**When transporting or re selling this product, be sure to attach this manual to the product.**

Descriptions herein contained may be subject to improvement changes without notice.

The contents described herein are fully prepared with due care. However, should any questions arise or errors be found, please contact SEGA.

**INSPECTION IMMEDIATELY AFTER TRANSPORTING THE PRODUCT TO THE LOCATION.**

Normally at the time of shipment, SEGA products are in a status allowing for usage immediately after transportation to the location. Nevertheless, an irregular situation may occur during transportation. Before turning on the power, check the following points to ensure that the product has been transported in a satisfactory status.

- Are there any dented portions or defects (cuts, etc.) on the external surfaces of the cabinet?
- Are the castors or height adjuster damaged?
- Do the power supply voltage and frequency requirements meet those of the location?
- Are all wiring connectors correctly secured?
- Are any of the power cords damaged?
- Do the fuses used meet the specific rating?
- Are all the accessories available?
- Can all doors and lids be opened and closed securely?

# Table of Contents

SPECIFICATIONS	1
DEFINITION OF SERVICE ENGINEER AND MAINTENANCE MAN	2
CONCERNING THE STICKER DISPLAY	3
CONCERNING WARNING DISPLAY	3
HANDLING PRECAUTIONS	4
PRECAUTIONS CONCERNING INSTALLATION	5
INSTALLATION SPACE REQUIRED	6
NAME OF PARTS	7
ACCESSORIES	8
PAYING ATTENTION TO CUSTOMERS	9
PRECAUTIONS TO BE HEDED (BY CUSTOMERS) DURING THE OPERATION	10
ASSEMBLING WITH PRECAUTIONS	12
ASSEMBLING THE DISPLAY CABINET	13
PRECAUTIONS TO BE HEDED BEFORE STARTING THE OPERATION	17
SECURING INTO PLACE	18
INSTALLING POWER CABLES	19
TURNING THE POWER ON	20
BASIC GAME CONTENT	23
BASIC GAME CONTENT - OVERVIEW	24
HOW TO PLAY	25
TEST MODE	37
GAME TEST MODE	52
MAINTENANCE	53
DLP DISPLAY	61
PC REMOVAL and CONNECTIONS	63
CONNECTIONS FOR NETWORK PLAY	65
COIN TOWER - OPERATION	67
DESIGN RELATED PARTS	72



## SPECIFICATIONS

Installation space:	2000mm (W) X 3000mm (D)
Height:	2200mm
Weight:	400kg.
Power, Max current:	2.2A. (AC 230V 50Hz)
Display type:	Samsung 50" DLP

### INTRODUCTION TO THIS MANUAL

This Owners' and Service Manual is intended to provide detailed descriptions together with all the necessary information covering the general operation of electronic assemblies, electromechanical, servicing control, spare parts, etc. as regards the product, **FORD RACING DELUXE**

This manual is intended for the owners, personnel and managers in charge of operation of this product. Operate the product after carefully reading and sufficiently understanding the instructions herein. If the product fails to function satisfactorily, under no circumstances should a non technical person touch the internal parts of the machine. Please contact the office where the product was purchased for any enquiries.

**SEGA** AMUSEMENTS EUROPE LIMITED  
Suite 3a, Oaks House,  
12 - 22 West Street  
Epsom,  
SURREY.  
UNITED KINGDOM  
KT18 7RG

## DEFINITION OF SERVICE ENGINEER AND MAINTENANCE MAN



Non-technical personnel who do not have technical knowledge and expertise should refrain from performing such technical work that is detailed in this manual. Only QUALIFIED SERVICE ENGINEERS should perform work either inside or outside the compass of this manual. Failing to comply with this instruction may cause a severe accident, electric shock or even death.

Ensure that parts replacement, servicing & inspections and troubleshooting are carried out by the location's maintenance man. It is instructed herein that particularly hazardous work should be performed by Qualified Service Engineers or Electrical / Mechanical Engineers who have expertise within this field.

The location's Maintenance man and Qualified Service Engineers are defined as follows:

### **“Location's Maintenance Man”**

Those who have been trained or have experience in the maintenance of amusement machines and or vending equipment, and also participates in the servicing and control of the equipment through such routine work as equipment assembly, servicing and inspections and replacement of consumable, etc. within the Amusement Facilities and or locations under management of the owner or operators of the product.

### **Activities of the Location's Maintenance Man:**

Assembly & installation, servicing & inspections and replacement of units and consumable as regards amusement equipment and vending machines, etc.

### **“Qualified Service Engineer”:**

Those who or who have participated and/or qualified in the design, manufacture or inspection of amusement equipment at an amusement equipment manufacture or those who have been trained and certified within the field by operational companies.

Those who have technical expertise equivalent to that of a technical high school graduate as regards to electricity, electronics and or mechanical engineering and daily take part in servicing, control and repair of amusement equipment.

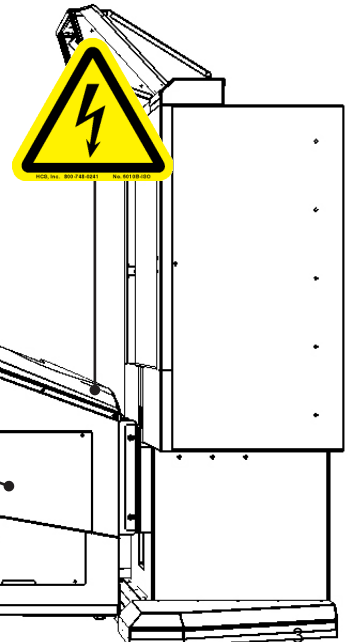
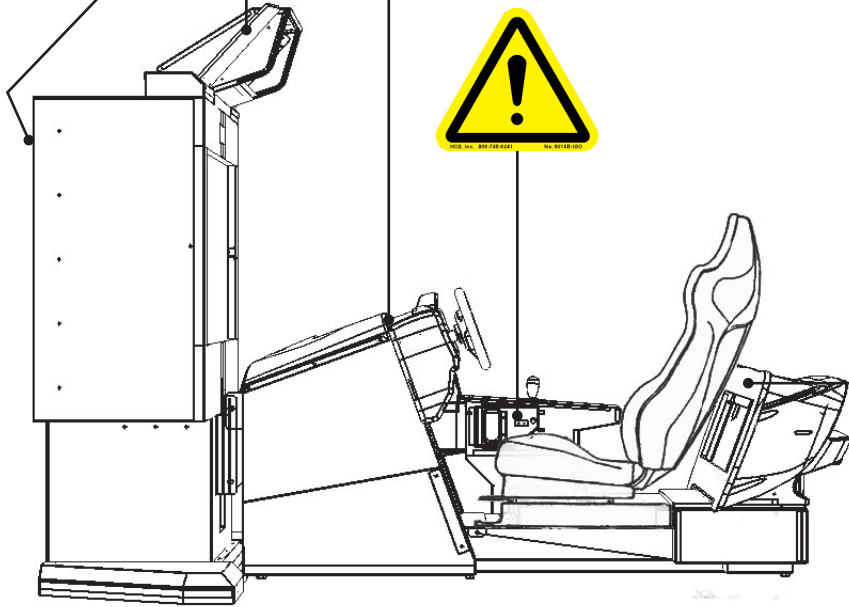
### **Qualified Service Engineer's activities:**

Assembly & installation and repair & adjustment of electrical, electronic and mechanical parts of amusement equipment and vending machines.

## CONCERNING THE STICKER DISPLAY

SEGA products has stickers describing the product manufacture No. (Serial No.) and Electrical Specifications. Also it has a sticker describing where to contact for repair and for purchasing parts.

When inquiring about or asking for repair, mention the Serial No. and Name of Machine indicated on the sticker. The Serial No. Indicates the product register. Identical machines could have different parts fitted depending on the date of manufacture. Also, improvements and modifications might have been made after the publication of this manual. In order to meet the above situations, mention the Serial No. when contacting the applicable places.



## HANDLING PRECAUTIONS

When installing or inspecting the machine, be very careful of the following points and pay attention to ensure that the player can enjoy the game safely.

Non-compliance with the following points or inappropriate handling running counter to the cautionary matters herein stated can cause personal injury or damage to the equipment.



- Before performing the work, be sure to turn the power off. Performing work without turning the power off can cause electric shock or a short circuit condition. In the cases where work should be carried out when the equipment is powered on, this manual will always state to that effect.
- To avoid electric shock or short circuit, do not plug in or unplug quickly.
- To avoid electrical shock, do not plug in or unplug with wet hands or within a wet environment.
- Do not expose Power Cords or Earth wires on the surface, (floor, etc.). If exposed, the power cord and or Earth wires may be susceptible to damage. Damage cords or wires may cause and electric shock or short circuit.
- To avoid causing electric shock or fires, do not rest or put objects upon the power cords.
- During or after installing the product, do not unnecessarily pull the power cord. If damaged the power cord can cause electric shock, fire or a short circuit hazard.
- In case the power cord is damaged, ask for a replacement through where the product was purchased or from the office stated herein. Using a damaged or faulty power cord may cause electric shock, fire or a short circuit condition.
- Be sure to earth the product correctly. Inappropriate earthing may cause electric shock or fire hazard.
- Be sure to use fuses that meet the specified rating for the product. Using fuses exceeding the specified rating may cause electric shock and or fire hazard.
- Be sure all connectors are firmly made. Connectors that are not completely made can cause a fire hazard.
- To avoid causing electric shock, short circuit or fire hazards, do not make specification changes by removing, converting or by making any additions to the product unless otherwise designated by SEGA.
- Be sure to perform periodic maintenance inspections herein stated.



- For IC board inspections only use a logic analyser / tester. The use of a multi-purpose tester is not permitted.
- When cleaning the CRT or display surface, use a dry soft cloth. DO not apply chemicals such as thinner, benzine, etc.
- The electronic parts of the IC board can be damaged due to static electricity carried by the human body. Before performing any IC board related work, be sure to discharge any physically accumulated static by touching a grounded metallic surface or by attaching an earth strap.

## PRECAUTIONS CONCERNING INSTALLATION



This product is an indoor game machine. Do not install it outside. Even indoors, avoid installing in places mentioned below so as not to cause a fire, electric shock, injury or malfunction.

- Places subject to rain or water leakage, or places subject to high temperatures in the proximity of an indoor swimming pool and or shower etc.
- Places subject to direct sunlight or places subject to high temperatures in the proximity of heating units, etc.
- Places filled with inflammable gas or vicinity of highly inflammable/volatile chemicals or hazardous matter.
- Dust places.
- Sloped surfaces.
- Places subject to any type of violent impact.
- Vicinity of anti-disaster facilities such as fire exits and fire extinguishers.
- The opening (ambient) temperature range is from 5 to 40 degrees centigrade. Only in cases where a projector is employed, the temperature range is 5 to 30 degrees centigrade.
- This product is not suitable to be installed into an area where a Power or Jet wash can be used.

### LIMITATIONS OF USAGE REQUIREMENTS



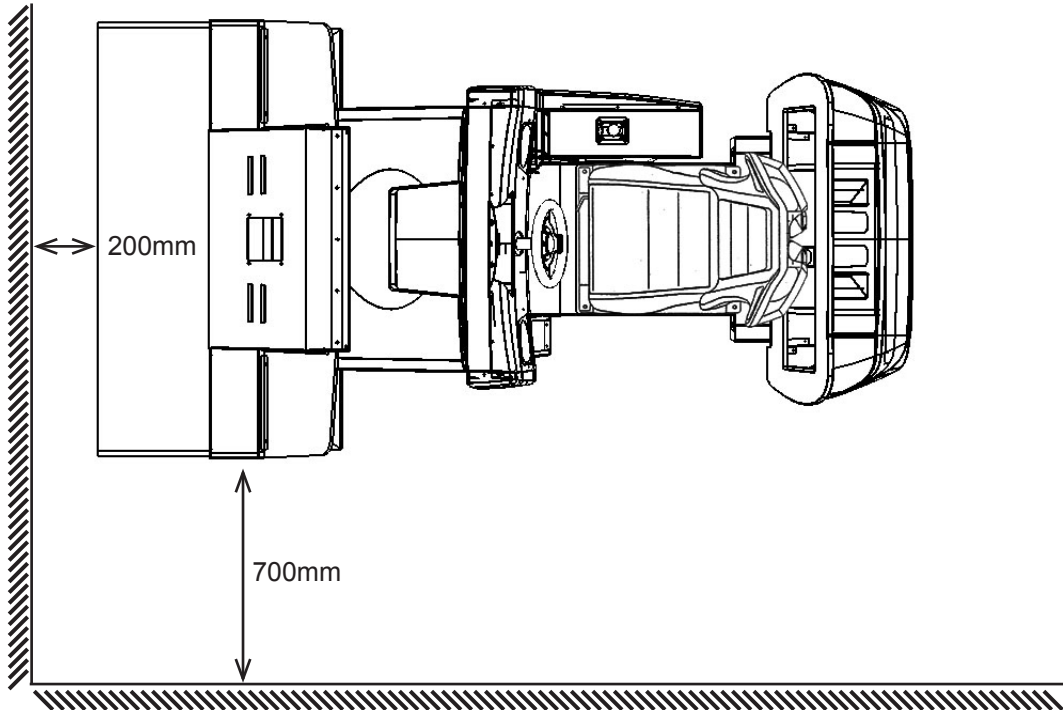
- Be sure to check the Electrical Specifications.
- Ensure that this product is compatible with the location's power supply, voltage and frequency requirements. A plate describing the Electrical Specifications is attached to the product. Non-compliance with the Electrical Specifications can cause a fire and/or electric shock.
- This product requires a Circuit Breaker as part of the location facilities. Using them independent from the product can cause electric shock and or fire hazard.
- Ensure that the indoor rating for the power supply is rated at 7A or higher. Non-compliance with the Electrical Specifications can cause electric shock or fire hazard.
- Be sure to independently use a power supply equipped with an Earth Leakage Breaker. Using a power supply without an Earth Leakage Breaker may cause an electric shock or fire hazard.
- Applying too many loads to a single feed can cause a generation of heat and result in a fire hazard resulting from an overload.
- When using an extension cord, ensure that the cord is rated at 7A or higher. Using a cord rated lower than specified may cause a fire hazard or electric shock.

## INSTALLATION SPACE REQUIRED



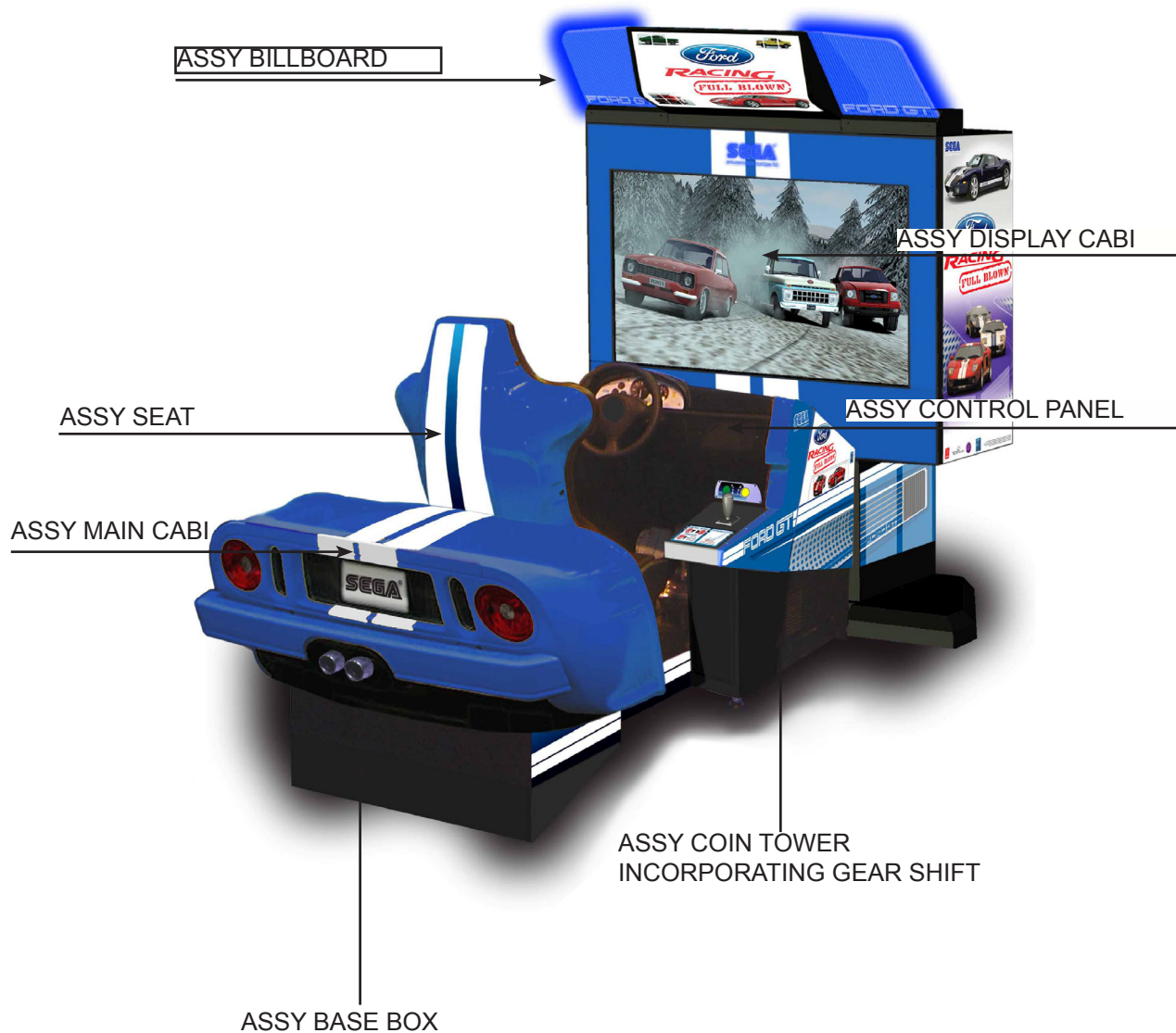
IMPORTANT

- Note that for transporting the machine into location, the minimum clearance required for a doorway or entrance is **1.5 m (W)** and **1.5 m (D)**.
- For the operation of this machine, secure a minimum area of **2.0 m (W)** X **3.0 m (D)**. For ventilation, provide an approximate space of 20cm between the rear of the cabinet and the wall.



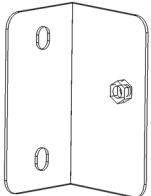

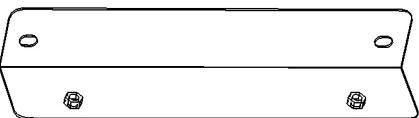
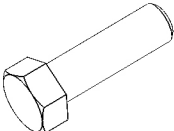





# NAME OF PARTS



Description	Width	Depth	Height
ASSY BILLBOARD	131CM	47CM	35CM
ASSY DISPLAY CABI	150CM	65CM	154CM
ASSY MAIN CABI	112CM	220CM	99CM
ASSEMBLED	150CM	267CM	190CM

## ACCESSORIES

	<p>ORP-0001UK JOINT BRACKET X 1. Secures to the front of the ASSY MAIN CABI so that the ASSY DISPLAY CABI can be fixed.</p>
	<p>ORP-0002UK JOINT BRACKET X 1. Secures to the front of the ASSY MAIN CABI so that the ASSY DISPLAY CABI can be fixed.</p>
	<p>NCR-0002 JOINT BRACKET CENTRE X 2. Secures to the front of the ASSY MAIN CABI so that the ASSY DISPLAY CABI can be fixed.</p>
	<p>Fixings which enable the installer to fit and fix the two cabinets together and to apply the billboard into place before operation.</p>
	<p>600-7269-0500UK ASSY LAN CABLE 0500 To connect between two cabinets for linked play</p>
	<p>LM1227 MAINS LEAD 10A UK Mains lead to supply the machine with power</p>
	<p>Remote control for SAMSUNG display.</p>

## PAYING ATTENTION TO CUSTOMERS

To avoid injury and unacceptable behaviour be sure to constantly give careful attention to the players and observers of the game.



**WARNING**

- To avoid electric shock and short circuit, do not allow customers to put hand or fingers or any extraneous matter in any of the openings around the product.
- To avoid customer injury due to tripping or falling, immediately stop customers from leaning on or climbing on the product.
- To avoid electric shock and short circuit, do not allow customers to unplug the power cord without a justifiable reason.
- To avoid injury resulting from items falling of the machine, instruct the player(s) not to place any items, included drinks on the machine.



**CAUTION**

Immediately stop such violent acts as hitting of kicking the product. Such violent acts can cause parts damage and or injury to the player and/or potential players.

## PRECAUTIONS TO BE HEDED (BY CUSTOMERS) DURING THE OPERATION

To avoid injury and unacceptable behaviour be sure to constantly give careful attention to the players and observers of the game.



- To avoid electric shock and short circuit, do not allow customers to put hand or fingers or any extraneous matter in any of the openings around the product.
- To avoid customer injury due to tripping or falling, immediately stop customers from leaning on or climbing on the product.
- To avoid electric shock and short circuit, do not allow customers to unplug the power cord without a justifiable reason.
- To avoid injury resulting from items falling of the machine, instruct the player(s) not to place any items, included drinks on the machine.



Immediately stop such violent acts as hitting of kicking the product. Such violent acts can cause parts damage and or injury to the player and/or potential players.

To avoid injury and unacceptable behaviour be sure to constantly give careful attention to the players and observers of the game.



**WARNING**

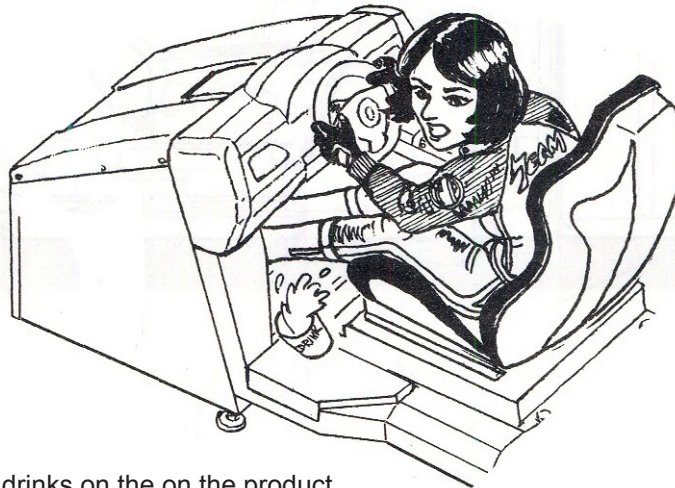
To avoid injury and accidents, those who fall under the following categories are not allowed to play the game.

Intoxicated persons.

Those who have high blood pressure or heart problems.

Those who have experienced muscle convulsion or loss of consciousness when exposed to intensive light stimulus due to watching television or playing video games.

Persons whose act runs counter to the products warning labels.



Do not place drinks on the on the product

To avoid electric shock or short circuit, do not allow customers to put hands or fingers or any extraneous matter into the opening of the product or small openings in or around the doors.

To avoid injury resulting from customer falling or tripping, immediately stop customers leaning against or climbing on the product.

To avoid electric shock and short circuit, do not allow customers to unplug the power without a justifiable reason.

## ASSEMBLING WITH PRECAUTIONS

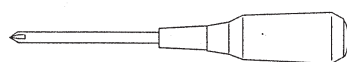


- Perform assembly work by following the procedure herein stated. Failing to comply with the instructions can cause electric shock hazard.
- Assembly should be performed as per this manual. Since this is a complex machine, erroneous assembling may cause electric shock, machine damage and or poor performance.
- When assembling, be sure to use a minimum of two persons. Depending on the assembly work, there are some cases in which by one person working alone may cause personal injury or damage to machine parts.
- Ensure that all connectors are correctly made. Incomplete connections can cause a hazard.

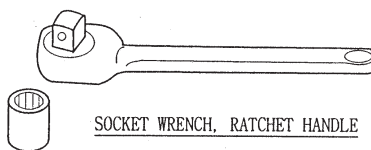
When carrying out the assembly work, follow the procedure below in the correct sequence.

1. ASSEMBLING THE DISPLAY CABINET
2. SECURING THE BILLBOARD
3. SECURING INTO LOCATION
4. INSTALLING POWER CABLES
5. ASSEMBLY CHECK

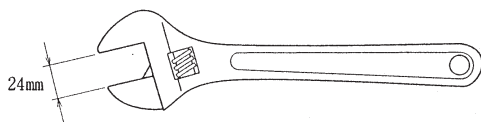
When assembling, make sure that tools such as a Phillips screwdriver, an M4 wrench or socket and an M16 Wrench or socket are available.



Phillips type screwdriver



SOCKET WRENCH, RATCHET HANDLE



WRENCH (for M16 hexagon bolt)



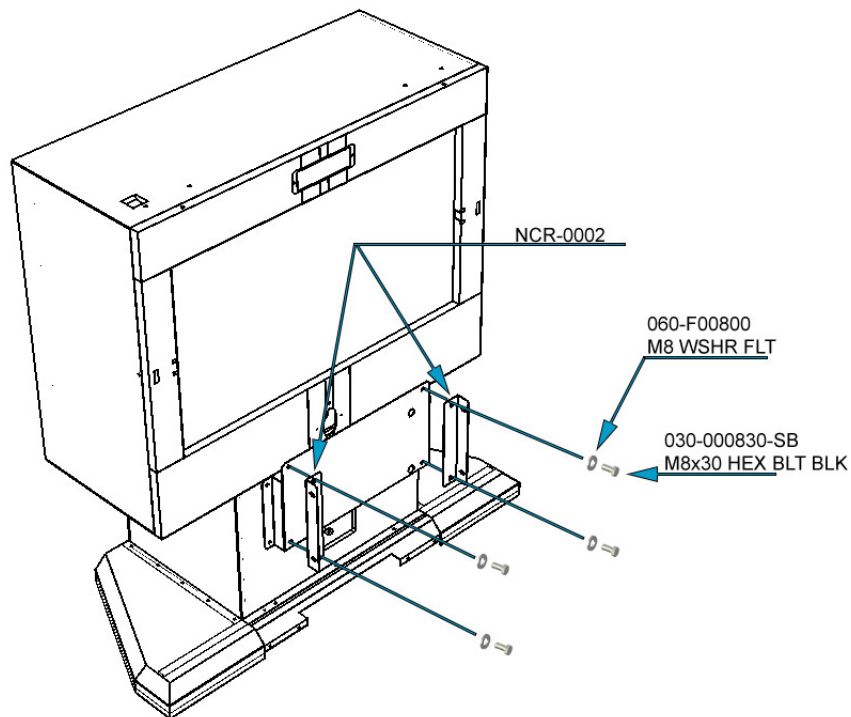
## ASSEMBLING THE DISPLAY CABINET



CAUTION

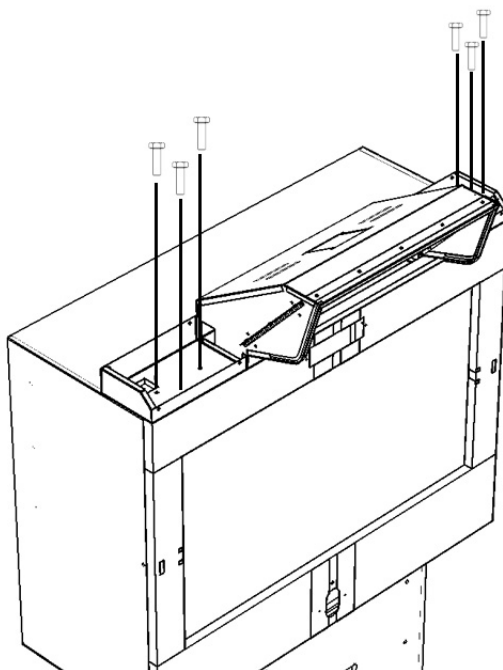
- Only tighten fixings when all fixings are in place. If the fixings are tightened as the work progresses, it might not be possible to align the final fixings.

### STEP 1



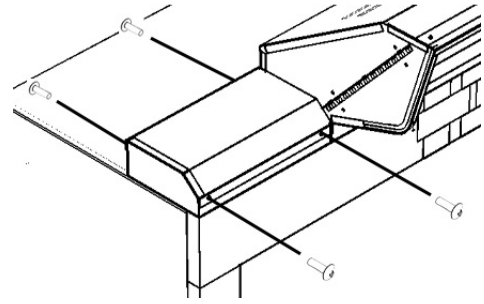
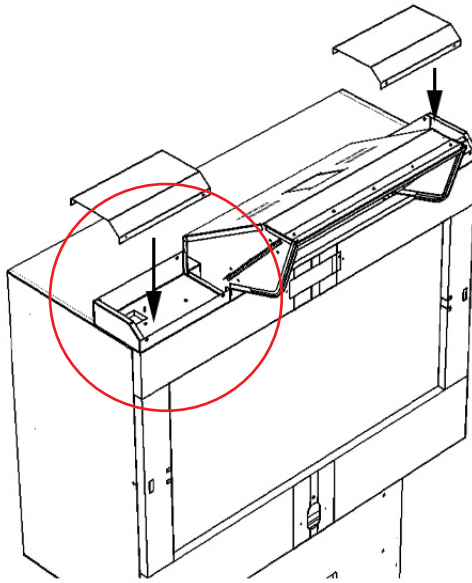
Apply the 2x JOINT BRACKETS (NCR-0002) to the CENTRE PLATE of the display cabinet as shown. Once in position secure using 4x (030-000830-SB) M8x30 HEX BLT BLK and 4x (060-F00800) M8 WSHR FLAT.

### STEP 2 SECURING THE BILLBOARD



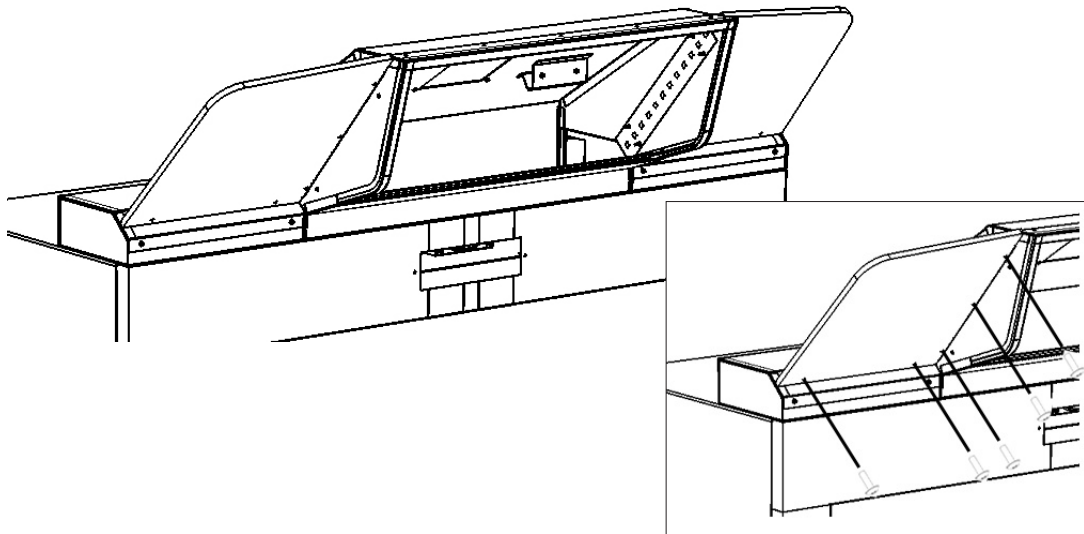
Place the ASSY BILLBOARD on to the DISPLAY CABINET as shown and secure from the top using 6x M6x20 HEX BOLTS

STEP 3



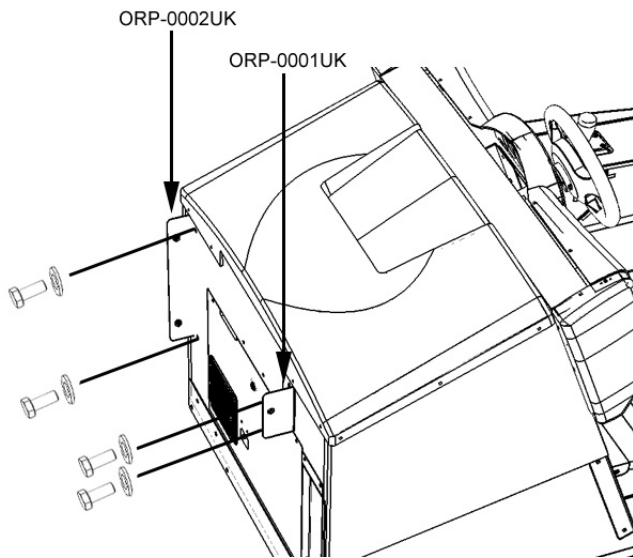
Make the electrical connection from the ASSY BILLBOARD in to the roof of the DISPLAY cabinet on the LHS.  
Place both covers (FD-0505UK) on to the ASSY BILLBOARD and secure using 8x 000-T00412-0B M4x12 Truss head screws (black).

STEP 4



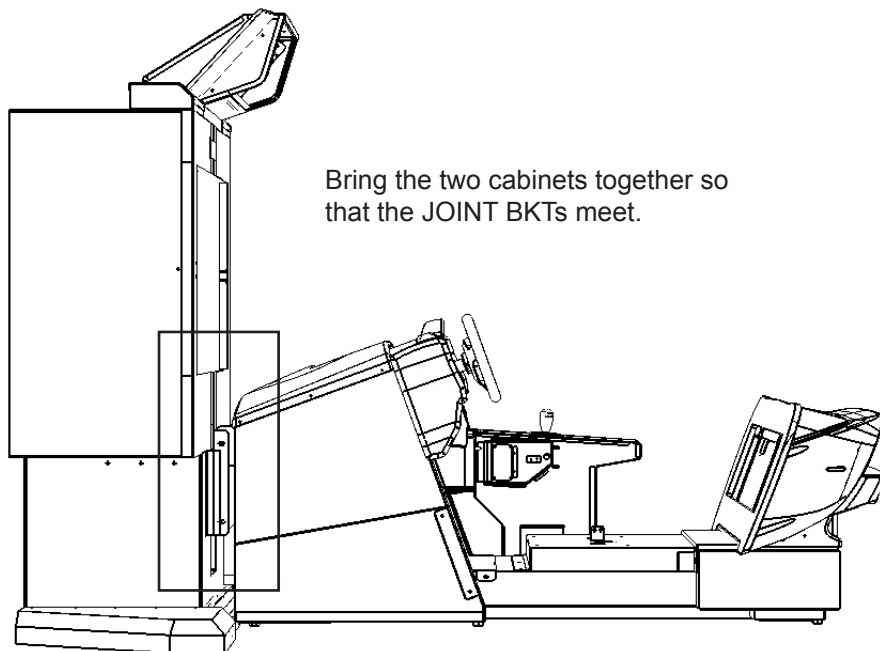
Fit the BILLBOARD PLATE L (FD-0501UK) and BILLBOARD PLATE R (FD-0502UK) to the ASSY BILLBOARD as shown and secure using 10x (000-T00412-0B) M4x12 Truss head screws (black).  
**IMPORTANT - DO NOT USE POWER TOOLS TO SECURE THIS PART. DO NOT OVERTIGHTEN AS THE PART MAY CRACK.**

STEP 5



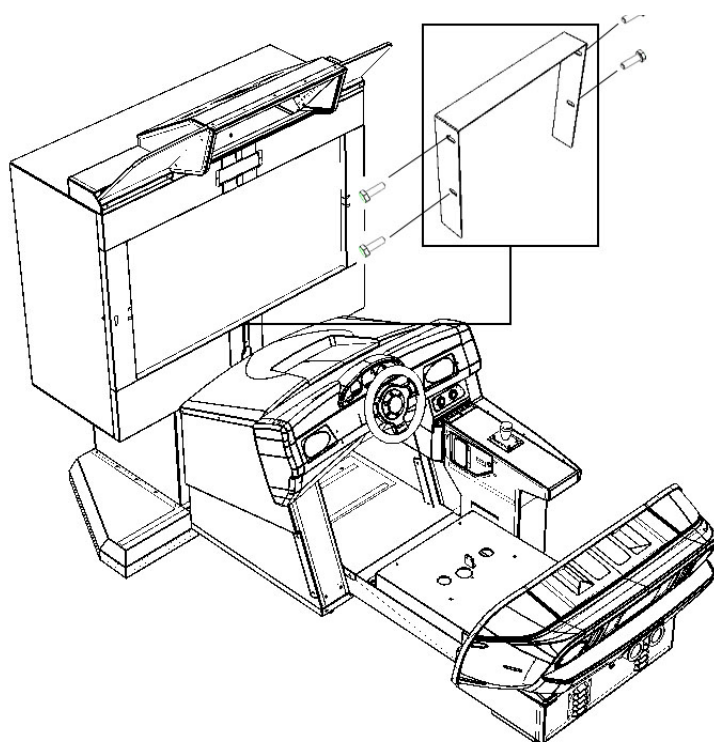
Fit and secure both JOINT BKTS (ORP-0002UK and ORP-0001UK) to the front of the MAIN CABINET ASSY using 4x M8x30 HEX BLT (030-00830-SB).

STEP 6



Bring the two cabinets together so that the JOINT BKTS meet.

STEP 7



Fit the cover plate over the JOINT BKTS and secure using 4x M8X30 bolts black.

Complete.

## PRECAUTIONS TO BE HEDED BEFORE STARTING THE OPERATION

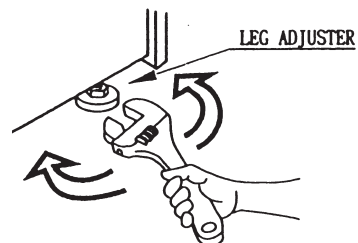
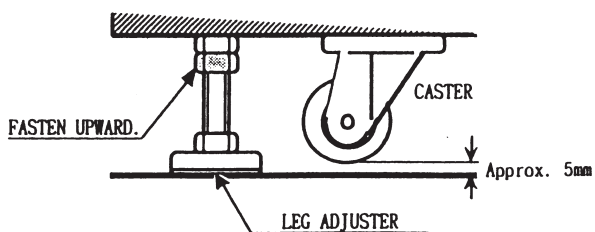
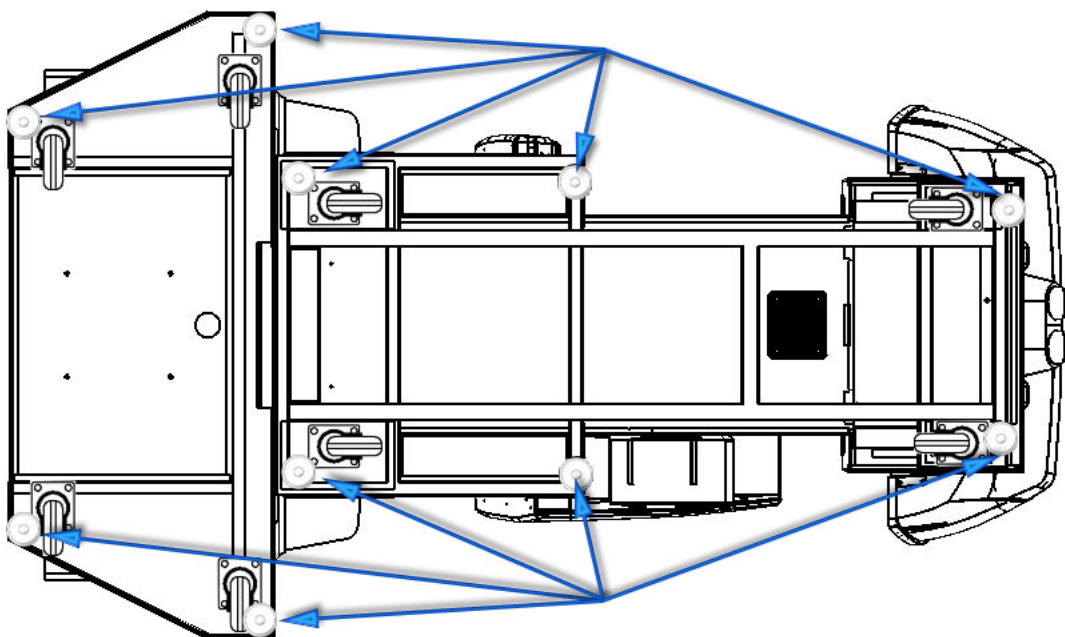


**WARNING**

- Make sure that all adjusters are in contact with the floor. If they are not, the cabinet may move and cause an accident.

- Transport the machine to its location.
- Have all of the adjusters make contact with the floor. Adjust the adjuster's height by using a wrench so that the machine position is kept level.
- After making adjustment, fasten the adjuster nut upwards and secure.

Lower the adjusters so that the castors are approx 5mm from the floor



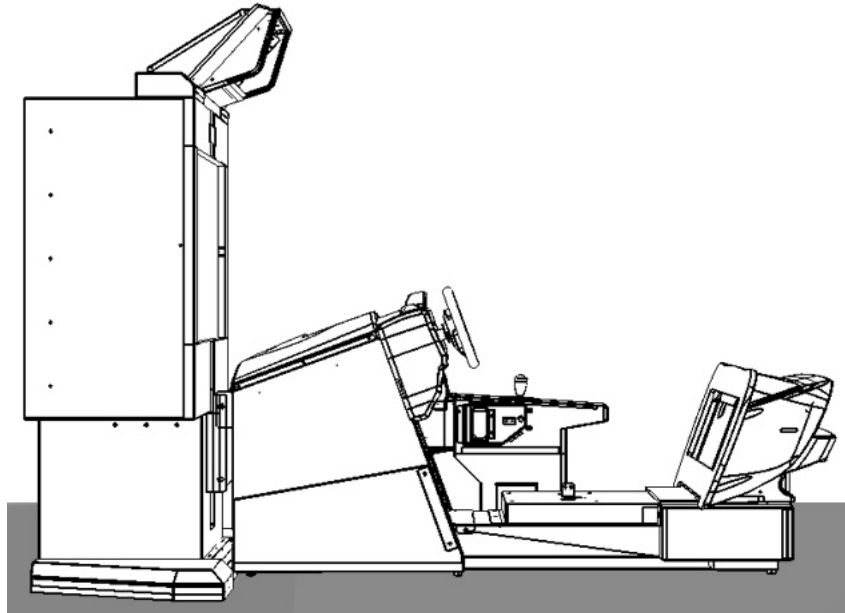
## SECURING INTO PLACE

To avoid injury, be sure to constantly give careful attention to the behaviour and manner of visitors and players.



In order to avoid accidents, check the following before starting the operation of the machine.

- Check if all the adjusters are in contact with the floor. If they are not, the cabinet may move and cause an accident.
- Do not put any heavy items on this product. Placing any heavy item on the product can cause an accident if it falls
- Do not climb on the product. Climbing on the product can cause an accident if anyone falls. To check the top portion of the cabinet, use a set of step ladders.
- To avoid electric shock, check all doors are secure and all protective covers in place.
- To avoid the risk of electric shock, short circuit or damage, do not put the following items on or in the vicinity of the product: Flower vase, cups, water tanks, cosmetics and or any vessels containing water or chemicals.



To avoid injury, be sure to provide sufficient space considering the potential crowded situation at the installation location. Insufficient installation space may result in injury due to contact by a player or observer.



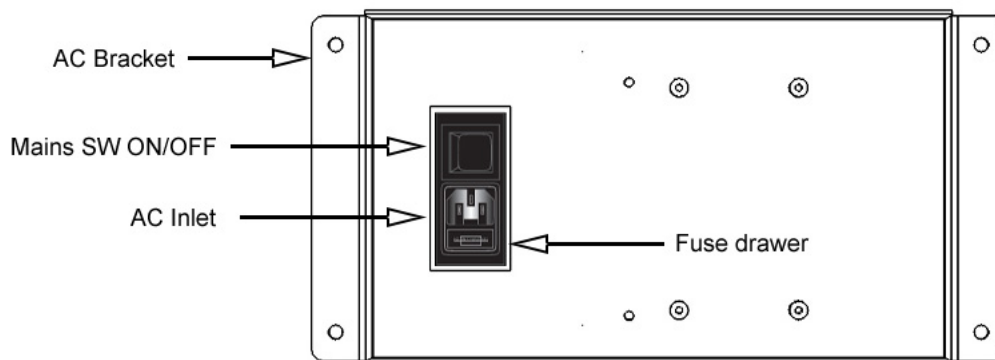
## INSTALLING POWER CABLES



- Be sure to use a power supply socket outlet equipped with an Earth Leakage Breaker. Using a power supply without an Earth Leakage Breaker can cause a fire when electric leakage occurs.
- Ensure that this product is earthed. This product is supplied with a power cord with an integral earth terminal.
- Ensure that the power cord is not exposed on the surface of the area where the machine is located. If exposed, it may be stood upon or caught by other machinery which may damage the power cord. The power cord can be an electric shock or fire hazard if damaged.
- Ensure that the power cord is not in the customers passage way, if the power cord has to be trailing along the floor then a protective cover must be used.

### **IMPORTANT! This product MUST be earthed**

The AC Bracket is mounted on the rear of the Display Cabinet. The AC Bracket incorporates the MAINS ON/OFF switch, Fuse, Primary Earth Terminal and the IEC AC Inlet socket.



3 pin power cord (UK)



2 pin power cord (EU)



Firmly insert the 3 pin power plug (UK) or the 2 pin power plug (EU) into the socket outlet. Insert the opposite end of the power cord into the AC inlet of the AC bracket.

Install suitable protective wire covering for the power cord to prevent any accidents or injury (not supplied).

## TURNING THE POWER ON



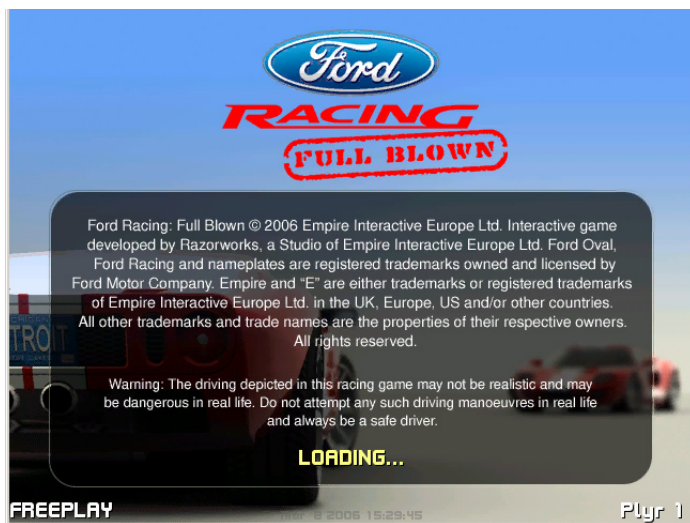
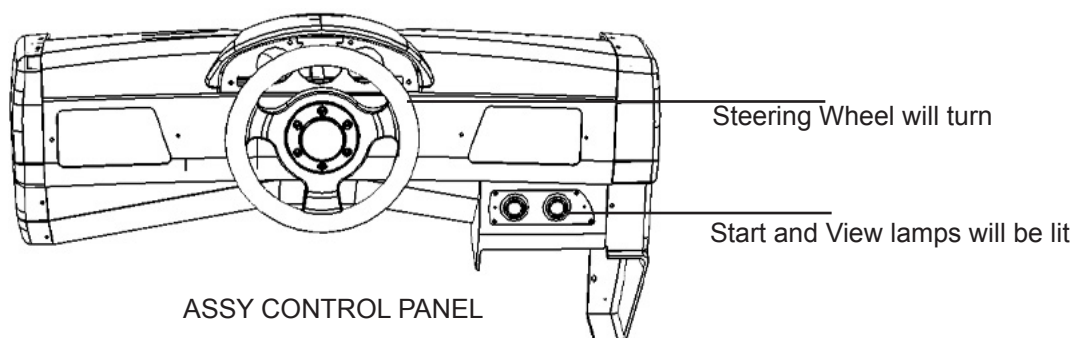
- During the Powering up stage the ASSY CONTROLLER (Steering Wheel) will move while initialising. Do not prevent the steering wheel from moving.
- During the Powering up stages the ASSY CONTROLLER (Steering Wheel) will move. DO NOT attempt to adjust or work under the bonnet area of the cabinet as the gears will move which can cause a finger trap hazard.

Turning the AC unit MAINS SW "ON" will cause the machine to start the POWER ON check and NETWORK check automatically.

In the POWER ON check the steering wheel may turn. DO NOT interrupt the steering wheel as it turns as it may cause problems during the game. If the steering wheel is accidentally interrupted during this procedure, the Service Engineer will be required to manually calibrate the steering in GAME TEST MODE.

During the network check "PLEASE WAIT" will appear on screen. When the network check has finished, the attract or advertising screen will be displayed.

PLEASE NOTE that the NETWORK CHECK will only commence if two or more cabinets are connected in series.

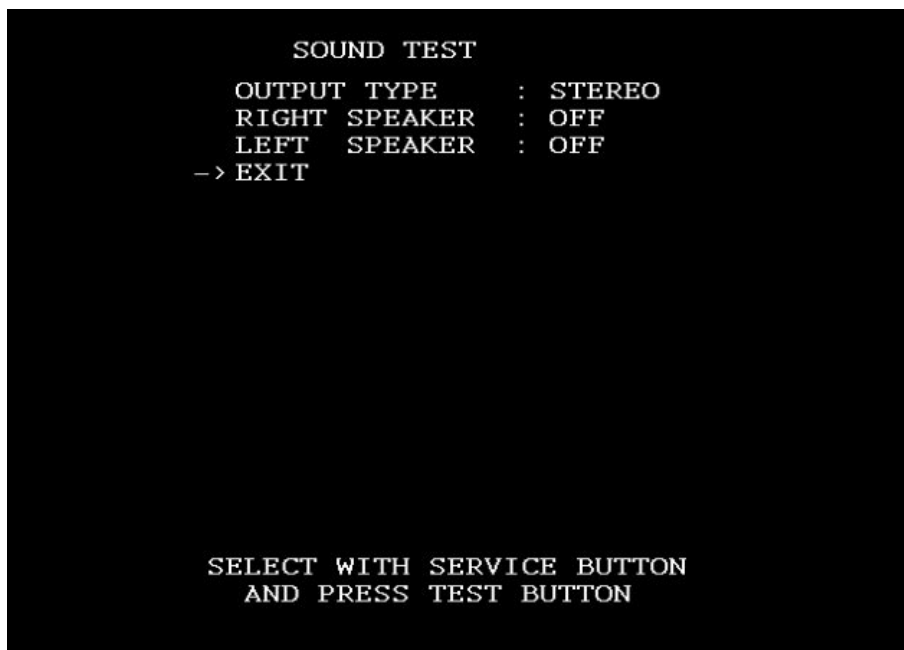
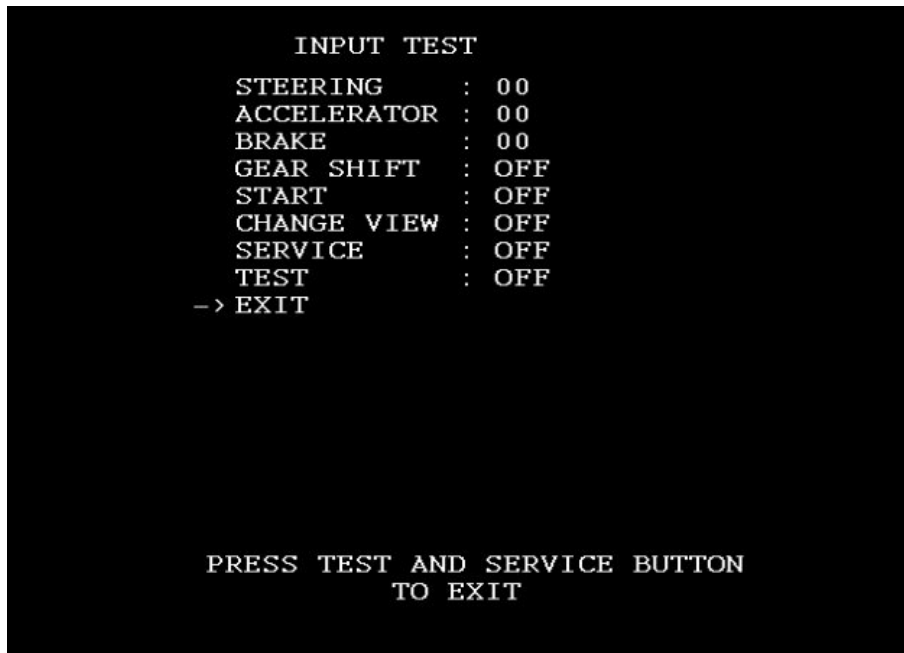


Initial start up screen

## ASSEMBLY CHECK

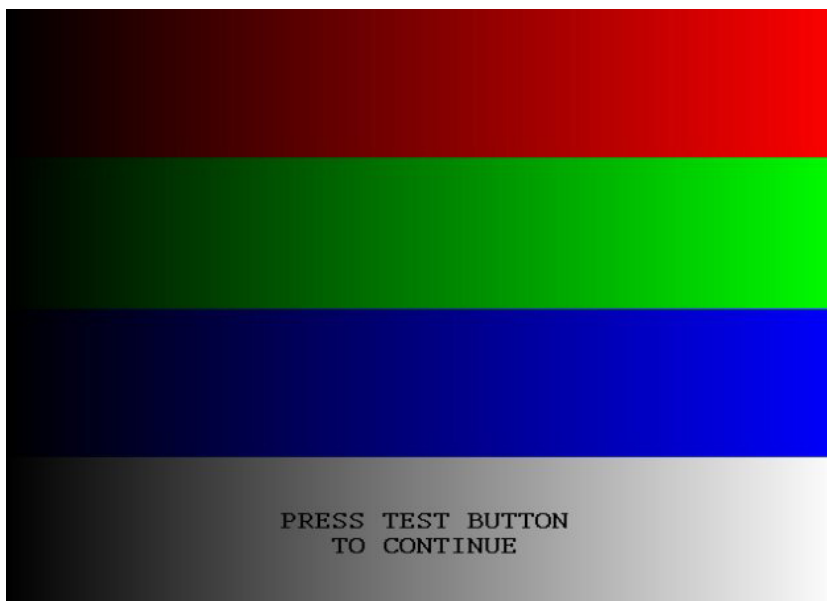
In the TEST MODE, ensure that the assembly has been made correctly and the GAME BD is satisfactory. In TEST MODE perform the following tests.

Select the INPUT TEST from the SYSTEM MENU. This screen enables the user to test individual inputs to the game. Once all input devices have been tested and proven to be in working order, press the test and service buttons to exit.



In the sound test, use the SERVICE switch to access the LEFT, RIGHT, FRONT and REAR speaker outputs. Check that all speakers are operational and that the sound is at a comfortable level.

Within the SYSTEM TEST menu, select the CRT TEST. Although the screen adjustments have been made before shipping, make sur that the image covers the complete veiwing area without loss of image. If necessary, adjust the image using the Remote control.



Screen 1 of 2



Screen 2 of 2

# BASIC GAME CONTENT

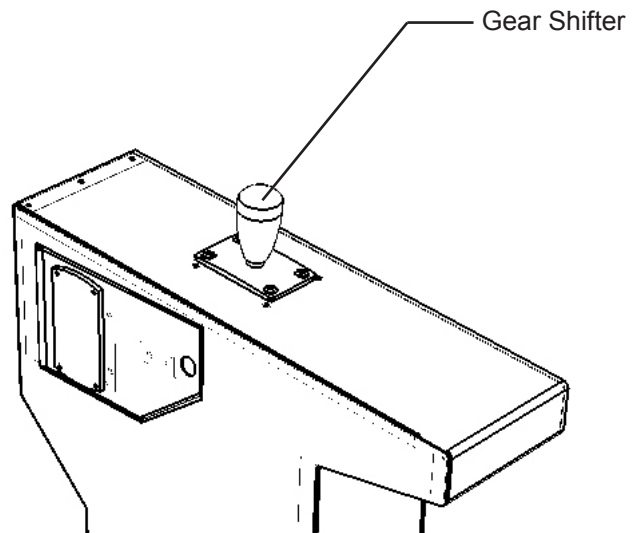
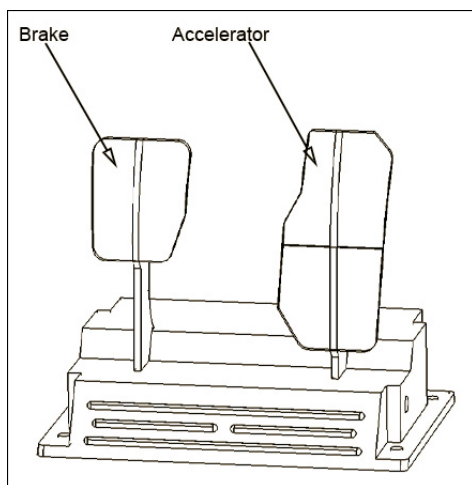
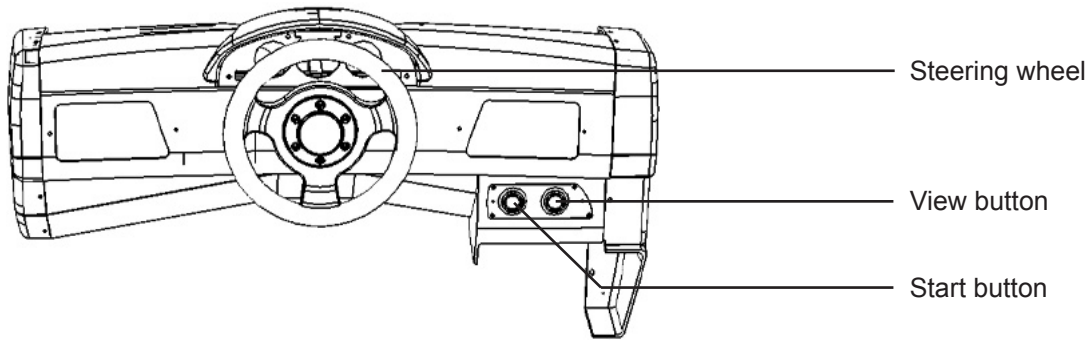
The following outlines basic routines to check whether the product is functioning satisfactory. If there is a deviation between what is explained in this section and the actual results of the machine then immediately look into the cause of fault and eliminate the cause to ensure satisfactory operation.

During the attract mode, the START button will flash, the BILLBOARD lamps will be lit and audio will be emitted from both left and right speakers. (There are no speakers in the seat assembly).

Sit in the Cockpit. The seat can be adjusted in either a forward or reverse positions. The lever is located on the lower right hand side in front of the seat. Pull this lever to make adjustments to the seat.

Insert a coin(s). The number of credit(s) is displayed in the bottom left hand side of the screen.

Press the "START" button and the game will start by employing the driver to select certain criteria's i.e. type of car, type of course.



## BASIC GAME CONTENT - OVERVIEW

The following outlines basic functions of the machine. Each function will be established either within the attraction mode or from within game.

Sequence LEDs flash during attraction mode.

Title panel is illuminated.

DLP displays game.

Interactive feedback from steering wheel.

Audio output from 5 speakers.

Sequence LEDs within the brake and reverse lights flash.



Concept image shown above.



# HOW TO PLAY

## BASIC CONTROLS

Insert coin and press credit transfer button to move credit to desired seat position. Press Start button to begin a game. Choose your car category, car, transmission and track. View choices with the steering wheel and enter your selection with the gas pedal.

During game play use the gas pedal to accelerate your car and the brake pedal to stop. In automatic transmission the brake pedal also cause the car to reverse if pressed when the car is stationary. In manual transmission use the gear shifter to shift up and down through the gears. The view change button cycles between three camera angles.

## GAME OUTLINE

The player controls a Ford car and races against six other cars to achieve a lap time record before the time limit is up. There is a great selection of tracks and cars. The off-road tracks can only be selected when a player selects a vehicle from the off-road category.

The race consists of three laps and the time limit is extended after each lap. If the time limit runs out the game is over. The game can be played alone against computer-controlled opponents or up to 3 twin cabinets can be linked for multiplayer games of up to 6 challengers

## GAME FLOW FOR SINGLE PLAYER MODE

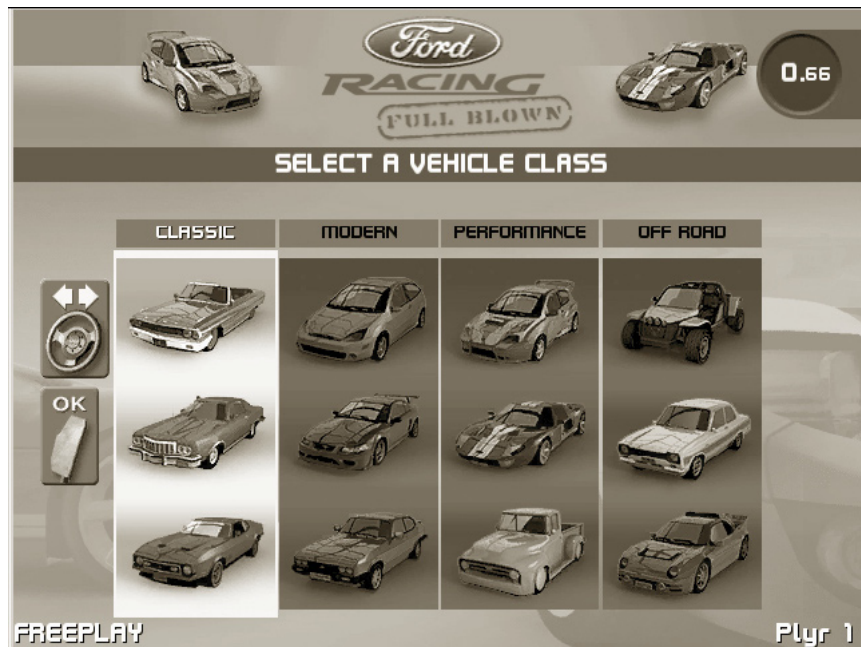
- Player inserts coin(s)
- Press the CREDIT button to transfer credits to the appropriate cabinet.
- Press the START button when credits are available.



- Menu screen offers single or multiplayer game option  
 Player uses steering wheel to move the selection to single player  
 Player presses the gas pedal to select single player



- The next option is to choose the vehicle class.  
 Player uses the steering wheel to move to the selection required  
 Player then presses the gas pedal to select to option.



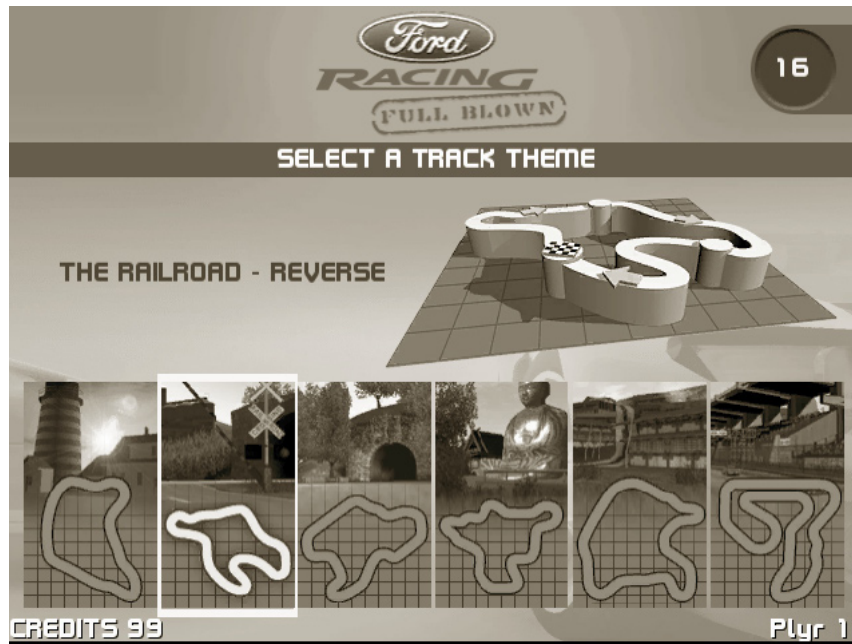
- Menu screen offers 6 cars in three difficulty levels (Beginner, Intermediate & Advanced)  
 Player uses steering wheel to move the selection to desired choice  
 Player presses the gas pedal to select their chosen car



- Menu screen offers Automatic or Manual transmission  
 Player uses steering wheel to move the selection to desired choice  
 Player presses the gas pedal to select their chosen transmission



- Menu screen offers a selection of 6 tracks  
Player uses steering wheel to move the selection to desired choice  
Player presses the gas pedal to select their chosen category



### Race begins

The screen below shows a screenshot of a race in progress.





On screen displays are highlighted and labelled in the image blow.



During the race the player can select from three different viewpoint by pressing the view button. These view points are: In Car, behind close and behind far. The rear view mirror is only available to the player in the "In Car" viewpoint.

The player must use their skill to finish the race in the time allotted to them. If their total race time is fast enough they are given the ability to enter three initials next to their score in the high score table.



## GAME FLOW FOR MULTIPLAYER MODE

Game flow:

- Players inserts coin
- "Press Start" flashes on screen to notify the players
- The players presses the start button



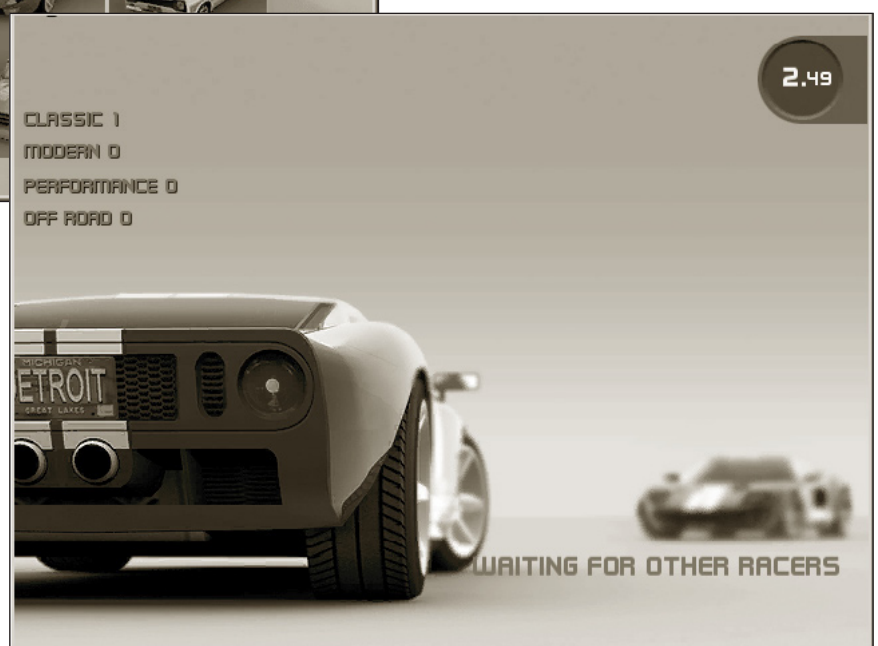
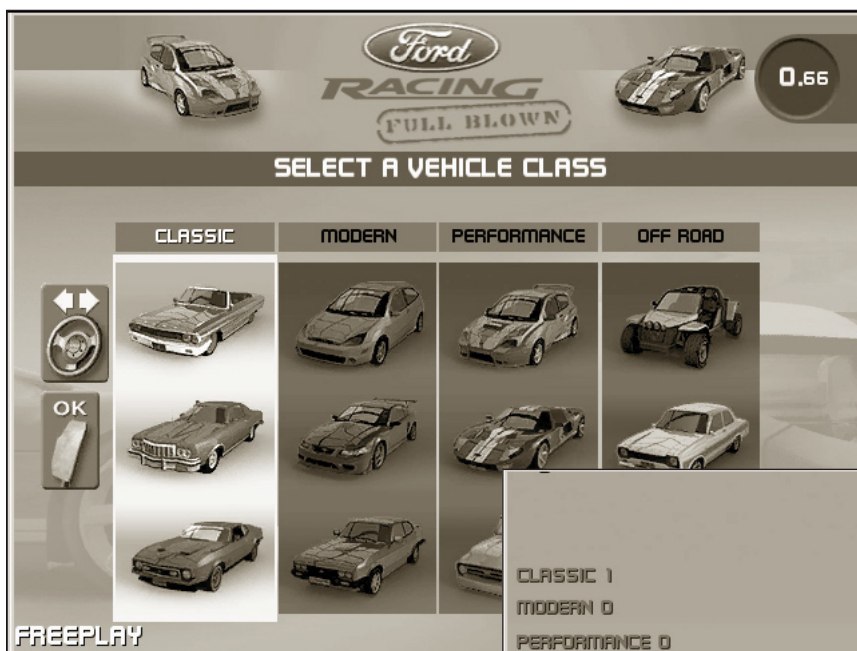
- Menu screen offers single or multiplayer game options
- Players use steering wheel to move the selection to multiplayer
- Players press the gas pedal to select multiplayer



Players wait for other players to join the game



- Menu screen offers car categories of classic, modern, performance and off-road
- Players use steering wheel to move the selection to desired choice
- Players press the gas pedal to select their chosen category



If players select different categories then a voting system is employed so that the category chosen by the greatest number of players is used



- Menu screen offers 6 cars in three difficulty levels (Beginner, Intermediate & Advanced)
- Player uses steering wheel to move the selection to desired choice
- Player presses the gas pedal to select their chosen car



- Menu screen offers Automatic or Manual transmission
- Player use steering wheel to move the selection to desired choice
- Players press the gas pedal to select their chosen transmission





- Menu screen offers a selection of 6 tracks.
- Players use steering wheel to move the selection to desired choice.
- Players press the gas pedal to select their chosen category.
- If players select different tracks then a voting system is employed so that the category chosen by the greatest number of players is used.



- Race begins

## TECHNIQUES AND SECRETS

### Super Start

If a player keeps the Revs of their car between 5,000 and 6,000 when the race begins they are given a speed boost.

### Hidden Shortcuts

Some of the tracks have hidden shortcuts that can help reduce lap times.

### Cars

The table below details all the cars available. Please note that only the cars for your given region (US or European) will be available. The Update column details the cars that will be swapped out with the vehicles marked with a \* on the preset update day.

Start up		Update	
Europe	US		
1 1970 Mk1 Capri RS2600	1 1972 Ranchero GT	1 '55 Thunderbird	
2 '76 Gran Torino	2 '71 Mustang Mach 1	2 1972 Ranchero GT	
3 '68 Mustang GT	3 '76 Gran Torino		
4 '71 Mustang Mach 1	4 '66 Fairlane GT		
5 '66 Fairlane GT*	5 '64 Galaxie 500*		
6 '64 Galaxie 500*	6 66 Thunderbird Convertible*		

### Modern

Start up		Update	
Europe	US		
1 1978 Mk III Capri 3.0S	1 Crown Victoria*	1 Fortynine Concept	
2 SVT Focus	2 SVT Focus	2 SVT Lightning	
3 SVT Cobra	3 SVT Cobra		
4 2004 Mondeo ST220	4 2003 Limited Edition Thunderbird		
5 1999 Racing Puma*	5 Powerstroke Concept		
6 2004 SVT Lightning*	6 2004 SVT Lightning*		

### Performance

Start up		Update	
Europe	US		
1 Focus FR200*	1 Focus FR200	1 Mustang GT-R	
2 1992 Escort RS	2 Indigo Concept	2 GT90 Concept	
3 Ford GT	3 Ford GT		
4 2005 Mustang GT	4 2005 Mustang GT		
5 1987 Sierra RS500	5 Mustang FR500*		
6 FR100 Concept*	6 FR100 Concept*		

### Off road

Start up		Update	
Europe	US		
1 1999 Focus Rally Car	1 Ex Concept	1 48 F1	
2 1973 Escort RS2000	2 2004 F-150 FX4	2 Explorer Sport Trac XLT	
3 1985 RS200	3 F-350 XLT Sport		
4 F-350 XLT Sport	4 F-150 4x4 Flareside		
5 Ex Concept*	5 '65 F-100*		
6 2004 F-150 FX4*	6 '56 F-100*		

The tables below detail the tracks available to select initially and after the preset update day.

**Initial Tracks**

<b>Road Tracks</b>		<b>Off Road Tracks</b>	
1	Harbour – Forward	1	White Sands - Reverse
2	Railroad – Reverse	2	Voodoo Village - Forward
3	Quaker Town – Forward	3	Colonial Grounds - Reverse
1	Mountain Village - Forward	1	Fishing Town - Forward
2	Summit Trials - Reverse	2	Logging Company - Reverse
3	Race Track	3	Oil Refinery – Forward

**Update Tracks**

<b>Road Tracks</b>		<b>Off Road Tracks</b>	
1	Harbour – Reverse	1	White Sands - Forward
2	Quaker Town – Reverse	2	Voodoo Village - Reverse
3	Race Track	3	Colonial Grounds – Forward
1	City Highway - Forward	1	Fishing Town - Reverse
2	Mountain Village - Reverse	2	Logging Company - Forward
3	Summit Trials - Forward	3	Oil Refinery - Reverse

NOTE: The updated tracks become available only when the AUTO UPDATE has taken place.

Please see the next section in this manual regarding the UPGRADE of software.

## UPGRADES

This product comes with an AUTOMATIC upgrade in software.

On the 1st March 2007 the machine will perform an AUTOMATIC UPGRADE and the software will be updated to give the player a number of NEW racing track and NEW cars.

28 days prior the OFFICIAL software drop, players will be advised that an UPGRADE will take place. The machine will display a 28 DAY counter during the attract mode.



- Only QUALIFIED SERVICE PERSONNEL should carry out updates in software.

Once the UPGRADE has taken place the operator is able to access the GAME TEST MODE and chooses to enable either UPGRADE or STANDARD version by turning the UPGRADES ON/OFF.

```
GAME TEST
Language : english
DifficultyLevel : medium
SoundEffectsVolume : high
SpeechVolume : high
AmbientVolume : high
IngameMusicVolume : high
MenuMusicVolume : high
AttractModeVolume : high
-> EXIT

SELECT WITH SERVICE BUTTON
AND PRESS TEST BUTTON
```

GAME TEST SCREEN BEFORE UPGRADE

```
GAME TEST
UPGRADES : ON
Language : english
DifficultyLevel : medium
SoundEffectsVolume : high
SpeechVolume : high
AmbientVolume : high
IngameMusicVolume : high
MenuMusicVolume : high
AttractModeVolume : high
-> EXIT

SELECT WITH SERVICE BUTTON
AND PRESS TEST BUTTON
```

GAME TEST SCREEN AFTER UPGRADE

## TEST MODE

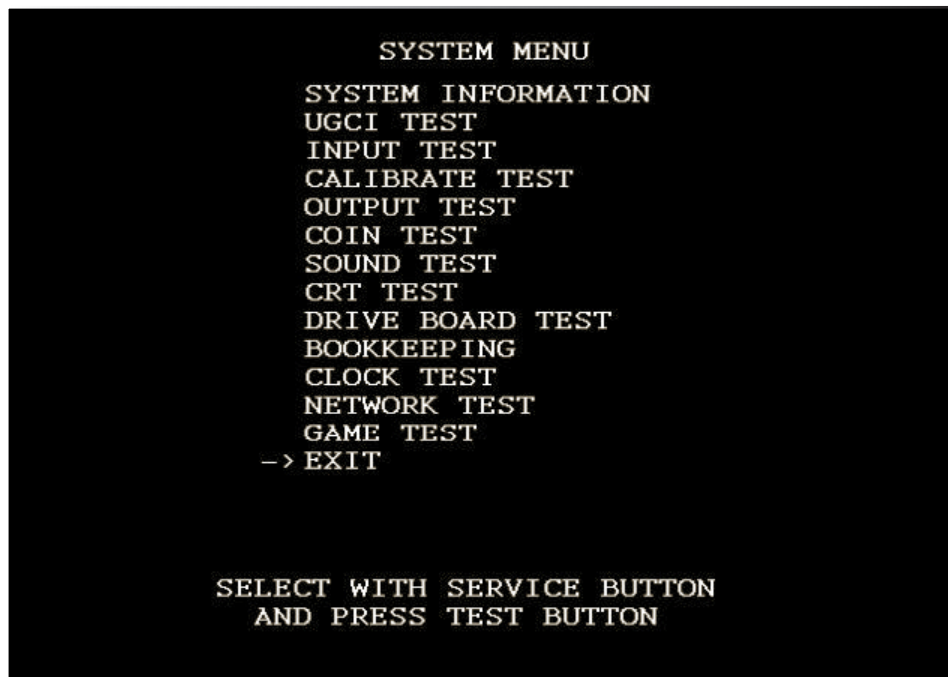


**IMPORTANT**

- When changes are made in the TEST MODES, be sure to EXIT from each TEST MENU in turn before returning to GAME MODE. If power is removed whilst the machine is in TEST MODE, any changes made will not take effect.

The Test Menu allows the functioning of each part of the cabinet to be checked, the monitor to be adjusted and the coins and various related game setting to be changed.

- Press the test button to enable the TEST MODE to be displayed on screen.
- Press the SERVICE BUTTON to move the pointer on-screen to the desired function.
- Once the desired function has been established, press the TEST BUTTON to enter.



SYSTEM INFORMATION	Displays general information on installed software and hardware.
UGCI TEST	Displays test routines for UGCI communications.
INPUT TEST	Displays test routines for input devices.
CALIBRATE TEST	Displays calibration test for input devices.
OUTPUT TEST	Displays test routines for output devices.
COIN TEST	Displays test routine for coin handling devices.
SOUND TEST	Displays test routine for audio outputs.
CRT TEST	Displays test routine for visual adjustment.
DRIVE BOARD TEST	Displays test routines for steering force feedback system.
BOOKKEEPING	Displays pages of various game information.
CLOCK SETTING	Displays the setting for the internal clock.
NETWORK TEST	Displays test routine for communications.

The operator uses the SERVICE button to select the desired test routines and presses the TEST button to activate choice.

## SYSTEM INFORMATION

This test displays general system information regarding the hardware configuration and installed software.

```
                SYSTEM INFORMATION
SYSTEM ID      : 12345678
DISK IMAGE    : Alpha
LAUNCHER      : 0.2.16
GAME SHELL    : 0.2.16
GAME NAME     : FORDRACING
GAME VER      : 1.0
UGCI VER      : 5.2
IBUTTON       : FORDRACING
-> EXIT

                PRESS TEST BUTTON TO EXIT
```

SYSTEM ID	A unique 64 bit ID code to identify the system
DISK IMAGE	Version number for master disk image
LAUNCHER VERSION	Version number for System Launcher
GAME SHELL VERSION	Version number for Game Shell
GAME NAME	Name of the installed game
GAME VERSION	Version number of installed game
UGCI VERSION	Hardware version of installed UGCI board
IBUTTON	Type of iButton installed (Game Name or SYSTEM). If no iButton is installed, then a NOT FOUND message is shown
EXIT	Return to SYSTEM MENU

The user cannot modify any of the parameters in this test. The user must press the TEST button to exit this test.

## UGCI TEST

This test is used to test the network link between the computer and the UGCI board.

```
UGCI TEST
COIN COUNT 1 : 0A
COIN COUNT 2 : 00
VERSION      : UNKNOWN
UGCI STATUS  : NOT CONNECTED

-> EXIT

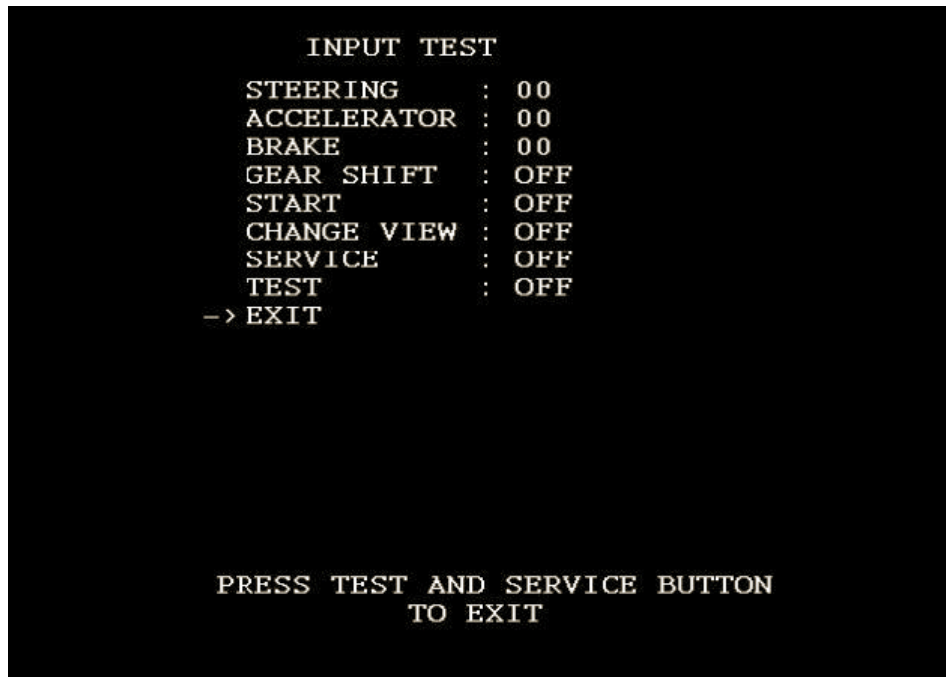
PRESS TEST BUTTON TO EXIT
```

COIN 1 COUNT	Value of UGCI NVR coin count 1
COIN 2 COUNT	Value of UGCI NVR coin count 2
VERSION	Version number of UGCI board
UGCI STATUS	OK is the system can communicate with the UGCI board, otherwise a NOT CONNECTED message is shown.
EXIT	Return to SYSTEM MENU

The user cannot modify any of the parameters in this test. The user must press the TEST button to exit this test.

## INPUT TEST

This test is used to test and calibrate the peripherals connected to the UGCI interface.



STEERING	00H = Full Left lock, 80H = Centre, FFH = Full right lock
ACCELERATOR	00H = pedal fully up, FFH = pedal fully down
BRAKE	00H = pedal fully up, FFH = pedal fully down
GEAR SHIFT	UP = stick up, N = stick central, DOWN = stick down
START	On = pressed, OFF = not pressed
CHANGE VIEW	On = pressed, OFF = not pressed
SERVICE	On = pressed, OFF = not pressed
TEST	On = pressed, OFF = not pressed
EXIT	Exit to System Menu

Please refer to the CALIBRATION TEST for calibrating the hand and foot controllers.

As this test will check for functionality of both the TEST and SERVICE buttons, in order to exit this test, BOTH buttons must be pressed simultaneously.



## CALIBRATION TEST

This test is used to calibrate the analogue system input devices, i.e. the steering wheel, throttle pedal and brake pedal.

```

                                CALIBRATE TEST
                                STEERING LEFT VAL   : 00
                                STEERING RIGHT VAL  : FF
                                BRAKE DOWN VAL     : FF
                                BRAKE UP VAL       : 00
                                THROTTLE DOWN VAL  : FF
                                THROTTLE UP VAL    : 00
                                CALIBRATE STEERING
                                CALIBRATE BRAKE
                                CALIBRATE THROTTLE
                                -> EXIT

                                SELECT WITH SERVICE BUTTON
                                AND PRESS TEST BUTTON

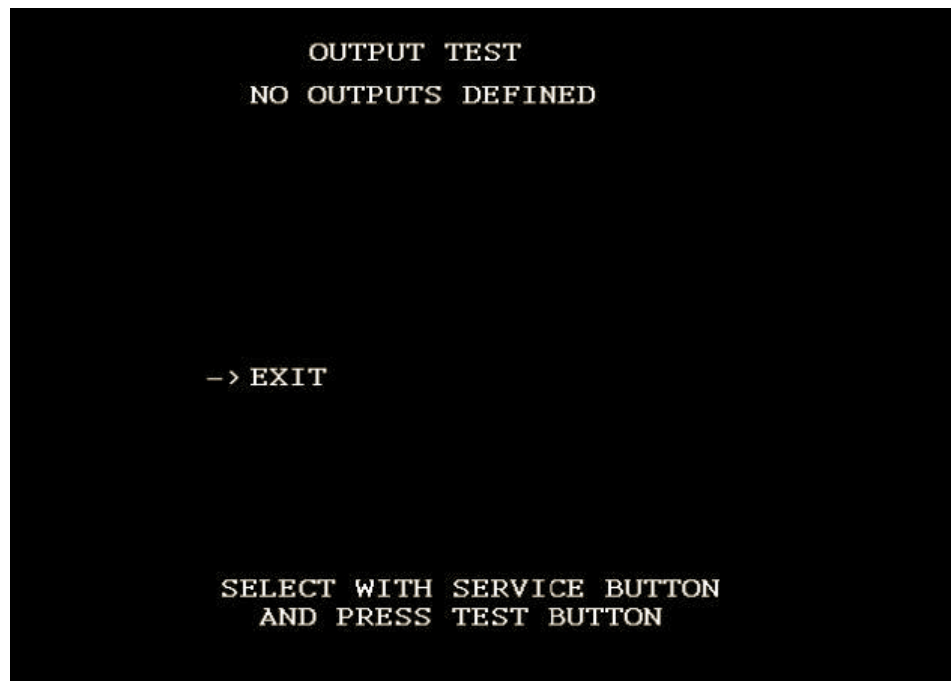
```

STEERING LEFT VAL	The current maximum left position of the steering wheel
STEERING RIGHT VAL	The current maximum right position of the steering wheel
BRAKE DOWN VAL	The current maximum down position of the brake pedal
BRAKE UP VAL	The current maximum up position of the brake pedal
THROTTLE DOWN VAL	The current maximum down position of the throttle pedal
THROTTLE UP VAL	The current maximum up position of the throttle pedal
CALIBRATE STEERING	Starts the steering calibration routine. The user must follow the on screen prompts to turn the wheel full left and then full right
CALIBRATE BRAKE	Starts the brake calibration routine. The user must follow the on screen prompts to fully depress and then release the brake pedal
CALIBRATE THROTTLE	Starts the throttle calibration routine. The user must follow the on screen prompts to fully depress and then release the throttle pedal.
EXIT	Exit to System Menu

The user will use the SERVICE button to select the desired test and the TEST button to activate the test.

## OUTPUT TEST

This test is used to test any output signals (i.e. lamps) from the system.

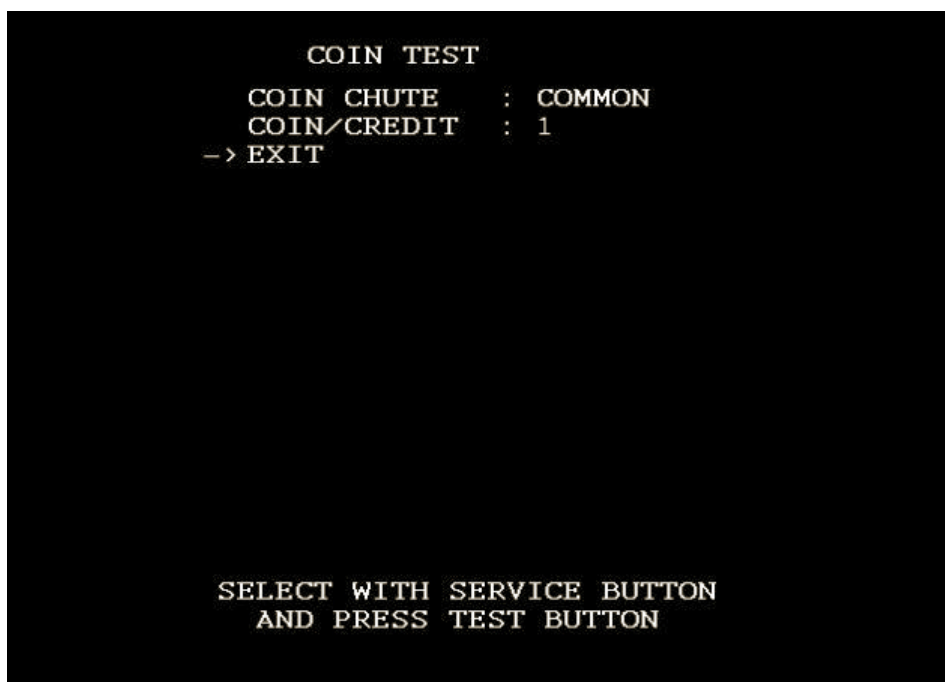


EXIT Exit to System Menu

There are currently no output tests defined. Use the TEST button to return to the System Menu.

## COIN TEST

This test is used to set coin related parameters.:



COIN CHUTE

This option is fixed to COMMON

COIN/CREDIT

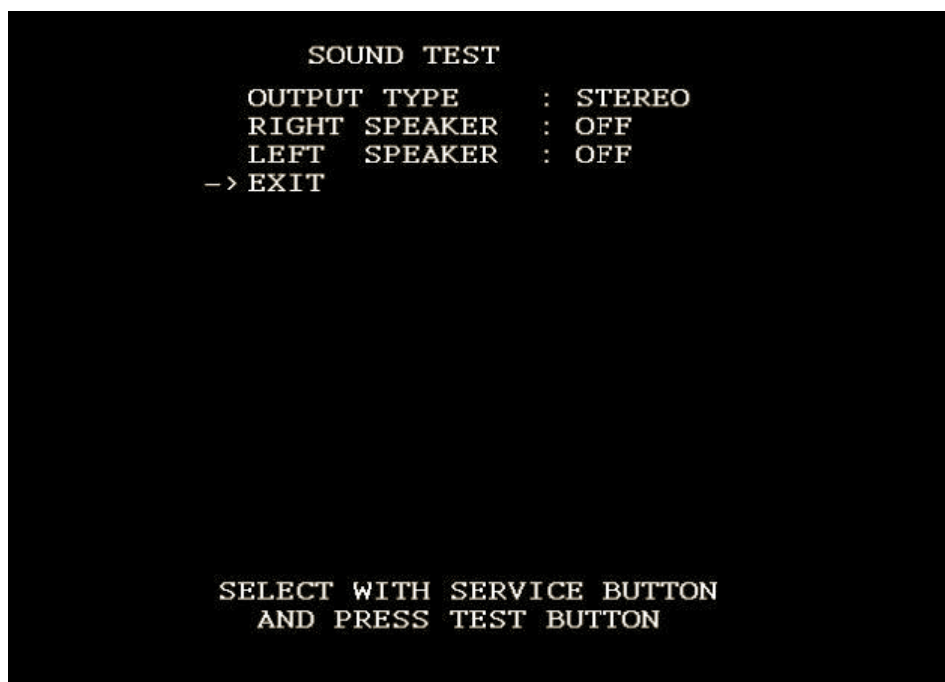
This is used to select how many credits per play are required. There are currently two options : 1 indicates 1 credit per play, and FREEPLAY indicates that no credits are required for play. Note that the actual value of coins required for 1 credit is defined by the VTS board settings.

EXIT Exit to System Menu

The user can select the LEFT and RIGHT speaker status to ON or OFF to test that speaker channel. Use the TEST button to return to the System Menu.

## SOUND TEST

This test is used to test the audio system is working correctly :



OUTPUT TYPE	This option is fixed to STEREO
RIGHT SPEAKER	When ON, a sound will be played from the RIGHT speaker
LEFT SPEAKER	When ON, a sound will be played from the LEFT speaker
EXIT	Exit to System Menu

The user can select the LEFT and RIGHT speaker status to ON or OFF to test that speaker channel. Use the TEST button to return to the System Menu.

## CRT TEST

This test is used to test the game display is working correctly. It consists of two screens :



COLOUR TEST

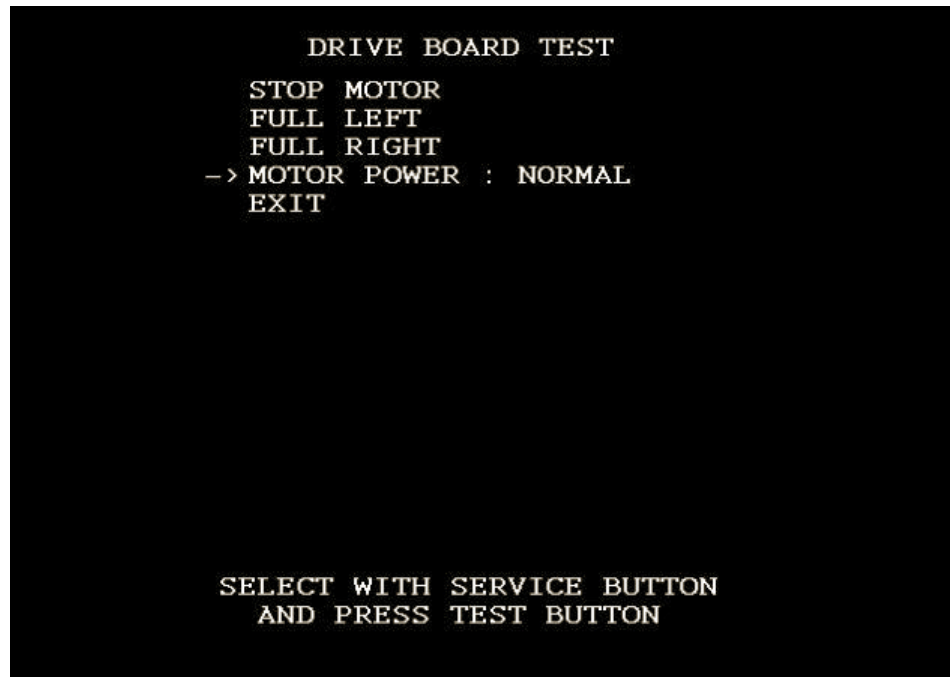


GRID TEST

Press the TEST button to move from COLOUR TEST to GRID TEST. Press the TEST button again to return to the System Menu.

## DRIVE BOARD TEST

This test is used to test the steering force feedback mechanism.



STOP MOTOR	Turn off all drive signals to the force feedback motor
FULL LEFT	Apply a maximum left signal to the force feedback motor (subject to power setting)
FULL RIGHT	Apply a maximum right signal to the force feedback motor (subject to power setting)
MOTOR POWER	This has four settings : NORMAL : A normal torque setting STRONG : A strong torque setting (recommended for adult only environments) WEAK : A very weak torque setting (recommended for child only environments) NONE : No force feedback torque is applied.
EXIT	Exit to System Menu

Once the user has selected the required motor power, he can test the setting by using the FULL LEFT or FULL RIGHT test. All motor power will be removed when the user exits from the test.

## BOOKKEEPING

This test is used to review statistical data from the system. It consists of 3 main screens of data. Screen 1 contains an overview of game play data.

```
BOOKKEEPING 1/3
1PLYR GAMES PLAYED: 6
MPLYR GAMES PLAYED: 0
COIN CREDITS       : 1
SERVICE CREDITS   : 6
TOTAL TIME ON     : 0000:35:00
TOTAL 1PLYR TIME  : 0000:13:30
TOTAL MPLYR TIME  : 0000:00:00
AVERAGE 1PLYR TIME : 02:15
AVERAGE MPLYR TIME : 00:00
CLEAR HISCORES
CLEAR BOOKKEEPING
-> NEXT SCREEN

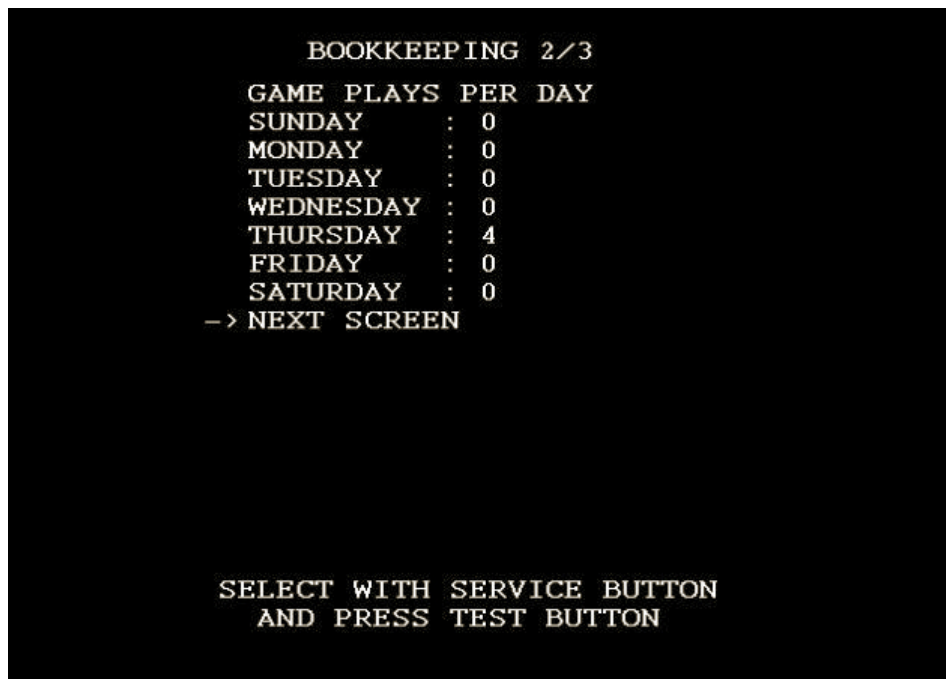
SELECT WITH SERVICE BUTTON
AND PRESS TEST BUTTON
```

1PLYR GAMES PLAYED	The total number of 1 player games played
MPLYR GAMES PLAYED	The total number of multi player games played
COIN CREDITS	The total number of coin credits entered
SERVICE CREDITS	The total number of service credits entered
TOTAL TIME ON	The total time the cabinet has been switched on, in HHHH:MM:SS
TOTAL 1PLYR TIME	The total time of all 1 player games played, in HHHH:MM:SS
TOTAL MPLYR TIME	The total time of all multiplayer games played, in HHHH:MM:SS
AVERAGE 1PLYR TIME	The average game time for a 1 player game
AVERAGE MPLYR TIME	The average game time for a multiplayer game
CLEAR HISCORES**	When selected, the user will be prompted to confirm, YES or NO. If the user selects YES, the high-score table is reset to factory default. If NO is selected, then no action is taken.
CLEAR BOOKKEEPING	When selected, the user will be prompted to confirm, YES or NO. If the user selects YES, all bookkeeping meters will be cleared to zero. If NO is selected, then no action is taken.

\*\*When HISCORES are to be reset from the bookkeeping test menu, all linked cabinets must be cleared. Put ALL linked cabinets into test mode and clear each of the HISCORES. Exit test and return to game on each cabinet.

NEXT SCREEN                      Proceed to bookkeeping screen #2

Bookkeeping Screen 2 contains a breakdown of game plays on a day to day basis.



SUNDAY	The total number of games played on a Sunday
MONDAY	The total number of games played on a Monday
TUESDAY	The total number of games played on a Tuesday
WEDNESDAY	The total number of games played on a Wednesday
THURSDAY	The total number of games played on a Thursday
FRIDAY	The total number of games played on a Friday
SATURDAY	The total number of games played on a Saturday
NEXT SCREEN	Proceed to bookkeeping screen #3



Bookkeeping Screen 3 contains a breakdown of game plays on a day to day basis.

```
BOOKKEEPING 3/3
GAME PLAYS PER HOUR
00-01 : 0      12-13 : 0
01-02 : 0      13-14 : 0
02-03 : 0      14-15 : 0
03-04 : 0      15-16 : 2
04-05 : 0      16-17 : 2
05-06 : 0      17-18 : 0
06-07 : 0      18-19 : 0
07-08 : 0      19-20 : 0
08-09 : 0      20-21 : 0
09-10 : 0      21-22 : 0
10-11 : 0      22-23 : 0
11-12 : 0      23-00 : 0
-> EXIT

SELECT WITH SERVICE BUTTON
AND PRESS TEST BUTTON
```

- 00 - 01      The total number of games played between midnight and 1am
- 01 - 02      The total number of games played between 1am and 2am
- 23 - 00      The total number of games played between 11pm and midnight
- EXIT        To return to the SYSTEM TEST MENU SCREEN.

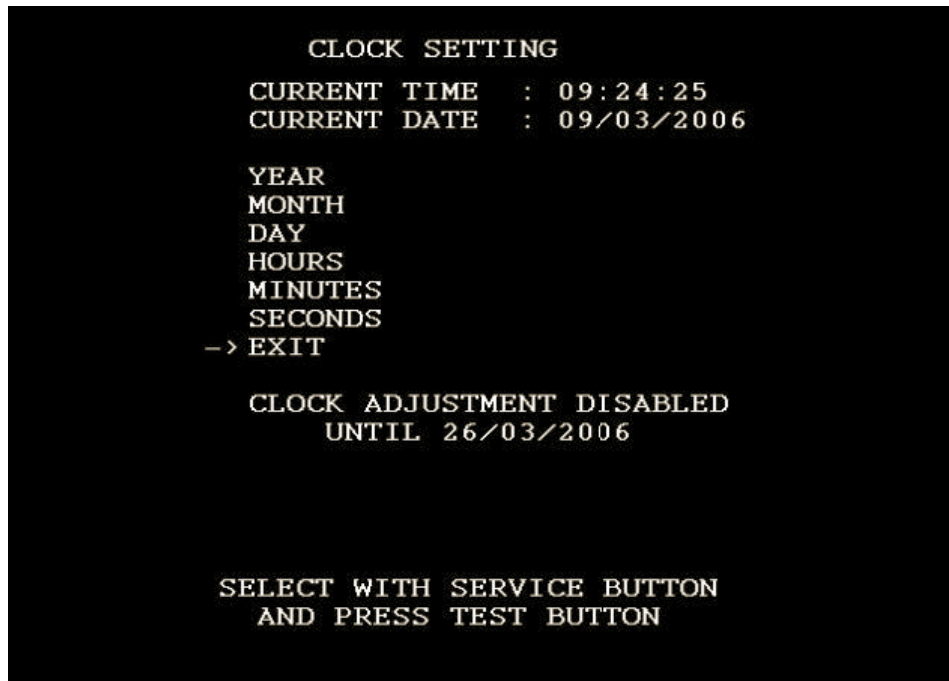
## CLOCK SETTINGS

This test is used to set the current time and date of the computer system.



**IMPORTANT**

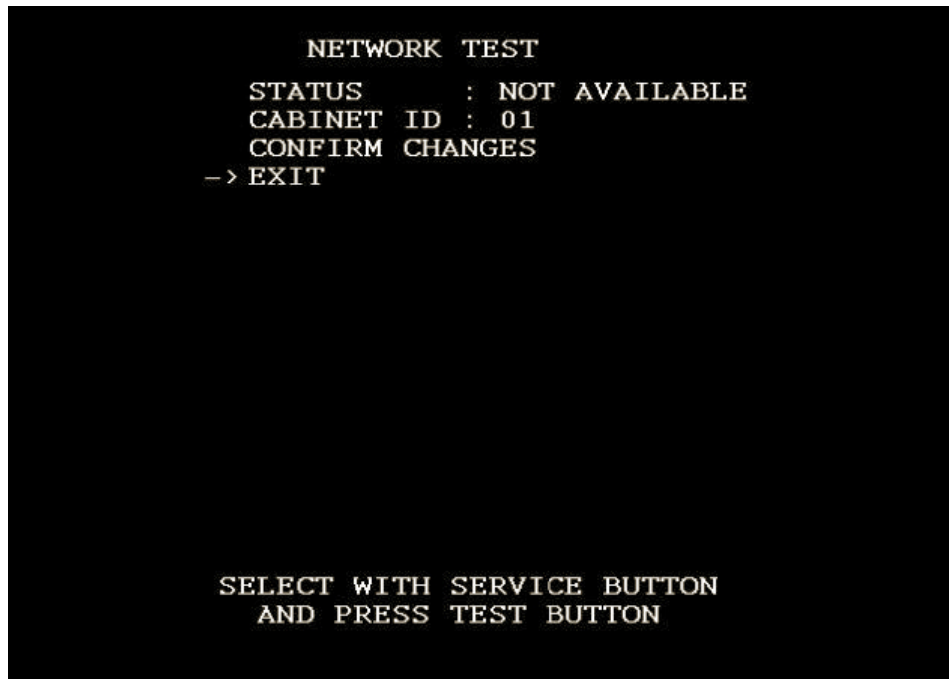
- Data cannot be changed until the AUTO UPDATE has been released. Once the AUTO UPDATE has been released and installed, only then can data be changed.



YEAR	Variable from 2000 to 2050
MONTH	Variable from 01 to 12
DATE	Variable from 1 to 28, 29, 30 or 31 (dependant on MONTH & YEAR)
HOURS	Variable from 0 to 23
MINUTES	Variable from 0 to 59
SECONDS	Variable from 0 to 59
EXIT	Exit to System Menu after adjusting clock to new value

## NETWORK TEST

This test is used to test the network link between two computers in a twin cabinet.



STATUS OK	if Ethernet link is operating, NOT AVAILABLE otherwise
CABINET ID	ID of this cabinet, variable from 1 to 6. No linked cabinets should have the same ID. Once changed, the user must select CONFIRM CHANGES to complete the setting.
CONFIRM CHANGES	The user will be prompted to confirm YES or NO. If YES is selected, the system will perform a system reboot. If NO is selected, no action will be action.
EXIT	Exit to System Menu

In order for the network status to display OK, BOTH sides of the cabinet must be set to network test. When selected, the test will send data packets between the two systems to validate the link. If the link is valid, the display will be shown OK. If the link is disconnected or otherwise not functioning, the display will show NOT AVAILABLE.

# GAME TEST MODE



- All default setting shown in BOLD.
- When setting the DIFFICULTY level, ALL cabinet MUST be set to the same setting.
- IF the DIFFICULTY settings differ from cabinet to cabinet then the value set on the PLAYER 1 cabinet will be used for all linked cabinets.

```
GAME TEST
UPGRADES : ON
Language : english
DifficultyLevel : medium
SoundEffectsVolume : high
SpeechVolume : high
AmbientVolume : high
IngameMusicVolume : high
MenuMusicVolume : high
AttractModeVolume : high
-> EXIT

SELECT WITH SERVICE BUTTON
AND PRESS TEST BUTTON
```

UPGRADES	UPGRADES ON – is displayed only after the official upgrade drop. The official upgrade drop for this edition will be 01/03/07.
LANGUAGE	Choose the language setting for the installed region. Choice is: English, Spanish, German, Italian and French.
DIFFICULTY LEVEL	Choose between: EASY, MEDIUM and HARD.
SOUND EFFECT VOLUME	Indicates the set volume level of the sound effects i.e. skidding, crashing. LOW, MEDIUM and HIGH.
SPEECH VOLUME	Indicates the volume level of speech. LOW, MEDIUM and HIGH.
AMBIENT VOLUME	Indicates the level of ambient sounds i.e. Birds tweeting. LOW, MEDIUM and HIGH.
IN GAME MUSIC VOLUME	Indicates the level of game music. LOW, MEDIUM and HIGH.
MENU MUSIC VOLUME	Indicates the level of music when selecting through the option menus. LOW, MEDIUM and HIGH.
ATTRACT MODE VOLUME	Indicates the level of music during the advertising mode. LOW, MEDIUM and HIGH.

Select EXIT with the SERVICE button and press the TEST button to EXIT.

## MAINTENANCE



**WARNING**

- This work should be carried out by **QUALIFIED SERVICE PERSONNEL**. Performing work by a non qualified person can lead to an electric shock or a short circuit hazard which may result in a fire or personnel injury.
- Be sure to remove power from the appliance before work commences.
- **NEVER** touch places or parts other than those specified. Touching places or parts not specified may cause electric shock or a short circuit hazard.
- Before starting any maintenance work, ensure that the power is disconnected and the machine is switched off. Failure to observe this precaution may cause injury or electric shock.
- Use care so as not to damage any wiring. Damaged wires can cause electric shock or a short circuit hazard.



**IMPORTANT**

- For IC board inspections only use a logic analyser / tester. The use of a multi-purpose tester is not permitted.
- When cleaning the CRT or display surface, use a dry soft cloth. **DO** not apply chemicals such as thinners, benzine, etc.
- The electronic parts of the IC board can be damaged due to static electricity carried by the human body. Before performing any IC board related work, be sure to discharge any physically accumulated static by touching a grounded metallic surface or by attaching an earth strap.

## Handle Mechanism



**WARNING**

- Be sure to turn power off before performing work.
- Immediately after the game has finished, the motor may still be very hot after operation. When performing any work when handling the motor, it may be necessary to wait until the motor has cooled.
- The motor unit is HEAVY. Please take care when moving.

In the TEST MODE, if the steering wheel's V.R. variations are not within the allowable range then replacement of the V.R is needed. Also be sure to apply grease to the gears of the V.R mechanism once every 3 months to provide optimum operation.

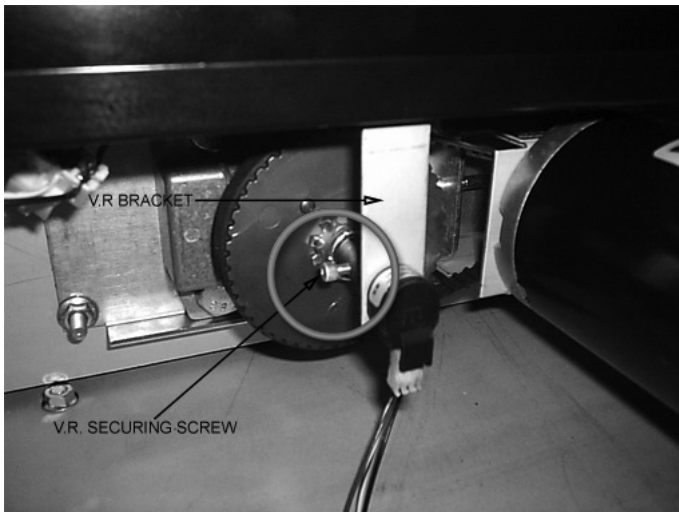


**IMPORTANT**

- After the replacement or adjustment of the handles V.R., be sure to set the correct values of the V.R. using the CALIBRATION TEST in the TEST MENU.

Replacing or adjusting the handles V.R.

1. Turn off the power to the machine and disconnect from its supply.
2. Remove the connector from the V.R. harness.
3. Remove the screws which secure the V.R. bracket to the Mecca Assy.
4. Remove the V.R. Assy.
5. Reconstruct in reverse order.
6. After replacing the V.R., perform the adjustment in the CALIBRATION TEST.



1. Adjustment for the V.R is carried out in the CALIBRATION TEST.
  2. Ensure that the steering wheel is in a central position before re-applying the V.R.
  3. Enter TEST MODE and then CALIBRATION TEST.
- (PLEASE REFER TO THE TEST MODE PAGES WITHIN THIS MANUAL FOR INSTRUCTION.)

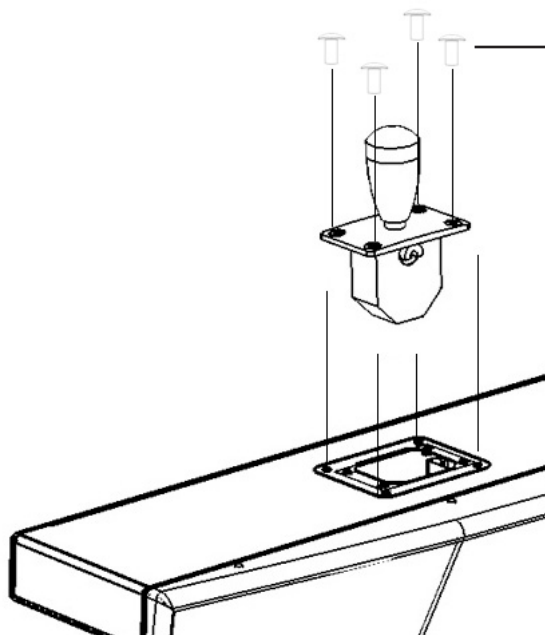
## Gear Shifter



- Be sure to turn power off before performing work.
- Failure to observe precautions may cause injury or electric shock.
- Use care so as not to damage wiring. Damaged wires can cause electric shock or fire hazard.
- Do not touch undesignated places. Touching places not specified can cause electric shock or fire hazard.

If the SHIFT lever is not satisfactory, remove the SHIFT lever in the following procedure to replace the microswitch.

## Gear Shifter



Tamper Proof Screws  
M5x12. black

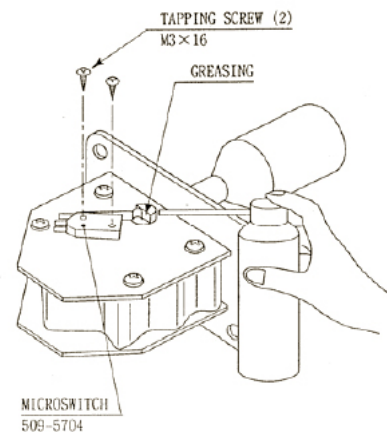
1. Turn the power off and disconnect the machine from the electrical supply.
2. Remove the 4 security screws located at the top near the lever knob.
3. Disconnect the harness and remove completely.

Each microswitch is secured using 2 machine screws. Remove the 2 screws and replace the microswitch using the illustration below.

1. Disconnect the wiring connectors of the switch which is to be replaced.
2. Remove the 2 self tap screws to remove the microswitch.

### GREASING

Apply grease once every 3 months to the specified areas to ensure smooth operation throughout the product life.



## Accelerator & Brake



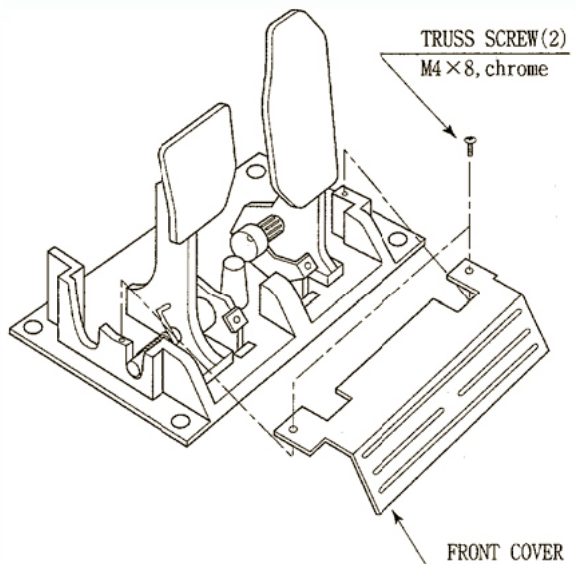
- Be sure to turn power off before performing work.
- Failure to observe precautions may cause injury or electric shock.
- Use care so as not to damage wiring. Damaged wires can cause electric shock or fire hazard.
- Do not touch undesignated places. Touching places not specified can cause electric shock or fire hazard.

If the Accelerator and Brake operation is not satisfactory, adjustment of the volume installation position or V. R. replacement is needed. Also, be sure to apply greasing to the gear portion once every 3 months.

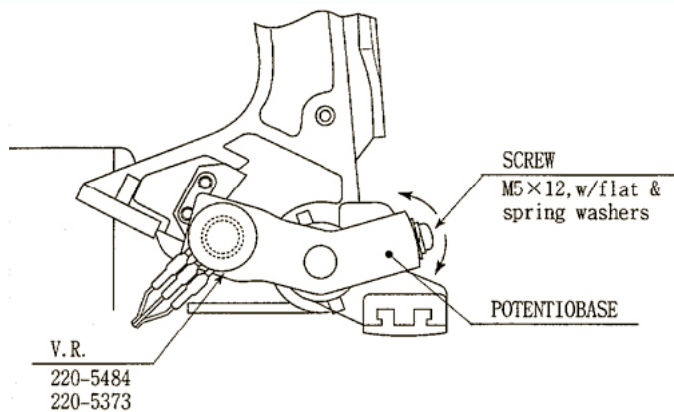
### Adjusting and replacing the V.R.

The appropriate value of each V.R. is 5K Ohms.

Since work is performed inside the energized cabinet, be careful so as not to touch undesignated portions. Touching places not specified can cause electric shock or short circuit condition.



1. Unscrew the 2 truss screws and remove the front cover from the Accelerator and Brake assembly.

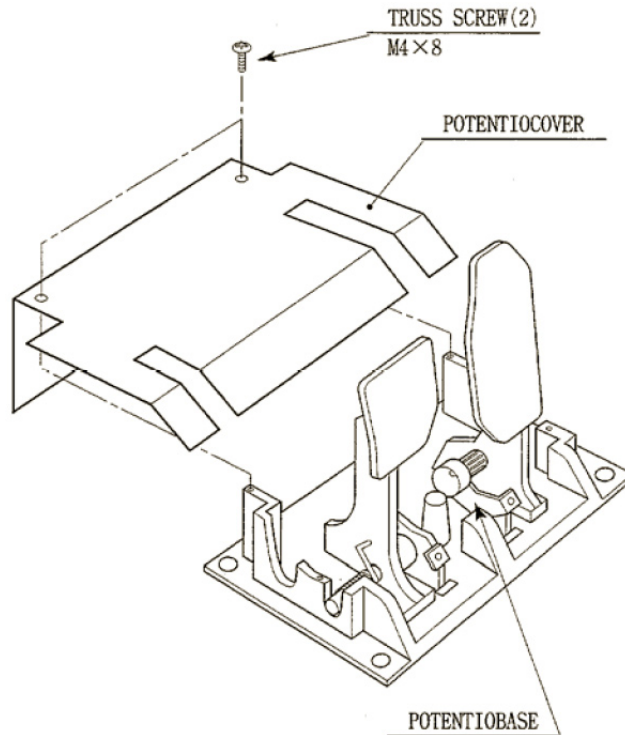


2. Loosen the screws which secure the base and adjust the V.R. value by moving its base.



## Replacing the V.R.

1. Turn off the power.
2. Take out the 2 screws and remove the top cover.



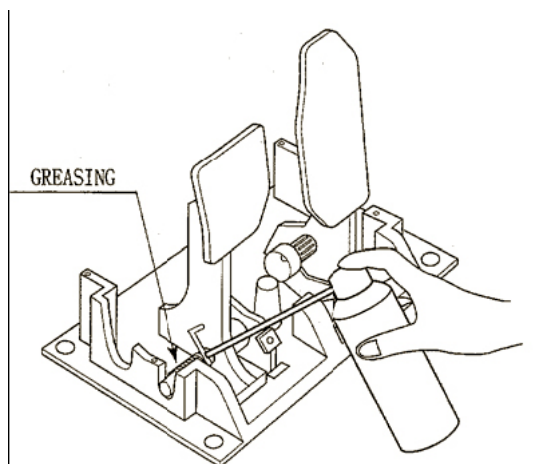
3. Disconnect the connector of the volume pot to be replaced.
4. Remove the screws which secure the V.R.
5. Remove the Potentiobase together with the V.R.
6. Remove the base and gear and replace.
7. Re-assemble in reverse order.

## Greasing



IMPORTANT

- Be sure to use a suitable grease for the purpose. Using a non-suitable product may cause damage to parts due to wear and tear.



## Replacement of Fluorescent Lamps

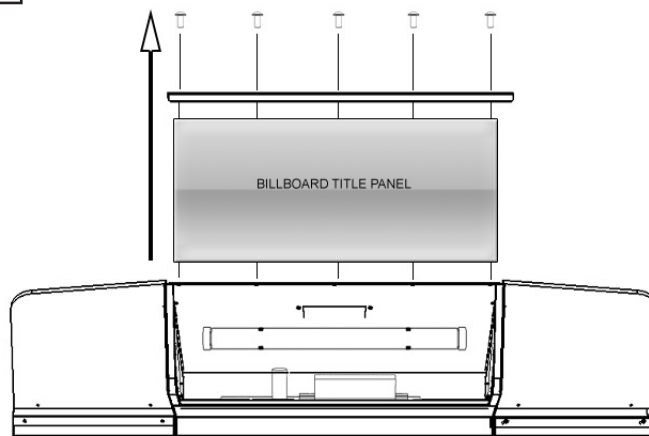


- When performing any work, be sure to turn the power off. Working with the power on can cause electric shock or short circuit hazard.
- The Fluorescent Lamp can get hot towards the ends of the unit. Be careful when handling the Lamp and / or Ballast.

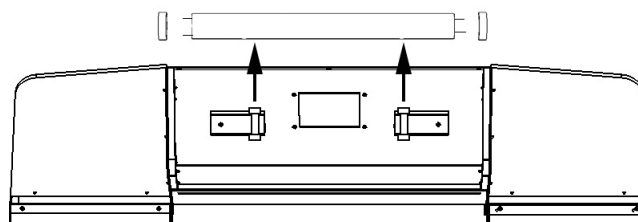


- To perform work safely and securely, be sure to prepare a step which is in a secure condition. Performing work without a step can cause accidents.

### Billboard Lamp



1. Remove the 5 truss head screws which secure the top retaining bar to the billboard box.
2. Remove the top retaining bar.
3. Remove the Title panel in an upward movement.  
The title panel is made from a flexible material and will bend along the contour of the billboard box.



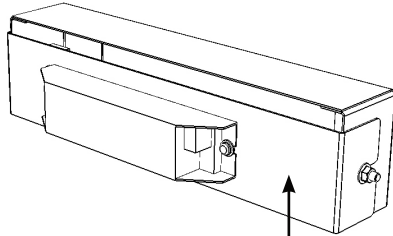
4. Remove the lamp by uncoupling it from the retaining clips and gently pulling it forward.
5. Remove the end caps and replace the lamp.
6. Reassemble in reverse order.

## SEGA Logo Lamp

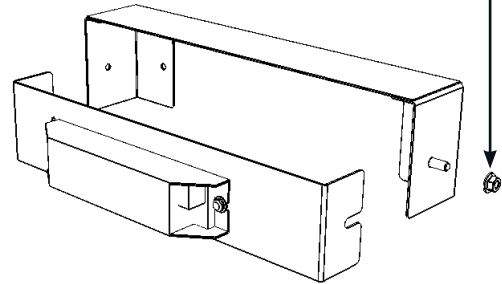


- When performing any work, be sure to turn the power off. Working with the power on can cause electric shock or short circuit hazard.
- The Fluorescent Lamp can get hot towards the ends of the unit. Be careful when handling the Lamp and / or Ballast.

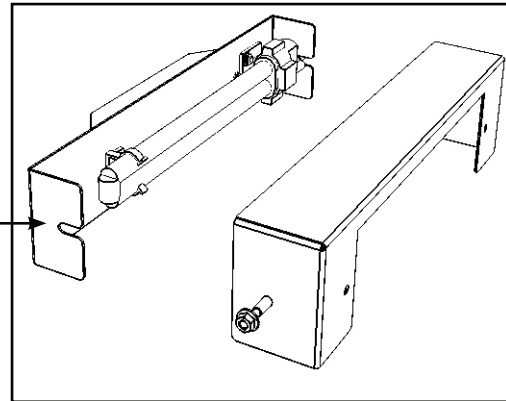
Loosen the 2x M4 nuts from the sides of the FLO mounting bracket and carefully remove the bracket & ballast



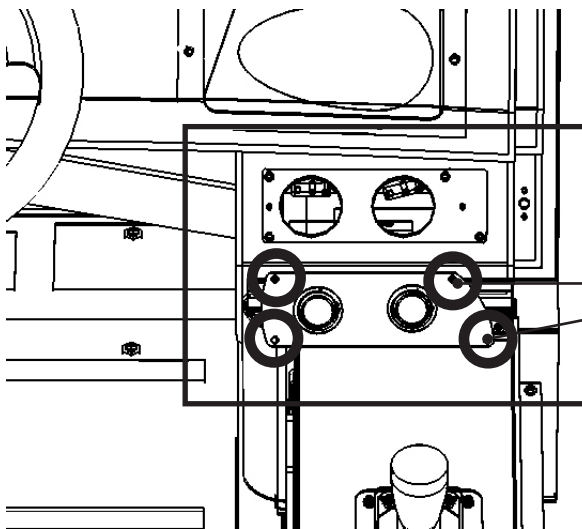
ASSY FLO TUBE, located inside ASSY MASK



The Lamp is located on the opposite side of the bracket. Carefully unclip the lamp to replace.



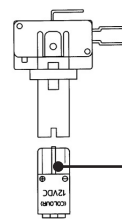
## START and VIEW LAMP



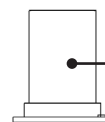
Remove the 4x M4x8 Security screws and take out the SWITCH ASSY

Remove the Lamp Housing from its location and then the LED CLUSTER.

Replace the LED CLUSTER and reassemble in reverse order.



LED CLUSTER BLU (LT1053)  
LED CLUSTER YEL (LT1051)

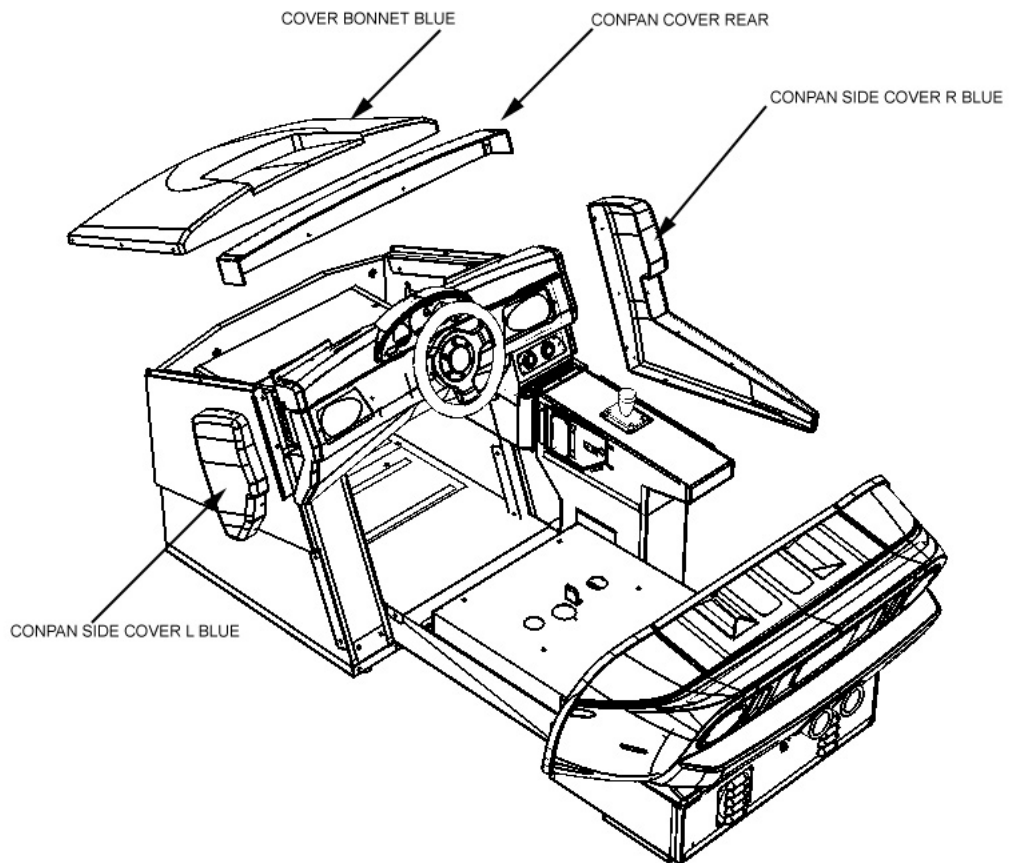


BTN RND 12V BLU (509-6001-B)  
BTN RND 12V YEL (509-6001-Y)

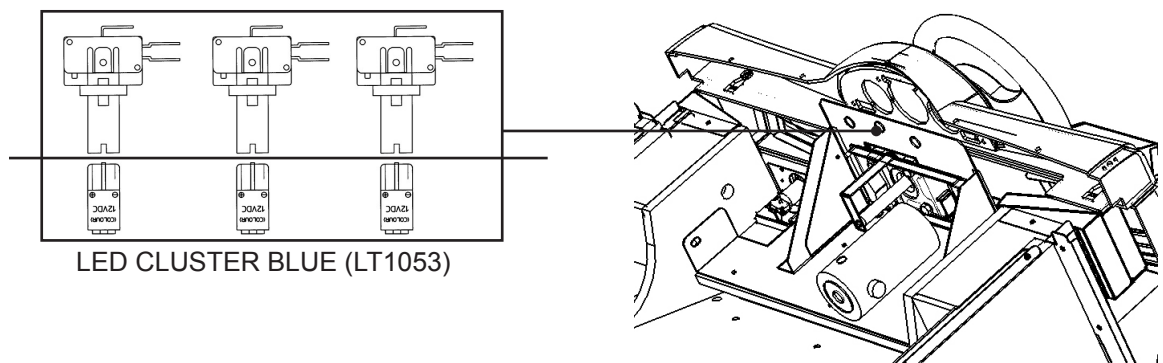
## Dashboard Lamp



- Be sure to turn power off before performing work.
- Failure to observe precautions may cause injury or electric shock.
- Use care so as not to damage wiring. Damaged wires can cause electric shock or fire hazard.
- Do not touch undesignated places. Touching places not specified can cause electric shock or fire hazard.



1. Remove the COVER BONNET BLUE.
2. Remove both CONPAN SIDE COVER R BLUE and CON PAN COVER L BLUE.
3. Remove the CONPAN COVER REAR.



4. Remove the LAMP HOLDER from it location.
5. Remove the LED CLUSTER from the LAMP HOLDER and replace with a lamp of the same type (SEGA PT No LT1053)

# DLP DISPLAY

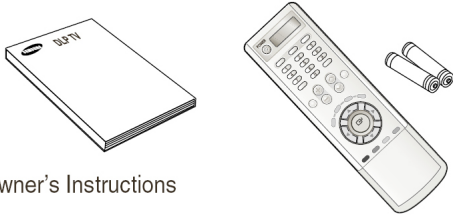
Please refer to the separate SAMSUNG DLP OWNERS and SERVICE MANUAL for additional settings/ information regarding the display.

## Technical Specifications

*The descriptions and characteristics in this booklet are given for information purposes only and are subject to modification without notice.*

Model name	SP42L6HX	SP46L6HX	SP50L6HX	SP56L6HX	SP61L6HX	SP67L6HX
Color systems	PAL, SECAM, NTSC3.58, NTSC4.43					
TV standards	BG, DK, I, M					
Audio output power	15 W + 15 W					
Dimensions (W x D x H)	999 x 331.3 x 755.5 mm	1088 x 342.5 x 814.2 mm	1182 x 354 x 869.7 mm	1330 x 388.5 x 961.7 mm	1446 x 466.5 x 1056.2 mm	1584 x 502.5 x 1144.5 mm
Weight	28 kg	30.3 kg	33 kg	36.7 kg	42.9 kg	49 kg

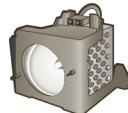
## Checking Parts



Owner's Instructions

Remote Control/  
AAA Batteries

**Sold Separately**

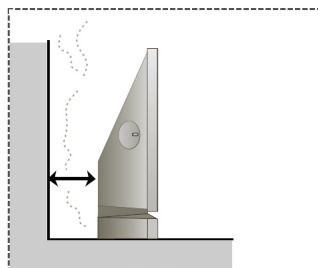


Replacement Lamp

For purchasing a replacement lamp, ask at a nearby service center.

- Use authorized lamps only. The company cannot guarantee the quality of the product if an unauthorized lamp is used.

- When installing the product, make sure to keep it away from the wall (more than 10cm) for ventilation purposes.
- Poor ventilation may cause an increase in the internal temperature of the product, resulting in a shortened component life and degraded performance.



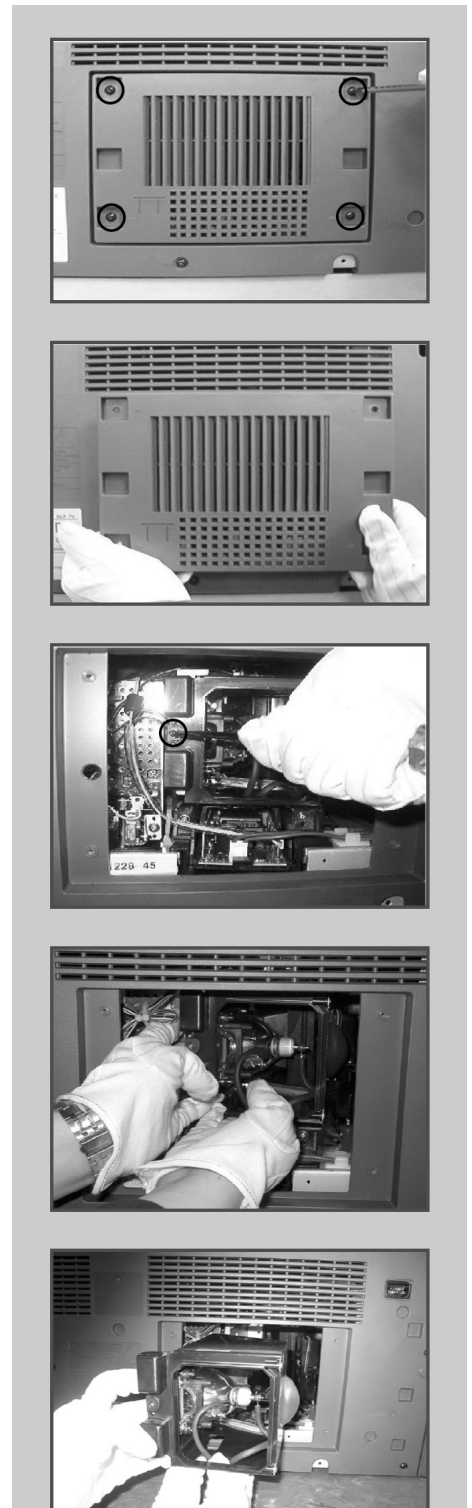
## Replacing the DLP Lamp



- This work should be carried out by **QUALIFIED SERVICE PERSONNEL**. Performing work by a non qualified person can lead to an electric shock or a short circuit hazard which may result in a fire or personnel injury.
- Be sure to remove power from the appliance before work commences.
- **NEVER** touch places or parts other than those specified. Touching places or parts not specified may cause electric shock or a short circuit hazard.
- Before starting any maintenance work, ensure that the power is disconnected and the machine is switched off. Failure to observe this precaution may cause injury or electric shock.
- Use care so as not to damage any wiring. Damaged wires can cause electric shock or a short circuit hazard.

- 1 Unplug TV, then use a screwdriver to remove the screw.
- 2 Remove the Lamp cover.
- 3 Remove the screws securing the Lamp by using a screwdriver.
- 4 Separate the Lamp from the engine by holding the handle and pulling it out
- 5 To reinstall the Lamp, follow these steps in reverse order.

- ◆ Why do I need to replace the lamp?  
The lamp used in a projection TV has a limited lifespan. For the best screen quality it needs to be replaced periodically. After replacing the lamp, the screen quality will be bright and clear as new.
- ◆ When do I need to replace it?  
It should be replaced when the screen becomes darker, less clear or when all three LEDs on the front (TIMER, LAMP and STAND BY/TEMP) are flashing.
- ◆ Check before lamp replacement
  - Turn the power off and wait for 30 minutes before replacing the lamp as it will be hot.
  - The lamp must be the same code to avoid damage to the TV. The lamp code is indicated on the lamp case or the side of TV.
  - After checking the lamp code, give to the store where you purchased the TV or to a Samsung Service Center.
- ◆ Caution
  - Do not touch the glass part of the lamp with your bare hands nor insert any foreign object inside the cover as it may cause poor screen quality, electric shock or fire.
  - Do not place the old lamp near flammable objects or within the reach of children.
  - Don't allow dirt or dust to accumulate inside the lamp cover or on the lamp. A dirty cover or lamp can catch fire, explode and cause electric shock.
  - If a new lamp is improperly handled, the screen quality can be affected and the expected lifespan of the lamp can be reduced.
  - Be sure to tighten the lamp cover on the TV after changing the lamp. Note that the TV will not function if the lamp cover is not securely attached. Please tighten the holding screw on the lamp cover after it has been attached to the TV.





## PC REMOVAL and CONNECTIONS



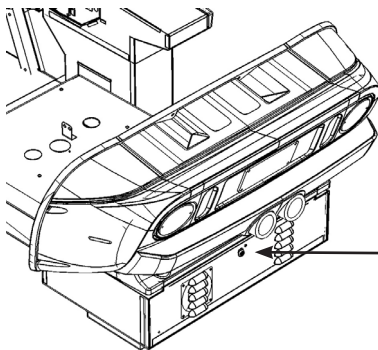
**WARNING**

- In order to prevent electric shock and short circuit hazard, be sure to turn power off before commencing work.
- Be careful so as not to damage wiring. Damaging wiring can cause fire, electric shock and / or short circuit.
- Do not expose the GAME BD, etc. without a good reason. Failure to observe this can cause electric shock hazard or malfunction.

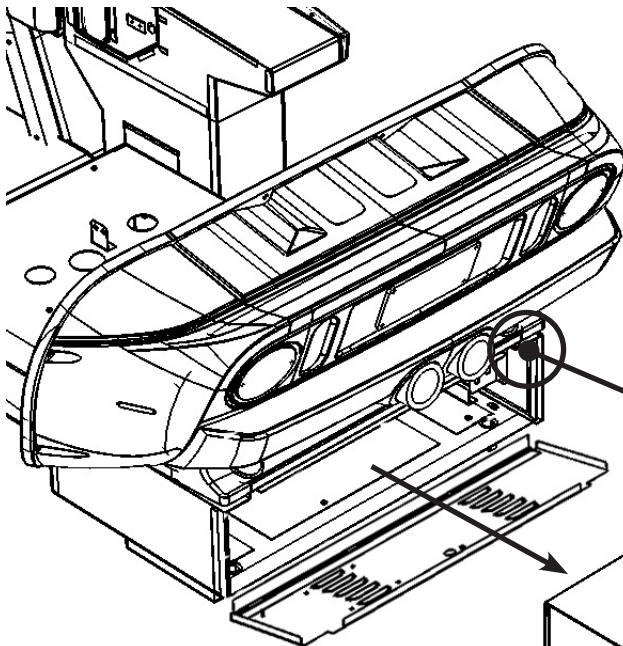


**CAUTION**

- The electronic parts contained within the GAME BD CASE can be damaged due to human body static electricity. Before performing and component level work, be sure to gain acknowledgement from SEGA.
- Before attempting component level work be sure to discharge physically accumulated static by touching grounded metallic surfaces.

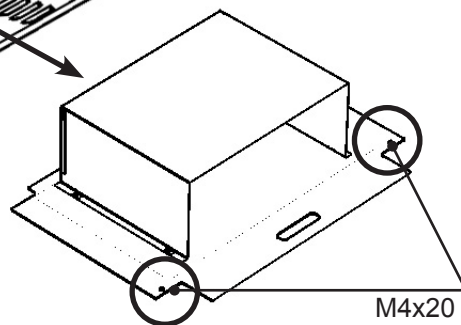


Unlock and open the rear service door.



Remove the 2x fixing which secure the ASSY PC to the lower base.  
To remove the PC base, pull out the ASSY PC slowly towards you.  
To remove the assembly totally from the machine, disconnect the harnesses from the panel mount bracket positioned at the upper right hand side of the door frame, then remove.  
Reassemble in reverse order.

Panel-mount connectors



M4x20 Machine Screws Pozi

Y



## PC Connections



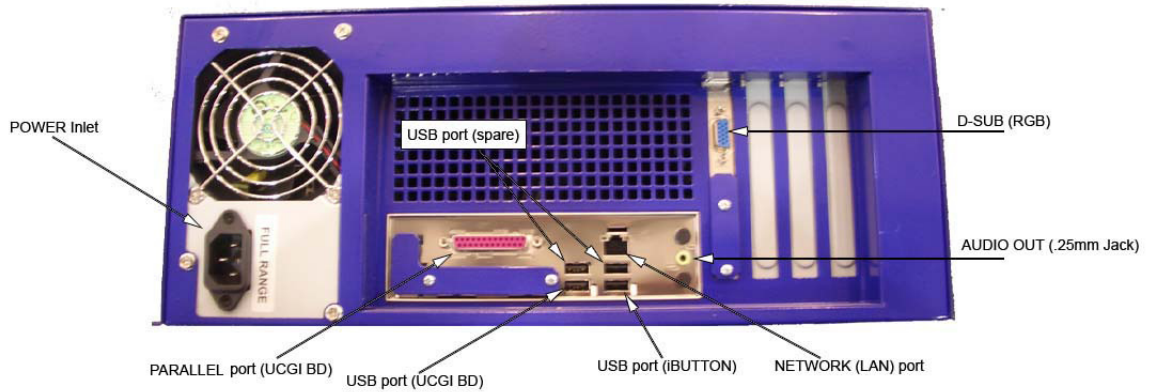
**IMPORTANT**

- For safety reasons the PC is fitted with a 10 second power on delay. If power is cycled within a 10 second period the PC will not restart and will remain idle. Please wait for a minimum of 10 seconds before applying power once switched off.



**IMPORTANT**

- When the security device is installed, the PC becomes proprietary to this product.



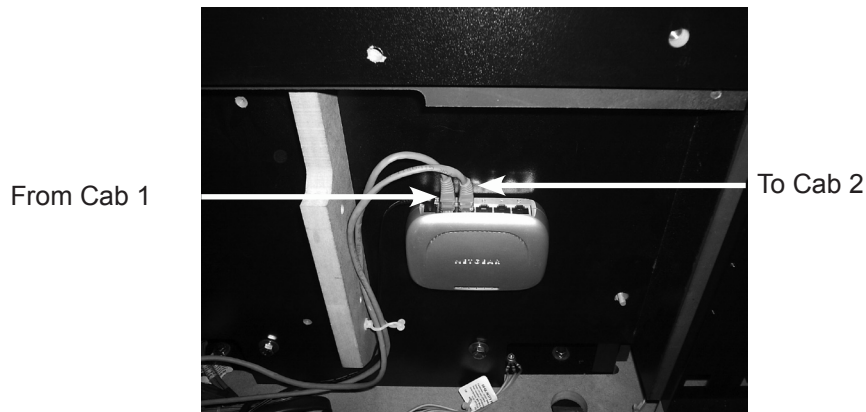
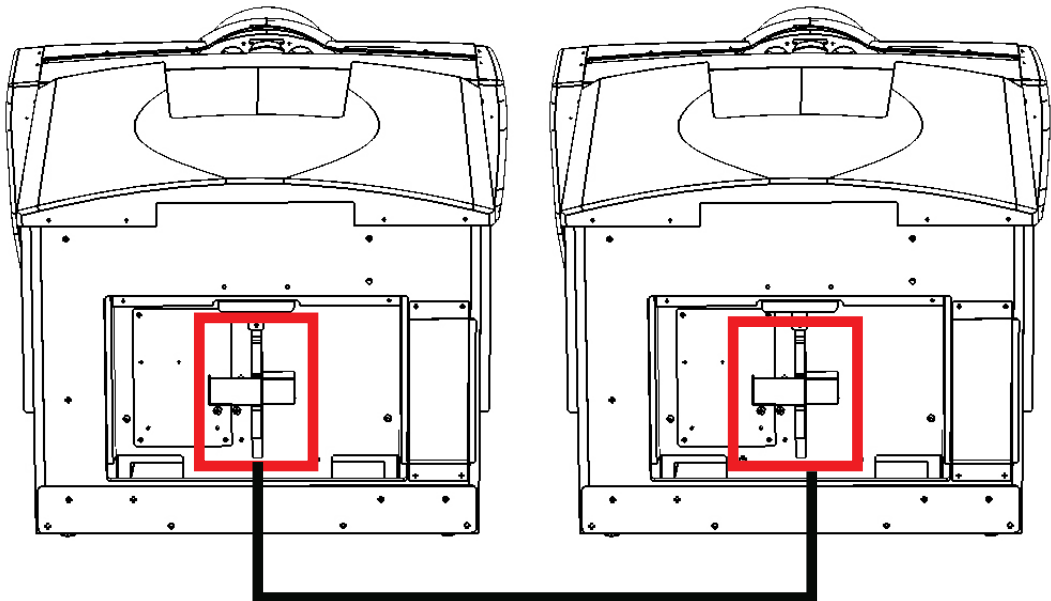
DESCRIPTION	OPERATION
POWER INLET	240VAC IEC Inlet.
PARALLEL PORT	I/O from UGCI BD
USB PORT 1	COMMS FROM UGCI BD
USB PORT 2	iBUTTON PORT
LAN PORT	LAN COMMS TO HUB
AUDIO OUT	AUDIO OUT TO AMP
D-SUB	ANALOGUE RGB OUT

## CONNECTIONS FOR NETWORK PLAY

To enable network play, the hubs inside each of the master game machines must be connected with network (LAN) cables. Connect the hub inside the master machine to each of the hubs inside the other machines.

Do not make the LAN connections between this game and another game of a different type.

1. Turn the power off and unplug the power cord from the outlet. Place the power cord so as not to damage it while working.
2. Move the machines so that they are aligned as explained in section 20 of this manual. Leave enough space at the rear and the sides of the machine so that work can be performed safely.
3. Remove the back door(s) of the master units and feed a LAN cable between each hub (as shown in the diagram on previous page).
4. Feed the excess cable back into the machine or lay cable cover as to not cause a tripping hazard.

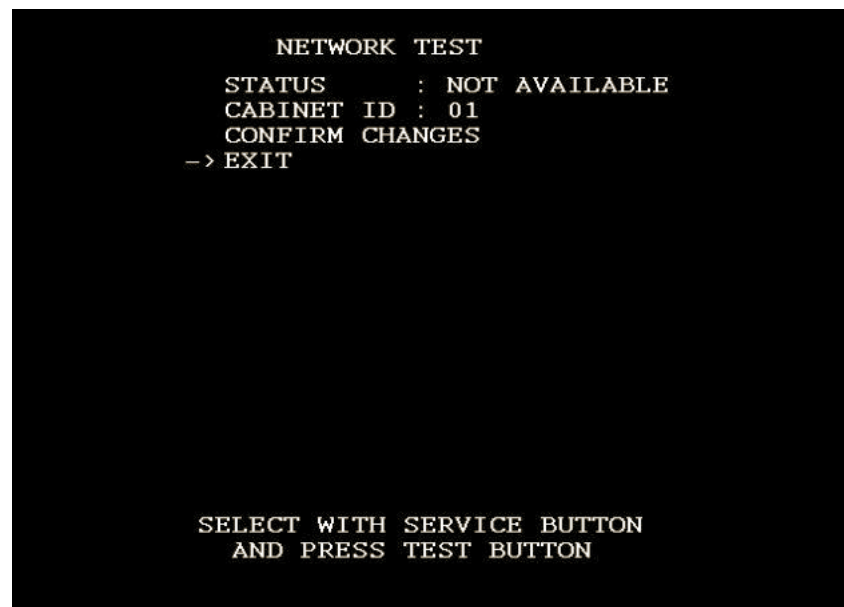


## NETWORK PLAY SETTINGS

Each for the linked machines must be set up for network play. If the machines are not set up correctly, network play will not be possible.

### HOW TO SET UP THE MACHINE FOR NETWORK PLAY

1. Turn the power off on each machine to be used for network play.
2. Enter the test mode on each machine.
3. Select the SYSTEM TEST mode and press the TEST button. The machine will enter System Test mode and the screen will display the System Test Menu.
4. Select Network Settings from the System TEST menu and press the TEST button. The NETWORK TEST SCREEN WILL APPEAR.



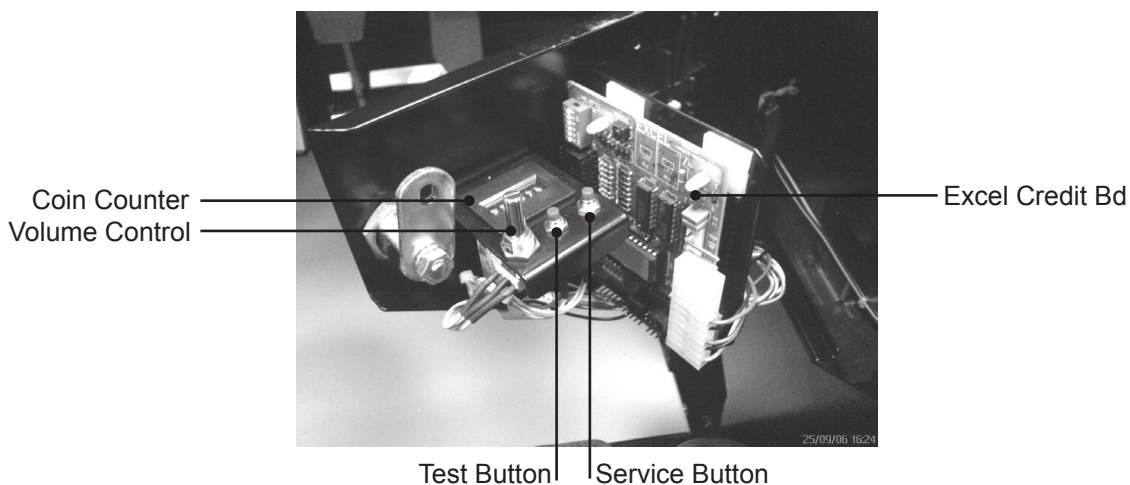
5. Set the CABINET ID so that each machine displays a different number. For example, machine No1 will be labelled 1 and machine No2 will be labelled 2 and so on.
6. Once all machine have been given their unique identity number, press the SERVICE button to bring the selection to CONFIRM CHANGES.
7. Press the TEST button to execute the changes. All units will reboot and come back online in linked play.

# COIN TOWER - OPERATION



• To gain access into the Coin door the operator / service engineer MUST adjust the seat position to the rear of the cabinet. If the seat is not adjusted to the rear of the cabinet, the Coin door will not open fully and access will be impaired.

The ASSY COIN TOWER house all the coin handling for this product. The Coin Mechanism (SR3 - if fitted), the Excel Credit PCB, the Coin Counter, Volume control, Test and Service switches are all mounted on the inner side of the door.



## COIN / SERVICE DOOR

- |                  |   |   |
|------------------|---|---|
| Coin Counter     | - | Counts coins that are accepted by the Coin mechanism.                 |
| Volume Control   | - | Adjusts the audio level output from all 5 speaker (inc Woofer).       |
| Test Button      | - | Enters the product into the TEST MODES.                               |
| Service Button   | - | Will action a Service Credit and also navigate through the Test Menu. |
| Excel Credit Pcb | - | A Coin accumulator which will allow various coins per game to be set. |

## Excel Credit PCB

Game credits between the Coin Mechanism and the PC is controlled by an Excel Credit Board. This electronic circuit allows the price of play to be set to a wide range settings. It also enables the operator to set the machine to different types of coin specifications such as GB Sterling or the EURO amongst many others. The functions are available by manipulating the DIL (Dual In Line) switches mounted upon the PCB.

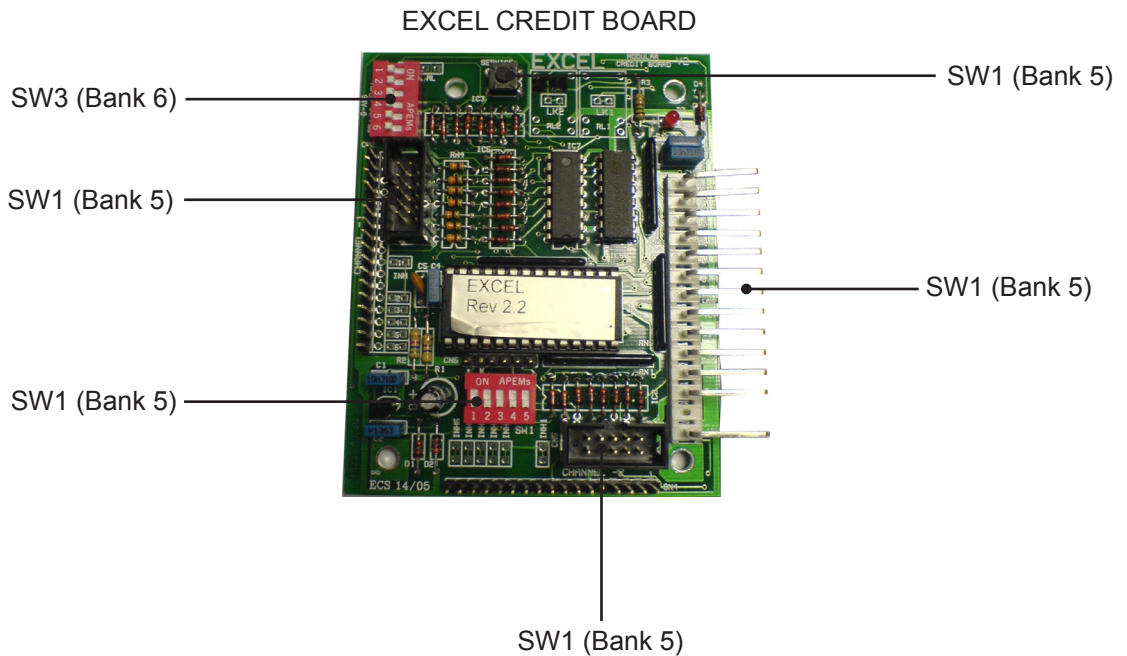
DIL-2 allows the operator to set the currency (or coin ratio) and DIL 1 provides the price of play. Please refer to the "OPTION" and "PRICE of PLAY" setting tables on the following pages.

The Excel Credit board (pictures below) is mounted on the coin mech panel which is opened and closed using a service key.

Wiring Harness	Validator	Connector Type
LM1006	Money Controls	15 way
LM1007	Mars	13 way
LM1008	Mechanical	See Note 1
N/A	NRI	See note 2

### NOTES

1. Mechanical coin mechanisms may be connected in parallel, allowing two identical mechanisms to be fitted.
2. If NRI mechanisms are to be used, these should be ordered with the highest denomination coin programmed into coin path #1 and the lowest denomination coin programmed into coin path #4. The Excel board should then be set up for either UK or EURO coins. A minimum connecting lead length of 150mm is required.



EXCEL BOARD OPTION SETTINGS

Country		Setting	Switch 3 Setting							Coin Validator Programming												C120/SR3 Only		
			SW1	SW2	SW3	SW4	SW5	SW6	COIN1	COIN2	COIN3	COIN4	COIN5	COIN6	COIN7	COIN8	COIN9	COIN10	COIN11	COIN12				
UK	Coin Controls C220 Parallel	OFF	OFF	OFF	OFF			£1	50p new	20p	10p	-	50p old	-	-									
UK	Coin Controls C220 Binary	ON	OFF	OFF	OFF			£1	50p new	20p	10p	-	50p old	-	£2									
UK	Coin Controls C220 Binary	OFF	ON	OFF	OFF			£1	50p new	20p	10p	-	£2	-	50p old	-	-	-	-					
UK	Coin Controls SR3 Parallel	ON	ON	OFF	OFF			£1	50p new	20p	10p	-	£2	-	50p old	-	-	-	-					
UK	Coin Controls SR3 Parallel	OFF	OFF	ON	OFF			£2	£1	50p new	20p	10p	-	-	-	50p old	-	-	-					
Euro	Coin Controls SR3 Parallel	OFF	OFF	ON	OFF			€2	€1	50¢	20¢	10¢	-	-	-	-	-	-	-					
UK	Mars ME/MS 111 Parallel	ON	OFF	ON	OFF			£1	£2	20p	10p	50p new	50p old											
UK	NRI Parallel	OFF	ON	ON	OFF			10p	20p	50p	£1	£2	-	-	-	-	-	-	-					
Belgium	Parallel	ON	ON	ON	OFF			-	50Bfr	20Bfr	5Bfr													
Holland	Parallel	OFF	OFF	OFF	ON			-	5NLG	2.5NLG	1NLG													
Austria	SR3 Parallel	ON	OFF	OFF	ON			20Sch	10Sch	5Sch	1Sch													
Spain	Coin Controls C220 Binary	OFF	ON	OFF	ON			500Pta	200Pta	100Pta	50Pta	25Pta	200Pt old	50Pta old	25Pta old									
Spain	SR3/NRI Parallel	ON	ON	OFF	ON			500Pta	200Pta	100Pta	50Pta	25Pta	-	-	200Pta	-	50Pta old	25Pta old	-					
Spain	Coin Controls C220 Parallel	OFF	OFF	ON	ON			100Pta	50Pta new	-	25Pta new	-	50Pta old	-	25Pta old									
Portugal Euro	Parallel	ON	OFF	ON	ON			200Es	100Es	50Es	-	-	-	-	-									
	TBA							TBA																
	Channels							TBA																
								Direct Mode																
								2 channel Mode																

**Please Note**  
The credit board automatically sets the validator for parallel and binary operation through an output on pin 8 of the 17 way pinstrip. For the feature to work it is necessary for the validator interconnecting cable to include at wire at this position

- Note: These switch settings are under constant review and may change due to world currency updates.
- Set SW 1 according to the option settings found in the relevant Price of Play Settings Table on the following pages.
  - Set SW 3 on the VTS /Excel board as shown in the table above corresponding to the country required.



EXCEL BOARD COIN SETTINGS UK

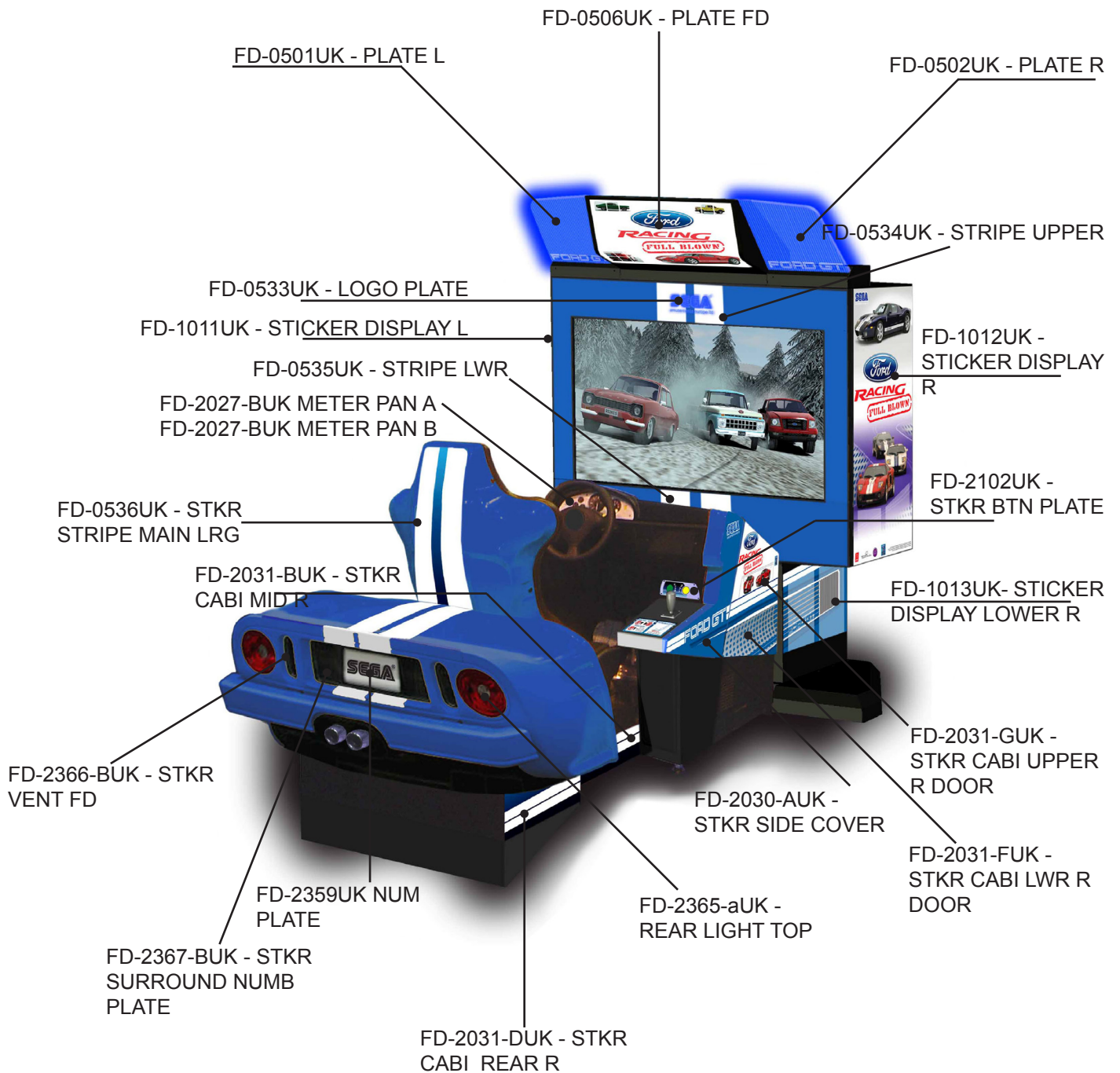
	Price	Bonus					DIL Switch 1				
							1	2	3	4	5
1	10p	50p = 5 plays	£1 = 10 plays	£2 = 20 plays		OFF	OFF	OFF	OFF	OFF	
2	10p	50p = 6 plays @ 8.33p per play	£1 = 12 plays @ 8.33p per play	£2 = 24 plays @ 8.33p per play		ON	OFF	OFF	OFF	OFF	
3	20p	50p = 2.5 plays	£1 = 5 plays	£2 = 10 plays		OFF	ON	OFF	OFF	OFF	
4	20p	50p = 3 plays @ 16.66p per play	£1 = 6 plays @ 16.66p per play	£2 = 12 plays @ 16.66p per play		ON	ON	OFF	OFF	OFF	
5	30p	50p = 1.66 plays	£1 = 3.33 plays	£2 = 6.66 plays		OFF	OFF	ON	OFF	OFF	
6	30p	50p = 1.66 plays	£1 = 4 plays @ 25p per play	£2 = 8 plays @ 25p per play		ON	OFF	ON	OFF	OFF	
7	30p	50p = 2 plays @ 25p per play	£1 = 4 plays @ 25p per play	£2 = 8 plays @ 25p per play		OFF	ON	ON	OFF	OFF	
8	30p	50p = 2 plays @ 25p per play	£1 = 3 plays @ 33.33p per play	£2 = 6 plays @ 33.33p per play		ON	ON	ON	OFF	OFF	
9	40p	50p = 1.25 plays	£1 = 2.5 plays	£2 = 5 plays		OFF	OFF	OFF	ON	OFF	
10	40p	50p = 1.25 plays	£1 = 3 plays @ 33.3p per play	£2 = 6 plays @ 33.3p per play		ON	OFF	OFF	ON	OFF	
11	50p	50p = 1 play	£1 = 2 plays	£2 = 4 plays		OFF	ON	OFF	ON	OFF	
12	50p	50p = 1 play	£1 = 3 plays @ 33.3p per play	£2 = 6 plays @ 33.3p per play		ON	ON	OFF	ON	OFF	
13	50p	50p = 1 play	£1 = 2 plays	£2 = 5 plays @ 40p per play		OFF	OFF	ON	ON	OFF	
14	60p	50p = 0.83 play	£1 = 1.66 plays	£2 = 3.33 plays		ON	OFF	ON	ON	OFF	
15	60p	50p = 0.83 play	£1 = 2 plays @ 50p per play	£2 = 4 plays @ 50p per play		OFF	ON	ON	ON	OFF	
16	80p	50p = 0.62 play	£1 = 1.25 plays	£2 = 2.5 plays		ON	ON	ON	ON	OFF	
17	80p	£1 = 1.25 plays	£1.50 = 2 plays @ 75p per play	£2 = 2.5 plays		OFF	OFF	OFF	OFF	ON	
18	£1	2x50p = 1 play	£1 = 1 play	£2 = 2 plays		ON	OFF	OFF	OFF	ON	
19	£1	2x50p = 1 play	£1 = 1 play	£2 = 3 plays @ 66.6p per play		OFF	ON	OFF	OFF	ON	
20	£1	2x50p = 1 play	£2 = 2 plays	£4 = 5 plays @ 80p per play		ON	ON	OFF	OFF	ON	
21	£1.50	3x50p = 1 play	£1 = 0.66 plays	£3 = 2 plays		OFF	OFF	ON	OFF	ON	
22	£1.50	3x 50p = 1 play	£1 = 0.66 plays	£2 = 2 plays @ £1 per play		ON	OFF	ON	OFF	ON	
23	£2	4x 50p = 1 play	£1 = 0.5 play	£2 = 1 play		OFF	ON	ON	OFF	ON	
24	£2	4x 50p = 1 play	£1 = 0.5 play	£5 = 3 plays @ £1.66 per play		ON	ON	ON	OFF	ON	
25	£3	6x50p = 1 play	£1.50 = 0.5 play	£3 = 1 play		OFF	OFF	OFF	ON	ON	
26	£3	6x50p = 1 play	£1.50 = 0.5 play	£5 = 2 plays @ £2.50 per play		ON	OFF	OFF	ON	ON	
27	£5	£1 = 0.2 play	£5 = 1 play	£10 = 2 plays		OFF	ON	OFF	ON	ON	
28	£5	£1 = 0.2 play	£5 = 1 play	£10 = 3 plays @ £3.33p per play		ON	ON	OFF	ON	ON	
29	£7.50	£5 = 0.66 play	£10 = 1.33 plays	£15 = 2 plays		OFF	OFF	ON	ON	ON	
30	£7.50	£5 = 0.66 play	£10 = 1.33 plays	£10 = 2 plays @ £5 per play		ON	OFF	ON	ON	ON	
31	£10	£10 = 1 play	£20 = 2 play	£30 = 3 play		OFF	ON	ON	ON	ON	
32		Free Play					ON	ON	ON	ON	ON

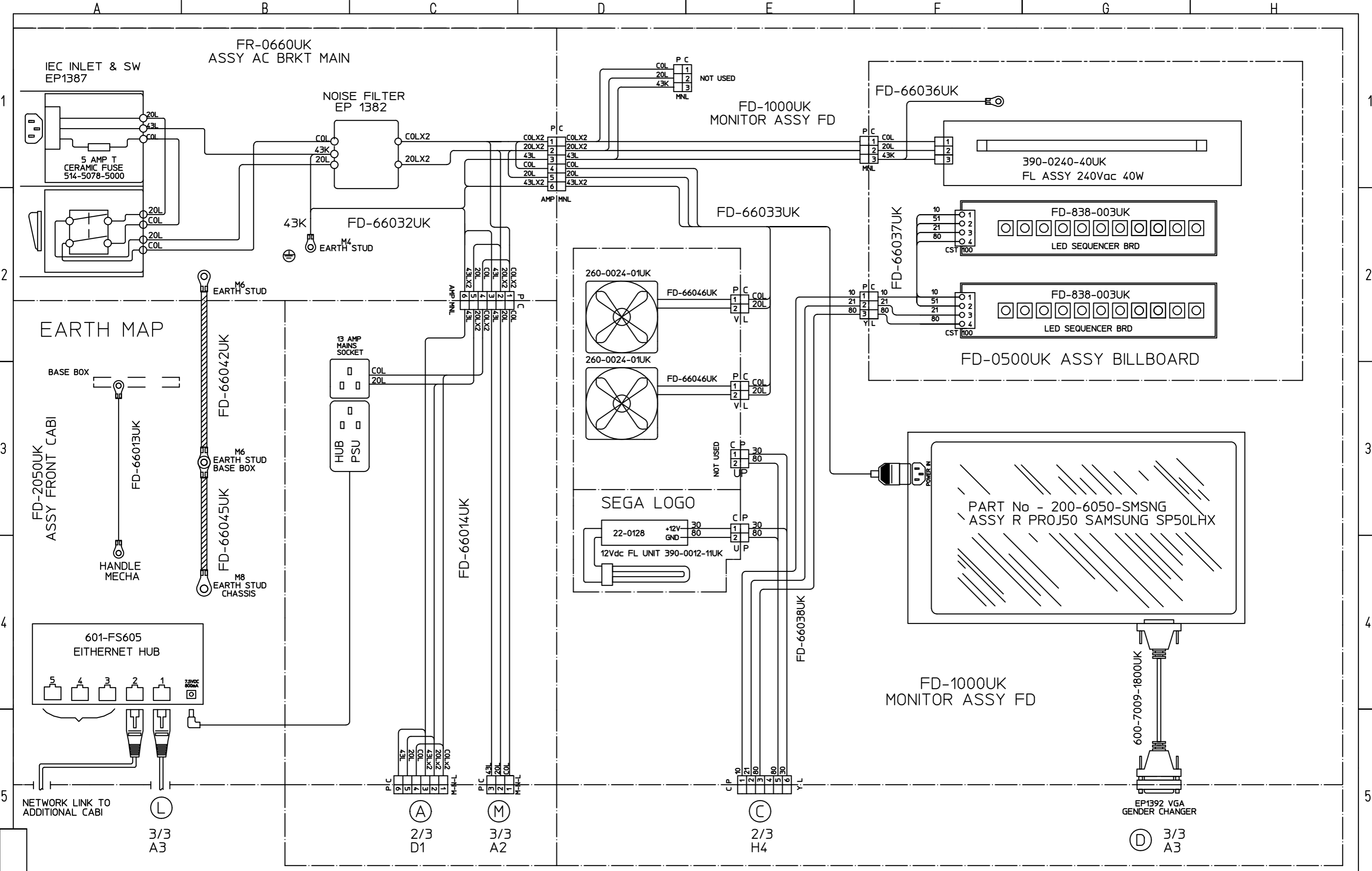


EXCEL BOARD COIN SETTINGS

	Price	Bonus		DIL Switch 1					
				1	2	3	4	5	
1	10¢	50¢ = 5 plays	€1 = 10 plays		€2 = 20 plays	OFF	OFF	OFF	OFF
2	10¢	50¢ = 6 plays @ 8.33p per play	€1 = 12 plays @ 8.33¢ per play	€2 = 24 plays @ 8.33¢ per play	€2 = 24 plays @ 8.33¢ per play	ON	OFF	OFF	OFF
3	20¢	50¢ = 2.5 plays	€1 = 5 plays	€2 = 10 plays	€2 = 10 plays	OFF	ON	OFF	OFF
4	20¢	50¢ = 3 plays @ 16.66¢ per play	€1 = 6 plays @ 16.66¢ per play	€2 = 12 plays @ 16.66¢ per play	€2 = 12 plays @ 16.66¢ per play	ON	ON	OFF	OFF
5	30¢	50¢ = 1.66 plays	€1 = 3.33 plays	€2 = 6.66 plays	€2 = 6.66 plays	OFF	OFF	ON	OFF
6	30¢	50¢ = 1.66 plays	€1 = 4 plays @ 25¢ per play	€2 = 8 plays @ 25¢ per play	€2 = 8 plays @ 25¢ per play	ON	OFF	ON	OFF
7	30¢	50¢ = 2 plays @ 25¢ per play	€1 = 4 plays @ 25¢ per play	€2 = 8 plays @ 25¢ per play	€2 = 8 plays @ 25¢ per play	OFF	ON	ON	OFF
8	30¢	50¢ = 2 plays @ 25¢ per play	€1 = 3 plays @ 33.33¢ per play	€2 = 6 plays @ 33.33¢ per play	€2 = 6 plays @ 33.33¢ per play	ON	ON	ON	OFF
9	40¢	50¢ = 1.25 plays	€1 = 2.5 plays	€2 = 5 plays	€2 = 5 plays	OFF	OFF	OFF	ON
10	40¢	50¢ = 1.25 plays	€1 = 3 plays @ 33.33¢ per play	€2 = 6 plays @ 33.33¢ per play	€2 = 6 plays @ 33.33¢ per play	ON	OFF	OFF	ON
11	50¢	50¢ = 1 play	€1 = 2 plays	€2 = 4 plays	€2 = 4 plays	OFF	ON	OFF	ON
12	50¢	50¢ = 1 play	€1 = 3 plays @ 33.33¢ per play	€2 = 6 plays @ 33.33¢ per play	€2 = 6 plays @ 33.33¢ per play	ON	ON	OFF	ON
13	50¢	50¢ = 1 play	€1 = 2 plays	€2 = 5 plays @ 40¢ per play	€2 = 5 plays @ 40¢ per play	OFF	OFF	ON	ON
14	60¢	50¢ = 0.83 play	€1 = 1.66 plays	€2 = 3.33 plays	€2 = 3.33 plays	ON	OFF	ON	ON
15	60¢	50¢ = 0.83 play	€1 = 2 plays @ 50¢ per play	€2 = 4 plays @ 50¢ per play	€2 = 4 plays @ 50¢ per play	OFF	ON	ON	ON
16	80¢	50¢ = 0.62 play	€1 = 1.25 plays	€2 = 2.5 plays	€2 = 2.5 plays	ON	ON	ON	ON
17	80¢	£1 = 1.25 plays	€1.50 = 2 plays @ 75¢ per play	€2 = 2.5 plays	€2 = 2.5 plays	OFF	OFF	OFF	ON
18	€1	2x50¢ = 1 play	€1 = 1 play	€2 = 2 plays	€2 = 2 plays	ON	OFF	OFF	ON
19	€1	2x50¢ = 1 play	€1 = 1 play	€2 = 3 plays @ 66.6¢ per play	€2 = 3 plays @ 66.6¢ per play	OFF	ON	OFF	ON
20	€1	2x50¢ = 1 play	€2 = 2 plays	€4 = 5 plays @ 80¢ per play	€4 = 5 plays @ 80¢ per play	ON	ON	OFF	ON
21	€1.50	3x50¢ = 1 play	€1 = 0.66 plays	€3 = 2 plays	€3 = 2 plays	OFF	OFF	ON	ON
22	€1.50	3x 50¢ = 1 play	€1 = 0.66 plays	€2 = 2 plays @ €1 per play	€2 = 2 plays @ €1 per play	ON	OFF	ON	ON
23	€2	4x 50¢ = 1 play	€1 = 0.5 play	€2 = 1 play	€2 = 1 play	OFF	ON	ON	ON
24	€2	4x 50¢ = 1 play	€1 = 0.5 play	€5 = 3 plays @ €1.66 per play	€5 = 3 plays @ €1.66 per play	ON	ON	ON	ON
25	€3	6x50¢ = 1 play	€1.50 = 0.5 play	€3 = 1 play	€3 = 1 play	OFF	OFF	OFF	ON
26	€3	6x50¢ = 1 play	€1.50 = 0.5 play	€5 = 2 plays @ €2.50 per play	€5 = 2 plays @ €2.50 per play	ON	OFF	OFF	ON
27	€5	€1 = 0.2 play	€5 = 1 play	€10 = 2 plays	€10 = 2 plays	OFF	ON	OFF	ON
28	€5	€1 = 0.2 play	€5 = 1 play	€10 = 3 plays @ 3.33¢ per play	€10 = 3 plays @ 3.33¢ per play	ON	ON	OFF	ON
29	€7.50	€5 = 0.66 play	€10 = 1.33 plays	€15 = 2 plays	€15 = 2 plays	OFF	OFF	ON	ON
30	€7.50	€5 = 0.66 play	€10 = 1.33 plays	€10 = 2 plays @ €5 per play	€10 = 2 plays @ €5 per play	ON	OFF	ON	ON
31	€10	€10 = 1 play	€20 = 2 play	€30 = 3 play	€30 = 3 play	OFF	ON	ON	ON
32		Free Play				ON	ON	ON	ON

# DESIGN RELATED PARTS

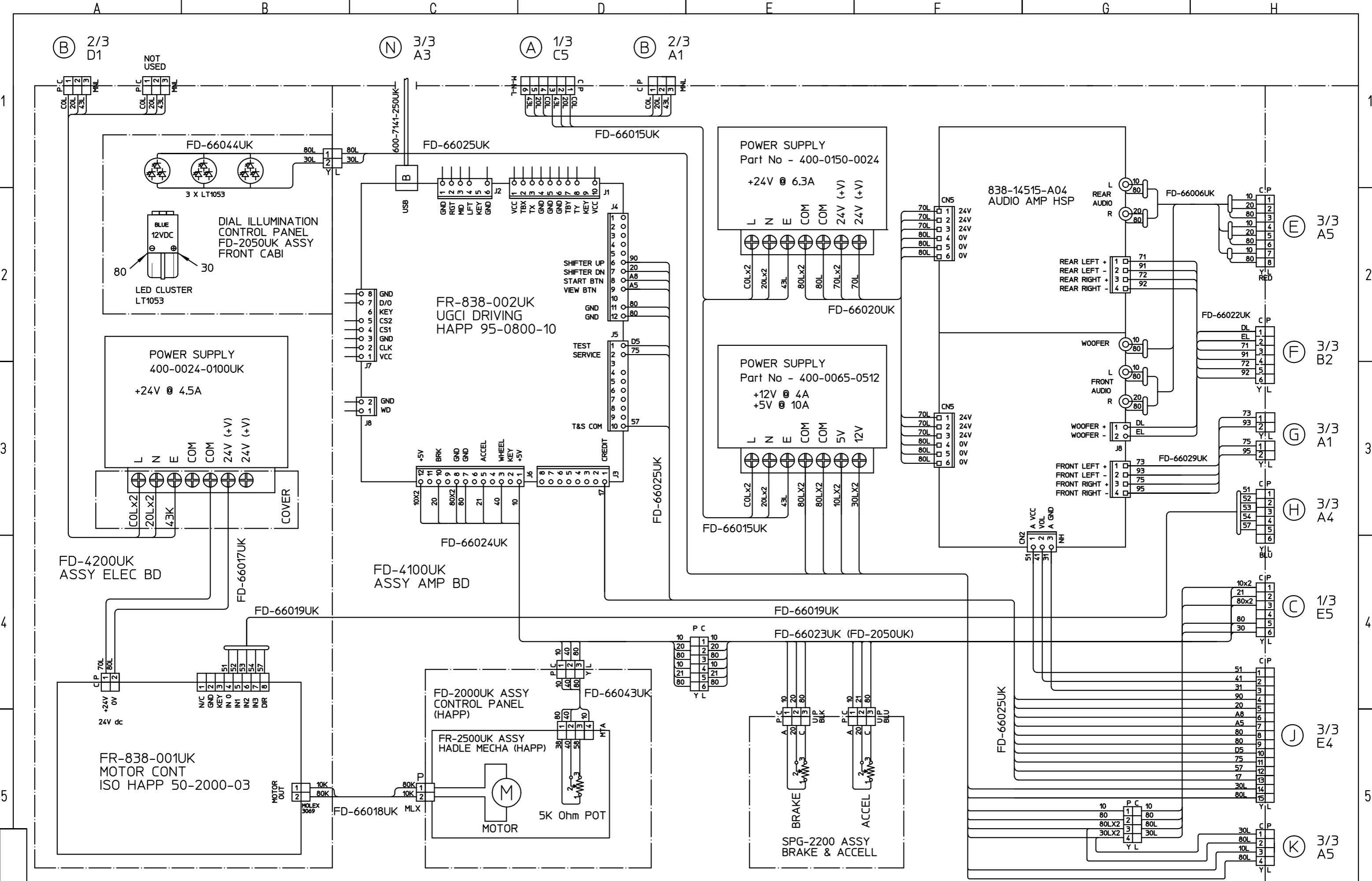




1	RED	8	BLACK	F	LIGHT GREEN				
2	BLUE	9	GREY						
3	YELLOW	A	PINK			U	AWG 16 UL105		
4	GREEN	B	SKY BLUE			K	AWG 18 UL105		
5	WHITE	C	BROWN			L	AWG 20 UL1007		
7	ORANGE	D	PURPLE				AWG 22 UL1007		

ALTERNATIONS	COLOUR CODE	WIRE TYPE	DRAWN	CHKD	TOPE LEVEL No
			CW		FD-0000UK
			20/06/09		

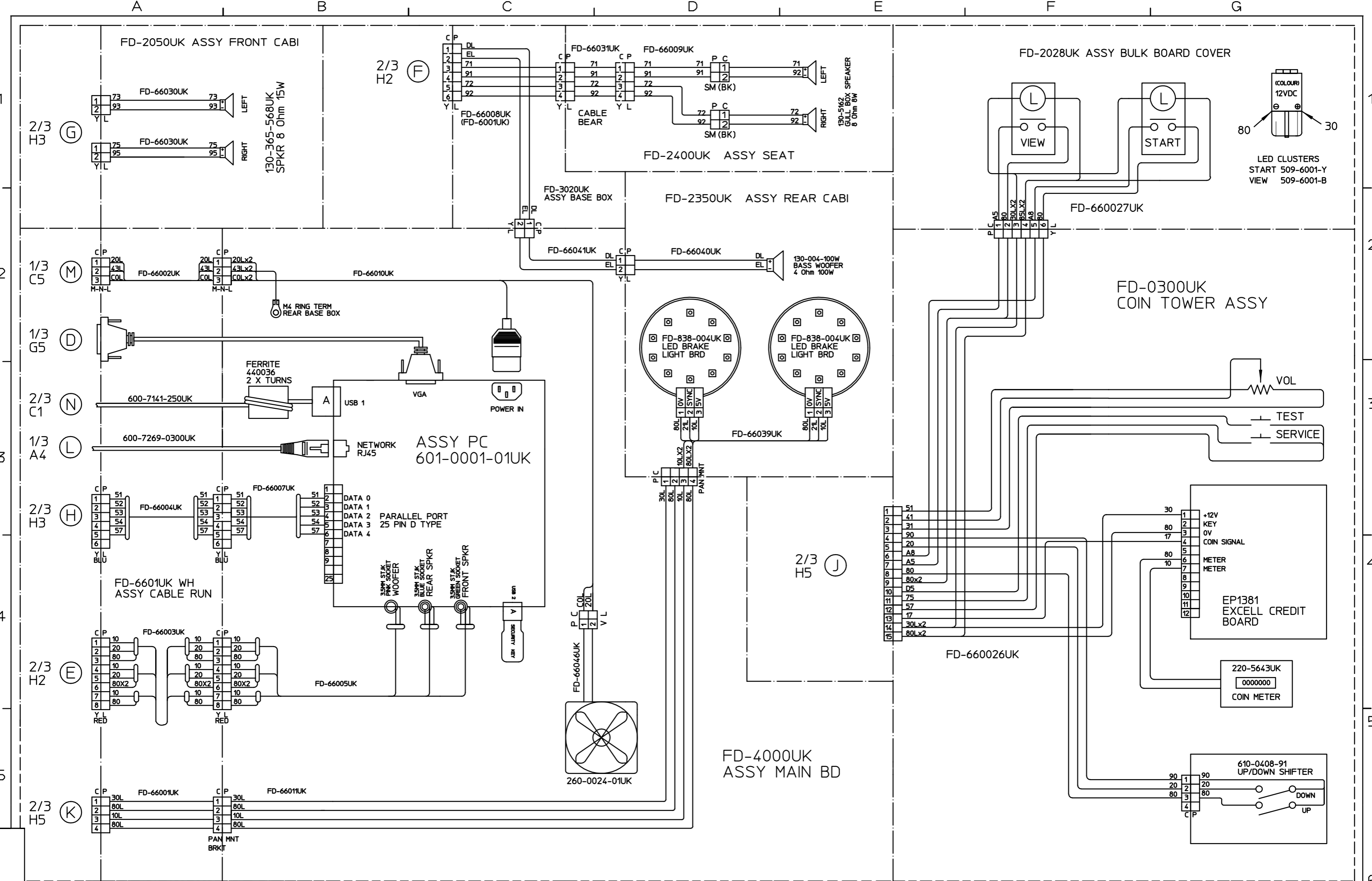

**SEGA AMUSEMENTS EUROPE, LTD.** THIS DRAWING WILL IN NO WAY BE COPIED, ORIGINAL SIZE  
**FORD RACING - FULL BLOWN DX** TO BE RETURNED ON DEMAND. **A3**  
 73 1/3  
 PART NO.



1	RED	8	BLACK	F	LIGHT GREEN
2	BLUE	9	GREY		
3	YELLOW	A	PINK		
4	GREEN	B	SKY BLUE		
5	WHITE	C	BROWN		
7	ORANGE	D	PURPLE		

U	AWG 16	UL105
K	AWG 18	UL105
L	AWG 20	UL1007
	AWG 22	UL1007

DRAWN	CHKD	TOPE LEVEL No	SEGA SEGA AMUSEMENTS EUROPE, LTD.	THIS DRAWING WILL IN NO WAY BE COPIED. TO BE RETURNED ON DEMAND.	ORIGINAL SIZE A3
CW		FD-0000UK			
20/06/09			FORD RACING - FULL BLOWN DX		2/3
ALTERATIONS			DESCRIPTION		PART NO.



1	RED	8	BLACK	F	LIGHT GREEN
2	BLUE	9	GREY		
3	YELLOW	A	PINK		
4	GREEN	B	SKY BLUE		
5	WHITE	C	BROWN		
7	ORANGE	D	PURPLE		

DRAWN	CHKD	TOPE LEVEL No
CW		FD-0000UK
20/06/09		

**SEGA** SEGA AMUSEMENTS EUROPE, LTD. THIS DRAWING WILL IN NO WAY BE COPIED, ORIGINAL SIZE  
 TO BE RETURNED ON DEMAND. A3  
**FORD RACING - FULL BLOWN DX** 75 3/3  
 DESCRIPTION PART NO.

ALTERATIONS	COLOUR CODE	WIRE TYPE
-------------	-------------	-----------

SEGA amusements europe RoHS / WEE information.



This symbol on the product or on its packaging indicates that this product must not be disposed of within the normal waste stream. Instead, it is your responsibility to dispose of the equipment by handing it over to a designated collection point for the recycling of waste electrical and electronic equipment.

The separate collection and recycling of your waste equipment at the time of disposal will help to conserve natural resources and ensure that it is recycled in a manner that protects human health and the environment.

For more information about where you can drop off your waste equipment for recycling, please contact your local city office, your household waste disposal service or where you purchased the product.

SEGA AMUSEMENT EUROPE encourages the recycling of its products is committed to transitioning its products to meet with WEEE and RoHS requirements.

# SEGA



SEGA AMUSEMENTS EUROPE LTD.  
Suite 3A, Oaks House, 12-22 West Street,  
Epsom, Surrey. KT18 7RG  
TEL: +44(0)1372 731820  
FAX: +44(0)1372 731849

© SEGA 2006