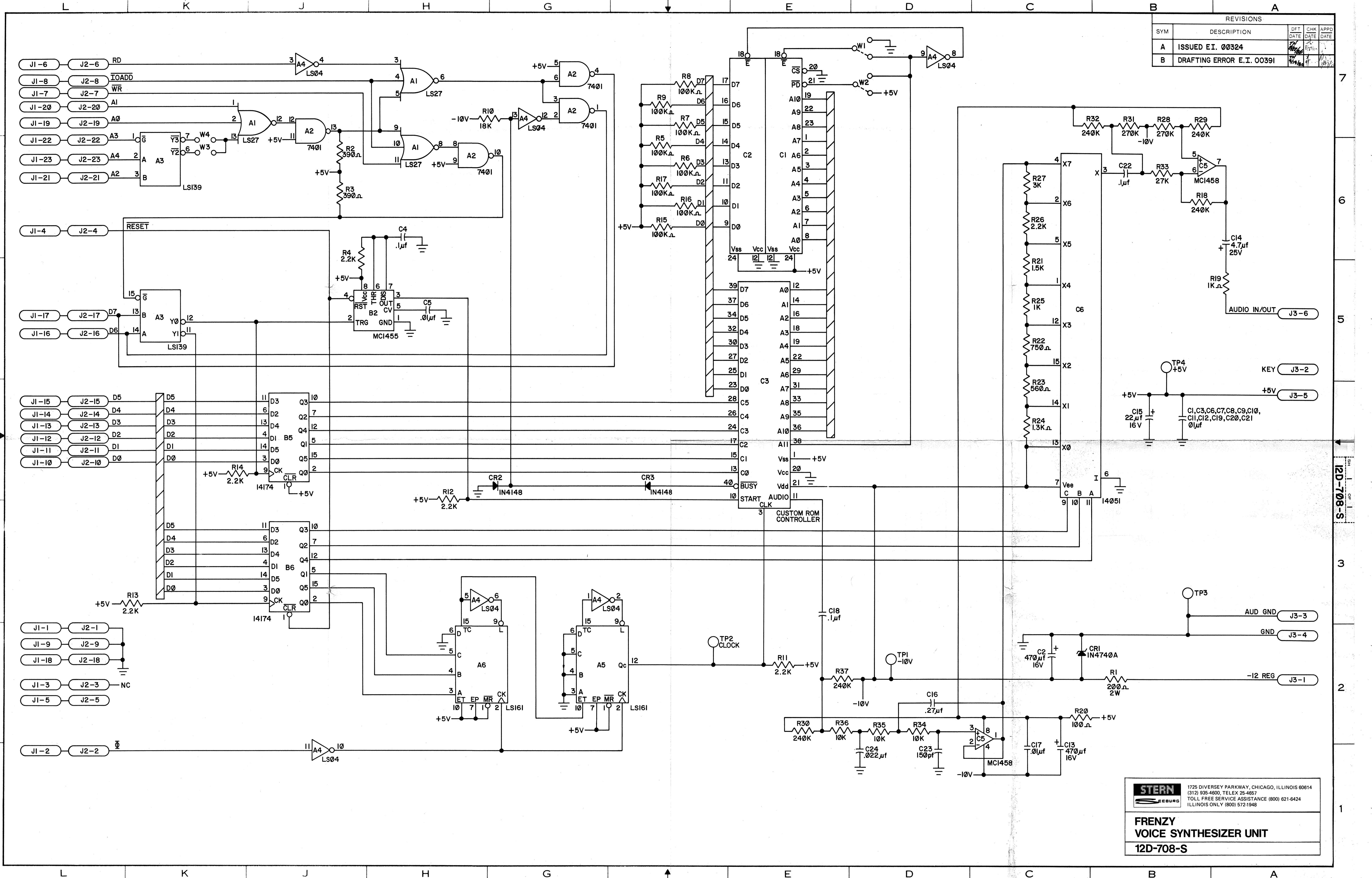



REVISIONS				
SYM	DESCRIPTION	DFT. DATE	CHK. DATE	APPD. DATE
A	ISSUED E.I. 00324			
B	DRAFTING ERROR E.I. 00391			

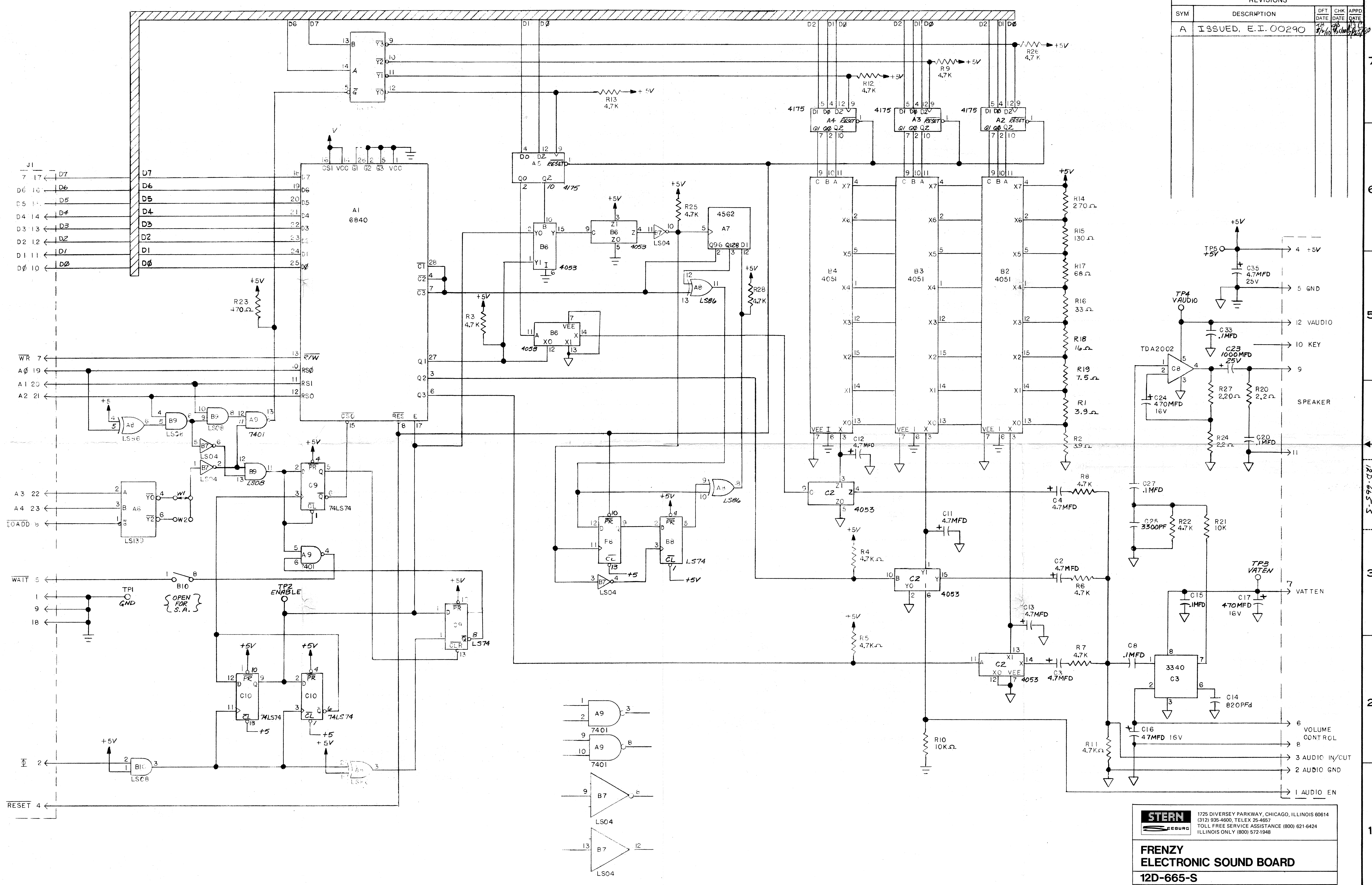



 1725 DIVERSEY PARKWAY, CHICAGO, ILLINOIS 60614
 (312) 936-4600, TELEX 23-4857
 TOLL FREE SERVICE ASSISTANCE (800) 621-6424
 ILLINOIS ONLY (800) 572-1948

FRENZY
VOICE SYNTHESIZER UNIT
12D-708-S

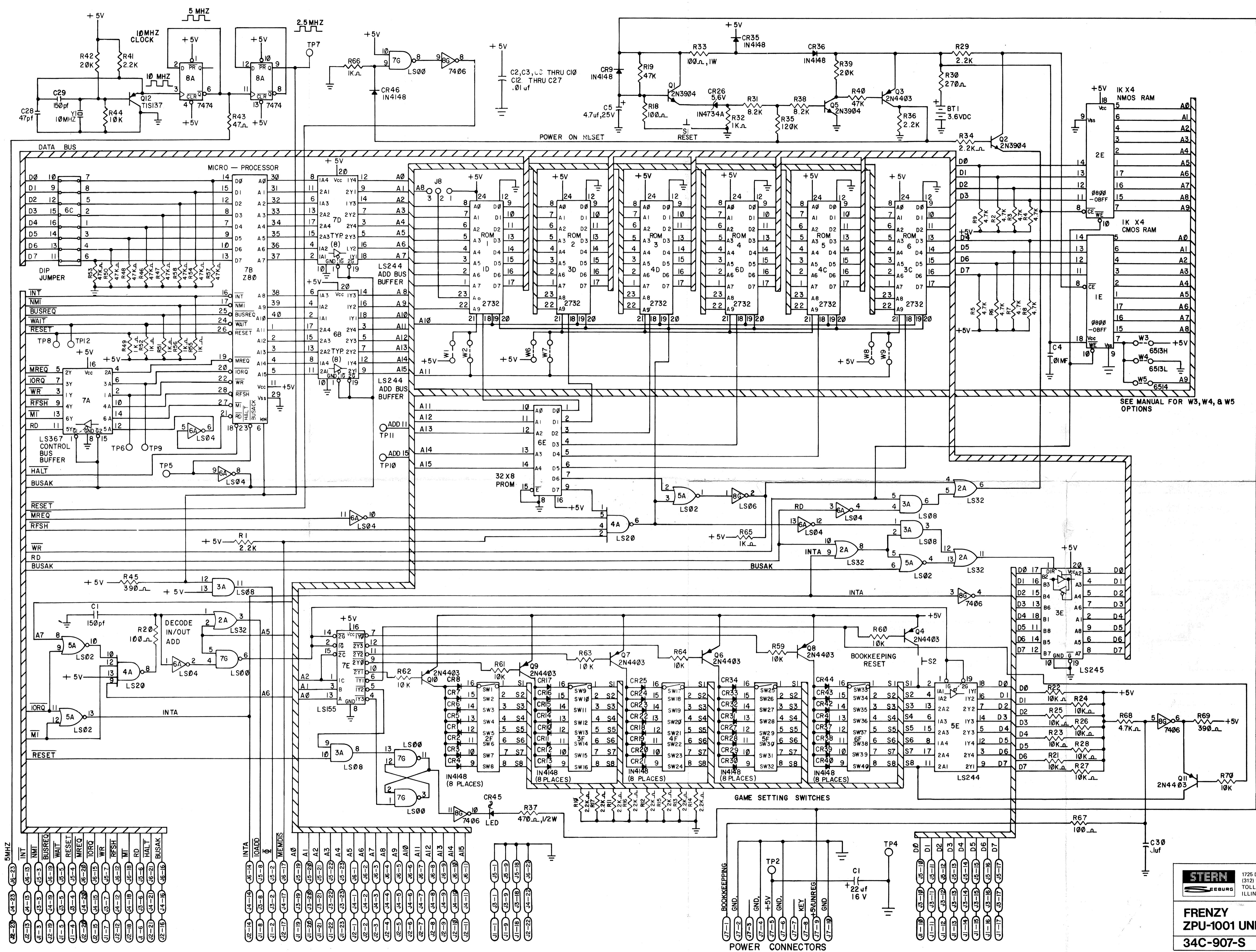
12D-708-S

REVISIONS				
SYM	DESCRIPTION	DFT DATE	CHK DATE	APPD DATE
A	ISSUED, E.I. 00290	8/2/80	8/2/80	8/2/80



STERN 1725 DIVERSEY PARKWAY, CHICAGO, ILLINOIS 60614
 (312) 936-4600, TELEX 25-4657
 TOLL FREE SERVICE ASSISTANCE (800) 621-6424
 ILLINOIS ONLY (800) 572-1948

FRENZY
ELECTRONIC SOUND BOARD
12D-665-S

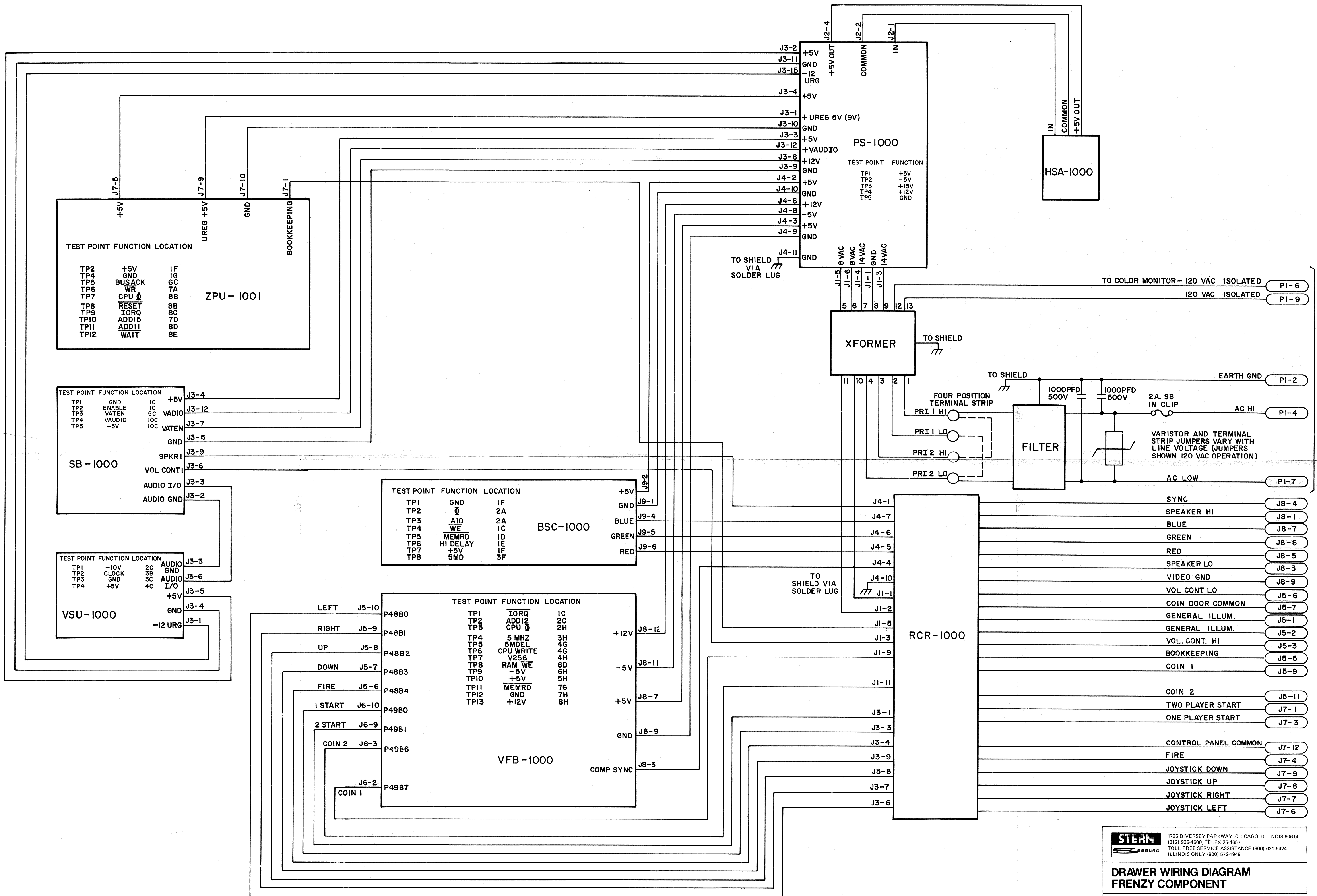


SPARE GATES
 13 8 12
 7406

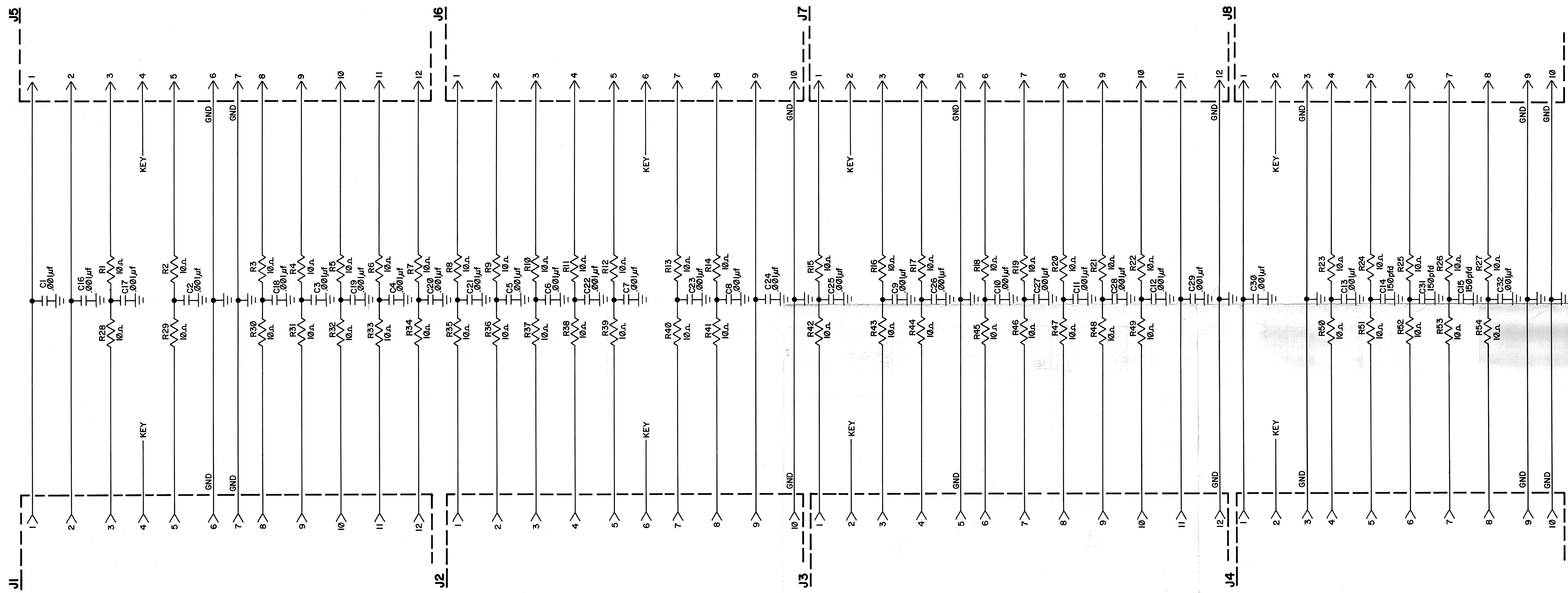
SEE MANUAL FOR W3, W4, & W5
 OPTIONS

STERN
 1725 DIVERSEY PARKWAY, CHICAGO, ILLINOIS 60614
 (312) 936-4600, TELEX 26-4657
 TOLL FREE SERVICE ASSISTANCE (800) 621-6424
 ILLINOIS ONLY (800) 572-1948

FRENZY
ZPU-1001 UNIT
34C-907-S



REVISIONS			
SYM	DESCRIPTION	DFT DATE	APPD DATE
A	ISSUED E. I. 00389	12/1/78	12/1/78

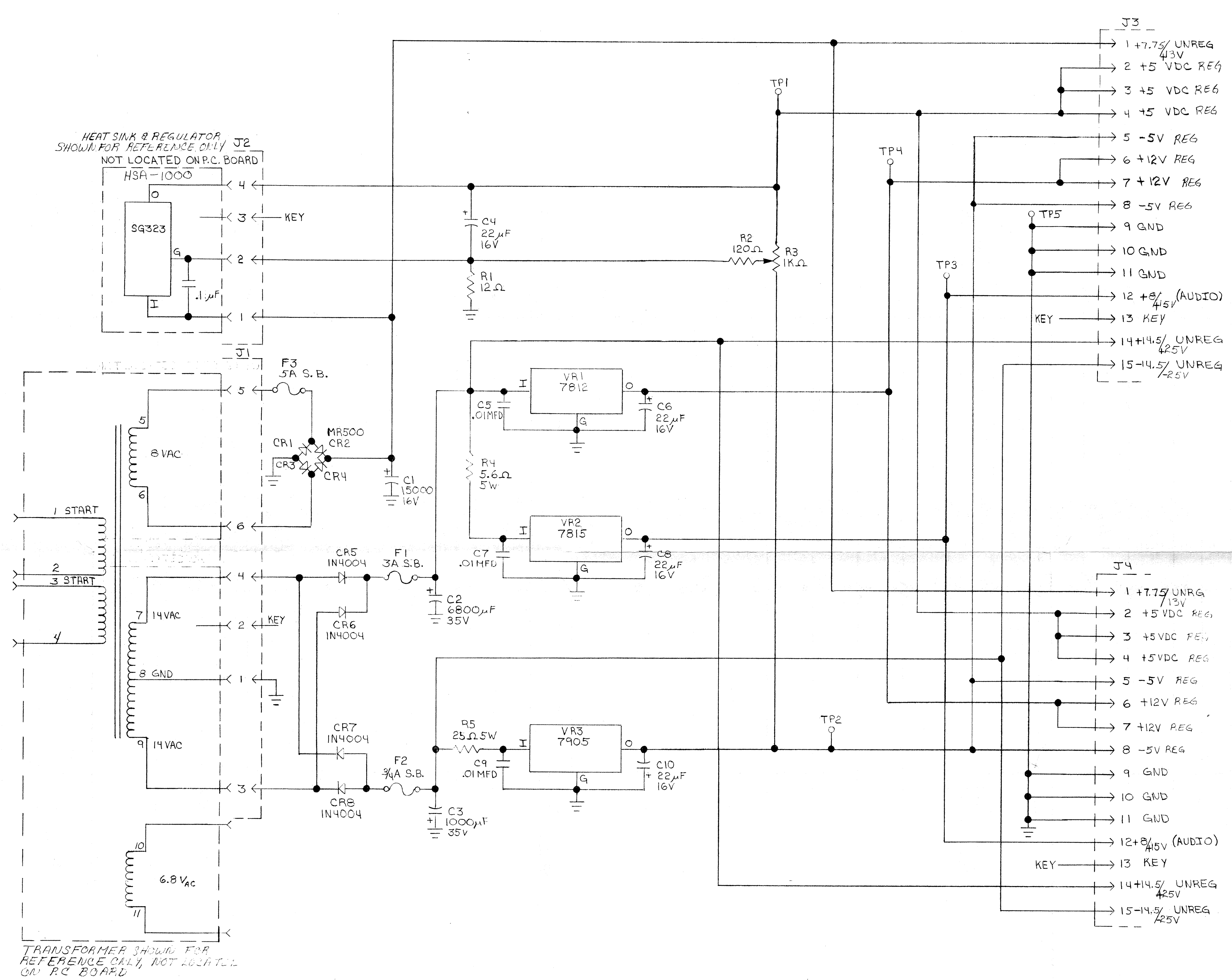


12D-788-S

STERN
 1725 DIVERSEY PARKWAY, CHICAGO, ILLINOIS 60614
 (312) 935-4600, TELEX 25-4657
 TOLL FREE SERVICE ASSISTANCE (800) 621-6424
 ILLINOIS ONLY (800) 572-1948

**FRENZY RESISTOR,
 CAPACITOR & RESISTOR BOARD**
 12D-788-S

REVISIONS				
SYM	DESCRIPTION	DFT DATE	CHK DATE	APPD DATE
A	ISSUED, E.I. 00205	5/1/80	5/1/80	5/1/80



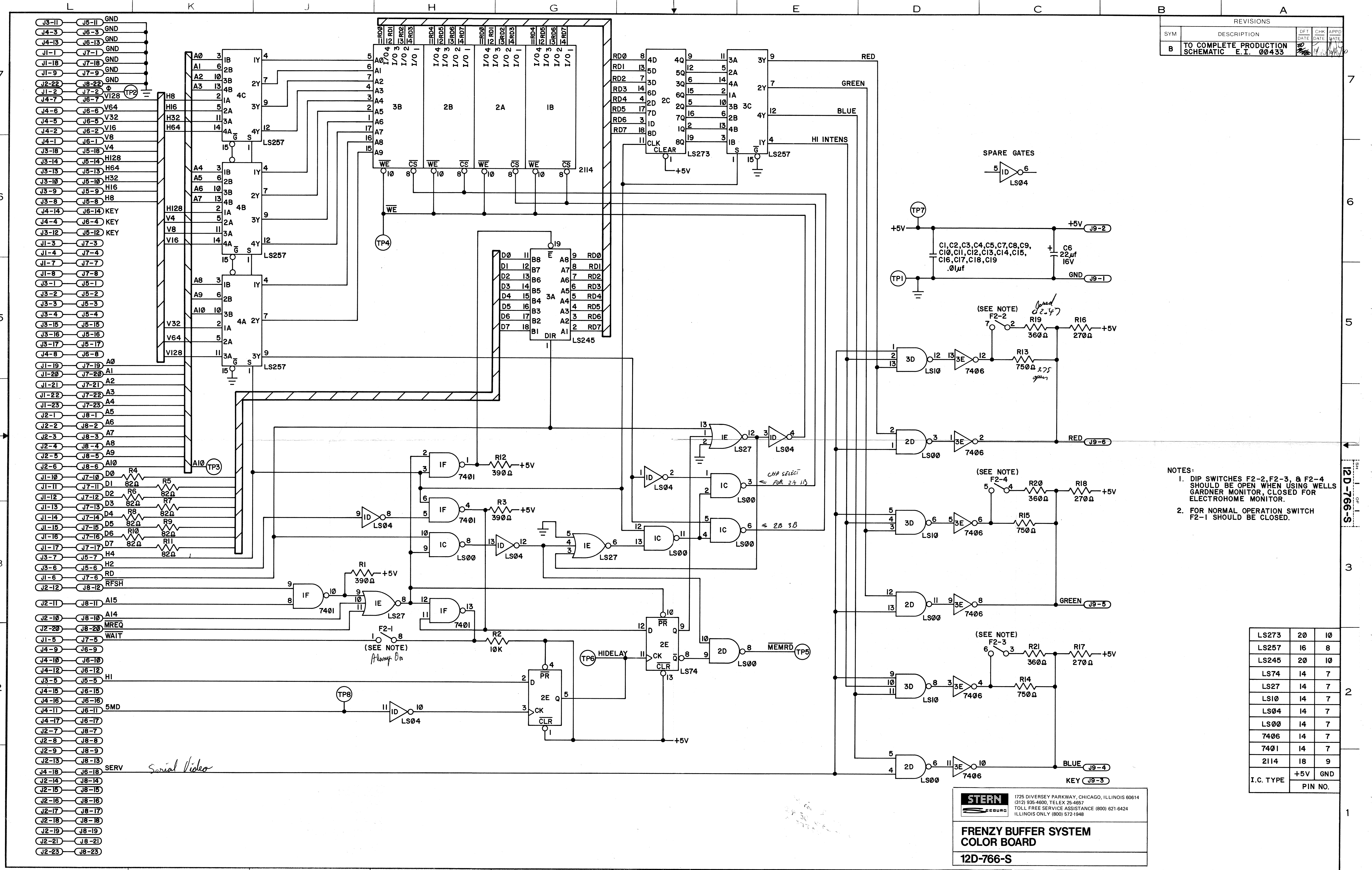
HEAT SINK & REGULATOR SHOWN FOR REFERENCE ONLY NOT LOCATED ON P.C. BOARD

TRANSFORMER SHOWN FOR REFERENCE ONLY, NOT LOCATED ON P.C. BOARD

STERN 1725 DIVERSEY PARKWAY, CHICAGO, ILLINOIS 60614
 (312) 936-4600, TELEX 25-4657
 TOLL FREE SERVICE ASSISTANCE (800) 621-6424
 ILLINOIS ONLY (800) 572-1948

FRENZY
POWER SUPPLY BOARD
12D-668-S

REVISIONS			
SYM	DESCRIPTION	DFT DATE	CHK APPD DATE
B	TO COMPLETE PRODUCTION SCHEMATIC E.I. 00433		



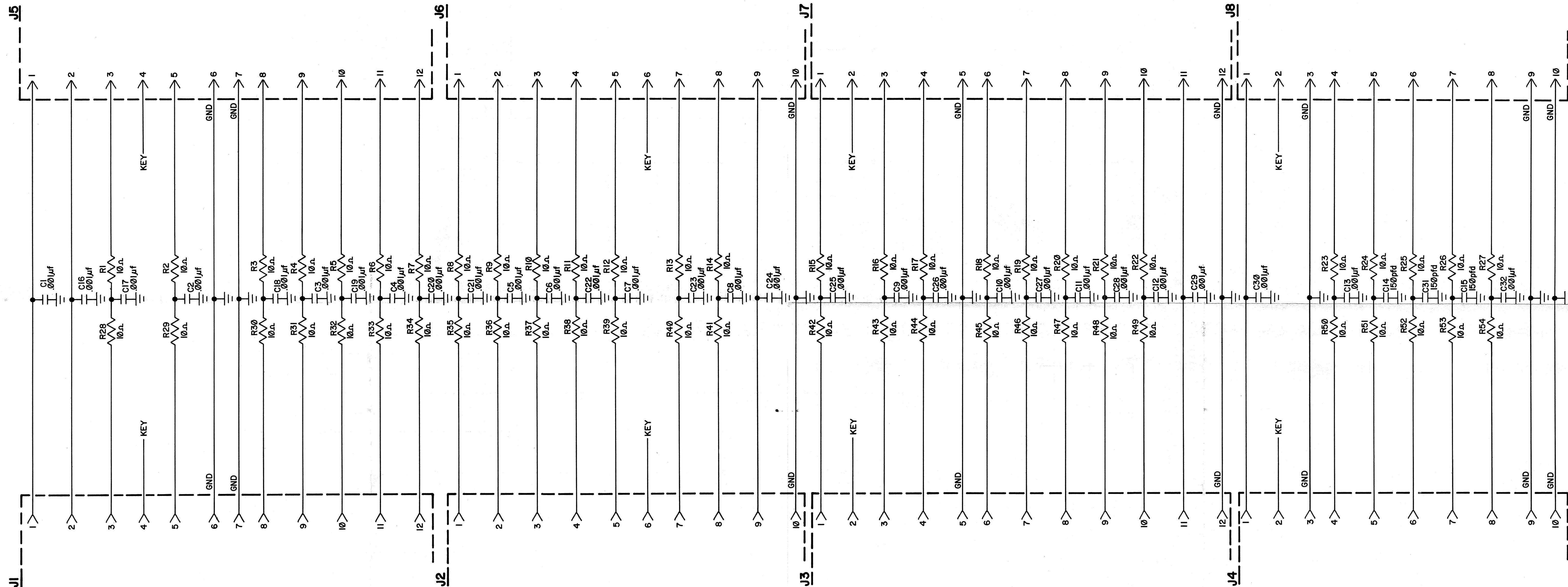
- NOTES:
- DIP SWITCHES F2-2, F2-3, & F2-4 SHOULD BE OPEN WHEN USING WELLS GARDNER MONITOR, CLOSED FOR ELECTROHOME MONITOR.
 - FOR NORMAL OPERATION SWITCH F2-1 SHOULD BE CLOSED.

LS273	20	10
LS257	16	8
LS245	20	10
LS74	14	7
LS27	14	7
LS10	14	7
LS04	14	7
LS00	14	7
7406	14	7
7401	14	7
2114	18	9
I.C. TYPE	+5V	GND
		PIN NO.

STERN 1725 DIVERSE PARKWAY, CHICAGO, ILLINOIS 60614
 (312) 936-4600, TELEX 26-4657
 TOLL FREE SERVICE ASSISTANCE (800) 621-6424
 ILLINOIS ONLY (800) 672-1948

**FRENZY BUFFER SYSTEM
 COLOR BOARD
 12D-766-S**

REVISIONS				
SYM	DESCRIPTION	DFT DATE	CHK DATE	APPD DATE
A	ISSUED E. I. 00389	2/27/88	2/27/88	2/27/88



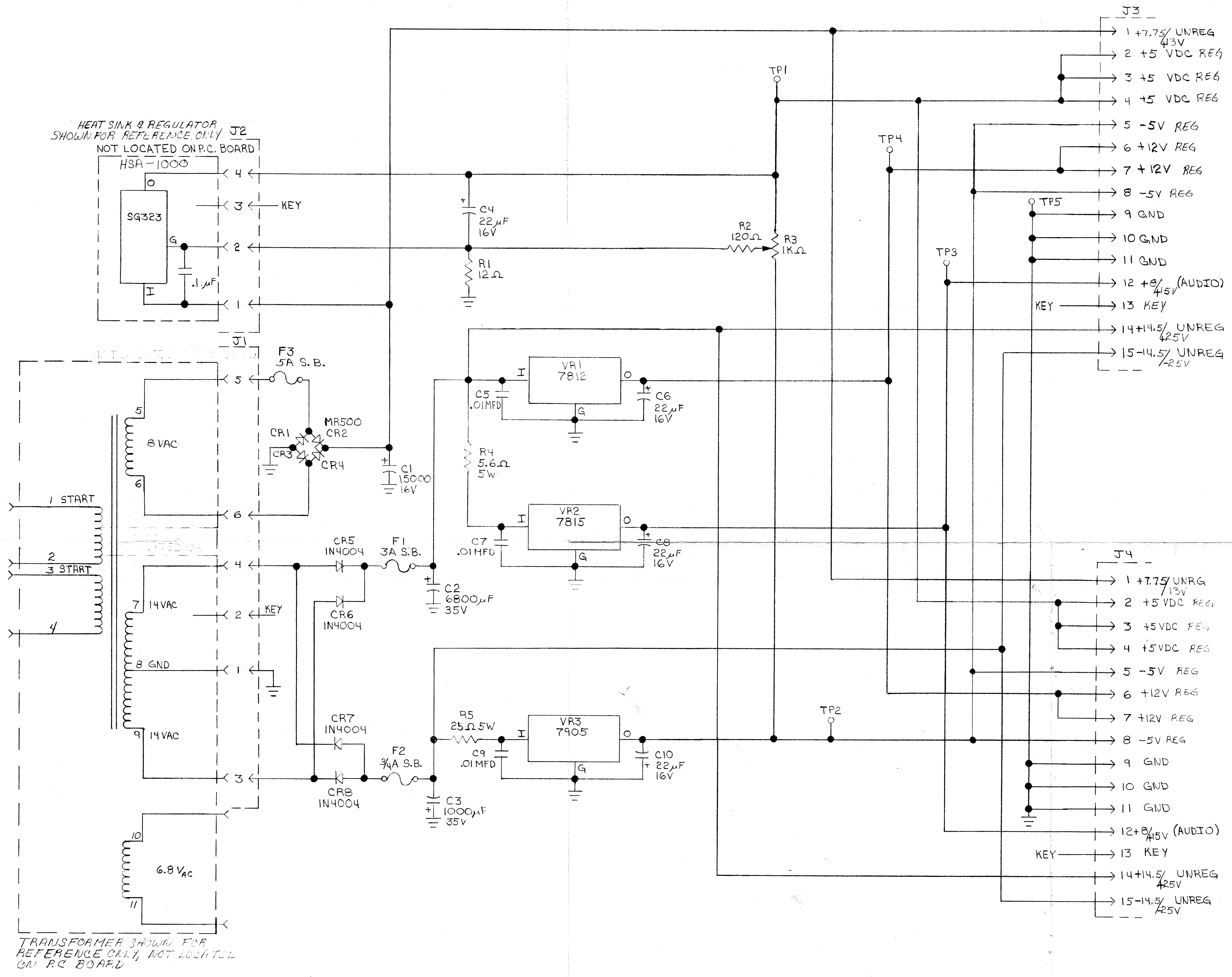
12D-788-S

STERN 1725 DIVERSEY PARKWAY, CHICAGO, ILLINOIS 60614
 (312) 935-4600, TELEX 25-4657
 TOLL FREE SERVICE ASSISTANCE (800) 621-6424
 ILLINOIS ONLY (800) 572-1948

**FRENZY RESISTOR,
 CAPACITOR & RESISTOR BOARD**

12D-788-S

REVISIONS			
SYM	DESCRIPTION	DFT. DATE	CHK. DATE
A	ISSUED, E.I. 00285	5/1/60	5/1/60



- J3 -**
- 1 +7.75^{43V} UNREG
 - 2 +5 VDC REG
 - 3 +5 VDC REG
 - 4 +5 VDC REG
 - 5 -5V REG
 - 6 +12V REG
 - 7 +12V REG
 - 8 -5V REG
 - 9 GND
 - 10 GND
 - 11 GND
 - 12 +8^{45V} (AUDIO)
 - 13 KEY
 - 14 +4.5^{425V} UNREG
 - 15 -4.5^{425V} UNREG

- J4 -**
- 1 +7.75^{13V} UNRG
 - 2 +5 VDC REG
 - 3 +5VDC REG
 - 4 +5VDC REG
 - 5 -5V REG
 - 6 +12V REG
 - 7 +12V REG
 - 8 -5V REG
 - 9 GND
 - 10 GND
 - 11 GND
 - 12 +8^{45V} (AUDIO)
 - 13 KEY
 - 14 +4.5^{425V} UNREG
 - 15 -4.5^{425V} UNREG

HEAT SINK & REGULATOR SHOWN FOR REFERENCE ONLY NOT LOCATED ON P.C. BOARD

TRANSFORMER SHOWN FOR REFERENCE ONLY, NOT LOCATED ON P.C. BOARD

STERN 1725 DIVERSEY PARKWAY, CHICAGO, ILLINOIS 60614
 (312) 935-4600, TELEX 25-4657
 TOLL FREE SERVICE ASSISTANCE (800) 621-6424
 ILLINOIS ONLY (800) 572-1948

FRENZY
POWER SUPPLY BOARD
 12D-668-S