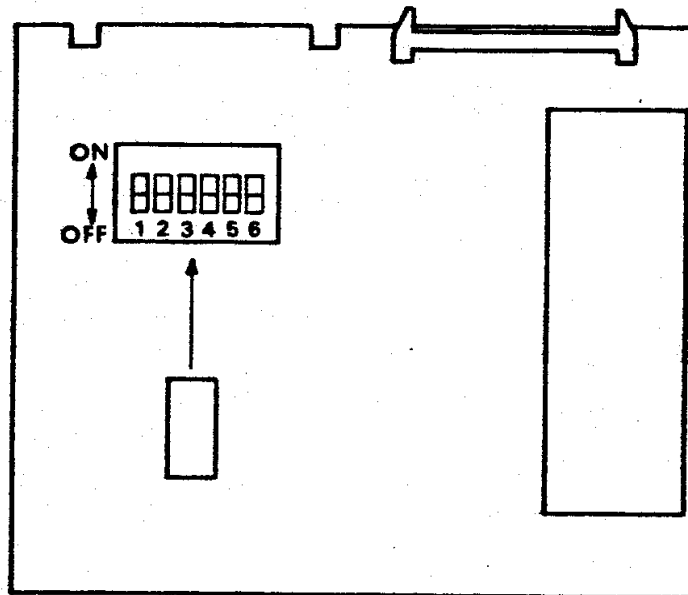


FROGGER

Technical

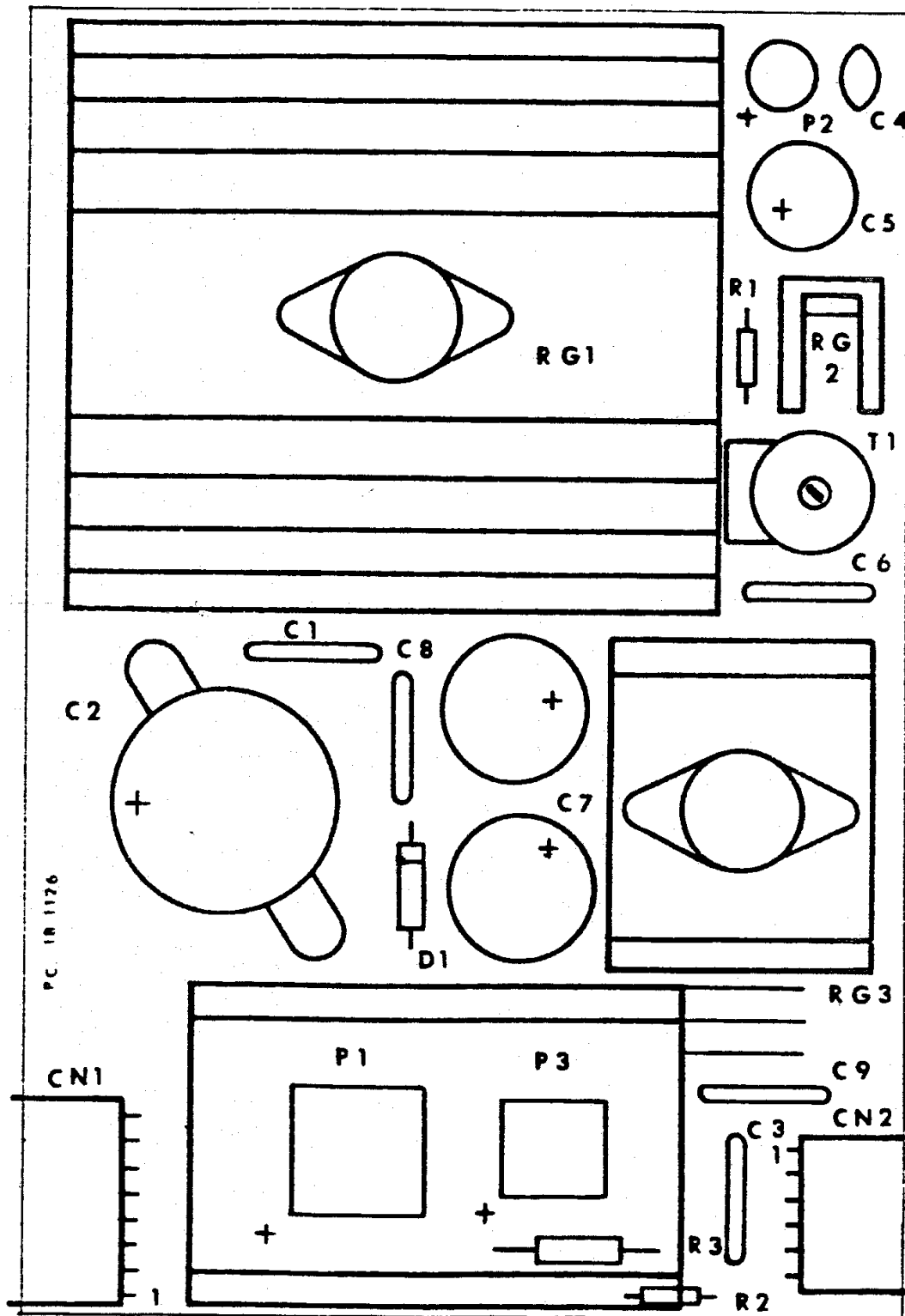
Manual

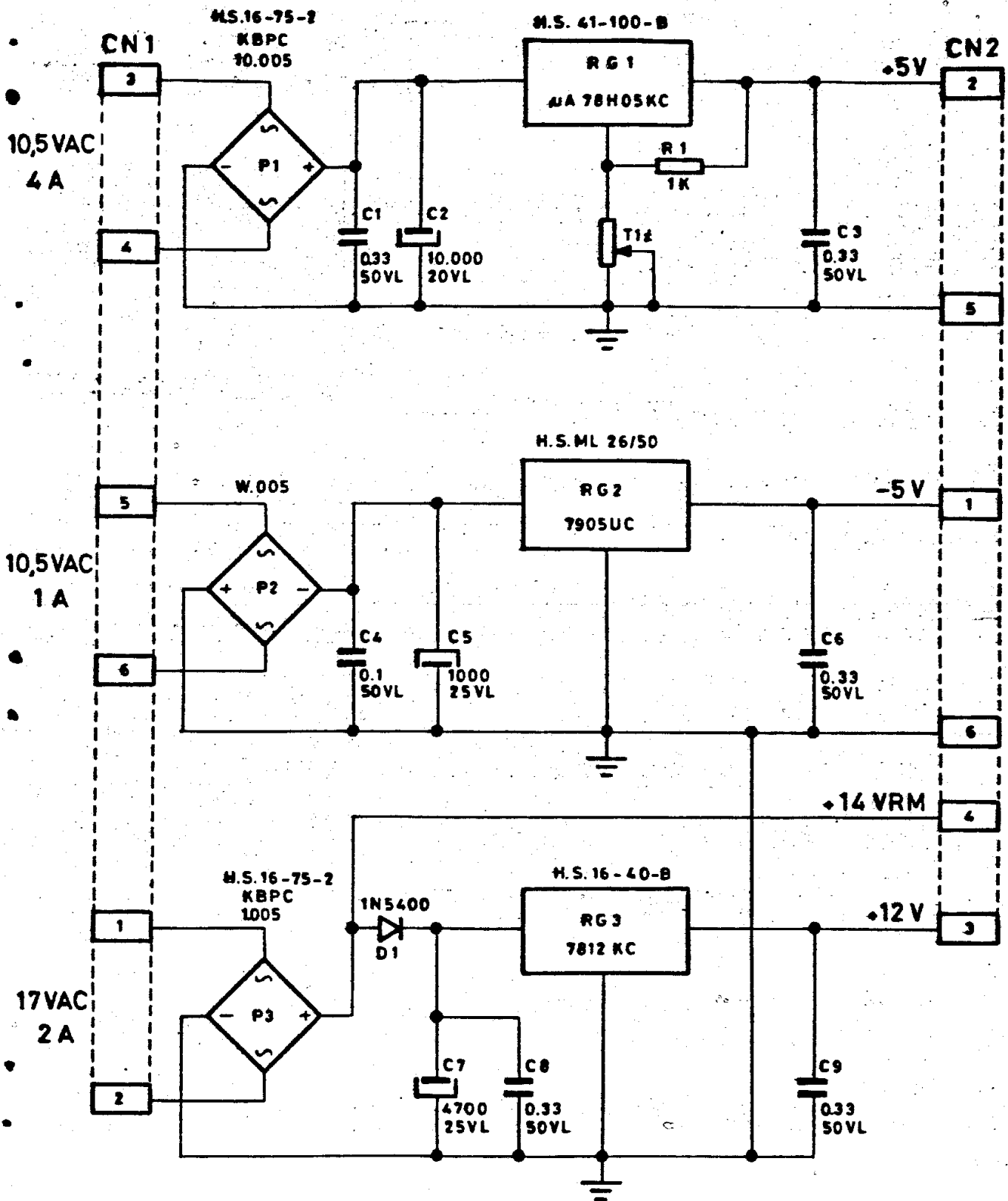
ADJUSTMENTS FOR IC BOARD



SW. 1	ON	ON	OFF	OFF
SW. 2	ON	OFF	ON	OFF
FROGGERS	3	5	7	2 5 6
SW. 3	ON	OFF		
GAME TYPE	UP RIGHT	TABLE		
SW. 4	ON	ON	OFF	OFF
SW. 5	ON	OFF	ON	OFF
COIN SW. 1	1 COIN 1 PLAY	2 COINS 1 PLAY	3 COINS 1 PLAY	4 COINS 1 PLAY
COIN SW. 2	1 COIN 1 PLAY	2 COINS 1 PLAY	3 COINS 1 PLAY	4 COINS 1 PLAY

**technical
parts**





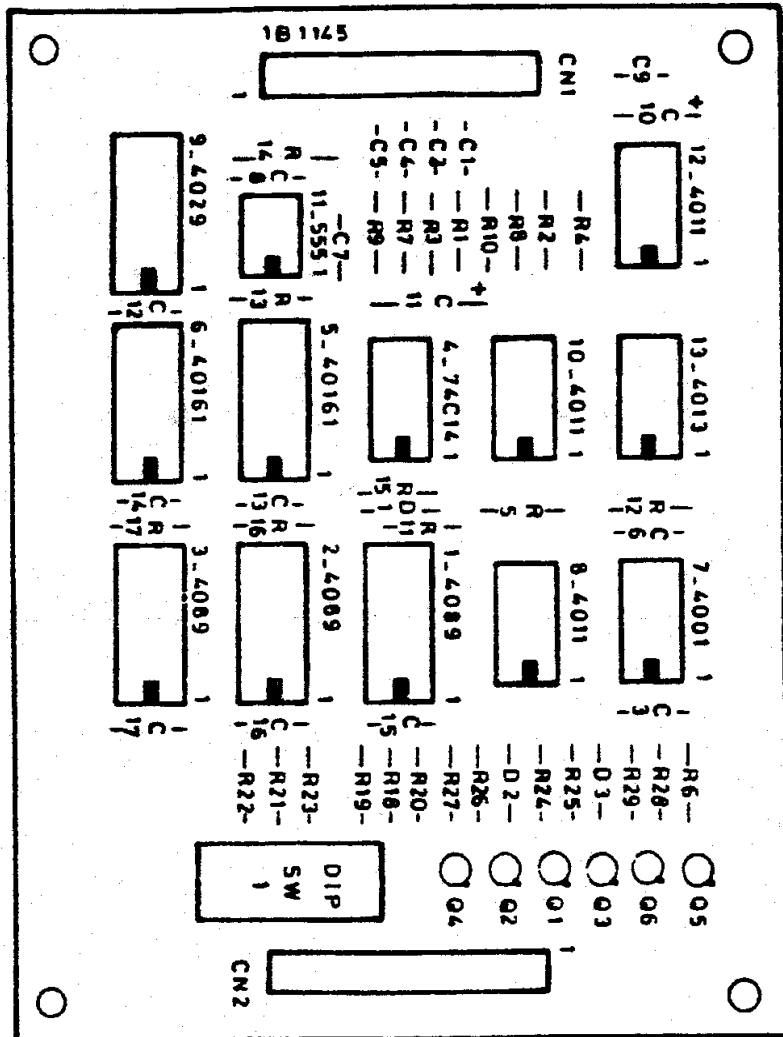
±: 47 Δ TRIMMER or 22 Δ 1/4W 5% RESISTOR

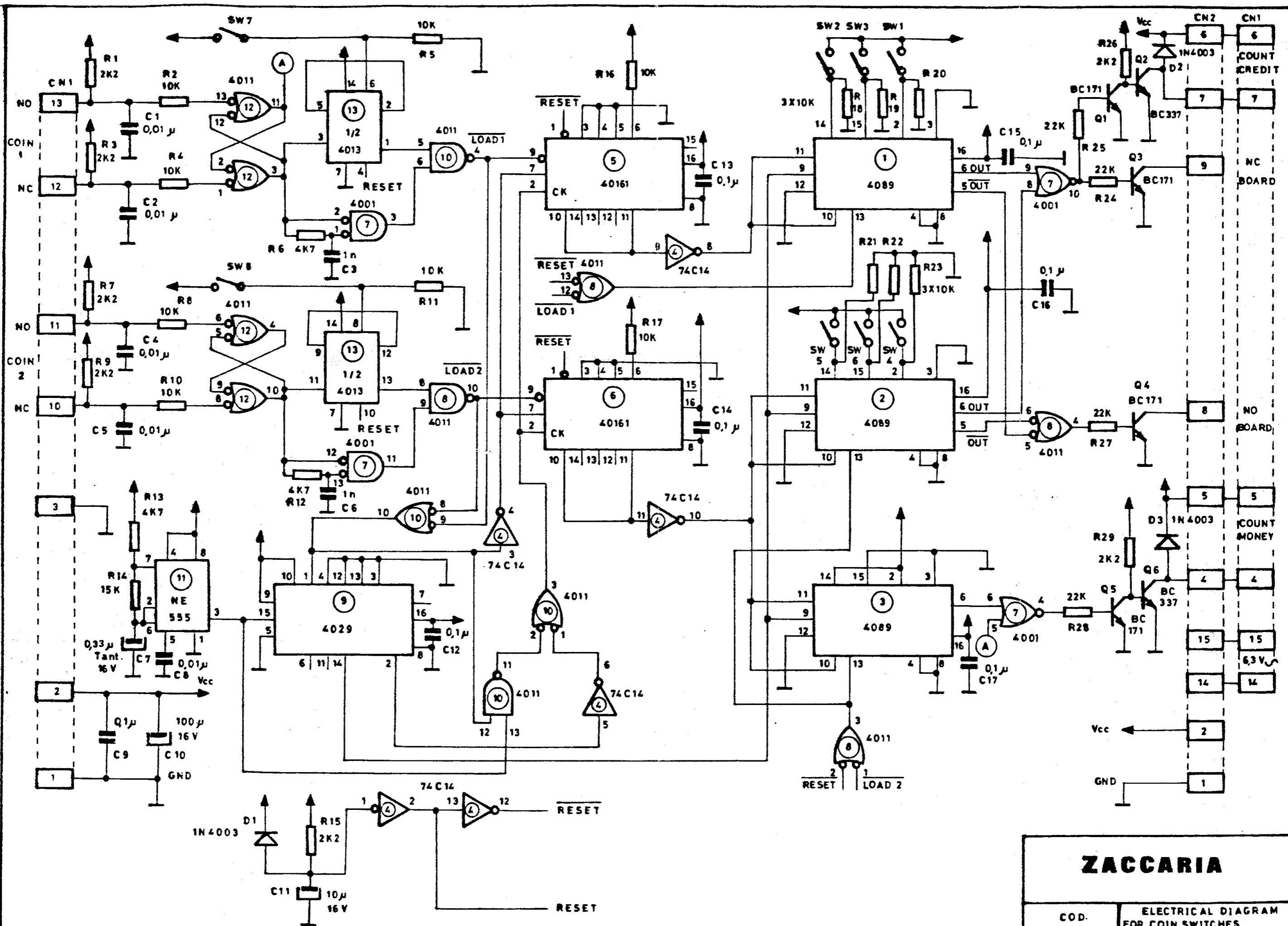
F.LI ZACCARIA s.n.c.
Via Armadori, 16 - 40012 CALDERARA DI RENO (Bo) Italy

PART NAME		PART NO.	
POWER BOARD 1B1126 (CEC 110)		1B1326-F	
DWA	DATE	REV.	SHEET
At. P. A.	30-8-84		- 1 -

NOTES: UNLESS OTHERWISE SPECIFIED
1) ALL RESISTORS VALUES IN Ω
2) ALL CAPACITORS VALUES IN μ F

Coin switches adjustments board 1B1145
CEC 069





ZACCARIA

COD. 18 1345	ELECTRICAL DIAGRAM FOR COIN SWITCHES ADJUSTMENT BOARD 181145
-----------------	--

