

PRELIMINARY ELECTRICAL SECTION



FUTURE SPY U.R.

Bally

MIDWAY MFG. CO.

10601 W Belmont Avenue
Franklin Park, Illinois 60131
U.S.A.



Phone: (312) 451-9200 Cable Address: MIDCO Telex No.: 72-1596

WARNING

THIS GAME MUST BE GROUNDED. FAILURE TO DO SO MAY RESULT IN DESTRUCTION TO ELECTRONIC COMPONENTS.

WARNING: This equipment generates, uses, and can radiate radio frequency energy and if not used in accordance with the instructions manual, may cause interference to radio communications. It has been tested and found to comply with the limits for a CLASS A computing device pursuant to SUBPART J of PART 15 of FCC RULES, which are designed to provide reasonable protection against such interference when operated in a commercial environment. Operation of this equipment in a residential area is likely to cause interference in which case the user at his own expense will be required to take whatever measures may be required to correct the interference.

ELECTRICAL BULLETIN: FOR ALL APPARATUS COVERED BY THE CANADIAN STANDARDS ASSOCIATION (CSA) STANDARD C22.2 NO. 1, WHICH EMPLOYS A SUPPLY CORD TERMINATED WITH A POLARIZED 2-PRONG ATTACHMENT PLUG.

CAUTION: TO PREVENT ELECTRIC SHOCK DO NOT USE THIS (POLARIZED) PLUG WITH AN EXTENSION CORD, RECEPTACLE OR OTHER OUTLET UNLESS THE BLADES CAN BE FULLY INSERTED TO PREVENT BLADE EXPOSURE.

ATTENTION: POUR PREVENIR CHOCS ELECTRIQUES NE PAS UTILISER CETTE FICHE POLARISEE AVEC UN PROLONGATEUR, UNE PRISE DE COURANT OU UNE AUTRE SORTIE DE COURANT, SAUF SI LES LAMES PEUVENT ETRE INSEREES A FOND SANS EN LAISSER AUCUNE PARTIE A DECOUVERT.

Bally MIDWAY

Invites You To Use

**OUR TOLL FREE NUMBERS FOR
SERVICE INFORMATION CONCERNING THIS GAME, OR ANY
OTHER BALLY MIDWAY GAME YOU NOW HAVE ON LOCATION.**

**CALL US FOR PROMPT, COURTEOUS
ANSWERS TO YOUR PROBLEMS.**

VIDEO → Continental U.S. 1-800-323-7182

PINBALL → Continental U.S. 1-800-323-3555

Bally MIDWAY

10601 West Belmont Avenue Franklin Park, Illinois, 60131

phone (312)451-9200

© COPYRIGHT MCMLXXXIV BY BALLY MIDWAY MFG. CO.

ALL RIGHTS RESERVED

NO PART OF THIS PUBLICATION MAY BE REPRODUCED BY ANY MECHANICAL, PHOTOGRAPHIC, OR ELECTRONIC PROCESS, OR IN THE FORM OF A PHONOGRAPHIC RECORDING, NOR MAY IT BE TRANSMITTED, OR OTHERWISE COPIED FOR PUBLIC OR PRIVATE USE, WITHOUT PERMISSION FROM THE PUBLISHER. THIS MANUAL IS FOR SERVICE USE ONLY, AND NOT FOR GENERAL DISTRIBUTION. FOR PERMISSION REQUESTS, WRITE: BALLY MIDWAY MFG. CO., 10601 W. BELMONT AVE., FRANKLIN PARK, IL 60131

Printed in U.S.A.

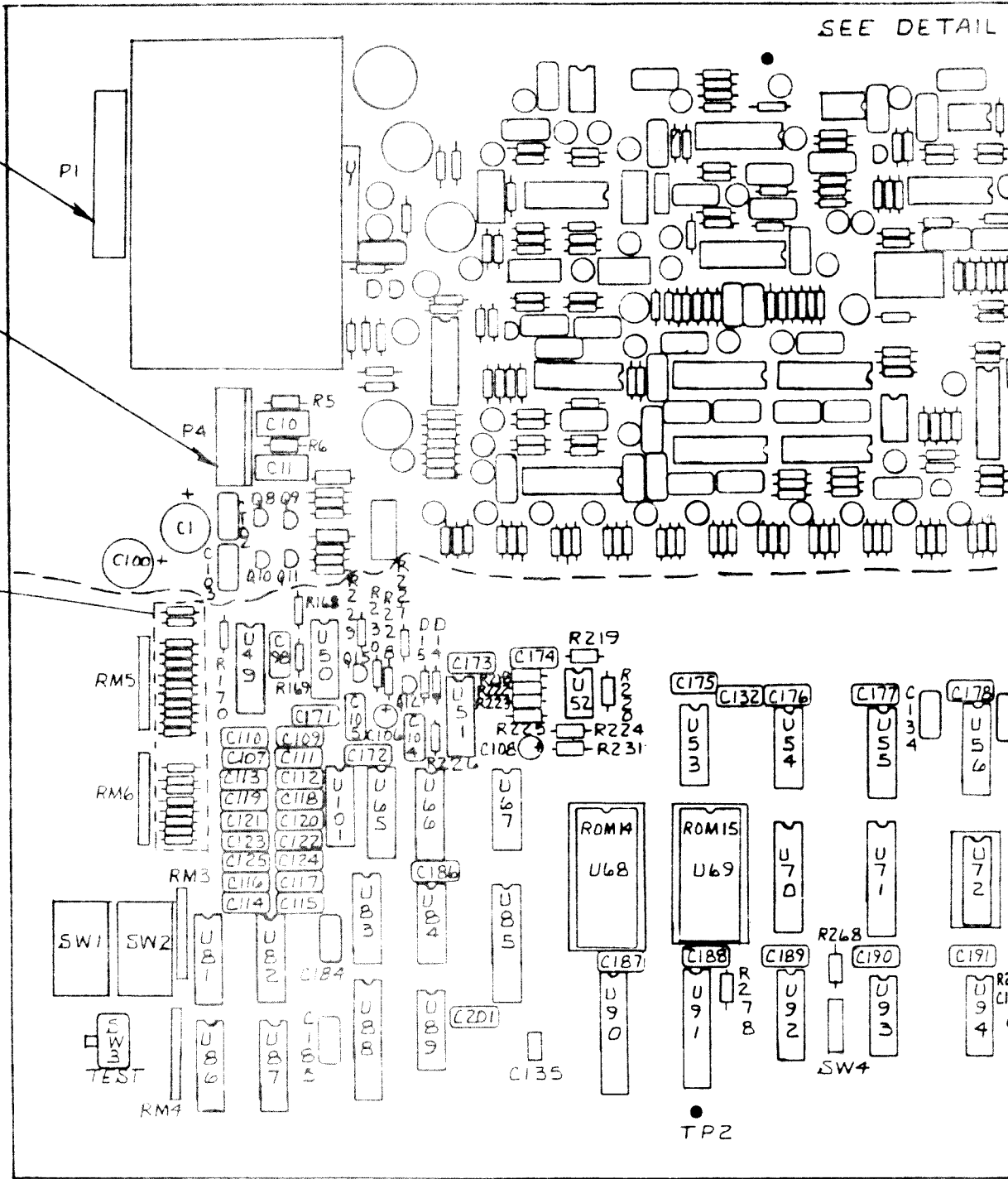
PLEASE NOTE:

A complete OPERATOR'S MANUAL was not available when your new game was shipped. If you will complete the enclosed postage free card and drop it in the mail to us, BALLY/MIDWAY MFG. CO. will be happy to send you the OPERATOR'S MANUAL for your new game by return mail.

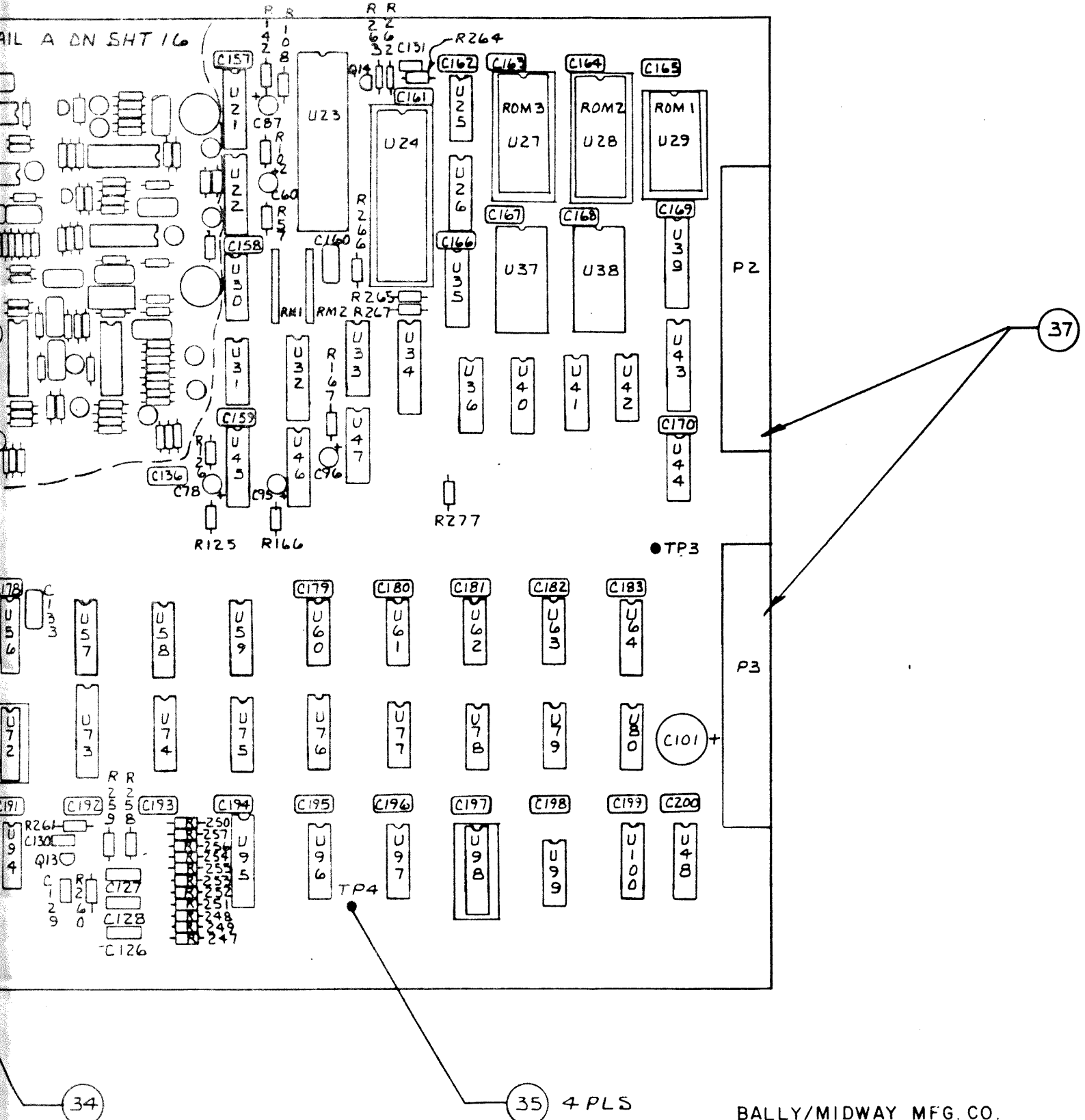
SEE DETAIL

36

38



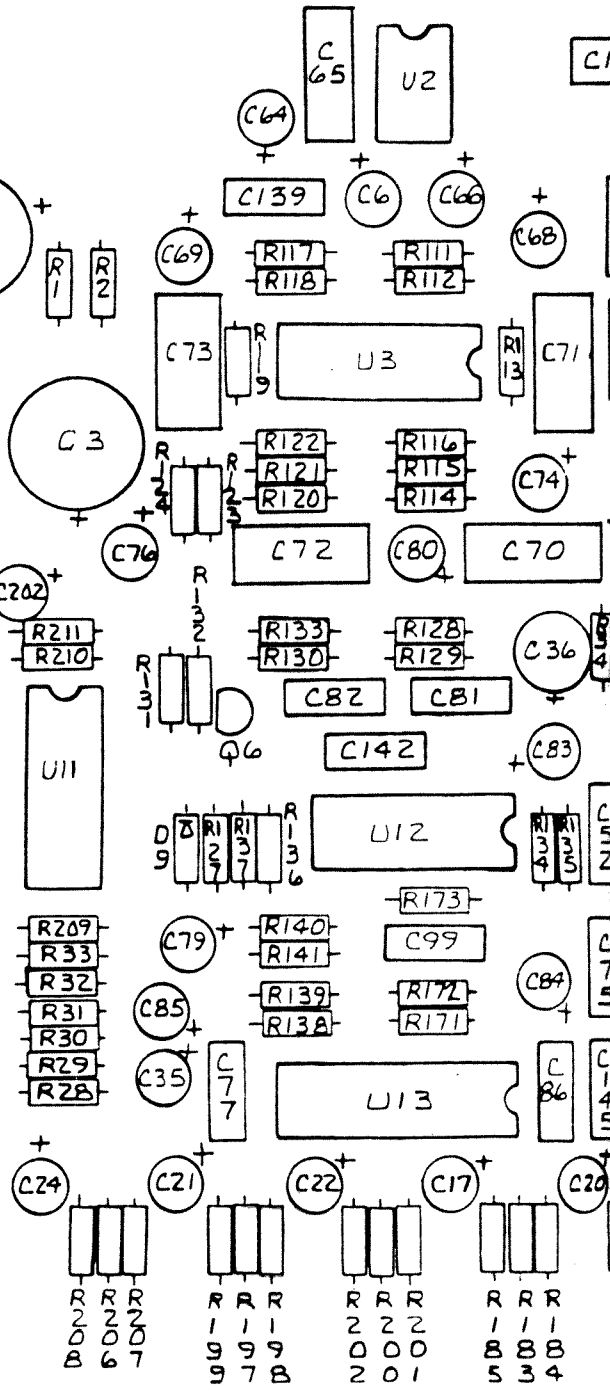
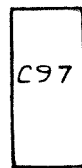
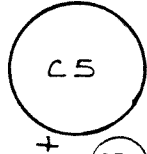
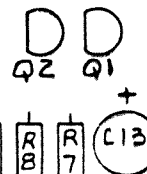
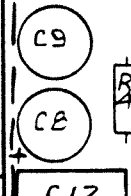
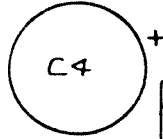
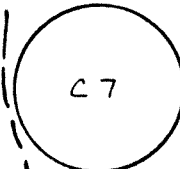
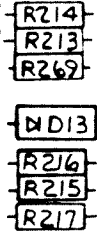
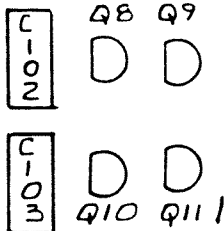
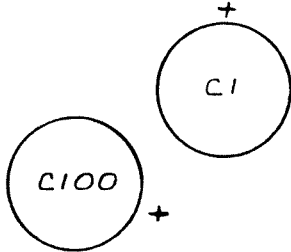
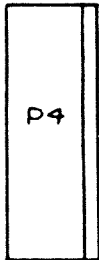
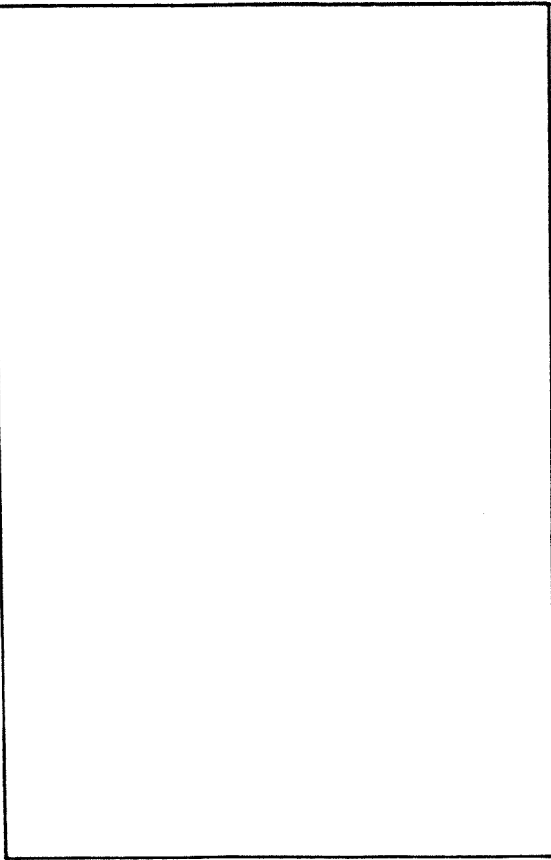
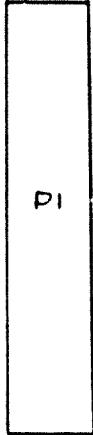
- R270
- R271
- R272
- R273
- R274
- R232
- R233
- R234
- R235
- R236
- R237
- R238
- R239
- R240
- R241
- R242
- R243
- R244
- R245
- R246



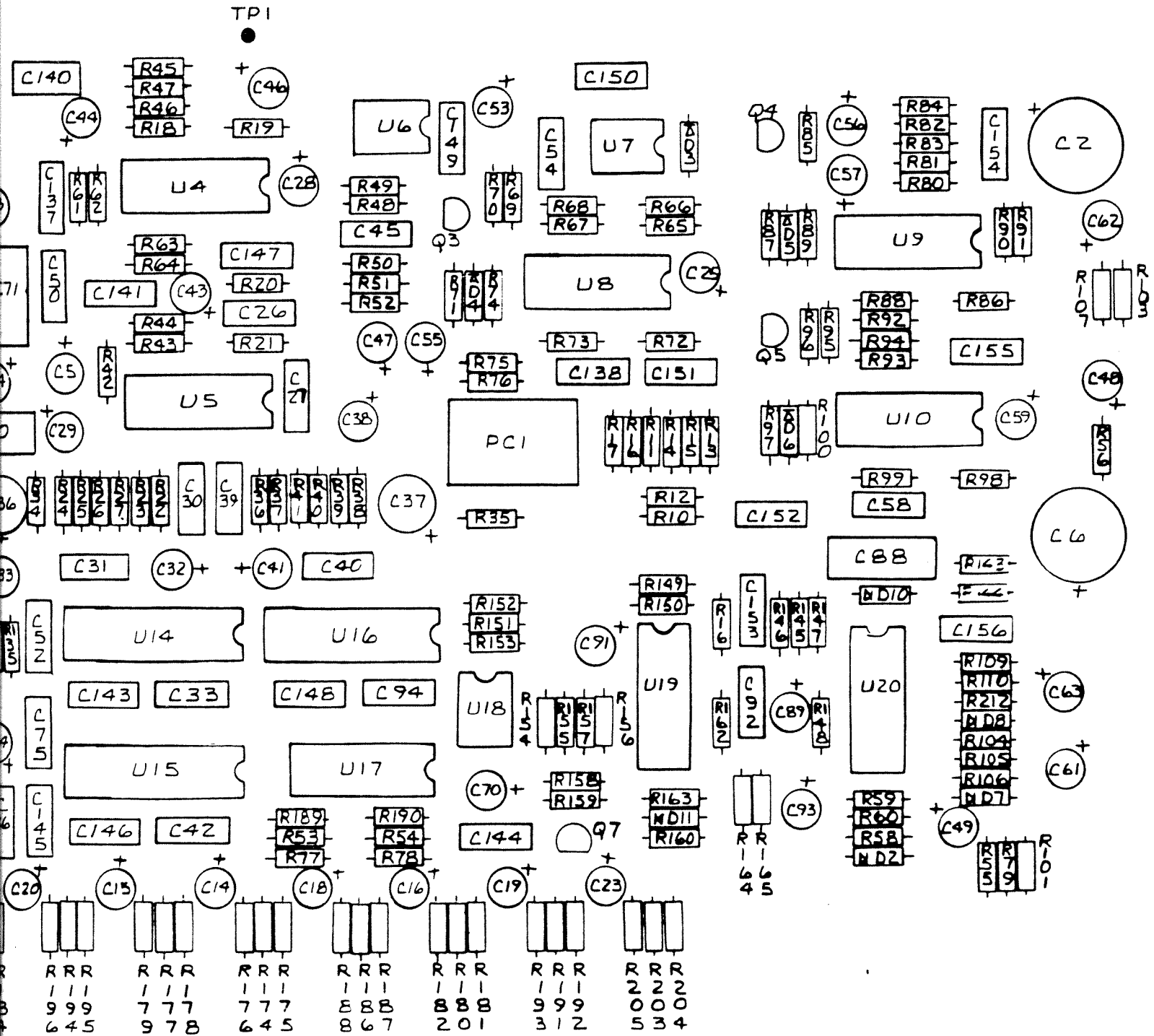
BALLY/MIDWAY MFG. CO.

M051-00B83-A009
A084-91771-AB83

REF ONLY



DETA



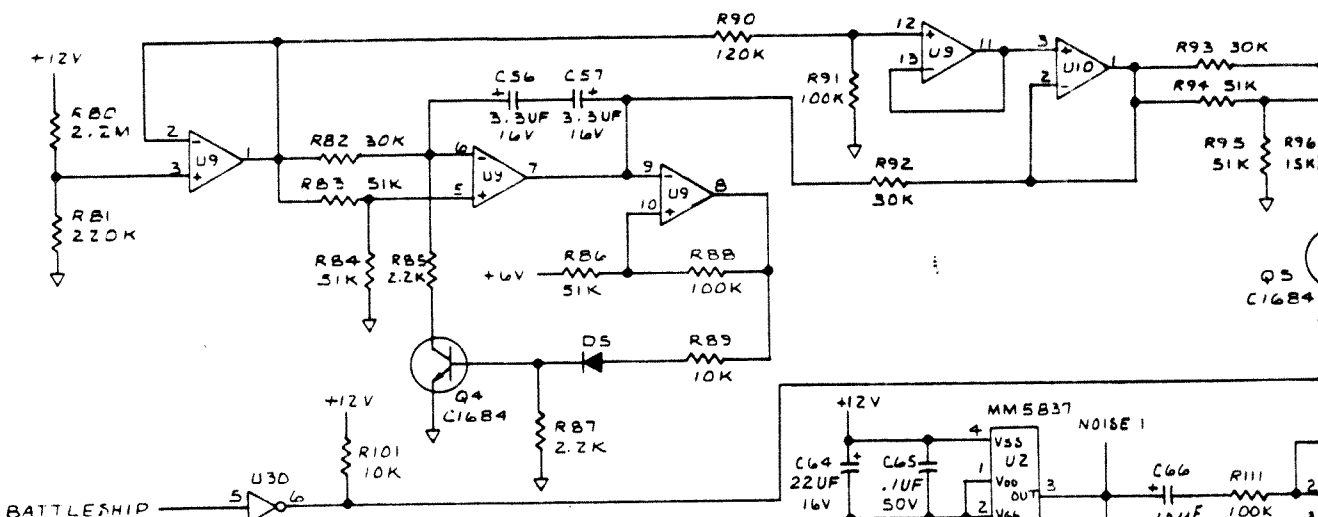
BALLY/MIDWAY MFG.CO.

M051-00B83-A009

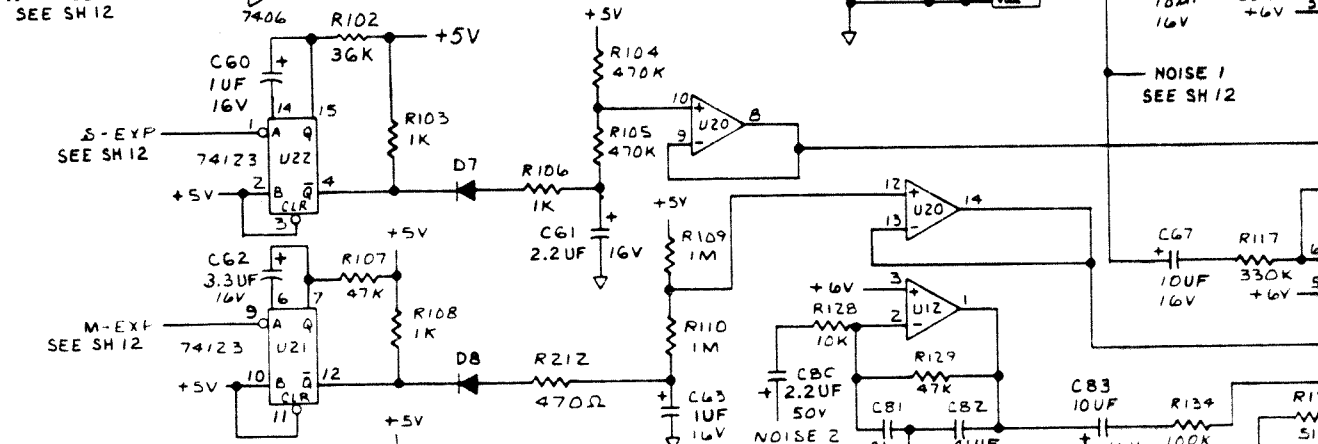
A084-91771-AB83

TAIL A

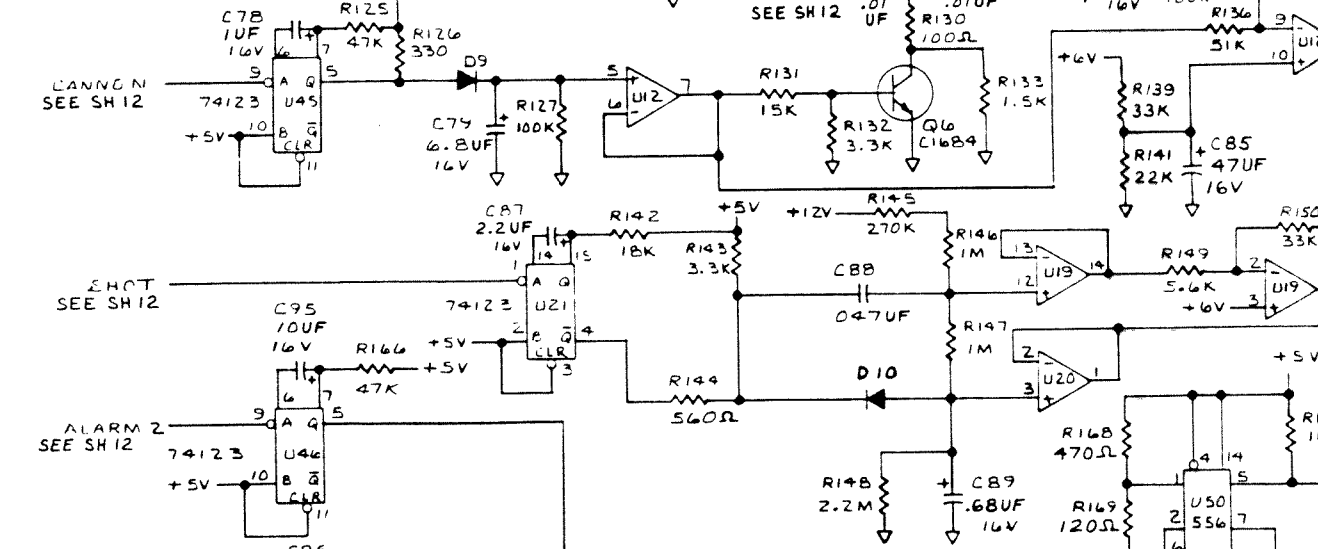
D



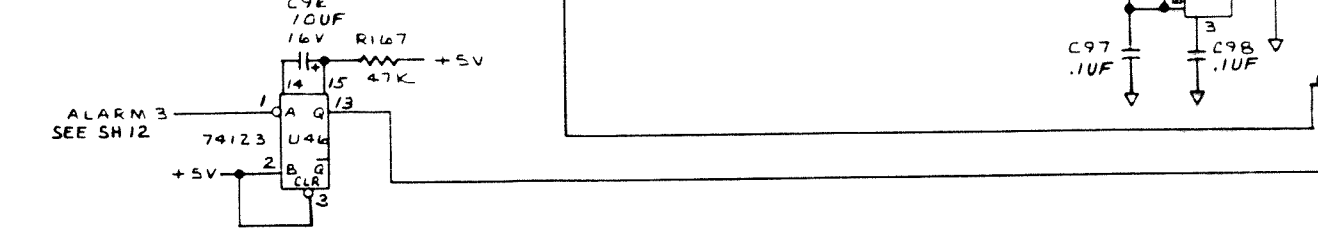
C



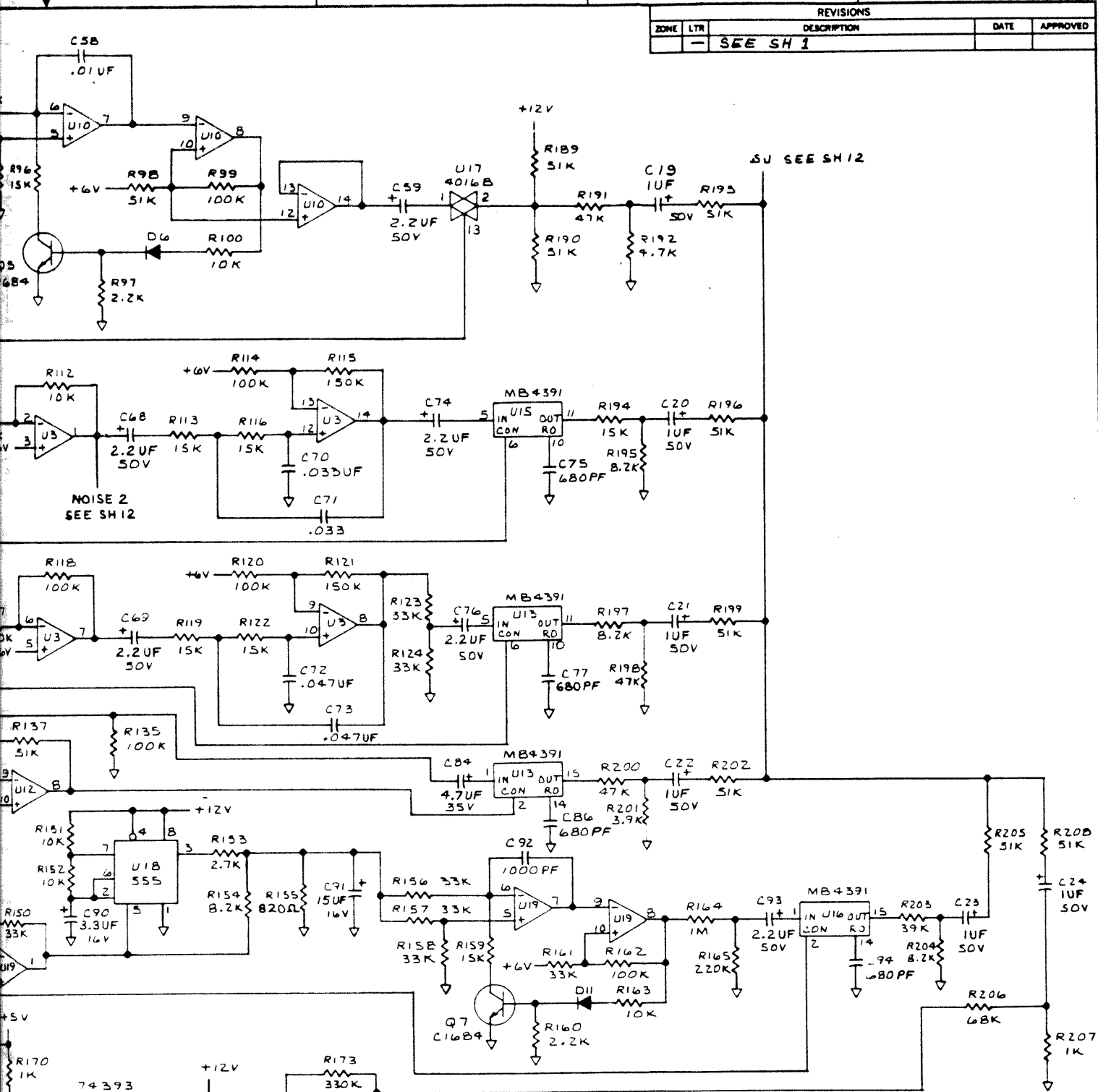
B



A



REVISIONS				
ZONE	LTR	DESCRIPTION	DATE	APPROVED
-	SEE SH 1			



D
C
B
A
834-0214 A

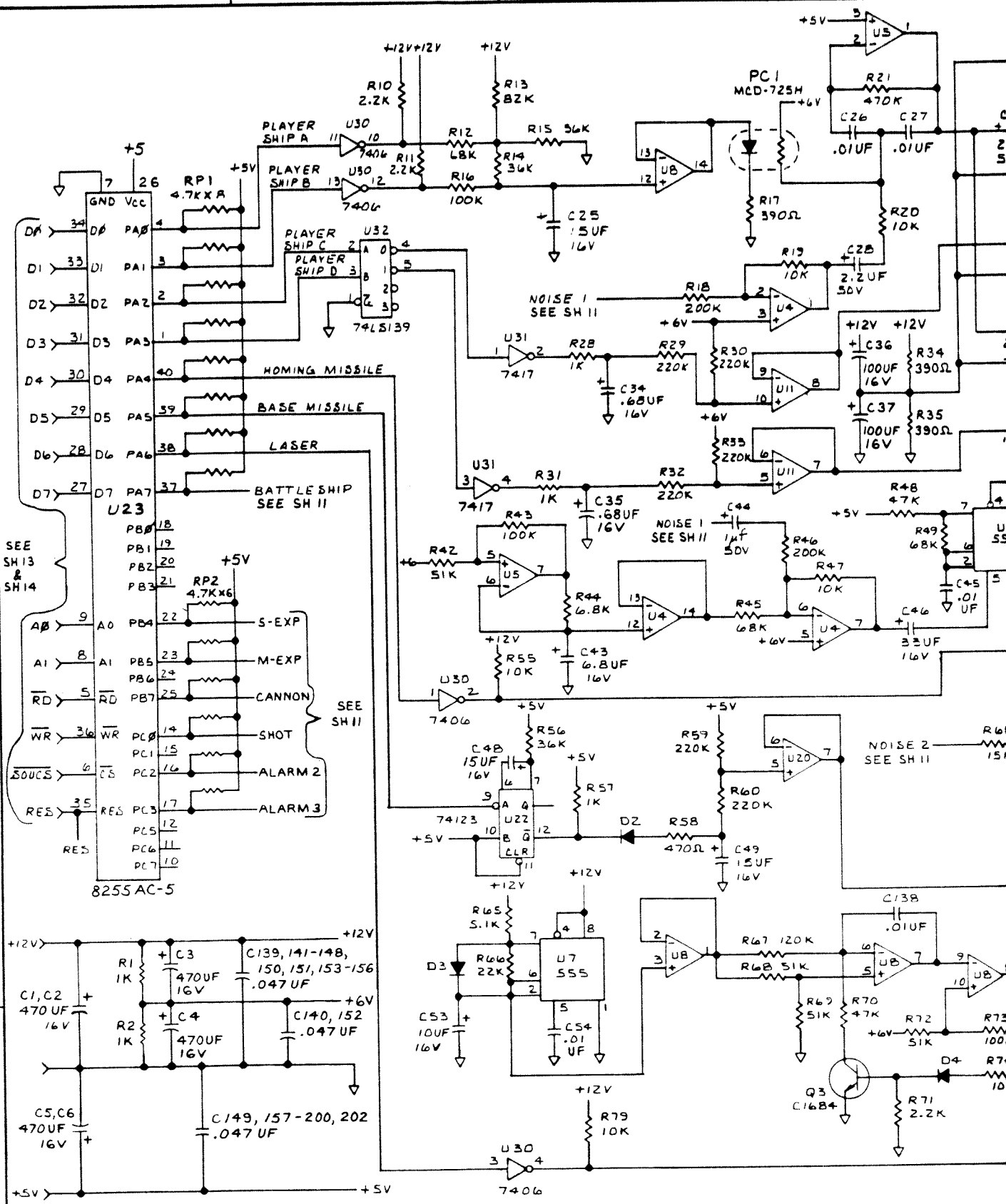
QTY	CODE	PART OR	NOMENCLATURE	ITEM
REQD	IDENT	IDENTIFYING NO.	OR DESCRIPTION	NO.
PARTS LIST				
UNLESS OTHERWISE SPECIFIED DIMENSIONS ARE IN INCHES TOLERANCES ARE:				
FRACTIONS	DECIMALS	ANGLES		
±	.XX ±	±		
±	.XXX ±	±		
MATERIAL		CONTRACT NO.		
FINISH		APPROVALS		
NEXT ASSY		DATE		
USED ON		DRAWN		
APPLICATION		CHECKED		
		MECH		
		ELEC		
		MFG		
		PROJECT		
		BALLY/MIDWAY MFG.CO.		
		MO51-00B83-A010		
		IC Board A		
		A084-91771-AB83		
SIZE	CODE IDENT NO.	DRAWING NO.	REV	
D		834-0214	A	
SCALE NONE		SHEET 11 OF 16		

D

C

B

A



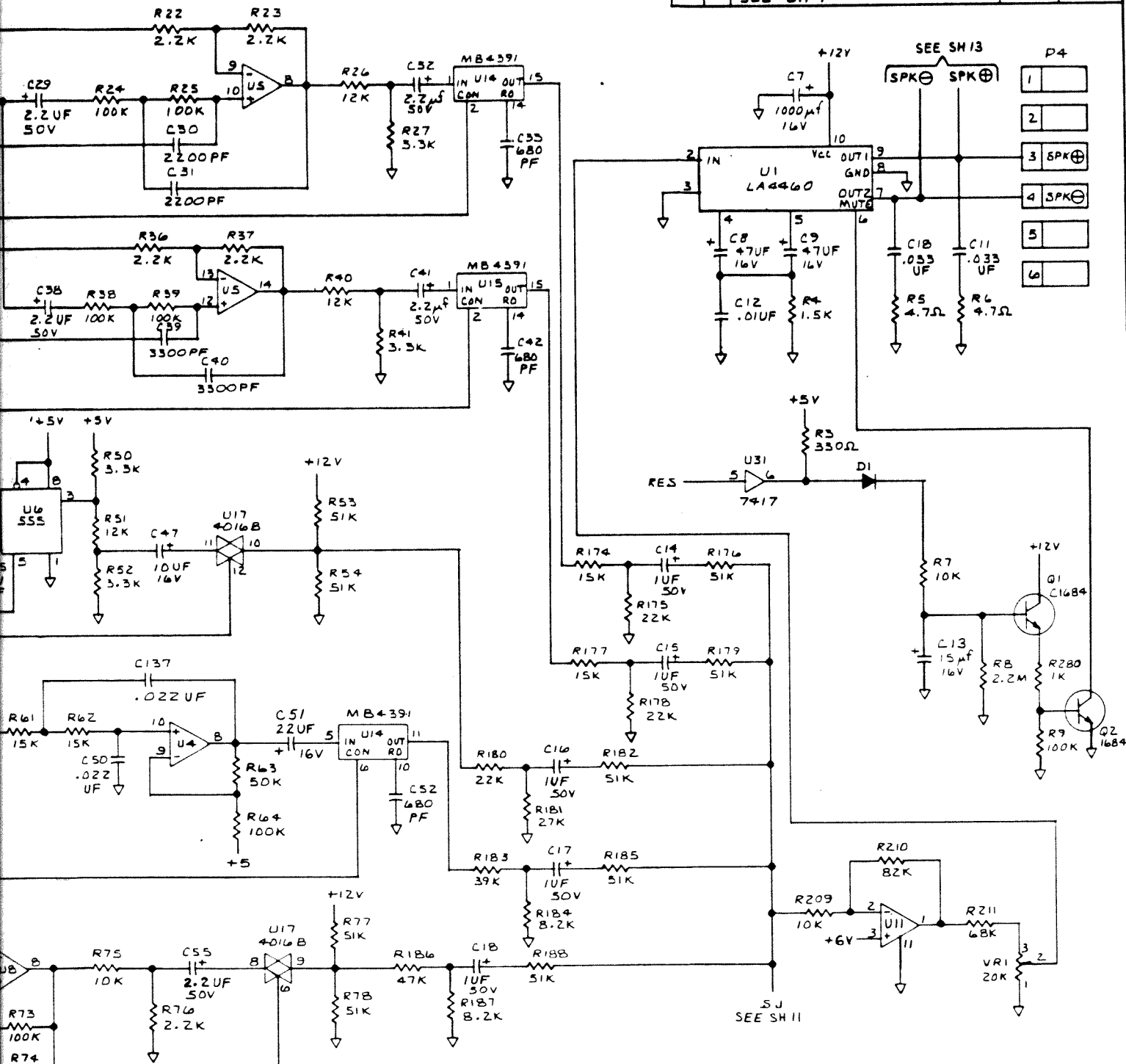
8

7

6

5

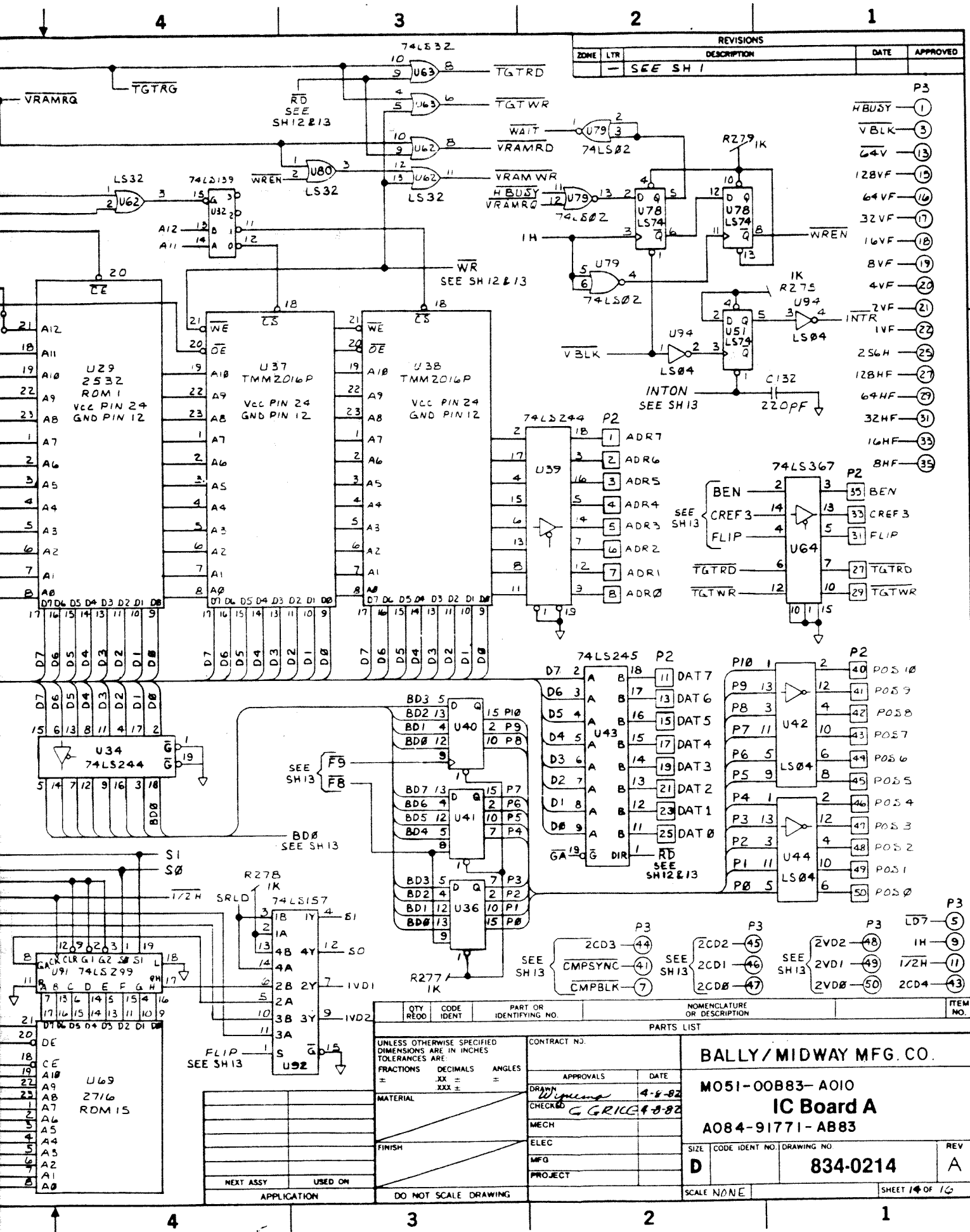
REVISIONS			DATE	APPROVED
ZONE	LTR	DESCRIPTION		
-	SEE SH 1			



D
C
B
A
834-0214

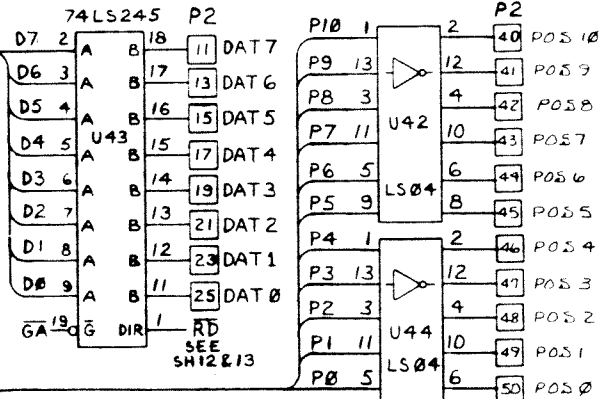
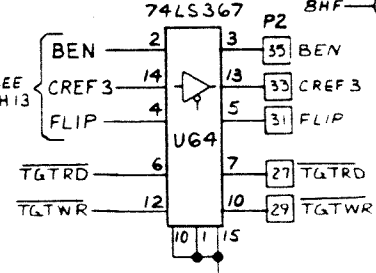
QTY REQD	CODE IDENT	PART OR IDENTIFYING NO.	NOMENCLATURE OR DESCRIPTION	ITEM NO.
PARTS LIST				
UNLESS OTHERWISE SPECIFIED DIMENSIONS ARE IN INCHES TOLERANCES ARE:			CONTRACT NO.	
±	XX ±	XXX ±	APPROVALS	DATE
			DRAWN	4-8-82
			CHECKED	1-5-82
			MECH	
			ELEC	
			MFG	
			PROJECT	
NEXT ASSY			USED ON	
APPLICATION			DO NOT SCALE DRAWING	
			BALLY/MIDWAY MFG. CO.	
			M051-00B83- A010	
			IC Board A	
			A084-91771-AB83	
			SIZE	CODE IDENT NO
			D	834-0214
			DRAWING NO	REV
				A
			SCALE	NONE
			SHEET 12 OF 16	

A
4
3
2
1
5



REVISIONS				
ZONE	LTR	DESCRIPTION	DATE	APPROVED
-	SEE SH 1			

- P3
- HBUSY (1)
- VBLK (3)
- 24V (13)
- 128VF (15)
- 64VF (16)
- 32VF (17)
- 16VF (18)
- 8VF (19)
- 4VF (20)
- 2VF (21)
- 1VF (22)
- 256H (25)
- 128HF (27)
- 64HF (29)
- 32HF (31)
- 16HF (33)
- 8HF (35)



- P3
- 2CD3 (44)
- CMPSYNC (41)
- CMPBLK (7)
- P3
- 2CD2 (45)
- 2CD1 (46)
- 2CD0 (47)
- P3
- 2VD2 (48)
- 2VD1 (49)
- 2VD0 (50)
- LD7 (5)
- IH (9)
- 1/2H (11)
- 2CD4 (43)

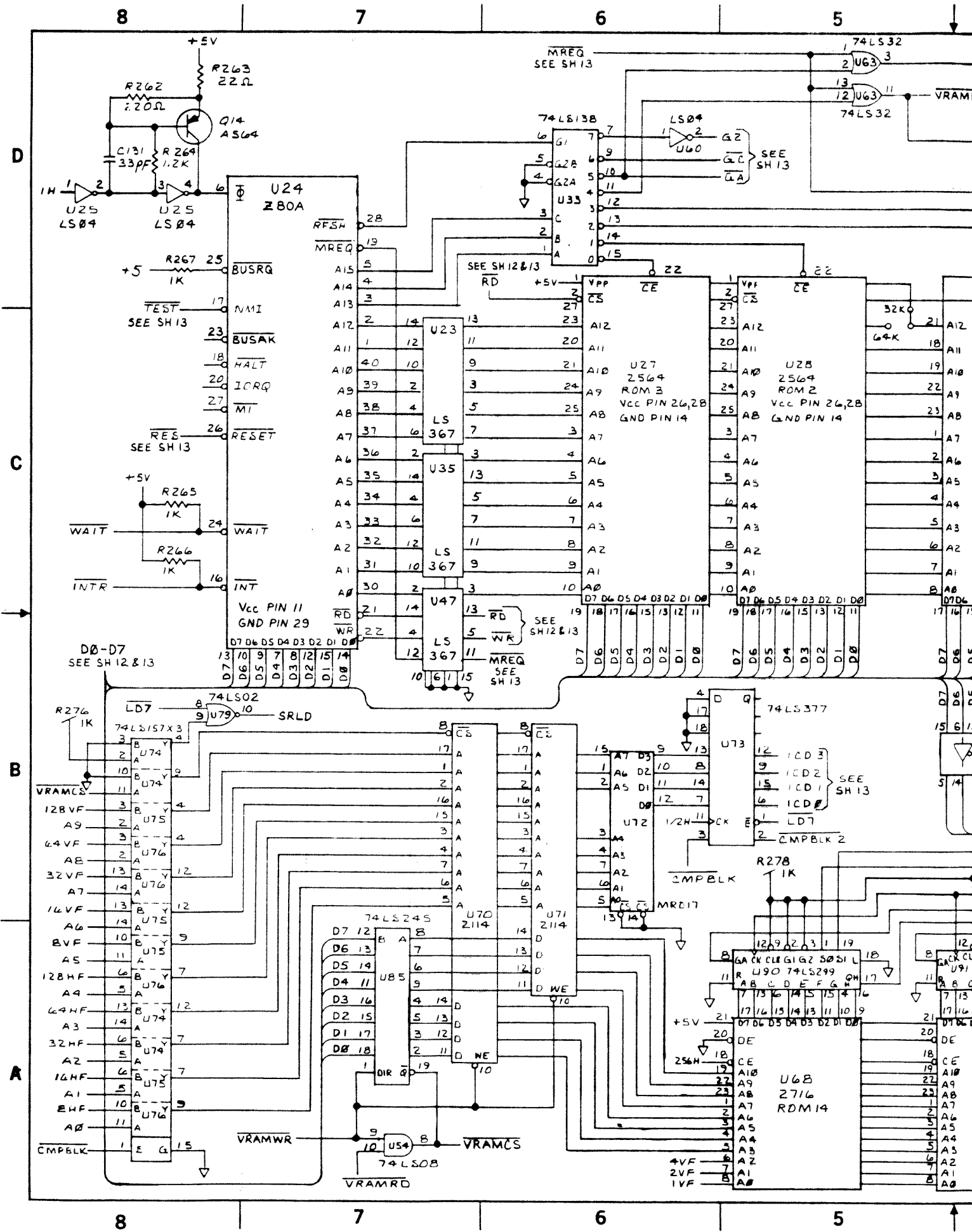
QTY	REQ	CODE	PART OR IDENTIFYING NO.	NOMENCLATURE OR DESCRIPTION	ITEM NO.

UNLESS OTHERWISE SPECIFIED DIMENSIONS ARE IN INCHES TOLERANCES ARE:		CONTRACT NO.	
FRACTIONS	DECIMALS	ANGLES	DATE
=	.XX	=	4-8-82
	.XXX		
MATERIAL		APPROVALS	DATE
		DRW: <i>W. J. ...</i>	4-8-82
		CHECKED: <i>G. GRICE</i>	4-8-82
FINISH		MECH	
		ELEC	
NEXT ASSY USED ON		MFG	
APPLICATION		PROJECT	
DO NOT SCALE DRAWING		PARTS LIST	

BALLY/MIDWAY MFG. CO.
M051-00B83- A010
IC Board A
A084-91771- AB83

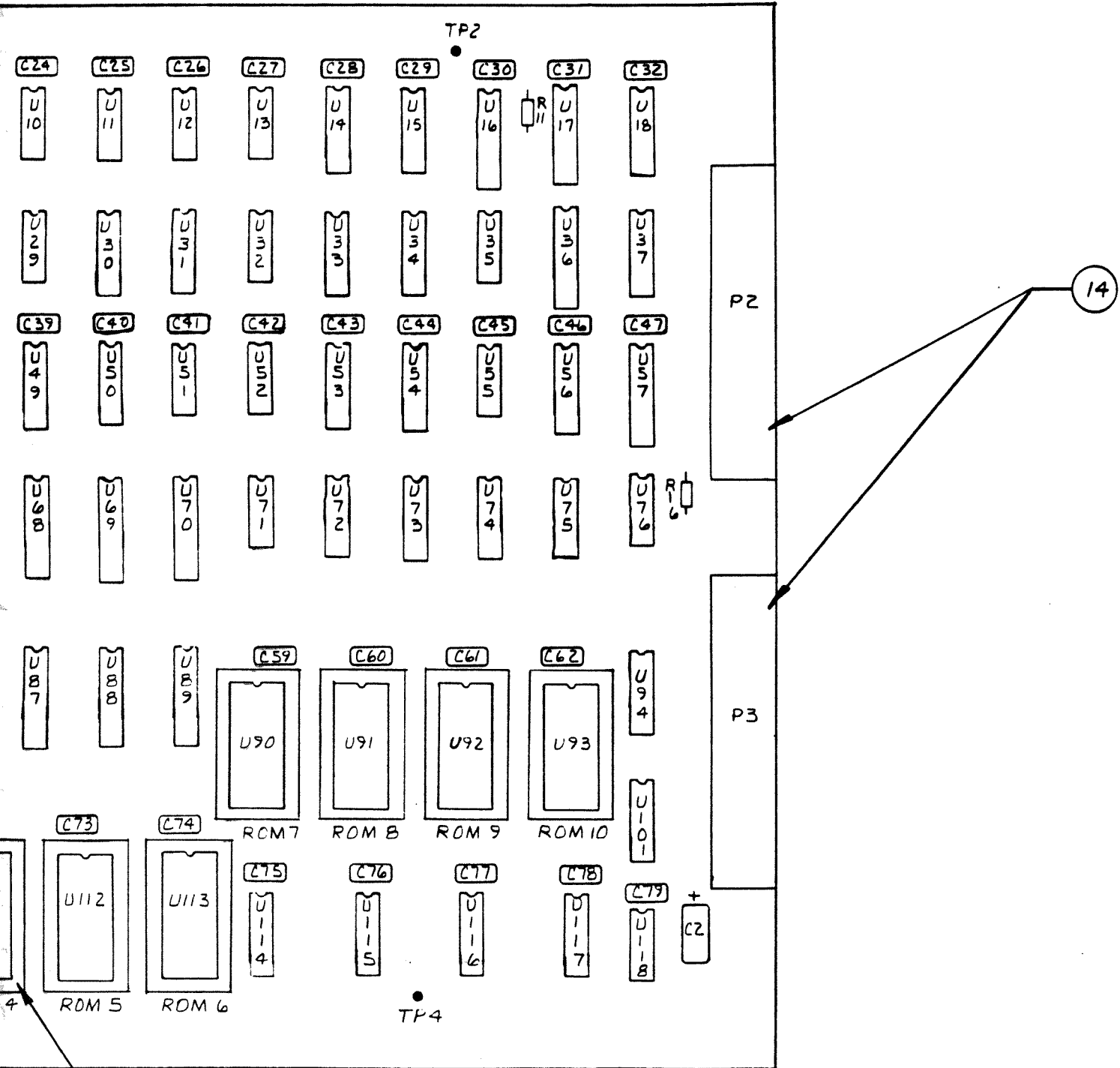
SIZE	CODE IDENT NO.	DRAWING NO.	REV
D		834-0214	A
SCALE NONE			SHEET 14 OF 16

D
C
B
A
834-0214



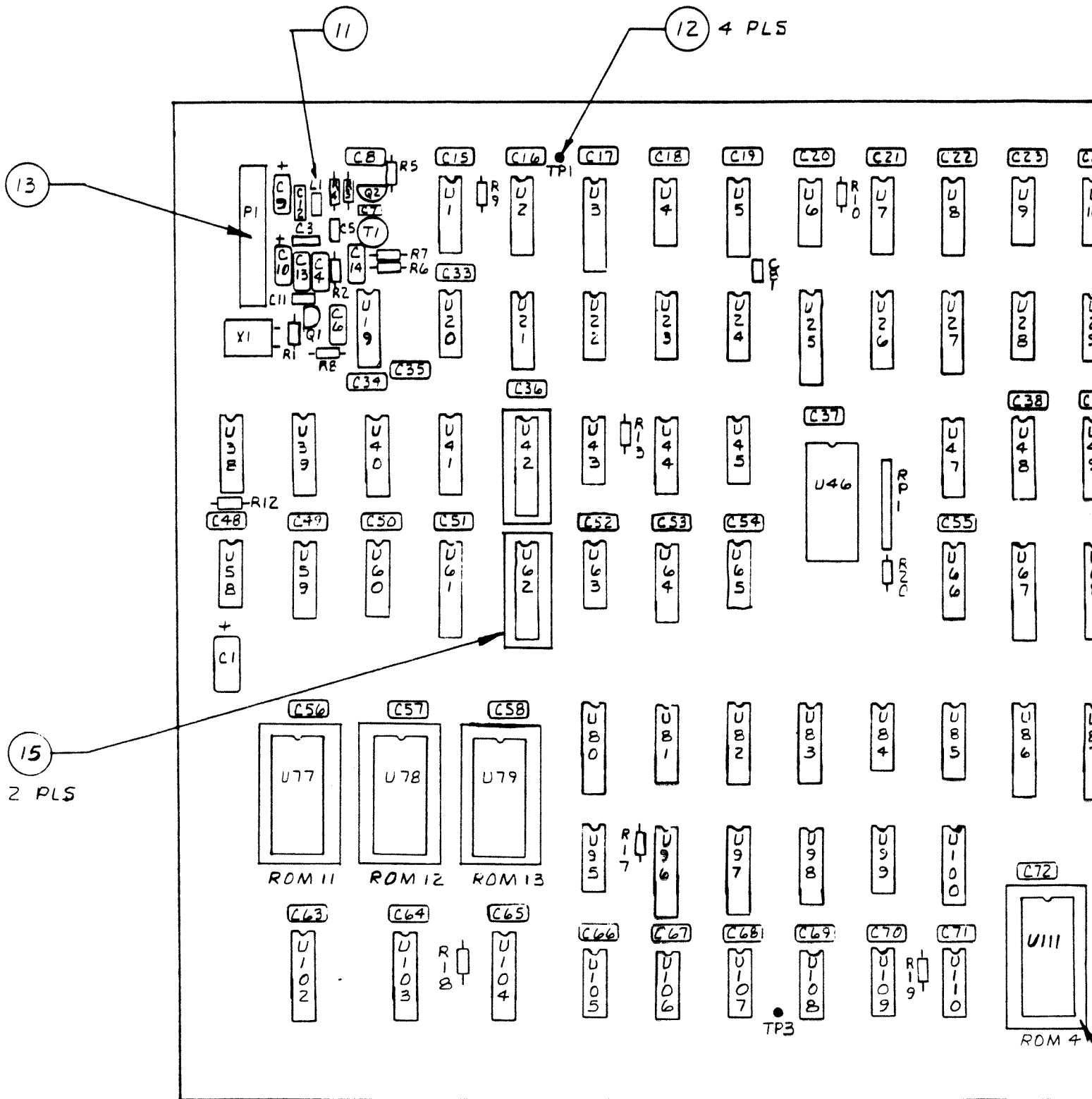
Assembly IC Board B

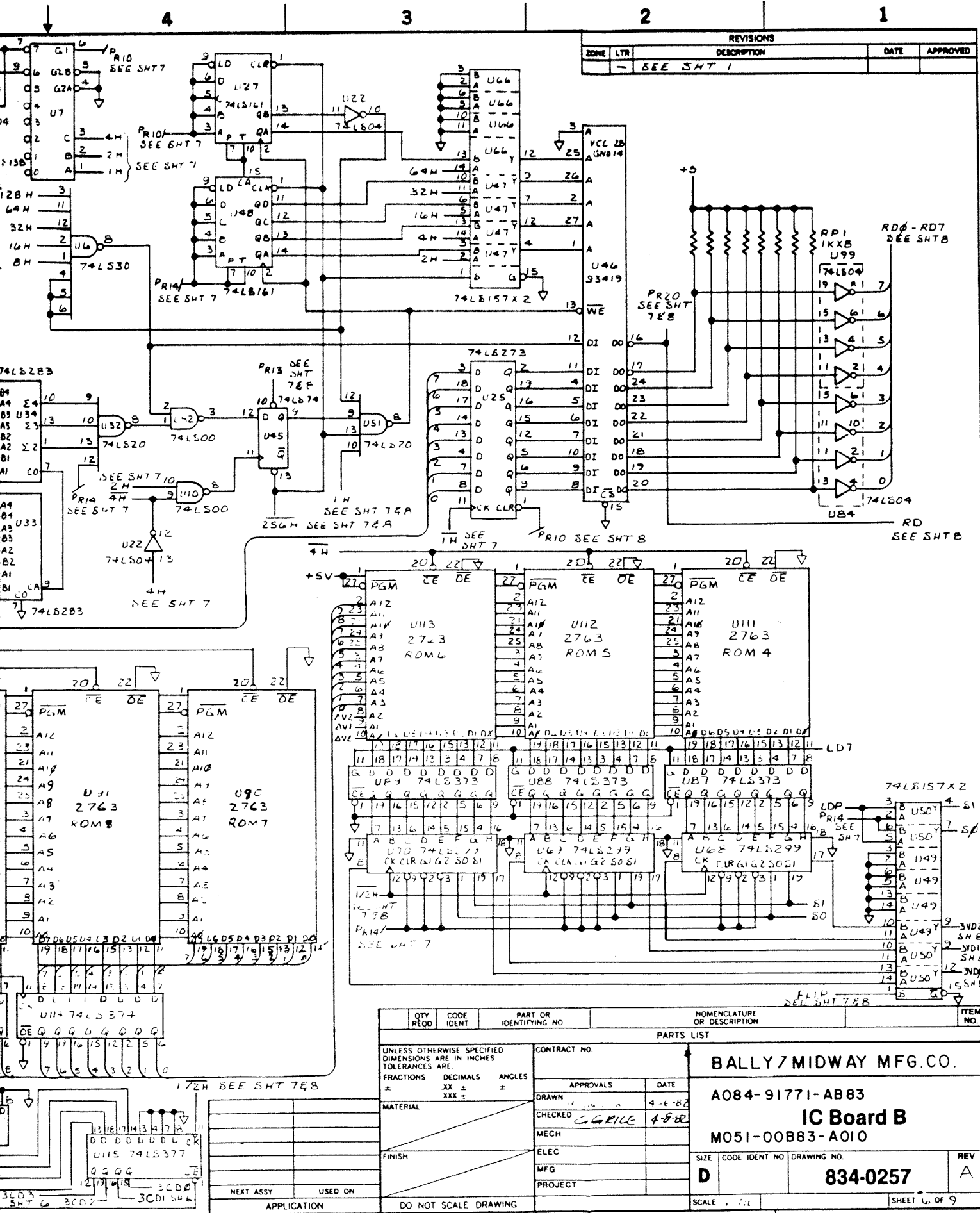
834-0257



BALLY/MIDWAY MFG. CO.

M051-00883-A009
A084-91771-AB83





REVISIONS				
ZONE	LTR	DESCRIPTION	DATE	APPROVED
-	-	SEE SHT 1		

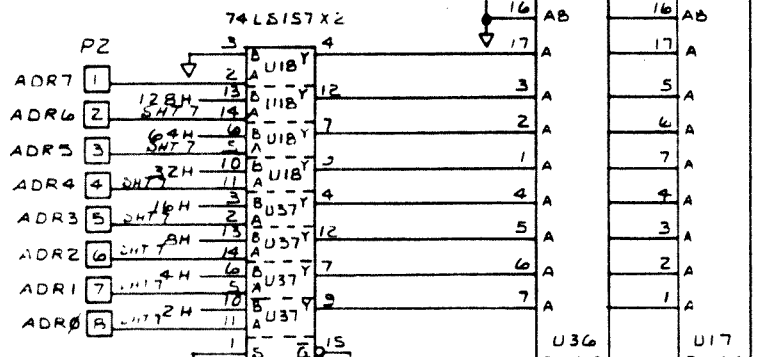
D
C
B
A

A

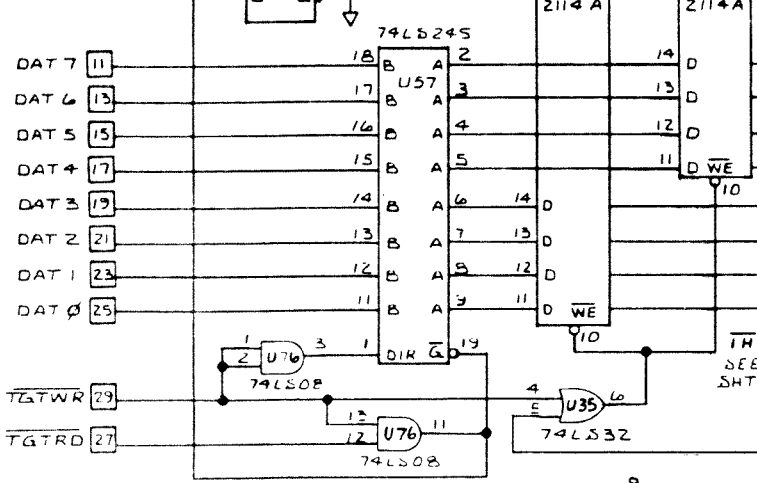
QTY	CODE	PART OR IDENTIFYING NO.	NOMENCLATURE OR DESCRIPTION	ITEM NO.
PARTS LIST				

UNLESS OTHERWISE SPECIFIED DIMENSIONS ARE IN INCHES TOLERANCES ARE:		CONTRACT NO.	
FRACTIONS ±	DECIMALS ±	BALLY 7 MIDWAY MFG. CO.	
ANGLES ±	XXX ±	A084-91771-AB83	
MATERIAL		APPROVALS	DATE
FINISH		DRAWN	4-6-82
NEXT ASSY		CHECKED	4-8-82
USED ON		MECH	
APPLICATION		ELEC	
DO NOT SCALE DRAWING		MFG	
		PROJECT	
		SIZE CODE IDENT NO. DRAWING NO.	
		D 834-0257	
		REV A	
		SCALE 1:1	
		SHEET 6 OF 9	

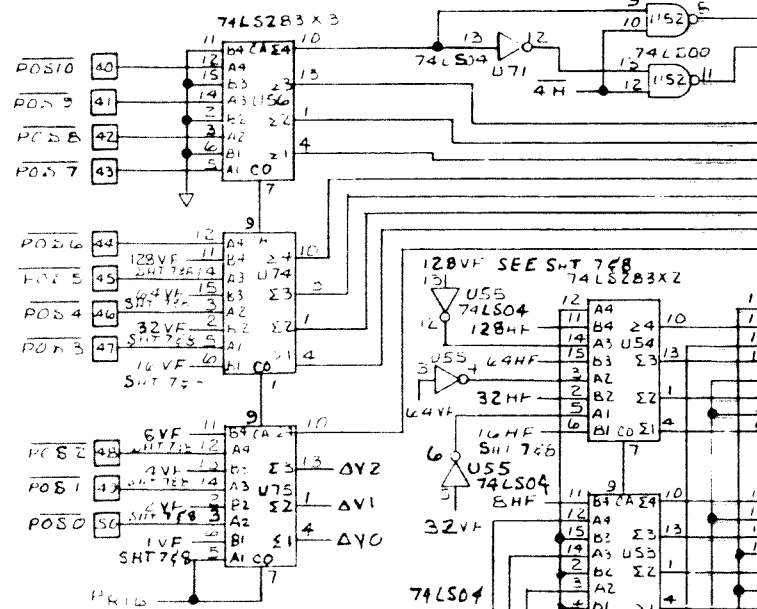
D



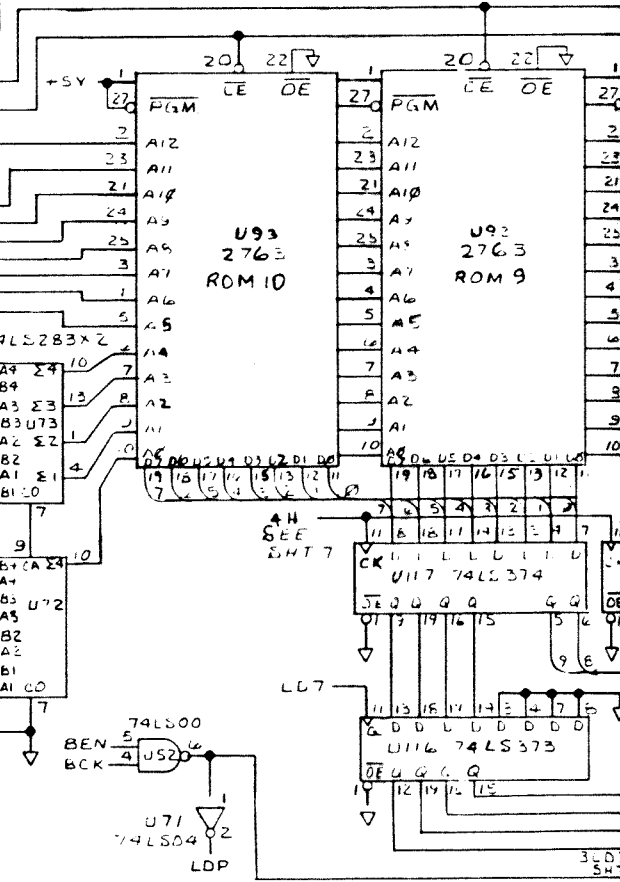
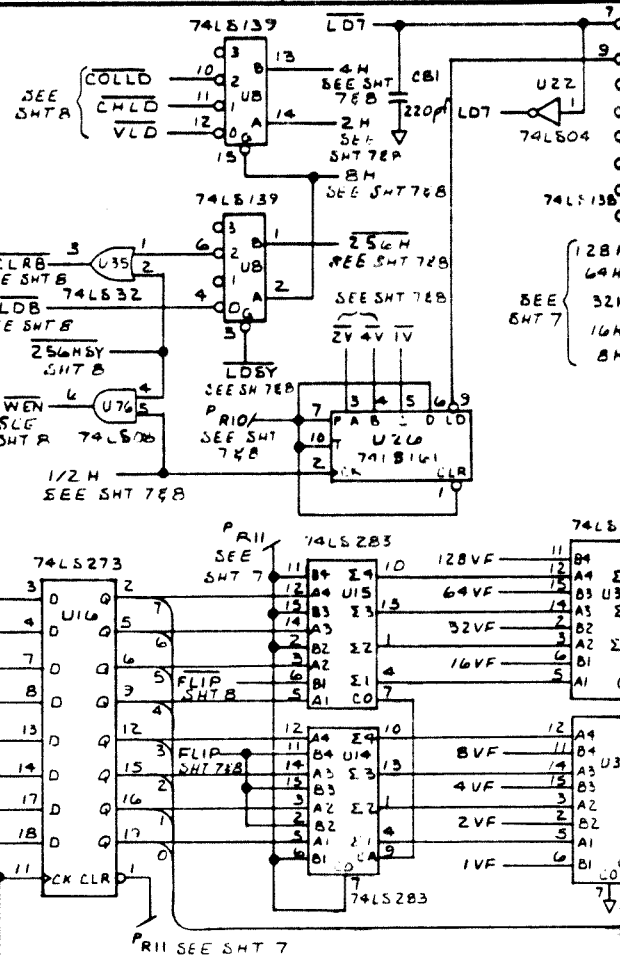
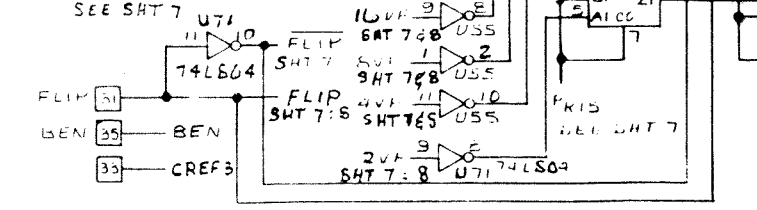
C

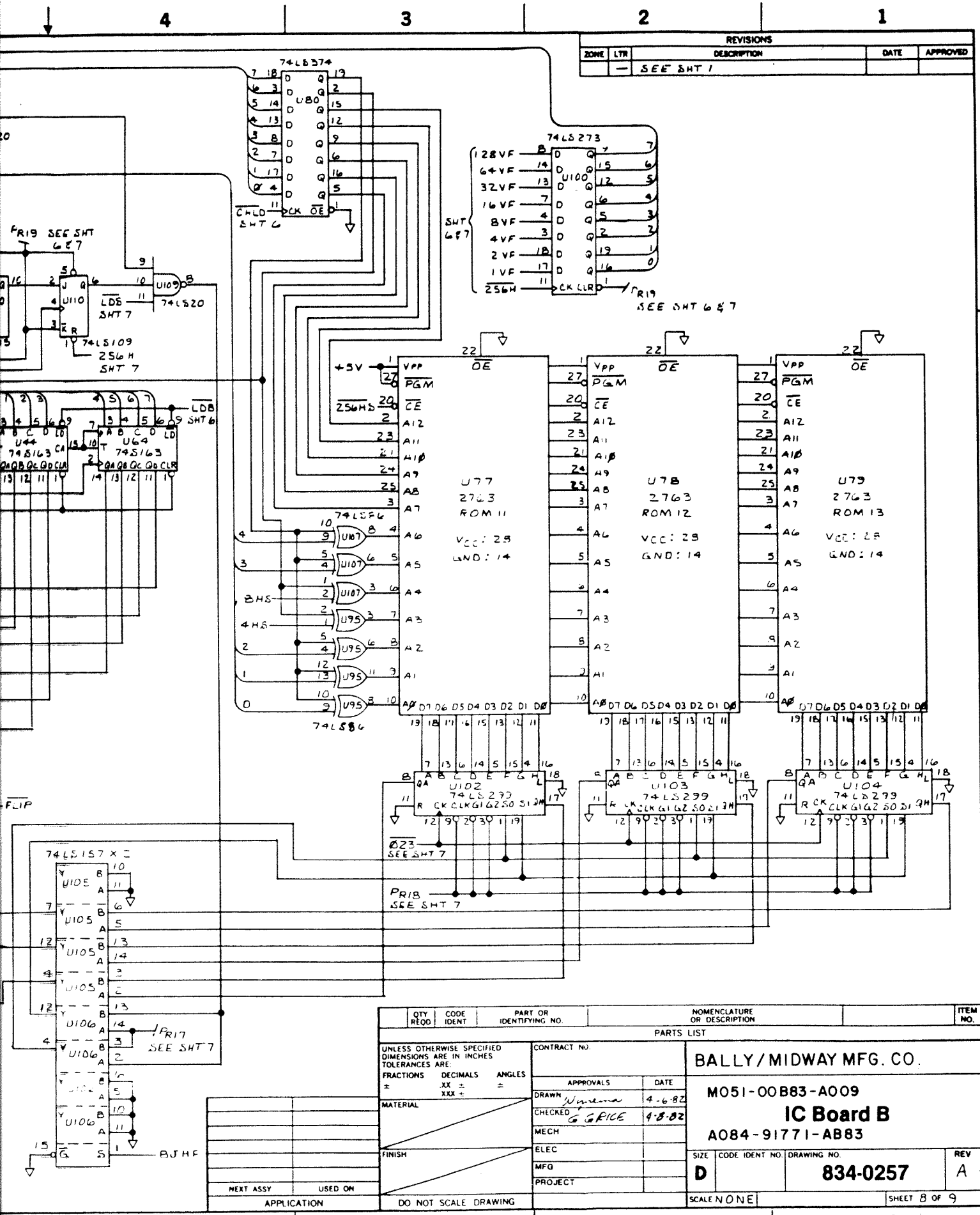


B



A





REVISIONS				
ZONE	LTR	DESCRIPTION	DATE	APPROVED
-	SEE SHT 1			

QTY REQD	CODE IDENT	PART OR IDENTIFYING NO.	NOMENCLATURE OR DESCRIPTION	ITEM NO.
PARTS LIST				
UNLESS OTHERWISE SPECIFIED DIMENSIONS ARE IN INCHES TOLERANCES ARE:		CONTRACT NO.	BALLY/MIDWAY MFG. CO.	
FRACTIONS	DECIMALS	APPROVALS		
±	XX ±	DRAWN <i>W. W. W.</i>	4-6-82	
	XXX ±	CHECKED <i>G. PRICE</i>	4-8-82	
MATERIAL		MECH	M051-00B83-A009 IC Board B A084-91771-AB83	
FINISH		ELEC		
		MFG	SIZE	CODE IDENT NO.
		PROJECT	D	834-0257
NEXT ASSY	USED ON		DRAWING NO.	REV
				A
APPLICATION	DO NOT SCALE DRAWING	SCALE	SHEET 8 OF 9	
		NONE		

D
C
B
A
834-0257 A

D

C

B

A

