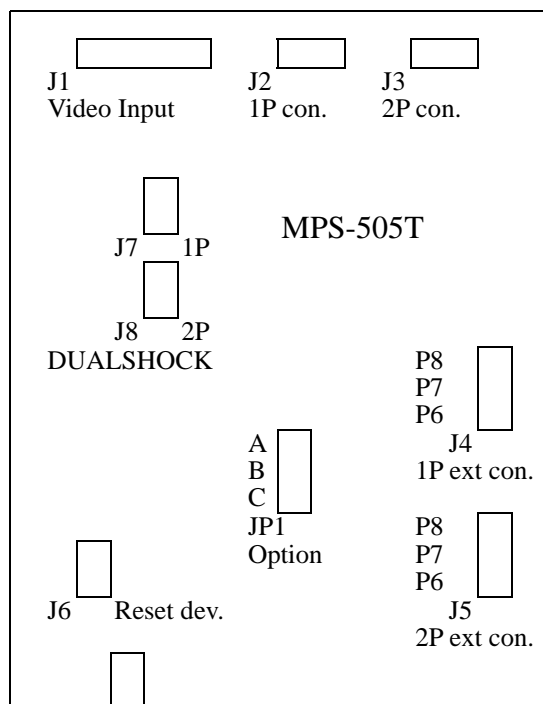


Time Master (MPS-505T) is designed for connecting Playstation 2 console directly with arcade Jamma cabinet and operating by time mode.



- J1 Video Input This connector is video input port from PS2 video output
- J2, J3 Joystick Output This connector is joystick controller output port from PS2.
- J4, J5 External 1P/2P Input The connector is for Push6, Push7 and Push8 signals.
- J6 Reset Connector If you use this device then you can auto power on PS2 console.
- J7, J8 Controller S ports You can use controller S to play with PS2
- JP1 Option setting jumper Power off and place jumper JP1 on A-B position, then Power on to enter OPTION menu and change the settings. After settings, remove jumper JP1 from A-B back to B-C position and restart the machine.

To enter OPTION menu: Set jumper JP1 to (A-B) position then power on to bring up the menu. Adjust all of settings in the menu. After settings, remove jumper JP1 back to (B-C) position and power on to start.

OPTION FUNCTION	
TIME LIMIT	Range: 1 to 99 minutes To set play time for one coin.
FREE PLAY	Range: 1 to 99 seconds Allow joystick to setup the game when power on.
DEMO MUSIC	YES / NO
TIME MODE-X	MODE-1 / MODE -2 Mode-1: add time for increment coin. Mode-2: to set time value for time up.
CD-ROM PLAYER MODE	1-PLAYER / 2-PLAYER IF you set Time Mode-2 then this item will appear for you to select 1 or 2 players. Set 1 player: one coin for 1P only, set 2 players: on coin for 1P and 2P.
INSERT-COIN DEVICE	L : one coin device / L+R : two coins device You can set one coin device or two coin devices for Time Mode-1.
CD-ROM	NTSC / PAL The machine system and CD format are for NTSC or PAL.
JOYSTICK MODE	Digital / Analog / Digital + Analog When set to digital mode then button is working for digital action. If set to analog mode then button is working for analog action. The both function set then button auto to do for game. You can according to game require to set best mode to play.
TIME OVER AUTO RESET FOR HDD	YES / NO When you set to YES then machine will auto power on to re-start for game time up.
ACCOUNT	Credit checking

- MODIFY : START\_1P / START\_2P Press 1P/2P START to modify
- SELECT : LEFT / RIGHT Left or Right of joystick to select
- DEFAULT : PUSH1-1P Default value (or clear record):  
press 1P push1

### Install Reset device /Electric conductor (PRST- 001)

To stick RESET device (electric conductor) on center bottom position of PS2, the shaft of electric conductor must aim RESET button center and stick tape on RESET button to fix shaft of electric conductor. Connect the other end to JP6.



### JAMMA Standard Slot Pin Assignments

Solder Side		Component Side	
GND	1	1	GND
GND	2	2	GND
+5V	3	3	+5V
+5V	4	4	+5V
	5	5	
+12V	6	6	+12V
	7	7	
	8	8	Count
	9	9	
GND	10	10	Speak
GND	11	11	Audio
Green	12	12	Red
Sync	13	13	Blue
	14	14	GND
2P-Back	15	15	1P-Back
2P-Coin	16	16	1P-Coin
2P-Start	17	17	1P-Start
2P-Up	18	18	1P-Up
2P-Down	19	19	1P-Down
2P-Left	20	20	1P-Left
2P-Right	21	21	1P-Right
2Push 1 [A]	22	22	1Push 1 (A)
2Push 2 [B]	23	23	1Push 2 (B)
2Push 3 [X]	24	24	1Push 3 (X)
2Push 4 [Y]	25	25	1Push 4 (Y)
2Push 5 [White]	26	26	1Push 5 (White)
GND	27	27	GND
GND	28	28	GND
<b>Bottom Side</b>		<b>Top Side</b>	

## MPS-505T

### TIME MASTER (Playstation 2)

Adjust settings on screen, simple and operator-friendly

Apply to NTSC and PAL systems

Bookkeeping function

Support analog and digital PS2 controller

Support two coin mechs

Support reset device to power onPS2 console

Support DUALSHOCK Controller