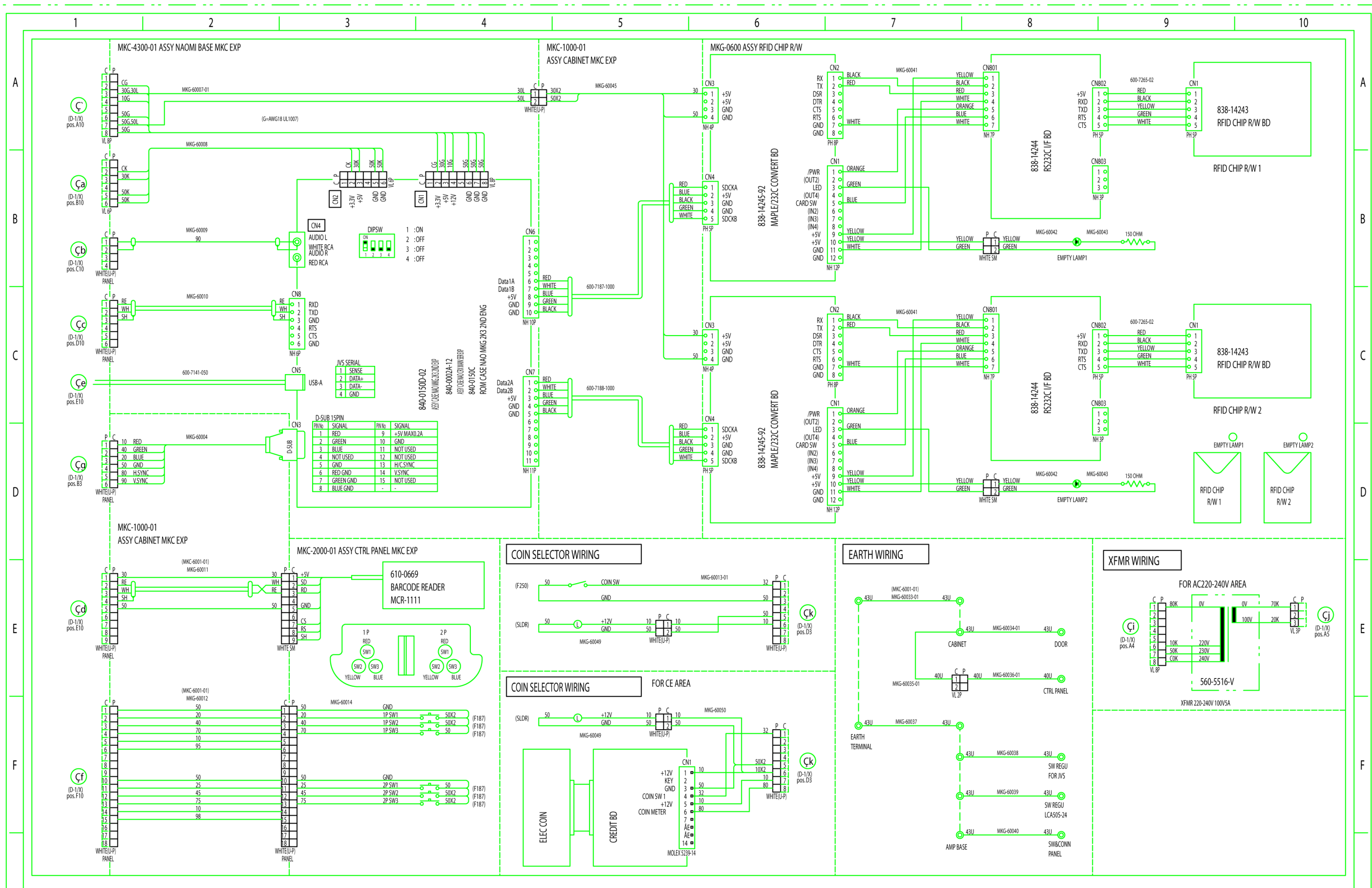


ALTERATION		WIRE COLOR		AWG SIZE		SUB ASSY		DESCRIPTION		DIAGRAM No.	
5	WHITE	B	SKY BLUE	G	AWG18 UL1007			TOP ASSY MKC EXP CABI OEM		DC-0093-UK(1/X)	
4	GREEN	A	PINK	U	AWG16 UL1015						
3	YELLOW	9	GRAY	K	AWG18 UL1015						
2	BLUE	8	BLACK	L	AWG20 UL1007						
1	RED	7	ORANGE		AWG22 UL1007						

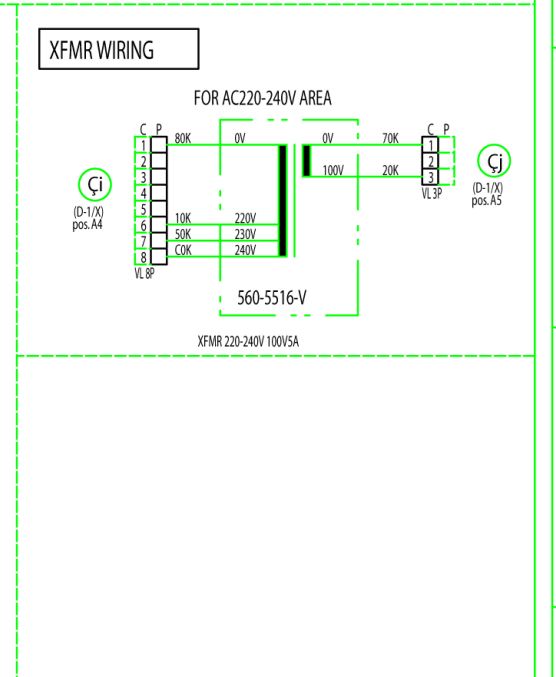
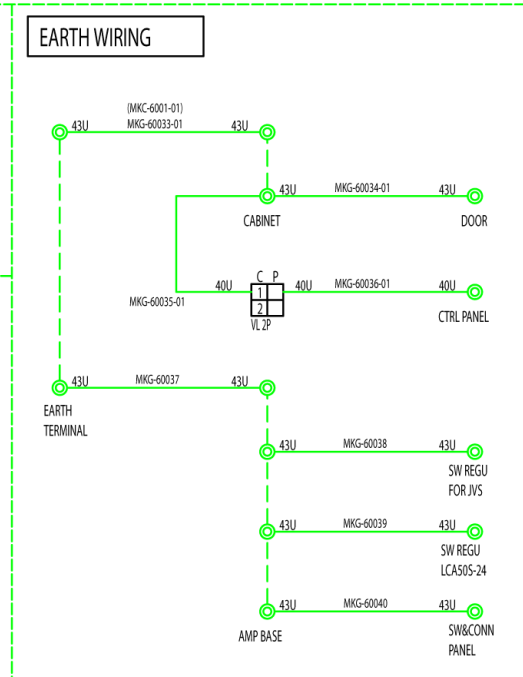
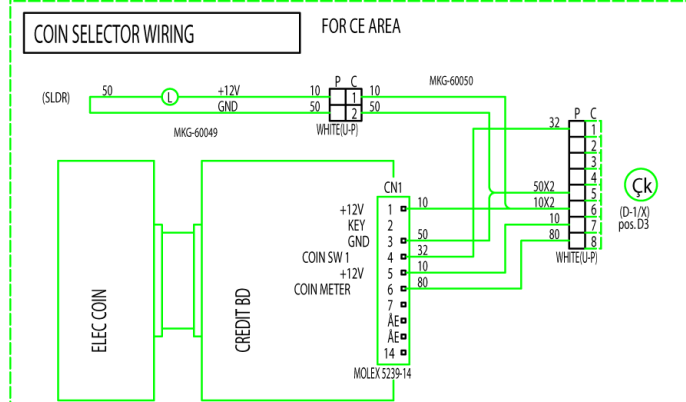
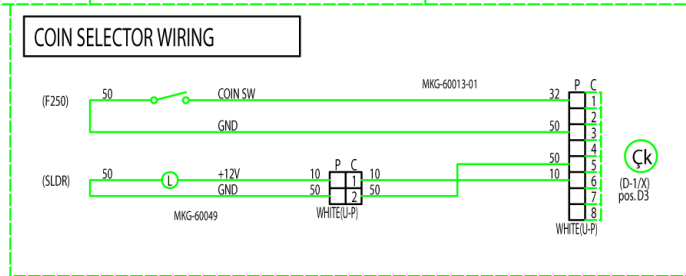
27/Aug/04  
Y Sato

REV



(D-1X) pos.A10  
 (D-1X) pos.B10  
 (D-1X) pos.C10  
 (D-1X) pos.D10  
 (D-1X) pos.E10  
 (D-1X) pos.B3  
 (D-1X) pos.E10  
 (D-1X) pos.D3  
 (D-1X) pos.A4  
 (D-1X) pos.F10

(D-1X) pos.E10  
 (D-1X) pos.F10



5	WHITE	B	SKY BLUE	U	AWG16 UL1015	SUB ASSY MKC-0000-01	27/Aug/04 Y Sato	2/	3/	4/	5/	6/	7/	8/	9/	10/	REV
4	GREEN	A	PINK	K	AWG18 UL1015												
3	YELLOW	9	GRAY	E	LIGHT GREEN												
2	BLUE	8	BLACK	D	PURPLE												
1	RED	7	ORANGE	C	BROWN	L	AWG20 UL1007	L	AWG22 UL1007	TOP ASSY		TOP ASSY		TOP ASSY		TOP ASSY	

ALTERATION

WIRE COLOR

AWG SIZE

DESCRIPTION

DC-0093-UK(2/2)

DIAGRAM No.

TOP ASSY MKC EXP CABI OEM

DC-0093-UK(2/2)

