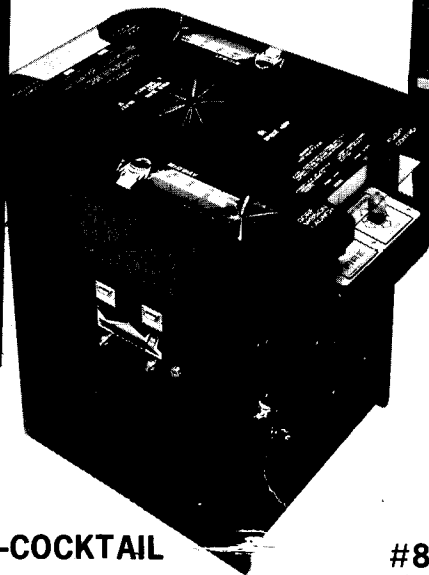


GAME NOS. 873, 926 & 927
FEBRUARY, 1981

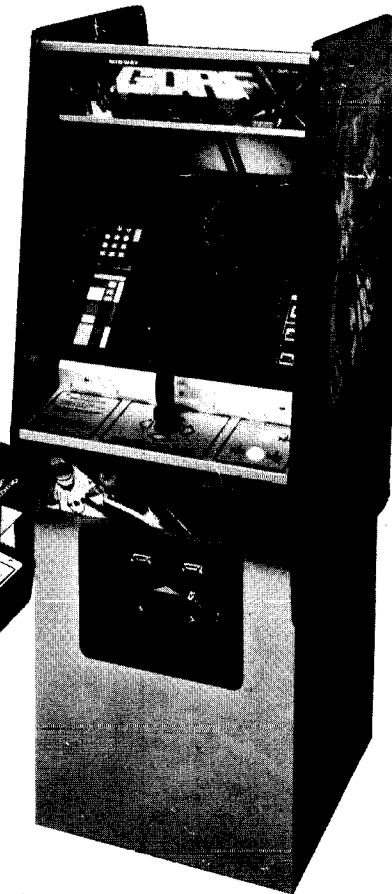
MIDWAY'S **FOUR** PARTS AND OPERATING MANUAL



#926-MINI



#927-COCKTAIL



#873-UPRIGHT



MIDWAY MFG. CO.

A BALLY COMPANY

10750 WEST GRAND AVENUE
FRANKLIN PARK, ILLINOIS 60131
U.S.A.

PHONE: (312) 451-1360 CABLE ADDRESS: MIDCO TELEX NO.: 72-1596

FORM NO. 0873-00300-0000

TABLE OF CONTENTS

	Page
GENERAL INSTRUCTIONS - UPRIGHT	2
GENERAL INSTRUCTIONS - MINI	3
CONTROL ADJUSTMENT PROCEDURE - UPRIGHT & MINI	4
GENERAL INSTRUCTIONS - COCKTAIL	5
SWITCH ADJUSTMENTS	6
TEST DISPLAY	7
NO. 873—GORF UPRIGHT - PHOTOGRAPH	8—10
INTERIOR ACCESS PICTURE - UPRIGHT	12—14
NO. 926—GORF MINI - PHOTOGRAPH	16—17
INTERIOR ACCESS PICTURE - MINI	18—19
PUSH BUTTON ASSEMBLY - UPRIGHT & MINI	20—21
CONTROL GRIP ASSEMBLY - UPRIGHT & MINI	22—23
NO. 927—GORF COCKTAIL - PHOTOGRAPH	24—25
INTERIOR ACCESS PICTURE - COCKTAIL	26—27
CONTROL SHELF ASSEMBLY - COCKTAIL	28—29
CONTROL ASSEMBLY - COCKTAIL	30—31
PUSH BUTTON ASSEMBLY - COCKTAIL	32—33
DOUBLE ENTRY COIN DOOR ASSEMBLY	34—35
COMMERCIAL CARD RACK ASSEMBLY	36—37
TRANSFORMER BOARD ASSEMBLY	38—39
WIRING DIAGRAM - UPRIGHT	41
WIRING DIAGRAM - MINI	42
WIRING DIAGRAM - COCKTAIL	43
POWER SUPPLY BOARD - COMPONENT LAYOUT	44
POWER SUPPLY BOARD - SCHEMATIC	45
DRIVER BOARD - COMPONENT LAYOUT	46
DRIVER BOARD - SCHEMATIC	47
R-G-B INTERFACE BOARD - COMPONENT LAYOUT	48
R-G-B INTERFACE BOARD - SCHEMATIC	49

WARNING

**THIS GAME MUST BE GROUNDED. FAILURE TO DO SO MAY
RESULT IN DESTRUCTION TO ELECTRONIC COMPONENTS.**

COPYRIGHT 1981 ©BY MIDWAY MFG. CO. ALL RIGHTS RESERVED.

NO PART OF THIS PUBLICATION MAY BE REPRODUCED BY ANY MECHANICAL, PHOTOGRAPHIC, OR ELECTRONIC PROCESS, OR IN THE FORM OF A PHONOGRAPHIC RECORDING, NOR MAY IT BE TRANSMITTED, OR OTHERWISE COPIED FOR PUBLIC OR PRIVATE USE, WITHOUT PERMISSION FROM THE PUBLISHER.

FOR PERMISSION REQUESTS, WRITE: MIDWAY MFG. CO., 10750 W. GRAND AVE., FRANKLIN PARK, IL 60131

TABLE OF CONTENTS

	Page
CONTROL GRIP BOARD - COMPONENT LAYOUT	50
CONTROL GRIP BOARD - SCHEMATIC	51
DISPLAY BOARD - COMPONENT LAYOUT	52
DISPLAY BOARD - SCHEMATIC	53
AUDIO AMPLIFIER BOARD - COMPONENT LAYOUT	54
AUDIO AMPLIFIER BOARD - SCHEMATIC	55
RAM BOARD - COMPONENT LAYOUT	56
RAM BOARD - SCHEMATIC	57
CPU BOARD - COMPONENT LAYOUT	58
CPU BOARD - SCHEMATIC	59
PATTERN TRANSFER BOARD - COMPONENT LAYOUT	60
PATTERN TRANSFER BOARD - SCHEMATIC	61
ROM/RAM BOARD (DOMESTIC) - COMPONENT LAYOUT	62
ROM/RAM BOARD (DOMESTIC) - SCHEMATIC	63
ROM/RAM BOARD (FOREIGN) - COMPONENT LAYOUT	64
ROM/RAM BOARD (FOREIGN) - SCHEMATIC	65
GAME LOGIC BOARD - COMPONENT LAYOUT	66
GAME LOGIC BOARD - SCHEMATIC	67
19" MONITOR SCHEMATIC—WELLS GARDNER UPRIGHT & COCKTAIL	68
REPLACEMENT PARTS LIST	69—70
19" MONITOR SCHEMATIC - ELECTROHOME UPRIGHT & COCKTAIL	71
REPLACEMENT PARTS LIST	72—75
13" MONITOR SCHEMATIC - ELECTROHOME - MINI	76
REPLACEMENT PARTS LIST	77—80
MONITOR ADJUSTMENTS—WELLS GARDNER	81—82
MONITOR ADJUSTMENTS - ELECTROHOME	83—85
PRINTED CIRCUIT BOARD CHIP NUMBERS & FUNCTION	86—87
STRAPPING CHART	88

WARNING: This equipment Generates, Uses and can Radiate Radio Frequency Energy and if not installed and used in accordance with the Instructions Manual, may cause interference to Radio Communications. As temporarily permitted by Regulation it has not been tested for compliance to Subpart J or Part 15 of FCC Rules, which are designed to provide reasonable protection against such interference. Operation of this equipment in a Residential Area is likely to cause interference in which case the user at his own expense will be required to take whatever measures may be required to correct the interference.

GENERAL INSTRUCTIONS FOR GORF UPRIGHT

INSTALLATION

1. Remove shipping cleats located on bottom of cabinet.
2. Install four (4) provided leg levelers to bottom of cabinet and level cabinet.
3. The power is controlled by a switch located on the top of the cabinet. Plug into A.C. only, 115 volts, 60 cycles.

LINE VOLTAGE SAFETY SWITCH

A line voltage safety switch has been provided for your protection. It is located on the right rear side of the cabinet. When the back door is removed, it opens the circuit to the line voltage. To restore power (when servicing) pull switch fully out.

VOLTAGE CONTROL POTS

Located on power supply board (P.C. A082-90411-A000) and are preset at the factory. These pots should not be tampered with unless the distributor service department is contacted.

TO SERVICE CONTROL PANEL

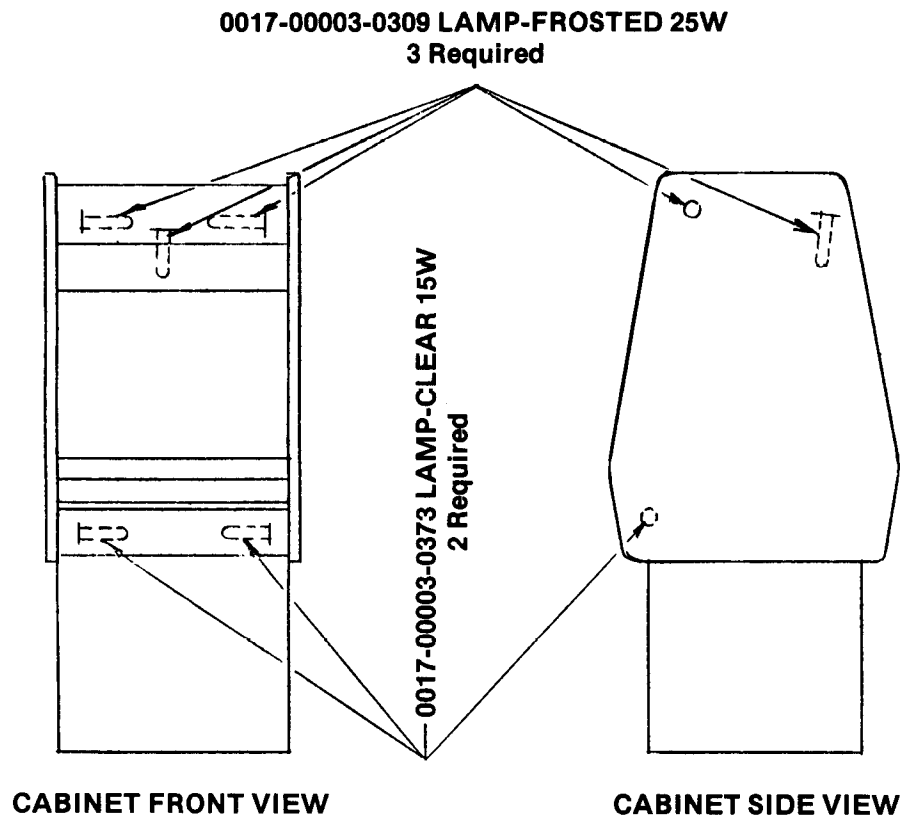
1. Open coin box door.
2. Release two (2) clamps located above coin door opening.
3. Disconnect control cable jack before removing.

VOLUME CONTROL

Located on audio amplifier P.C. board controls the volume of all sounds and may be varied as desired by rotating pot control.

The audio amplifier board is located inside the front door for easy access.

M051-00873-A003



0873 GORF UPRIGHT LAMP LOCATION DRAWING

GENERAL INSTRUCTIONS FOR GORF MINI

INSTALLATION

1. Remove shipping cleats located on bottom of cabinet.
2. Install four (4) provided leg levelers to bottom of cabinet and level cabinet.
3. The power is controlled by a switch located on the back of the cabinet. Plug into A.C. only, 115 volts, 60 cycles.

LINE VOLTAGE SAFETY SWITCH

A line voltage safety switch has been provided for your protection. It is located on the right rear side of the cabinet. When the back door is removed, it opens the circuit to the line voltage. To restore power (when servicing) pull switch fully out.

VOLTAGE CONTROL POTS

Located on power supply board (P.C. A082-90411-A000) and are preset at the factory. These pots should not be tampered with unless the distributor service department is contacted.

TO SERVICE CONTROL PANEL

1. Open coin box door.
2. Release two (2) clamps located below control panel on each side of cabinet.
3. Disconnect control cable jack before removing.

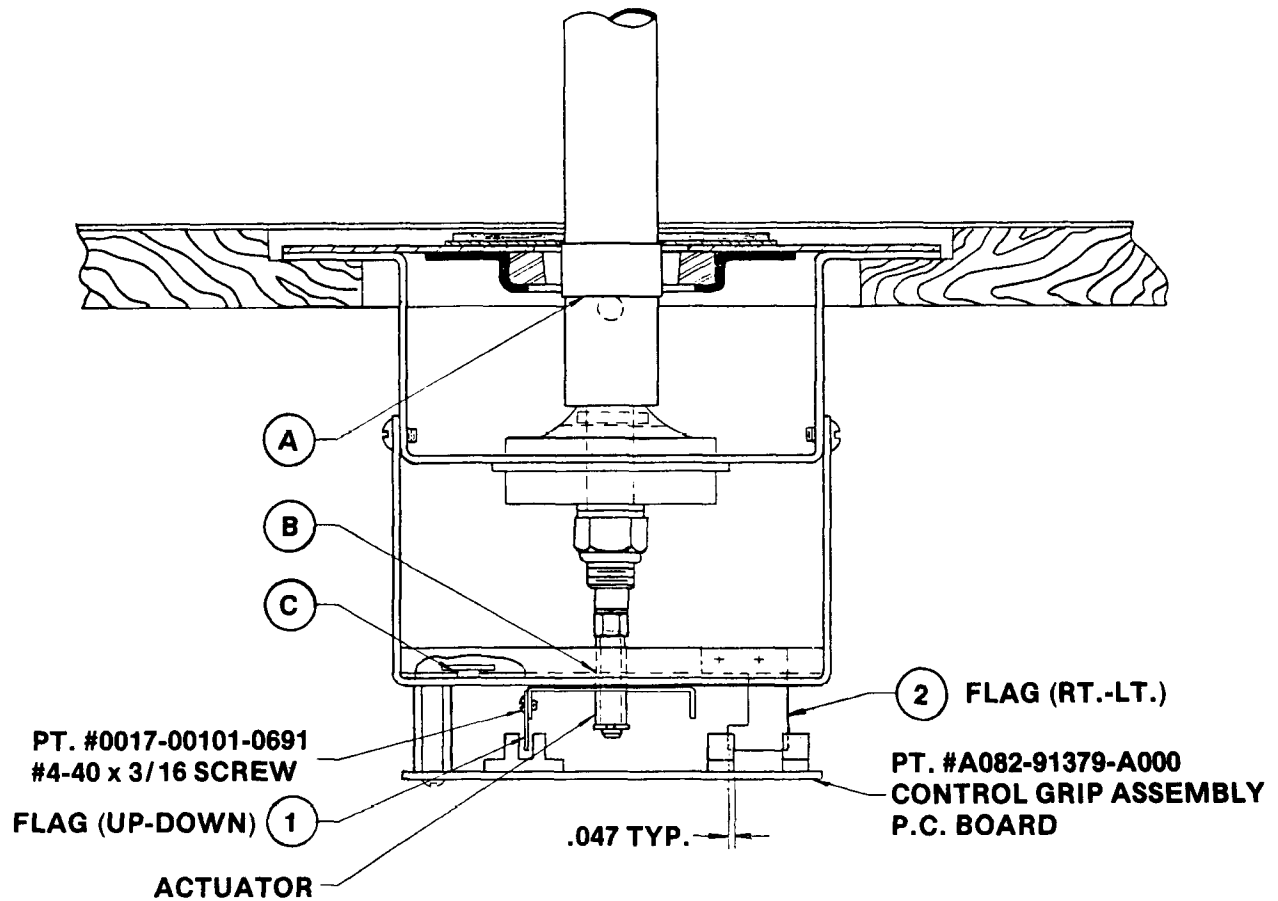
VOLUME CONTROL

Located on audio amplifier P.C. Board controls the volume of all sounds and may be varied as desired by rotating pot control.

The audio amplifier board is located inside the front door for easy access.

M051-00926-A003

CONTROL ADJUSTMENT PROCEDURE UPRIGHT & MINI



NOTES:

1. ITEMS 1 AND 2 TO BE ADJUSTED WITH A GAGE SO THE SIDES ARE INSIDE THE SENSOR APPROX. .047 ON EACH SIDE OF SENSOR (AS SHOWN) WHEN ACTUATOR IS IN ITS FREE POSITION.
2. LUBRICATE AT POINT A, B, C, WITH GREASE MIDWAY PT. #0017-00008-0087.

GENERAL INSTRUCTIONS FOR GORF COCKTAIL TABLE

INSTALLATION

1. Remove shipping cleats located on bottom of cabinet.
2. Install four (4) provided leg levelers to bottom of cabinet and level cabinet.
3. The power is controlled by a switch located on the bottom of the cabinet below the first player. Plug into A.C. only, 115 volts, 60 cycles.

LINE VOLTAGE SAFETY SWITCH

A line voltage safety switch has been provided for your protection. It is located in the cabinet on the left side of the coin door. When the coin door is opened, the circuit to the line voltage is interrupted. To restore power (when servicing) pull switch fully out.

VOLTAGE CONTROL POTS

Located on power supply board (P.C. A082-90411-A000) and are preset at the factory. These pots should not be tampered with unless the Distributor Service Department is contacted.

TO SERVICE CONTROL PANEL

1. Open coin box door.
2. Release two (2) clamps located above coin door opening.
3. Disconnect control cable jack before removing.

VOLUME CONTROL

Located on audio amplifier P.C. board controls the volume of all sounds and may be varied as desired by rotating pot control.

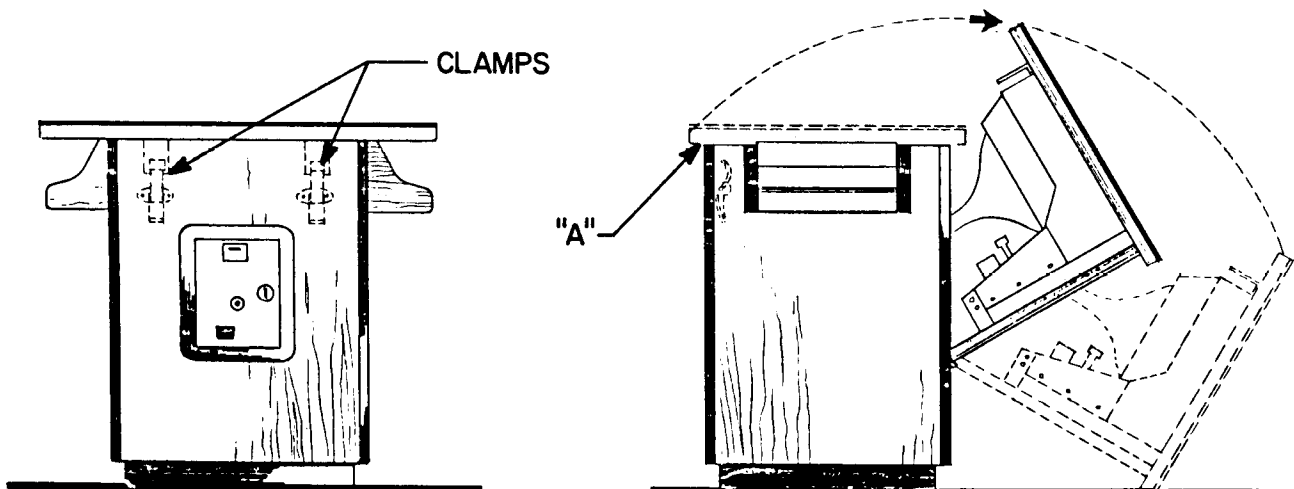
The audio amplifier board is located inside the front door for easy access.

M051-00927-A003

TO SERVICE MONITOR, GAME BOARD AND TRANSFORMER ASSY.

1. Open coin box door and release two (2) clamps indicated on sketch below.
2. Grasp monitor mounting panel at "A" and open as indicated in sketch below.

Caution: Due to the weight of the monitor extreme care must be exercised when opening cabinet for service.



LEFT COIN SLOT AND BASE ADJUSTMENT SWITCHES

Switch 1

OFF

1 Coin, 1 Player
2 Coins, 1 Player
2 Coins, 2 Players
4 Coins, 2 Players

ON

2 Coins, 1 Player
4 Coins, 1 Player
4 Coins, 2 Players
8 Coins, 2 Players

Switch 5

OFF

2 Bases
4 Bases
2 Bases each
4 Bases each

2 Bases

4 Bases
2 Bases each
4 Bases each

Switch 5

ON

3 Bases
6 Bases
3 Bases each
6 Bases each

3 Bases

6 Bases
3 Bases each
6 Bases each

RIGHT COIN SLOT AND BASE ADJUSTMENT SWITCHES

Switch 2

OFF

ON

Switch 3

OFF

1 Coin, 1 Player
2 Coins, 1 Player
2 Coins, 2 Players
4 Coins, 2 Players

OFF

2 Coins, 1 Player
4 Coins, 1 Player
4 Coins, 2 Players
8 Coins, 2 Players

Switch 5

OFF

2 Bases
4 Bases
2 Bases each
4 Bases each

2 Bases

4 Bases
2 Bases each
4 Bases each

Switch 5

ON

3 Bases
6 Bases
3 Bases each
6 Bases each

3 Bases

6 Bases
3 Bases each
6 Bases each

LANGUAGE OPTION SWITCH

Switch 4

OFF - English Language

ON - Foreign Language (requires A082-91374-A000)

BONUS BASE ADJUSTMENT SWITCH

Switch 6

OFF - Bonus Base awarded after Mission 5

ON - No Bonus Base awarded

COIN/FREE PLAY SWITCH

Switch 7

OFF - Coin Play

ON - Free Play (provided as service aid)

ATTRACTION SOUNDS OPTION SWITCH

Switch 8

OFF - Game attraction sound operate during game over

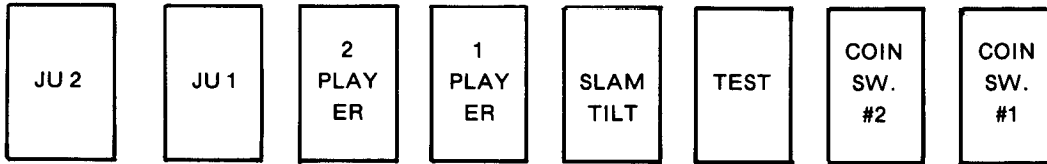
ON - Game attraction sounds do not operate during game over

ELECTRICAL BULLETIN: FOR ALL APPARATUS COVERED BY THE CANADIAN STANDARDS ASSOCIATION (CSA) STANDARD C22.2 NO. 1, WHICH EMPLOYS A SUPPLY CORD TERMINATED WITH A POLARIZED 2-PRONG ATTACHMENT PLUG.

CAUTION: TO PREVENT ELECTRIC SHOCK DO NOT USE THIS (POLARIZED) PLUG WITH AN EXTENSION CORD, RECEPTACLE OR OTHER OUTLET UNLESS THE BLADES CAN BE FULLY INSERTED TO PREVENT BLADE EXPOSURE.

ATTENTION: POUR PREVENIR CHOCS ELECTRIQUES NE PAS UTILISER CETTE FICHE POLARISEE AVEC UN PROLONGATEUR. UNE PRISE DE COURANT OU UNE AUTRE SORTIE DE COURANT, SAUF SI LES LAMES PEUVENT ETRE INSEREES A FOND SANS EN LAISSER AUCUNE PARTIE A DECOUVERT.

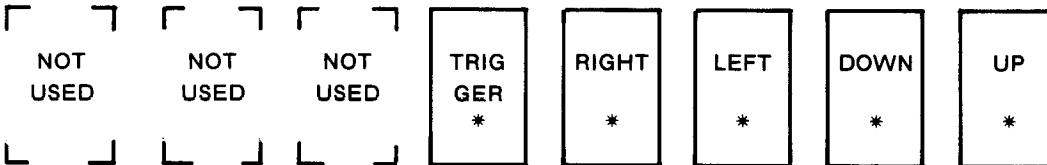
TEST DISPLAY FOR GORF



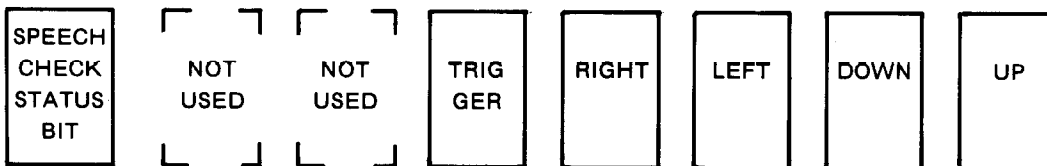
DISPLAY CAN
BE SEEN



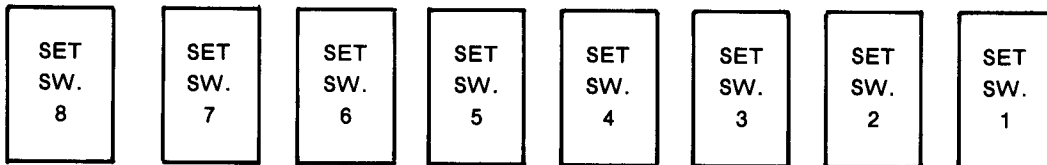
SW. OFF OR
JUMPED NOT
INSTALLED



DISPLAY CANNOT
BE SEEN



SW. ON OR
JUMPER INSTALLED



* ACTIVATED BY
2ND SET OF
PLAYER CONTROLS,
USED IN COCKTAIL
CABINET ONLY

A B C D E F G H



A LETTER APPEARING HERE INDICATES A BAD ROM/E PROM

Placing the test switch (located on the Audio amplifier assy. in the coin box area) to "on" performs the following functions:

1. Removes all accumulated credits.
2. Test the screen rams.
3. Test the static rams.
4. Test all switches.

If a screen ram is defective random bars will flash on screen.

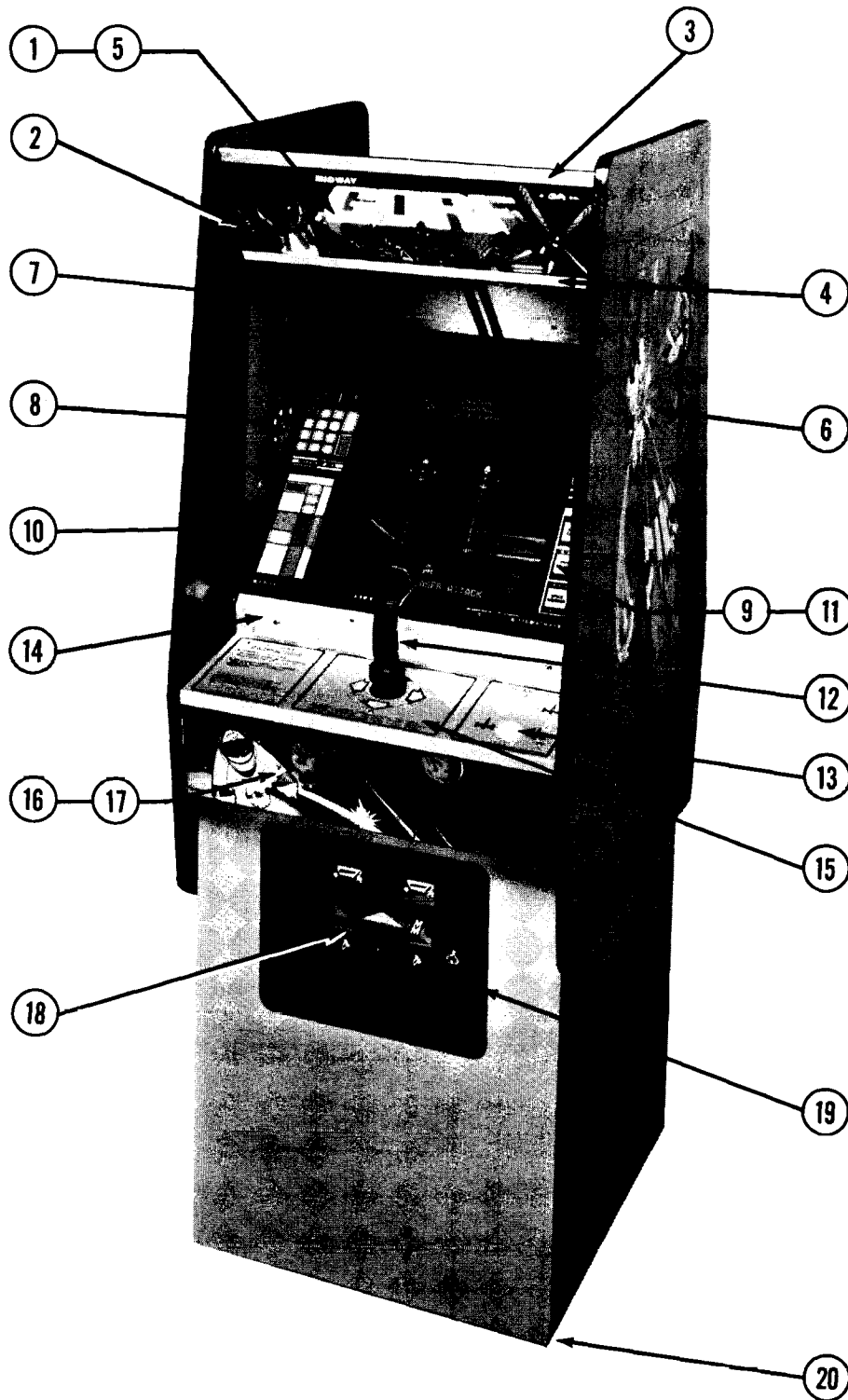
If a static ram is defective a random dotted pattern will flash on screen.

Dotted pattern will flash on the screen. If all rams are good the switch test pattern will appear on the screen.

All switches must be "off" to get the pattern shown above. When each switch is turned on the position of that switch will disappear.

Time delay between returning test switch to "off" and game over sequence is normal approx. 25 seconds.

NO. 873 — GOLF UPRIGHT — PHOTOGRAPH



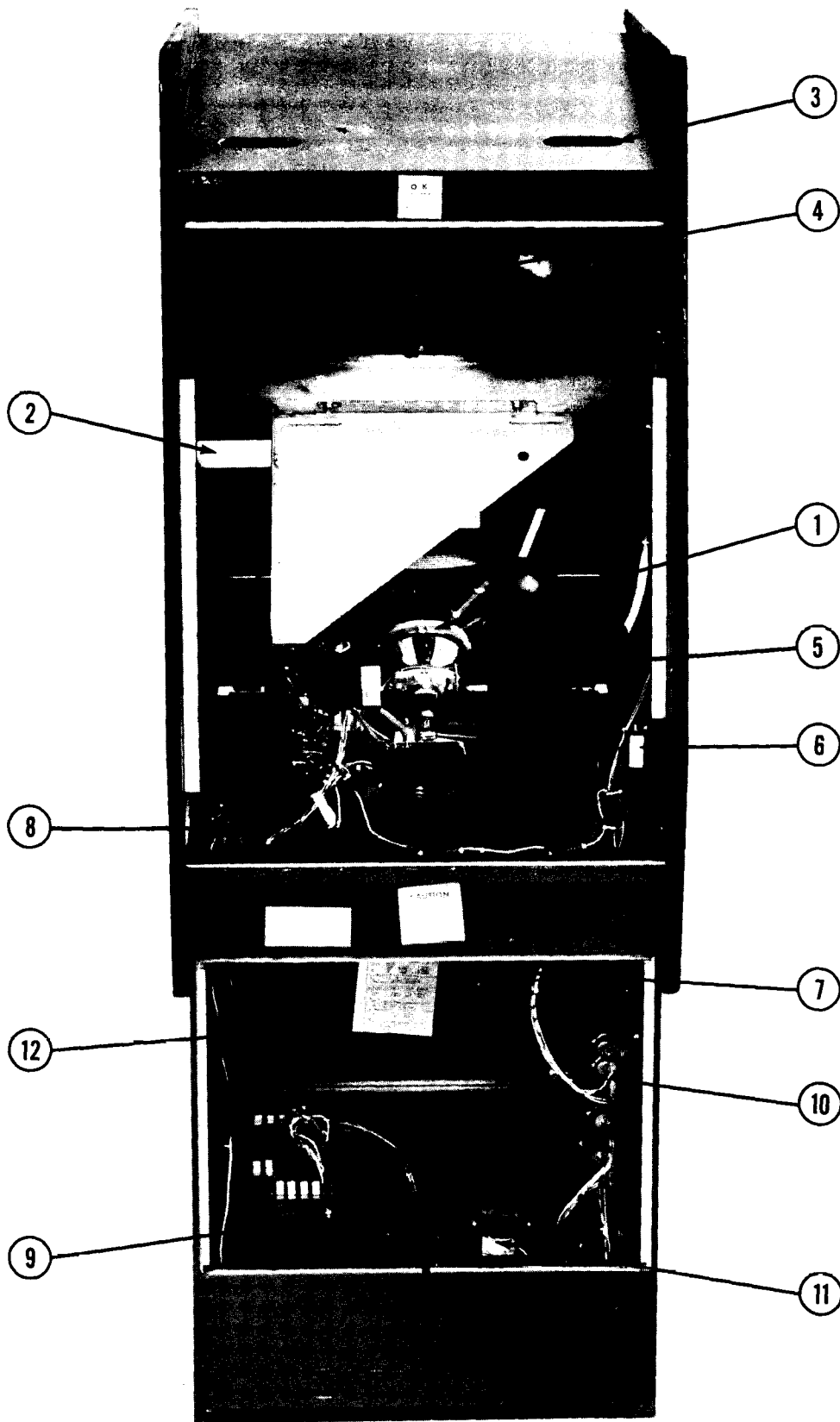
NO. 873 — GORF UPRIGHT — PHOTOGRAPH
ORDER BY PART NUMBER ONLY

ITEM	PART N ^o	DESCRIPTION
1	0873-00905-00XF	ACRYLIC HEADER - 22-3/8" x 7-7/16" x 3/16"
2	0537-00903-0048	GLASS CHANNEL - 7-1/2" LG. (2 REQ'D.)
3	0873-00107-00XF	TOP HEADER BRKT. - 22-13/16" LG.
4	0873-00105-00XF	BOTTOM HEADER BRKT. - 22-13/16" LG.
	0017-00101-0117	#8 x 5/8 PHIL. TRS. HD. S.M.S. (6 REQ'D.)
5	A873-00036-0000	TOP HEADER LIGHT ASSY.
	0873-00103-0000	LIGHT FIXTURE BRKT. (2 REQ'D.)
	0873-00912-0000	INSULATOR - FISHPAPER (2 REQ'D.)
	0017-00101-0626	#8-32 x 3/4 SLT. PAN HD. M.S. (4 REQ'D.)
	0017-00103-0061	#8-32 HEX NUT W/SEMS (4 REQ'D.)
	0017-00003-0135	LAMP SOCKET #138 (2 REQ'D.)
	0017-00003-0309	FROSTED LAMP 25W., 120V. (2 REQ'D.)
6	0873-00913-0000	DECAL (2 REQ'D.)
7	0873-00904-00XF	PLASTIC BACKGROUND SCENERY
	0873-00104-0000	REAR SCENERY BRKT. - 8-3/8" LG. (2 REQ'D.)
	0873-00101-00XF	GLASS BRKT. - 22-13/16" LG.
	0873-00106-0000	REAR PLEXI BRKT.
	0017-00101-0026	#8 x 5/8 SLT. HEX HD. S.M.S. (8 REQ'D.)
8	0873-00908-00XF	DECORATIVE SIDE PANEL - LEFT
	0873-00908-01XF	DECORATIVE SIDE PANEL - RIGHT (NOT SHOWN)
	0017-00007-0157	#4 CARPET TACK (6 REQ'D.)
9	0873-00903-00XF	DECORATIVE DISPLAY GLASS 22-5/16" x 20-7/8" x 1/8"
10	0905-00903-0200	GLASS EDGE CHANNEL - 19-7/8" LG. (2 REQ'D.)
11	A873-00014-0000	DISPLAY INSERT LIGHT ASSY.
	0873-00914-0000	PLASTIC LIGHT INSERT
	0017-00031-0029	WEDGE BASE LAMP SOCKET #1532 (6 REQ'D.)
	0017-00003-0218	LAMP #161 - 14V., .19A. (6 REQ'D.)
	A084-91376-A873	DISPLAY BOARD ASSEMBLY
	0873-00125-0000	LIGHT INSERT BRKT.
	0017-00101-0642	#8-32 x 1-1/2 CARRIAGE BOLT (2 REQ'D.)
	0017-00103-0061	#8-32 HEX NUT W/SEMS (2 REQ'D.)
	0017-00101-0018	#6 x 3/4 SLT HEX HD. M.S. (2 REQ'D.)
12	A873-00005-0000	CONTROL GRIP ASSEMBLY
13	A739-00012-0000	PUSH BUTTON ASSY. (2 REQ'D.)

NO. 873 — GORF UPRIGHT — PHOTOGRAPH
ORDER BY PART NUMBER ONLY

ITEM	PART NO	DESCRIPTION
14	0873-00112-00XF	GLASS HOLD DOWN BRKT.
	0017-00101-0764	#10-32 TRUSS HD. SCR. (3 REQ'D.)
	0017-00104-0023	#10 EXT. WASHER (3 REQ'D.)
15	0873-00119-00XF	CONTROL PLATE - DECORATIVE
	0017-00101-0118	#8-32 x 1-1/16 CARRIAGE BOLT (6 REQ'D.)
	0017-00104-0030	#8 WASHER (6 REQ'D.)
	0017-00103-0061	#8-32 HEX NUT W/SEMS (6 REQ'D.)
16	0873-00907-00XF	BOTTOM DECORATIVE HEADER
	0873-00111-0000	HEADER BRKT.
	0017-00101-0597	#8-32 x 5/16 SLT. HEX HD. SCR. (8 REQ'D.)
17	A873-00016-0000	BOTTOM HEADER LIGHT ASSY.
	0873-00108-0100	LIGHT FIXTURE BRKT. (2 REQ'D.)
	0873-00912-0000	INSULATOR - FISHPAPER (2 REQ'D.)
	0017-00101-0626	#8-32 x 3/4 SLT. PAN HD. M.S. (4 REQ'D.)
	0017-00103-0061	#8-32 HEX NUT W/SEMS (4 REQ'D.)
	0017-00003-0135	LAMP SOCKET #138 (2 REQ'D.)
	0017-00003-0373	CLEAR LAMP 15W., 120V. (2 REQ'D.)
18	A090-00076-02BK	DOUBLE ENTRY COIN DOOR ASSY.
19	0090-00002-02BK	COIN DOOR FRAME
	0017-00101-0121	#6-32 x 5/16 PHIL. TRS. HD. SCR. (3 REQ'D.) (MOUNTS COIN DOOR TO FRAME)
20	0017-00102-0048	3/8-16 x 2" LEG LEVELERS (4 REQ'D.)
	0017-00103-0026	3/8-16 LEG LEVELER HEX NUT (4 REQ'D.)
		<u>NOT SHOWN LIST</u>
	0017-00003-0187	SPEAKER - 6" x 9", 8 OHM, 9W. (2 REQ'D.)
	0151-00011-0000	SPEAKER GRILL (2 REQ'D.)
	0017-00101-0639	#8-32 x 1-1/4 CARRIAGE BOLT (8 REQ'D.)
	0017-00103-0061	#8-32 HEX NUT W/SEMS (8 REQ'D.)
	A873-00035-0000	BEZEL ASSY.
	0873-00906-0000	BEZEL
	0935-00904-0000	SMOKED PLEXI-GLASS

NO. 873 — GORF UPRIGHT — INTERIOR ACCESS PICTURE



NO. 873 — GORF UPRIGHT — INTERIOR ACCESS PICTURE

ORDER BY PART NUMBER ONLY

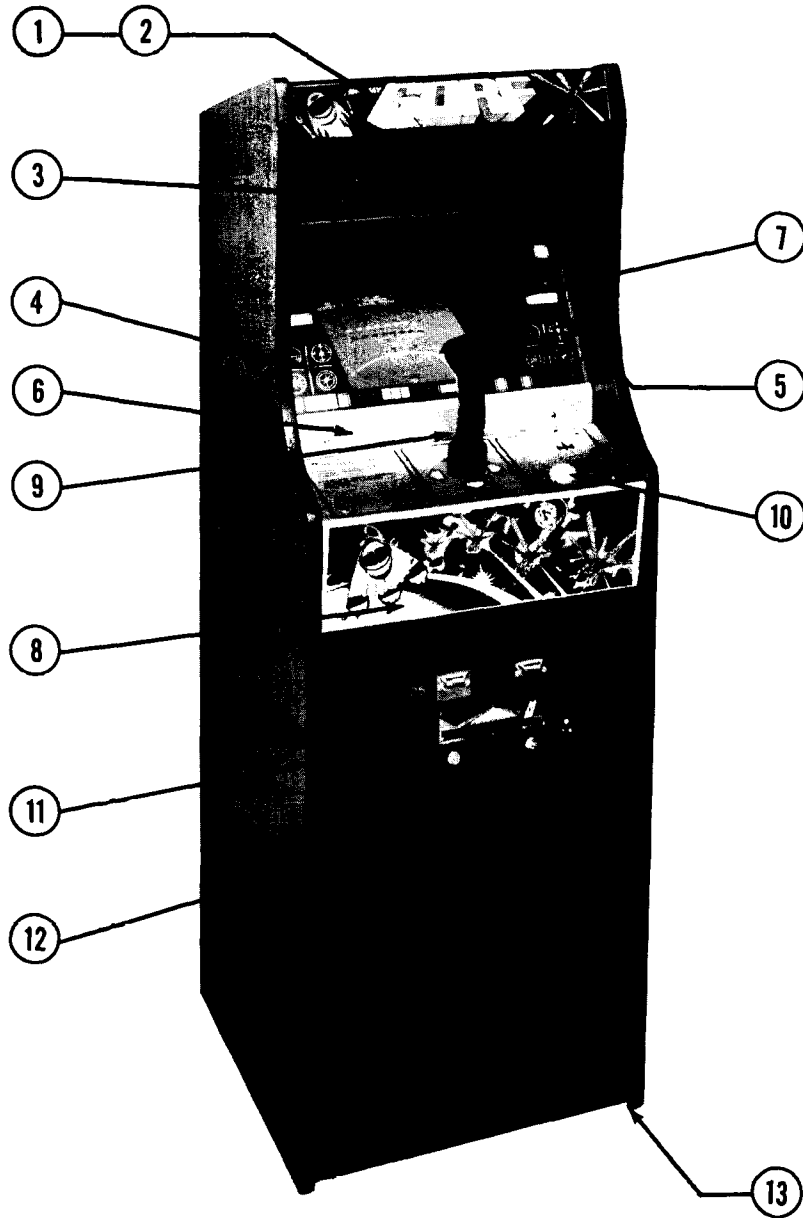
ITEM	PART NO	DESCRIPTION
1	0017-00003-0339	ELECTROHOME 19" COLOR DUAL SYNC
1	0017-00003-0354	HORIZ. MTG. MONITOR (OR) WELLS-GARDNER 19" COLOR DUAL
2	0873-00110-0000	SYNC HORIZ MTG. MONITOR
	0873-00121-0000	MONITOR BRKT.
	0017-00102-0012	TOP MONITOR BRKT.
	0017-00104-0014	1/4-20 x 1-1/4 UNSLOT. HEX HD. BOLT (4 REQ'D.)
	0017-00103-0018	PERIPHERY WASHER (4 REQ'D.)
3	0017-00032-0083	1/4-20 HEX NUT (4 REQ'D.)
	0567-00106-0100	ON-OFF SWITCH W/NUT
	0017-00101-0028	SWITCH PLATE
4	A873-00013-0000	#8 x 3/4 HEX HD. SCR. (4 REQ'D.)
	0873-00103-0000	LIGHT ASSY.
	0017-00101-0626	LIGHT BRKT.
	0017-00103-0061	#8-32 x 3/4 SLT. PAN HD. M.S. (2 REQ'D.)
	0017-00003-0135	#8-32 HEX NUT W/SEMS (2 REQ'D.)
	0017-00003-0309	LAMP SOCKET #138
5	0017-00009-0033	FROSTED LAMP 25W., 120V.
	0603-00131-0000	BASSICK CLAMP (2 REQ'D.)
	0017-00101-0028	STRIKE (2 REQ'D.)
6	A151-00027-0000	#8 x 3/4 SLT. HEX HD. SCR. (4 REQ'D. - CLAMP, 4 REQ'D. - STRIKE)
	0017-00101-0026	INTERLOCK SW. & BRKT. ASSY.
7	0902-00108-0000	#8 x 5/8 HEX HD. S.M.S. (2 REQ'D.)
	A082-90903-A000	AUDIO AMPL. BRKT. - HEATSINK
	0017-00003-0205	AUDIO AMPL. BRD. ASSY. - STEREO
	0017-00101-0107	MICA INSULATOR (2 REQ'D.)
	0017-00007-0153	#6 x 5/16 SLT. HEX HD. SCR. (4 REQ'D.)
	0017-00042-0014	P.C. BRD. SUPPORT (4 REQ'D.)
	0017-00101-0716	HEYCO NUT 1/4" (3 REQ'D.)
	0017-00103-0060	#6-32 x 1/4 SLT. RND. HD. M.S. (2 REQ'D.)
8	A082-91363-A000	#6-32 HEX NUT (2 REQ'D.)
	0017-00101-0018	R-G-B INTERFACE P.C. BRD. ASSY.
9	A873-00009-0000	#6 x 3/4 SLT. HEX HD. SCR. (4 REQ'D.)
		CARD RACK ASSY. W/P.C.B.'S

NO. 873 — GORF UPRIGHT — INTERIOR ACCESS PICTURE

ORDER BY PART NUMBER ONLY

ITEM	PART NO	DESCRIPTION
10	A082-90411-A000 0624-00902-0100 0624-00902-0300 0017-00104-0037 0017-00101-0028	POWER SUPPLY BRD. ASSY. P.C. SUPPORT BRKT - 12'' LG. (2 REQ'D.) P.C. SUPPORT BRKT. - 2-1/2'' LG. (2 REQ'D.) 1/16 THK. FLAT WASHER (10 REQ'D.) #8 x 3/4 HEX HD. SCR. (10 REQ'D.)
11	A873-00010-0000	TRANSFORMER BRD. ASSY.
12	0017-00009-0477 A905-00026-0000 A624-00001-0000 0624-00101-0000 0017-00101-0628 0017-00104-0022 0017-00103-0061	CASH BOX - MOLDED CASH BOX COVER ASSY. CASH BOX GUIDE BRKT. ASSY. CASH BOX GUIDE BRKT. #8-32 x 3/4 CARRIAGE BOLT (4 REQ'D.) #8 FLAT WASHER (4 REQ'D.) #8-32 HEX NUT W/SEMS (4 REQ'D.)
	0017-00004-0022 0926-00904-0000 0017-00101-0579 0017-00104-0017 0017-00103-0005 0017-00009-0490 A151-00029-0000	<p><u>NOT SHOWN LIST</u></p> <p>304 DYMAX STRAP PROTECTIVE BUBBLE - UPPER BACK DOOR #6-32 x 1'' CARRIAGE BOLT (10 REQ'D.) #6 FLAT WASHER (10 REQ'D.) #6-32 HEX NUT W/SEMS (10 REQ'D.) 5-5/8 SQ. VENT GRILL (4 REQ'D.) BACK DOOR LOCK ASSY. (2 REQ'D.)</p>

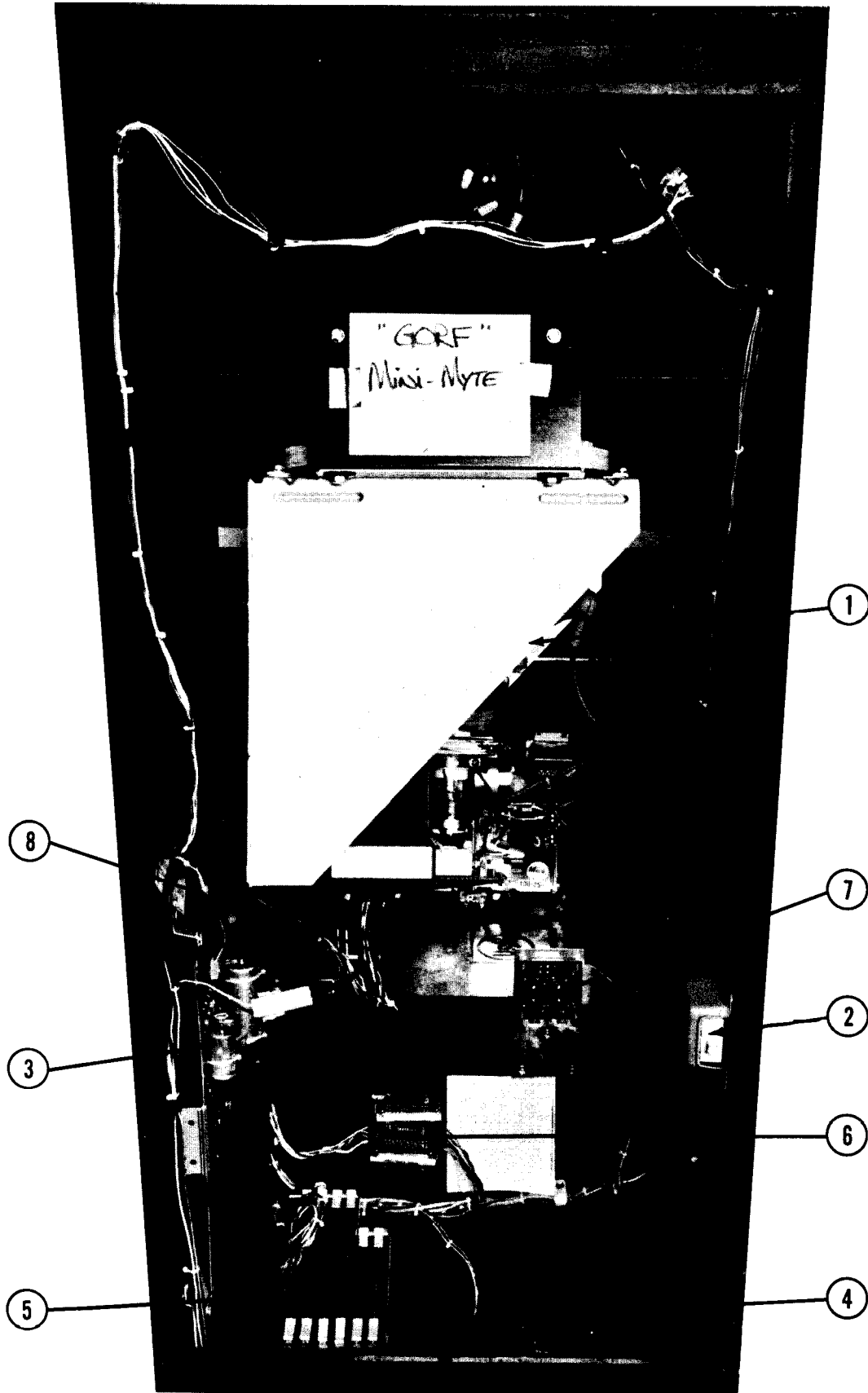
NO. 926 — GORF MINI — PHOTOGRAPH



ORDER BY PART NUMBER ONLY

ITEM	PART NO	DESCRIPTION
1	0926-00903-0000	DISPLAY PLEX
	0017-00101-0117	#8 x 5/8 PHIL. TRUSS HD. SCREW (8 REQ'D.)
2	A926-00010-0000	INSERT DISPLAY ASSY.
	0017-00031-0030	LIGHT SOCKET (5 REQ'D.)
	0017-00003-0219	LAMP #194 14V .27A WEDGE (5 REQ'D.)
3	0017-00003-0161	SPEAKER 4" SQ. 8 OHM 3W (2 REQ'D.)
	0017-00009-0482	SPEAKER GRILL (2 REQ'D.)
	0017-00101-0127	#8-32 x 1-3/8 CARRIAGE BOLT (8 REQ'D.)
	0017-00103-0061	#8-32 HEX NUT W/SEMS (8 REQ'D.)
4	0926-00901-00XF	MAIN GLASS
5	0905-00903-0300	GLASS CHANNEL 11-3/4 (2 REQ'D.)
6	0926-00103-00XF	GLASS CLAMPING PLATE
	0017-00101-0760	#10-32 x 1" PHIL. RND. HD. W/WASHER (2 REQ'D.)
7	0926-00905-0000	T.V. BEZEL
	0926-00902-0000	PLEXI GLASS
8	0926-00102-00XF	CONTROL PLATE
	0017-00101-0118	#8-32 x 1-1/8 CARRIAGE BOLT (4 REQ'D.)
	0017-00104-0030	#8 FLAT WASHER (4 REQ'D.)
	0017-00103-0061	#8-32 HEX NUT W/SEMS (4 REQ'D.)
	0017-00101-0065	#6 x 1/2 PHIL. TRUSS HD. SCREW (2 REQ'D.)
9	A873-00005-0000	CONTROL GRIP ASSY.
10	A739-00012-0000	PUSH BUTTON ASSY. (2 REQ'D.)
11	A090-00076-02BK	FRONT DOOR ASSY.
	A090-00057-0000	COUNTER METER ASSY.
12	0090-00002-02BK	COIN DOOR FRAME
	0017-00101-0121	#6-32 x 5/16 PHIL. TRS. HD. SCREW (3 REQ'D.) (MOUNTS COIN DOOR TO FRAME)
13	0017-00102-0048	LEG LEVELERS (4 REQ'D.)
	0017-00103-0026	LEG LEVELER NUTS (4 REQ'D.)
		NOT SHOWN LIST
	0017-00009-0033	BASSICK CLAMP (2 REQ'D.)
	0603-00131-0000	STRIKE (2 REQ'D.)
	0017-00101-0028	#8 x 3/4 SLT. HEX SCREW (4 REQ'D. CLAMP - 4 REQ'D. STRIKE)

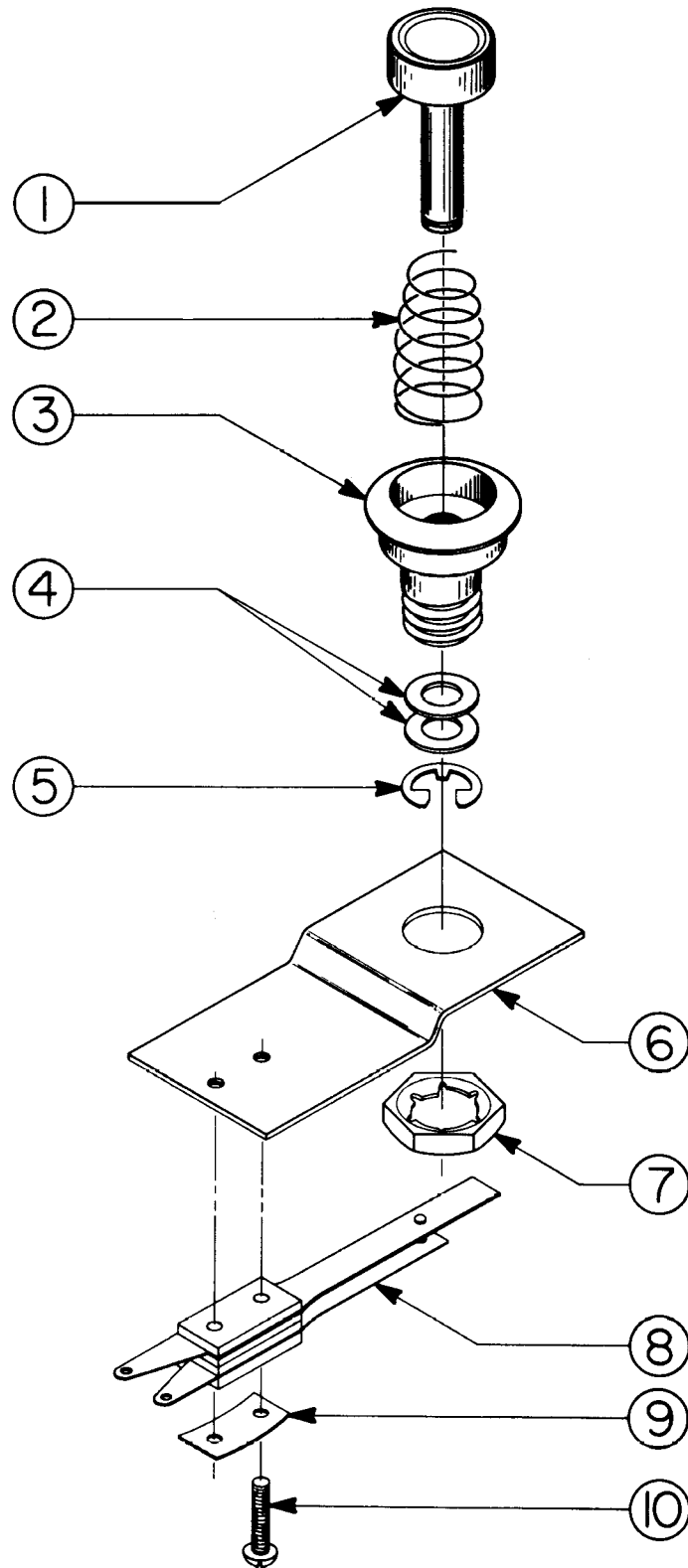
NO. 926 — GORF MINI — INTERIOR ACCESS PICTURE



NO. 926 — GORF MINI — INTERIOR ACCESS PICTURE
ORDER BY PART NUMBER ONLY

ITEM	PART NO	DESCRIPTION
1	0017-00003-0340	13" COLOR DUAL SYNC HORIZ. MTG. MONITOR - ELECTROHOME
		(OR)
1	0017-00003-0369	13" COLOR DUAL SYNC HORIZ. MTG. MONITOR - WELLS-GARDNER
	A926-00012-00XF	T.V. MTG. BRKT ASSY.
	0017-00101-0628	#8-32 x 3/4 CARRIAGE BOLT (4 REQ'D.)
	0017-00104-0026	#8 FLAT WASHER (4 REQ'D.)
	0017-00103-0061	#8-32 HEX NUT W/SEMS (4 REQ'D.)
2	A151-00027-0000	INTERLOCK SWITCH & BRKT. ASSY.
	0017-00101-0028	#8 x 3/4 SLT. HEX HD. WD. SCR. (2 REQ'D.)
3	A082-90411-A000	POWER SUPPLY P.C.B.
	0624-00902-0100	P.C. SUPPORT BRKT. 12" (2 REQ'D.)
	0624-00902-0300	P.C. SUPPORT BRKT. 2-1/2" (2 REQ'D.)
4	A873-00010-0000	TRANSFORMER BD. ASSY.
5	A789-00002-0000	CARD RACK ASSY.
6	A082-91363-A000	R-G-B INTERFACE P.C.B. ASSY.
7	A082-90903-A000	AUDIO AMP P.C.B. ASSY. STEREO
8	A905-00028-0000	CASH BOX ASSY. W/HANDLE
	0905-00126-00XF	CASH BOX HANDLE
	A905-00026-0000	CASH BOX COVER ASSY.
	A624-00001-0000	CASH BOX GUIDE BRKT. ASSY.
	0624-00101-0000	CASH BOX GUIDE BRKT.
		<u>ADDITIONAL PARTS LIST</u>
	A097-00003-0000	LOCK ASSY. - BACK DOOR
	0017-00009-0490	VENT GRILL (2 REQ'D.)
	0926-00904-0000	PROTECTIVE BUBBLE - BACK DOOR
	0017-00032-0083	ON-OFF SWITCH
	0567-00106-0100	ON-OFF SWITCH MTG. PLATE
	A082-90508-A000	DRIVER P.C.B. ASSY.
	A873-00023-0000	STEREO AUDIO AMP BD. & BRKT. ASSY.

NO. 873 & 926 — GOLF UPRIGHT & MINI — PUSH BUTTON ASSEMBLY

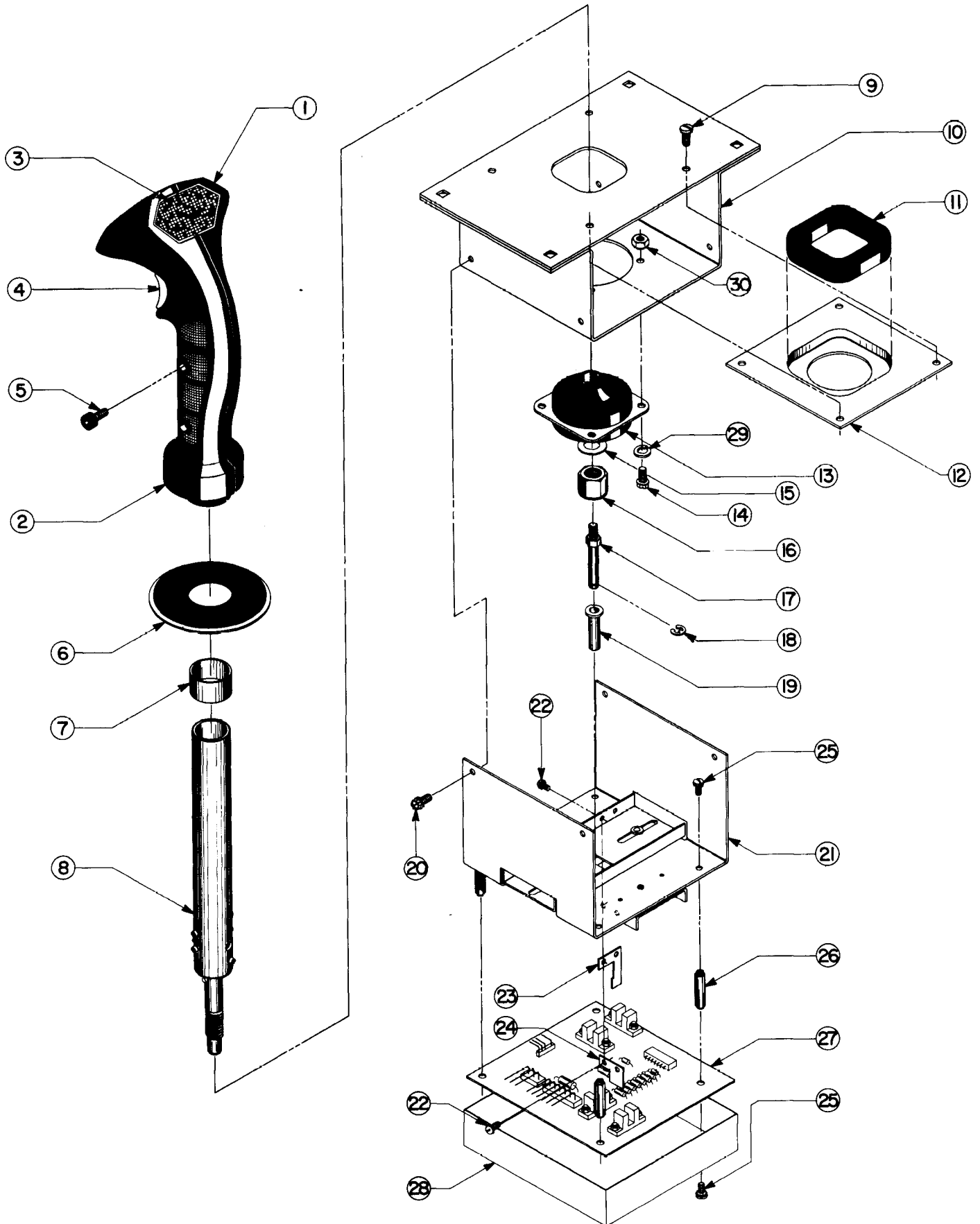


NO. 873 & 926 — GOLF UPRIGHT & MINI — PUSH BUTTON ASSEMBLY

ORDER BY PART NUMBER ONLY

ITEM	PART NO	DESCRIPTION
1	0017-00009-0384	BUTTON
2	0010-00593-0000	SPRING
3	0017-00009-0376	BUTTON HOUSING
4	0017-00104-0028	FLAT WASHER (2 REQ'D.)
5	0017-00100-0025	E-RING
6	A739-00012-0000	PUSH BUTTON ASSY. (FIRST 5 ITEMS)
7	0586-00107-0000	MOUNTING BRKT.
8	0017-00103-0054	PAL NUT
9	A739-00016-0000	SWITCH ASSY.
10	0020-00202-0000	SWITCH PLATE
	0017-00101-0526	#5-40 x 9/16 PHIL. HD. M.S. (2 REQ'D.)

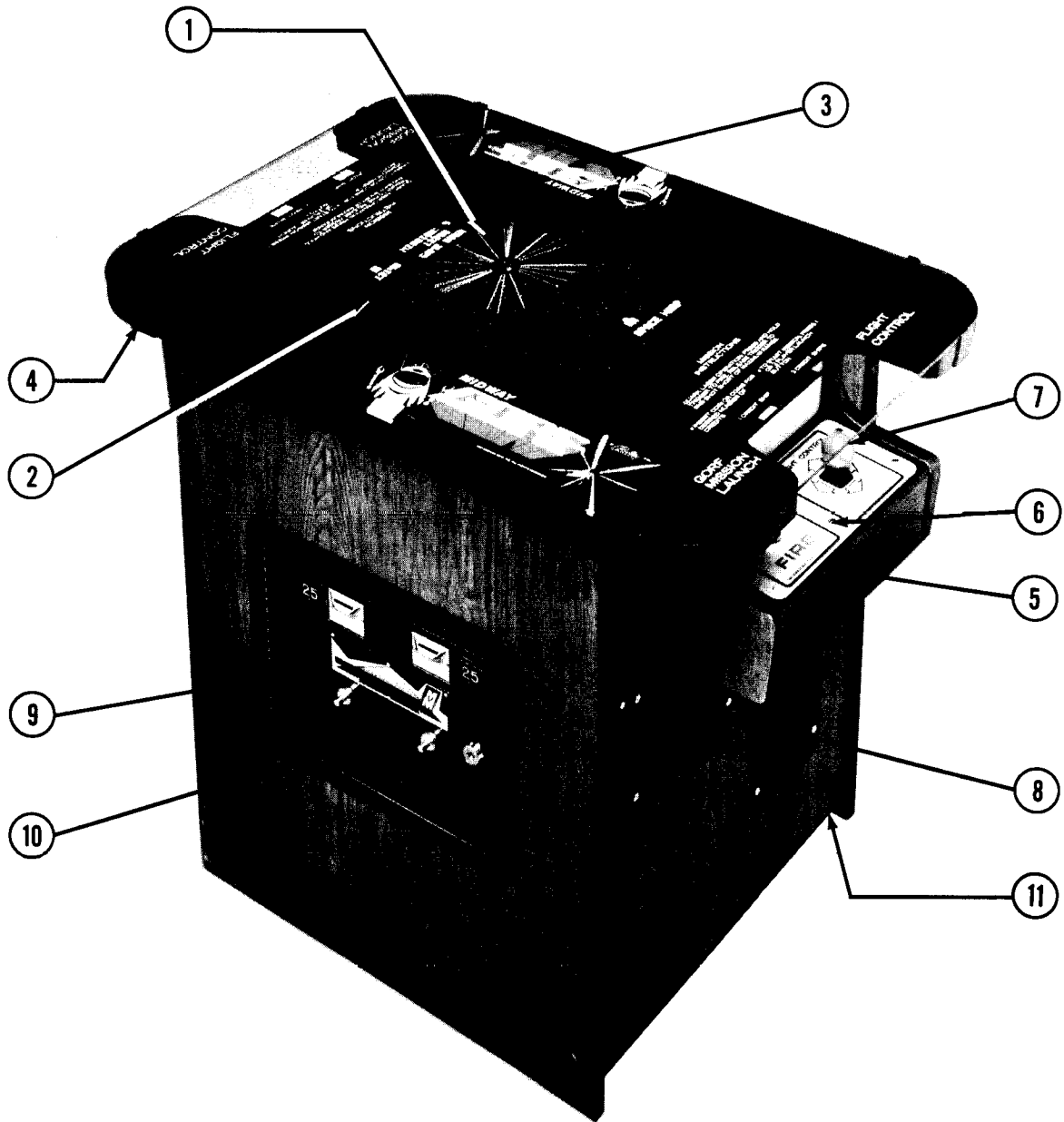
NO. 873 & 926 — GOLF UPRIGHT & MINI — CONTROL GRIP ASSEMBLY



ORDER BY PART NUMBER ONLY

ITEM	PART NO	DESCRIPTION
1	0873-00900-0200	CONTROL GRIP - LEFT
2	0873-00900-0100	CONTROL GRIP - RIGHT
3	0873-00902-0000	CONTROL GRIP LENS PANEL
	0017-00003-0364	WEDGE BASE LAMP .08 AMP, 14V. (2 REQ'D.)
	A082-91378-C000	LIGHTS MTG. P.C. ASSY. W/LAMP BASES
4	0873-00901-0000	TRIGGER
	A873-00006-0000	CONTROL GRIP SWITCH ASSY.
	0020-00202-0000	SWITCH PLATE
	0017-00101-0528	#5-40 x 3/4 SLT. RND. HD. M.S. (2 REQ'D.)
	0873-00123-00XF	SWITCH & LIGHTS MTG. BRKT.
	0017-00101-0083	#4-20 x 3/8 PHIL. PAN HD. SCREW (2 REQ'D.)
5	0017-00101-0116	#10-32 x 3/8 HEX BUTTON HD. SCREW (5 REQ'D.)
	A873-00037-0000	1/8 TAMPER PROOF ALLEN KEY
6	A873-00031-0000	FOLLOWER & PLATE ASSY.
7	0873-00704-00XF	SLEEVE
8	A873-00025-0000	TUBING & PIVOT PIN PINNING ASSY.
9	0017-00101-0615	#8-32 x 3/8 SLT. PAN HD. M.S. (4 REQ'D.)
10	A873-00027-00XF	CENTERING BRKT. WELD ASSY.
11	0873-00910-0000	BUMPER
12	0873-00113-00XF	BUMPER MTG. BRKT.
13	0873-00909-0000	GROMMET - MODIFIED
14	0017-00101-0799	#10-32 x 3/8 SLT. HEX HD. SCREW (4 REQ'D.)
15	0017-00104-0034	FLAT WASHER
16	0017-00103-0082	7/16 - 14 NYLON INSERT LOCK NUT
17	0873-00701-00XF	ACTUATING PIN
18	0017-00100-0015	5/32 E-RING
19	0017-00042-0241	INSULATOR
20	0017-00101-0598	#8-32 x 5/16 SLT. HEX HD. SCR. (4 REQ'D.)
21	A873-00029-0000	SLIDE & MTG. BRKT. RIVET ASSY.
22	0017-00101-0691	#4-40 x 3/16 SLT. RND. HD. M.S. (4 REQ'D.)
23	0926-00100-00XF	FLAG SENSOR - RIGHT & LEFT
24	0926-00101-00XF	FLAG SENSOR - UP & DOWN
25	0017-00101-0553	#6-32 x 1/4 SLT. PAN HD. M.S. (8 REQ'D.)
26	0926-00700-00XF	P.C. MTG. POST (4 REQ'D.)
27	A082-91379-A000	CONTROL GRIP P.C. ASSY.
28	0873-00122-0000	P.C. SENSOR SHIELD
29	0017-00104-0004	#10 SPLIT LOCKWASHER (4 REQ'D.)
30	0017-00103-0081	#10-32 HEX NUT W/SEMS (4 REQ'D.)
		NOT SHOWN LIST
	0017-00101-0129	#10-32 x 1" CARRIAGE BOLT (4 REQ'D.)
	0017-00104-0025	#10 FLAT WASHER (4 REQ'D.)
	0017-00103-0011	#10-32 LOCKING NUT (4 REQ'D.)
		(ABOVE 3 ITEMS USED TO MOUNT
		CONTROL GRIP ASSY. TO CONTROL SHELF)
	0010-00266-0100	STRAIN RELIEF SPRING

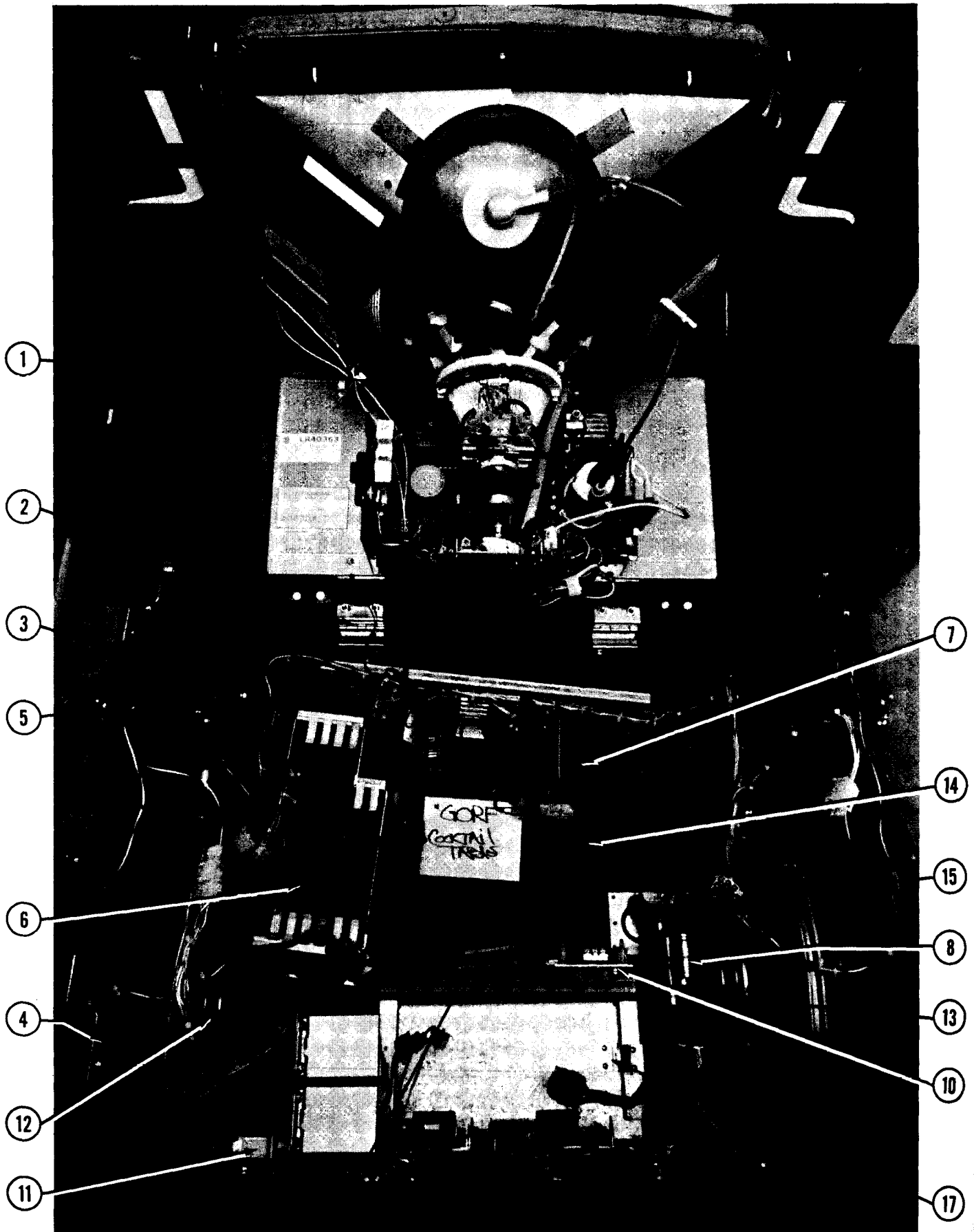
NO. 927 — GORF COCKTAIL — PHOTOGRAPH



NO. 927 — GORF COCKTAIL — PHOTOGRAPH
ORDER BY PART NUMBER ONLY

ITEM	PART NO	DESCRIPTION
1	0017-00003-0339	19" COLOR DUAL SYNC HORIZ. MTG. MONITOR - ELECTROHOME
		(OR)
1	0017-00003-0354	19" COLOR DUAL SYNC HORIZ. MTG. MONITOR - WELLS-GARDNER
2	A927-00022-0000	T.V. BEZEL & PLEXI ASSY.
	0869-00907-0000	PLEXI
	0927-00903-0000	T.V. BEZEL
3	0927-00900-00XF	GLASS TOP
4	0775-00104-00XF	GLASS CLIPS (8 REQ'D.)
	0017-00101-0117	#8 x 5/8 PHIL. TRS. HD. S.M.S. (16 REQ'D.)
5	0927-00109-00XF	CONTROL PANEL (2 REQ'D.)
6	0927-00905-0000	CONTROL PANEL OVERLAY - PLAYER #1
	0927-00906-0000	CONTROL PANEL OVERLAY - PLAYER #2 (OPPOSITE SIDE)
	0017-00101-0620	#8-32 x 1/2 CARRIAGE BOLT (8 REQ'D.)
	0017-00104-0022	#8 FLAT WASHER (8 REQ'D.)
	0017-00103-0061	#8-32 HEX NUT W/SEMS (8 REQ'D.)
	0017-00101-0341	#6 x 1/4 PHIL. TRS. HD. M.S. (4 REQ'D.)
7	0927-00014-0000	CONTROL ASSY. (2 REQ'D.)
8	0017-00009-0482	SPEAKER — VENT GRILLS (3 REQ'D.)
	0017-00003-0259	6" x 9" SPEAKER 8 OHM, 7W.
	0017-00009-0393	SPEAKER GRILL (SMALL) NOT SHOWN
	0017-00003-0161	4" SQ. SPEAKER 8 OHM, 7W. - NOT SHOWN
9	A090-00300-05BK	COIN DOOR ASSEMBLY
	0017-00003-0102	COIN METER
10	0090-00002-02BK	COIN DOOR FRAME
	0017-00101-0121	#6-32 x 5/16 PHIL. TRUSS HD. M.S. (3 REQ'D.) (MOUNTS COIN DOOR TO FRAME)
11	0017-00102-0048	LEG LEVELERS (4 REQ'D.)
	0017-00103-0026	LEG LEVELER NUTS (4 REQ'D.)
		<u>NOT SHOWN LIST</u>
	0017-00009-0033	BASSICK CLAMP (2 REQ'D.)
	0017-00101-0026	#8 x 5/8 HEX HD. M.S. (4 REQ'D.)
	0610-00132-0000	STRIKE (2 REQ'D.)
	0017-00101-0028	#8 x 3/4 HEX HD. S.M.S. (4 REQ'D.)

NO. 927 — GORF COCKTAIL — INTERIOR ACCESS PICTURE

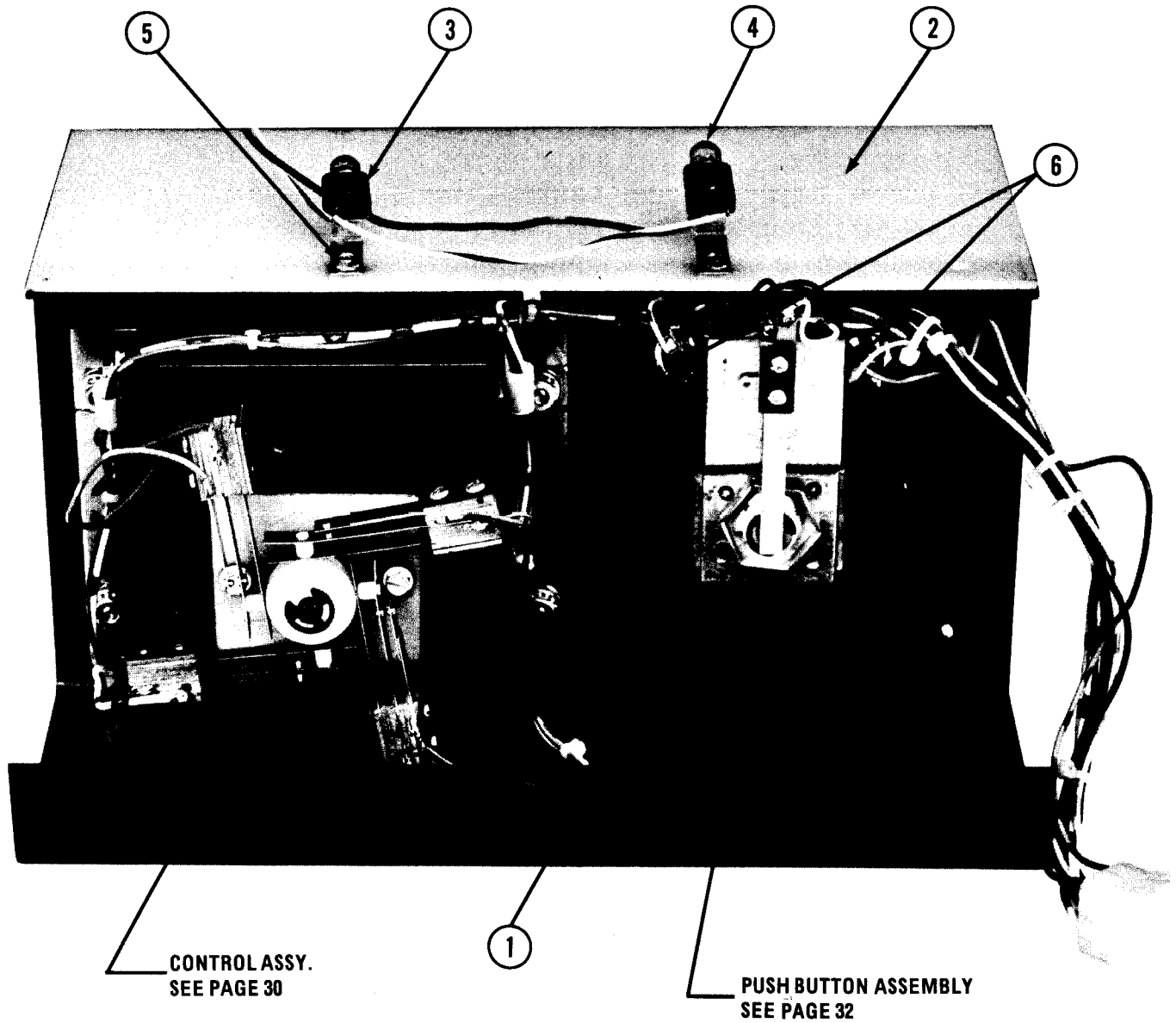


NO. 927 — GORF COCKTAIL — INTERIOR ACCESS PICTURE

ORDER BY PART NUMBER ONLY

ITEM	PART NO	DESCRIPTION
1	0017-00003-0339	19" COLOR MONITOR & CHASSIS — ELECTROHOME (OR)
1	0017-00003-0354 A869-00007-00XF A869-00007-01XF	19" COLOR MONITOR & CHASSIS—WELLS-GARDNER MONITOR SUPPORT ASSY. - L.H. MONITOR SUPPORT ASSY. - R.H.
2	0017-00009-0495	2" HINGE (2 REQ'D.)
3	0927-00904-0000	LIGHT SHIELD (2 REQ'D.)
4	0927-00111-0000	RETAINING BRKT. (4 REQ'D.)
5	0017-00031-0044 0017-00003-0219	LAMP SOCKET (4 REQ'D.) #194 LAMP 14V., .27A. (4 REQ'D.)
6	A789-00002-0000	CARD RACK ASSY.
7	A927-00007-0000	TRANSFORMER BRD. ASSY.
8	A082-90411-A000 0624-00902-0100 0624-00902-0300	POWER SUPPLY P.C. ASSY. P.C. SUPPORT BRKT. - 12" (3 REQ'D.) P.C. SUPPORT BRKT. - 2-1/2"
9	A082-91363-A000	R-G-B INTERFACE P.C. BRD. ASSY.
10	A873-00023-0000	STEREO AUDIO AMP BRD. & BRKT. ASSY.
11	0017-00032-0071	INTERLOCK SWITCH
12	0017-00003-0161	4" SQ. SPEAKER 8 OHM, 7W.
13	0017-00003-0259	6" x 9" SPEAKER 8 OHM, 7W.
14	0017-00003-0222 0775-00110-00XF 0749-00106-00XF 0017-00101-0347 0017-00104-0009 0017-00103-0005 0017-00101-0026	FAN FAN PLATE VENT SCREEN #6-32 x 1/2 R.H.M.S. (4 REQ'D.) #6 EXT. WASHER (4 REQ'D.) #6-32 HEX NUT (4 REQ'D.) #8 x 5/8 SLT. HEX HD. M.S. (4 REQ'D.)
15	A927-00008-0000	ON-OFF SWITCH ASSY.
16	A090-00300-05BK	COIN DOOR ASSY.
17	A927-00019-0000 A927-00020-0000 A625-00024-0000 0625-00117-0000	COIN BOX ASSY. COIN BOX COVER ASSY. COIN BOX GUIDE BRKT. ASSY. COIN BOX GUIDE
	A082-90508-A000 A082-90903-A000 A889-00017-0000 G927-00005-0000	<u>ADDITIONAL PARTS LIST</u> DRIVER P.C. BRD. ASSY. AUDIO AMP BRD. ASSY. LATCH SLIDE ASSY. (TABLE TOP PROP SUPPORT) LEG KIT ASSY. (HIGH BASE) - OPTIONAL (INCLUDES 4 LEGS & HARDWARE)

NO. 927 — GORF COCKTAIL TABLE — CONTROL SHELF ASSEMBLY



CONTROL ASSY.
SEE PAGE 30

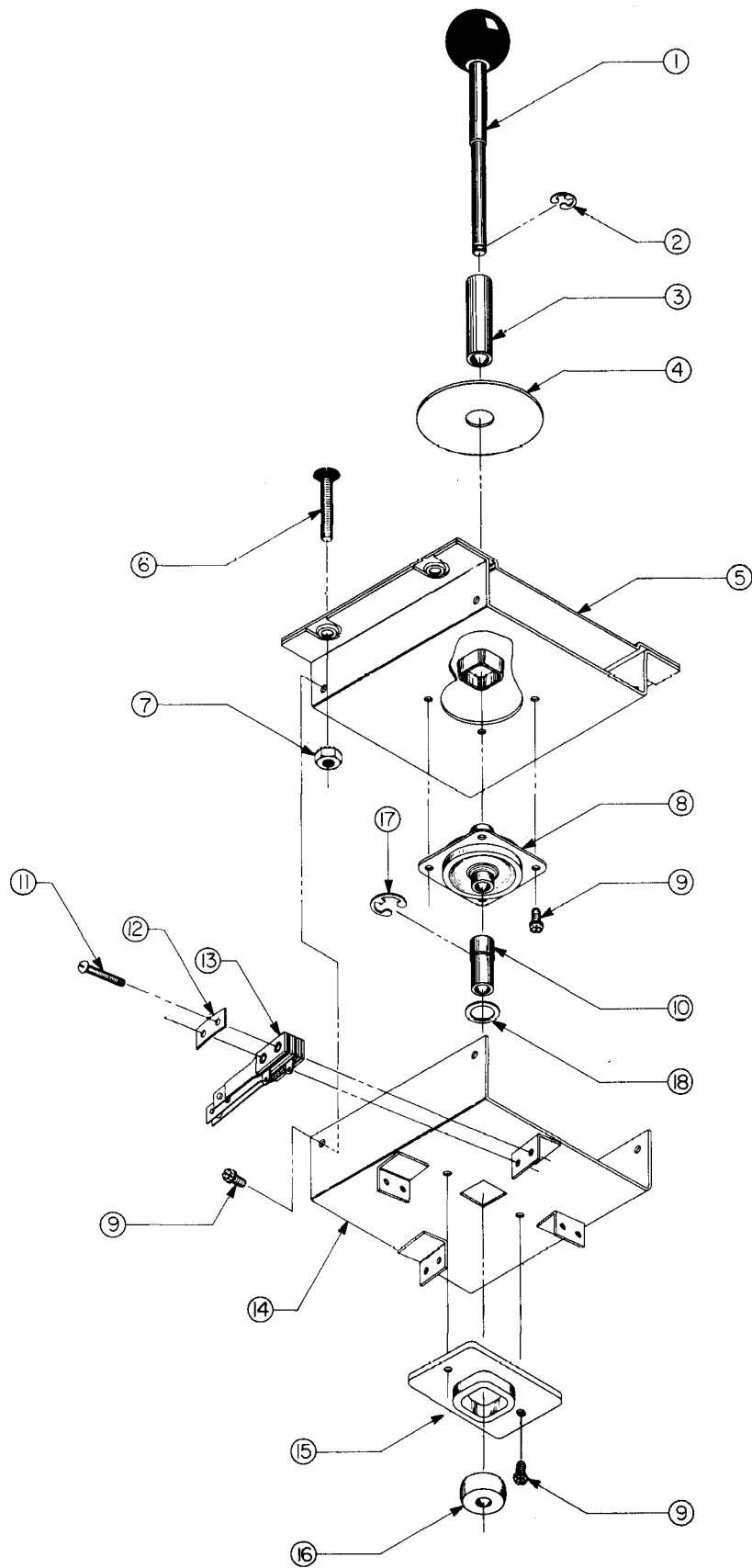
PUSH BUTTON ASSEMBLY
SEE PAGE 32

NO. 927 — GOLF COCKTAIL TABLE — CONTROL SHELF ASSEMBLY

ORDER BY PART NUMBER ONLY

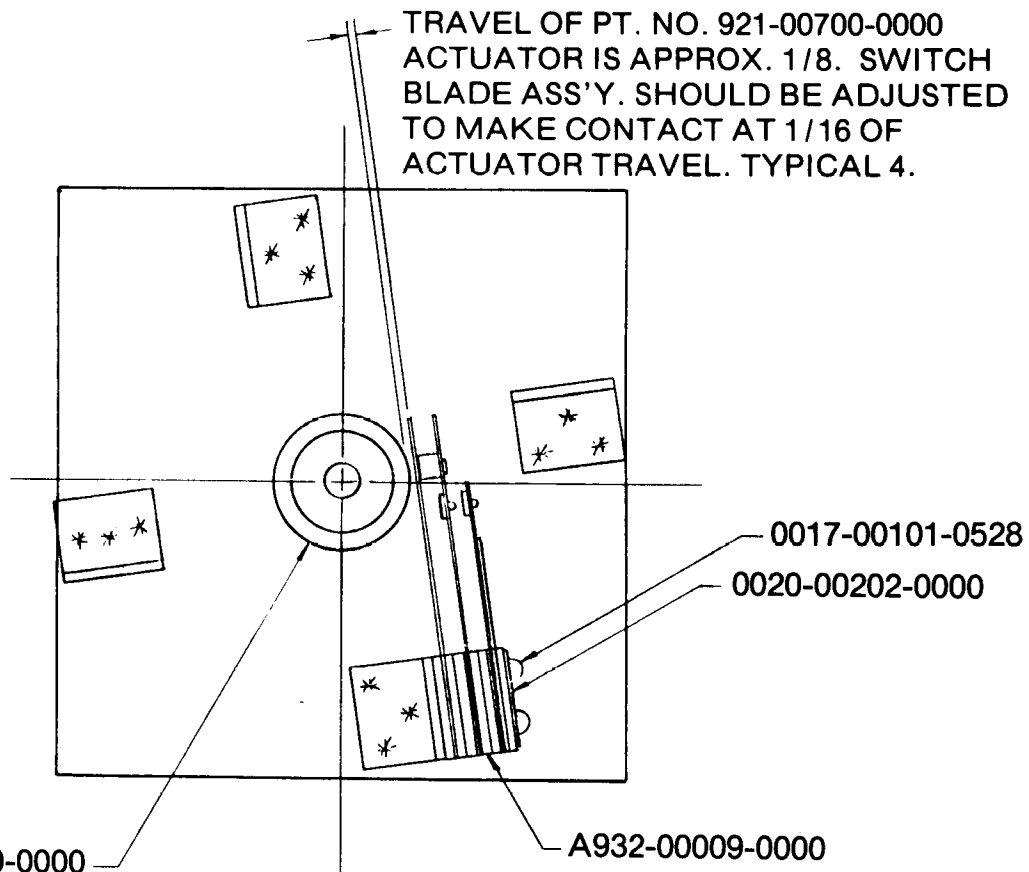
ITEM	PART NO	DESCRIPTION
1	0927-00109-00XF	CONTROL PANEL
2	0927-00904-0000	LIGHT SHIELD
3	0017-00031-0044	SOCKET - LAMP WEDGE (2 REQ'D.)
4	0017-00003-0219	LAMP #194 14V, .27A. WEDGE (2 REQ'D.)
5	0017-00101-0555	#6-32 x 5/16 SLT. HEX HD. SCREW (2 REQ'D.)
6	0017-00032-0051	SWITCH BUTTON - RED (2 REQ'D.) (PLAYER #1 ONLY)
		NOT SHOWN LIST
	0927-00110-00XF	SHELF BOTTOM (2 REQ'D.)
	0927-00111-0000	RETAINING BRKT. (4 REQ'D.) (MOUNTS SHELF TO CABINET)

NO. 927 — GOLF COCKTAIL — CONTROL ASSEMBLY

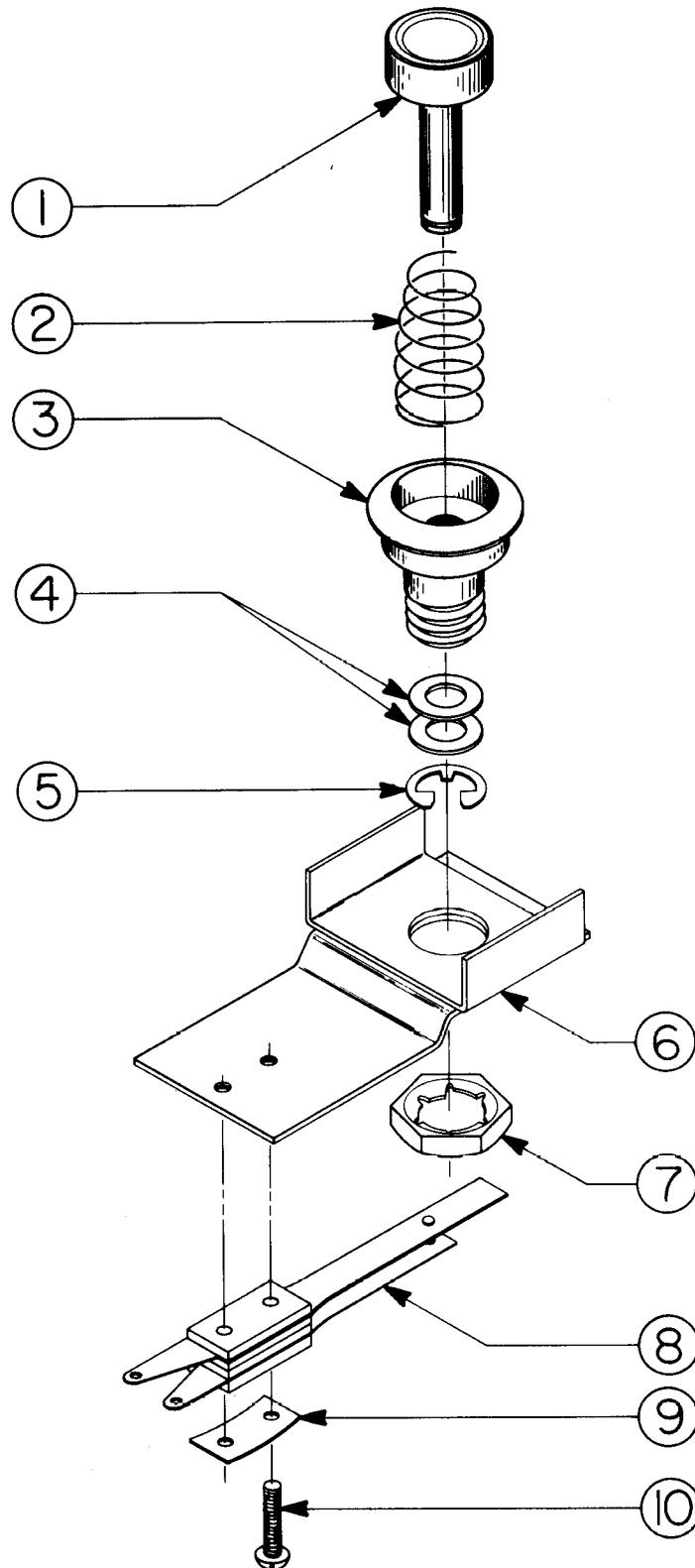


NO. 927 — GOLF COCKTAIL — CONTROL ASSEMBLY
ORDER BY PART NUMBER ONLY

ITEM	PART NO	DESCRIPTION
1	A932-00022-0000	BALL & SHAFT ASSEMBLY
2	0017-00100-0025	1/4" E-RING
3	0921-00702-0000	STOP SPACER
4	0921-00902-0000	SLIDE PLATE
5	A921-00008-00XF	SPOT WELD ASSY.
6	0017-00101-0713	#8-32 x 1" SLT. FLAT HD. SCREW (4 REQ'D.)
7	0017-00103-0061	#8-32 HEX NUT W/SEMS (4 REQ'D.)
8	0932-00902-0000	GROMMET
9	0017-00101-0598	#8-32 x 5/16 SLT. HEX HD. M.S. (10 REQ'D.)
10	0921-00701-0000	SLEEVE
11	0017-00101-0527	#5-40 x 5/8 SLT. RND. HD. SCR. (8 REQ'D.)
12	0020-00202-0000	SWITCH PLATE (4 REQ'D.)
13	A932-00009-0000	SWITCH ASSEMBLY (4 REQ'D.)
14	A921-00009-0000	STOP PLATE & SWITCH BRKT. ASSY.
15	0927-00908-0000	WEAR PLATE
16	0921-00700-0000	ACTUATOR
17	0017-00100-0115	7/16" E-RING
18	0017-00104-0111	FLAT WASHER



NO. 927 — GOLF COCKTAIL TABLE — PUSH BUTTON ASSEMBLY

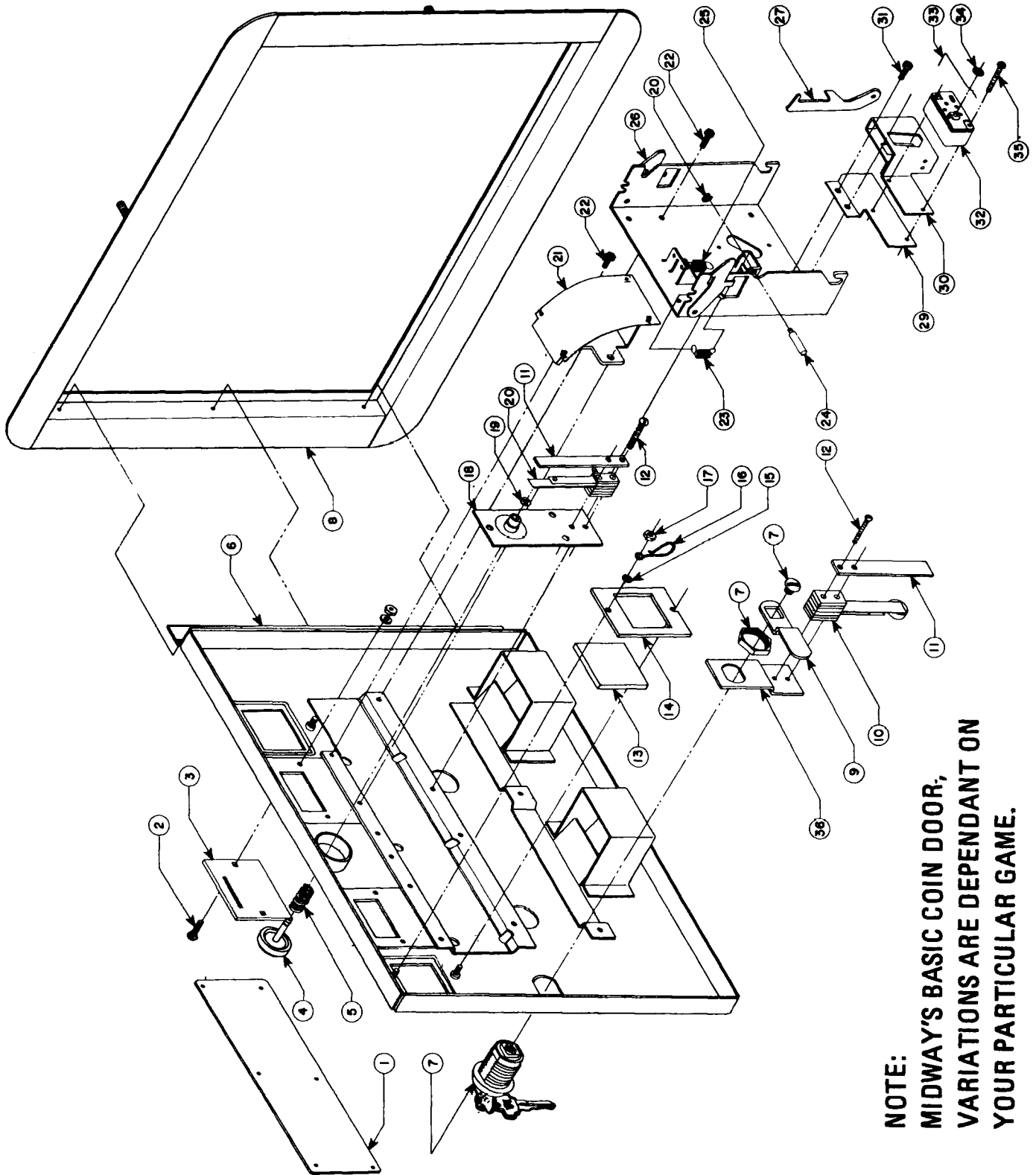


NO. 927 — GORF COCKTAIL TABLE — PUSH BUTTON ASSEMBLY

ORDER BY PART NUMBER ONLY

ITEM	PART NO	DESCRIPTION
1	0017-00009-B384	BUTTON - RED
2	0010-00593-0000	SPRING
3	0017-00009-0376	BUTTON HOUSING
4	0017-00104-0028	FLAT WASHER (2 REQ'D.)
5	0017-00100-0025	1/4" E-RING
6	A855-00016-0000	PUSH BUTTON ASSY. (FIRST 5 ITEMS)
7	A927-00011-0000	MOUNTING BRKT. ASSY.
8	0017-00103-0054	PAL NUT
9	A739-00016-0000	SWITCH ASSEMBLY
10	0020-00202-0000	SWITCH PLATE
	0017-00101-0526	#5-40 x 9/16 PHIL. HD. M.S. (2 REQ'D.)

NO. 873 & 926 & 927 GORF UPRIGHT, MINI & COCKTAIL—FRONT DOOR ASSY.



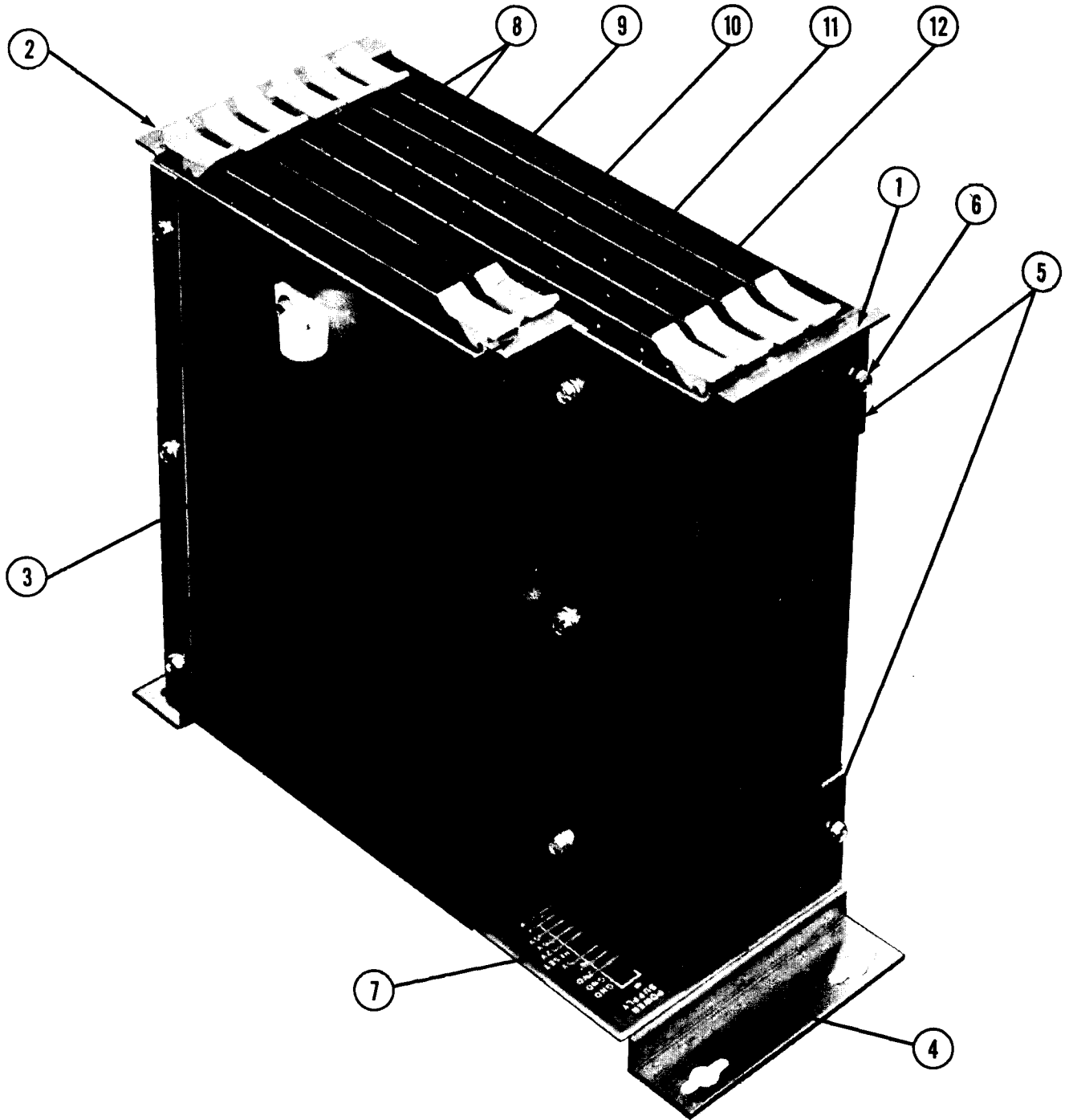
**NOTE:
MIDWAY'S BASIC COIN DOOR,
VARIATIONS ARE DEPENDANT ON
YOUR PARTICULAR GAME.**

NO. 873 & 926 & 927 GORF UPRIGHT, MINI & COCKTAIL—FRONT DOOR ASSY.

ORDER BY PART NUMBER ONLY

ITEM	PART NO	DESCRIPTION
1	0090-00902-0000	DRESS PLATE
	0090-00902-0100	DRESS PLATE W/O BUTTON TO START GAME
2	0017-00101-0552	#6-32-x 1/4 CARRIAGE BOLT (2)
3	0090-00117-03XF	COIN ENTRY PLATE (25¢)
4	0090-00906-0000	PLASTIC START BUTTON
5	0010-00007-0000	COMPRESSION SPRING
6	A090-00020-2003	DOOR ASSY. DOUBLE ENTRY
7	0017-00005-0050	DOOR LOCK & KEY WITH SCREW & NUT
8	0090-00002-02BK	DOUBLE DOOR FRAME
9	0017-00005-0041	421 N.S. CAM
10	0090-00901-0000	DOOR SWITCH
	0090-00126-01XF	SWITCH BACKUP PLATE
12	0017-00101-0528	#5-40 x 3/4" LNG. M.S.
13	0090-00903-9500	25¢ WINDOW
14	0090-00143-0000	COIN PLEX RETAINER
15	0017-00104-0002	SPLIT LOCK WASHER
16	0017-00007-0019	KEY HOOK
17	0017-00103-0087	#6-32 HEX NUT
18	0090-00010-0000	SW. PLATE & OILLITE ASSY.
19	0017-00100-0018	"E" RING
20	0090-00131-0000	SWITCH
21	0090-00104-0000	TOP & BTM. COIN CHUTE W/BRKT. ASSY.
22	0017-00101-0123	#8 x 1/4 SCREW
23	0010-00181-0100	SPRING
24	0090-00129-00XF	PIVOT POST
25	0010-00134-0000	SPRING
26	0090-00008-0000	ACCEPTOR FRAME ASSY.
27	0093-00155-00XF	REJECTOR LEVER
28	0017-00100-0012	"E" RING
29	0090-00162-00XF	COIN SWITCH MTG. BRKT. - SMALL
29	0090-00163-00XF	COIN SWITCH MTG. BRKT. - LARGE
30	0017-00005-0203	COIN SWITCH CHUTE - SMALL
30	0017-00005-0204	COIN SWITCH CHUTE - LARGE
31	0017-00101-0124	#6 x 1/4 SCREW
32	0017-00005-0195	COIN SWITCH
33	0010-00599-0000	COIN SWITCH WIRE
34	0017-00007-0132	PUSH-ON RING (BLK.)
35	0017-00101-0698	#4-40 x 3/4 SCREW (2 REQ'D.)
36	0090-00128-00XF	SWITCH BRKT. - DOOR TILT
	A090-00061-0000	ANTI-STRING DEVICE ASSY.
	A090-00064-0000	ANTI-PENNY DEVICE ASSY.

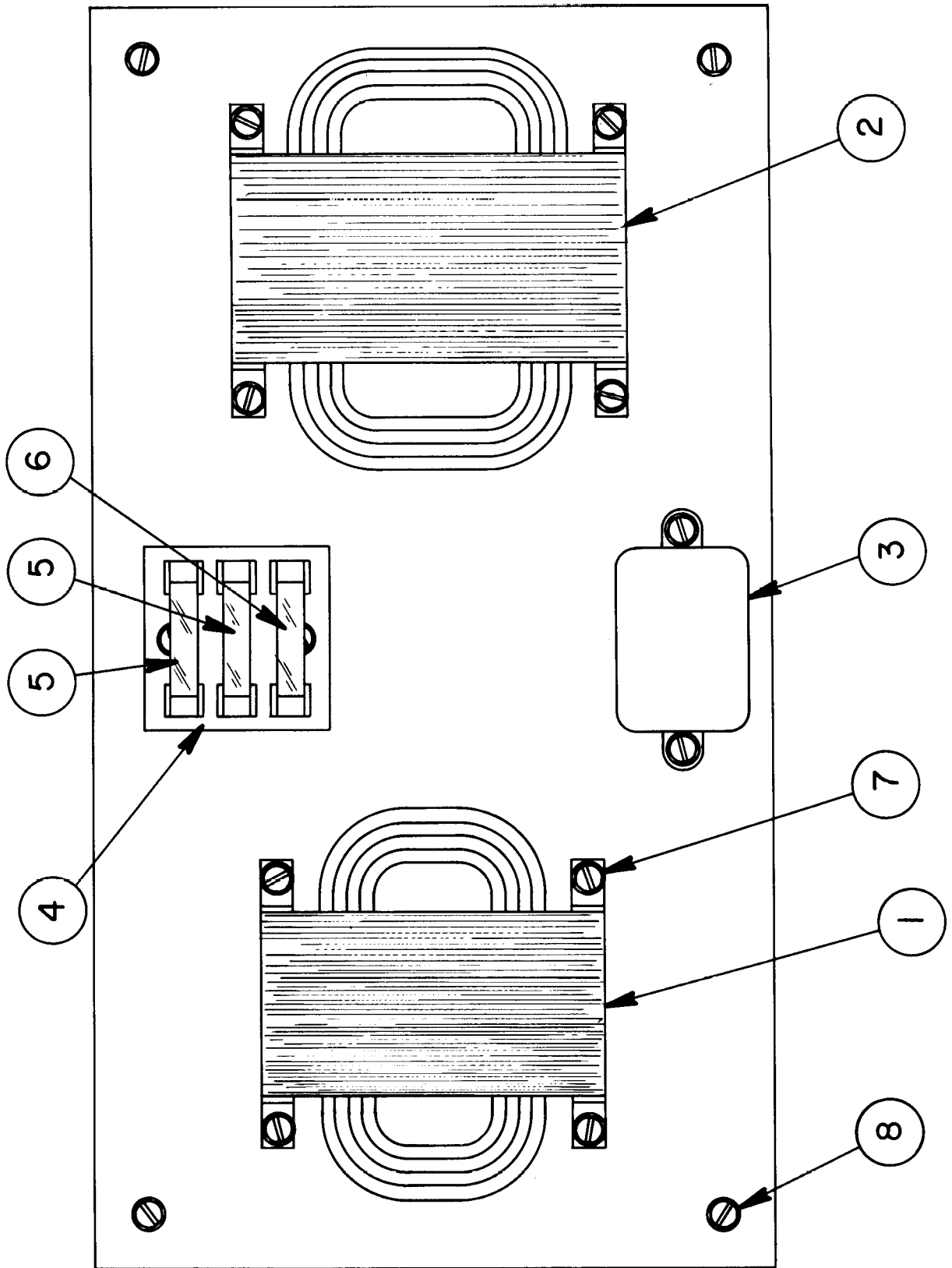
NO. 873 & 926 & 927 GORF U.R., MINI & C.T.—COMMERCIAL CARD RACK ASSY.



ORDER BY PART NUMBER ONLY

ITEM	PART N ^o	DESCRIPTION
1	A789-00003-0000	P.C. RACK ASSY. - RIGHT
2	A789-00004-0000	P.C. RACK ASSY. - LEFT
3	A789-00005-0000	P.C. RACK ASSY. - BASE
4	0789-00100-0000	MTG. BRKT. SUPPORT (2 REQ'D.)
5	0789-00106-0000	RACK STRAP (2 REQ'D.)
6	0017-00101-0099	#6 x 1/4 SLT. HEX HD. SCREW (11 REQ'D.)
7	0017-00104-0019	#6 FLAT WASHER (3 REQ'D.)
8	A082-90006-B000	BACK PANEL P.C. ASSY. (MOTHER BOARD)
9	A082-91356-C000	RAM BOARD ASSY.
10	A082-91354-F000	CPU BOARD ASSY.
11	A082-91355-C000	PATTERN TRANSFER BOARD ASSY.
12	A084-91364-A873	PROGRAMMED ROM/RAM BOARD ASSY.
	A084-90708-C873	GAME LOGIC BOARD ASSY.
	0017-00007-0153	P.C. BOARD SUPPORT (2 REQ'D.) (NOT SHOWN)

NO. 873 & 926 & 927 GORF U.R., MINI & COCKTAIL—TRANSFORMER BD. ASSY.

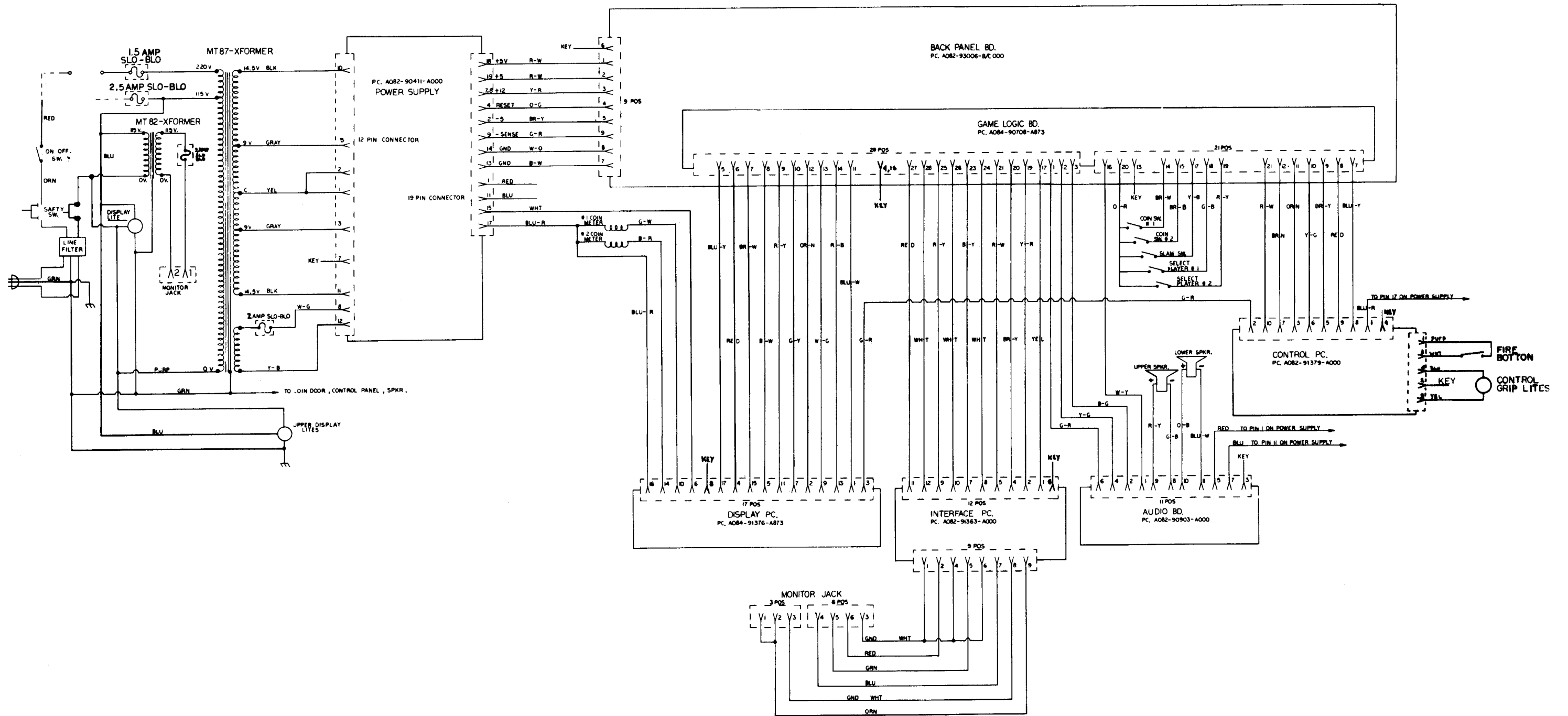


ORDER BY PART NUMBER ONLY

ITEM	PART NO	DESCRIPTION
1	MT00-00085-0000	TRANSFORMER 115V 50HZ (COCKTAIL)
1	MT00-00087-0000	TRANSFORMER 115V (UPRIGHT & MINI)
2	MT00-00091-0000	TRANSFORMER 115/220V (COCKTAIL)
2	MT00-00087-0000	TRANSFORMER 120/240V (UPRIGHT & MINI)
3	0017-00003-0114	NOISE FILTER
4	0720-00001-0300	3 POSITION FUSE CLIP
5	0017-00003-0004	FUSE 2A 250V SLO-BLO (2 REQ'D.)
6	0017-00003-0217	FUSE 2-1/2A 125V SLO-BLO
7	0017-00101-0015	#6 x 1/2 SLT HEX HD. SCREW (12 REQ'D.)
8	0017-00101-0031	#8 x 1 SLT. HEX HD. SCREW (4 REQ'D.)
	A866-00049-0000	LINE CORD ASSY. (NOT SHOWN)

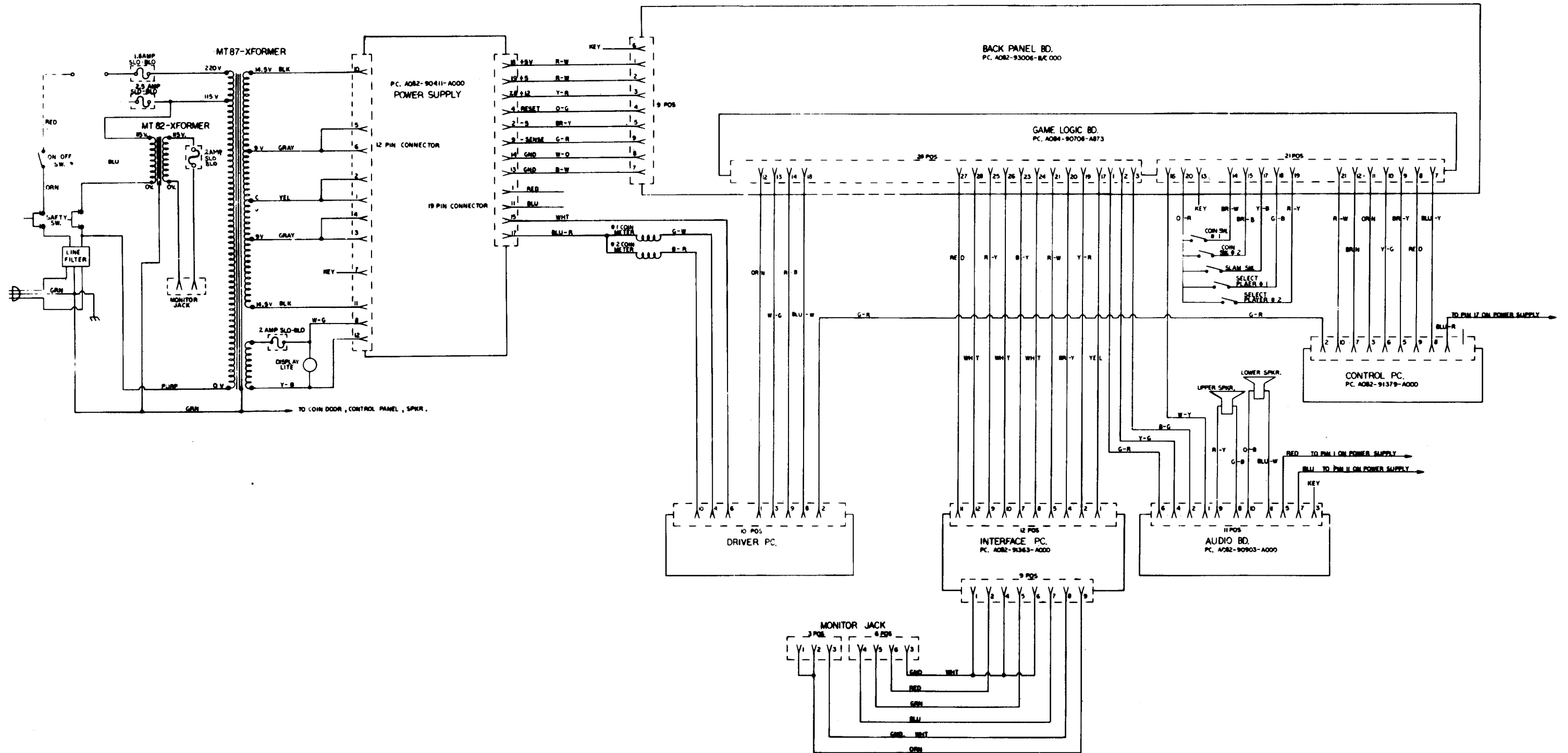
GORF U.R.
 MIDWAY MFG CO.
 10750 W. GRAND AVE.
 FRANKLIN PARK, IL. 60131

WIRING SCHEMATIC # M051-00873-A037



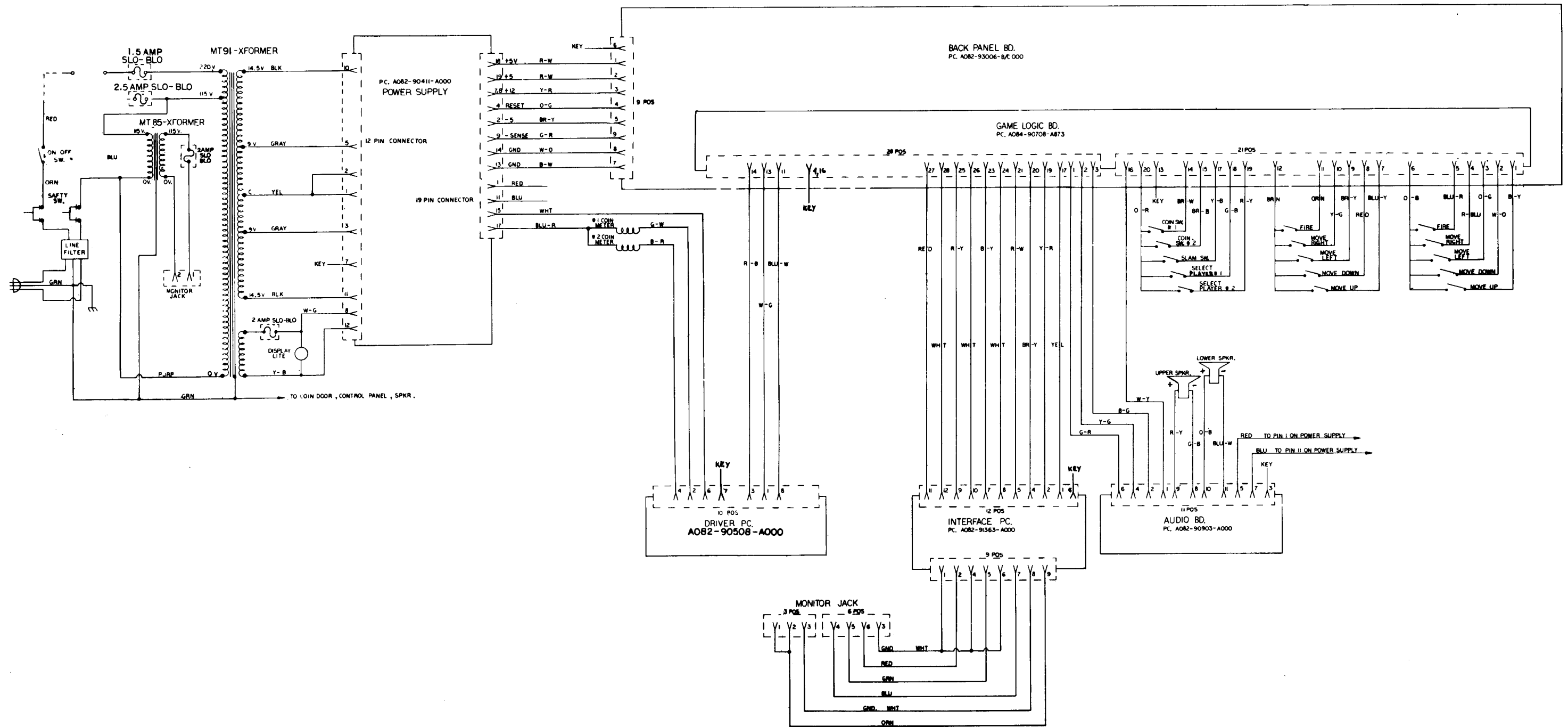
GOLF MINI
 MIDWAY MFG. CO.
 10750 W. GRAND AVE.
 FRANKLIN PARK, IL. 60131

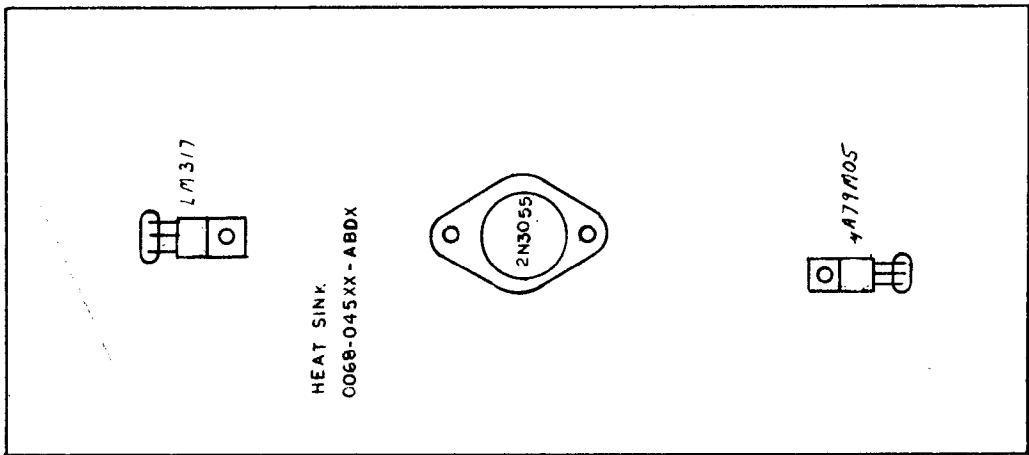
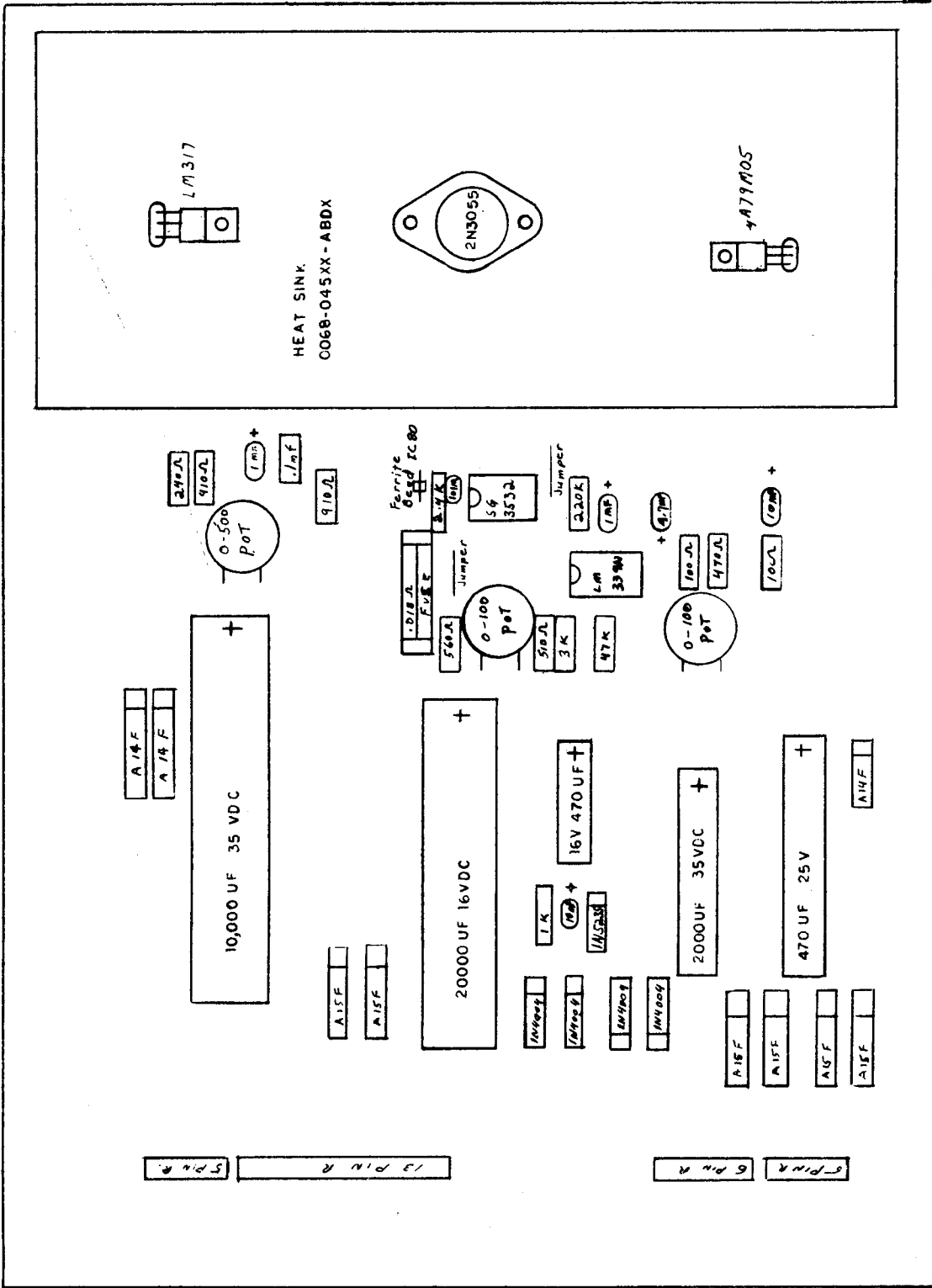
WIRING SCHEMATIC * M051-00926-A025



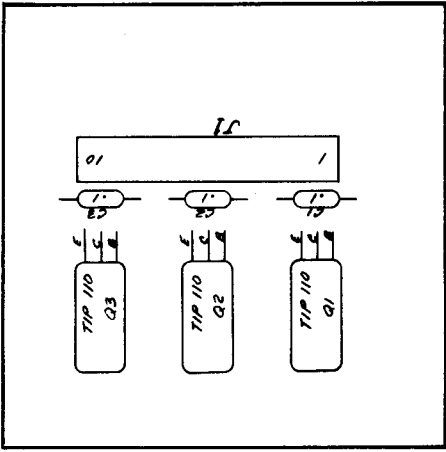
GORF C.T.
 MIDWAY MFG. CO.
 10750 W. GRAND AVE.
 FRANKLIN PARK, IL. 60131

WIRING SCHEMATIC # MC51-00927-A023



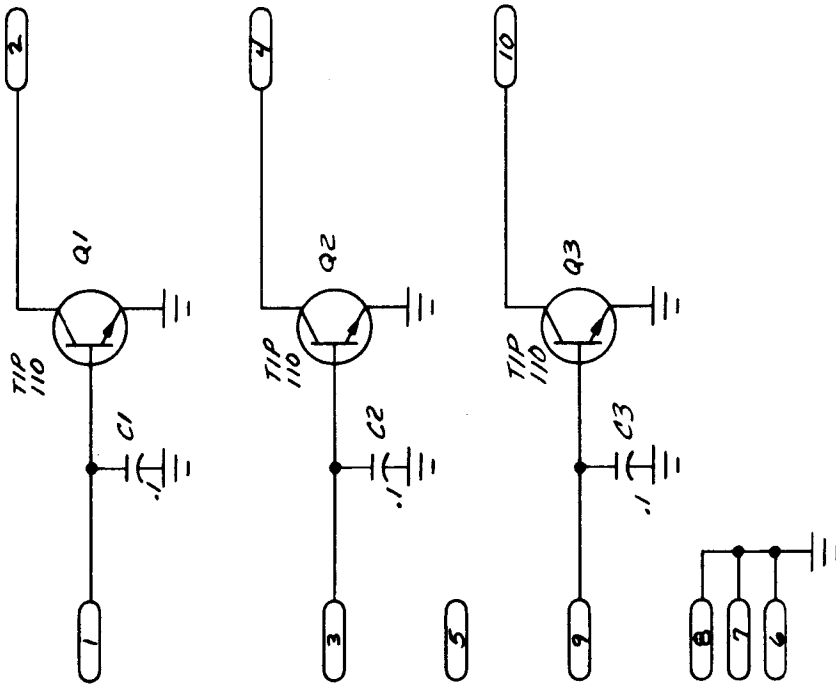


REVISIONS		MIDWAY MFG. CO.	
USED ON		FRANKLIN PK. ILL.	
NO. REQ'D 1		PART NO.	
SCALE		A082-90411 - A000	
HEAT TREAT		POWER SUPPLY	
MATERIAL		ASSY B. DRWG.	
FINISH			
DO NOT SCALE DWG.			
DIM. TOLERANCES UNLESS SPECIFIED			
CONCENTRICITY T.Y.R. .003			
FRACTIONAL 1/64 CKD.			
DECIMAL 0.008			
HOLE DIA +.002-.003		DATE 11 25 80	



M051-0926-A023

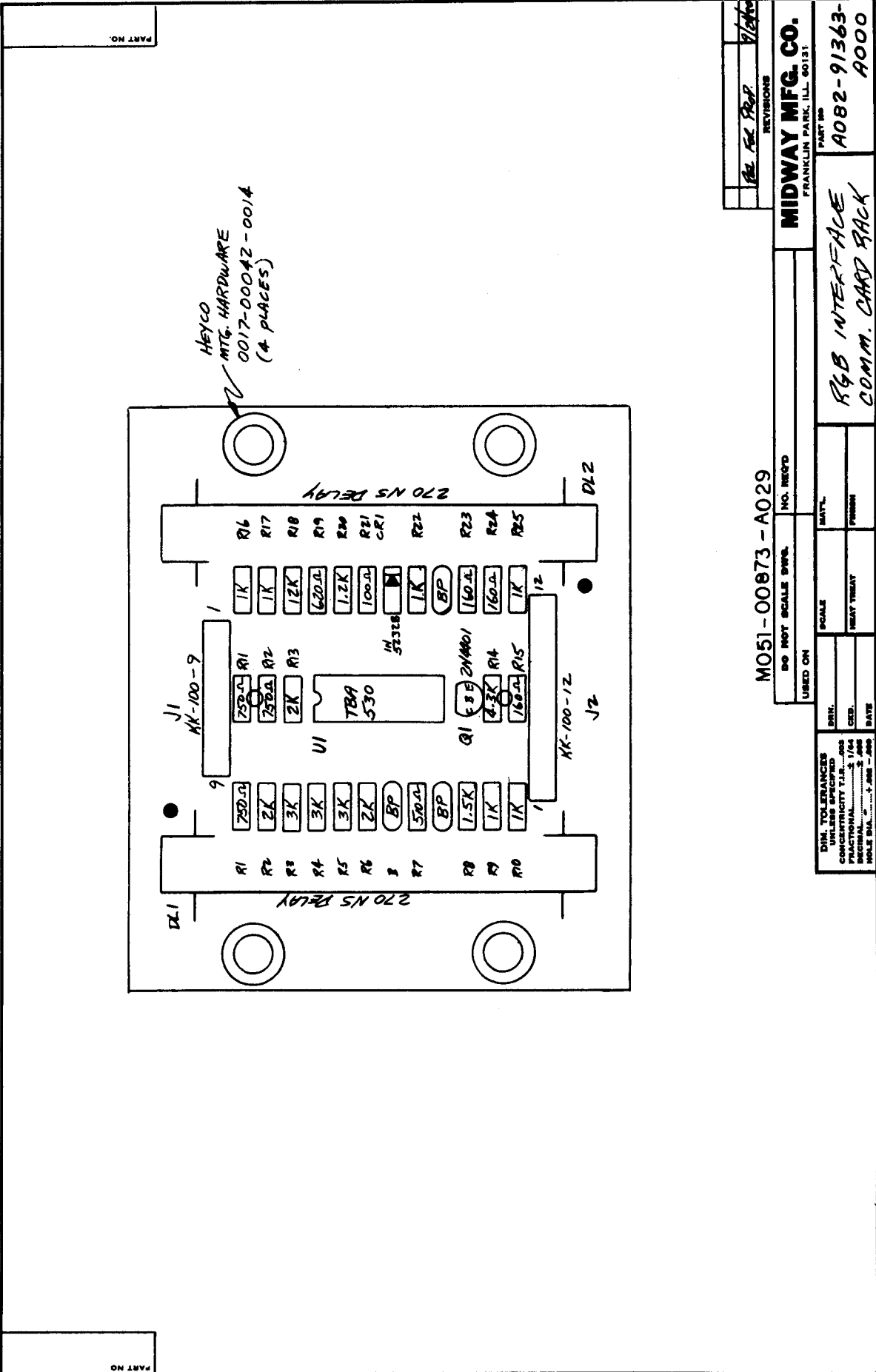
SCALE	DATE	DRAWN BY	TITLE
2/1	9/24/87	JMT	MIDWAY MFG. CO.
MATERIAL	FINISH	FOR	DRIVER
			MINI + CORK TAIL
TOLERANCES	AS SHOWN	NO.	A023 - 90508-0000
APPROVED			



J1

M051-00926-A024

SCALE	DATE	DRAWN BY	MIDWAY MFG. CO.	
	9-17-80	OTTO	TITLE DRIVER BOARD	
			FOR GOLF MINI & COCKTAIL	
			NO 1082-90508-A000	
TOLERANCES				
X1: .01				
X10: .005				
ANGULAR:				
10-10-88		PROD RELEASE		



HEYCO
MFG. HARDWARE
0017-0004Z-0014
(4 PLACES)

REV. A
REV. B
REV. C
REV. D
REV. E
REV. F
REV. G
REV. H
REV. I
REV. J
REV. K
REV. L
REV. M
REV. N
REV. O
REV. P
REV. Q
REV. R
REV. S
REV. T
REV. U
REV. V
REV. W
REV. X
REV. Y
REV. Z

M051-00873-A029

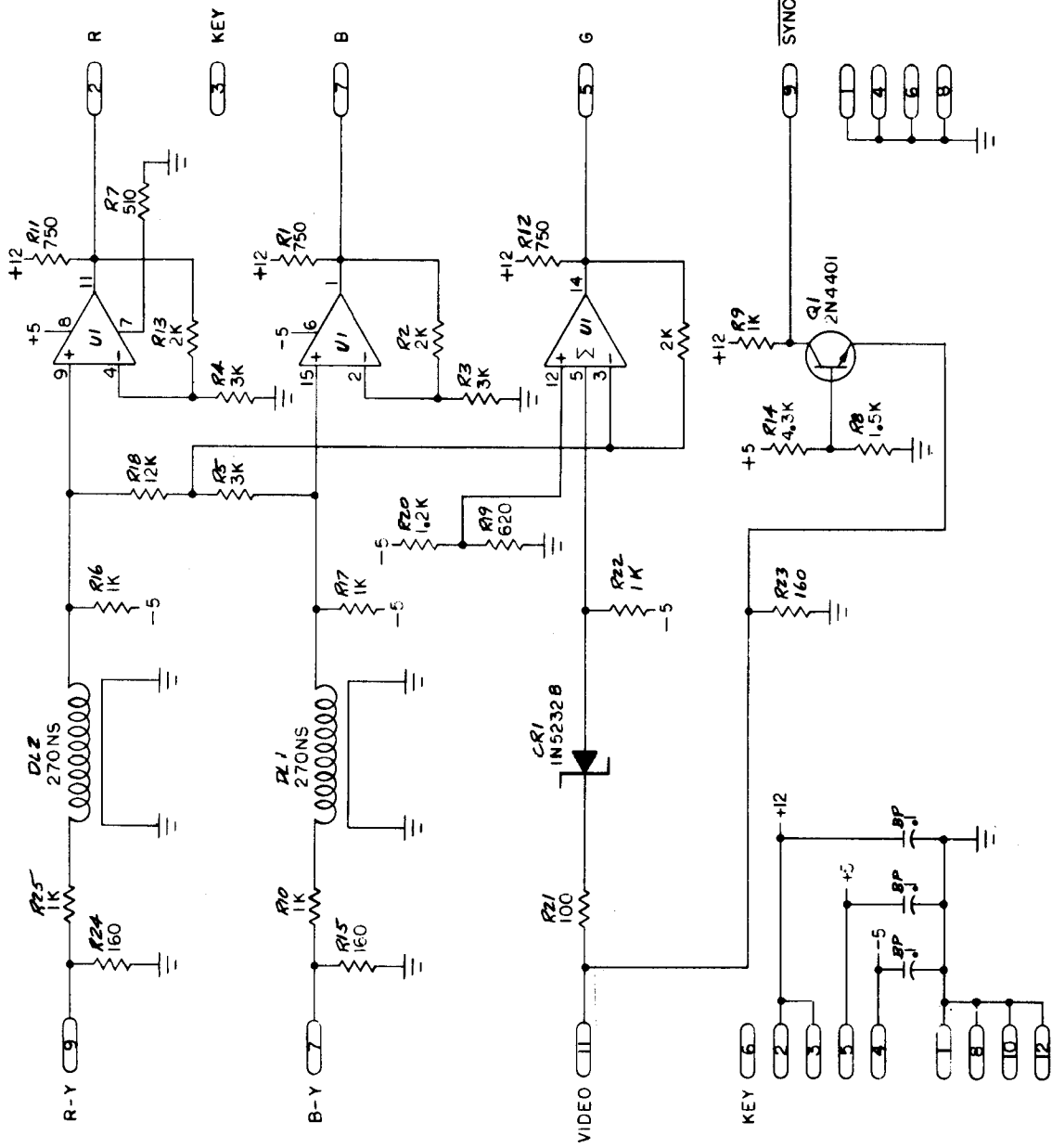
MIDWAY MFG. CO.
FRANKLIN PARK, ILL. 60131

**RGB INTERFACE
COMM. CARD BACK**

NO. NOT SCALE SWP.	NO. RECD	DATE
USED ON	SCALE	SCALE
	TREAT TREAT	PRINT

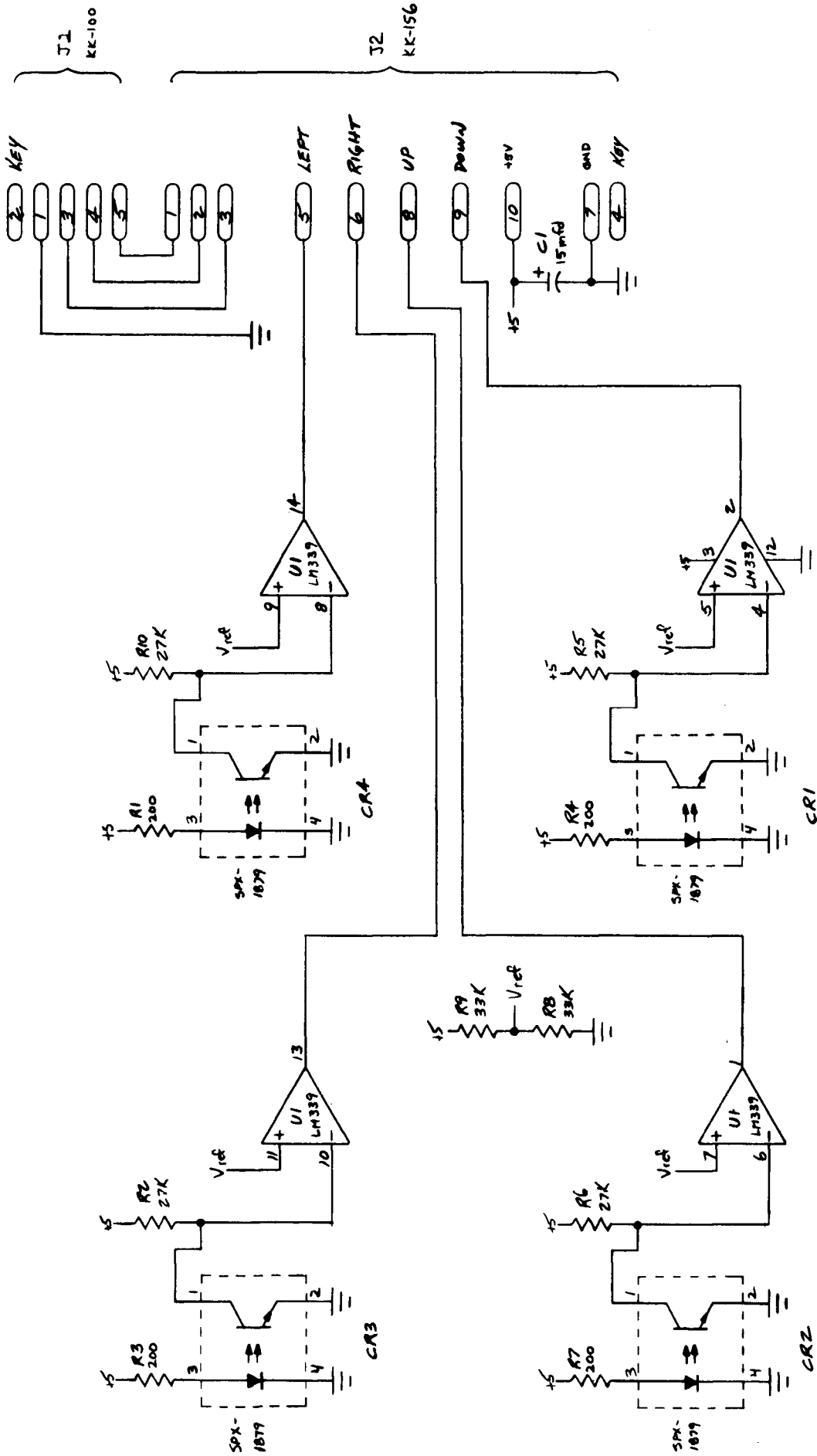
DRN.	DATE
CONVENTIONAL T.I.R.	1/64
FRACTIONAL	3/64
DECIMAL	3/64
HOLE DIA.	3/64

TBA-530



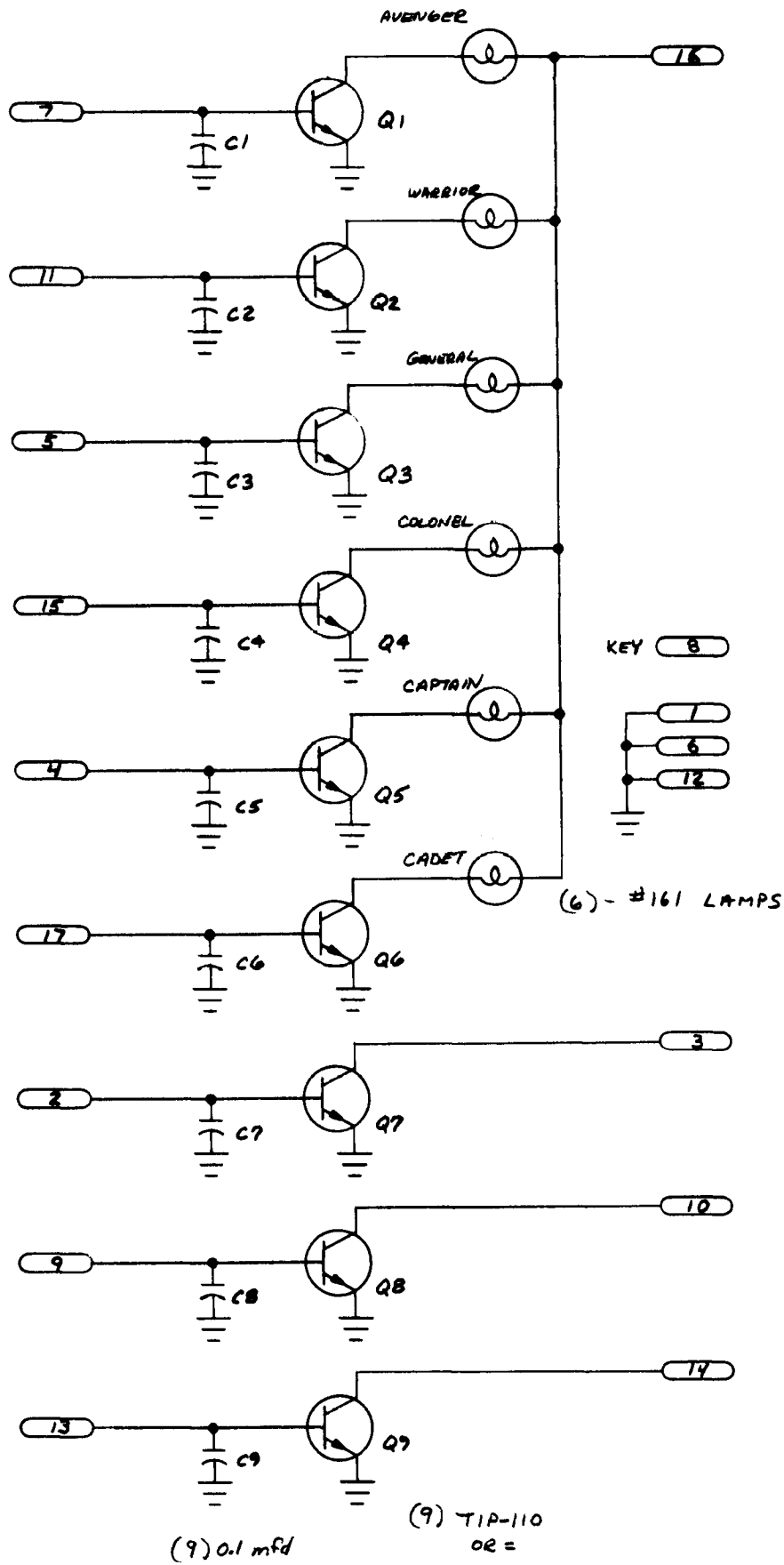
M051-00873-A030

SCALE	DATE	DRAWN BY	TITLE
NONE	8-29-60	OTTO	MIDWAY MFG. C.O.
MATERIAL			RGB INTERFACE
			FOR CCRS
			NO A082-91363-A000
REVISIONS 1 10/1/60 2 10/1/60 3 10/1/60			



MOS1-00873-A025
 MIDWAY MFG. CO.
CONTROL GRIP PC ASSY
 A082-91379-A000

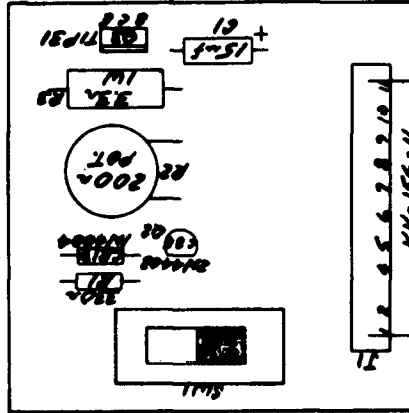
J1



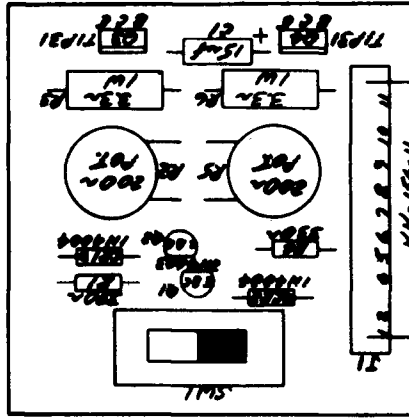
J1

M051-00873-A026

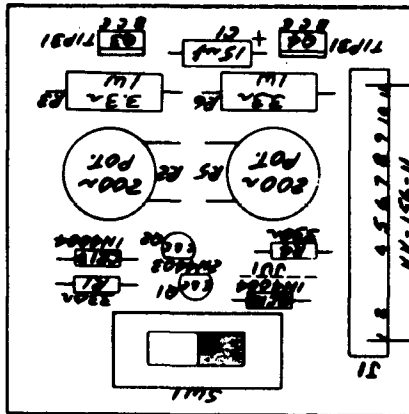
SCALE	DATE	DRAWN BY	MIDWAY MFG. CO.
	9-17-80	OTTO	TITLE DISPLAY BOARD ASSY
MATERIAL	FINISH		FOR GOLF UPRIGHT
FOR APPROVAL	REV. 1: 01		NO 804 - 9/376 - A873
FOR APPROVAL	REV. 2: 008		
FOR APPROVAL	REV. 3: 008		
FOR APPROVAL	REV. 4: 008		
FOR APPROVAL	REV. 5: 008		
FOR APPROVAL	REV. 6: 008		
FOR APPROVAL	REV. 7: 008		
FOR APPROVAL	REV. 8: 008		
FOR APPROVAL	REV. 9: 008		
FOR APPROVAL	REV. 10: 008		
FOR APPROVAL	REV. 11: 008		
FOR APPROVAL	REV. 12: 008		
FOR APPROVAL	REV. 13: 008		
FOR APPROVAL	REV. 14: 008		
FOR APPROVAL	REV. 15: 008		
FOR APPROVAL	REV. 16: 008		
FOR APPROVAL	REV. 17: 008		
FOR APPROVAL	REV. 18: 008		
FOR APPROVAL	REV. 19: 008		
FOR APPROVAL	REV. 20: 008		
FOR APPROVAL	REV. 21: 008		
FOR APPROVAL	REV. 22: 008		
FOR APPROVAL	REV. 23: 008		
FOR APPROVAL	REV. 24: 008		
FOR APPROVAL	REV. 25: 008		
FOR APPROVAL	REV. 26: 008		
FOR APPROVAL	REV. 27: 008		
FOR APPROVAL	REV. 28: 008		
FOR APPROVAL	REV. 29: 008		
FOR APPROVAL	REV. 30: 008		
FOR APPROVAL	REV. 31: 008		
FOR APPROVAL	REV. 32: 008		
FOR APPROVAL	REV. 33: 008		
FOR APPROVAL	REV. 34: 008		
FOR APPROVAL	REV. 35: 008		
FOR APPROVAL	REV. 36: 008		
FOR APPROVAL	REV. 37: 008		
FOR APPROVAL	REV. 38: 008		
FOR APPROVAL	REV. 39: 008		
FOR APPROVAL	REV. 40: 008		
FOR APPROVAL	REV. 41: 008		
FOR APPROVAL	REV. 42: 008		
FOR APPROVAL	REV. 43: 008		
FOR APPROVAL	REV. 44: 008		
FOR APPROVAL	REV. 45: 008		
FOR APPROVAL	REV. 46: 008		
FOR APPROVAL	REV. 47: 008		
FOR APPROVAL	REV. 48: 008		
FOR APPROVAL	REV. 49: 008		
FOR APPROVAL	REV. 50: 008		
FOR APPROVAL	REV. 51: 008		
FOR APPROVAL	REV. 52: 008		
FOR APPROVAL	REV. 53: 008		
FOR APPROVAL	REV. 54: 008		
FOR APPROVAL	REV. 55: 008		
FOR APPROVAL	REV. 56: 008		
FOR APPROVAL	REV. 57: 008		
FOR APPROVAL	REV. 58: 008		
FOR APPROVAL	REV. 59: 008		
FOR APPROVAL	REV. 60: 008		
FOR APPROVAL	REV. 61: 008		
FOR APPROVAL	REV. 62: 008		
FOR APPROVAL	REV. 63: 008		
FOR APPROVAL	REV. 64: 008		
FOR APPROVAL	REV. 65: 008		
FOR APPROVAL	REV. 66: 008		
FOR APPROVAL	REV. 67: 008		
FOR APPROVAL	REV. 68: 008		
FOR APPROVAL	REV. 69: 008		
FOR APPROVAL	REV. 70: 008		
FOR APPROVAL	REV. 71: 008		
FOR APPROVAL	REV. 72: 008		
FOR APPROVAL	REV. 73: 008		
FOR APPROVAL	REV. 74: 008		
FOR APPROVAL	REV. 75: 008		
FOR APPROVAL	REV. 76: 008		
FOR APPROVAL	REV. 77: 008		
FOR APPROVAL	REV. 78: 008		
FOR APPROVAL	REV. 79: 008		
FOR APPROVAL	REV. 80: 008		
FOR APPROVAL	REV. 81: 008		
FOR APPROVAL	REV. 82: 008		
FOR APPROVAL	REV. 83: 008		
FOR APPROVAL	REV. 84: 008		
FOR APPROVAL	REV. 85: 008		
FOR APPROVAL	REV. 86: 008		
FOR APPROVAL	REV. 87: 008		
FOR APPROVAL	REV. 88: 008		
FOR APPROVAL	REV. 89: 008		
FOR APPROVAL	REV. 90: 008		
FOR APPROVAL	REV. 91: 008		
FOR APPROVAL	REV. 92: 008		
FOR APPROVAL	REV. 93: 008		
FOR APPROVAL	REV. 94: 008		
FOR APPROVAL	REV. 95: 008		
FOR APPROVAL	REV. 96: 008		
FOR APPROVAL	REV. 97: 008		
FOR APPROVAL	REV. 98: 008		
FOR APPROVAL	REV. 99: 008		
FOR APPROVAL	REV. 100: 008		



MONO
AUDIO AMP BOARD ASSEMBLY
AOBZ-20204-A002

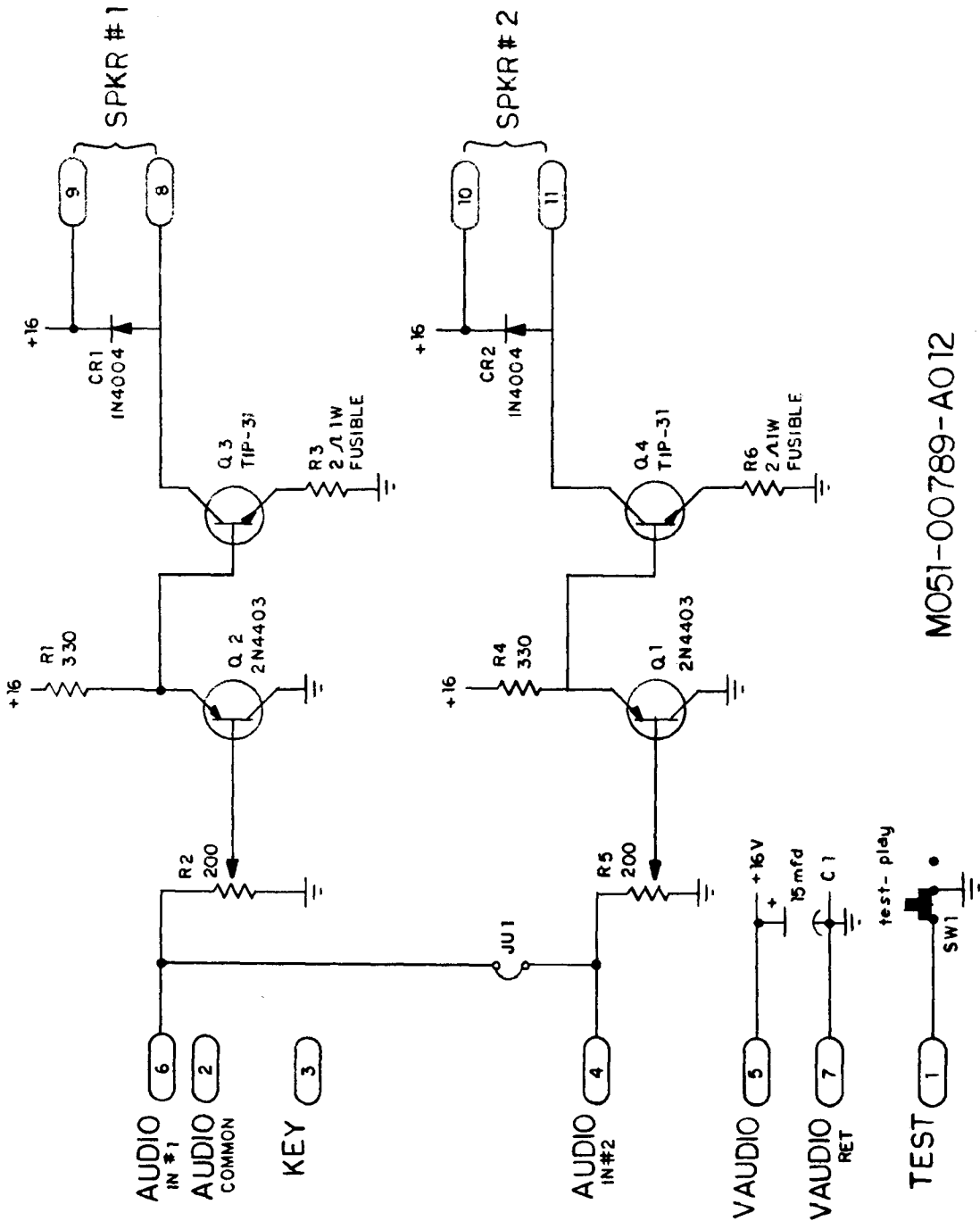


STEREO
AUDIO AMP BOARD ASSEMBLY
AOBZ-20203-A002



DUAL MONO
AUDIO AMP BOARD ASSEMBLY
AOBZ-20205-A002

MO51-00789-A013



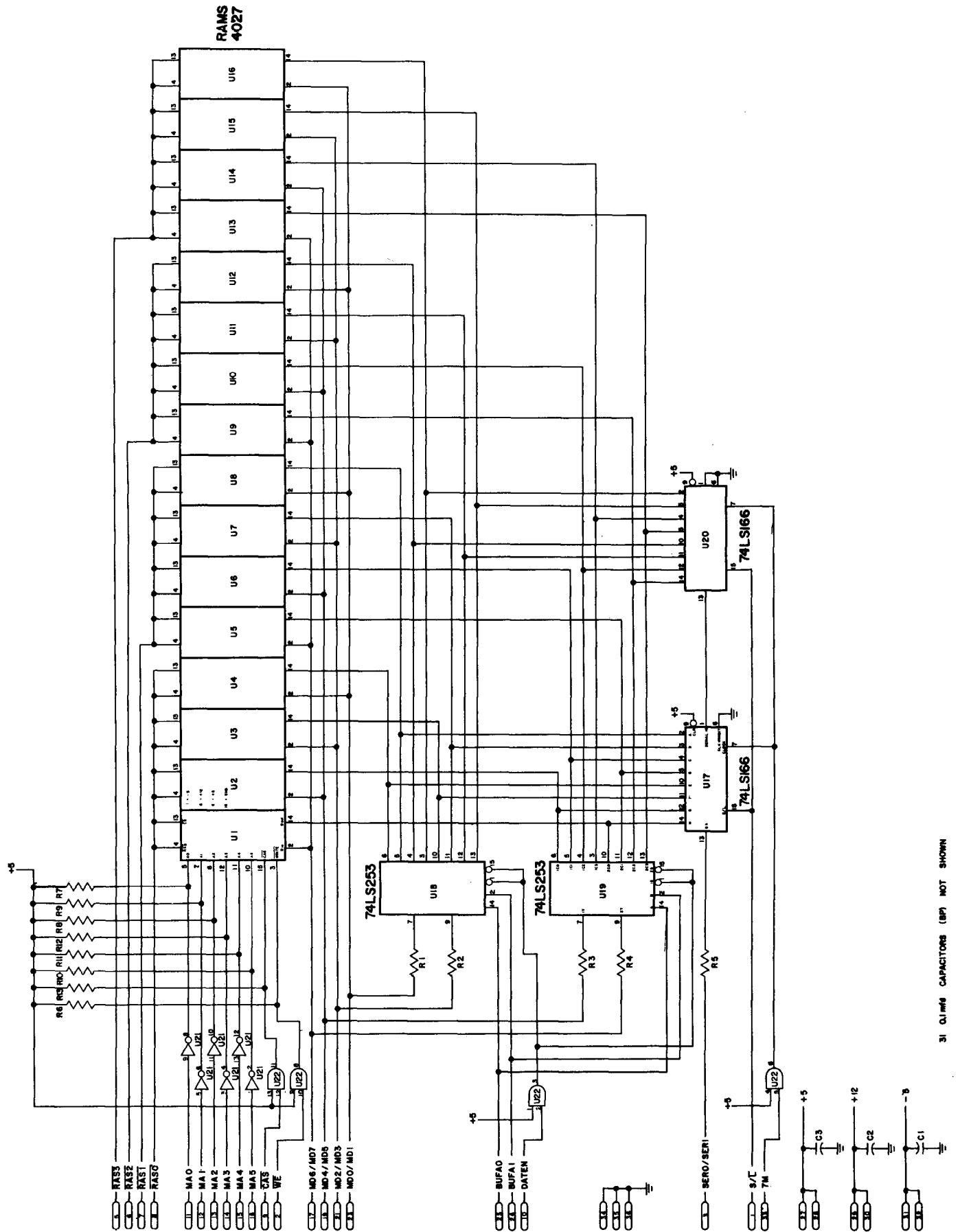
NOTE*
 * FOR MONO 1/2 CIRCUIT SHOWN IS USED
 FOR DUAL MONO BOTH CIRCUITS ARE
 USED JUMPER JU1 IS USED
 FOR STEREO BOTH CIRCUITS ARE
 USED JUMPER JU1 IS NOT USED

M051-00789-A012

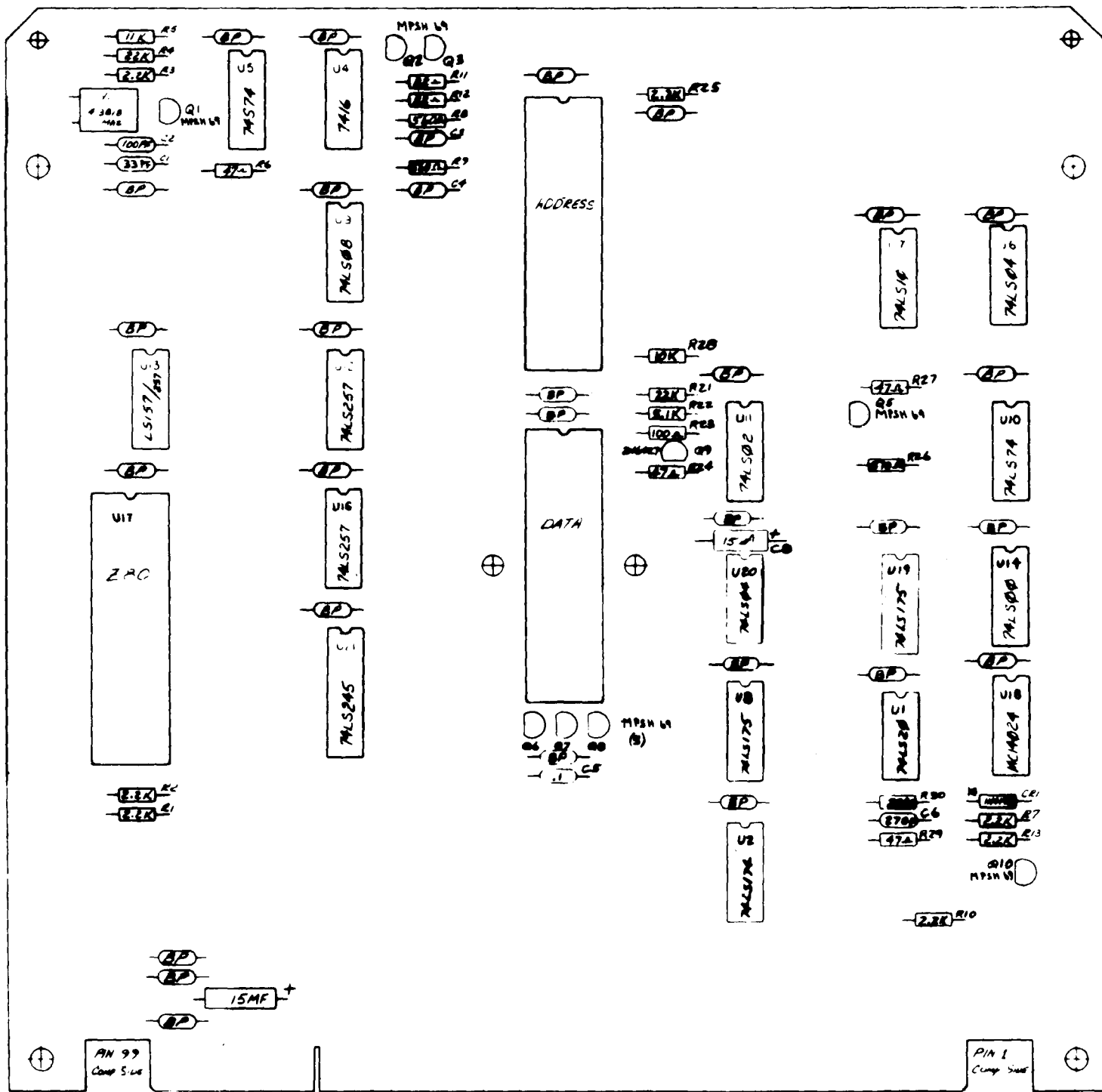
AUDIO AMP BOARD

PART NO.

A082-90903-A000



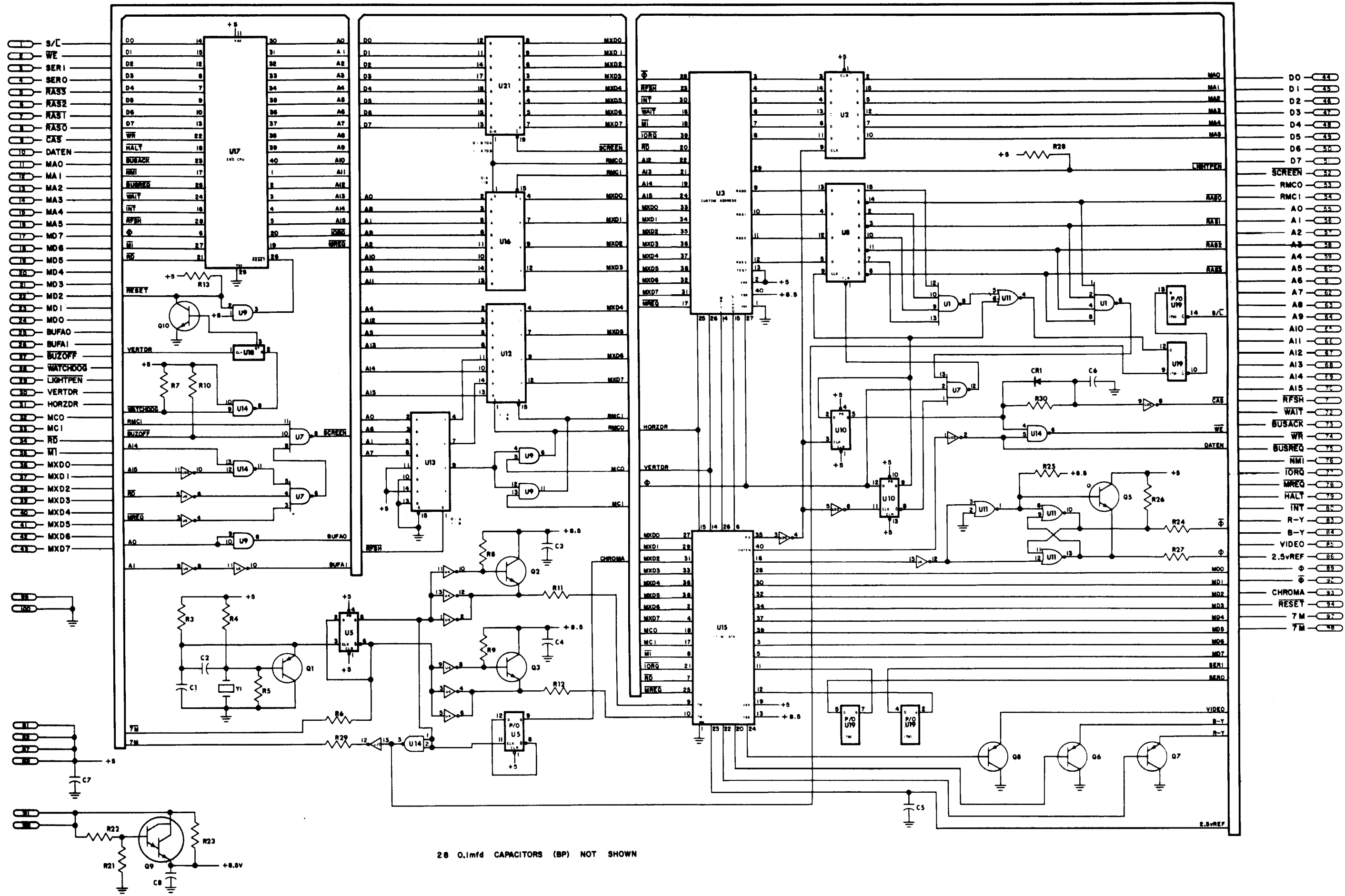
31 01 mF6 CAPACITORS (BP) NOT SHOWN



Component Side

M051-00789-F006

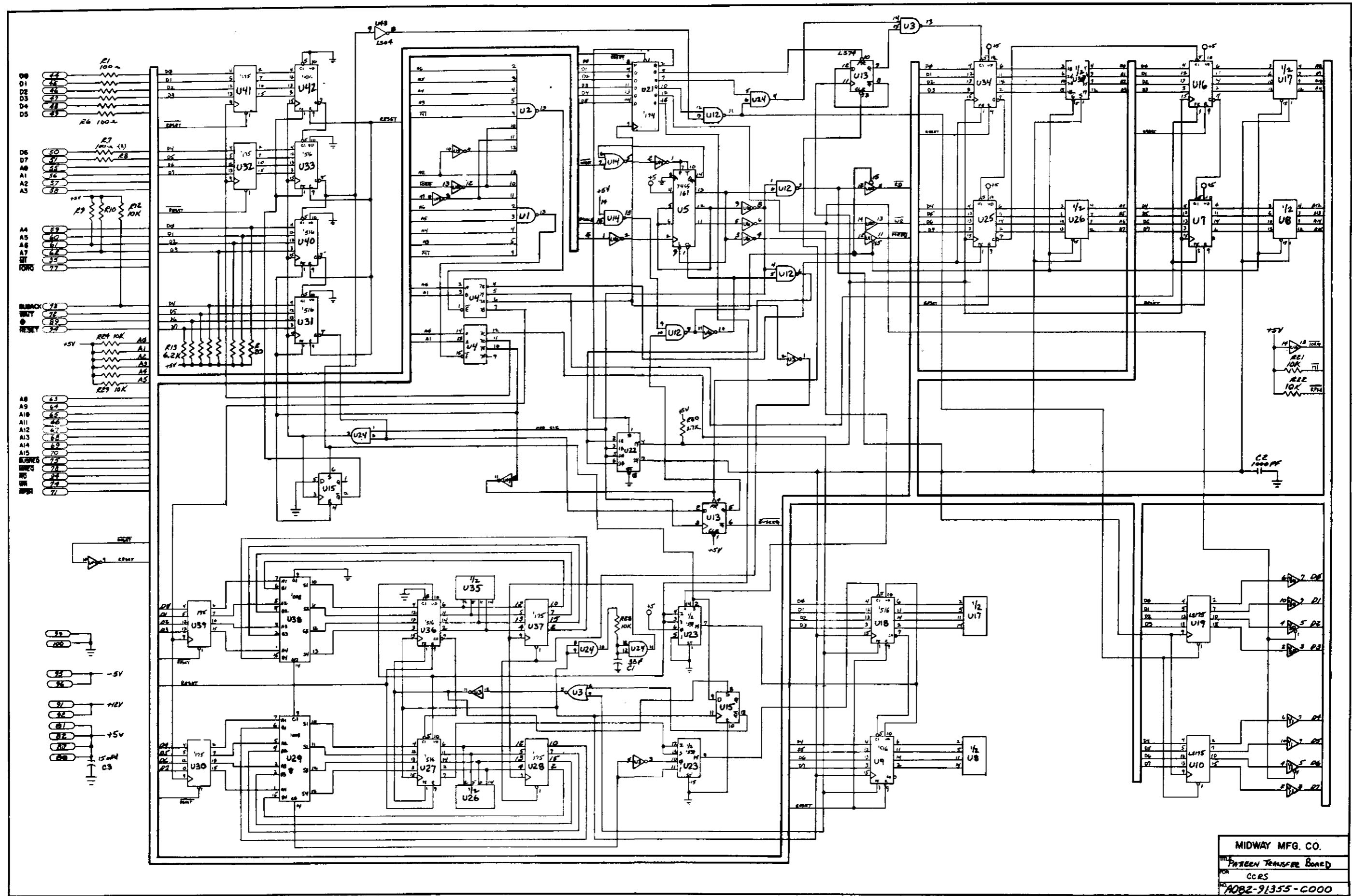
REV	DATE	BY	CHKD	APPR	QTY	DESCRIPTION
1	3-18-70	2-1	2-7	KEF		MIDWAY MFG. CO.
2	4-18-70					CPU BOARD
3	7-15-70					Comm Card Rack
						A062-91954-F000



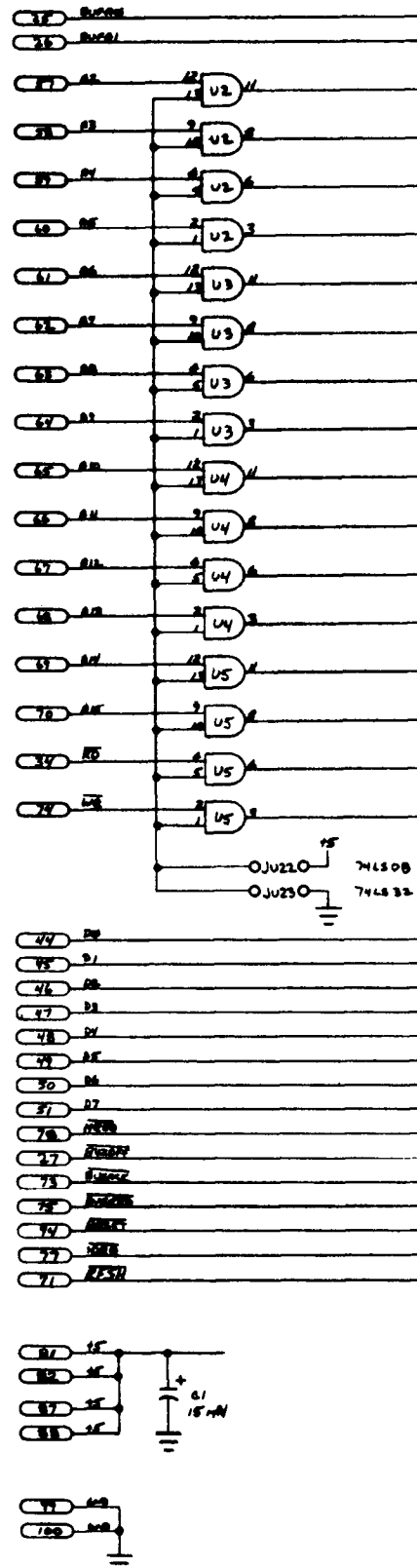
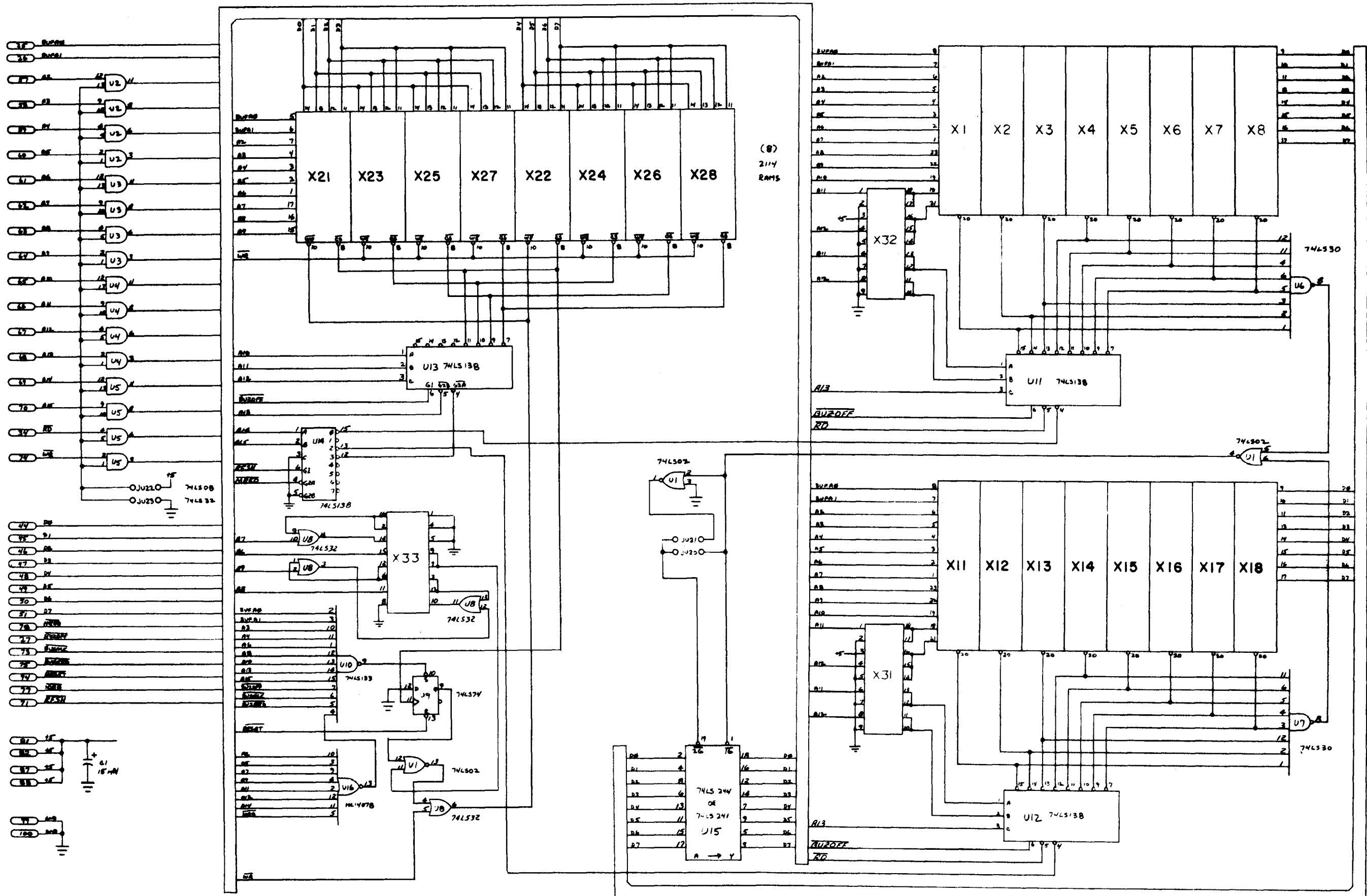
28 0.1mf CAPACITORS (BP) NOT SHOWN

A082-91354-F000
M051-00789-F005

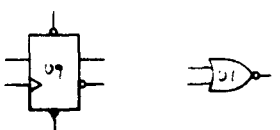
CPU BOARD



MIDWAY MFG. CO.
 GREEN TRANSFER BOARD
 FOR
 CCBS
 A082-91355-G000



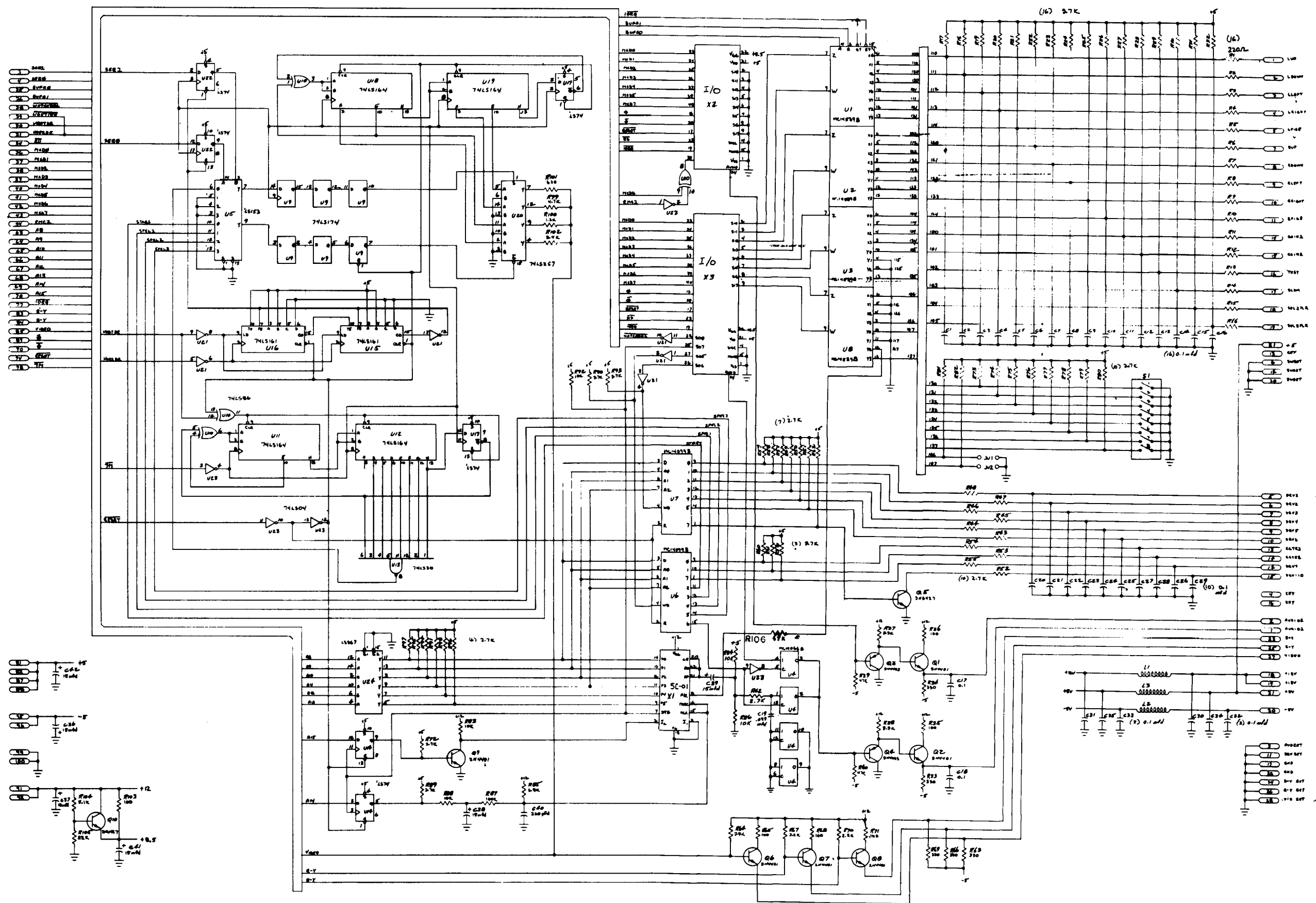
NOT USED



M051-00873-A033

DATE	REV	BY	CHKD	APPROV
MIDWAY MFG. CO.				
THE RAM/RAM CARD				
GORE				
A992-71364-R000				

DOMESTIC



*C VERSION LOGIC HAS 47K RESISTOR THAT IS IN TRACE OF PIN-8 OF SC-01 IN THE B VERSION THE 47K IS SHORTED

GOLF GAME BOARD
A084-90708-C873

M051-00873-C024

Monitor schematics and parts lists omitted

GORF GAME BOARD**PC A084-90708-A873**

CHIP NUMBER	FUNCTION
74LS04	Hex inverter
74LS30	8 input Nand
74LS74	Dual "D" Flip-Flop
74LS86	Quad 2 input exclusive or
74LS153	Dual 4 to 1 line multiplexer
74LS161	4 bit binary counter
74LS164	8 bit shift register
74LS174	Hex "D" Flip-Flop
74LS257	Quad 2 to 1 line multiplexer - tri-state
74LS367	Hex bus driver - tri-state
0066-117XX (2720)	Custom I/O chip
MC14066	Quad bilateral switch - Cmos
MC14099	8 bit addressable latch - Cmos
MC14539	Dual 4 to 1 line multiplexer - Cmos
SC01	Voice sound generator
Additional Devices	
2N4401	NPN transistor
2N4403	PNP transistor
2N6427	NPN transistor
L1, L2, L3	10 uH choke

RGB INTERFACE**PC A082-91363-A000**

TBA530	Op-Amp
Additional Devices	
2N4401	NPN transistor

CONTROL GRIP ASSEMBLY**A082-91379-A000**

LM339	Voltage comparator
Additional Devices	
Spx11879-11	Sensor

GORF ROM/RAM BOARD**PC A082-91364-A000**

CHIP NUMBER	FUNCTION
74LS02	Quad 2 input Nor
74LS08	Quad 2 input And
74LS30	8 input Nand
74LS32	Quad 2 input Or
74LS74	Dual "D" Flip-Flop
74LS133	13 input Nand
74LS138	3 to 8 line decoder/multiplexer
74LS244	Octal buffer
MC14078	8 input Nor - Cmos
2114	1K x 4 - Ram
9332	4K x 8 - Rom

CPU BOARD**PC A082-91354-C000**

74LS00	Quad 2 input Nand
74LS02	Quad 2 input Nor
74LS04	Hex inverter
74LS08	Quad 2 input And
74LS10	Triple 3 input Nand
74LS20	Dual 4 input Nand
74LS74	Dual "D" Flip-Flop
74LS157	Quad 2 input multiplexer
74LS174	Hex "D" Flip-Flop
74LS175	Quad "D" Flip-Flop
Z80	CPU
2719-(0066-115)	Address custom chip
2721-(0066-116)	Data custom chip
74LS245	Octal bus transceiver
74LS257	Quad 2 input multiplexer
74LS74	Dual "D" Flip-Flop
7416	Hex buffer
MC14024	7 stage ripple counter
Additional Devices	
2N4401	NPN transistor
T1S-137	PNP transistor
IN4004	Diode
IN4148	Diode
14.31818	Crystal

PATTERN BOARD
PC A082-91355-C000

CHIP NUMBER	FUNCTION
74LS00	Quad 2 input Nand
74LS04	Hex inverter
74LS74	Dual "D" Flip-Flop
74LS157	Quad 2 input multiplexer
74LS161	4 bit binary counter
74LS175	Quad "D" Flip-Flop
74LS257	Quad 2 input multiplexer
74LS367	Hex bus driver
CD4555	Dual binary 1 or 4 decoder
MC14008	4 bit full adder
MC14013	Dual "D" Flip-Flop
MC14068	8 input Nand
MC14174	Hex "D" Flip-Flop
MC14175	Quad "D" Flip-Flop
MC14516	Binary up/down counter
MC14539	Dual 4 input multiplexer
MC14572	Multiple gate package

RAM BOARD
PC 082-91356-C000

74LS08	Quad 2 input And
74LS14	Hex schmitt trigger
74LS166	Parallel to serial shift register
74LS253	Dual 4 input multiplexer
MK4027 (MK4015)	RAM

AUDIO AMPLIFIER BOARD
PC A082-90903-A000

2N4403	PNP transistor
TIP 31	NPN transistor
IN4004	Diode

POWER SUPPLY
PC A082-90411-A000

LM317	Voltage regulator
LM339	Quad voltage comparator
SG3532	General purpose regulator
Additional Devices	
79M05	Negative five voltage regulator
IN3235	Zener diode
2N3055	NPN transistor

NOTE: When an IC is a LS, it should be replaced by a LS device (low schottky).

STRAPPING CHART

ROM / RAM BOARD

DOMESTIC FOR ROMS

	1	2	3	4	5	6	7	8	9
X-31	CLOSED	OPEN	OPEN	OPEN	CLOSED	OPEN	CLOSED	CLOSED	OPEN
X-32									
X-33	CLOSED	OPEN	CLOSED	OPEN	OPEN	CLOSED	CLOSED	OPEN	

DOMESTIC FOR PROMS

	1	2	3	4	5	6	7	8	9
X-31	CLOSED	OPEN	CLOSED	OPEN	OPEN	OPEN	CLOSED	CLOSED	OPEN
X-32									
X-33	CLOSED	OPEN	CLOSED	OPEN	OPEN	CLOSED	CLOSED	OPEN	

FOREIGN ROMS

	1	2	3	4	5	6	7	8	9
X-31	CLOSED	OPEN	CLOSED	OPEN	OPEN	CLOSED	OPEN	CLOSED	OPEN
X-32	CLOSED	OPEN	OPEN	OPEN	CLOSED	CLOSED	OPEN	CLOSED	OPEN
X-33	CLOSED	OPEN	CLOSED	OPEN	OPEN	CLOSED	CLOSED	OPEN	

RAM/ROM BOARD

CUT	JUMPER	JU 20	FOR	74LS241	LOCATION	U15
* CUT	JUMPER	JU 21	FOR	74LS244	LOCATION	U15
CUT	JUMPER	JU 22	FOR	74LS32	LOCATIONS	U2, U3, U4, U5
* CUT	JUMPER	JU 23	FOR	74LS08	LOCATIONS	U2, U3, U4, U5

GORF GAME BOARD

CUT	JUMPER	JU 2	FOR	VOCAL SOUND
	JUMPER	JU 1	IN	FOR COCKTAIL
	JUMPER	JU 1	OUT	FOR UPRIGHT