



Sega Service
9/10/02

Gun II Input Protection Board:

Thank you for purchasing the New Gun II Input Protection Board. Please be aware this board is not intended to fix a defective Gun or Gun Sense Board. Before installing this board the Gun and it's associated circuit must be in good working order.

The objective of this Gun Input Protection Board is to prevent or minimize damage that may occur to the Gun Sense and Led boards.

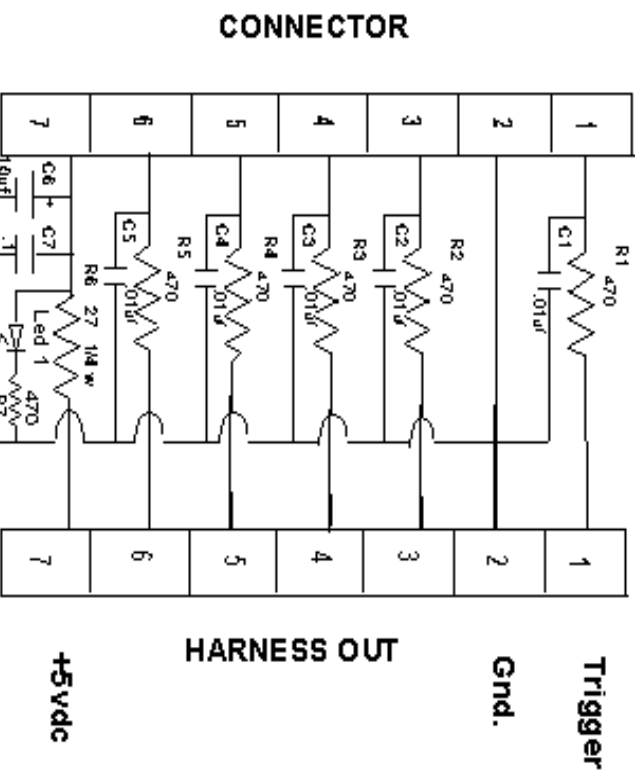
Installation:

1. Turn Power to the Game OFF.
2. Located Player 1 and Player 2 Gun inputs (GUN1P and GUN2P) on the Gun Sense board.
3. Unplug both Gun harnesses that plug into the Gun sense board
4. Remove the Gun Input Protection Board (GIPB) from its package. From the GIPB, plug the harnesses labeled GUN1P and GUN2P into the Gun Sense board.
5. Plug Player 1 (Blue Gun) into connector labeled GUN1P on the Gun Input Protection Board.
6. Plug Player 2 (Red Gun) into connector labeled GUN2P on the Gun Input Protection Board.
7. Using the four screws and spacers (provided) mount the Gun Input Protection Board in a convenient location next to the Gun sense board.

Finally:

Enter Self-test, select Gun Settings and calibrate the Gun settings.

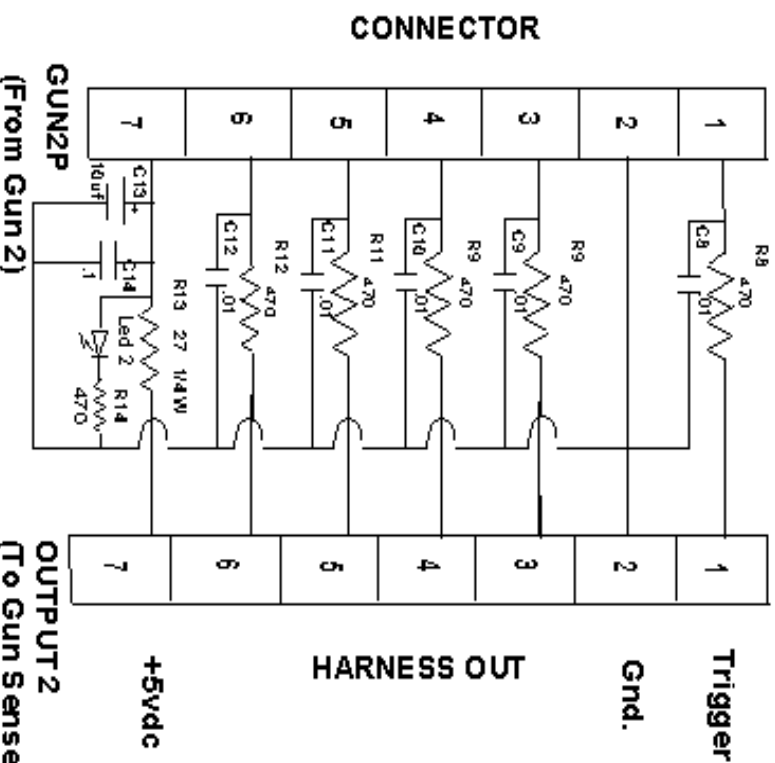
Again, thank you for supporting Sega Enterprises and if you have any questions please call Sega Service at 415 701 6580.



GUN1P
(From Gun 1)

OUTPUT 1
(To Gun Sense Board)

R1,R2,R3,R4,R5,R7,R8,R9,R11,R12,R13	470 OHM 1/8W
R6,R13	27 OHM 1/4W
C1,C2,C3,C4,C5,C8,C9,C10,C11,C12.	.015uF 16V
C7,C14	.1uF 16V
C6,C13	10uF 16V
Harness	(Output 1 & 2)
Connector	Gun1P & Gun2P
	7B-XH-A



GUN2P
(From Gun 2)

OUTPUT 2
(To Gun Sense Board)

Gun Input Protection Board

Sega Service
June 7th 2002