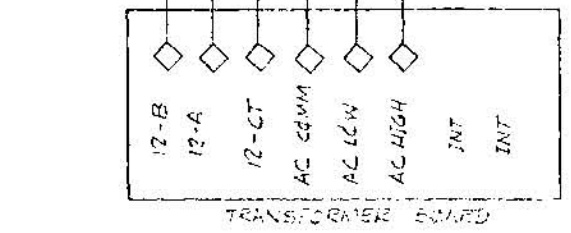
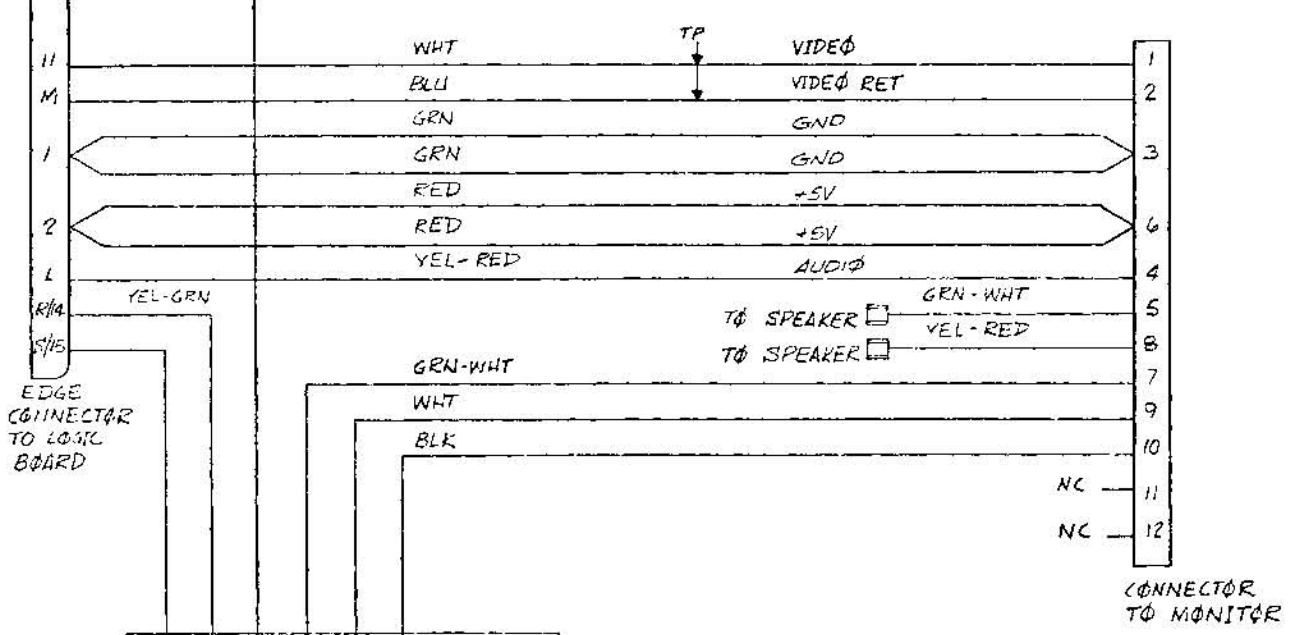
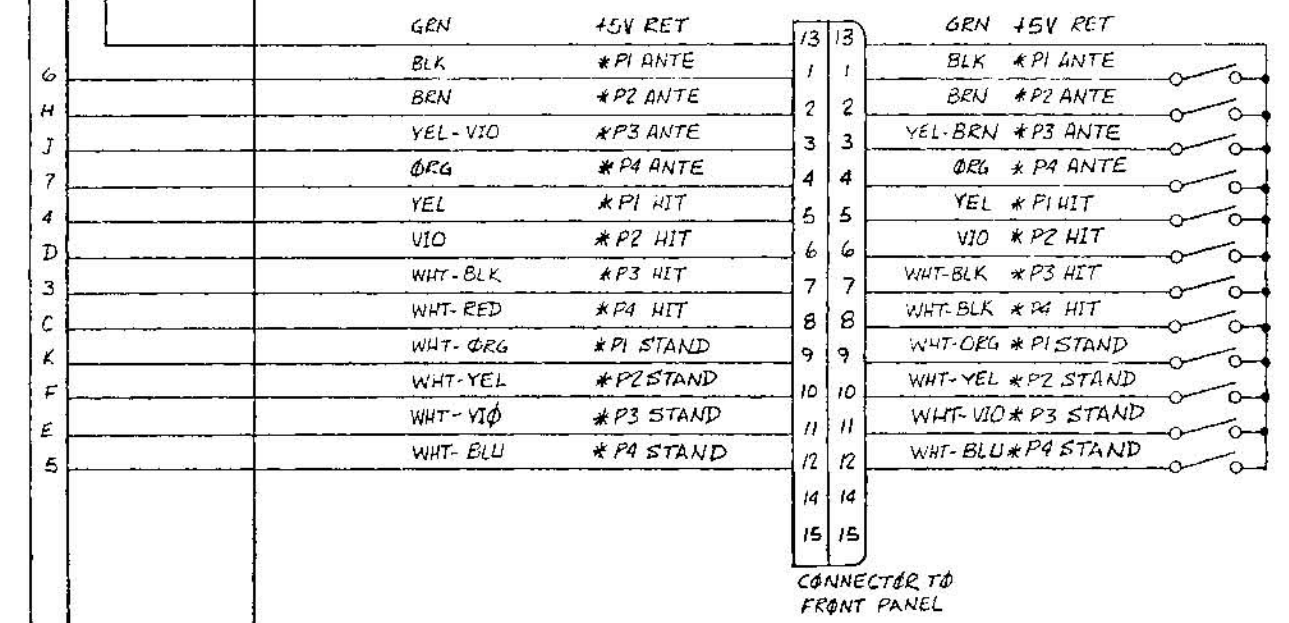
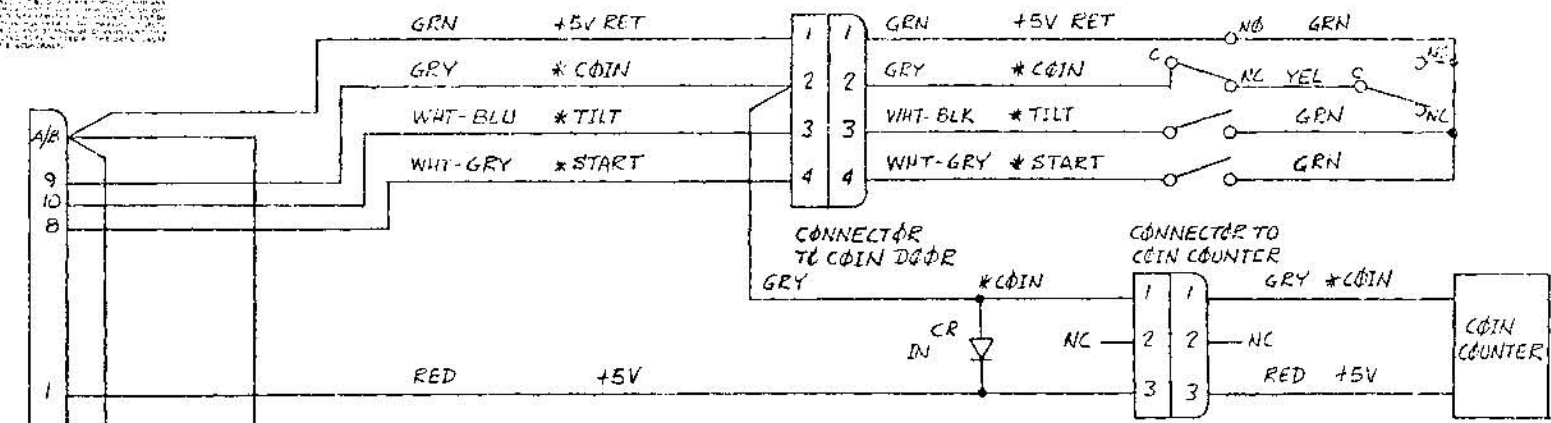


REVISIONS			
LTG	DESCRIPTION	APVD	DATE



LEGEND
 ◇ = SPADE LUG
 □ = SLIP ON LUG

QTY	PART NO.	ITEM DESCRIPTION	REV

LIST OF MATERIALS			
TOLERANCES	DO NOT SCALE DRAWINGS		
UNLESS OTHERWISE SPECIFIED ALL DIMENSIONS ARE TO BE HONORED	SIGNATURE	DATE	

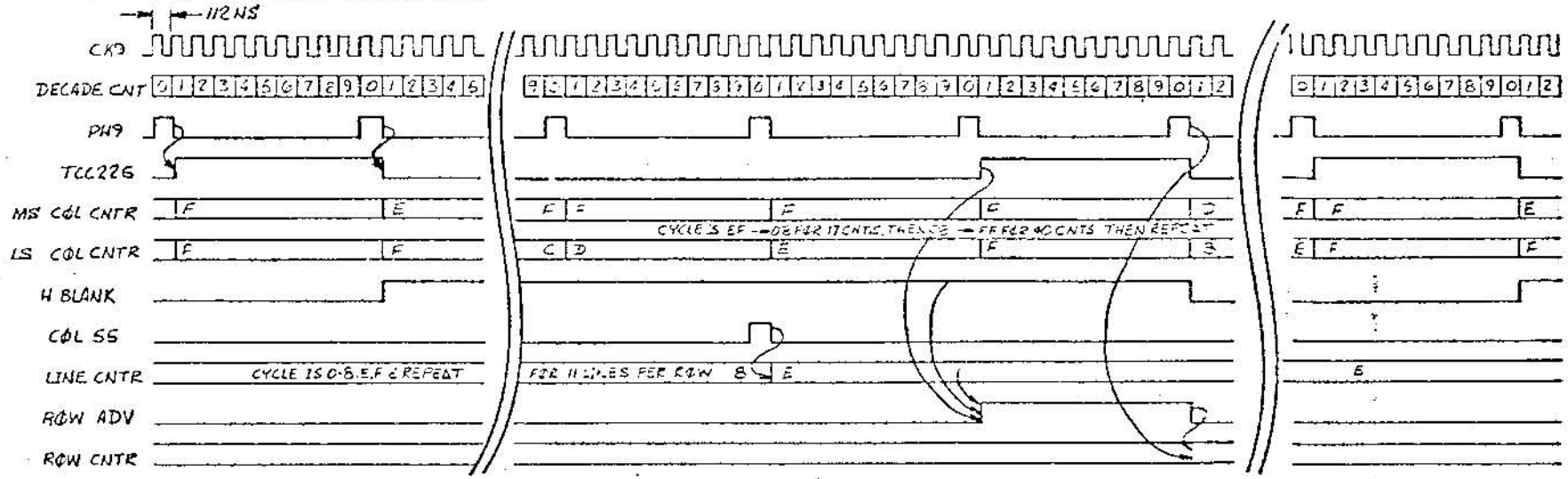
RAMTEK

WIRING DIAGRAM, HIT ME

DWG NO. 30070

REVISIONS			
REV	DESCRIPTION	APP'D	DATE
B	RELEASE FOR PROD.		
C	RELEASE FOR PROD.		

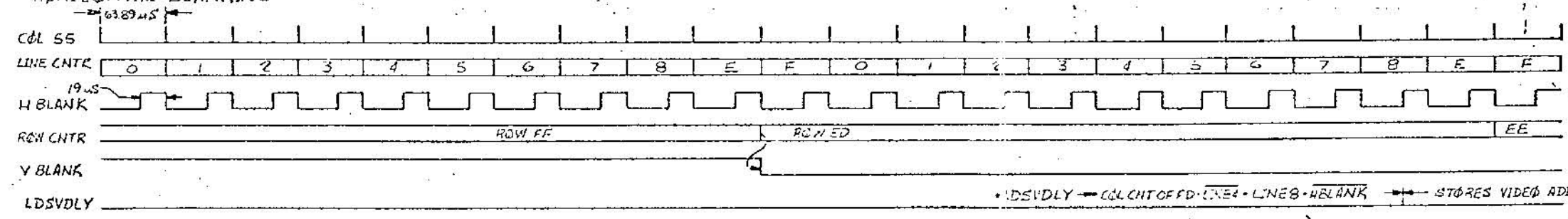
COLUMN, LINE, ROW COUNTERS



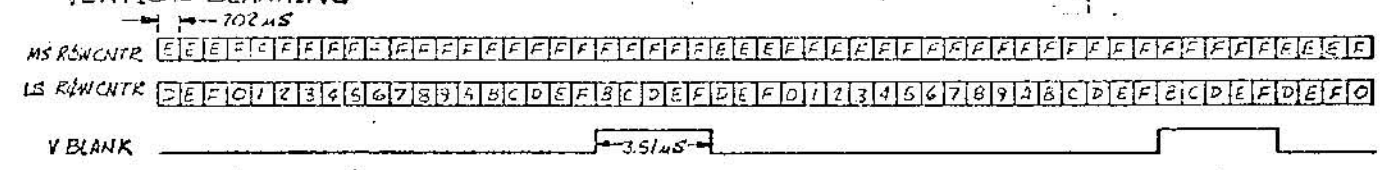
H BLANKING
 COLUMN COUNTER EF - (17 CNTS) - 08 - (40 CNTS) - EF
 LINE COUNTER 0-8, E, F (11 LINES/ROW)
 ROW COUNTER FB - (5 CNTS) - ED - (19 CNTS) - FB
 V BLANKING
 VISIBLE COLUMNS
 VISIBLE ROWS

CK9 TIME IS 112 NS
 PH9 TO PH9 IS $10 \times 112 \text{ NS} = 1.12 \mu\text{s}$
 H BLANK TIME IS $1.12 \times 17 = 19.04 \mu\text{s}$
 VISIBLE COL TIME IS $1.12 \times 40 = 44.80 \mu\text{s}$
 H BLANK TO H BLANK = $63.94 \mu\text{s}$
 VERTICAL BLANK TIME IS $5 \times 11 \times 63.84 = 3.51 \mu\text{s}$
 VERTICAL BLANK TO VERTICAL BLANK IS $24 \times 11 \times 63.84 = 16.87 \mu\text{s}$

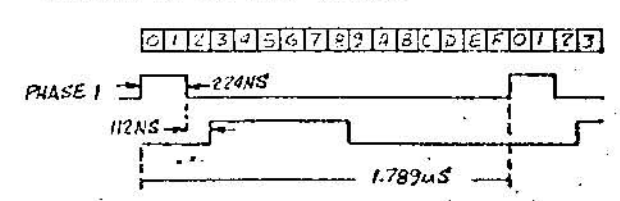
HORIZONTAL BLANKING



VERTICAL BLANKING



PHASE 1, PHASE 2 TIMING

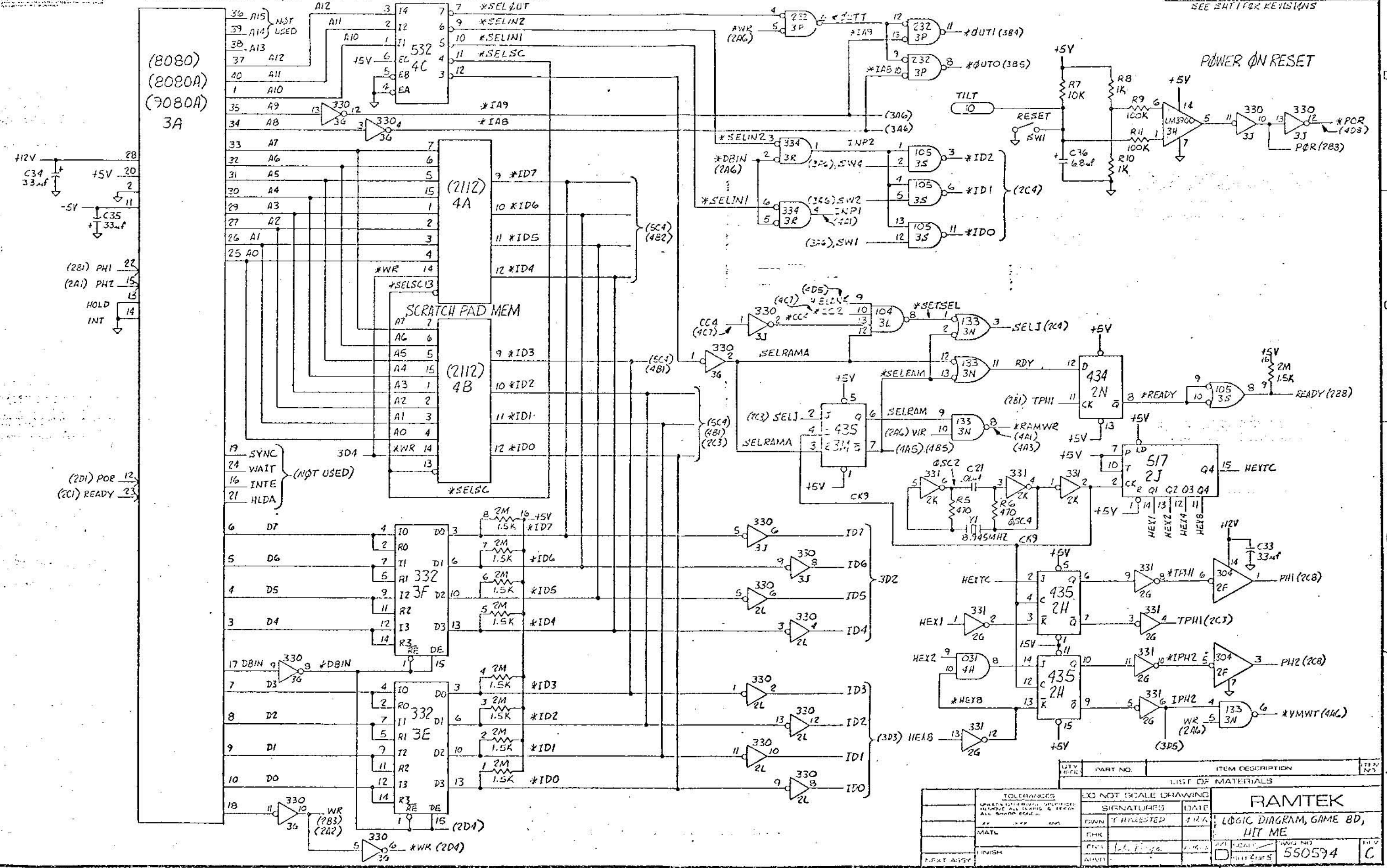


QTY	PART NO.	ITEM DESCRIPTION	REV
		LIST OF MATERIALS	
		RAMTEK	
		TIMING DIAGRAM, HIT ME	
		SCALE	AWG NO.
		REV 5	550594
			C

NOTE: SIGNALS AD THRU A13 GO TO PL1M MEMORY & PRGM DECODE ON SHT 5 (LEVERES 7A THRU 7G)

I/O ADDRESS DECODE

REV	DATE	BY	DESCRIPTION
1			SEE SHT 1 FOR REVISIONS



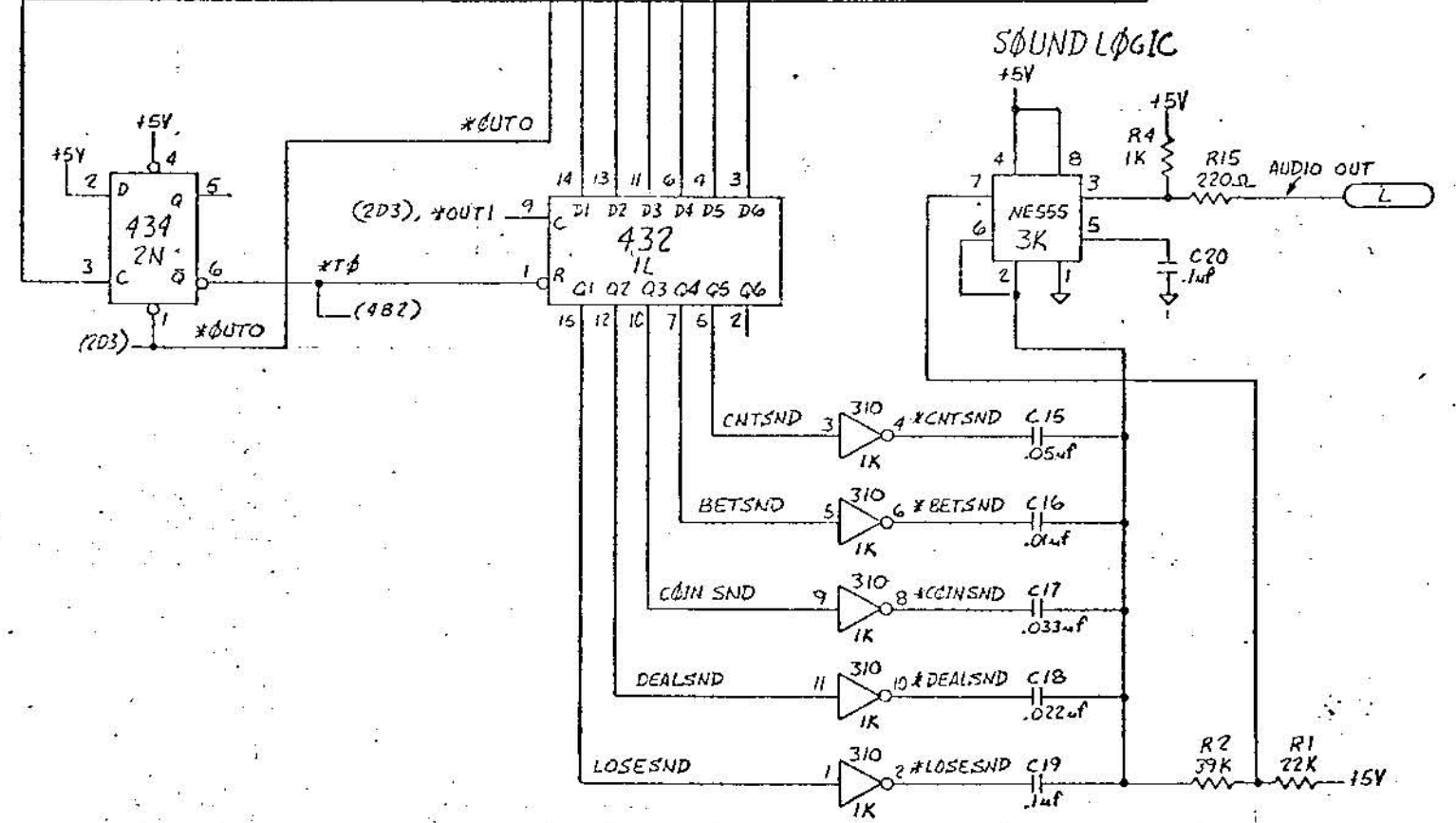
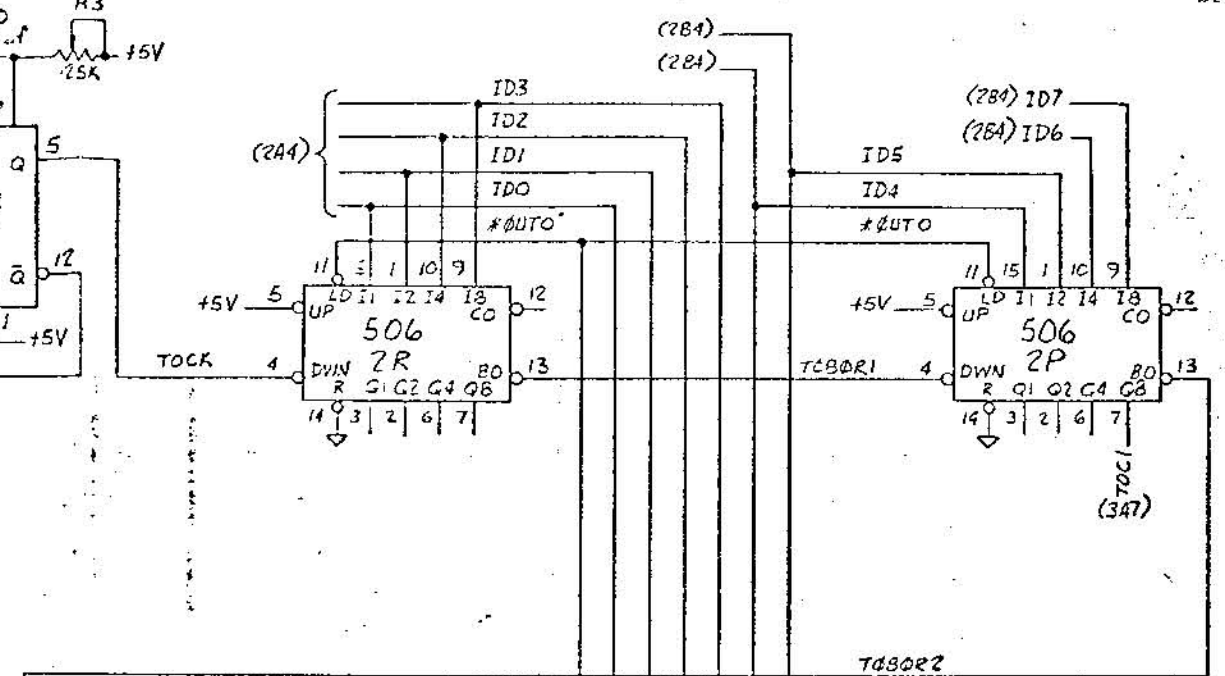
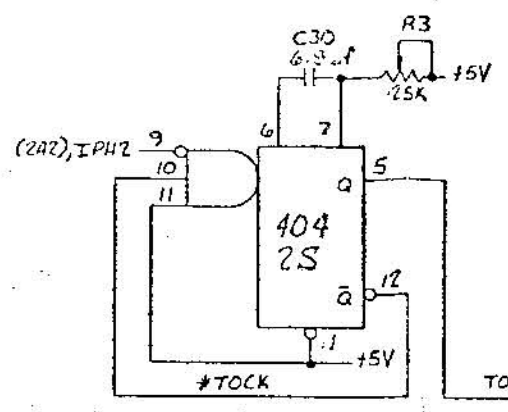
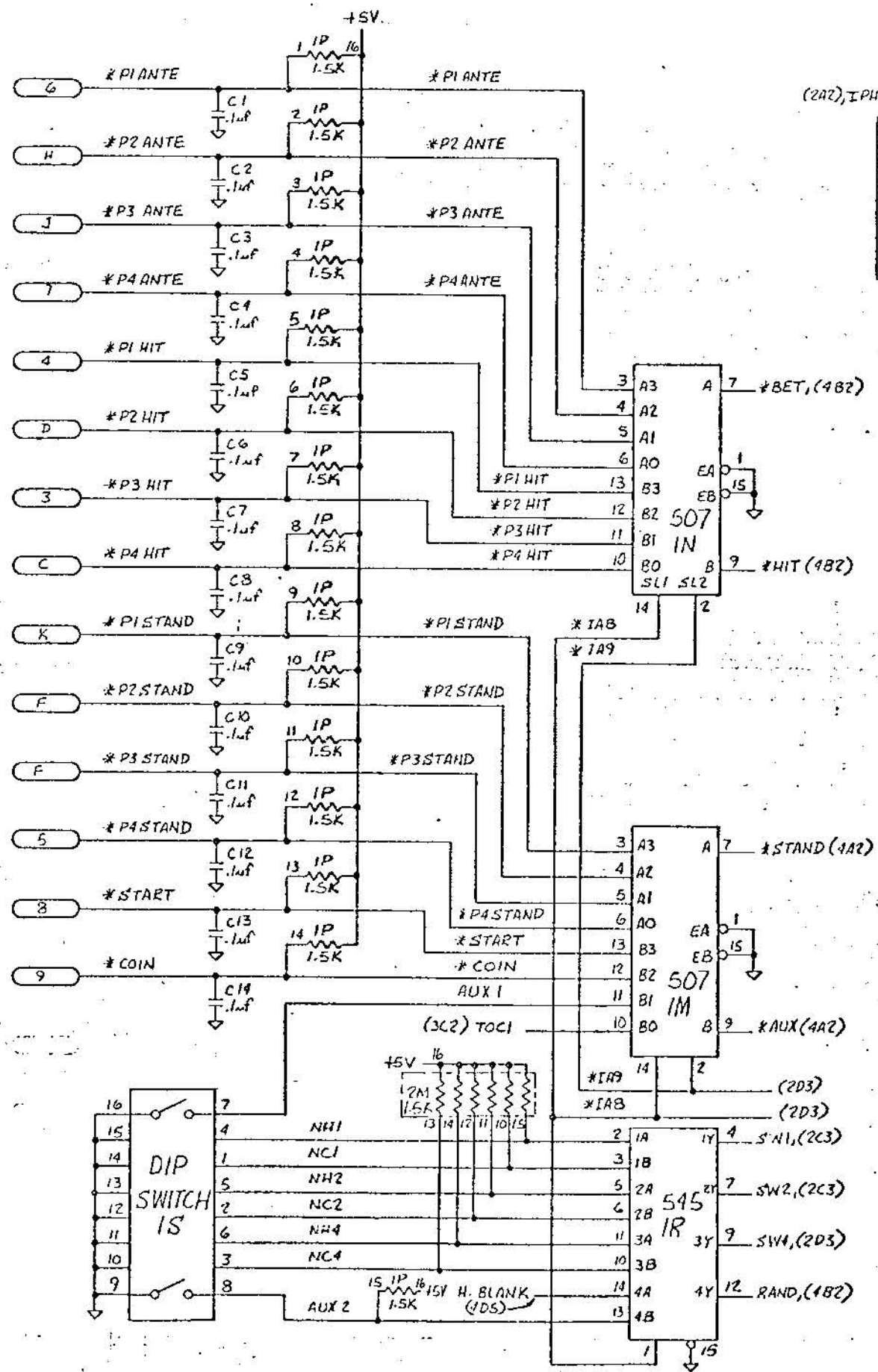
QTY	PART NO.	ITEM DESCRIPTION	TRF
1	330	330	
1	331	331	
1	332	332	
1	333	333	
1	334	334	
1	335	335	
1	336	336	
1	337	337	
1	338	338	
1	339	339	
1	340	340	
1	341	341	
1	342	342	
1	343	343	
1	344	344	
1	345	345	
1	346	346	
1	347	347	
1	348	348	
1	349	349	
1	350	350	
1	351	351	
1	352	352	
1	353	353	
1	354	354	
1	355	355	
1	356	356	
1	357	357	
1	358	358	
1	359	359	
1	360	360	
1	361	361	
1	362	362	
1	363	363	
1	364	364	
1	365	365	
1	366	366	
1	367	367	
1	368	368	
1	369	369	
1	370	370	
1	371	371	
1	372	372	
1	373	373	
1	374	374	
1	375	375	
1	376	376	
1	377	377	
1	378	378	
1	379	379	
1	380	380	
1	381	381	
1	382	382	
1	383	383	
1	384	384	
1	385	385	
1	386	386	
1	387	387	
1	388	388	
1	389	389	
1	390	390	
1	391	391	
1	392	392	
1	393	393	
1	394	394	
1	395	395	
1	396	396	
1	397	397	
1	398	398	
1	399	399	
1	400	400	
1	401	401	
1	402	402	
1	403	403	
1	404	404	
1	405	405	
1	406	406	
1	407	407	
1	408	408	
1	409	409	
1	410	410	
1	411	411	
1	412	412	
1	413	413	
1	414	414	
1	415	415	
1	416	416	
1	417	417	
1	418	418	
1	419	419	
1	420	420	
1	421	421	
1	422	422	
1	423	423	
1	424	424	
1	425	425	
1	426	426	
1	427	427	
1	428	428	
1	429	429	
1	430	430	
1	431	431	
1	432	432	
1	433	433	
1	434	434	
1	435	435	
1	436	436	
1	437	437	
1	438	438	
1	439	439	
1	440	440	
1	441	441	
1	442	442	
1	443	443	
1	444	444	
1	445	445	
1	446	446	
1	447	447	
1	448	448	
1	449	449	
1	450	450	
1	451	451	
1	452	452	
1	453	453	
1	454	454	
1	455	455	
1	456	456	
1	457	457	
1	458	458	
1	459	459	
1	460	460	
1	461	461	
1	462	462	
1	463	463	
1	464	464	
1	465	465	
1	466	466	
1	467	467	
1	468	468	
1	469	469	
1	470	470	
1	471	471	
1	472	472	
1	473	473	
1	474	474	
1	475	475	
1	476	476	
1	477	477	
1	478	478	
1	479	479	
1	480	480	
1	481	481	
1	482	482	
1	483	483	
1	484	484	
1	485	485	
1	486	486	
1	487	487	
1	488	488	
1	489	489	
1	490	490	
1	491	491	
1	492	492	
1	493	493	
1	494	494	
1	495	495	
1	496	496	
1	497	497	
1	498	498	
1	499	499	
1	500	500	

RAMTEK
LOGIC DIAGRAM, GAME BD,
HIT ME

TOLERANCES	DO NOT SCALE DRAWING
RESISTORS: ±1%	SIGNATURES
CAPACITORS: ±5%	DATE
IC'S: AS SHOWN	DRWN
	F. HILTESTED
	DATE
	CHK
	DATE
	FINISH
	DATE
	APPROV
	DATE

REVISIONS	
REV	DATE
1	11/15/73
SEE S47 FOR REVISIONS	

TIME OUT COUNTERS



REV	PART NO	ITEM DESCRIPTION	DATE
1		LIST OF MATERIALS	11/15/73

TOLERANCES UNLESS OTHERWISE SPECIFIED		DO NOT SCALE DRAWING	
RES	1% 5% 10%	SIGNATURES	DATE
CAP	±5% ±10%	DESIGNER	11/15/73
MATL		CHECK	
FINISH		ENG	11/15/73
PRINT ASSY		APPROV	

RAMTEK	
LOGIC DIAGRAM, GAME BD, HIT ME	
SCALE	550594
REV	C

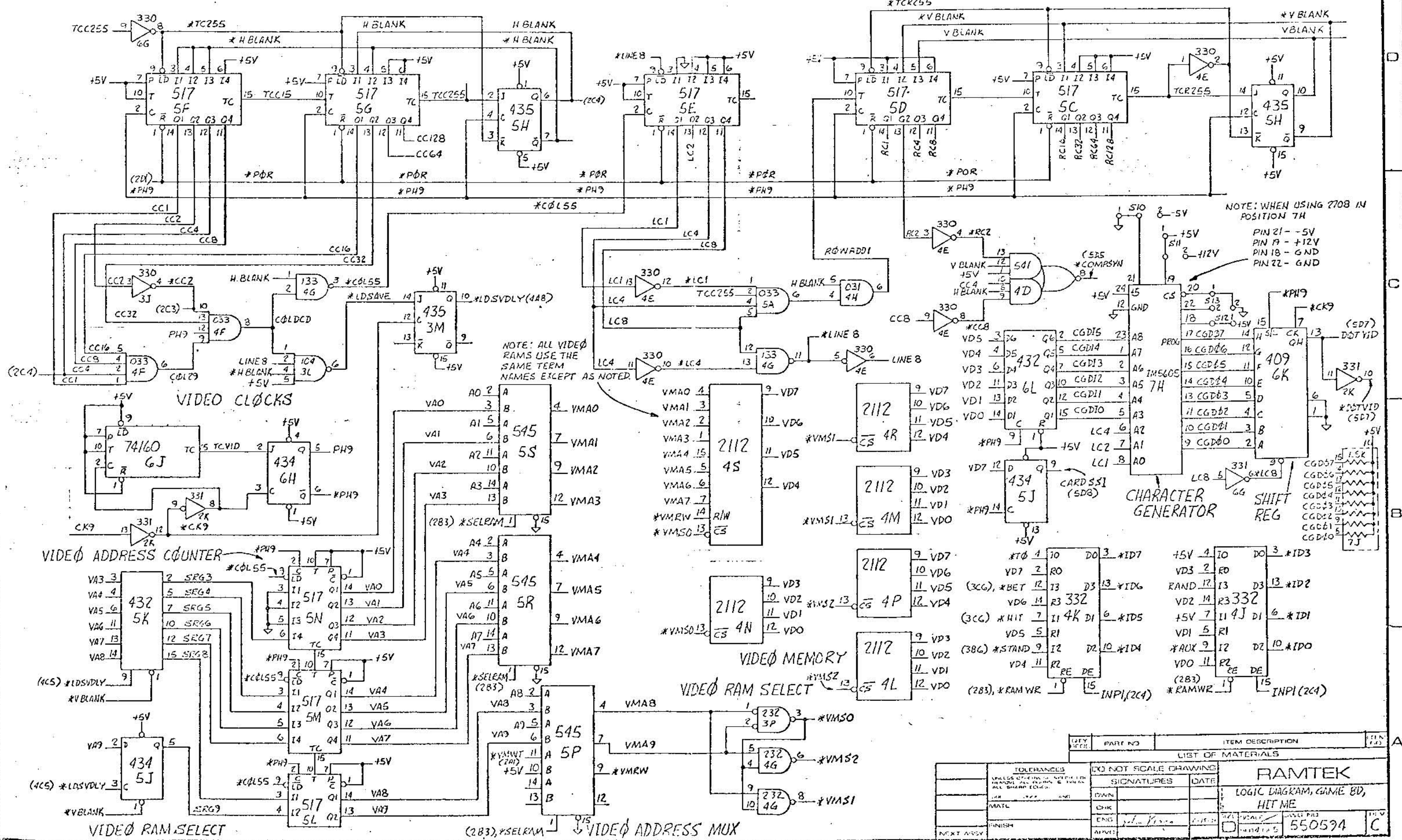
COLUMN COUNTER

LINE COUNTER

ROW COUNTER

REVISIONS	
NO.	DATE

SEE SHEET FOR REVISIONS



NOTE: ALL VIDEO RAMS USE THE SAME TERM NAMES EXCEPT AS NOTED.

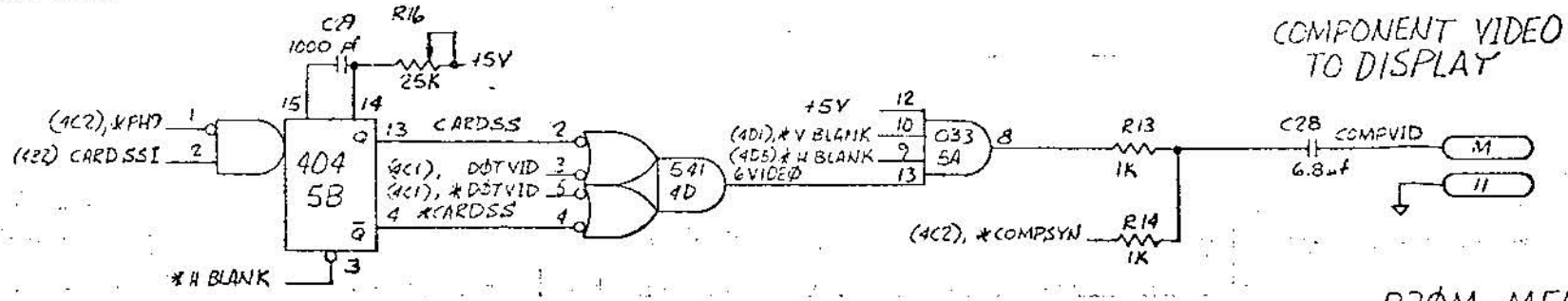
NOTE: WHEN USING 2708 IN POSITION 7H
 PIN 21 - -5V
 PIN 19 - +12V
 PIN 18 - GND
 PIN 22 - GND

QTY	PART NO	ITEM DESCRIPTION	REV
LIST OF MATERIALS			

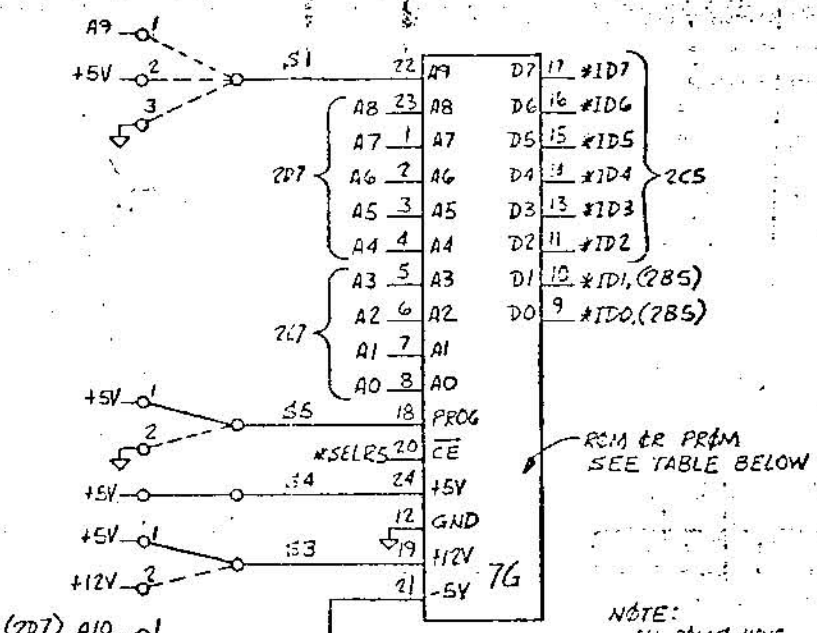
RAMTEK

LOGIC DIAGRAM, GAME 8D,
HIT ME

550594 C

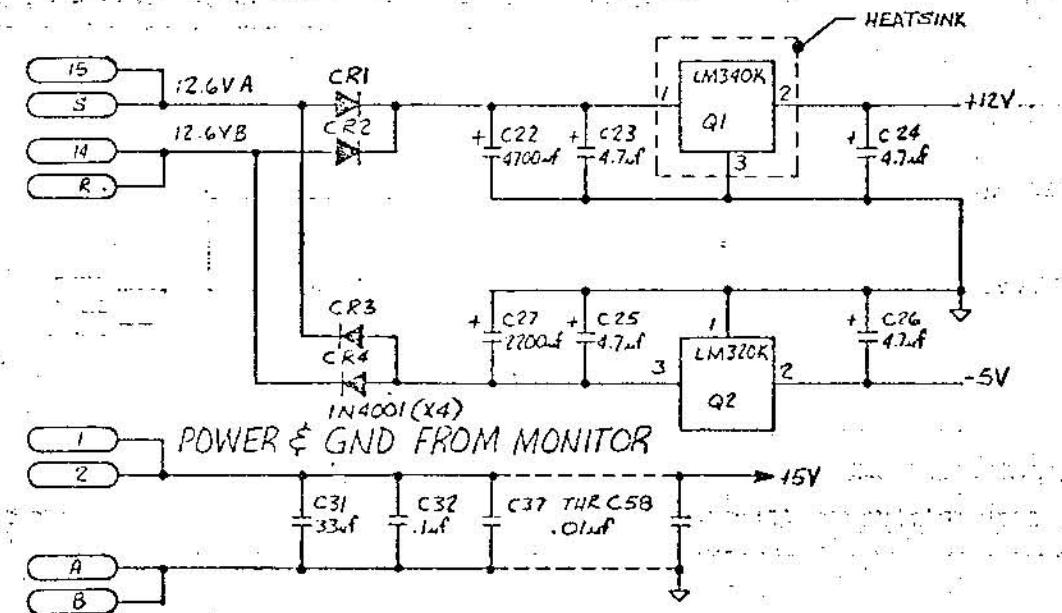


PRØM MEMORY (512 x 8)

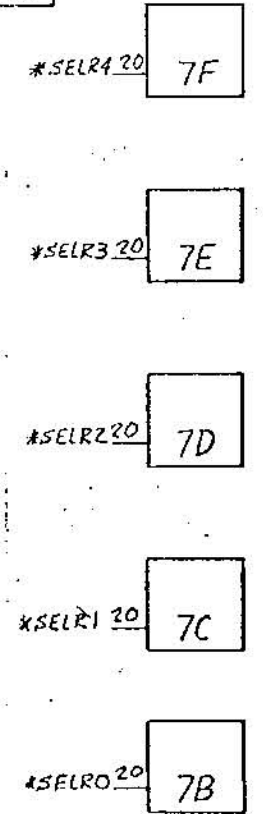
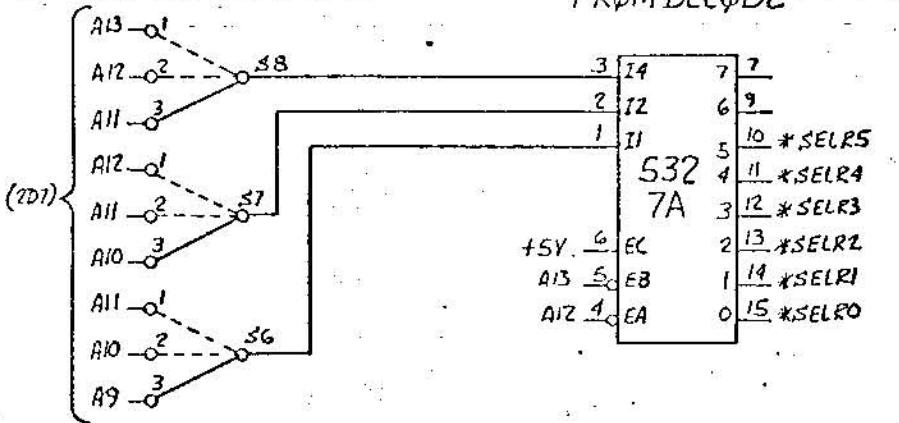


NOTE:
 ALL ICMS HAVE THE SAME TERM NAME EXCEPT PIN NO. ALL PINS CONNECTED AS SHOWN ON PRØM (7G)

MFG	PART NO.	S1 PIN 22	S2 PIN 21	S3 PIN 19	S4 PIN 24	S5 PIN 18	S6	S7	S8	SIZE	ROM
INTEL	2308 5308	A9	-5V	+12V	+5V	GND	A10	A11	A12	1K18	
INTEL	2708	A9	-5V	+12V	+5V	GND	A10	A11	A12	1K18	
INTEL	3624 3624-4	+5V	GND	+5V	+5V	+5V	A9	A10	A11	512X8	
INTEL	3604-4 3604L-4	+5V	GND	+5V	+5V	+5V	A9	A10	A11	512X8	
INTEL	3604-6 3604L-6	+5V	GND	+5V	CUT OFF PIN	+5V	A9	A10	A11	512X8	
AMD	9208	A9	ØPEN	+12V	+5V	+5V	A10	A11	A12	1K18	ROM
AMD	7216	A7	A10	+12V	+5V	+5V	A11	A12	A13	2K18	ROM
FARQUITE	9343B 9344B	ØPEN	GND	+5V	+5V	+5V	A9	A10	A11	512X8	
INTERILL	1M5605 1M5625	ØPEN	GND	+5V	+5V	+5V	A9	A10	A11	512X8	



PRØM DECODE



QTY	PART NO	ITEM DESCRIPTION	ITEM NO
LIST OF MATERIALS			

DO NOT SCALE DRAWING

RAMTEK
 LOGIC DIAGRAM, GAME BD,
 HIT ME

SCALE: 1/8" = 1"

550591