



SEGA CORPORATION

Nissay Aoma Building, 5-37-1, Kamata, Ohta-ku, Tokyo 144-8721, Japan
Phone: +81-3-5480-6582 Facsimile: +81-3-5480-6584

© SEGA

THE HOUSE OF THE DEAD 4 SPECIAL

PARTS CATALOG

420-6963-01



PARTS CATALOG



(Note: Photos show items with optional accessories attached.)

IMPORTANT

- Before using this product, read this manual carefully to understand the contents herein stated.
- After reading this manual, be sure to keep it near the product or in a convenient place for easy reference when necessary.

 **WARNING**

In order to manage this product, there must be fire-fighting facilities and evacuation space as prescribed by related laws and by local government ordinances in the district where the product has been installed, so that countermeasures can be taken if there is an accident, fire or earthquake. There are cases, depending on the environment or district where a structure has been installed, in which inspection by a fire station or other public institution is required. Consult with your local fire department before installing the product.

TABLE OF CONTENTS

1	MAIN CABINET.....	1
①	TOP ASSY HSP	3
②	ASSY STEP (HSP-0100)	5
③	ASSY CONTROL TOWER (HSP-0500).....	6
④	ASSY SUB CONTROL TOWER (HSP-0510).....	8
⑤	METER UNIT (HSP-0570)	10
⑥	FAN UNIT (STR-1070).....	11
⑦	ASSY CONTROL TOWER PANEL (HSP-0530).....	12
⑧	ASSY REGULATOR (HSP-0580)	13
⑨	ASSY COMPRESSOR (HSP-0590).....	14
⑩	ASSY BREAKER BASE (HSP-4200).....	15
⑪	ASSY CABINET (HSP-1000).....	16
⑫	ASSY FRAMEWORK (HSP-1100).....	18
⑬	ASSY PILLAR COR (HSP-1160).....	19
⑭	ASSY PILLAR STR (HSP-1170).....	20
⑮	ASSY PILLAR STR DOOR L (HSP-1180).....	21
⑯	ASSY PILLAR STR DOOR R (HSP-1190)	22
⑰	ASSY DOOR FRAME (HSP-1150)	23
⑱	ASSY PROJECTOR (HSP-1200)	25
⑲	ASSY DLP FRONT COVER (HSP-1250)	27
⑳	ASSY SCREEN (HSP-1300).....	28
㉑	ASSY SCREEN SENSOR UPPER (HSP-1350)	29
㉒	ASSY SCREEN SENSOR LOWER (HSP-1360)	31
㉓	ASSY DOOR L (HSP-1400).....	33
㉔	ASSY DOOR R (HSP-1450)	35
㉕	ASSY GUILLOTINE (HSP-1500).....	37
㉖	ASSY FENCE (HSP-1600)	39
㉗	ASSY FRONT BASE (HSP-3100)	41
㉘	ASSY SUB FRONT BASE (HSP-3120).....	42
㉙	ASSY MIDDLE BASE (HSP-3200).....	43
㉚	ASSY SUB MIDDLE BASE (HSP-3220)	46
㉛	ASSY NYLON GEAR (HSP-3230).....	48
㉜	ASSY MOTOR (HSP-3240)	49

33	ASSY POS SENSOR FR (HSP-3250)	50
34	ASSY POS SENSOR CW (HSP-3260)	51
35	ASSY POS SENSOR CCW (HSP-3270)	52
36	ASSY EMER SW CW (HSP-3280)	53
37	ASSY EMER SW CCW (HSP-3290)	54
38	ASSY RIDE (HSP-3500)	55
39	CONTROL UNIT (HSP-2000)	57
40	SENSOR UNIT (JPS-2030X)	59
41	ASSY SEAT (HSP-3600)	60
42	ASSY TURNTABLE (HSP-3650)	62
43	ASSY CONTROL STAND (HSP-3700)	64
44	SW UNIT (HSP-3740)	66
45	ASSY VALVE (HSP-3750)	67
46	ASSY CONT HOLDER L (HSP-3760)	69
47	ASSY CONT HOLDER R (HSP-3770)	70
48	ASSY SPEAKER STAND (HSP-3780)	71
49	ASSY CONTROL PANEL (HSP-3790)	72
50	ASSY ARM REST MECHA (HSP-3800)	73
51	ASSY AR SHAFT BASE L (HSP-3830)	75
52	ASSY AR SHAFT BASE R (HSP-3850)	77
53	ASSY ARM REST LOCK (HSP-3860)	79
54	ASSY REAR SP L (HSP-3870)	81
55	ASSY REAR SP R (HSP-3880)	82
56	ASSY REAR BASE (HSP-3300)	83
57	ASSY SUB REAR BASE (HSP-3320)	85
58	ASSY FLOOR BOARD MAIN BD (HSP-3380)	86
59	ASSY DVD LID (HSP-3390)	88
60	ASSY MAIN BD (HSP-4000)	89
61	ASSY PWR SPLY (HSP-4100)	91

2 OPTIONAL PARTS 94

① HSP OPTION FENCE KIT 1U UK (XKT-1544-EX2) <CE>.....	95
② ASSY FENCE FRAME FRONT (HSP-0220)	97
③ ASSY OPTION LAMP BOX EXP (HSP-0230-01).....	98
④ ASSY ZOMBIE UK (HSP-0300-02)	100
⑤ ASSY ZOMBIE LAMP (HSP-0330)	102
⑥ AC UNIT ZOMBIE BASE EXP (HSP-0350-01)	103
⑦ ASSY SW REGU CE (HSP-4300-02)	104

<For CE Only>

From among the parts used for the product, regarding the stickers/sheets such as warning and cautionary displays intended for players, and those describing the name of hazard prevention equipment such as the Emergency Stop Button, etc., the official language applicable to the installation location is employed. These stickers/sheets are important parts from the point of view of safety and should be replaced immediately if soiled or peeled off. The Parts List herein contains only the Parts Nos. of stickers/sheets described in English (with suffixed E or EG or UK).

In the case where the asterisk mark “*” is indicated in the note column of the Parts List, that particular part has the applicable official language available. As such, when placing order, ensure that the corresponding official language is available for that particular part. For example, if you desire the stickers/sheets described in French, suffix FR in lieu of UK.

However, note that if a common expression can be used, only one expression is registered for plural official languages and in this case, only one language is available.

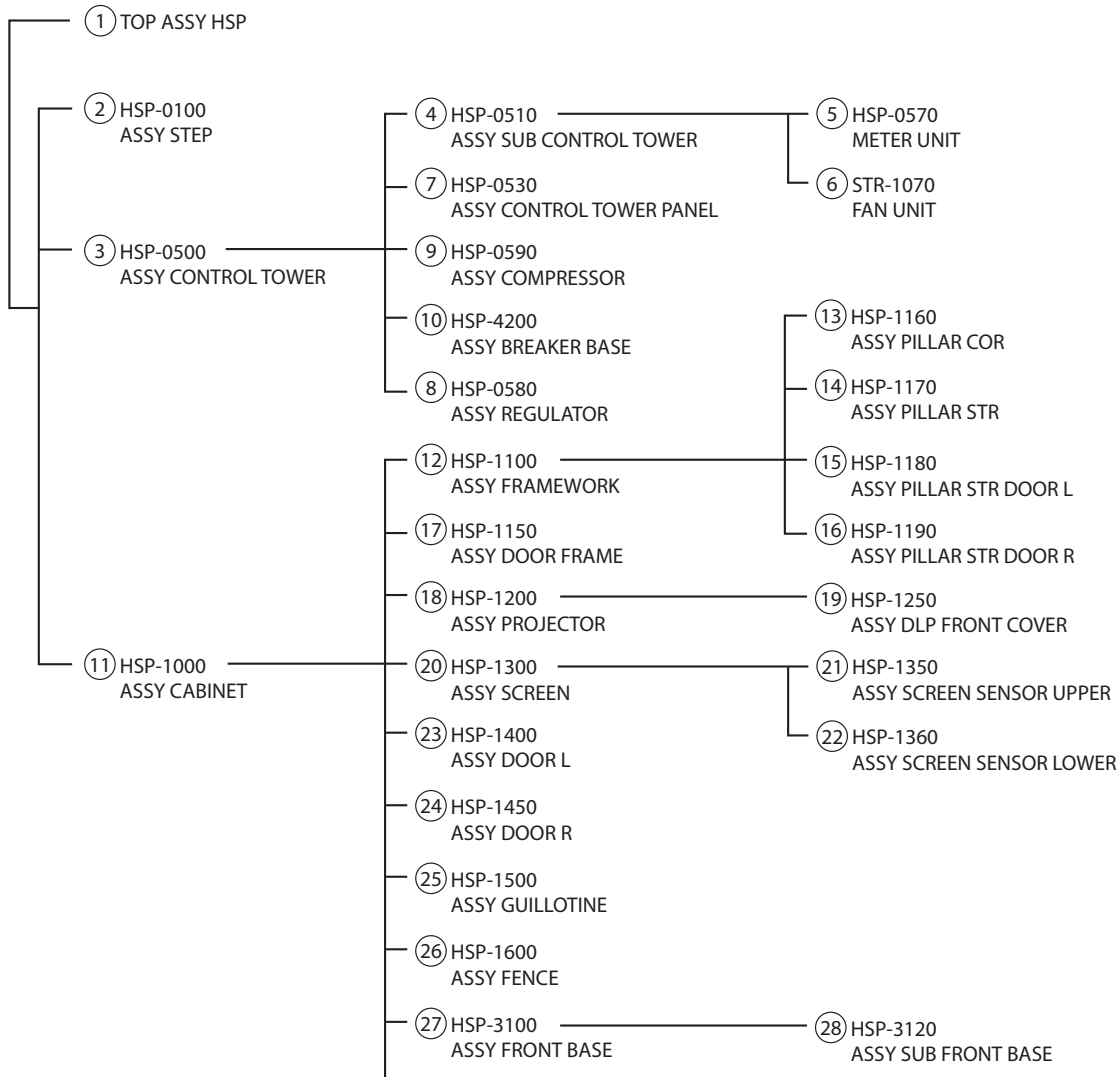
The followings are the suffix character(s) of the Parts No. for the corresponding official language;

E or EG or UK:	English	FR:	French	GM:	German
SP:	Spanish	PT:	Portuguese	IT:	Italian
DU:	Dutch	SW:	Swedish	NW:	Norwegian

Note that Parts List herein does not include the individual parts of assemblies and manufactured items. Be sure to understand that inquiries and placing orders as regards the individual parts below may be unacceptable.

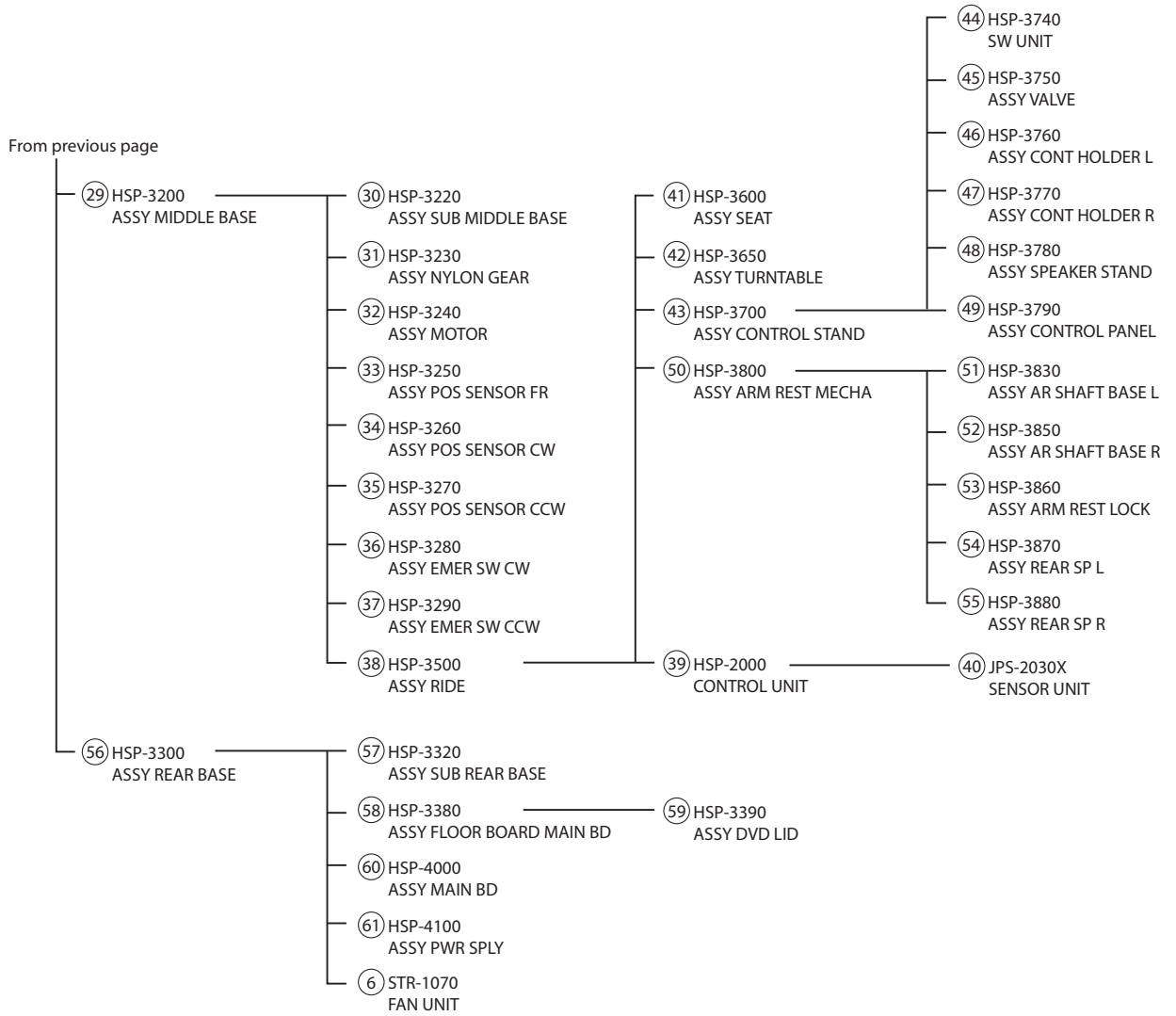
- Assemblies only for finished product sales (such as the printed circuit board on which ICs and fuses are mounted).
- Manufactured items incorporated for this product (projectors, monitors, etc.). As a rule, the products listed in Item No. 101 – 199 of the Parts List.
- Units which are assembled by employing welding, riveting and adhesives.

1 MAIN CABINET



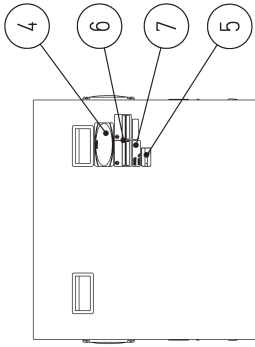
To next page

MAIN CABINET

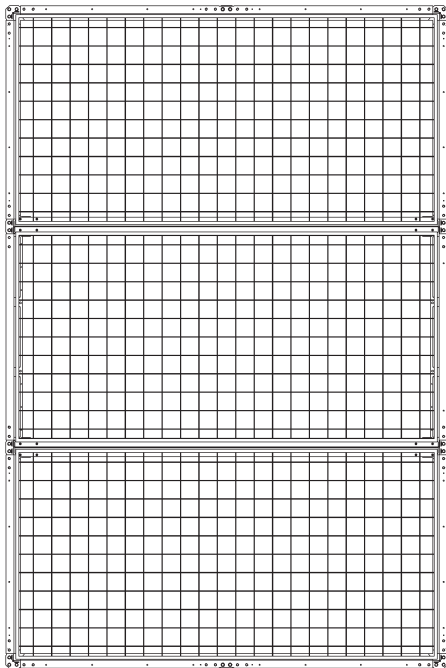
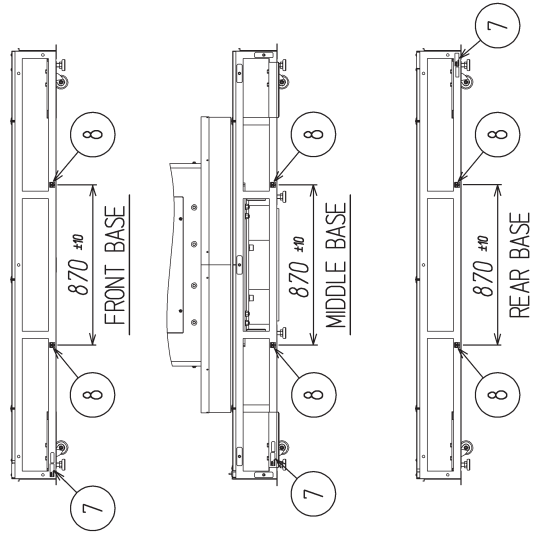


1 TOP ASSY HSP

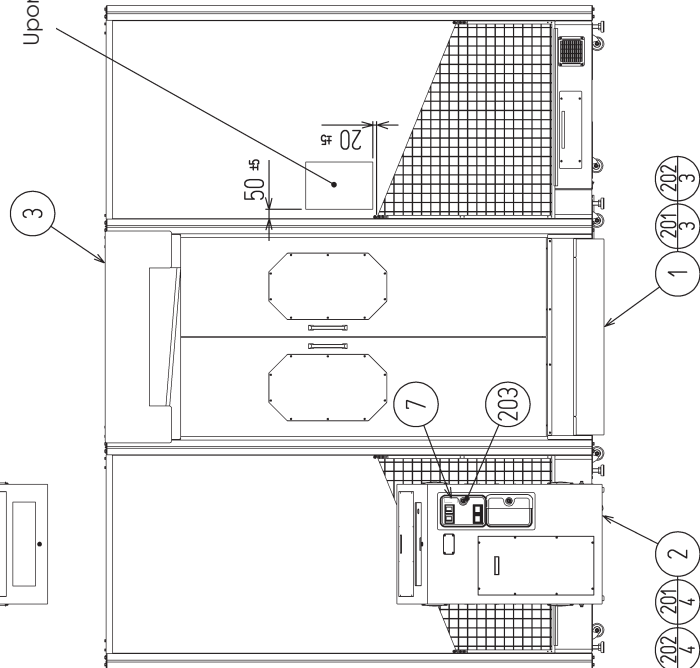
(D-1/2)



CONTROL TOWER rear view



Upon installation of 12, affix to the side opposite of 2.



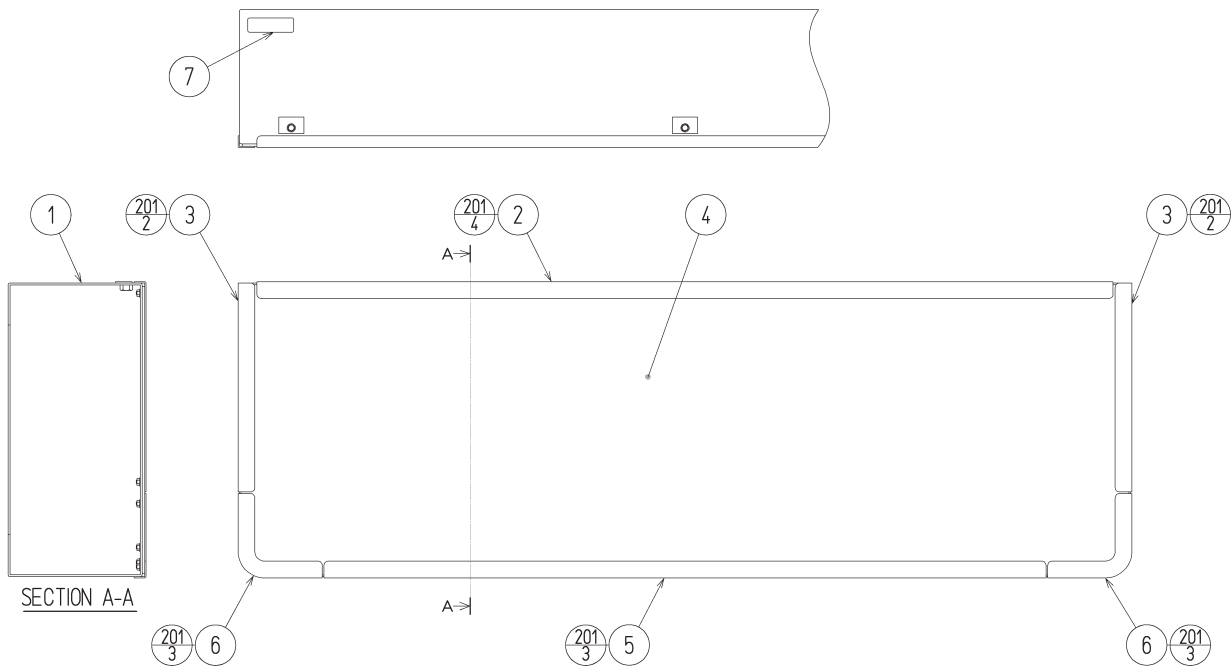
1 TOP ASSY HSP

(D-2/2)

MAIN CABINET

ITEM NO.	PART NO.	DESCRIPTION	NOTE
1	HSP-0100	ASSY STEP	
2	HSP-0500	ASSY CONTROL TOWER	
3	HSP-1000	ASSY CABINET	
8	421-11416	STICKER CAUTION FORK	
12	HSP-0001-01	STICKER PLAY INSTR HSP ENG	
13	HSP-0002-01	POP PLAY INSTR HSP ENG	
14	HSP-0003	STICKER HEIGHT HSP	
201	030-000825-S	HEX BLT W/S M8x25	
202	068-852216	FLT WSHR 8.5-22 x1.6	
203	008-T00412-0B	TMP PRF SCR TH BLK M4x12	
401	420-6941-01	OWNERS MANUAL HSP ENG	<Hong Kong>
	420-6941-04	SERVICEMAN MANUAL HSP CE	<CE>
402	220-5793-2-A001	KEY MASTER A001	
403	VRF-0008	ADJUST JOINT	
404	509-5080	SW MICRO TYPE (SS-5GL2)	
405	610-0719-01	DVD-DRIVE UNIT USB	
406	200-6031-01	PJTR LAMP FOR TH-D3500 LL	
407	SGM-4111Y	KEY BAG	
408	610-0727-0010	DVD SOFT KIT HSP	
409	601-6842-89000	AIR TUBE 8-BLACK-9000	
410	420-6921-01	SERVICE MANUAL LBG ENG	
411	420-6923-01	SERVICE MANUAL DVP ENG	
412	390-6732-40W	HALOGEN LAMP JDR110V40WLW/K	
413	420-6962-01	SERVICE MANUAL HSP ENG	<Hong Kong>
	420-6962-02	OPERATION MANUAL HSP CE	<CE>
414	420-6963-01	PARTS CAT HSP ENG	
415	280-6676	CORD CLAMP TL-25A TTK	
/	421-6690-03	STICKER 220V	<Hong Kong>
/	421-12175-06	STICKER 3PHASE 380V	<Hong Kong>
/	421-6690-04	STICKER 230V (230V AREA)	<CE>
/	421-12175-07	STICKER 3PHASE 400V	<CE>
/	HSP-0001-02	STICKER PLAY INSTR HSP GERMAN	<CE>
/	HSP-0001-03	STICKER PLAY INSTR HSP FRENCH	<CE>
/	HSP-0001-04	STICKER PLAY INSTR HSP SPANISH	<CE>
/	HSP-0001-05	STICKER PLAY INSTR HSP ITALIAN	<CE>
/	HSP-0002-02	POP PLAY INSTR HSP GERMAN	<CE>
/	HSP-0002-03	POP PLAY INSTR HSP FRENCH	<CE>
/	HSP-0002-04	POP PLAY INSTR HSP SPANISH	<CE>
/	HSP-0002-05	POP PLAY INSTR HSP ITALIAN	<CE>
/	421-9472	STICKER CE MARK	<CE>

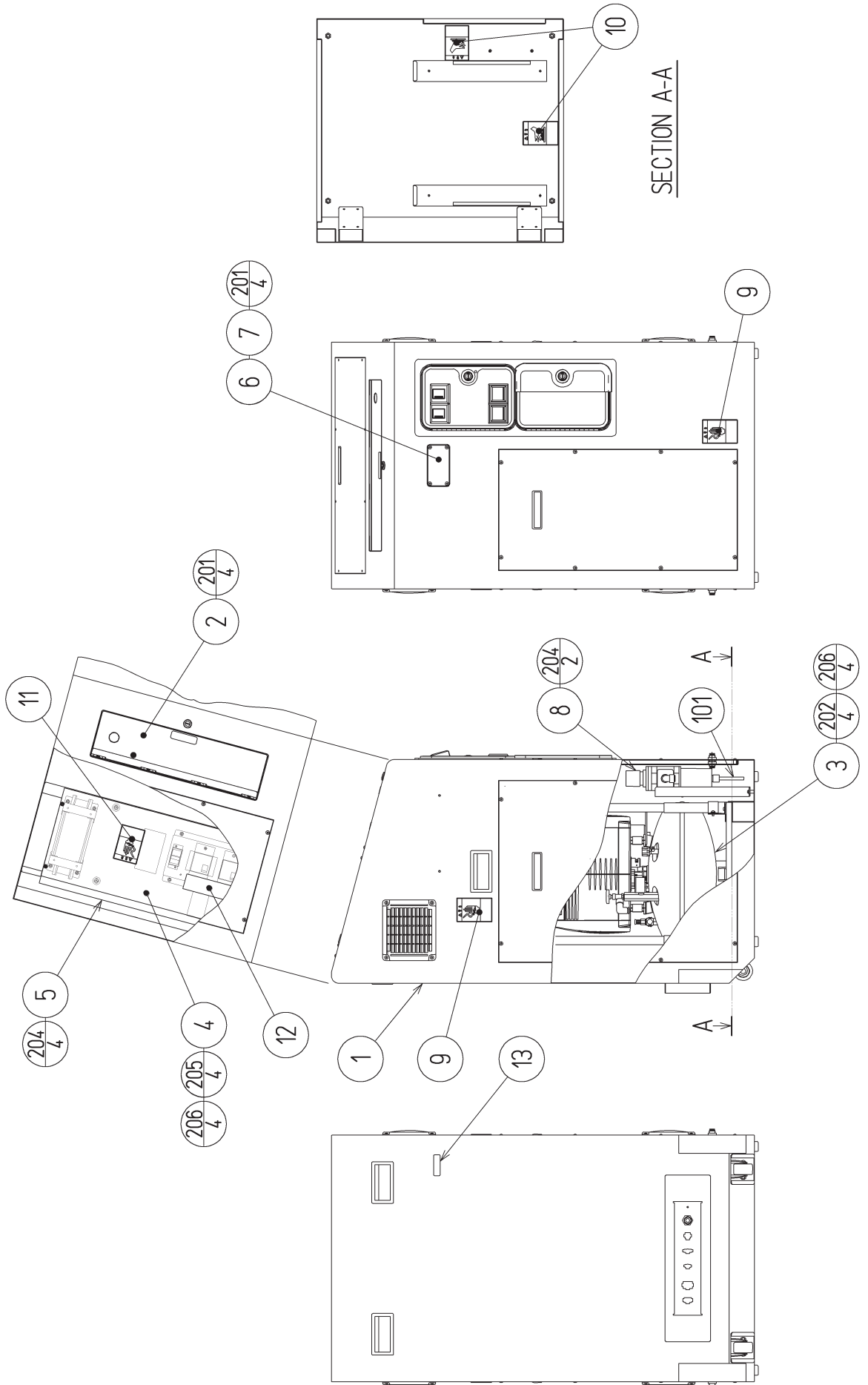
② ASSY STEP (HSP-0100)



ITEM NO.	PART NO.	DESCRIPTION	NOTE
1	HSP-0101X	STEP	
2	HSP-0102	STEP SASH LONG	
3	HSP-0103	STEP SASH SHORT	
4	HSP-0104	STEP MAT	
5	HSP-0105	STEP SASH MIDDLE	
6	HSP-0106	STEP SASH COR	
201	050-F00400	FLG NUT M4	

3 ASSY CONTROL TOWER (HSP-0500)

(D-1/2)



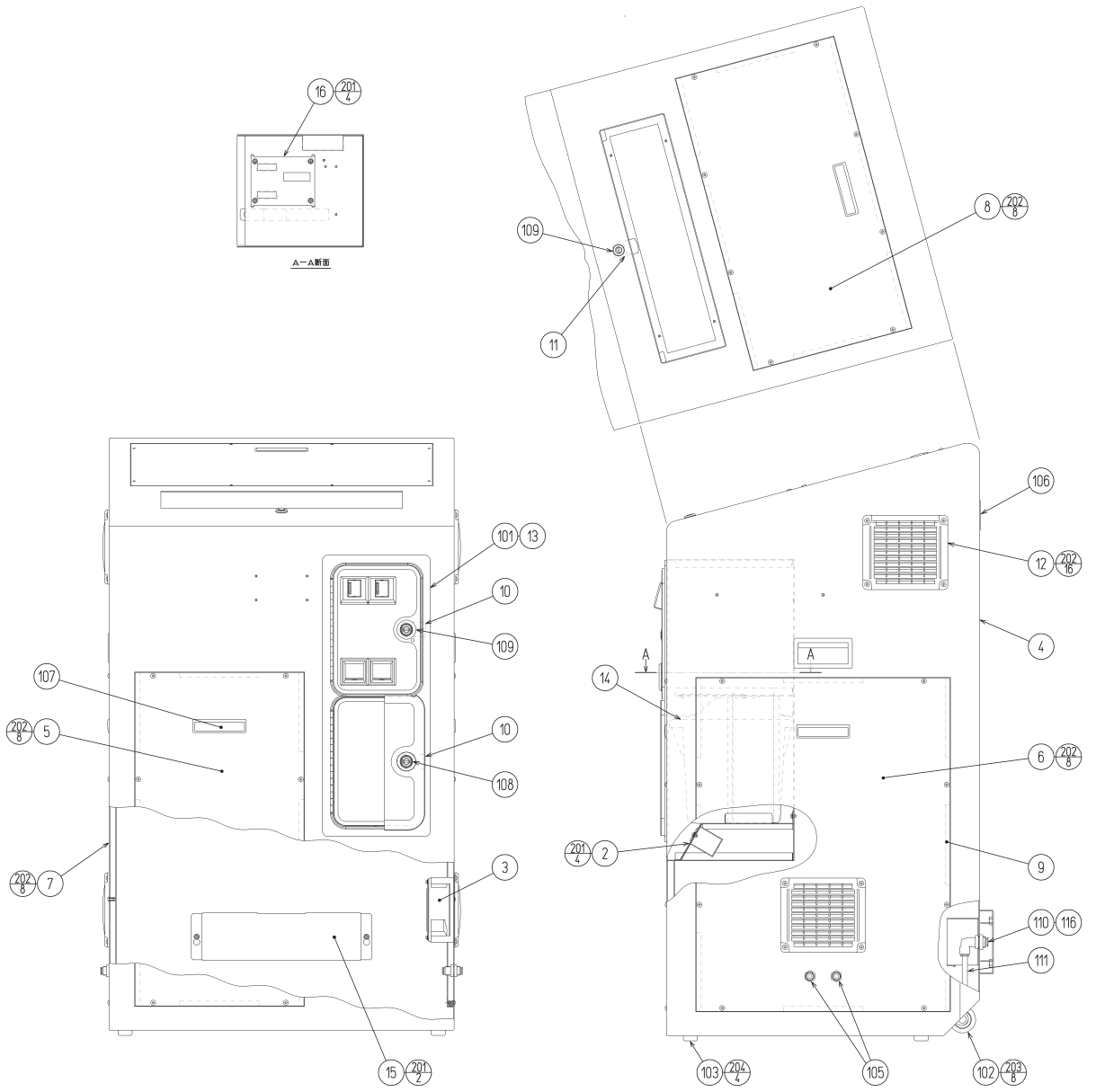
3 ASSY CONTROL TOWER (HSP-0500)

(D-2/2)

ITEM NO.	PART NO.	DESCRIPTION	NOTE
1	HSP-0510	ASSY SUB CONTROL TOWER	
2	HSP-0530	ASSY CONTROL TOWER PANEL	
3	HSP-0590	ASSY COMPRESSOR	
4	HSP-4200	ASSY BREAKER BASE	
5	HSP-0501X	BREAKER COVER	
6	DYN-0011	DENOMI PLATE W/O ORIGINAL	
8	HSP-0580	ASSY REGULATOR	
9	440-WS0002XEG	STICKER W POWER OFF ENG	
10	440-WS0314-EG	STICKER W HIGH TEMP ENG	
11	440-DS0313-EG	STICKER D HIGH VOLTAGE ENG	
12	421-12105-04	STICKER AC IN HK	<Hong Kong>
	421-12105-02	STICKER AC IN CE	<CE>
101	601-11741-B0800	AIR TUBE TS0806B 800MM	
102	601-6231-C030	EDGING NEW TYPE	
103	601-6231-C040	EDGING NEW TYPE L=40	
201	000-T00408-0B	M SCR TH BLK M4x8	
202	000-P00525-S	M SCR PH W/S M5x25	
204	000-P00408-W	M SCR PH W/FS M4x8	
205	000-P00512-S	M SCR PH W/S M5x12	
206	068-552016	FLT WSHR 5.5-20 x1.6	
207	000-P00408	M SCR PH M4x8	
208	060-S00400	SPR WSHR M4	
209	060-F00400	FLT WSHR M4	
301	600-7914-0600	WH EARTH UL1015 AWG10 0600MM	
/	HSP-0502	SWITCH GUARD PLATE	
/	HSP-0503	CUSHION SPONGE TOWER A	
/	HSP-0504	CUSHION SPONGE TOWER B	
/	HSP-0505	CUSHION SPONGE TOWER C	
/	HSP-0506	CUSHION SPONGE TOWER D	
/	HSP-0507	CUSHION SPONGE TOWER E	
/	HSP-0508	CUSHION SPONGE TOWER F	
/	421-12188-CE	STICKER SUPPLY CE	<CE>

4 ASSY SUB CONTROL TOWER (HSP-0510)

(D-1/2)

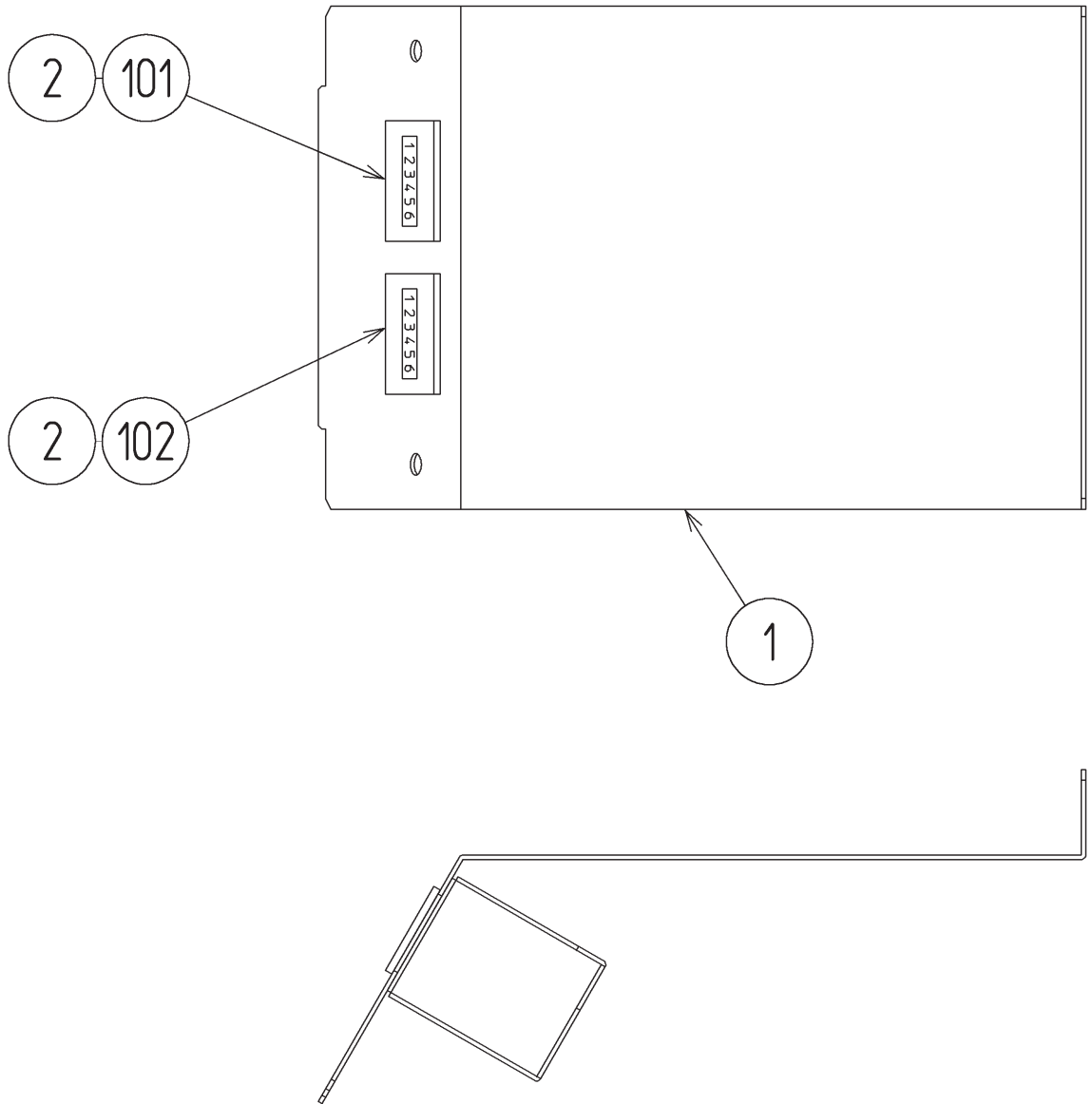


4 ASSY SUB CONTROL TOWER (HSP-0510)

(D-2/2)

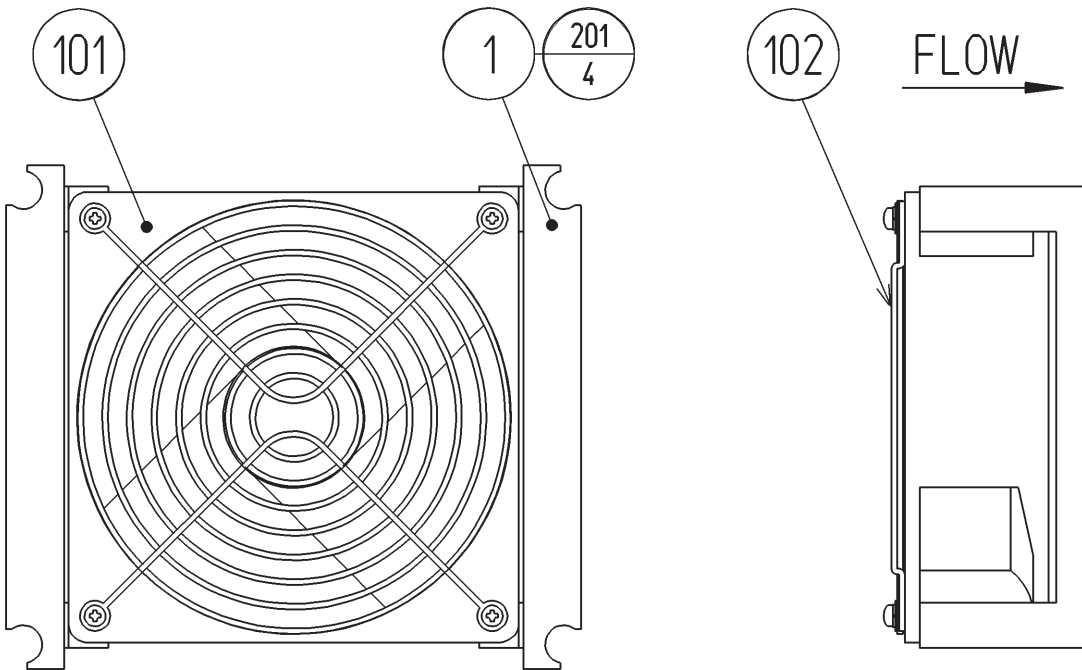
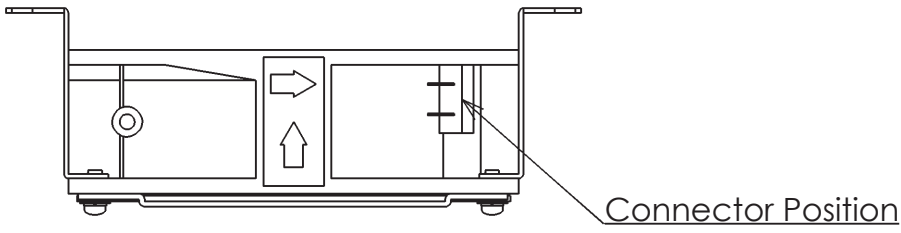
ITEM NO.	PART NO.	DESCRIPTION	NOTE
2	HSP-0570	METER UNIT	
3	STR-1070	FAN UNIT	
4	HSP-0511Y	CONTROL TOWER BLANK	
5	HSP-0512	TOWER LID FRONT	
6	HSP-0513	TOWER LID SIDE A	
7	HSP-0514	TOWER LID SIDE B	
8	HSP-0515	TOWER LID TOP	
9	HSP-0516	CUSHION SPONGE CONT TWR	
10	DP-1167	TNG LKG NOT USED	<Hong Kong> <CE>
11	DP-1148X	LKG TNG	
12	253-5460-01	AIR VENT BLACK	
13	421-7501-02	STICKER 6.3V 0.15A NOT USED	<Hong Kong> <CE>
14	253-5366	CASH BOX	
15	HSP-0517	WIRE COVER CONT TWR	
16	105-5572-02 105-5572-04	CHUTE PLATE DOUBLE CHUTE PLATE SR3	<Hong Kong> <CE>
101	220-5237-93-13	ASSY C.C 2DR USA 25CENT NOT USED	<Hong Kong> <CE>
102	601-11704	CASTER 50 TOCHIGIYA NO604-ZH-P	
103	601-11705	PLA FOOT TOCHIGIYA TM-125-5	
105	601-9967	AIR JOINT 8-8P NITTA EPC8	
106	601-11706	HANDLE SUGATSUNE 213-0702.3	
107	601-11707	HANDLE TOCHIGIYA THA-241-3	
108	220-5794	CLY LOCK W/KEYS NOT USED	<Hong Kong> <CE>
109	220-5793-1-A001	CLY LOCK MASTER W/O KEY A001	
110	601-6718	AIR JOINT 10-10P NITTA EPC10	
111	601-6844-81000	AIR TUBE 10-BLACK-1000	
112	310-5029-F20	SUMITUBE F F 20MM NOT USED	<Hong Kong> <CE>
113	280-5277	CORD CLAMP 18	
114	280-5275-SR10	CORD CLAMP SR10	
115	601-11755	AIR JOINT ELBOW SMC KQ2L08-99	
116	601-11717	JOINT ELBOW 10 SMC KQL10-99	
201	000-P00408-W	M SCR PH W/FS M4x8	
202	000-T00408-0B	M SCR TH BLK M4x8	
203	000-P00516-W	M SCR PH W/FS M5x16	
204	050-H00800	HEX NUT M8	
301	HSP-60001X	WH TERM TOWER 2P	
302	HSP-60002X	WH TERM TOWER 3P	
303	HSP-60003	WH COIN SW NOT USED	<Hong Kong> <CE>
304	HSP-60004X	WH TERM COIN	
305	HSP-60005X	WH COMP IN	
306	HSP-60006X	WH TERM CONTROL PANEL	
309	600-6972-0150	WIRE HARN EARTH ID5 0150MM	
/	HSP-65023	WH EXT AC24V	<CE>
/	105-5580	ELEC COIN BD BRKT CE	<CE>
/	280-6681	L-LOCK LT-320PCG	<CE>
/	000-P00312-W	M SCR PH W/FS M3x12	<CE>

⑤ METER UNIT (HSP-0570)



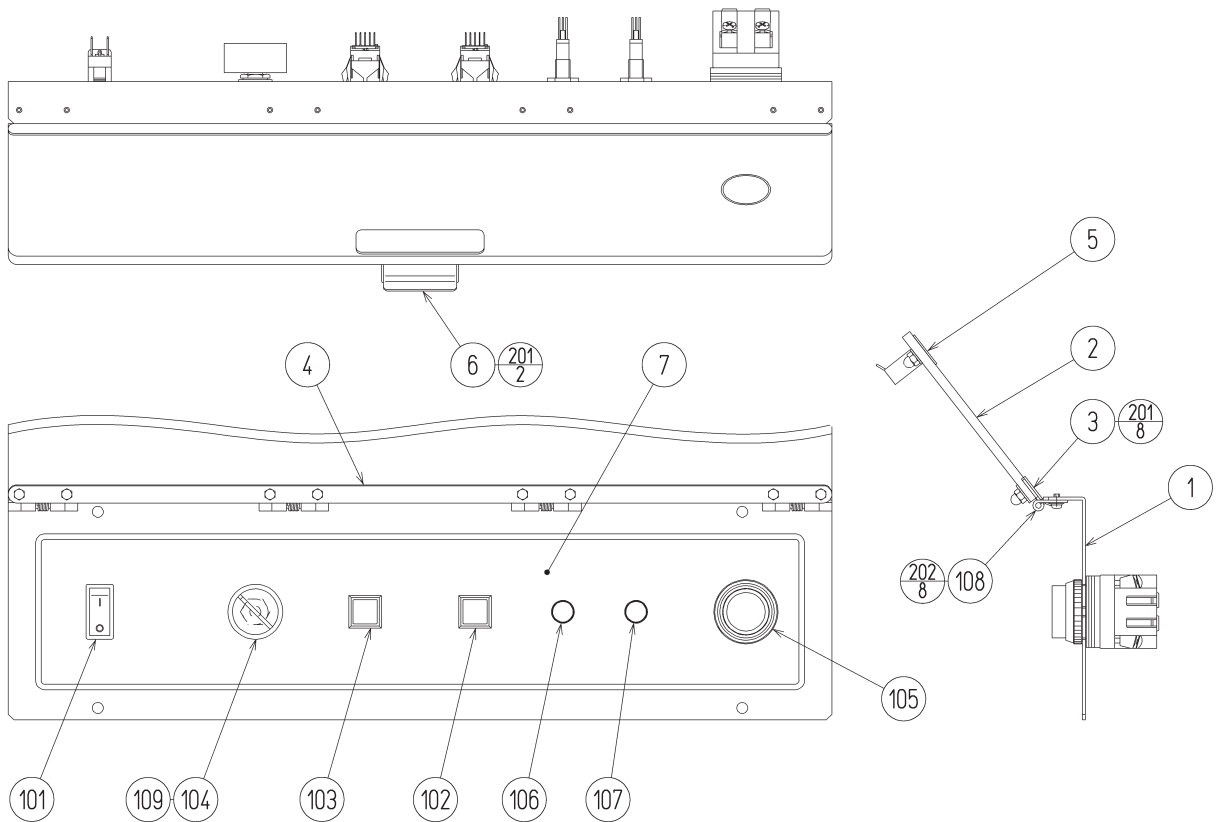
ITEM NO.	PART NO.	DESCRIPTION	NOTE
1	HSP-0571X	METER BRKT	
2	421-9168-01	STICKER COIN METER	
101	220-5798-01	MAG CNTR 4P MZ674-DC5V-D41 JC	
102	220-5798-02	MAG CNTR 6P MZ674-DC5V-D42 JC	
103	601-5525-027	BUSH 1.2T	

6 FAN UNIT (STR-1070)



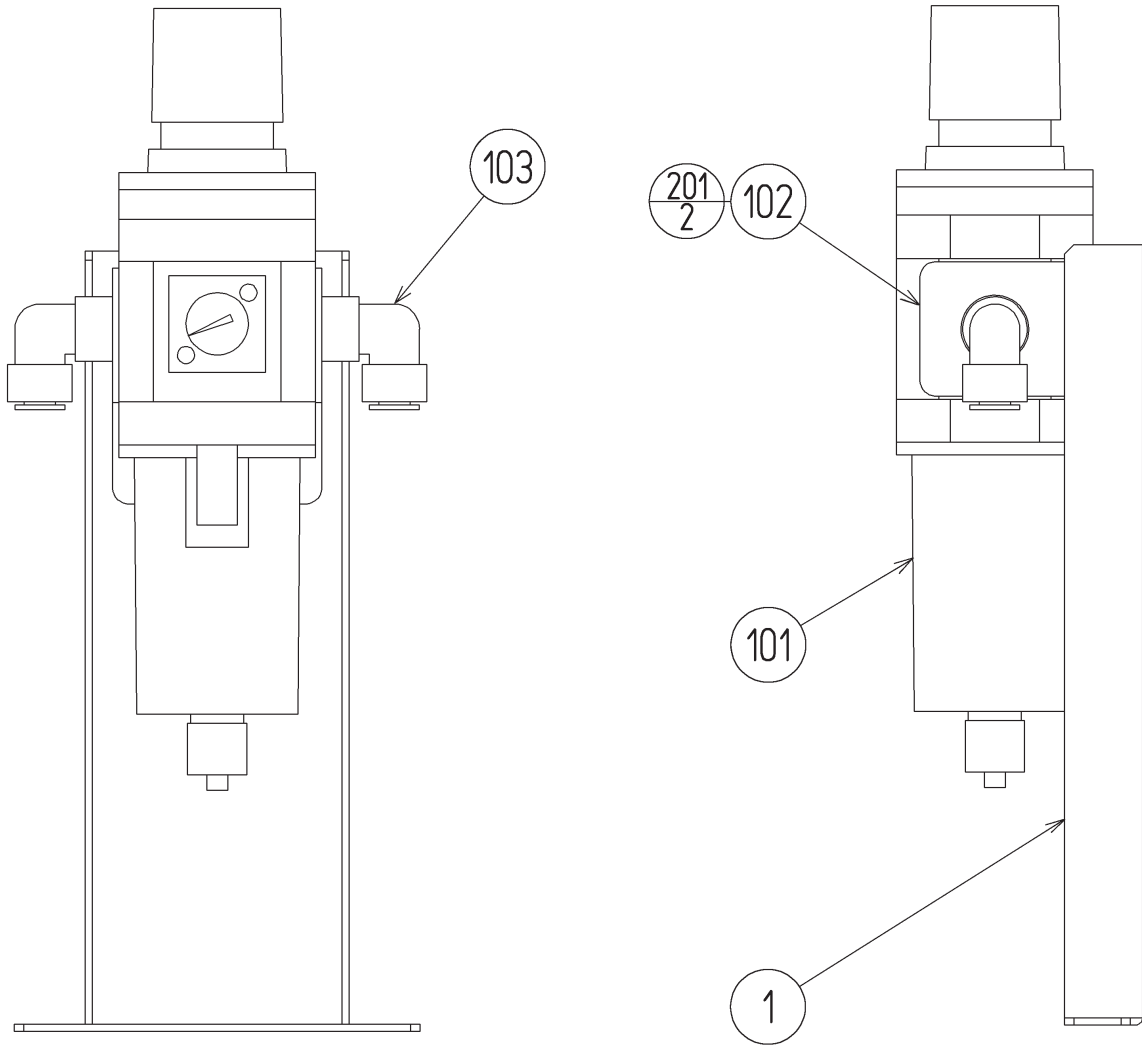
ITEM NO.	PART NO.	DESCRIPTION	NOTE
1	105-5340-01	FAN BRKT LONG	
101	260-0011-03	AXIAL FLOW FAN AC100V 50-60HZ	
102	601-8543	FAN GUARD	
201	000-P00312-W	M SCR PH W/FS M3x12	

7 ASSY CONTROL TOWER PANEL (HSP-0530)



ITEM NO.	PART NO.	DESCRIPTION	NOTE
1	HSP-0531	CONTROL TOWER PANEL BASE	
2	HSP-0532X	TOWER PANEL LID	
3	HSP-0533X	PANEL LID HOLDER	
4	HSP-0534	PANEL LID PLATE	
5	HSP-0535	PANEL LOCK PLATE	
6	HSP-0536	PANEL LOCK BRKT	
7	HSP-0537	STICKER TOWER PANEL	
101	509-6102-V-B	SW ROCKER J8 V-B AJ8202BF	
102	509-6107	SW PB LB-15SKG4-41MMMS	
103	509-6107-01	SW PB LB-15SKG4-41YMY	
104	509-6108	SW ROTARY HS-13Y	
105	509-6109-91	SW PB ABN2F10R ROHS	
106	390-6824	LED LAMP RED AP10-4RA3	
107	390-6824-01	LED LAMP GREEN AP10-4GA3	
108	601-11708	SP HINGE TOCHIGIYA TH-61B-2	
109	601-11694-91	KNOB B-30-1T	
110	310-5029-F20	SUMITUBE F F 20MM	
111	280-5275-SR10	CORD CLAMP SR10	
201	050-C00300-3C	CAP NUT TYPE3 CRM M3	
202	000-P00306-WB	M SCR PH BLK M3x6	
301	HSP-60009X	WH CONTROL PANEL	
302	HSP-60010X	WH MAIN SW	
303	HSP-60011X	WH START SW	
304	HSP-60020	WH SAFETY TO ERROR +5V	
305	HSP-60021X	WH ERROR TO RESET +5V	

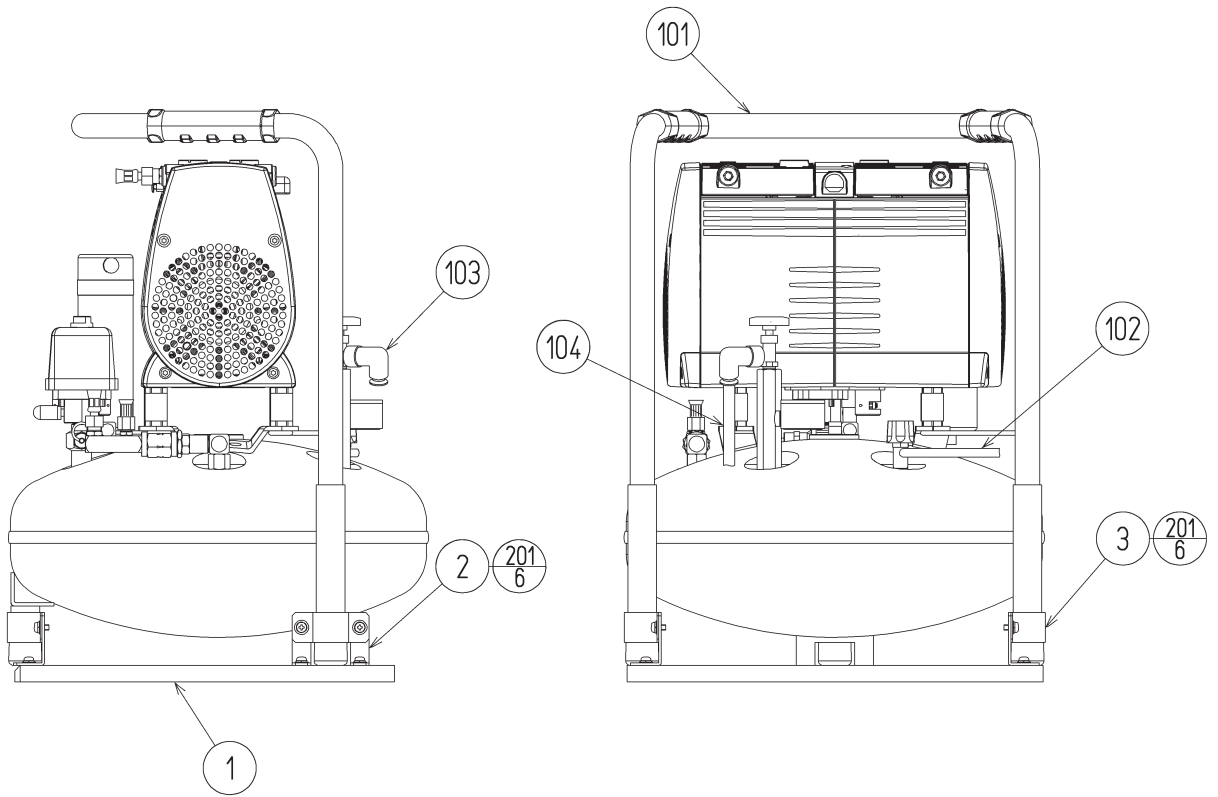
8 ASSY REGULATOR (HSP-0580)



ITEM NO.	PART NO.	DESCRIPTION	NOTE
1	HSP-0552	REGULATOR BRKT	
101	601-11783	REGULATOR CKD W3000-8-F1	
102	601-6818	BRKT REGULATOR C-TYPE (B320)	
103	601-6274	AIR JOINT (EL10-PT1/4)	
201	000-P00408-W	M SCR PH W/FS M4x8	

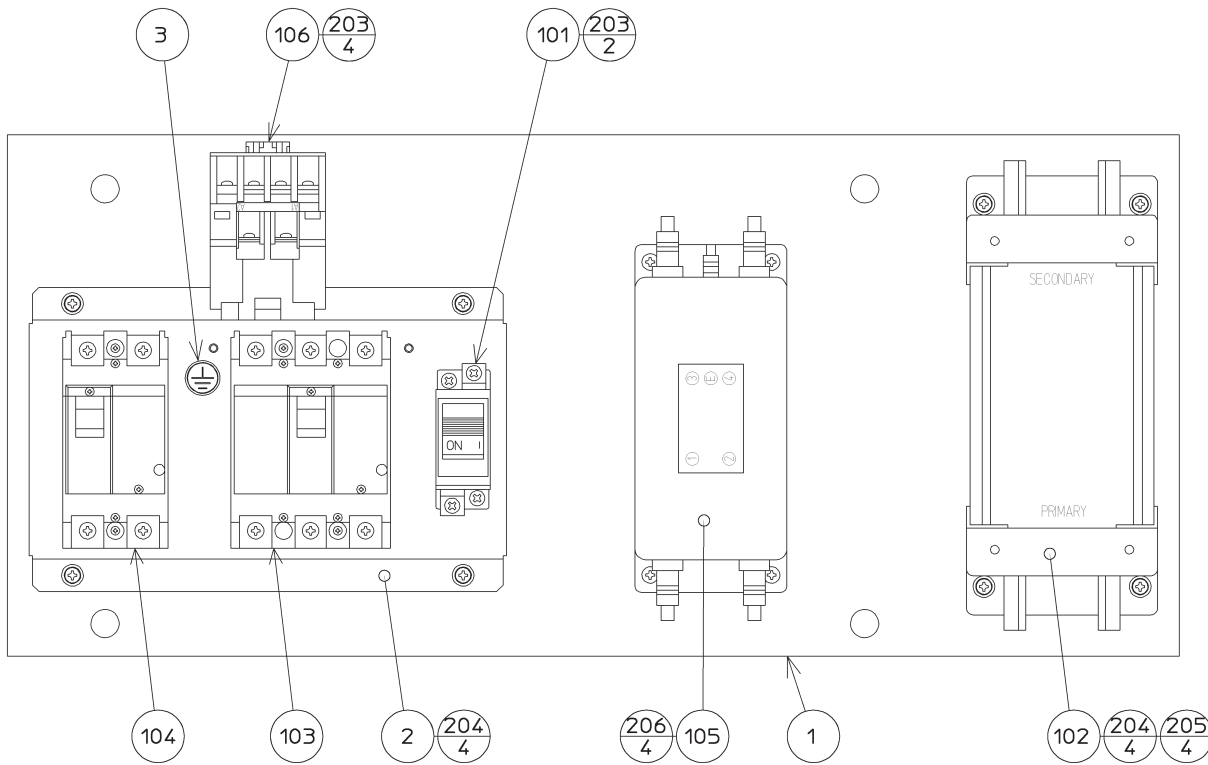
9 ASSY COMPRESSOR (HSP-0590)

MAIN CABINET



ITEM NO.	PART NO.	DESCRIPTION	NOTE
1	HSP-0555	COMPRESSOR BASE FOR JUN-AIR	
2	HSP-0556X	COMPRESSOR FOOT BRKT	
3	HSP-0559	COMPRESSOR FOOT HOLDER	
101	601-11785-04	COMPR JUN-AIR OF302-15B CE	<Hong Kong, CE>
102	601-11741-B1000	AIR TUBE TS0806B 1000MM	
103	601-11756	JOINT 10-1/4 SMC KQ2LF10-02	
104	601-6844-80650	AIR TUBE 10-BLACK-650	
201	000-P00516-W	M SCR PH W/FS M5x16	
301	HSP-65004X	WH COMPRESSOR	

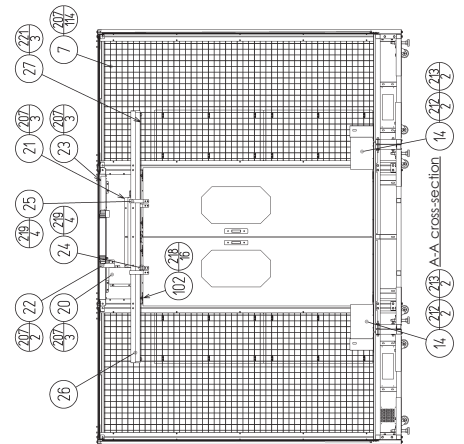
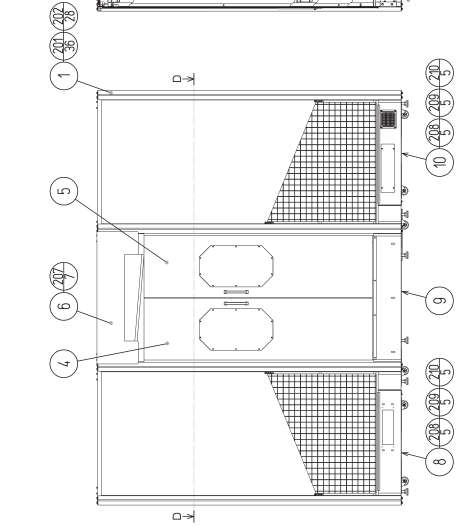
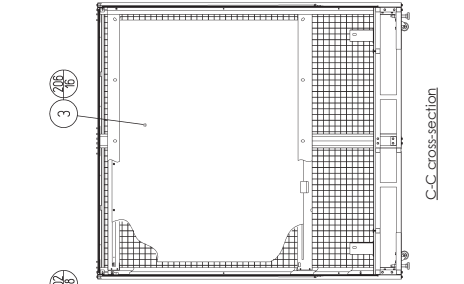
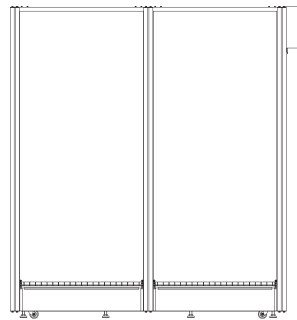
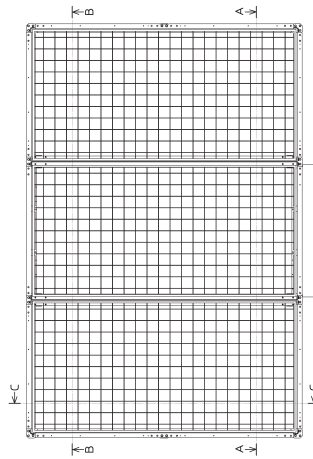
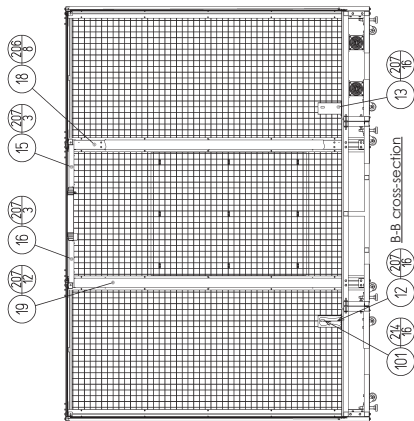
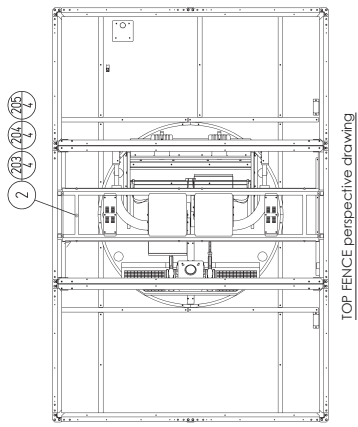
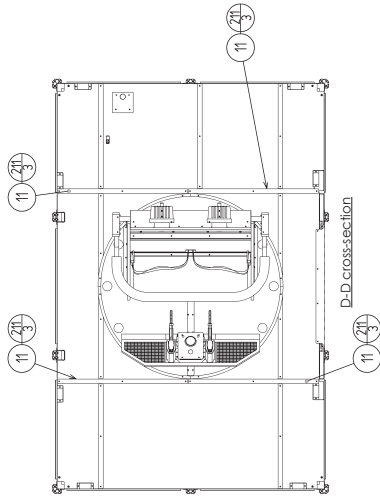
10 ASSY BREAKER BASE (HSP-4200)



ITEM NO.	PART NO.	DESCRIPTION	NOTE
1	HSP-4201	BREAKER BASE	
2	HSP-4202-01	BREAKER BRKT EXP	
3	421-8202	STICKER EARTH MARK	
101	512-5013-5	CIRCUIT PROTECTOR 5A	<Hong Kong, CE>
102	560-5549-V-91	XFMR 200-230V 230V 100V 24V WB	<Hong Kong, CE>
103	512-5088	BREAKER EA33AC/10	
104	512-5087	BREAKER EA32AC/20	
105	270-5161	NOISE FILTER HFP-2303	
106	450-5198	CONTACTOR SC-4-0 AC240V 1A	<Hong Kong, CE>
109	280-5277	CORD CLAMP 18	
110	280-0419	HARNESS LUG	
201	011-F00312	TAP SCR #1 FH 3x12	
202	011-T03512	TAP SCR TH 3.5x12	
203	FAS-000134	M SCR PH W/SMALL FS BLK M4x12	
204	000-P00416-W	M SCR PH W/FS M4x16	
205	068-441616	FLT WSHR 4.4-16x1.6	
206	011-T03516	TAP SCR TH 3.5x16	
301	HSP-60012X	WH 2P BREAKER OUT	
302	HSP-60013X	WH 2P CT OUT	
303	HSP-60014X	WH 2P NF OUT	
304	HSP-60015X	WH TOWER 2P TR IN	
305	HSP-65005	WH EXT COMPRESSOR	
306	HSP-60017X	WH 3P BREAKER OUT	

11 ASSY CABINET (HSP-1000)

(D-1/2)



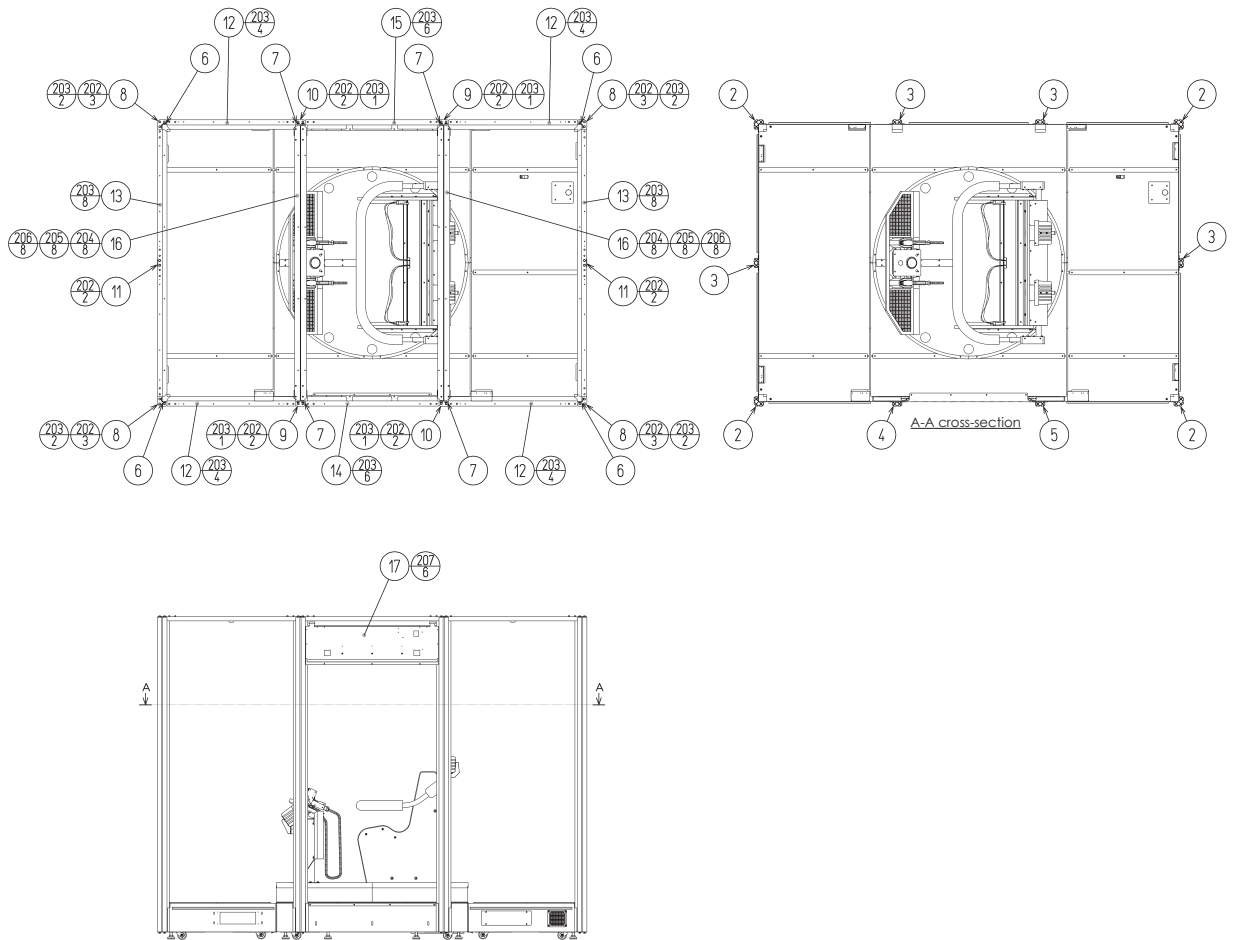
11 ASSY CABINET (HSP-1000)**(D-2/2)**

ITEM NO.	PART NO.	DESCRIPTION	NOTE
1	HSP-1100	ASSY FRAMEWORK	
2	HSP-1200	ASSY PROJECTOR	
3	HSP-1300	ASSY SCREEN	
4	HSP-1400	ASSY DOOR L	
5	HSP-1450	ASSY DOOR R	
6	HSP-1500	ASSY GUILLOTINE	
7	HSP-1600	ASSY FENCE	
8	HSP-3100	ASSY FRONT BASE	
9	HSP-3200	ASSY MIDDLE BASE	
10	HSP-3300	ASSY REAR BASE	
11	HSP-1001	FLOOR SASH M	
12	HSP-1002	FOOT SENSOR BRKT	
13	HSP-1003	FOOT SENSOR COVER	
14	HSP-1004	SENSOR GUARD BRKT	
15	HSP-1005	WIRE COVER DUCT-DLP DC	
16	HSP-1006	WIRE COVER DUCT-DLP AC	
18	HSP-1008	WIRE DUCT	
19	HSP-1009	WIRE DUCT COVER	
20	HSP-1010	DOOR SENSOR COVER A	
21	HSP-1011	DOOR SENSOR COVER B	
22	HSP-1012	DOOR WIRE COVER	
23	HSP-1013	OPTION WIRE COVER	
24	HSP-1405	DOOR BRKT	
25	HSP-1406	REFLECTOR BRKT	
26	HSP-1150	ASSY DOOR FRAME	
27	HSP-1154	SYNCHRO ROPE	
101	370-5285-91	PHOTO SENSOR ZT-1200N ROHS	
102	601-11748	DOOR HANGER (HAWA 17024)	
201	FAS-300046	HEX BLT CROSS W/FS BLK M8x18	
202	FAS-300047	HEX BLT CROSS W/FS BLK M8x55	
203	060-F00800-0B	FLT WSHR BLK M8	
204	050-U00800	U NUT M8	
205	FAS-500002	CAP NUT BLK M8	
206	FAS-300044	HEX BLT CROSS W/FS BLK M6x18	
207	000-P00408-WB	M SCR PH W/FS BLK M4x8	
208	FAS-200057	HEX SKT CAP SCR BLK OZ M10x120	
209	060-S01000	SPR WSHR M10	
210	068-A52820	FLT WSHR 10.5-28x2	
211	000-T00425-0C	M SCR TH CRM M4x25	
212	000-T00420-0B	M SCR TH BLK M4x20	
213	068-441616-0B	FLT WSHR BLK 4.4-16x1.6	
214	000-P00310-WB	M SCR PH W/FS BLK M3x10	
215	000-P00408	M SCR PH M4x8	
216	060-S00400	SPR WSHR M4	
217	060-F00400	FLT WSHR M4	
218	000-P00510-S	M SCR PH W/S M5x10	
219	000-T00425-0B	M SCR TH BLK M4x25	
220	FAS-300045	HEX BLT CROSS W/FS BLK M6x55	
221	000-P00512-WB	M SCR PH W/FS BLK M5x12	

1 MAIN CABINET

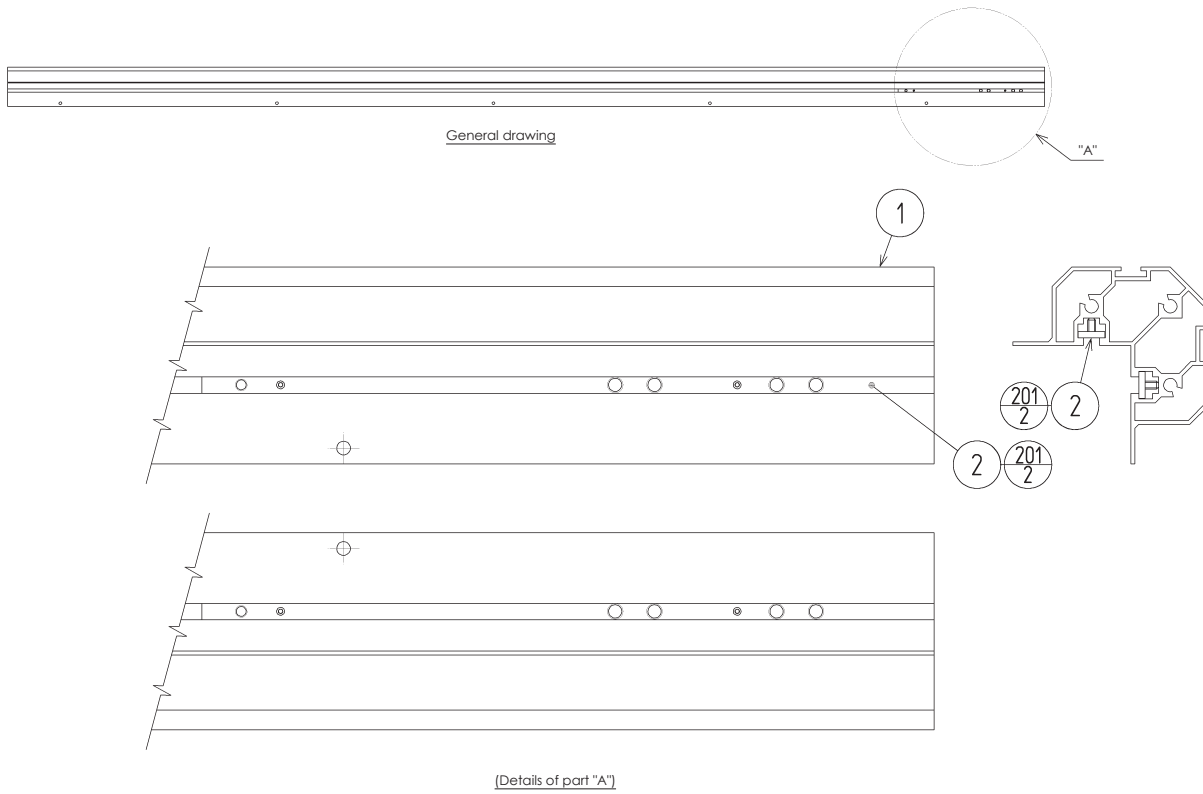
12 ASSY FRAMEWORK (HSP-1100)

MAIN CABINET



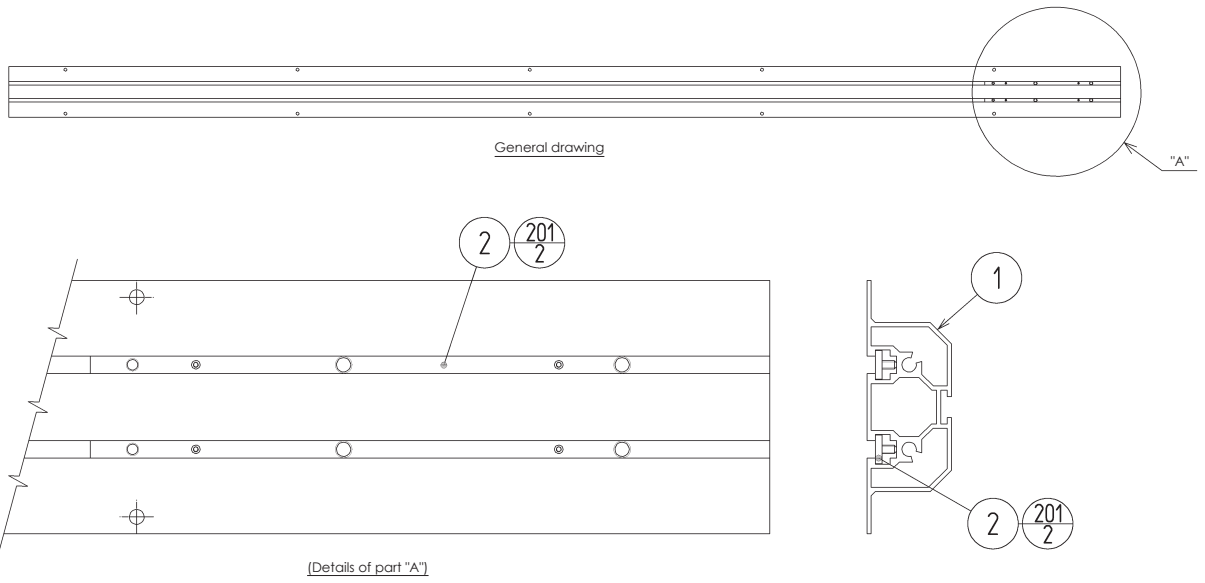
ITEM NO.	PART NO.	DESCRIPTION	NOTE
2	HSP-1160	ASSY PILLAR COR	
3	HSP-1170	ASSY PILLAR STR	
4	HSP-1180	ASSY PILLAR STR DOOR L	
5	HSP-1190	ASSY PILLAR STR DOOR R	
6	HSP-1101	T BAR FOR COR	
7	HSP-1102	T BAR FOR T	
8	HSP-1103	UPPER BRKT COR	
9	HSP-1104	UPPER BRKT T A	
10	HSP-1105	UPPER BRKT T B	
11	HSP-1106	UPPER BRKT STR	
12	HSP-1107	UPPER BEAM A (SIDE)	
13	HSP-1108	UPPER BEAM B (SCREEN)	
14	HSP-1109X	UPPER BEAM C (MIDDLE L)	
15	HSP-1110	UPPER BEAM D (MIDDLE R)	
16	HSP-1111	UPPER BEAM E (MIDDLE C)	
17	HSP-1112	DOOR BASE	
202	FAS-300046	HEX BLT CROSS W/FS BLK M8x18	
203	FAS-300044	HEX BLT CROSS W/FS BLK M6x18	
204	050-H00600-0B	HEX NUT BLK M6	
205	060-S00600-0B	SPR WSHR BLK M6	
206	060-F00600-0B	FLT WSHR BLK M6	
207	000-P00408-WB	M SCR PH W/FS BLK M4x8	

13 ASSY PILLAR COR (HSP-1160)



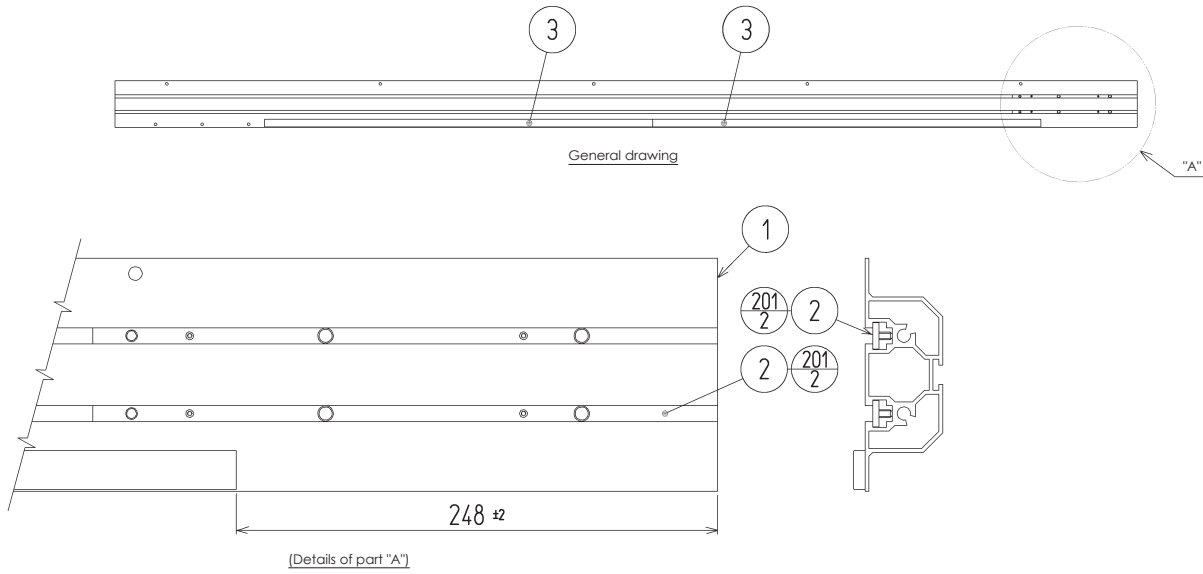
ITEM NO.	PART NO.	DESCRIPTION	NOTE
1	HSP-1161	PILLAR COR	
2	HSP-1162	PILLAR PLATE COR	
201	028-A00410-P	SET SCR HEX SKT CUP P M4x10	

14 ASSY PILLAR STR (HSP-1170)



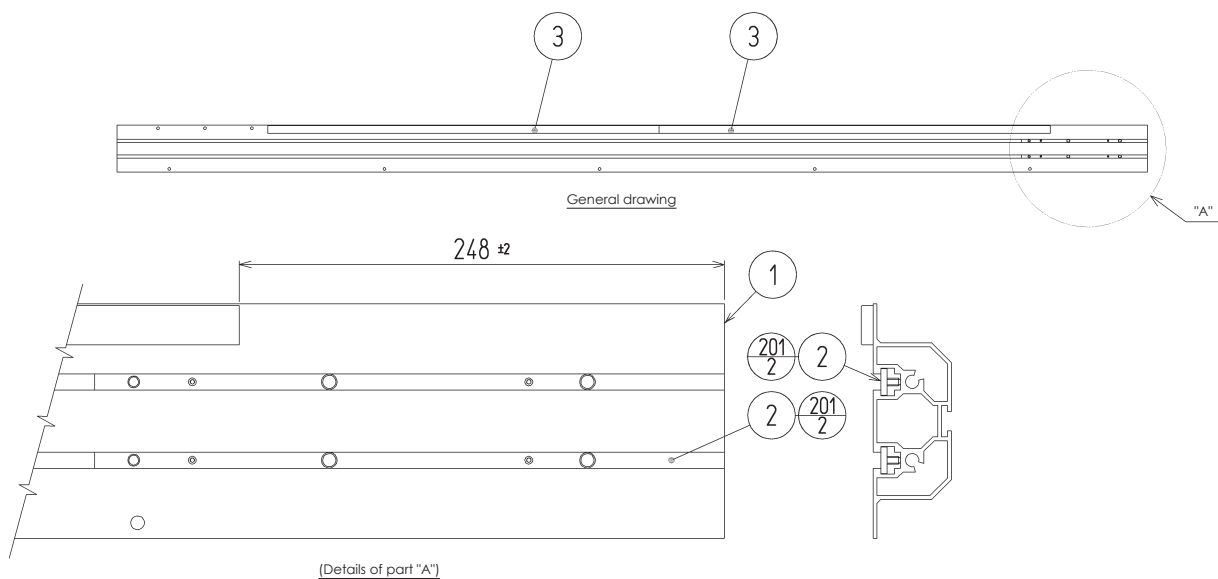
ITEM NO.	PART NO.	DESCRIPTION	NOTE
1	HSP-1171	PILLAR STR	
2	HSP-1172	PILLAR PLATE STR	
201	028-A00410-P	SET SCR HEX SKT CUP P M4x10	

15) ASSY PILLAR STR DOOR L (HSP-1180)



ITEM NO.	PART NO.	DESCRIPTION	NOTE
1	HSP-1181	PILLAR STR DOOR L	
2	HSP-1172	PILLAR PLATE STR	
3	HSP-1183	DOOR SPACER PLATE	
201	028-A00410-P	SET SCR HEX SKT CUP P M4x10	

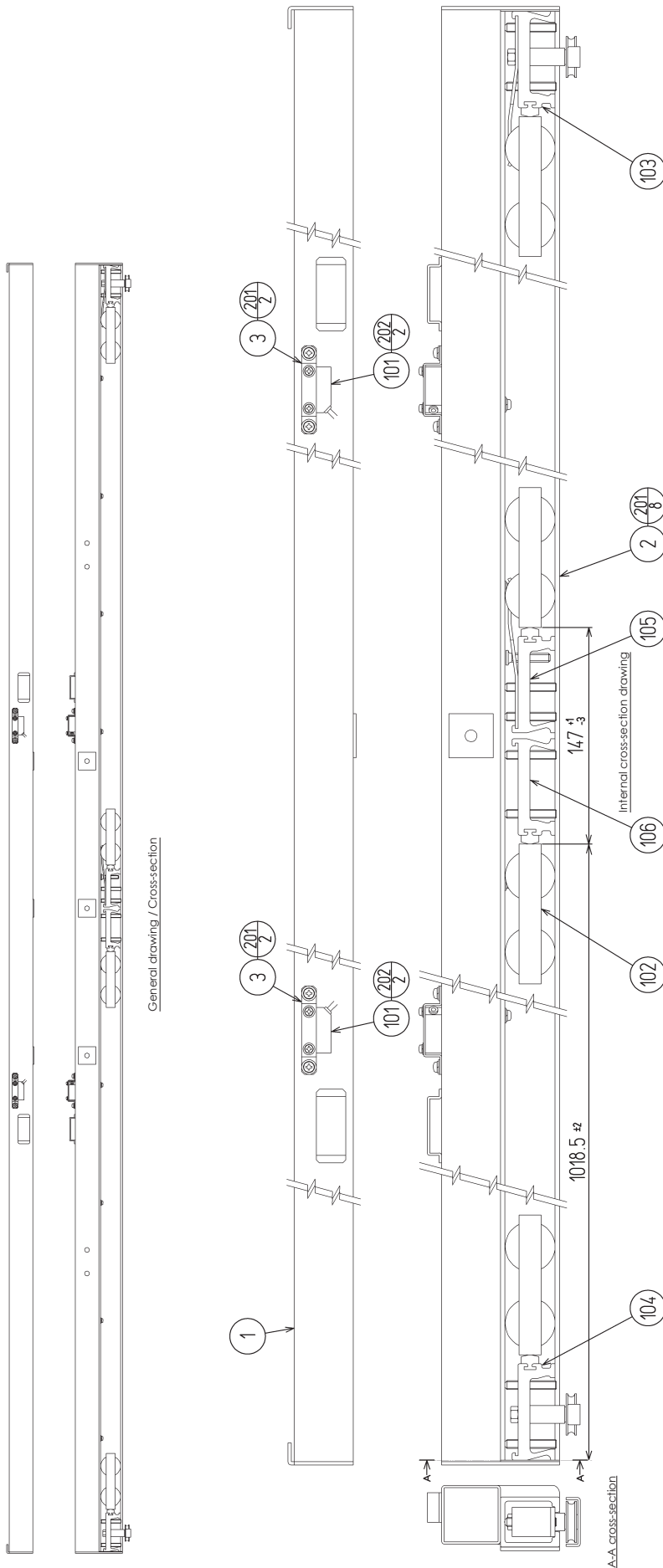
16 ASSY PILLAR STR DOOR R (HSP-1190)



ITEM NO.	PART NO.	DESCRIPTION	NOTE
1	HSP-1191	PILLAR STR DOOR R	
2	HSP-1172	PILLAR PLATE STR	
3	HSP-1183	DOOR SPACER PLATE	
201	028-A00410-P	SET SCR HEX SKT CUP P M4x10	

17 ASSY DOOR FRAME (HSP-1150)

(D-1/2)

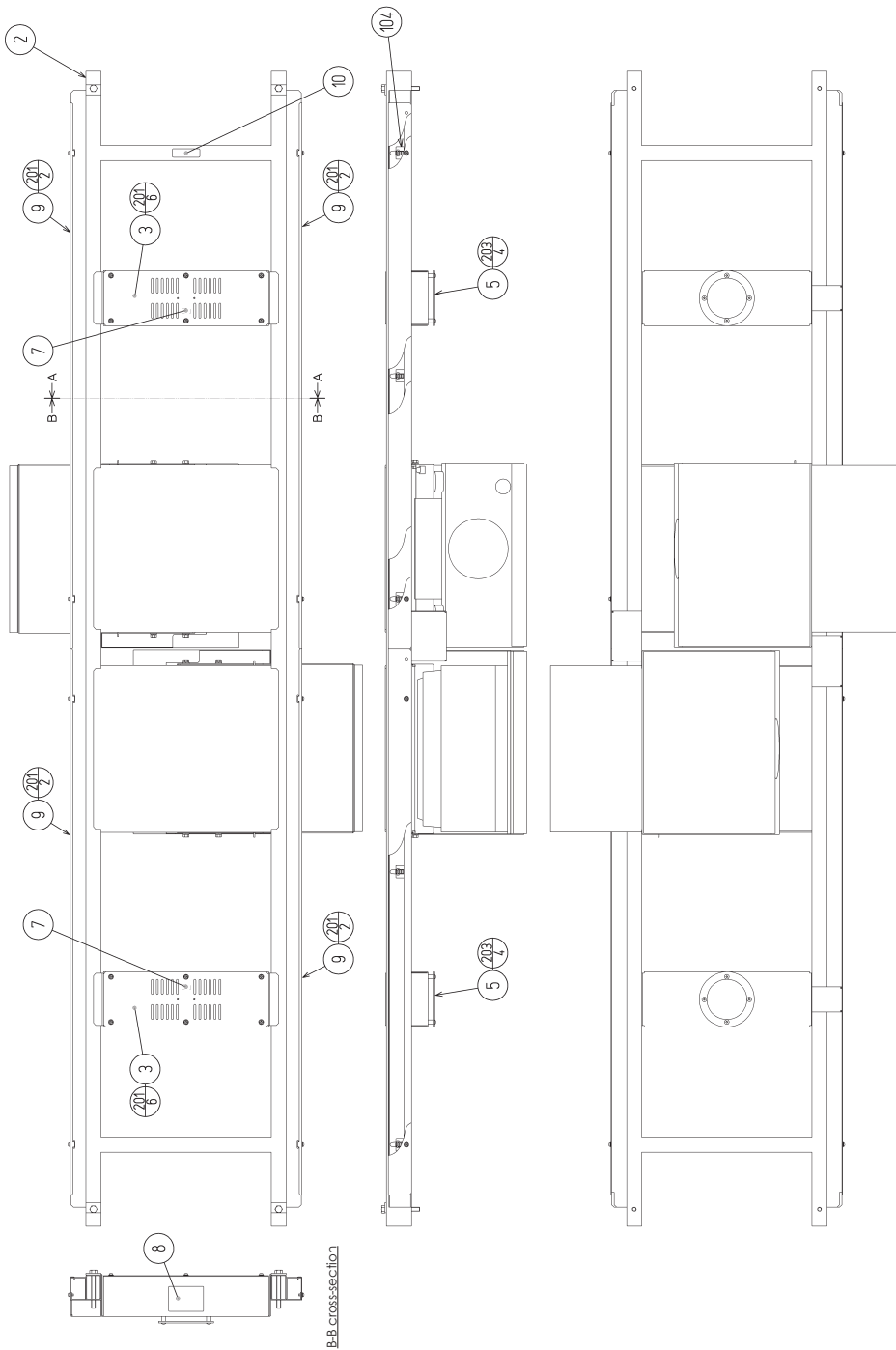
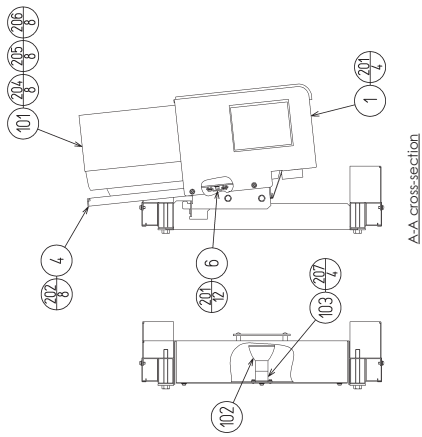


17 ASSY DOOR FRAME (HSP-1150)**(D-2/2)**

ITEM NO.	PART NO.	DESCRIPTION	NOTE
1	HSP-1151	DOOR FRAME	
2	HSP-1152	DOOR RAIL	
3	HSP-1153	DOOR SENSOR BRKT	
101	370-5286	PHOTO SENSOR ZD-L09N(OPTEX)	
102	601-11743	DOOR ROLLER (HAWA 10407)	
103	601-11744	DOOR STOPPER W/ROLLER&SPRING	
104	601-11745	DOOR STOPPER W/ROLLER	
105	601-11746	DOOR STOPPER W/SPRING	
106	601-11747	DOOR STOPPER	
201	000-P00408-WB	M SCR PH W/FS BLK M4x8	
202	000-P00308-W	M SCR PH W/FS M3x8	

18 ASSY PROJECTOR (HSP-1200)

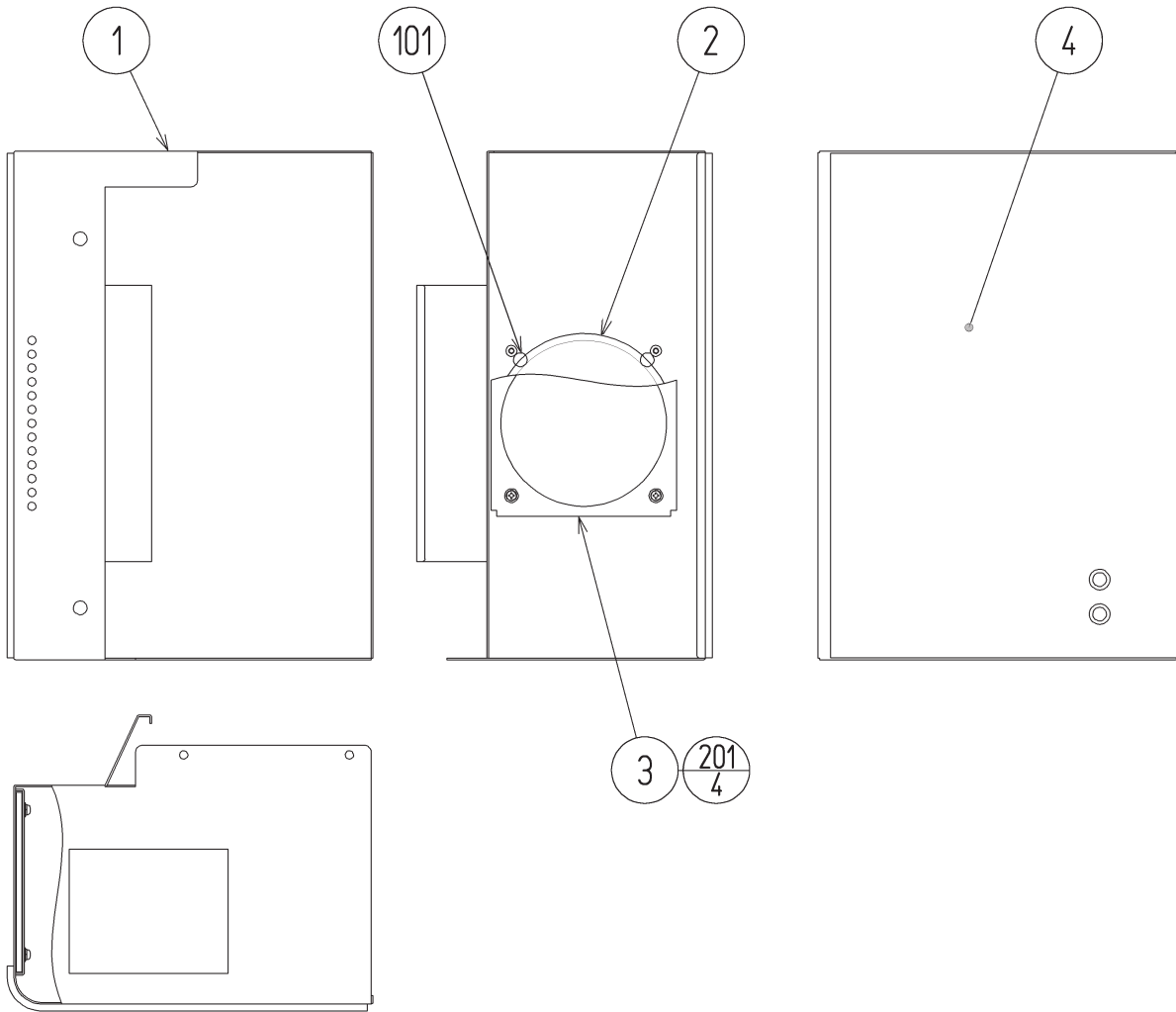
(D-1/2)



18 ASSY PROJECTOR (HSP-1200)**(D-2/2)****MAIN CABINET**

ITEM NO.	PART NO.	DESCRIPTION	NOTE
1	HSP-1250	ASSY DLP FRONT COVER	
2	HSP-1201X	DLP BASE	
3	HSP-1202X	LAMP BASE	
4	HSP-1203	DLP SET BASE	
5	HSP-1204	LAMP COVER PLATE	
6	HSP-1205	BOLT HOLDER	
7	421-7501-34	STICKER 110V 40W	
8	440-WS0300-EG	STICKER W POWER OFF & HI TEMP EG	
9	HSP-1007	WIRE COVER DLP BASE	
101	200-6029-02	DLP PJTR PT-D3500E W/LENS	
102	390-6732-40W	HALOGEN LAMP JDR110V40WLW/K	
103	214-0278	HLGN SOCKET E11 W/CONN VL ROHS	
104	280-5277	CORD CLAMP 18	
201	000-P00408-WB	M SCR PH W/FS BLK M4x8	
202	FAS-300044	HEX BLT CROSS W/FS BLK M6x18	
203	000-T00408-0C	M SCR TH CRM M4x8	
204	020-000412-0Z	HEX SKT H CAP SCR BLK OZ M4x12	
205	060-S00400	SPR WSHR M4	
206	060-F00400	FLT WSHR M4	
207	000-P00306-S	M SCR PH W/S M3x6	
301	HSP-61001	WH DR SENSOR H	
302	HSP-65016	WH DLP AC INLET PLG CE	
303	HSP-65020	WH EXT AC C	
/	050-H00400	HEX NUT M4	
/	060-S00400	SPR WSHR M4	
/	060-F00400	FLT WSHR M4	

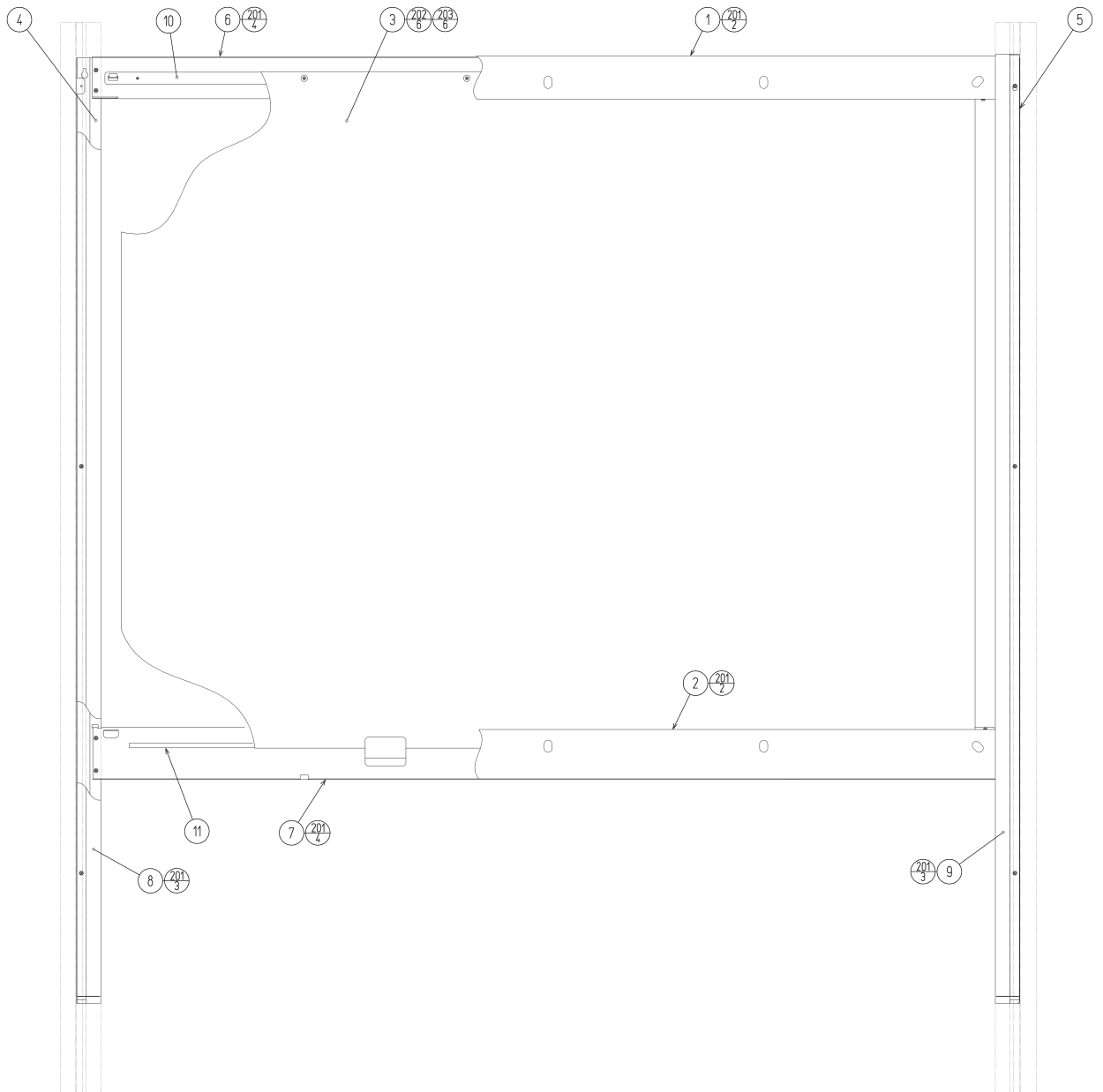
19 ASSY DLP FRONT COVER (HSP-1250)



ITEM NO.	PART NO.	DESCRIPTION	NOTE
1	HSP-1251	DLP FRONT COVER	
2	HSP-1252	LENS COVER	
3	HSP-1253	LENS COVER HOLDER	
4	HSP-1254	CUSHION SPONGE PJTR	
101	280-6691	RUBBER TOCHIGIYA TM-182-832-10	
201	000-P00410-WB	M SCR PH BLK W/FS M4x10	

20 ASSY SCREEN (HSP-1300)

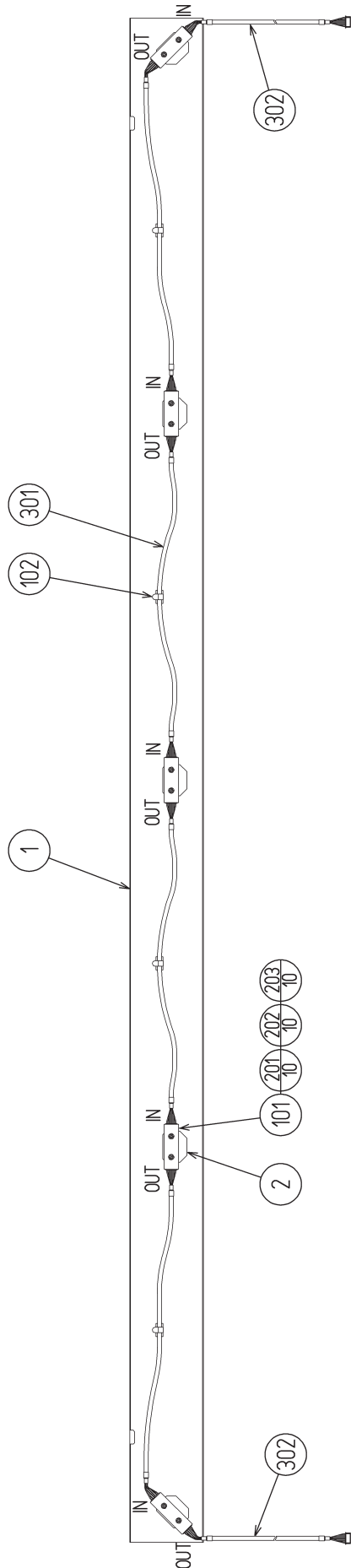
MAIN CABINET



ITEM NO.	PART NO.	DESCRIPTION	NOTE
1	HSP-1350	ASSY SCREEN SENSOR UPPER	
2	HSP-1360	ASSY SCREEN SENSOR LOWER	
3	HSP-1301	SCREEN	
4	HSP-1302	SCREEN FRAME L	
5	HSP-1303	SCREEN FRAME R	
6	HSP-1304	SCREEN BASE UPPER	
7	HSP-1305	SCREEN BASE LOWER	
8	HSP-1306	WIRE COVER SCREEN L	
9	HSP-1307	WIRE COVER SCREEN R	
10	HSP-1308	SCREEN BAR UPPER	
11	HSP-1309	SCREEN BAR LOWER	
201	000-P00408-WB	M SCR PH W/FS BLK M4x8	
202	000-P00412-S	M SCR PH W/S M4x12	
203	068-441616	FLT WSHR 4.4-16x1.6	
204	000-P00408	M SCR PH M4x8	
205	060-S00400	SPR WSHR M4	
206	060-F00400	FLT WSHR M4	

21 ASSY SCREEN SENSOR UPPER (HSP-1350)

(D-1/2)



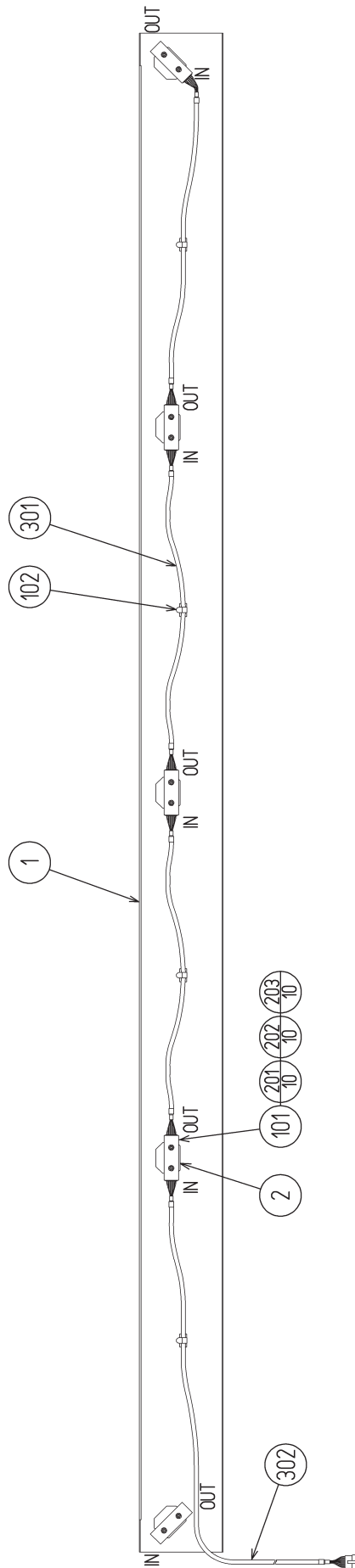
21 ASSY SCREEN SENSOR UPPER (HSP-1350)**(D-2/2)**

ITEM NO.	PART NO.	DESCRIPTION	NOTE
1	HSP-1351	SENSOR MASK UPPER	
2	JPT-1082	IR COVER	
101	838-13145R01	LED BD GUN SENSE JPS	
102	280-5275-SR10	CORD CLAMP SR10	
201	050-U00300	U NUT M3	
202	069-000034-PN	FLT WSHR PLASTIC BLK 3-8x1	
203	FAS-680016	FLT WSHR NI 3-10x0.5	
301	HSP-61004	WH GUN LED H	
302	HSP-61005	WH GUN LED V	

MAIN CABINET

22 ASSY SCREEN SENSOR LOWER (HSP-1360)

(D-1/2)



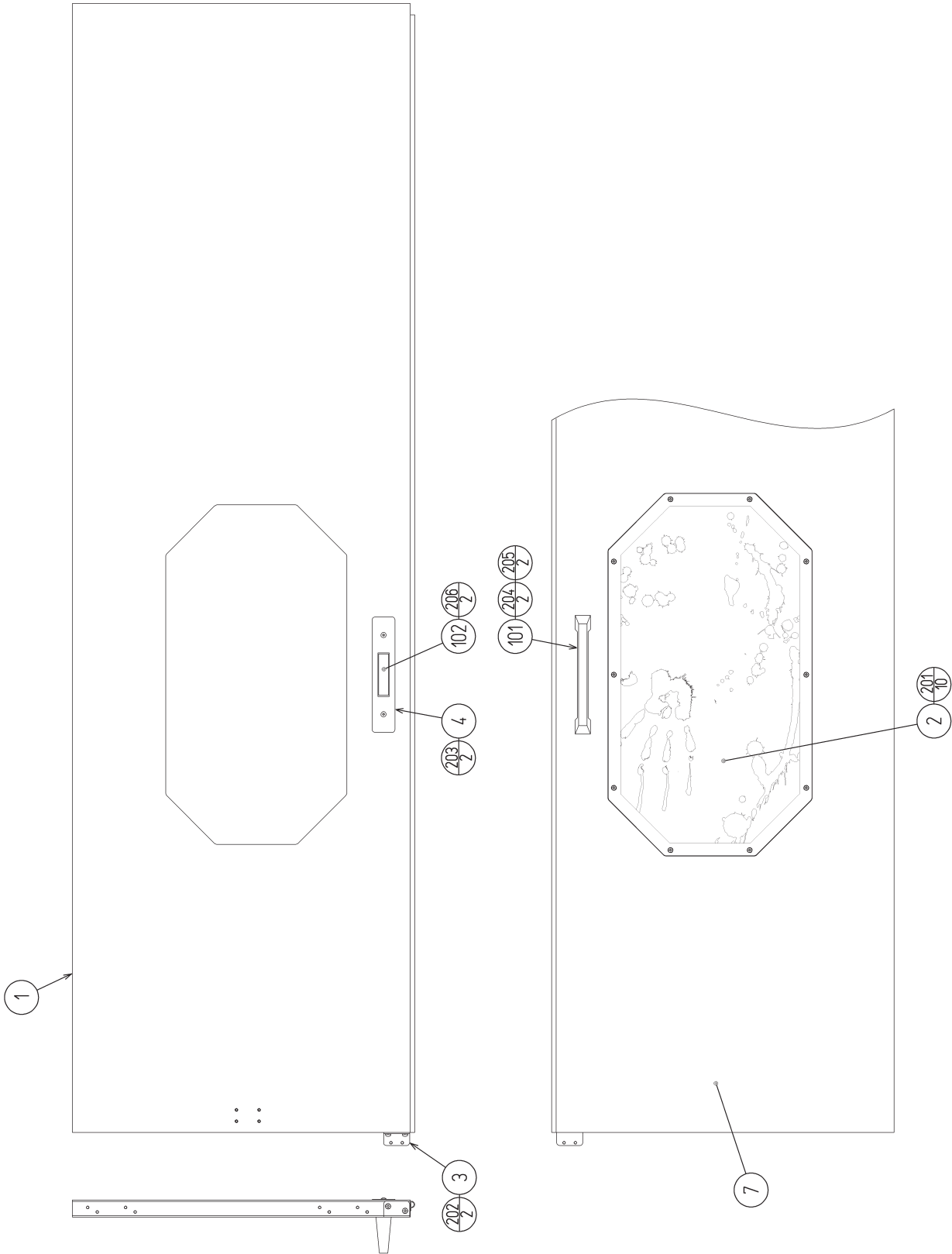
22 ASSY SCREEN SENSOR LOWER (HSP-1360)**(D-2/2)**

ITEM NO.	PART NO.	DESCRIPTION	NOTE
1	HSP-1361	SENSOR MASK LOWER	
2	JPT-1082	IR COVER	
101	838-13145R01	LED BD GUN SENSE JPS	
102	280-5275-SR10	CORD CLAMP SR10	
201	050-U00300	U NUT M3	
202	069-000034-PN	FLT WSHR PLASTIC BLK 3-8x1	
203	FAS-680016	FLT WSHR NI 3-10x0.5	
301	HSP-61004	WH GUN LED H	
302	HSP-61010	WH GUN LED SCRNL LOWER	

MAIN CABINET

23 ASSY DOOR L (HSP-1400)

(D-1/2)



23 ASSY DOOR L (HSP-1400)**(D-2/2)**

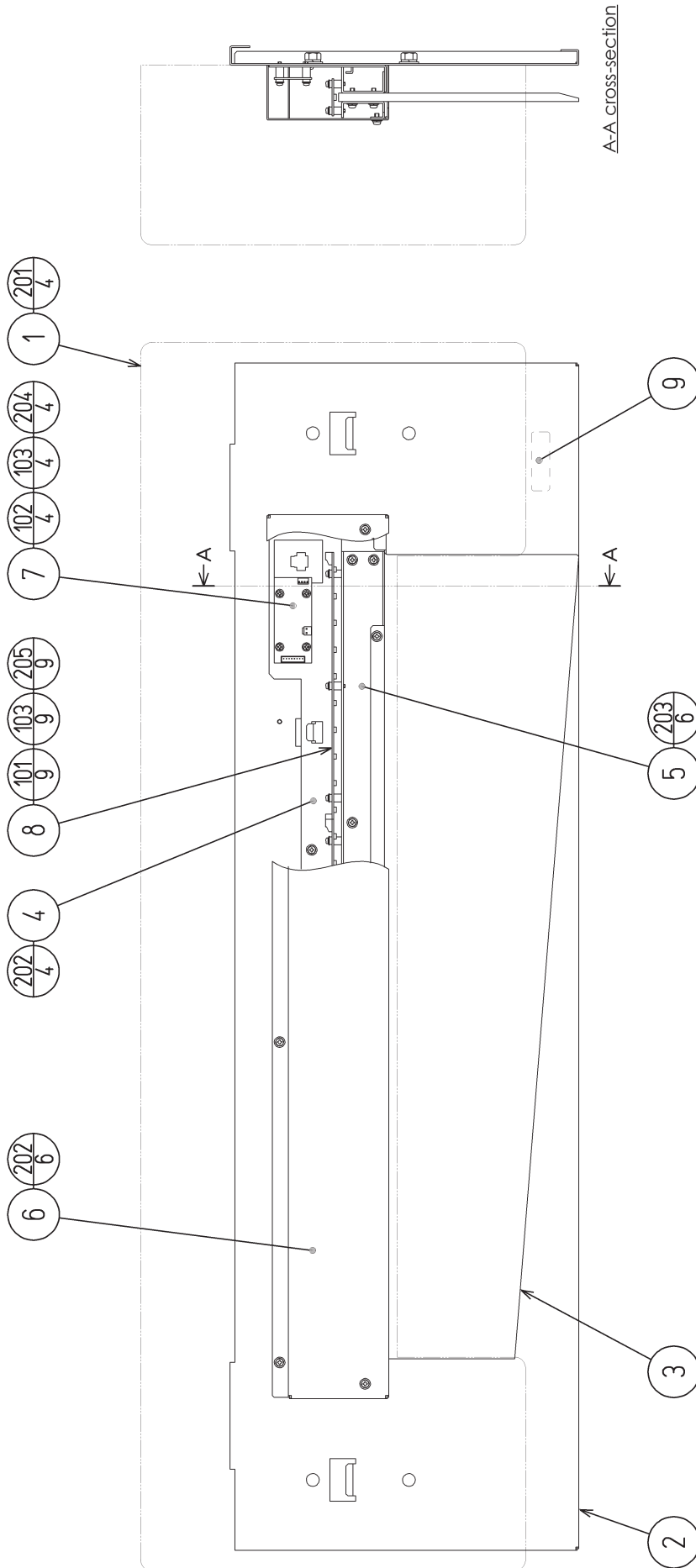
ITEM NO.	PART NO.	DESCRIPTION	NOTE
1	HSP-1401	DOOR L	
2	HSP-1402	WINDOW L	
3	HSP-1403	SYNCHRO BRKT	
4	HSP-1404	HANDLE PLATE	
7	HSP-1407	STICKER DOOR L	
101	109-5042	LARGE HANDLE TOCHIGIYA THA-187	
102	109-5043	HANDLE TAKIGEN A-1157-1	
201	000-F00420-0B	M SCR FH BLK M4x20	
202	000-P00510-S	M SCR PH W/S M5x10	
203	000-T00425-0B	M SCR TH BLK M4x25	
204	030-000840-S	HEX BLT W/S M8x40	
205	060-F00800	FLT WSHR M8	
206	050-F00300	FLG NUT M3	

24 ASSY DOOR R (HSP-1450)**(D-2/2)**

ITEM NO.	PART NO.	DESCRIPTION	NOTE
1	HSP-1451	DOOR R	
2	HSP-1452	WINDOW R	
3	HSP-1403	SYNCHRO BRKT	
4	HSP-1404	HANDLE PLATE	
7	HSP-1453	STICKER DOOR R	
101	109-5042	LARGE HANDLE TOCHIGIYA THA-187	
102	109-5043	HANDLE TAKIGEN A-1157-1	
201	000-F00420-0B	M SCR FH BLK M4x20	
202	000-P00510-S	M SCR PH W/S M5x10	
203	000-T00425-0B	M SCR TH BLK M4x25	
204	030-000840-S	HEX BLT W/S M8x40	
205	060-F00800	FLT WSHR M8	
206	050-F00300	FLG NUT M3	

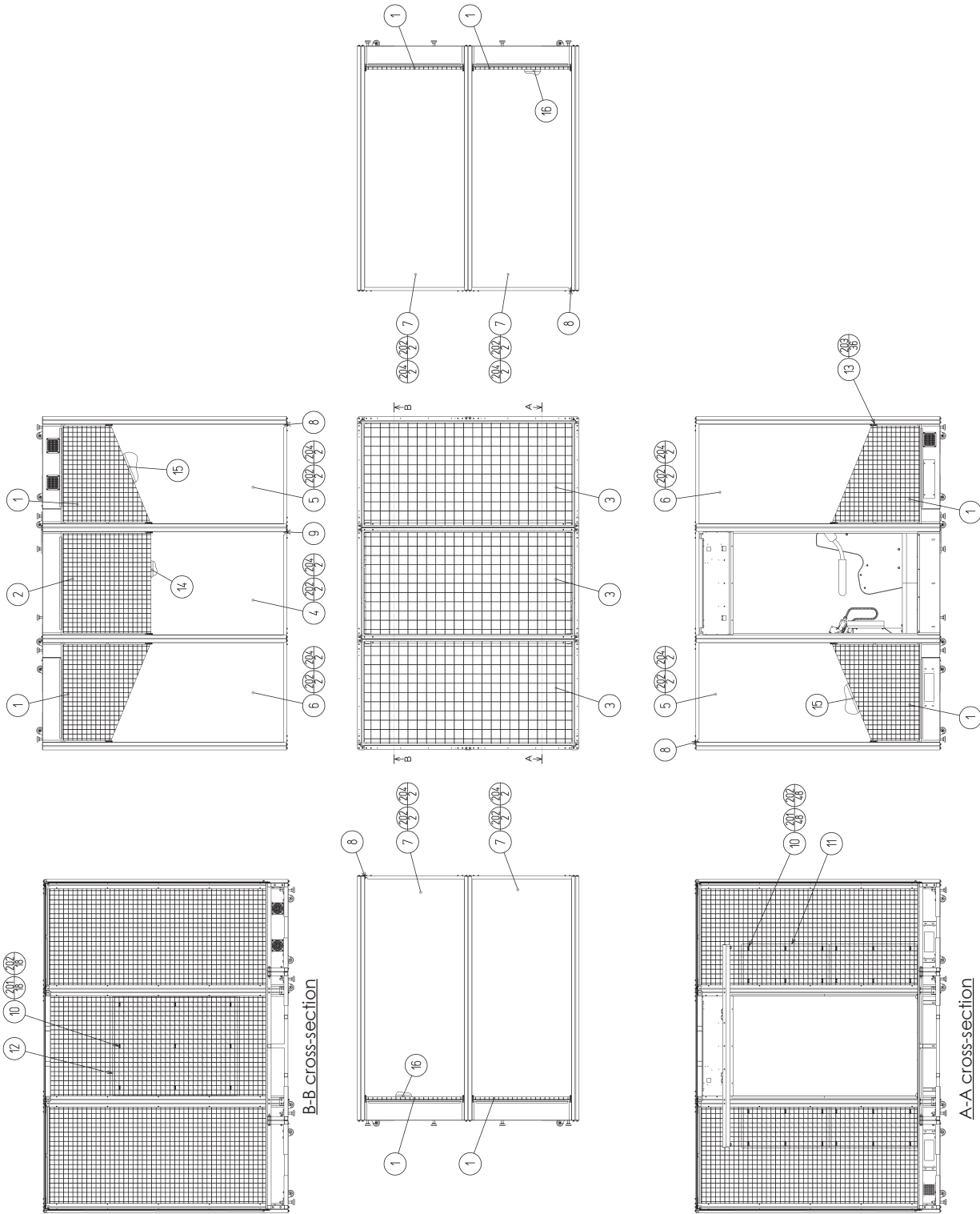
DIP switch settings

1	2	3	4	5	6	7	8
OFF	ON	ON	ON	ON	ON	ON	ON



25 ASSY GUILLOTINE (HSP-1500)**(D-2/2)**

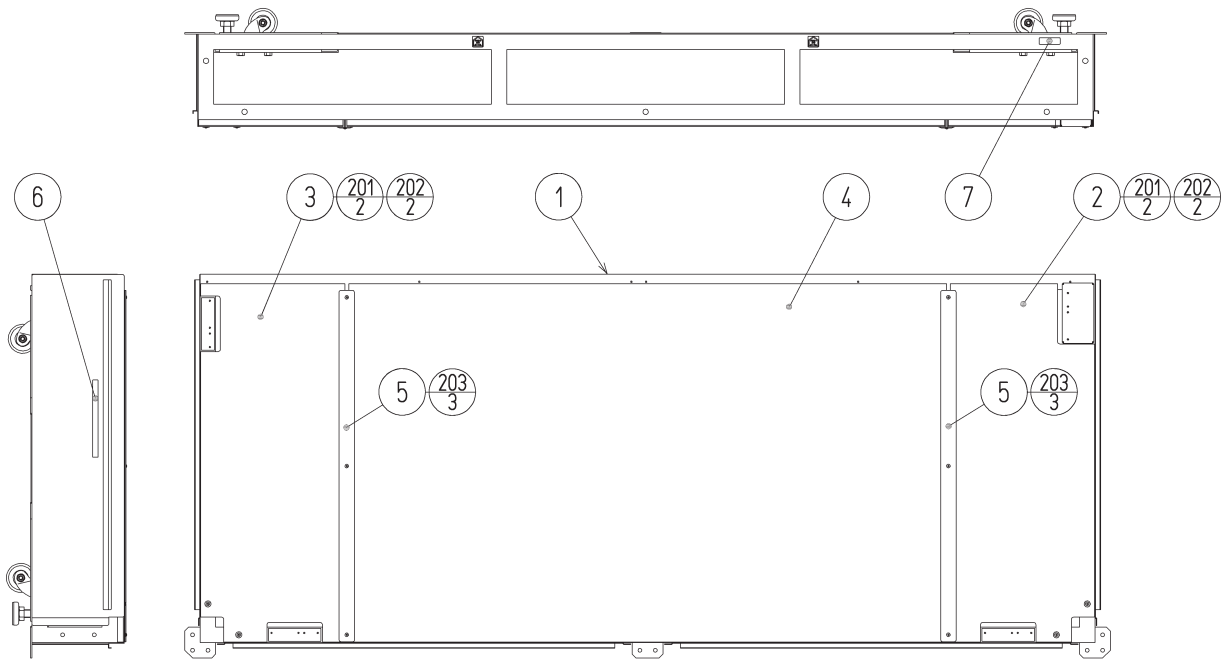
ITEM NO.	PART NO.	DESCRIPTION	NOTE
1	HSP-1501	GUILLOTINE	
2	HSP-1502	GUILLOTINE BASE	
3	HSP-1503	GUILLOTINE PLATE	
4	HSP-1504	GUILLOTINE LED BASE	
5	HSP-1505	GUILLOTINE PLATE HOLDER	
6	HSP-1506	GUILLOTINE LED COVER	
7	837-14499-01	LED CTRL BD 115.2K	
8	839-1270-02	LED DRV BD W/O SILK	
101	280-5248-7.5	ONE TOUCH COLLOR M3 L=7.5	
102	280-5248-10	ONE TOUCH COLLAR M3 L=10	
103	280-5247	ONE TOUCH BUSHING	
201	FAS-300046	HEX BLT CROSS W/FS BLK M8x18	
202	000-P00408-WB	M SCR PH W/FS BLK M4x8	
203	000-P00416-WB	M SCR PH W/FS BLK M4x16	
204	000-P00320-W	M SCR PH W/FS M3x20	
205	000-P00316-W	M SCR PH W/FS M3x16	
301	HSP-61007	WH BB LED	
302	HSP-61008	WH BB LED CONTROL	



26 ASSY FENCE (HSP-1600)**(D-2/2)**

ITEM NO.	PART NO.	DESCRIPTION	NOTE
1	HSP-1601	SIDE FENCE	
2	HSP-1602	SIDE FENCE CENTER	
3	HSP-1603	TOP FENCE	
4	HSP-1604	CURTAIN CENTER	
5	HSP-1605	CURTAIN LEFT	
6	HSP-1606	CURTAIN RIGHT	
7	HSP-1607	CURTAIN SCREEN BACK	
8	HSP-1608	HOOK BAR	
9	HSP-1609	HOOK BAR CENTER	
10	HSP-1610	FENCE PLATE HOOK	
11	HSP-1611	FENCE PLATE A	
12	HSP-1612	FENCE PLATE B	
13	HSP-1613	CURTAIN BRKT	
14	HSP-1614	CURTAIN WEIGHT CENTER	
15	HSP-1615	CURTAIN WEIGHT LR	
16	HSP-1616	CURTAIN WEIGHT SCREEN BACK	
201	000-T00412-0B	M SCR TH BLK M4x12	
202	068-441616-0B	FLT WSHR BLK 4.4-16x1.6	
203	000-P00408-WB	M SCR PH W/FS BLK M4x8	
204	000-T00414-0B	M SCR TH BLK M4x14	

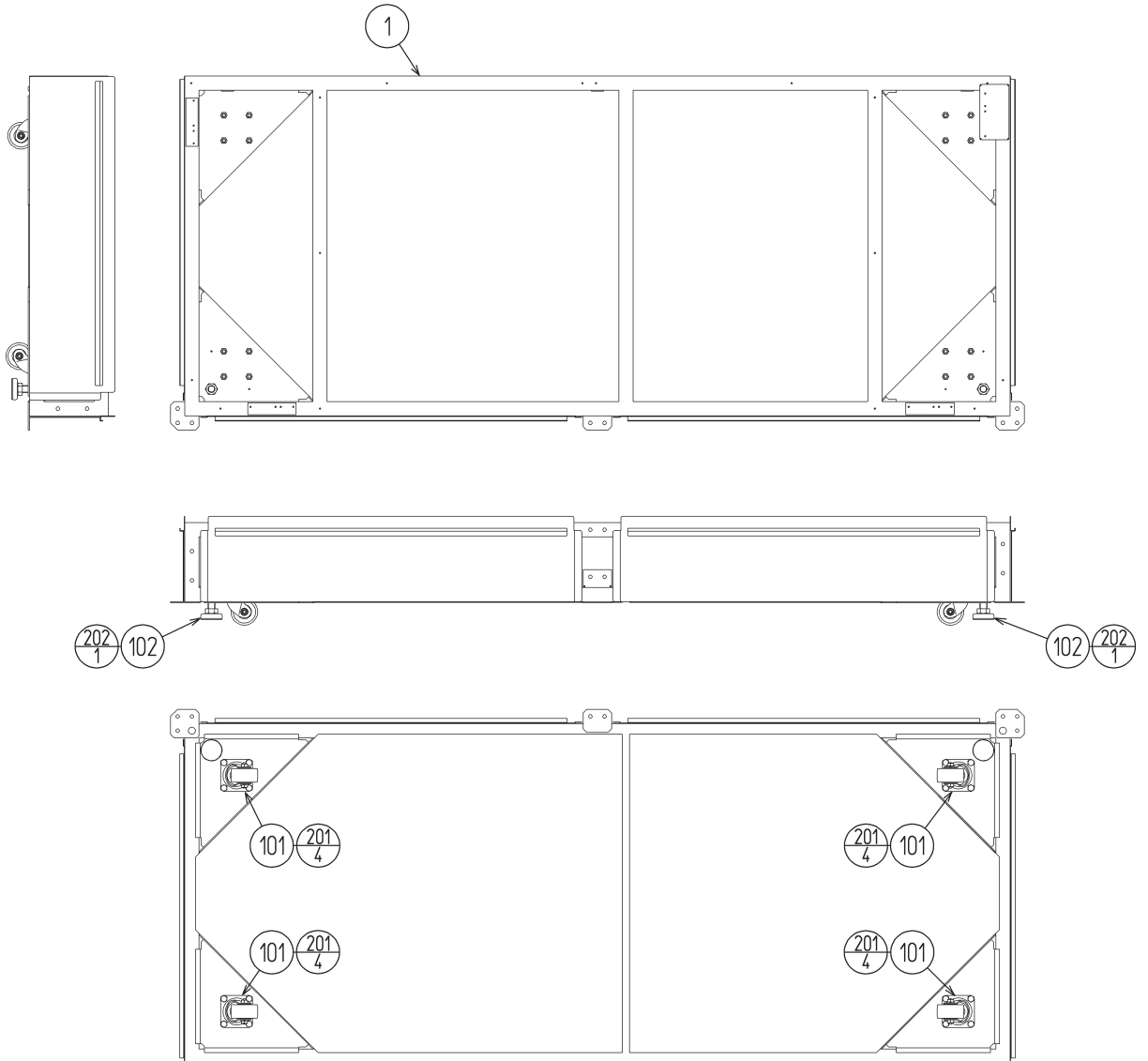
27 ASSY FRONT BASE (HSP-3100)



ITEM NO.	PART NO.	DESCRIPTION	NOTE
1	HSP-3120	ASSY SUB FRONT BASE	
2	HSP-3102	FLOOR BOARD FB L	
3	HSP-3103	FLOOR BOARD FB R	
4	HSP-3104	FLOOR BOARD FB C	
5	HSP-3105	FLOOR SASH S	
6	421-12095-01 HSP-3308	STICKER FENCE HSP ENG STICKER FENCE HSP CE	<Hong Kong> <CE>
103	280-5275-SR10	CORD CLAMP SR10	
201	000-T00425-0B	M SCR TH BLK M4x25	
202	068-441616-0B	FLT WSHR BLK 4.4-16x1.6	
203	000-T00425-0C	M SCR TH CRM M4x25	
206	000-P00408	M SCR PH M4x8	
207	060-S00400	SPR WSHR M4	
208	060-F00400	FLT WSHR M4	
301	HSP-61009	WH TERM FT SENSOR F	
303	600-7914-0500	WH EARTH UL1015 AWG10 0500MM	
304	600-7914-0800	WH EARTH UL1015 AWG10 0800MM	

28 ASSY SUB FRONT BASE (HSP-3120)

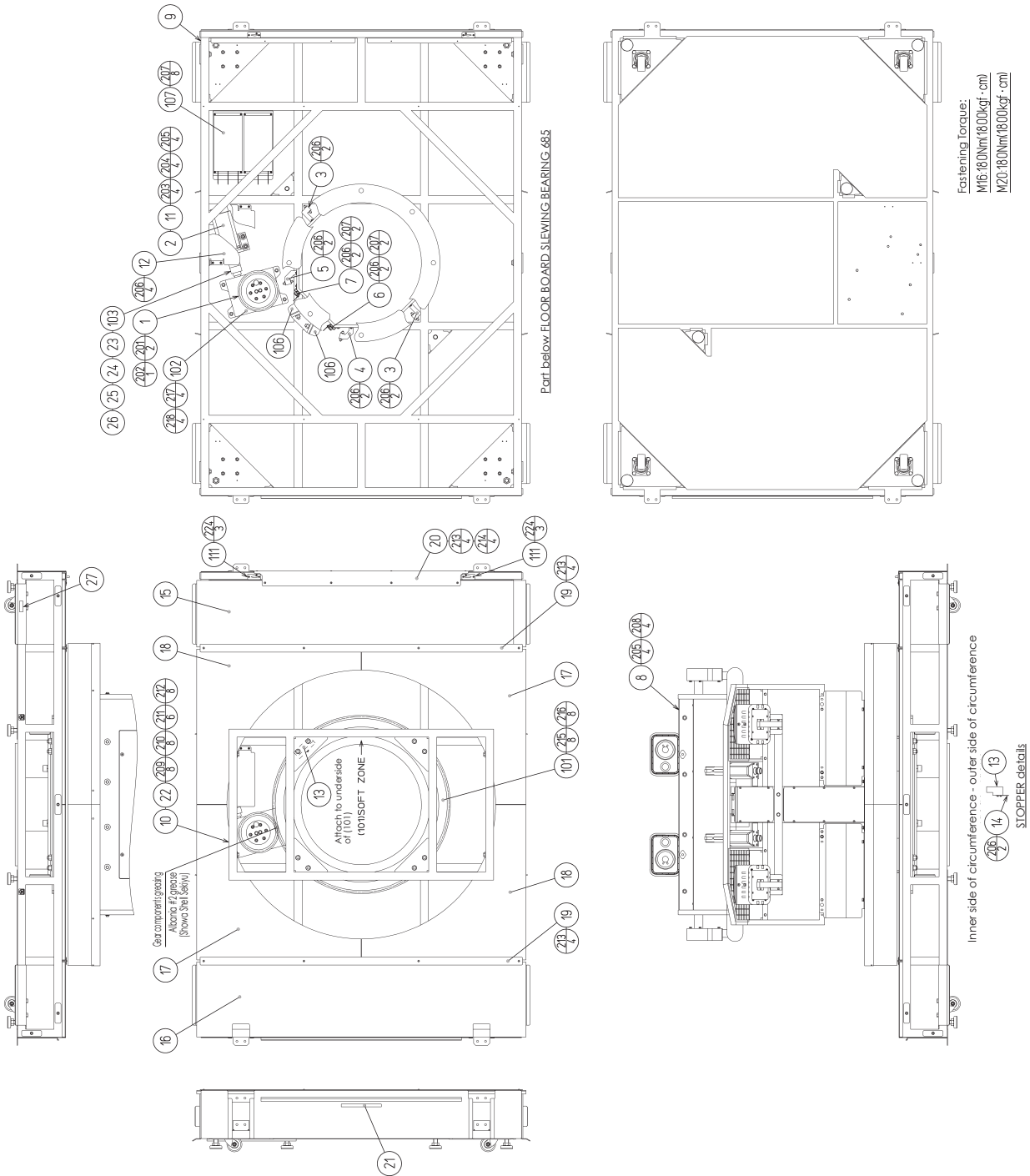
MAIN CABINET



ITEM NO.	PART NO.	DESCRIPTION	NOTE
1	HSP-3101	FRONT BASE FRAME	
101	601-11709	CASTER 75 TOCHIGIYA 106HB-P	
102	601-11032	LEG ADJUSTER C-280-0	
201	030-001020-S	HEX BLT W/S M10x20	
202	FAS-500056	HEX NUT M20	

29 ASSY MIDDLE BASE (HSP-3200)

(D-1/3)



MAIN CABINET

29) ASSY MIDDLE BASE (HSP-3200)**(D-2/3)**

ITEM NO.	PART NO.	DESCRIPTION	NOTE
1	HSP-3230	ASSY NYLON GEAR	
2	HSP-3240	ASSY MOTOR	
3	HSP-3250	ASSY POS SENSOR FR	
4	HSP-3260	ASSY POS SENSOR CW	
5	HSP-3270	ASSY POS SENSOR CCW	
6	HSP-3280	ASSY EMER SW CW	
7	HSP-3290	ASSY EMER SW CCW	
8	HSP-3500	ASSY RIDE	
9	HSP-3220	ASSY SUB MIDDLE BASE	
10	HSP-3202	SWING FRAME	
11	HSP-3203	MOTOR SPACER	
12	HSP-3204	MOTOR COVER	
13	HSP-3205	STOPPER	
14	HSP-3206	STOPPER INTERRUPT PLATE	
15	HSP-3207	FLOOR BOARD MB L	
16	HSP-3208	FLOOR BOARD MB R	
17	HSP-3209	FLOOR BOARD MB C A	
18	HSP-3210	FLOOR BOARD MB C B	
19	HSP-3211	FLOOR SASH L	
20	HSP-3212	DOOR SASH	
21	421-12095-01	STICKER FENCE HSP ENG	<Hong Kong>
	HSP-3308	STICKER FENCE HSP CE	<CE>
22	HSP-3213	SWING FRAME SPACER	
23	HSP-3214	COUPLING SPACER A	
24	HSP-3215	COUPLING SPACER B	
25	123-060630	KEY 6x6x30	
26	123-080720	KEY 8x7x20	
101	100-5485	SLEWING BEARING 685	
102	350-5806	GEAR BOX MAKISHINKO MAKP80LU20	
103	111-1150	COUPLING ROTEX GS24	
106	601-11711	STOPPER RUBBER RI-65HD	
107	601-11697	REGENERATIVE RES DV0P4285	
108	601-6844-87000	AIR TUBE 10-BLACK-7000	
109	280-5277	CORD CLAMP 18	
110	280-5275-SR10	CORD CLAMP SR10	
111	601-11749	DOOR GUIDE (EKU 57-3010-001)	
112	209-0032	CONN CLOSED END	
113	601-0460	PLASTIC TIE BELT 100 MM	

29 ASSY MIDDLE BASE (HSP-3200)**(D-3/3)**

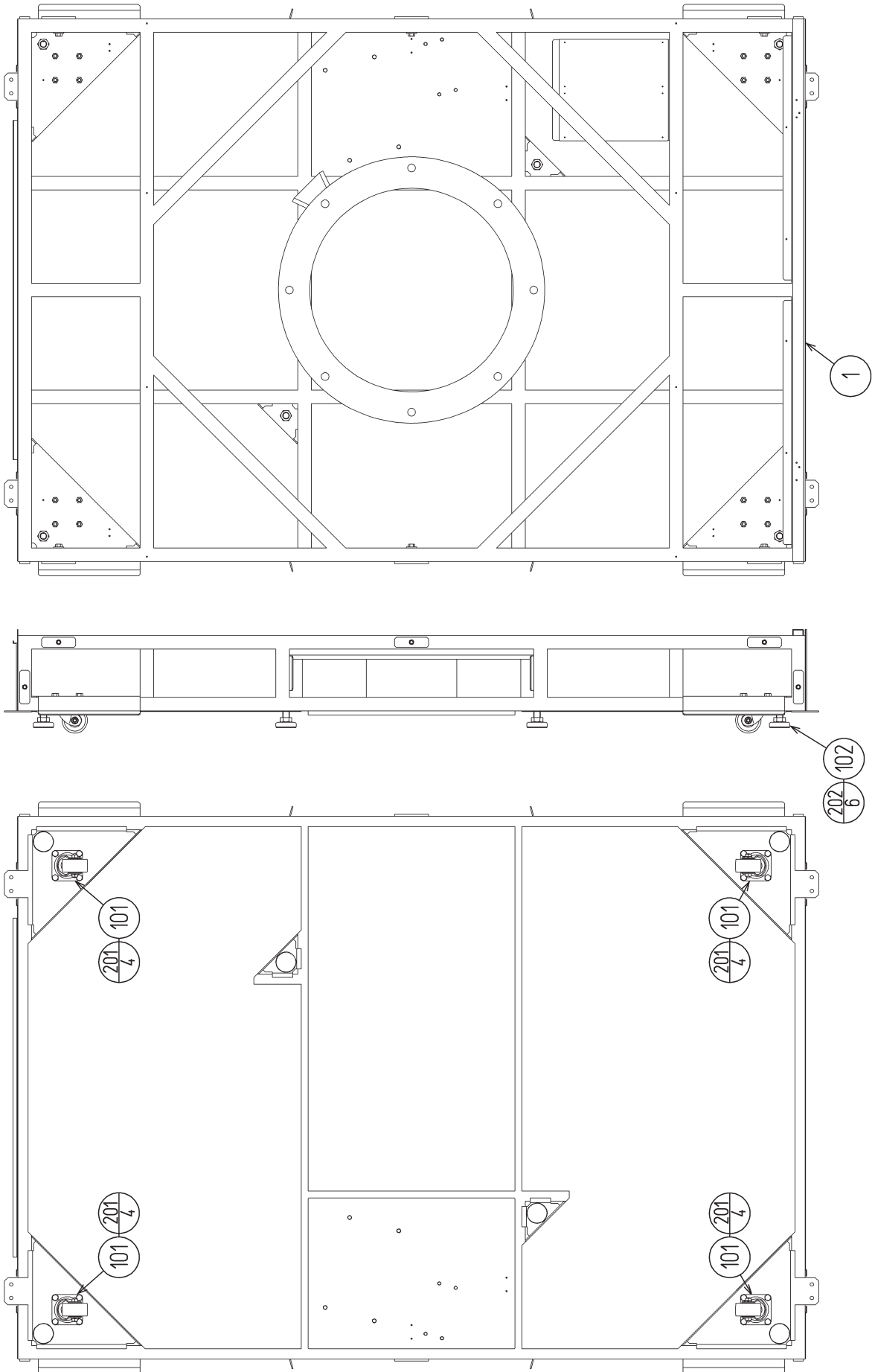
ITEM NO.	PART NO.	DESCRIPTION	NOTE
201	FAS-300046	HEX BLT CROSS W/FS BLK M8x18	
202	028-A00608-P	SET SCR HEX SKT CUP P M6x8	
203	FAS-200058	HEX SKT CAP SCR BLK OZ M10x50	
204	060-S01000	SPR WSHR M10	
205	068-A52820	FLT WSHR 10.5-28x2	
206	000-P00408-WB	M SCR PH W/FS BLK M4x8	
207	000-P00308-WB	M SCR PH W/FS BLK M3x8	
208	030-001080-S	HEX BOLT W/S M10x80	
209	FAS-200059	HEX SKT CAP SCR BLK OZ M16x90	
210	060-S01600	SPR WSHR M16	
211	050-H01600	HEX NUT M16	
212	060-F01600	FLT WSHR M16	
213	000-T00425-0C	M SCR TH CRM M4x25	
214	000-T00408-0C	M SCR TH CRM M4x8	
215	FAS-200060	HEX SKT CAP SCR BLK OZ M20x50	
216	FAS-600024	SPR WSHR M20	
217	FAS-200061	HEX SKT CAP SCR BLK OZ M12x40	
218	060-S01200	SPR WSHR M12	
221	000-P00408	M SCR PH M4x8	
222	060-S00400	SPR WSHR M4	
223	060-F00400	FLT WSHR M4	
224	000-F00408-0B	M SCR FH BLK M4x8	
301	HSP-61011	WH DR SENSOR V	
302	HSP-65019	WH EXT AC B	
303	HSP-61013X	WH EXTN TOWER 3P	
304	HSP-61014X	WH EXTN TOWER 2P	
306	HSP-61016	WH EXTN TOWER A	
307	HSP-61017	WH EXTN TOWER B	
308	HSP-61018X	WH TERM EM SW	
309	HSP-61019	WH TERM FT SENSOR M	
310	HSP-61020	WH GUN LED TERM F	
311	HSP-61021X	WH TERM LM SENSOR	
312	HSP-61022X	WH TERM PS SENSOR	
313	600-7914-0500	WH EARTH UL1015 AWG10 0500MM	
314	HSP-65009	WH REGENERATIVE RES B	

1 MAIN CABINET

30 ASSY SUB MIDDLE BASE (HSP-3220)

(D-1/2)

MAIN CABINET

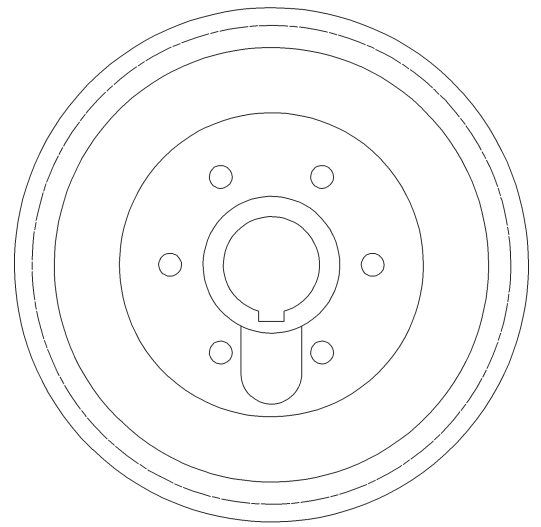
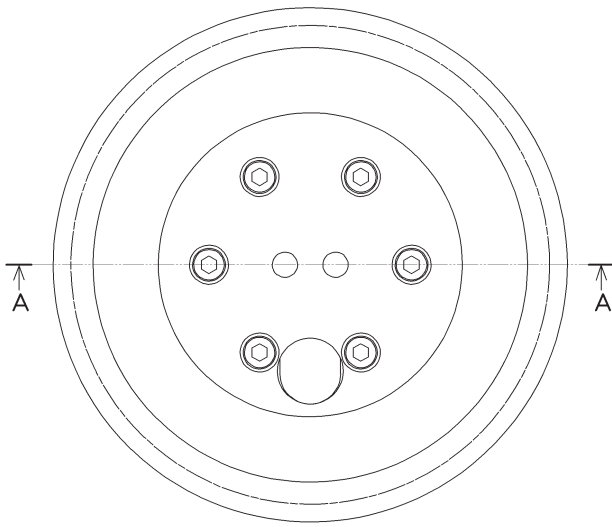


30 ASSY SUB MIDDLE BASE (HSP-3220)**(D-2/2)**

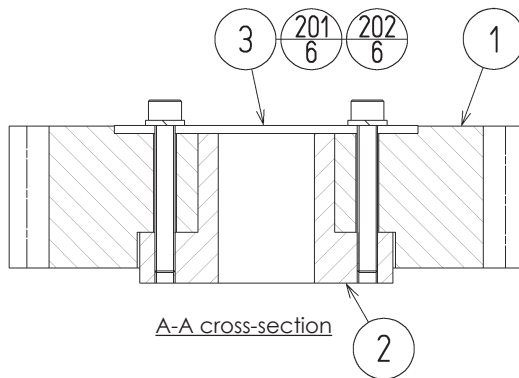
ITEM NO.	PART NO.	DESCRIPTION	NOTE
1	HSP-3201	MIDDLE BASE FRAME	
101	601-11709	CASTER 75 TOCHIGIYA 106HB-P	
102	601-11032	LEG ADJUSTER C-280-0	
201	030-001020-S	HEX BLT W/S M10x20	
202	FAS-500056	HEX NUT M20	

MAIN CABINET

31 ASSY NYLON GEAR (HSP-3230)



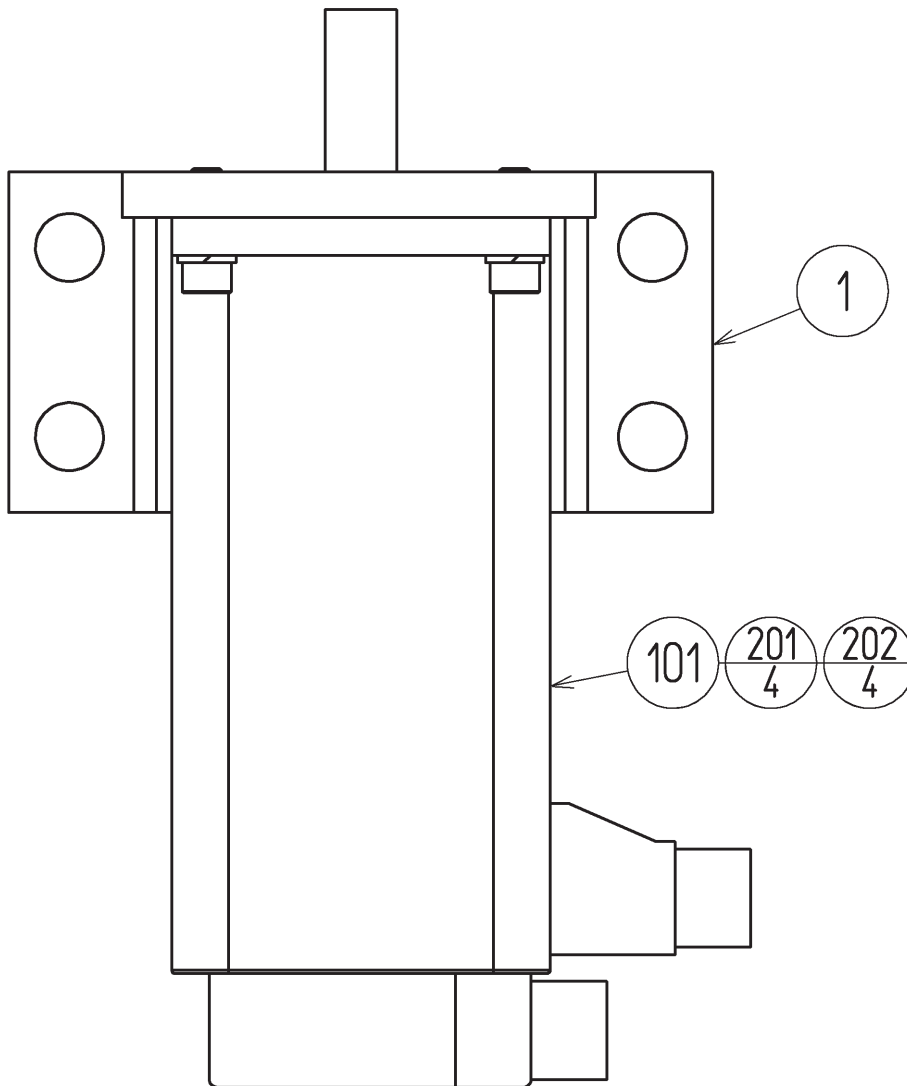
GEAR HOLD PLATE lower part



A-A cross-section

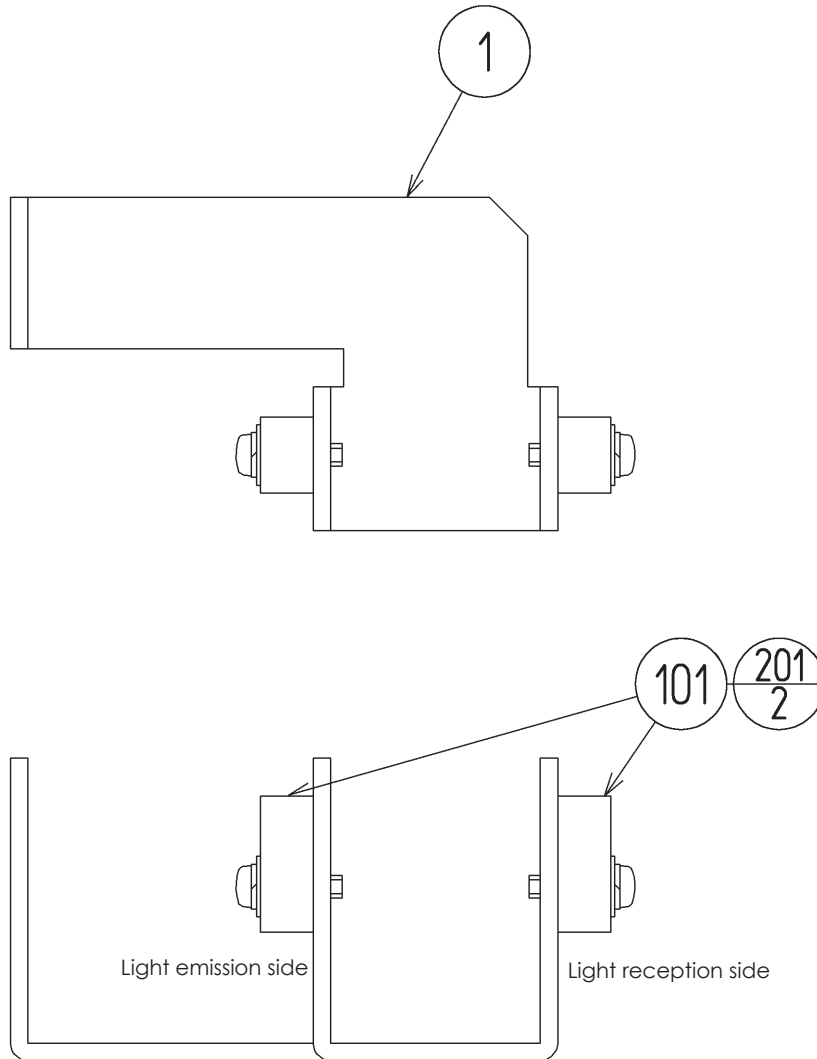
ITEM NO.	PART NO.	DESCRIPTION	NOTE
1	HSP-3231	NYLON GEAR	
2	HSP-3232	GEAR BUSH	
3	HSP-3233	GEAR HOLD PLATE	
201	020-000860-OZ	HEX SKT H CAP SCR BLK OZ M8x60	
202	060-S00800	SPR WSHR M8	

32 ASSY MOTOR (HSP-3240)



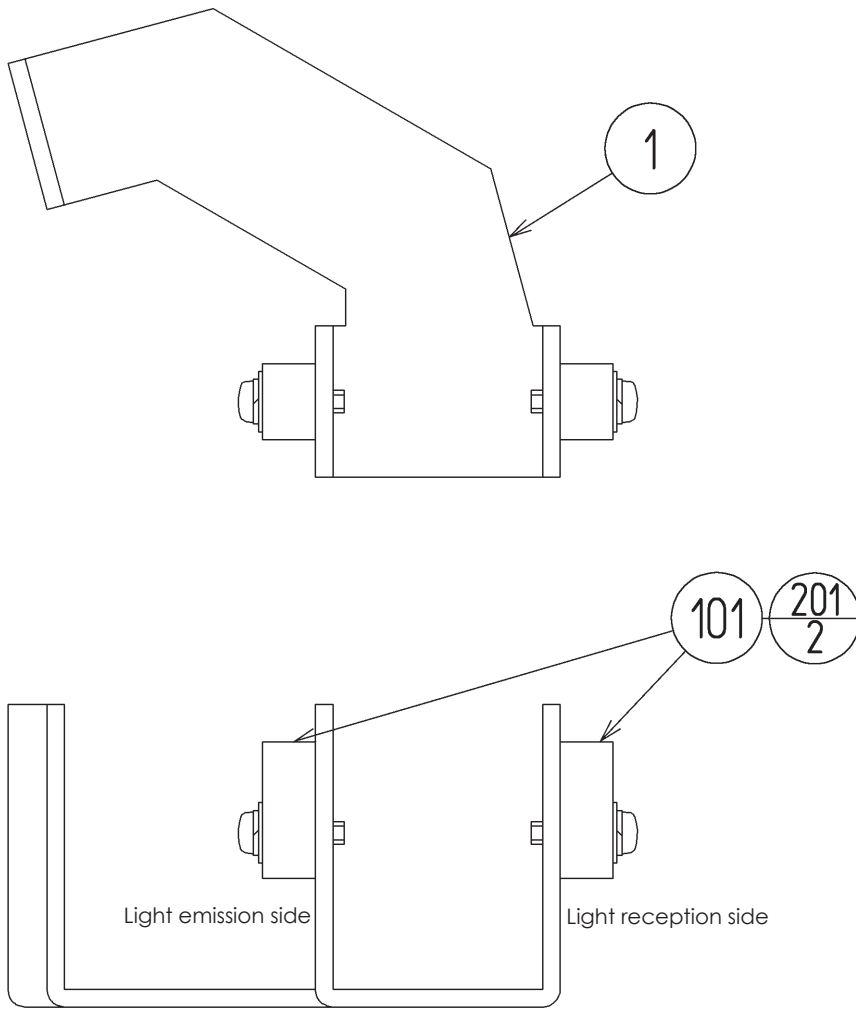
ITEM NO.	PART NO.	DESCRIPTION	NOTE
1	HSP-3241	MOTOR BRKT	
101	350-5804	SERVO MOTOR 2KW MSMA202P1H	
201	020-000825-0Z	HEX SKT H CAP SCR BLK OZ M8x25	
202	060-S00800	SPR WSHR M8	

33 ASSY POS SENSOR FR (HSP-3250)



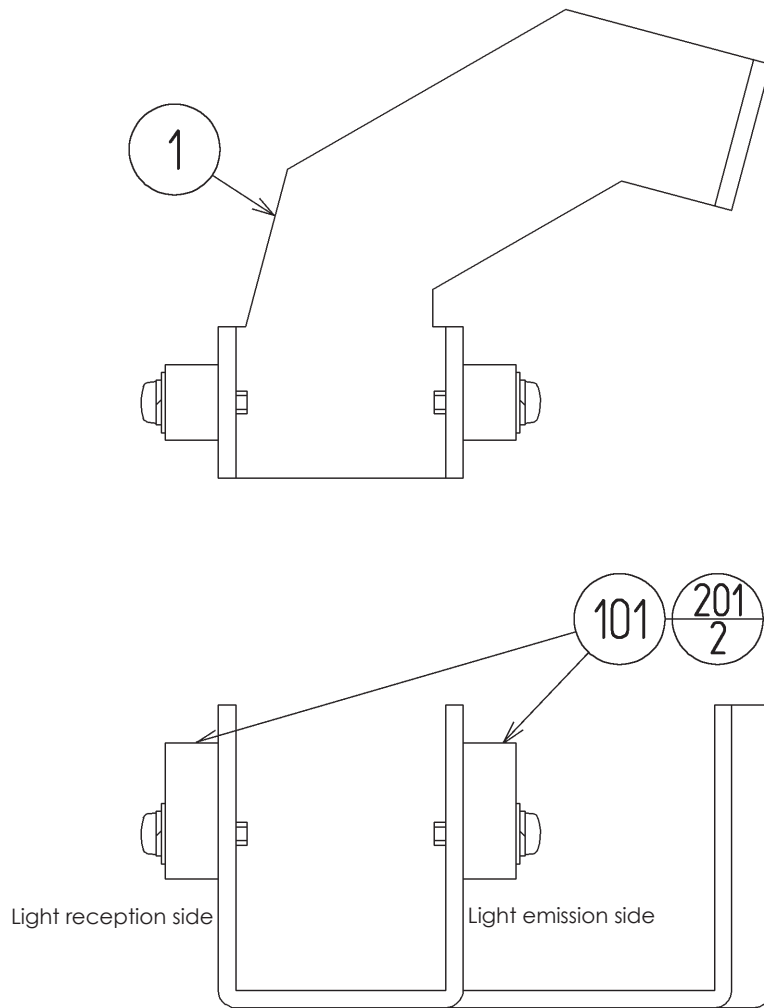
ITEM NO.	PART NO.	DESCRIPTION	NOTE
1	HSP-3251	PS BRKT	
101	370-5239-05	PI KB1246 300T-100T	
201	000-P00312-W	M SCR PH W/FS M3x12	

34 ASSY POS SENSOR CW (HSP-3260)



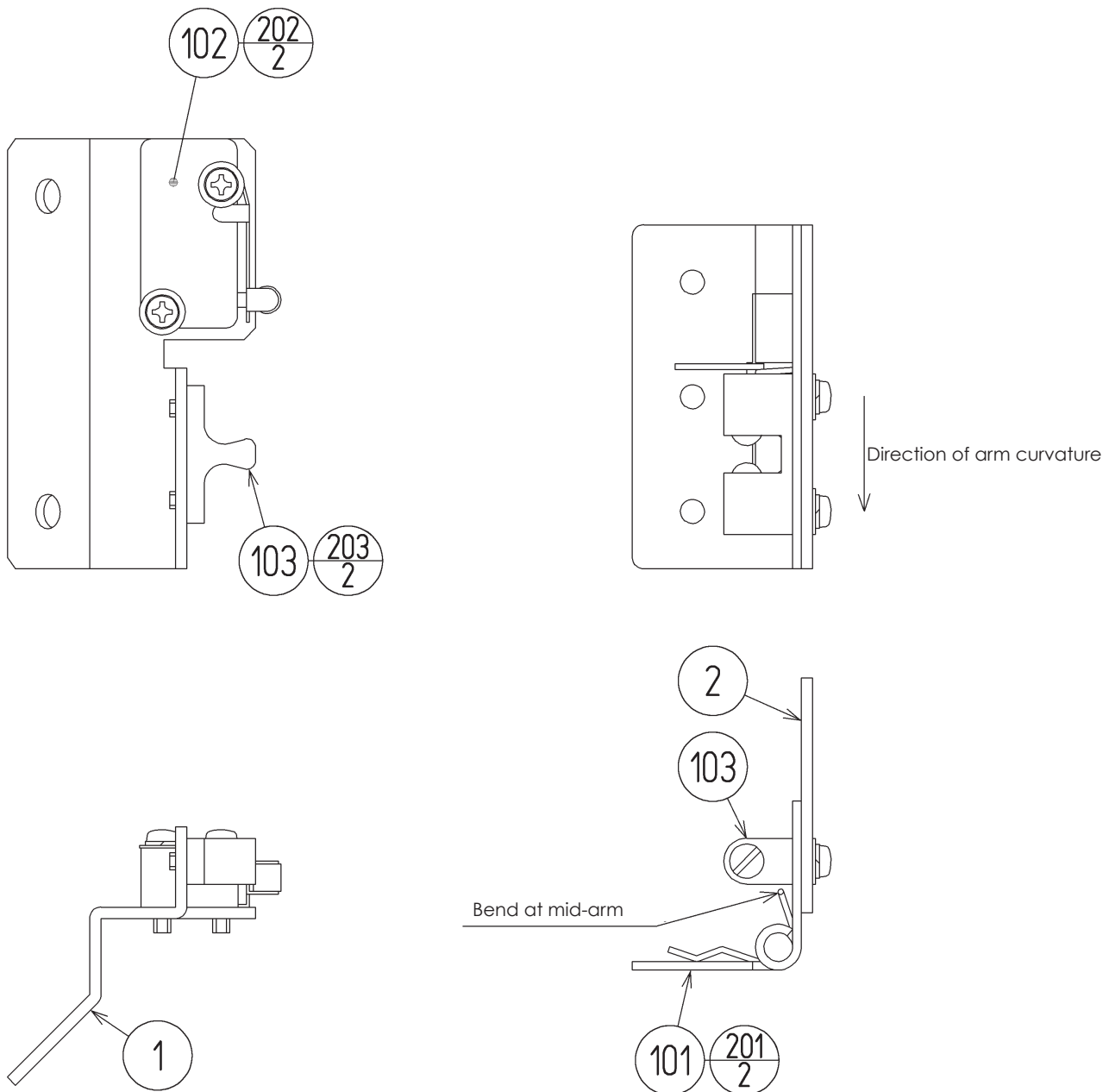
ITEM NO.	PART NO.	DESCRIPTION	NOTE
1	HSP-3261	PS BRKT CW	
101	370-5239-05	PI KB1246 300T-100T	
201	000-P00312-W	M SCR PH W/FS M3x12	

35 ASSY POS SENSOR CCW (HSP-3270)



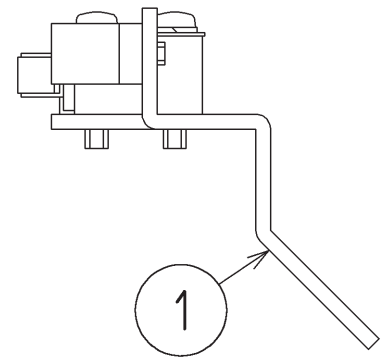
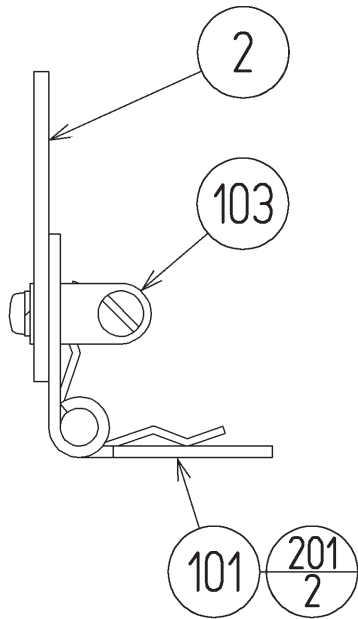
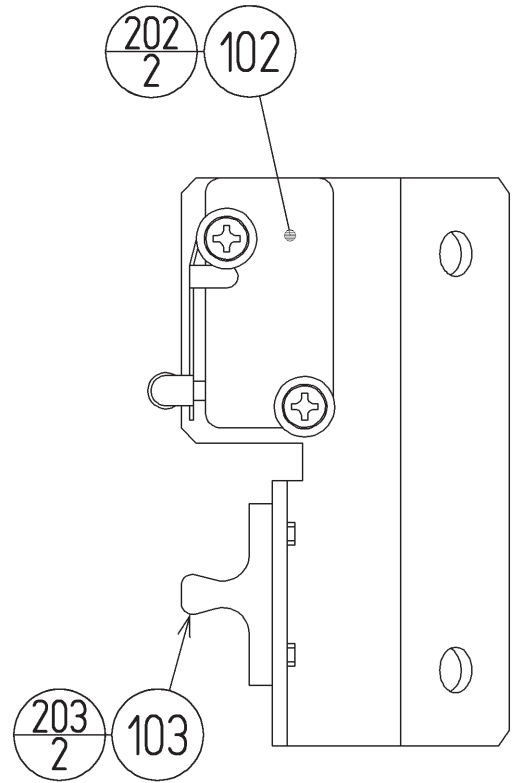
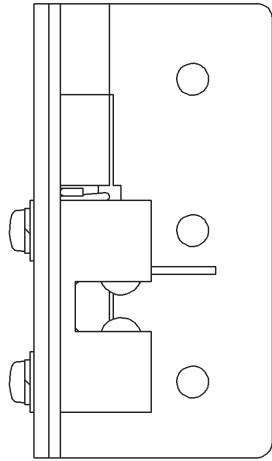
ITEM NO.	PART NO.	DESCRIPTION	NOTE
1	HSP-3271	PS BRKT CCW	
101	370-5239-05	PI KB1246 300T-100T	
201	000-P00312-W	M SCR PH W/FS M3x12	

36 ASSY EMER SW CW (HSP-3280)

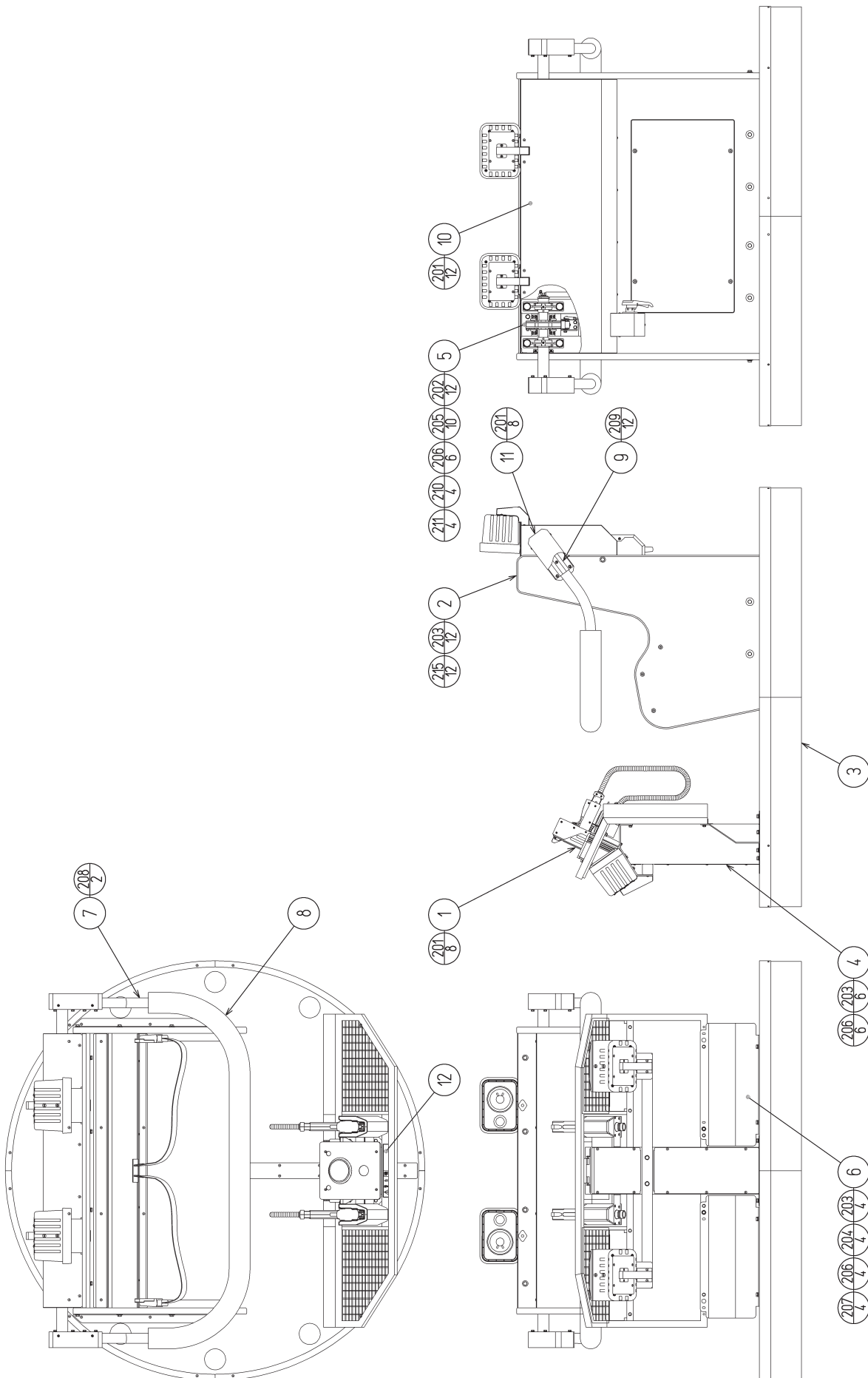


ITEM NO.	PART NO.	DESCRIPTION	NOTE
1	HSP-3281	ES BRKT CW	
2	HSP-3282	ES PLATE	
101	601-11710	SP HINGE TOCHIGIYA TH-63SUS	
102	509-6120	SW MICRO D2VW-5L2A-1M(OMRON)	
103	601-11712	BALL CATCH TOCHIGIYA TL-60-2	
201	000-P00308-W	M SCR PH W/FS M3x8	
202	000-P00316-W	M SCR PH W/FS M3x16	
203	000-F00306	M SCR FH M3x6	

37 ASSY EMER SW CCW (HSP-3290)



ITEM NO.	PART NO.	DESCRIPTION	NOTE
1	HSP-3291	ES BRKT CCW	
2	HSP-3282	ES PLATE	
101	601-11710	SP HINGE TOCHIGIYA TH-63SUS	
102	509-6120	SW MICRO D2VW-5L2A-1M(OMRON)	
103	601-11712	BALL CATCH TOCHIGIYA TL-60-2	
201	000-P00308-W	M SCR PH W/FS M3x8	
202	000-P00316-W	M SCR PH W/FS M3x16	
203	000-F00306	M SCR FH M3x6	

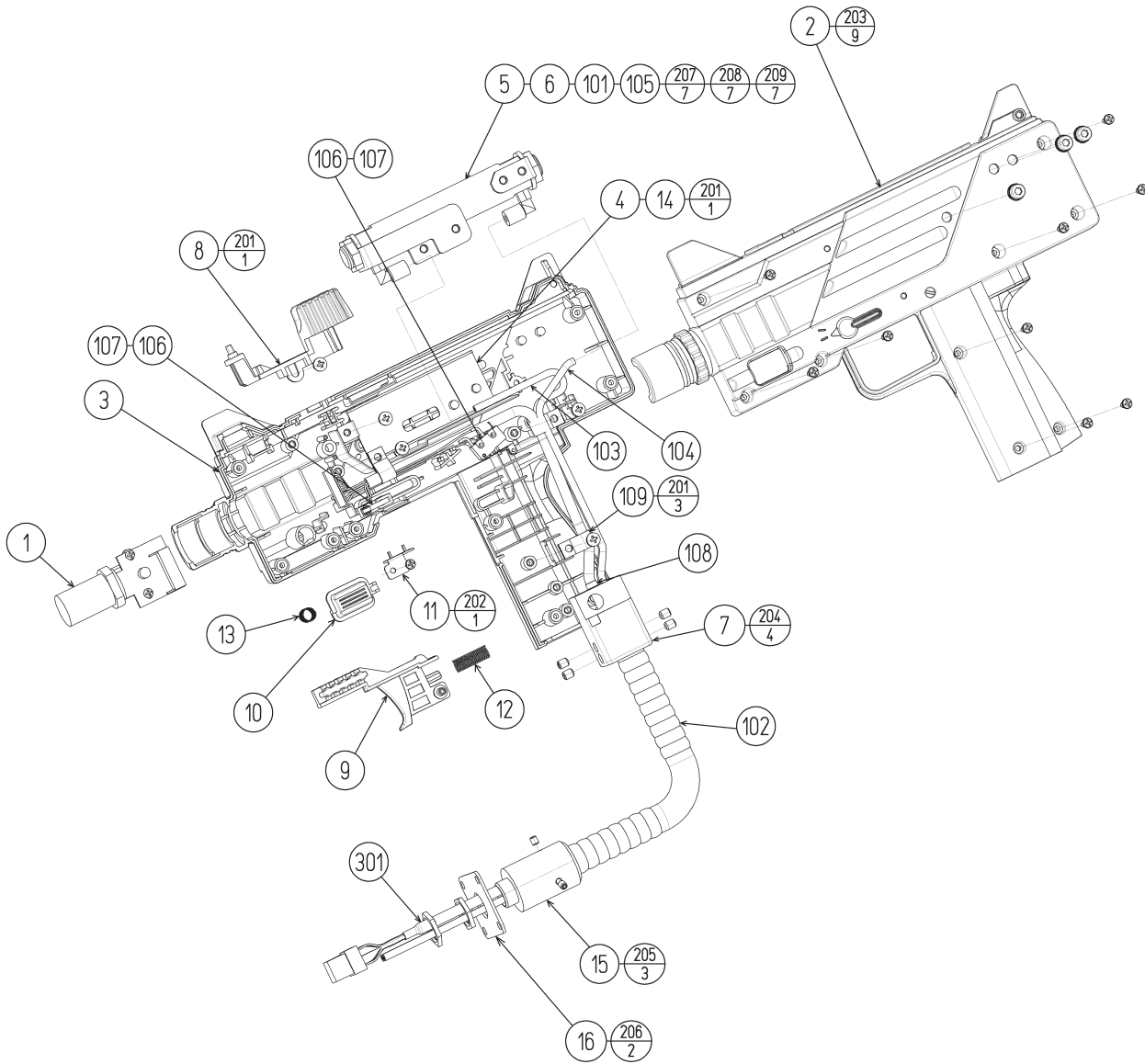


38 ASSY RIDE (HSP-3500)**(D-2/2)**

ITEM NO.	PART NO.	DESCRIPTION	NOTE
1	HSP-2000	CONTROL UNIT	
2	HSP-3600	ASSY SEAT	
3	HSP-3650	ASSY TURNTABLE	
4	HSP-3700	ASSY CONTROL STAND	
5	HSP-3800	ASSY ARM REST MECHA	
6	HSP-3501	FOOT PLATE	
7	HSP-3502	ARM REST PIPE	
8	HSP-3503	ARM REST CUSHION	
9	HSP-3504	AR HOLDER	
10	HSP-3505	AR MECHA COVER	
11	HSP-3506	AR COVER	
12	440-WS0143-EG	STICKER W POWER OFF WIDE ENG	
201	000-T00408-0B	M SCR TH BLK M4x8	
202	030-000850-SB	HEX BLT W/S BLK M8x50	
203	030-000840-SB	HEX BLT W/S BLK M8x40	
204	030-000650-SB	HEX BLT W/S BLK M6x50	
205	068-852216-0B	FLT WSHR BLK 8.5-22x1.6	
206	060-F00800-0B	FLT WSHR BLK M8	
207	060-F00600-0B	FLT WSHR BLK M6	
208	030-000660-SB	HEX BLT W/S BLK M6x60	
209	030-000620-SB	HEX BLT W/S BLK M6x20	
210	FAS-290046	HEX SKT SCR BH BLK M8x45	
211	060-S00800-0B	SPR WSHR BLK M8	
212	000-P00408	M SCR PH M4x8	
213	060-S00400	SPR WSHR M4	
214	060-F00400	FLT WSHR M4	
215	FAS-680017	FLT WSHR BLK 8.5-30x2.0	

39 CONTROL UNIT (HSP-2000)

(D-1/2)

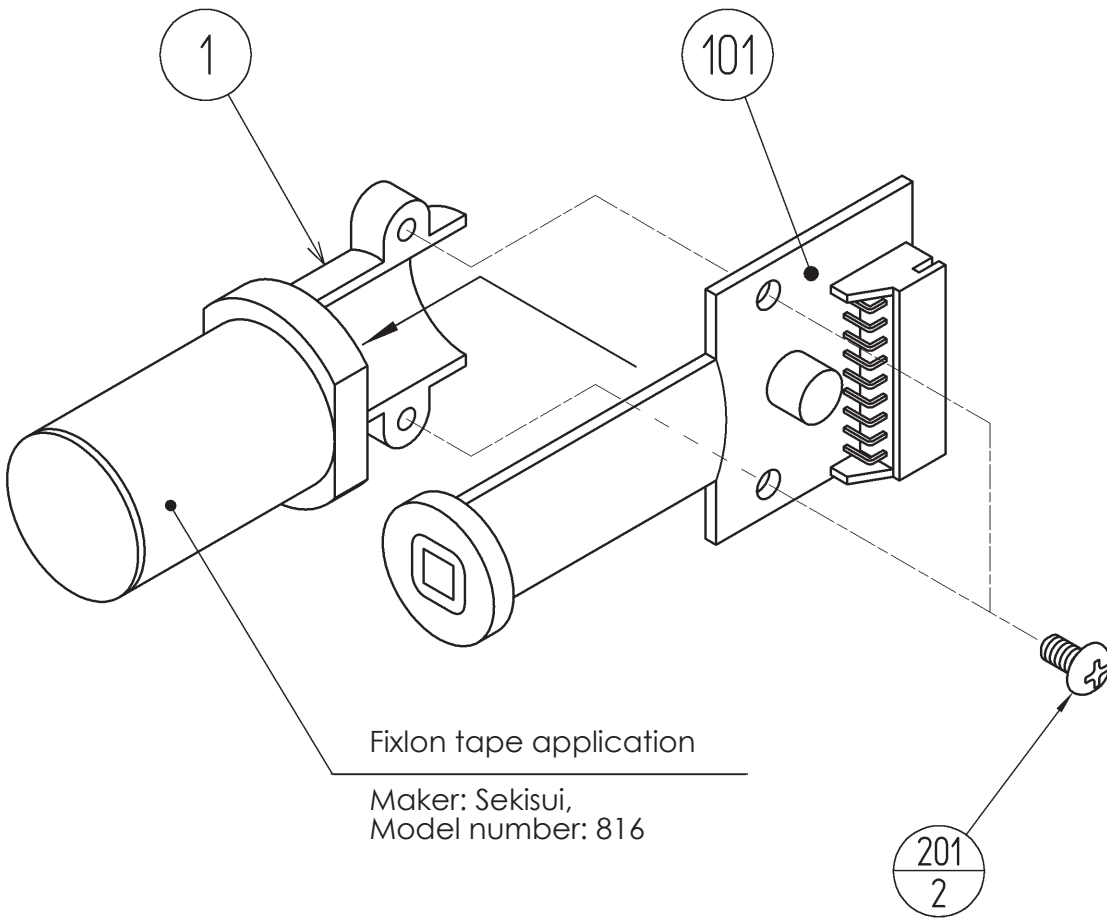


1 MAIN CABINET

39 CONTROL UNIT (HSP-2000)**(D-2/2)**

ITEM NO.	PART NO.	DESCRIPTION	NOTE
1	JPS-2030X	SENSOR UNIT	
2	HSP-2001	COVER L HSP	
3	HSP-2002	COVER R HSP	
4	HSP-2003	PORT COVER	
5	HSP-2004	CYLINDER BASE F	
6	HSP-2005	CYLINDER BASE R	
7	HSP-2006	GRIP END	
8	HDF-2105-01	BOLT KNOB RED	
9	HDF-2106	TRIGGER	
10	HDF-2107	BUTTON	
11	HDF-2116	SWITCH BRKT	
12	CTF-2123	TRIGGER SPRING	
13	HDF-2117	BUTTON SPRING	
14	HDF-2125	MASK SEAL	
15	JPS-2202	TUBE SOCKET STAND	
16	JPS-2204	SOCKET PLATE	
101	601-11759	AIR CYL SMC MQM16H-5D-X91A	
102	601-11780	FLEX TUBE HSP	
103	601-11781-R1000	AIR TUBE TU0425R 1000MM	
104	601-11781-Y1000	AIR TUBE TU0425Y 1000MM	
105	601-11796	AIR JOINT 4 SMC KJL04-M5	
106	509-5080	SW MICRO TYPE (SS-5GL2)	
107	310-5029-D20	SUMITUBE F D 20MM	
108	601-0460	PLASTIC TIE BELT 100 MM	
109	280-5124-04	NYLON CLAMP NK04	
201	FAS-120029	TAP SCR P-TITE PH 4x8	
202	FAS-000045	M SCR PH W/S BLK M3x6	
203	FAS-000100	M SCR PH W/SMALL FS BLK M3x12	
204	FAS-280002	SET SCR HEX SKT CUP P M5x6	
205	028-A00404-P	SET SCR HEX SKT CUP P M4x4	
206	FAS-500016	HEX NUT P1 M16 KUDAYOU	
207	020-000510-0Z	HEX SKT H CAP SCR BLK OZ M5x10	
208	060-S00500-0B	SPR WSHR BLK M5	
209	060-F00500-0B	FLT WSHR BLK M5	
301	HSP-65001X	WH CONTROLLER UNIT	

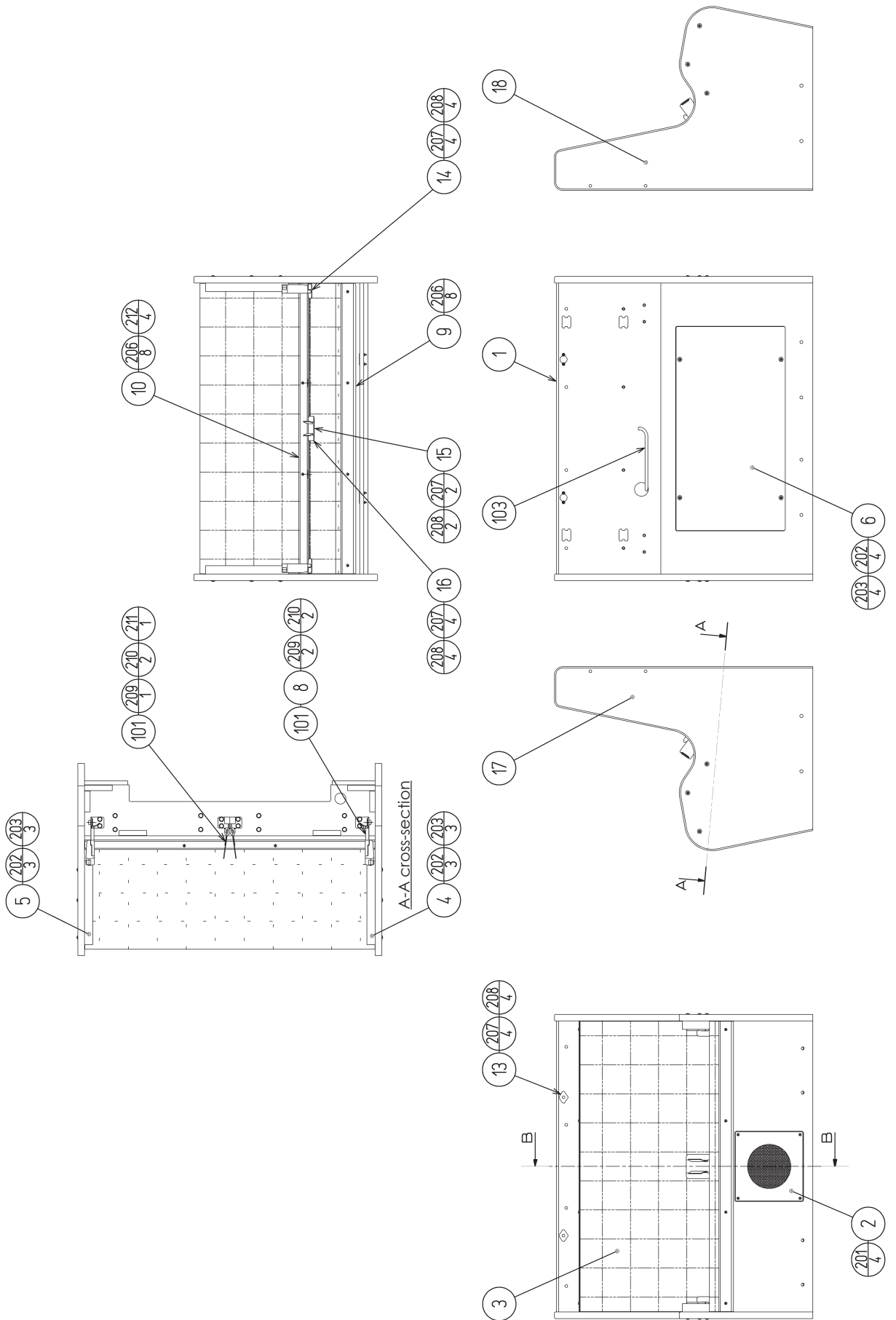
40 SENSOR UNIT (JPS-2030X)



ITEM NO.	PART NO.	DESCRIPTION	NOTE
1	JPT-2031	SENSOR HOLDER	
101	838-13144-01	SENSOR BD GUN SENSE JPS	
201	012-P00306	TAP SCR #2 PH 3x6	

41 ASSY SEAT (HSP-3600)

(D-1/2)



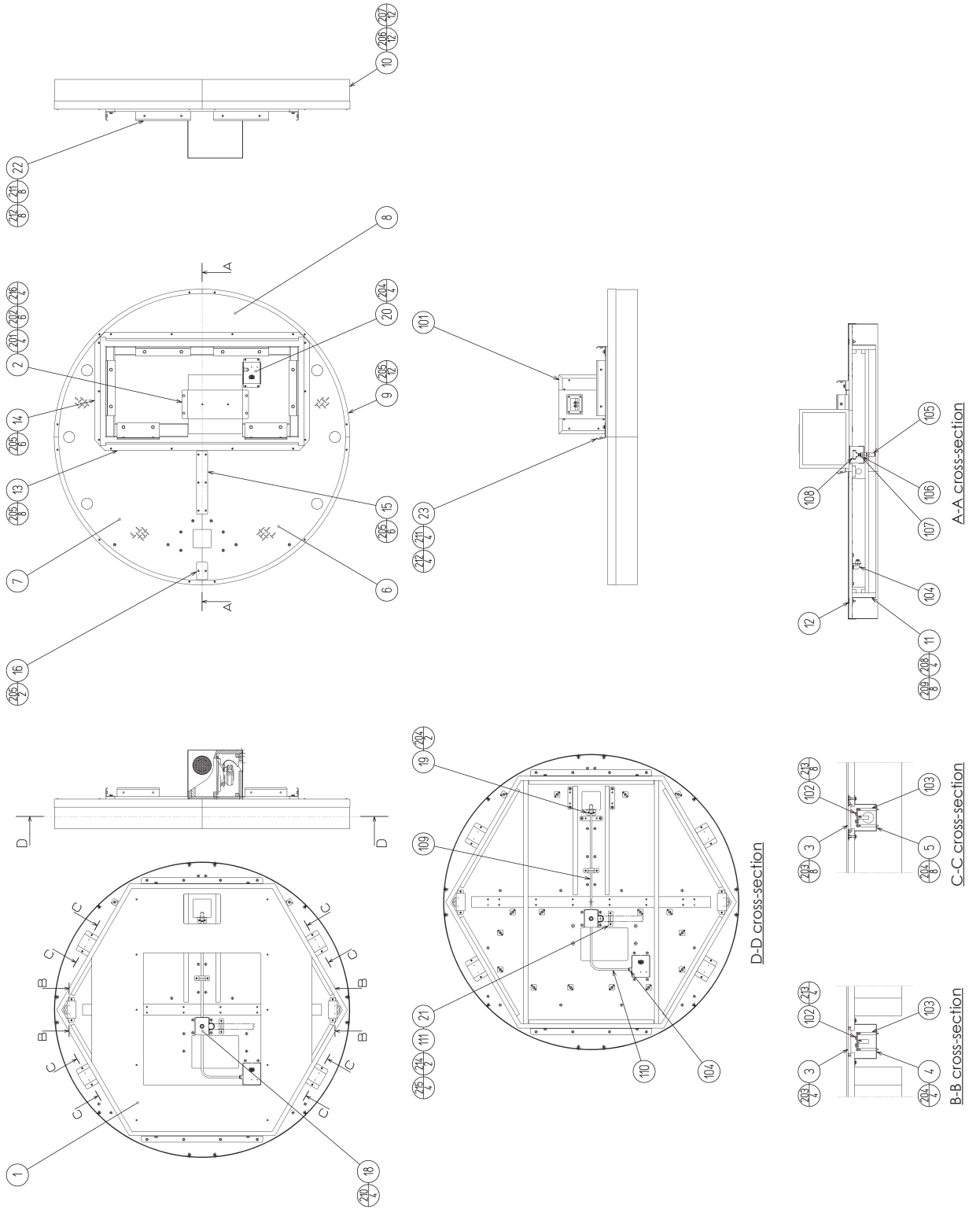
41 ASSY SEAT (HSP-3600)**(D-2/2)**

ITEM NO.	PART NO.	DESCRIPTION	NOTE
1	HSP-3623	SEAT	
2	HSP-3602	WOOFER NET	
3	HSP-3603	SEAT CARPET	<Hong Kong>
	HSP-3603-02	SEAT CARPET CE	<CE>
4	HSP-3604	SIDE CUSHION L	
5	HSP-3605	SIDE CUSHION R	
6	HSP-3606	SEAT REAR PANEL	
8	HSP-3627	BELT WIRE COVER	
9	HSP-3609	SEAT SASH	
10	HSP-3610	SEAT SASH MID	
13	HSP-3617	NOZZLE HOLE PLATE	
14	HSP-3618	BELT COVER SIDE	
15	HSP-3619	BELT COVER CENTER A	
16	HSP-3620	BELT COVER CENTER B	
17	HSP-3621	STICKER SEAT L	
18	HSP-3622	STICKER SEAT R	
101	601-11927	SEAT BELT SECURON 230/15EL	
103	601-6844-81500	AIR TUBE 10-BLACK-1500	
104	209-0023-91	CONN CLOSED END	
105	601-0460	PLASTIC TIE BELT 100 MM	
201	000-T00420-0B	M SCR TH BLK M4x20	
202	000-T00440-0B	M SCR TH BLK M4x40	
203	068-441616-0B	FLT WSHR BLK 4.4-16x1.6	
206	008-T00425-0C	TMP PRF SCR TH CRM M4x25	
207	050-F00400	FLG NUT M4	
208	068-441616	FLT WSHR 4.4-16x1.6	
209	030-001030-S	HEX BLT W/S M10x30	
210	060-F01000	FLT WSHR M10	
211	050-H01000	HEX NUT M10	
212	068-441616-0C	FLT WSHR CRM 4.4-16x1.6	
301	HSP-65003X	WH SEAT BELT	

42 ASSY TURNTABLE (HSP-3650)

(D-1/2)

MAIN CABINET

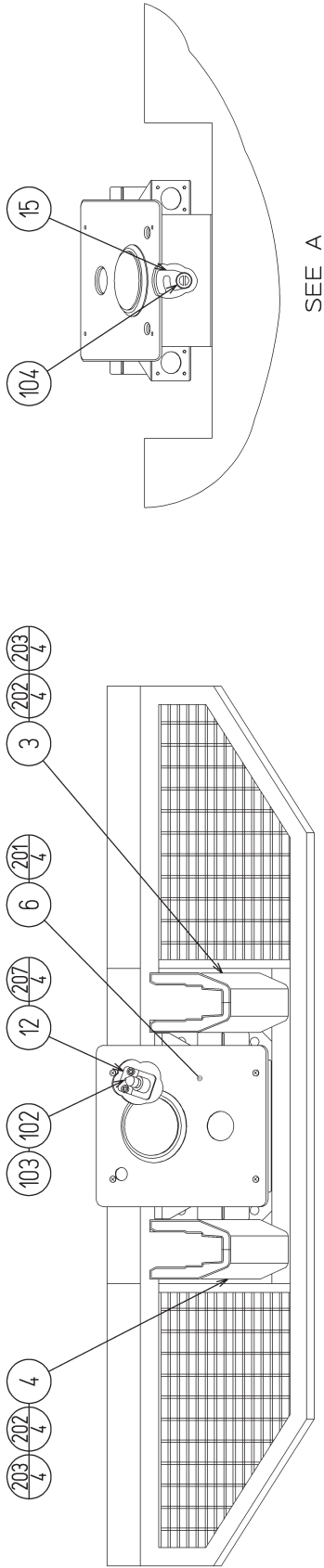


42) ASSY TURNTABLE (HSP-3650)**(D-2/2)**

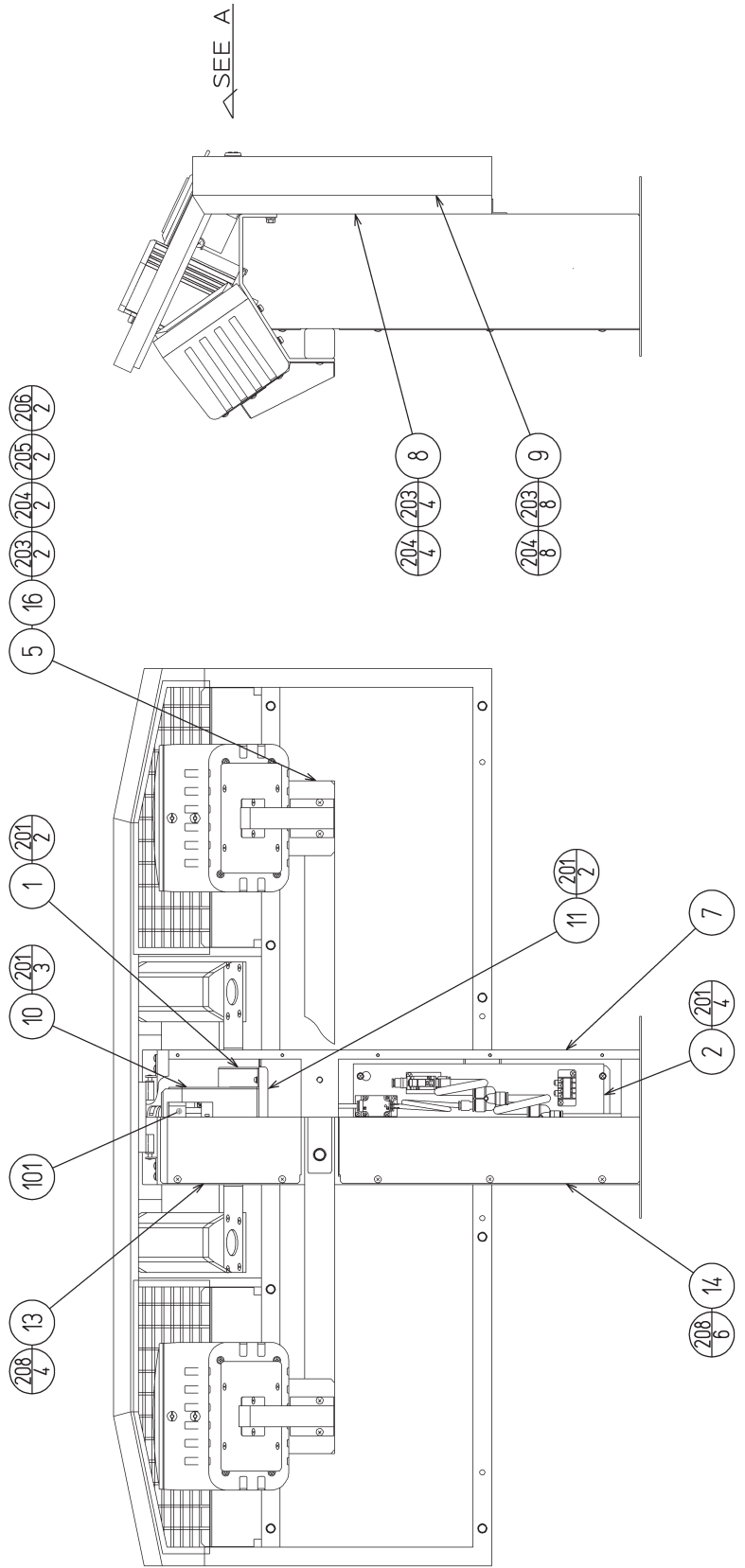
ITEM NO.	PART NO.	DESCRIPTION	NOTE
1	HSP-3651	TURNTABLE	
2	HSP-3652	WOOFER BRKT	
3	HSP-3653	FLOOR LIGHT PLATE	
4	HSP-3654	LED BRKT A	
5	HSP-3655	LED BRKT B	
6	HSP-3656	FLOOR MAT L	
7	HSP-3657	FLOOR MAT R	
8	HSP-3658	FLOOR MAT REAR	
9	HSP-3659	CIRCLE SASH	
10	HSP-3660	BASE SKIRT	
11	HSP-3661	SEAT HOLD BRKT	
12	HSP-3662	SEAT HOLD PLATE	
13	HSP-3663	MAT SASH A	
14	HSP-3664	MAT SASH B	
15	HSP-3665	MAT SASH C	
16	HSP-3667	MAT SASH E	
18	HSP-3669	AIR JOINT HOLDER A	
19	HSP-3670	AIR JOINT HOLDER B	
20	HSP-3671	AIR JOINT HOLDER C	
21	HSP-3673	RUBBER SHEET	
22	HSP-3674	JOINT BRKT	
23	HSP-3675	JOINT BRKT FRONT	
101	130-5196-01	WOOFER 4OHM 80W W/NET	
102	838-14590	LED BD RED 4EA	
103	123-5124	HEX SPACER HIROSUGI BSU-350	
104	601-9634	JOINT 10-10 P-TYPE ELBOW	
105	601-9963	AIR JOINT ROTARY 10-1/4	
106	601-11716	JOINT 10-1/4 P SMC KQ2E10-02	
107	601-11757	AIR JOINT 10 SMC KQ2N10-99	
108	601-6935	AIR JOINT 10-10 TU-TYPE	
109	601-6844-80650	AIR TUBE 10-BLACK-650	
110	601-6844-80550	AIR TUBE 10-BLACK-550	
111	601-11718	METAL CLAMP MIRAIKOGYO ST-31	
112	280-5277	CORD CLAMP 18	
201	030-000625-S	HEX BLT W/S M6x25	
202	011-T00416	TAP SCR TH 4x16	
203	011-F03516	TAP SCR FH 3.5x16	
204	000-P00420-W	M SCR PH W/FS M4x20	
205	000-T00425-0C	M SCR TH CRM M4x25	
206	050-F00400	FLG NUT M4	
207	068-441616	FLT WSHR 4.4-16x1.6	
208	030-000840-S	HEX BLT W/S M8x40	
209	050-F00800	FLG NUT M8 S=12	
210	000-F00425	M SCR FH M4x25	
211	030-000860-S	HEX BLT W/S M8x60	
212	060-F00800	FLT WSHR M8	
213	000-P00308-W	M SCR PH W/FS M3x8	
214	000-P00408-W	M SCR PH W/FS M4x8	
215	000-P00416-W	M SCR PH W/FS M4x16	
216	060-F00600	FLT WSHR M6	
217	000-P00408	M SCR PH M4x8	
218	060-S00400	SPR WSHR M4	
219	060-F00400	FLT WSHR M4	
301	HSP-62001	WH SEAT TUBE	

43 ASSY CONTROL STAND (HSP-3700)

(D-1/2)



SEE A

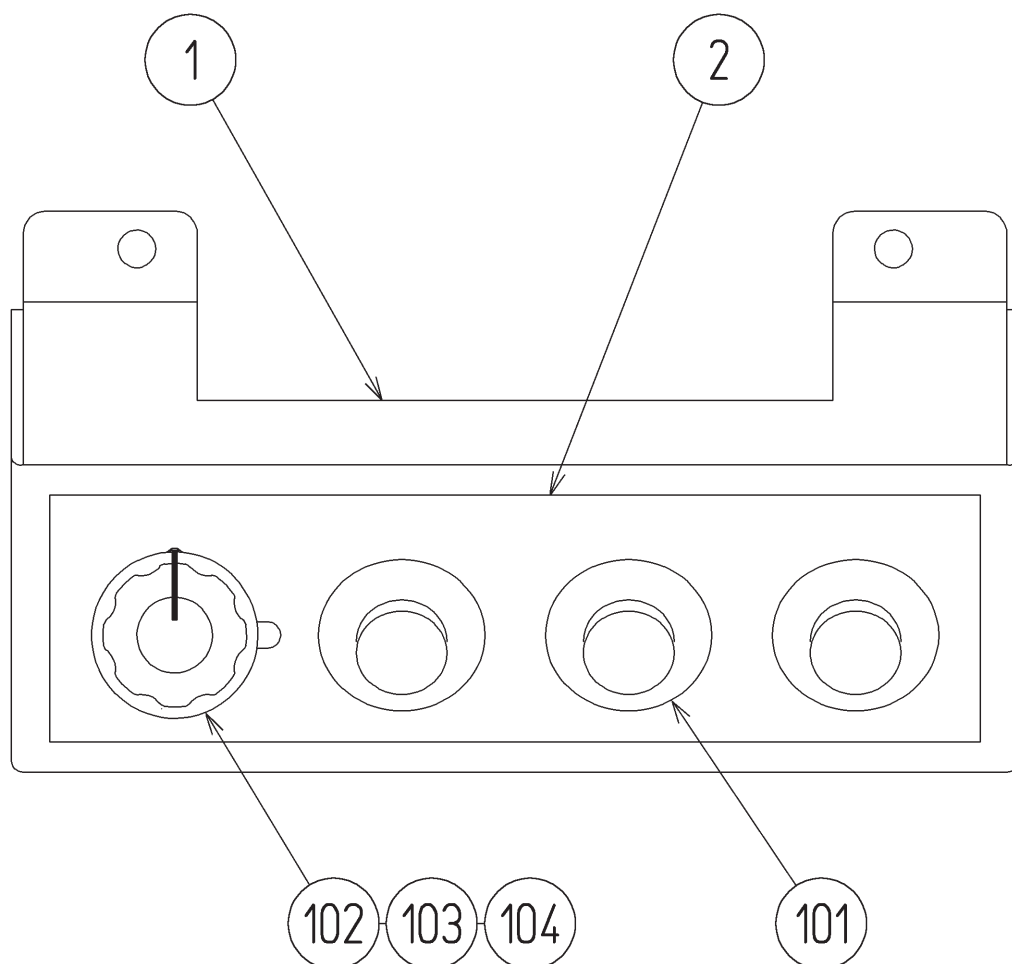


SEE A

43 ASSY CONTROL STAND (HSP-3700)**(D-2/2)**

ITEM NO.	PART NO.	DESCRIPTION	NOTE
1	HSP-3740	SW UNIT	
2	HSP-3750	ASSY VALVE	
3	HSP-3760	ASSY CONT HOLDER L	
4	HSP-3770	ASSY CONT HOLDER R	
5	HSP-3780	ASSY SPEAKER STAND	
6	HSP-3790	ASSY CONTROL PANEL	
7	HSP-3701	CONTROL STAND	
8	HSP-3702	FRONT FENCE FRAME	
9	HSP-3704	FRONT CUSHION	
10	HSP-3707	ER SW BRKT	
11	HSP-3708	SW BASE	
12	HSP-3709	NOZZLE BRKT	
13	HSP-3710	STAND LID UPPER	
14	HSP-3711	STAND LID LOWER	
15	HSP-3712	LKG TNG	
16	HSP-3713	SP STAND PLATE	
101	509-6110-91	SW PB ALFN26611DNR ROHS	
102	601-11719	NOZZLE SMC KN-R02-200	
103	601-9636	JOINT 6-1/4 P-TYPE	
104	220-5793-1-A001	CLY LOCK MASTER W/O KEY A001	
201	000-P00408-W	M SCR PH W/FS M4x8	
202	030-000612-SB	HEX BLT W/S BLK M6x12	
203	060-F00600-0B	FLT WSHR BLK M6	
204	030-000860-SB	HEX BLT W/S BLK M8x60	
205	030-000650-SB	HEX BLT W/S BLK M6x50	
206	060-F00800-0B	FLT WSHR BLK M8	
207	050-F00400	FLG NUT M4	
208	000-T00408-0B	M SCR TH BLK M4x8	
209	050-H00400	HEX NUT M4	
210	060-S00400	SPR WSHR M4	
211	060-F00400	FLT WSHR M4	
301	HSP-62006	WH CONTROL PANEL	

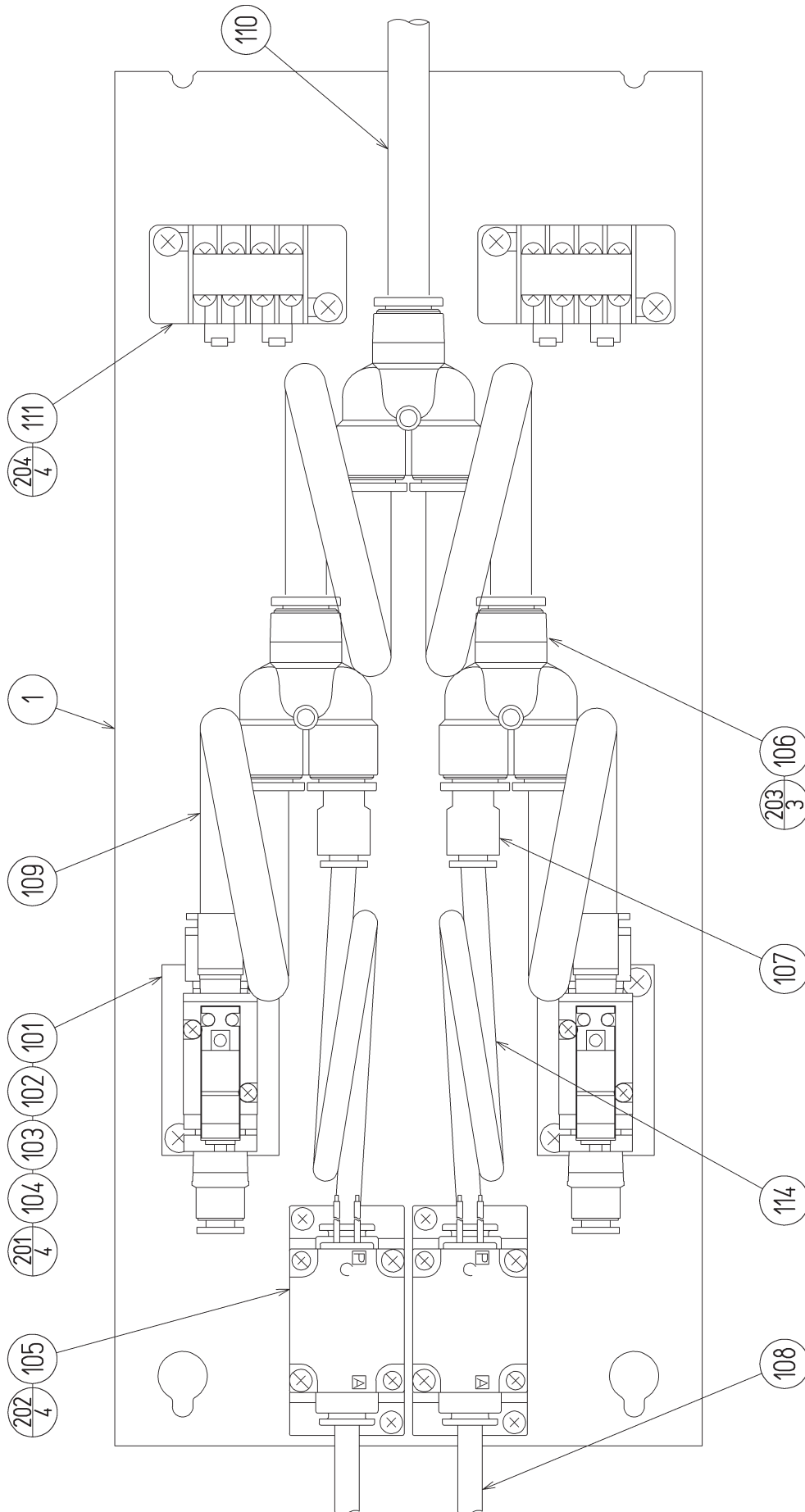
44 SW UNIT (HSP-3740)



ITEM NO.	PART NO.	DESCRIPTION	NOTE
1	HSP-3741	SV SW BRKT	
2	421-12087	STICKER SW UNIT HSP	
101	509-5028	SW PB 1M (MIYAMA DS-412R)	
102	220-5754	VOL CONT B5KOHM (RV24YN 15S)	
103	601-0042	KNOB 22 MM	
104	310-5029-D20	SUMITUBE F D 20MM	
301	HSP-62005	WH SW UNIT	

45 ASSY VALVE (HSP-3750)

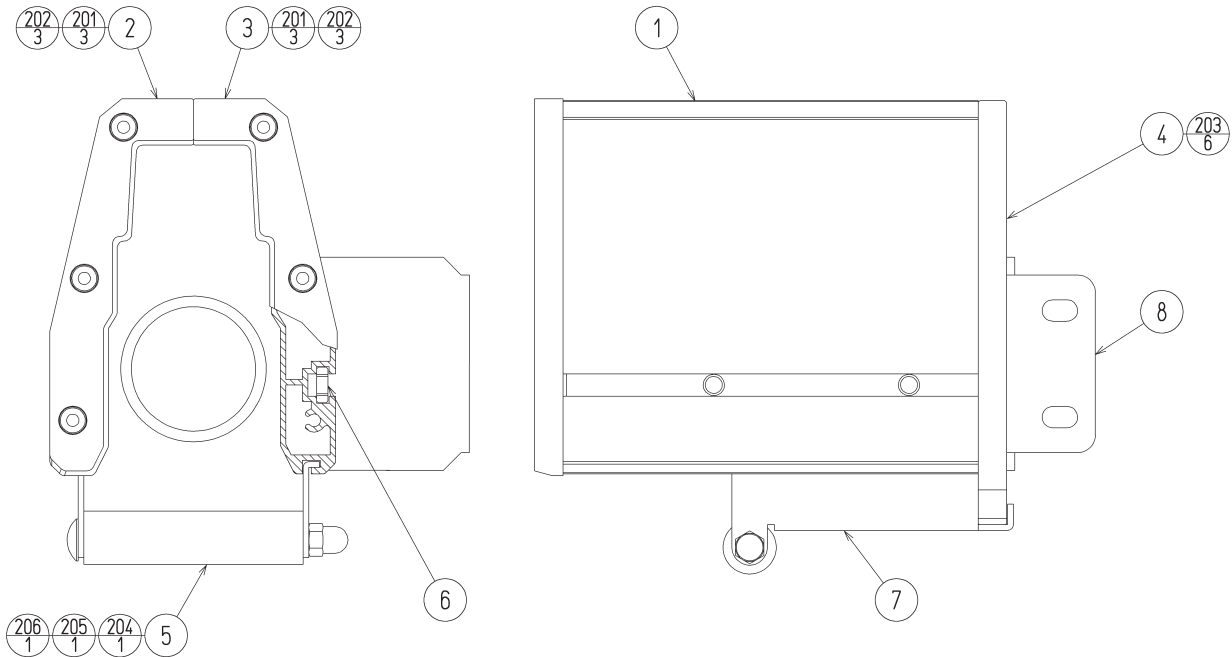
(D-1/2)



45 ASSY VALVE (HSP-3750)**(D-2/2)**

ITEM NO.	PART NO.	DESCRIPTION	NOTE
1	HSP-3751	VALVE BASE	
101	601-11720	VALVE SMC VQZ3120-5M-02-F	
102	601-11721	AIR JOINT 4-1/4	
103	601-7249	AIR JOINT 10-1/4	
104	601-11722	SILENSER SMC AN101-01	
105	601-11723	VALVE SMC VQ21A1-5G-C6-F	
106	601-6258	AIR JOINT (EYB-10-10)	
107	601-9962	AIR JOINT REDUCER 6-10	
108	601-6843-80220	AIR TUBE 6-BLACK-220	
109	601-6844-80300	AIR TUBE 10-BLACK-300	
110	601-6844-80160	AIR TUBE 10-BLACK-160	
111	117-5441-04	TERM BLK RTK-10M-4P(RS)	
112	209-0023	CONN CLOSED END	
113	601-0460	PLASTIC TIE BELT 100 MM	
114	601-6843-80300	AIR TUBE 6-BLACK-300	
201	000-P00408-W	M SCR PH W/FS M4x8	
202	000-P00308-W	M SCR PH W/FS M3x8	
203	000-P00425-W	M SCR PH W/FS M4x25	
204	000-P00408-S	M SCR PH W/S M4x8	
301	HSP-62002X	WH EXT FRONT VALVE	
302	HSP-65011	WH VALVE A	
303	HSP-65012	WH VALVE B	
306	HSP-62017X	DIODE W/TERMINAL	

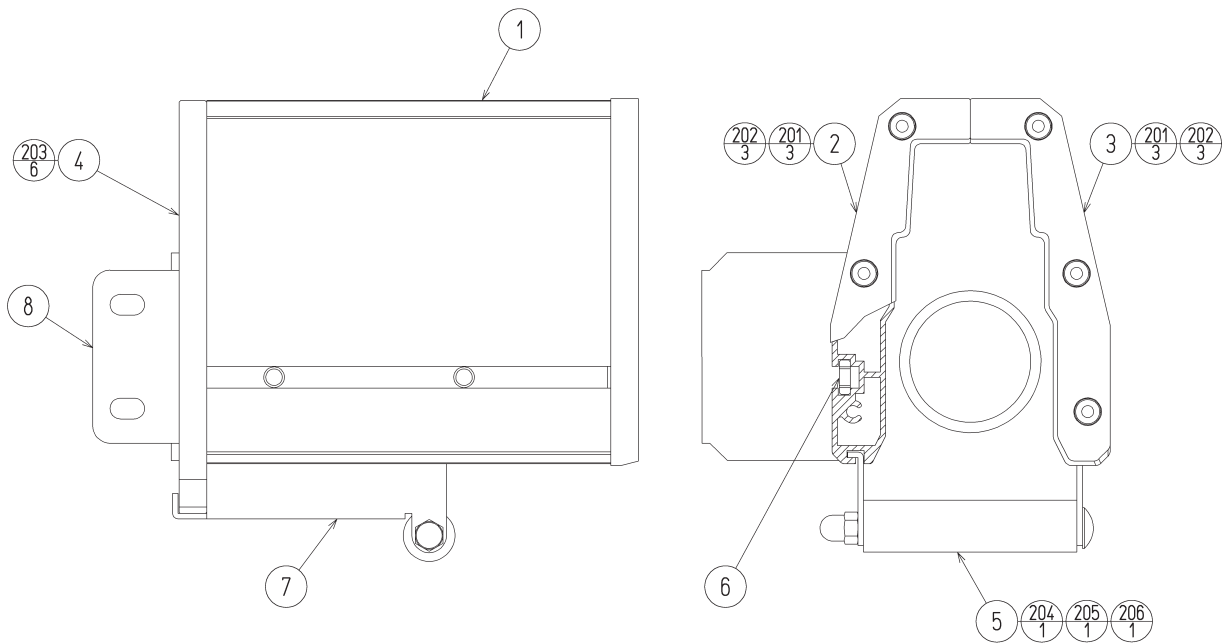
46 ASSY CONT HOLDER L (HSP-3760)



ITEM NO.	PART NO.	DESCRIPTION	NOTE
1	HSP-3761	CONTROLLER HOLDER	
2	HSP-3762	HOLDER PLATE L	
3	HSP-3763	HOLDER PLATE R	
4	HSP-3764	HOLDER PLATE BOTTOM	
5	HSP-3765	HOLDER COLLAR	
6	HSP-3766	NUT PLATE	
7	HSP-3767	HOLDER GUIDE	
8	HSP-3768	HOLDER BRKT L	
201	020-000410-0Z	HEX SKT H CAP SCR BLK OZ M4x10	
202	060-S00400-0B	SPR WSHR BLK M4	
203	000-T00416-0B	M SCR TH BLK M4x16	
204	FAS-000158	M SCR TH BLK M5x70	
205	050-C00500-3B	CAP NUT TYPE3 BLK M5	
206	060-S00500-0B	SPR WSHR BLK M5	

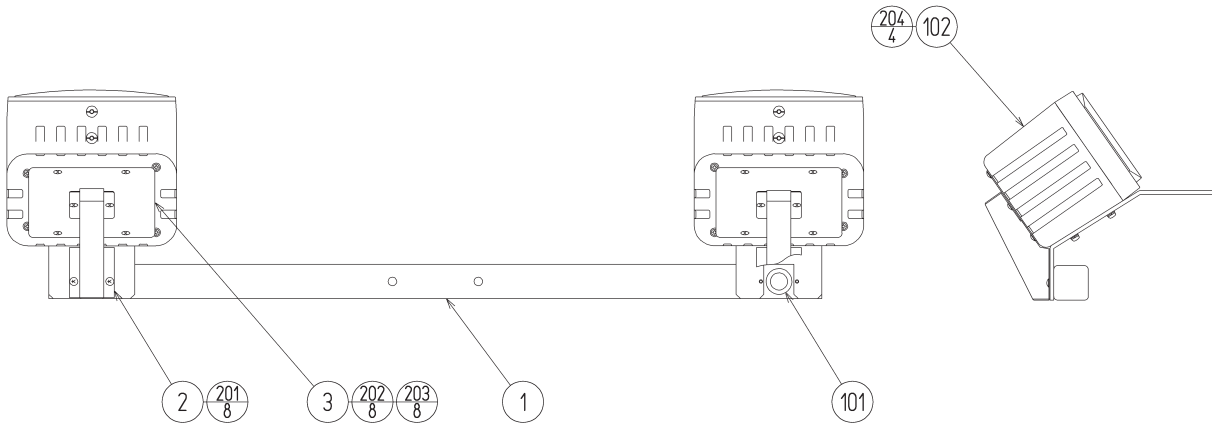
47 ASSY CONT HOLDER R (HSP-3770)

MAIN CABINET



ITEM NO.	PART NO.	DESCRIPTION	NOTE
1	HSP-3761	CONTROLLER HOLDER	
2	HSP-3762	HOLDER PLATE L	
3	HSP-3763	HOLDER PLATE R	
4	HSP-3764	HOLDER PLATE BOTTOM	
5	HSP-3765	HOLDER COLLAR	
6	HSP-3766	NUT PLATE	
7	HSP-3767	HOLDER GUIDE	
8	HSP-3771	HOLDER BRKT R	
201	020-000410-OZ	HEX SKT H CAP SCR BLK OZ M4x10	
202	060-S00400-OB	SPR WSHR BLK M4	
203	000-T00416-OB	M SCR TH BLK M4x16	
204	FAS-000158	M SCR TH BLK M5x70	
205	050-C00500-3B	CAP NUT TYPE3 BLK M5	
206	060-S00500-OB	SPR WSHR BLK M5	

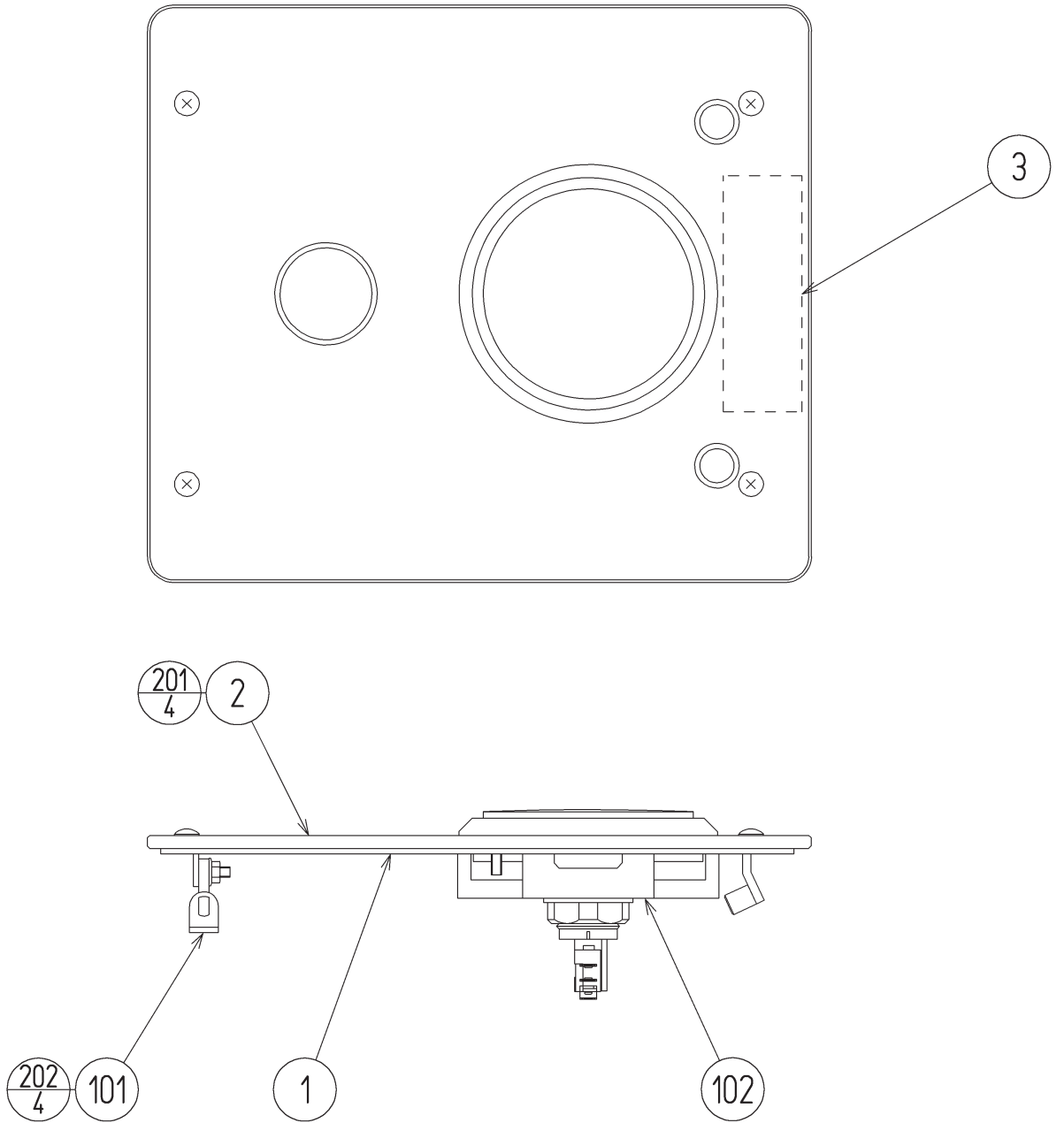
48 ASSY SPEAKER STAND (HSP-3780)



NOTE: The speaker must be attached so that the bass reflex duct is on the inside and the cone is on the outside.

ITEM NO.	PART NO.	DESCRIPTION	NOTE
1	HSP-3781	SP STAND	
2	HSP-3782	CABLE DUCT FRONT SP	
3	HSP-3783	SP PLATE	
101	280-6690	GROM TAKIGEN C-30-NG-79-N-UL	
102	130-5228-01-91	SPEAKER BOX 4OHM 40W	
201	000-T00408-0B	M SCR TH BLK M4x8	
202	012-P00512-0B	TAP SCR #2 PH BLK 5x12	
203	060-F00500-0B	FLT WSHR BLK M5	
204	000-P00512-0B	M SCR PH BLK M5x12	
301	HSP-62003X	WH SPEAKER F L	
302	HSP-62004X	WH SPEAKER F R	

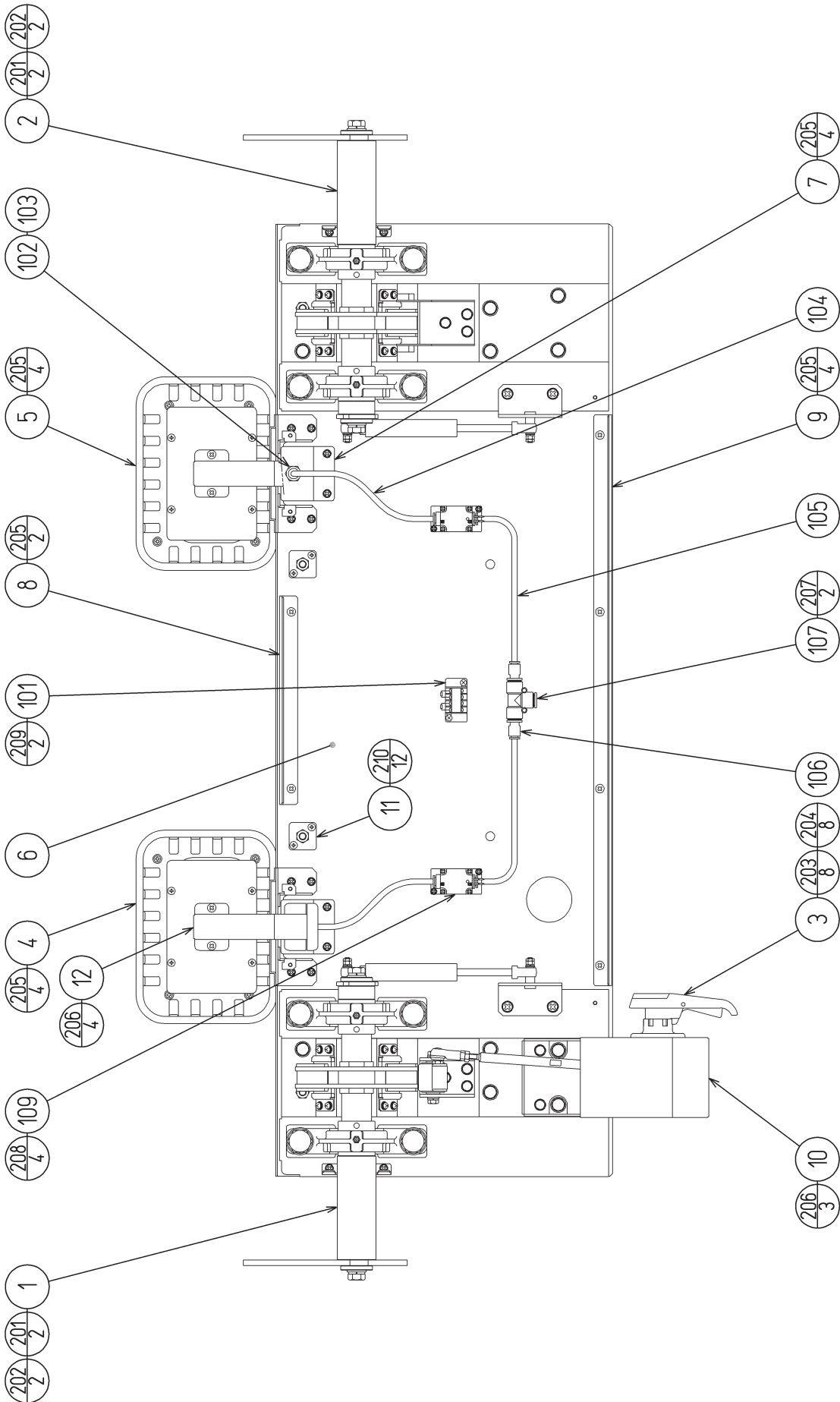
49 ASSY CONTROL PANEL (HSP-3790)



ITEM NO.	PART NO.	DESCRIPTION	NOTE
1	HSP-3791	CONTROL PANEL BASE	
2	HSP-3792	CONTROL PANEL PLATE	
3	440-CS0312-EG 440-CS0312-CE	STICKER C CONTROLLER ENG STICKER C CONTROLLER CE	<Hong Kong> <CE>
101	601-11724	HINGE TOCHIGIYA TH-134-2A	
102	509-6111	SW PB OBSA-100UM-Y-1FLED-Y-12V	
201	000-T00412-0B	M SCR TH BLK M4x12	
202	050-F00400	FLG NUT M4	

50 ASSY ARM REST MECHA (HSP-3800)

(D-1/2)



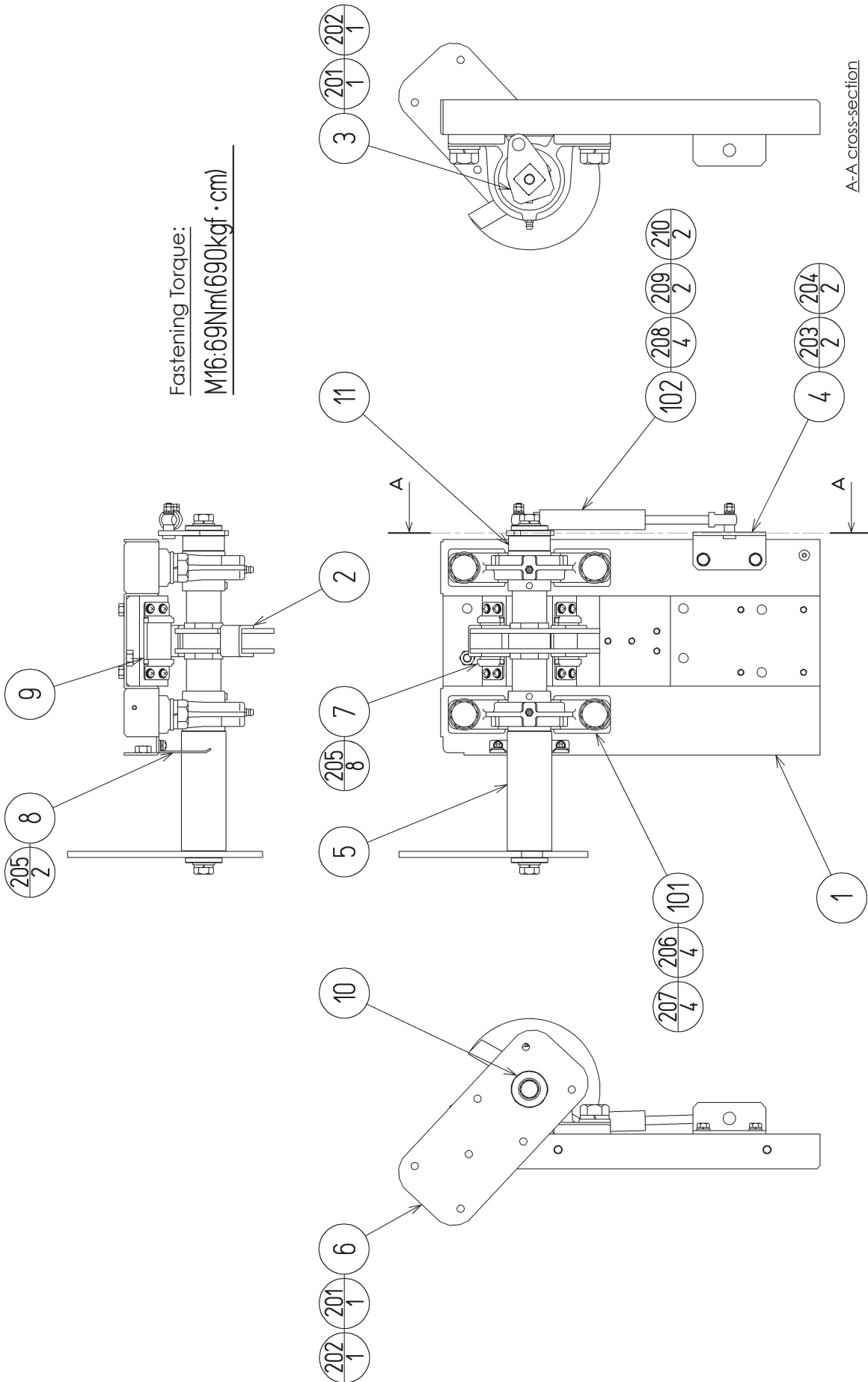
MAIN CABINET

50 ASSY ARM REST MECHA (HSP-3800)**(D-2/2)****MAIN CABINET**

ITEM NO.	PART NO.	DESCRIPTION	NOTE
1	HSP-3830	ASSY AR SHAFT BASE L	
2	HSP-3850	ASSY AR SHAFT BASE R	
3	HSP-3860	ASSY ARM REST LOCK	
4	HSP-3870	ASSY REAR SP L	
5	HSP-3880	ASSY REAR SP R	
6	HSP-3801	ARM REST BASE	
7	HSP-3802	REAR NOZZLE BRKT	
8	HSP-3803	AR MECHA COVER BRKT UPPER	
9	HSP-3804	AR MECHA COVER BRKT LOWER	
10	HSP-3805	AR LOCK COVER	
11	HSP-3611	NUT PLATE	
12	HSP-3872	CABLE DUCT REAR SP	
101	117-5441-04	TERM BLK RTK-10M-4P(RS)	
102	601-11719	NOZZLE SMC KN-R02-200	
103	601-9636	JOINT 6-1/4 P-TYPE	
104	601-6843-80250	AIR TUBE 6-BLACK-250	
105	601-6843-80350	AIR TUBE 6-BLACK-350	
106	601-9962	AIR JOINT REDUCER 6-10	
107	601-6935	AIR JOINT 10-10 TU-TYPE	
108	209-0023	CONN CLOSED END	
109	601-11723	VALVE SMC VQ21A1-5G-C6-F	
110	601-0460	PLASTIC TIE BELT 100 MM	
201	030-000830-S	HEX BLT W/S M8x30	
202	060-F00800	FLT WSHR M8	
203	030-000612-S	HEX BLT W/S M6x12	
204	060-F00600	FLT WSHR M6	
205	000-P00416-W	M SCR PH W/FS M4x16	
206	000-T00408-0B	M SCR TH BLK M4x8	
207	000-P00430-W	M SCR PH W/FS M4x30	
208	011-P00312	TAP SCR PH 3x12	
209	000-P00416-S	M SCR PH W/S M4x16	
210	011-T03512	TAP SCR TH 3.5x12	
211	000-P00408	M SCR PH M4x8	
212	060-S00400	SPR WSHR M4	
213	060-F00400	FLT WSHR M4	
301	HSP-62007X	WH EXT REAR VALVE	
302	HSP-62009	WH ARM REST MECHA A	
303	HSP-62010	WH ARM REST MECHA B	
304	HSP-65011	WH VALVE A	
305	HSP-65012	WH VALVE B	
306	HSP-62017X	DIODE W/TERMINAL	

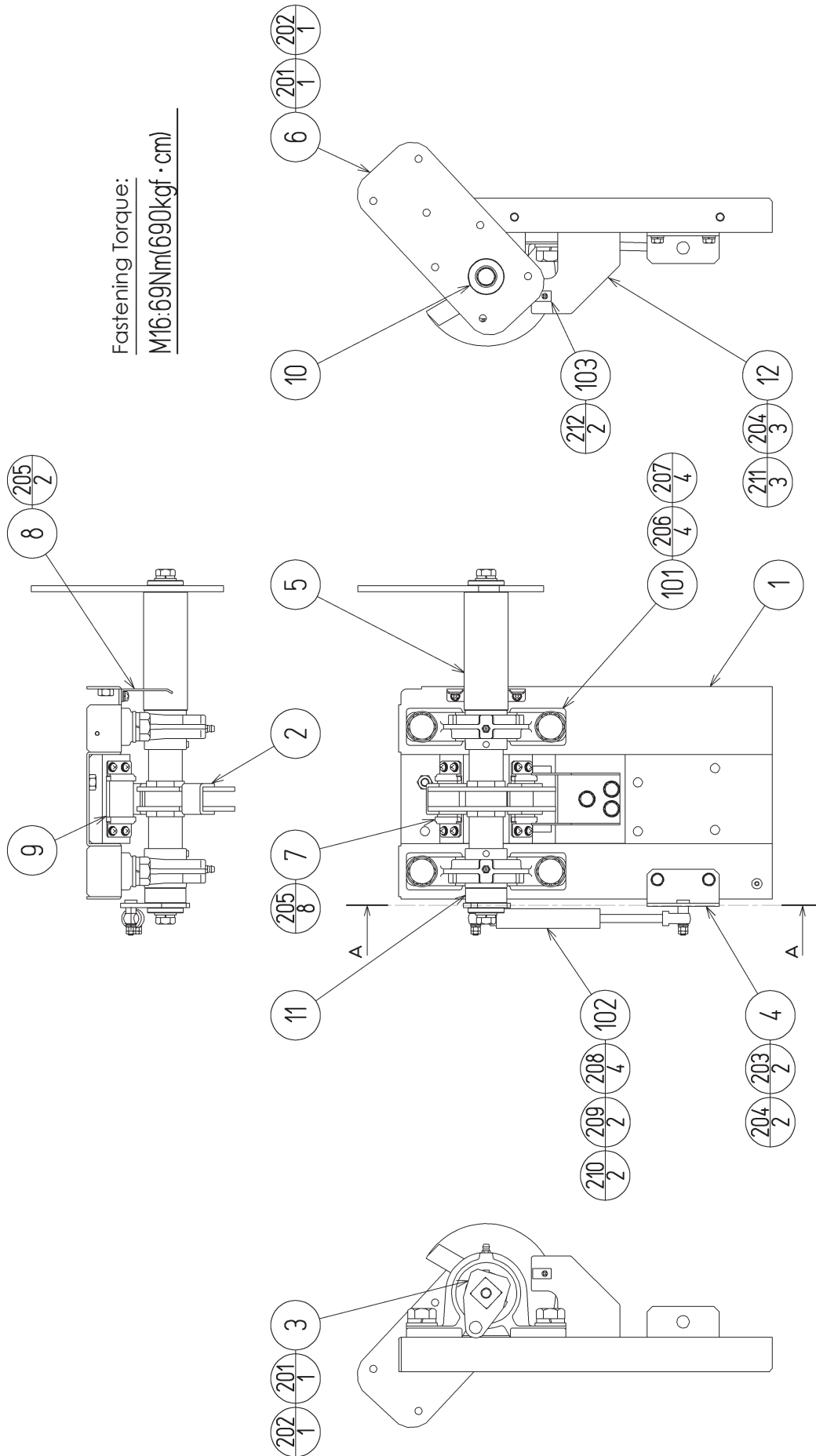
51 ASSY AR SHAFT BASE L (HSP-3830)

(D-1/2)



51 ASSY AR SHAFT BASE L (HSP-3830)**(D-2/2)**

ITEM NO.	PART NO.	DESCRIPTION	NOTE
1	HSP-3831	AR SHAFT BASE L	
2	HSP-3832	ARM REST SHAFT L	
3	HSP-3833	GS LEVER L	
4	HSP-3834X	GS BRKT	
5	HSP-3835	AR SIDE COLLAR	
6	HSP-3836	AR HOLDER BASE	
7	HSP-3837	AR RUBBER HOLDER	
8	HSP-3838	AR BLIND BRKT	
9	HSP-3839	STOPPER RUBBER SHEET	
10	HSP-3840	AR WASHER	
11	HSP-3841	AR COLLAR	
101	100-5240-02	BEARING 30 UCPE206D W/O NIPPLE	
102	601-11725	GAS SPRING FGS-19-50-AA-350	
201	030-001025-S	HEX BLT W/S M10x25	
202	060-F01000	FLT WSHR M10	
203	030-000620-S	HEX BLT W/S M6x20	
204	060-F00600	FLT WSHR M6	
205	000-P00408-W	M SCR PH W/FS M4x8	
206	030-001640-S	HEX BLT W/S M16x40	
207	060-F01600	FLT WSHR M16	
208	050-H00500	HEX NUT M5	
209	060-F00500	FLT WSHR M5	
210	060-S00500	SPR WSHR M5	



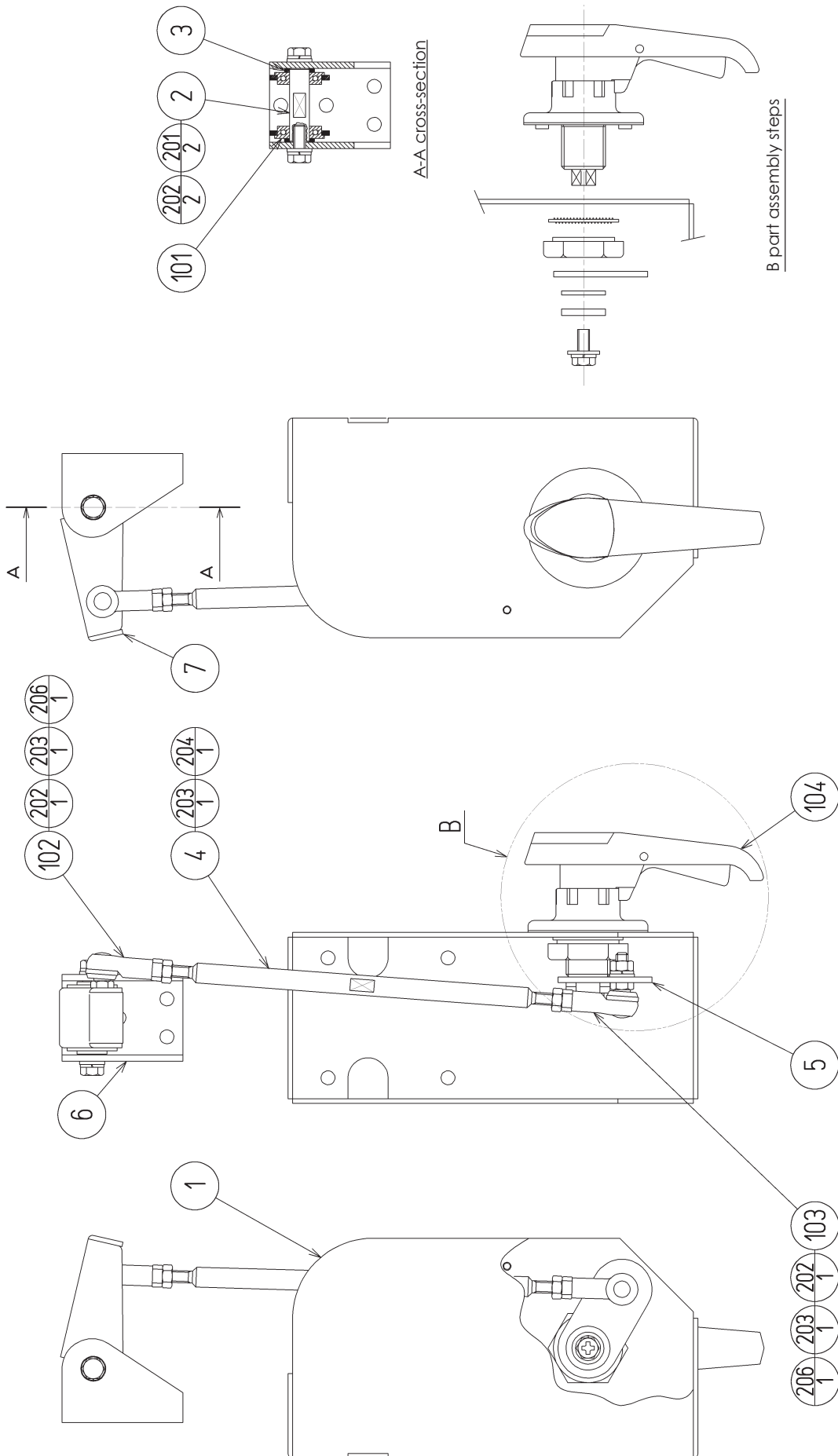
A-A cross-section

52 ASSY AR SHAFT BASE R (HSP-3850)**(D-2/2)**

ITEM NO.	PART NO.	DESCRIPTION	NOTE
1	HSP-3851	AR SHAFT BASE R	
2	HSP-3852	ARM REST SHAFT R	
3	HSP-3853	GS LEVER R	
4	HSP-3834X	GS BRKT	
5	HSP-3835	AR SIDE COLLAR	
6	HSP-3836	AR HOLDER BASE	
7	HSP-3837	AR RUBBER HOLDER	
8	HSP-3838	AR BLIND BRKT	
9	HSP-3839	STOPPER RUBBER SHEET	
10	HSP-3840	AR WASHER	
11	HSP-3841	AR COLLAR	
12	HSP-3854	AR SENSOR BRKT	
101	100-5240-02	BEARING 30 UCPE206D W/O NIPPLE	
102	601-11725	GAS SPRING FGS-19-50-AA-350	
103	370-5239-05	PI KB1246 300T-100T	
201	030-001025-S	HEX BLT W/S M10x25	
202	060-F01000	FLT WSHR M10	
203	030-000620-S	HEX BLT W/S M6x20	
204	060-F00600	FLT WSHR M6	
205	000-P00408-W	M SCR PH W/FS M4x8	
206	030-001640-S	HEX BLT W/S M16x40	
207	060-F01600	FLT WSHR M16	
208	050-H00500	HEX NUT M5	
209	060-F00500	FLT WSHR M5	
210	060-S00500	SPR WSHR M5	
211	030-00612-S	HEX BLT W/S M6x12	
212	000-P00310-W	M SCR PH W/FS M3x10	

53 ASSY ARM REST LOCK (HSP-3860)

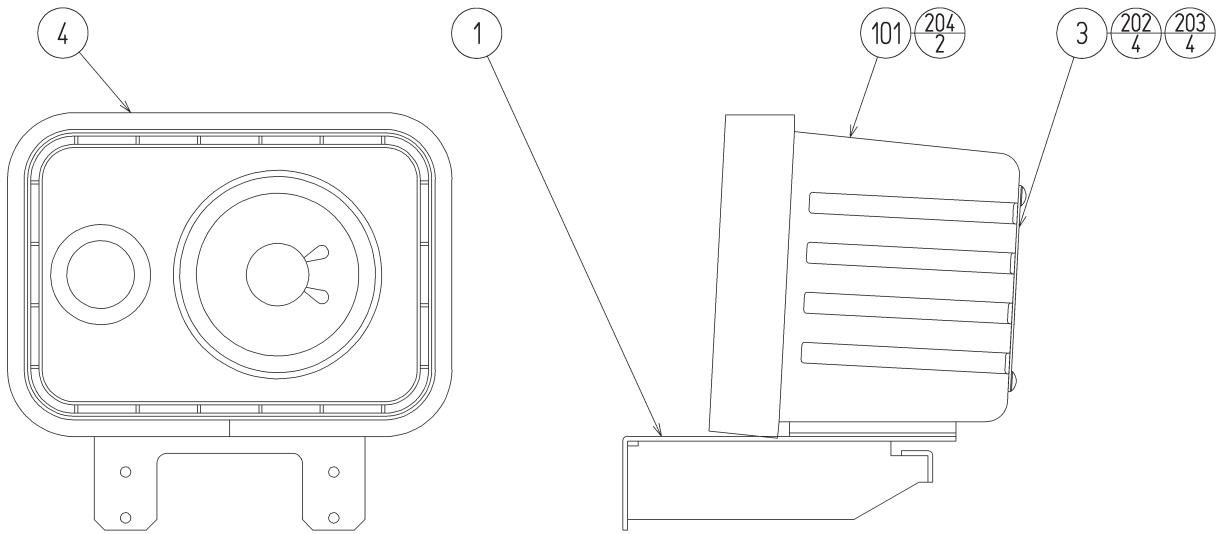
(D-1/2)



53 ASSY ARM REST LOCK (HSP-3860)**(D-2/2)**

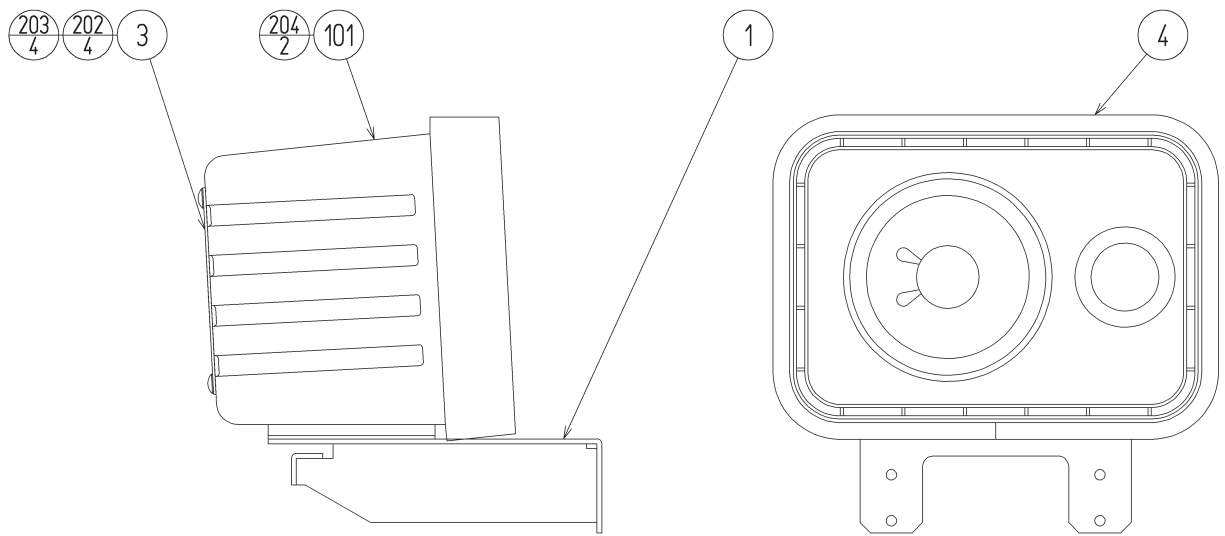
ITEM NO.	PART NO.	DESCRIPTION	NOTE
1	HSP-3861	AR LOCK BASE	
2	HSP-3862	AR LOCK SHAFT	
3	HSP-3863	AR LOCK SPACER	
4	HSP-3864	AR LOCK ROD	
5	HSP-3865X	LOCK LEVER PLATE	
6	HSP-3866	LOCK BRKT 1	
7	HSP-3867	LOCK BRKT 2	
101	100-5486	BEARING 10 FL6900ZZ	
102	111-1151	LINK BALL RBL6D	
103	111-1152	LINK BALL RBL6DL	
104	109-5027	TRIGGER HANDLE	
201	030-00616-S	HEX BLT W/S M6x16	
202	060-F00600	FLT WSHR M6	
203	050-H00600	HEX NUT M6	
204	FAS-500054	HEX NUT L M6	
206	060-S00600	SPR WSHR M6	

54 ASSY REAR SP L (HSP-3870)



ITEM NO.	PART NO.	DESCRIPTION	NOTE
1	HSP-3871	SP BRKT	
3	HSP-3783	SP PLATE	
4	HSP-3874	CUSHION SPONGE REAR SP	
101	130-5228-01-91	SPEAKER BOX 4OHM 40W	
202	012-P00512-0B	TAP SCR #2 PH BLK 5x12	
203	060-F00500-0B	FLT WSHR BLK M5	
204	000-P00512-WB	M SCR PH W/FS BLK M5x12	

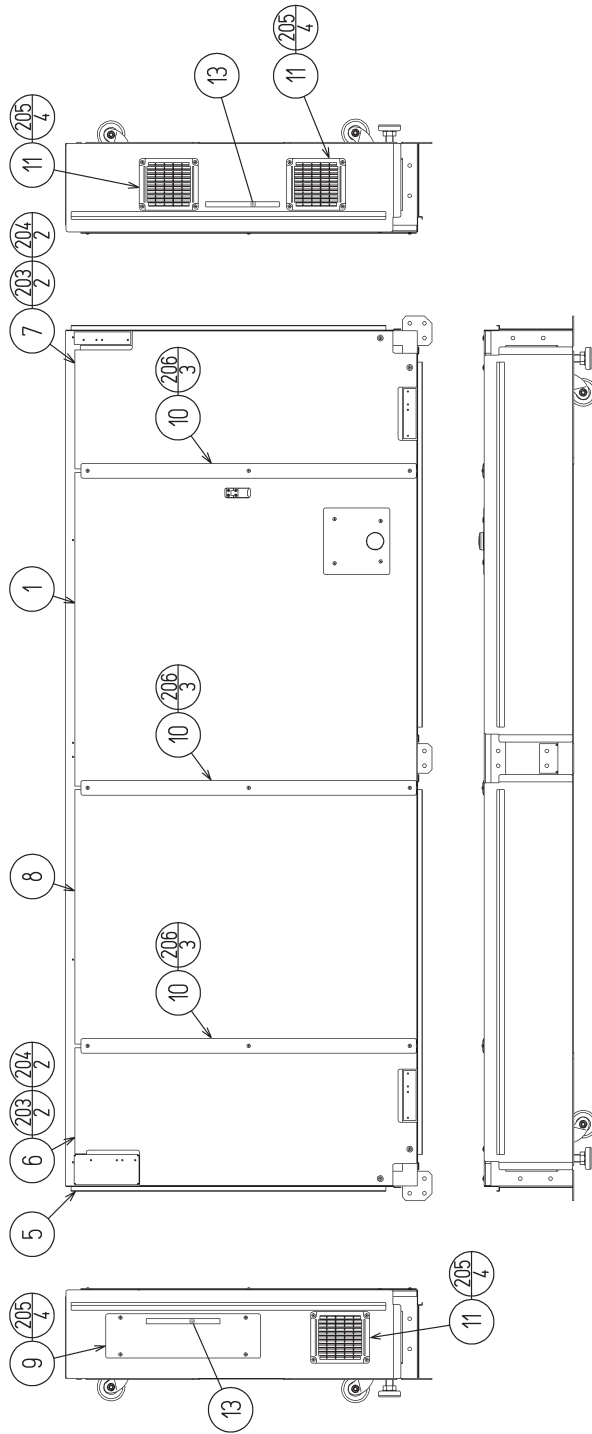
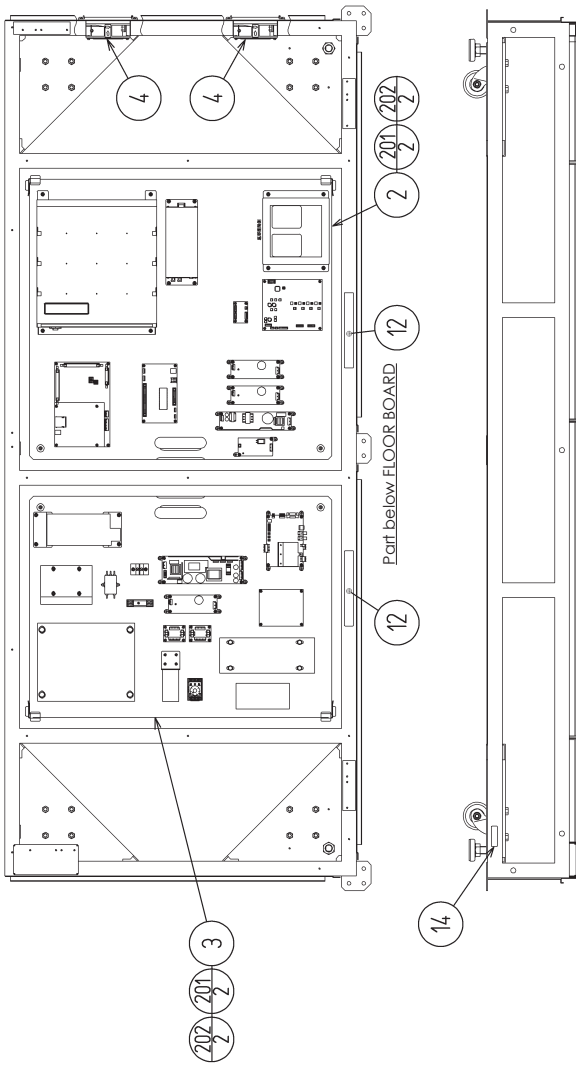
55 ASSY REAR SP R (HSP-3880)



ITEM NO.	PART NO.	DESCRIPTION	NOTE
1	HSP-3871	SP BRKT	
3	HSP-3783	SP PLATE	
4	HSP-3874	CUSHION SPONGE REAR SP	
101	130-5228-01-91	SPEAKER BOX 4OHM 40W	
202	012-P00512-0B	TAP SCR #2 PH BLK 5x12	
203	060-F00500-0B	FLT WSHR BLK M5	
204	000-P00512-WB	M SCR PH W/FS BLK M5x12	

56 ASSY REAR BASE (HSP-3300)

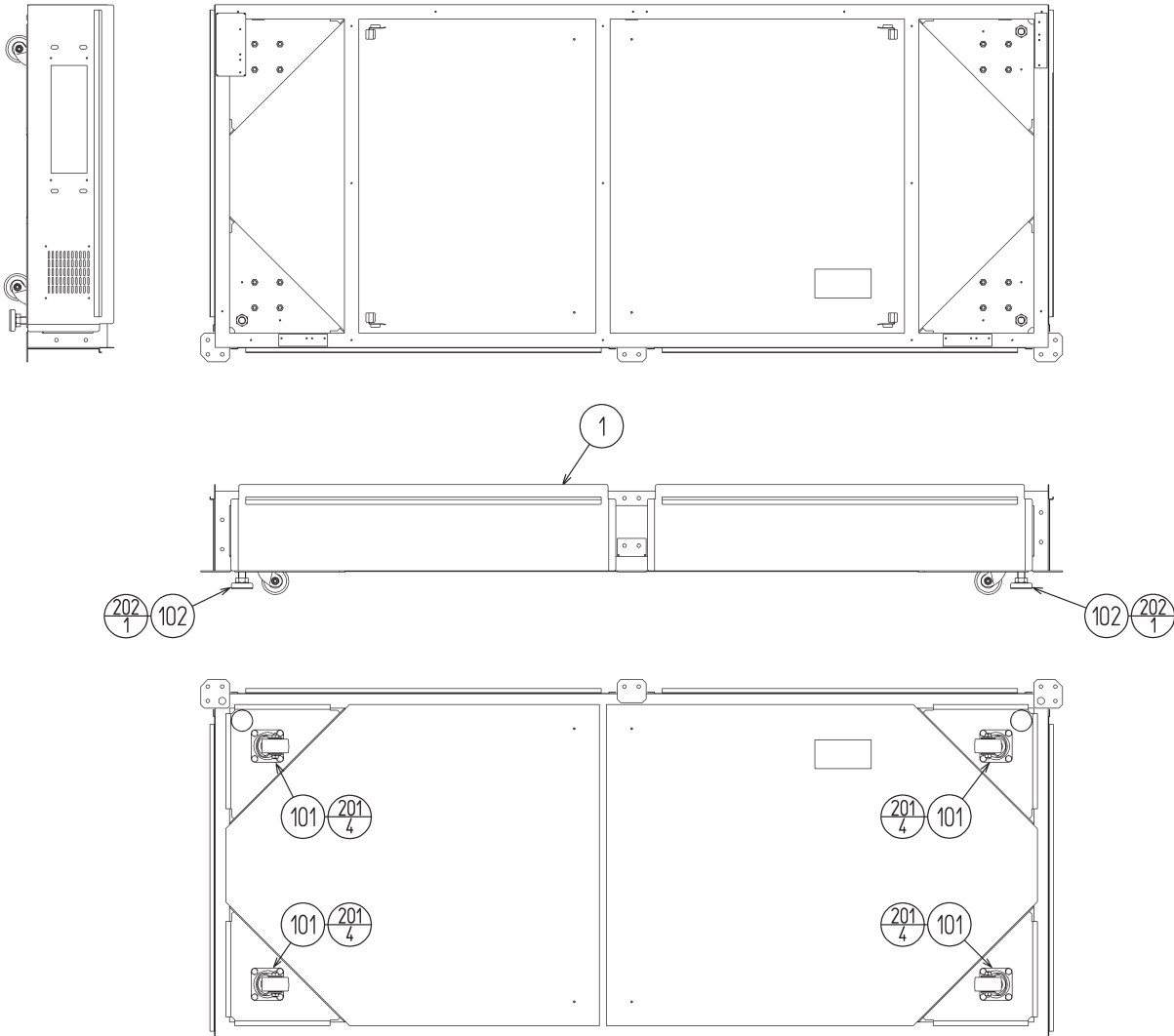
(D-1/2)



56 ASSY REAR BASE (HSP-3300)**(D-2/2)**

ITEM NO.	PART NO.	DESCRIPTION	NOTE
1	HSP-3380	ASSY FLOOR BOARD MAIN BD	
2	HSP-4000	ASSY MAIN BD	
3	HSP-4100	ASSY PWR SPLY	
4	STR-1070	FAN UNIT	
5	HSP-3320	ASSY SUB REAR BASE	
6	HSP-3302	FLOOR BOARD RB L	
7	HSP-3303	FLOOR BOARD RB R	
8	HSP-3304	FLOOR BOARD PWR SPLY	
9	HSP-3305	BASE LID	
10	HSP-3105	FLOOR SASH S	
11	253-5460-01	AIR VENT BLACK	
12	440-WS0143-EG	STICKER W POWER OFF WIDE ENG	
13	421-12095-01	STICKER FENCE HSP ENG	<Hong Kong>
	HSP-3308	STICKER FENCE HSP CE	<CE>
103	280-5277	CORD CLAMP 18	
104	280-5275-SR10	CORD CLAMP SR10	
201	000-P00525-S	M SCR PH W/S M5x25	
202	068-552016	FLT WSHR 5.5-20 x1.6	
203	000-T00425-0B	M SCR TH BLK M4x25	
204	068-441616-0B	FLT WSHR BLK 4.4-16x1.6	
205	000-T00408-0B	M SCR TH BLK M4x8	
206	000-T00425-0C	M SCR TH CRM M4x25	
209	000-P00408	M SCR PH M4x8	
210	060-S00400	SPR WSHR M4	
211	060-F00400	FLT WSHR M4	
301	600-7929	RGB CABLE DVI BNC 6M	
302	600-7930	RGB CABLE DSUB BNC 6M	
303	HSP-61023	WH FAN	
304	HSP-61024	WH TERM FT SENSOR R	
305	HSP-61025	WH GUN LED TERM R	
307	600-7914-0500	WH EARTH UL1015 AWG10 0500MM	
/	HSP-3306	CUSHION SPONGE BASE A	
/	HSP-3307	CUSHION SPONGE BASE B	

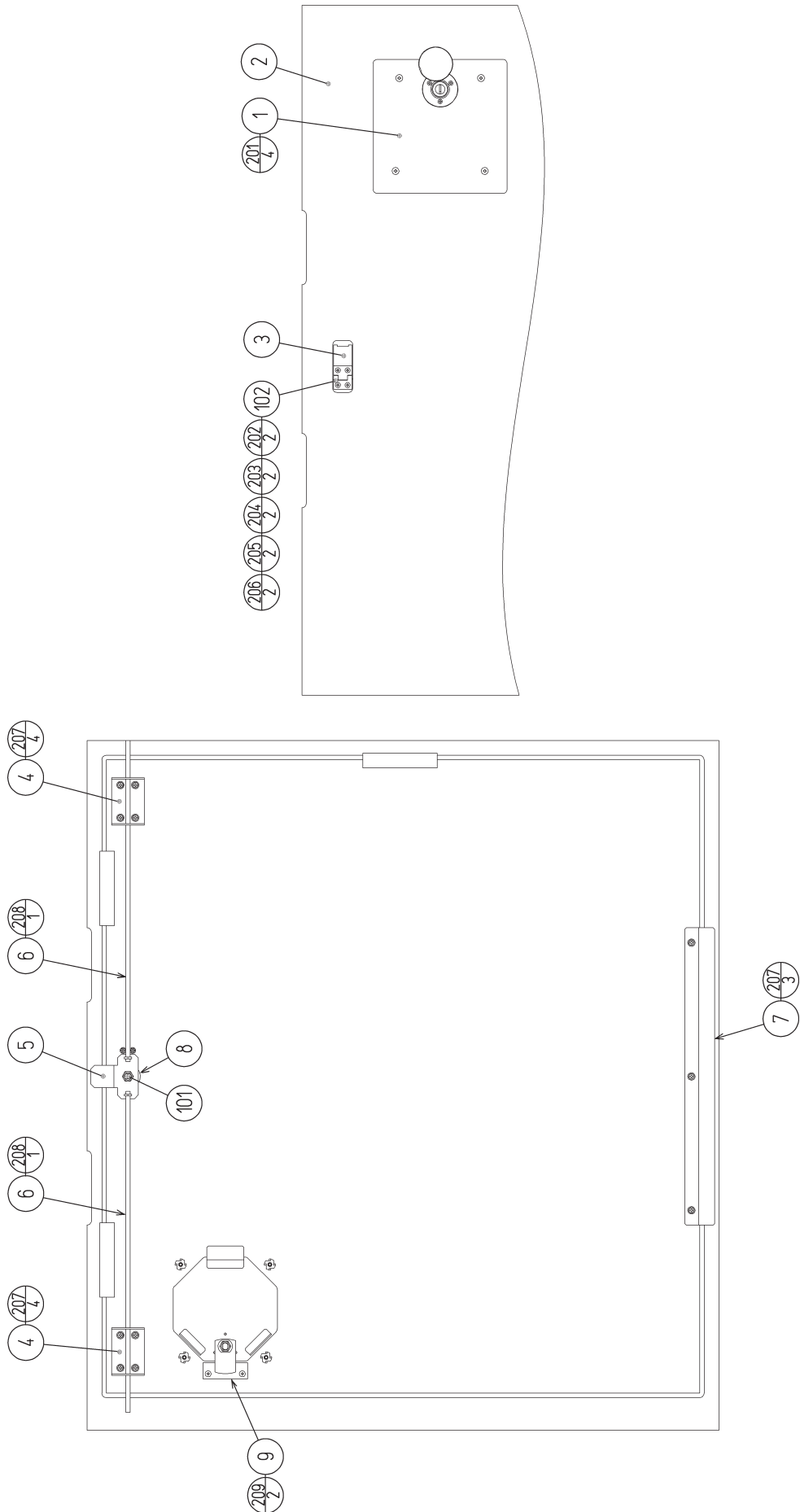
57 ASSY SUB REAR BASE (HSP-3320)



ITEM NO.	PART NO.	DESCRIPTION	NOTE
1	HSP-3301X	REAR BASE FRAME	
101	601-11709	CASTER 75 TOCHIGIYA 106HB-P	
102	601-11032	LEG ADJUSTER C-280-0	
201	030-001020-S	HEX BLT W/S M10x20	
202	FAS-500056	HEX NUT M20	

58 ASSY FLOOR BOARD MAIN BD (HSP-3380)

(D-1/2)



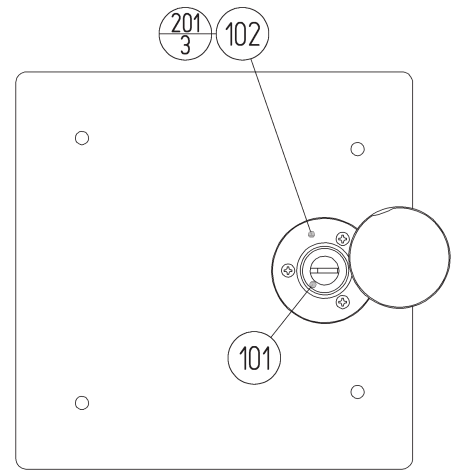
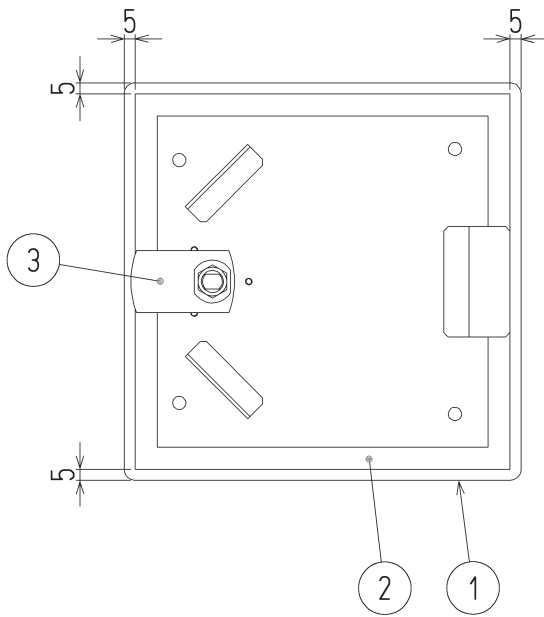
58 ASSY FLOOR BOARD MAIN BD (HSP-3380)

(D-2/2)

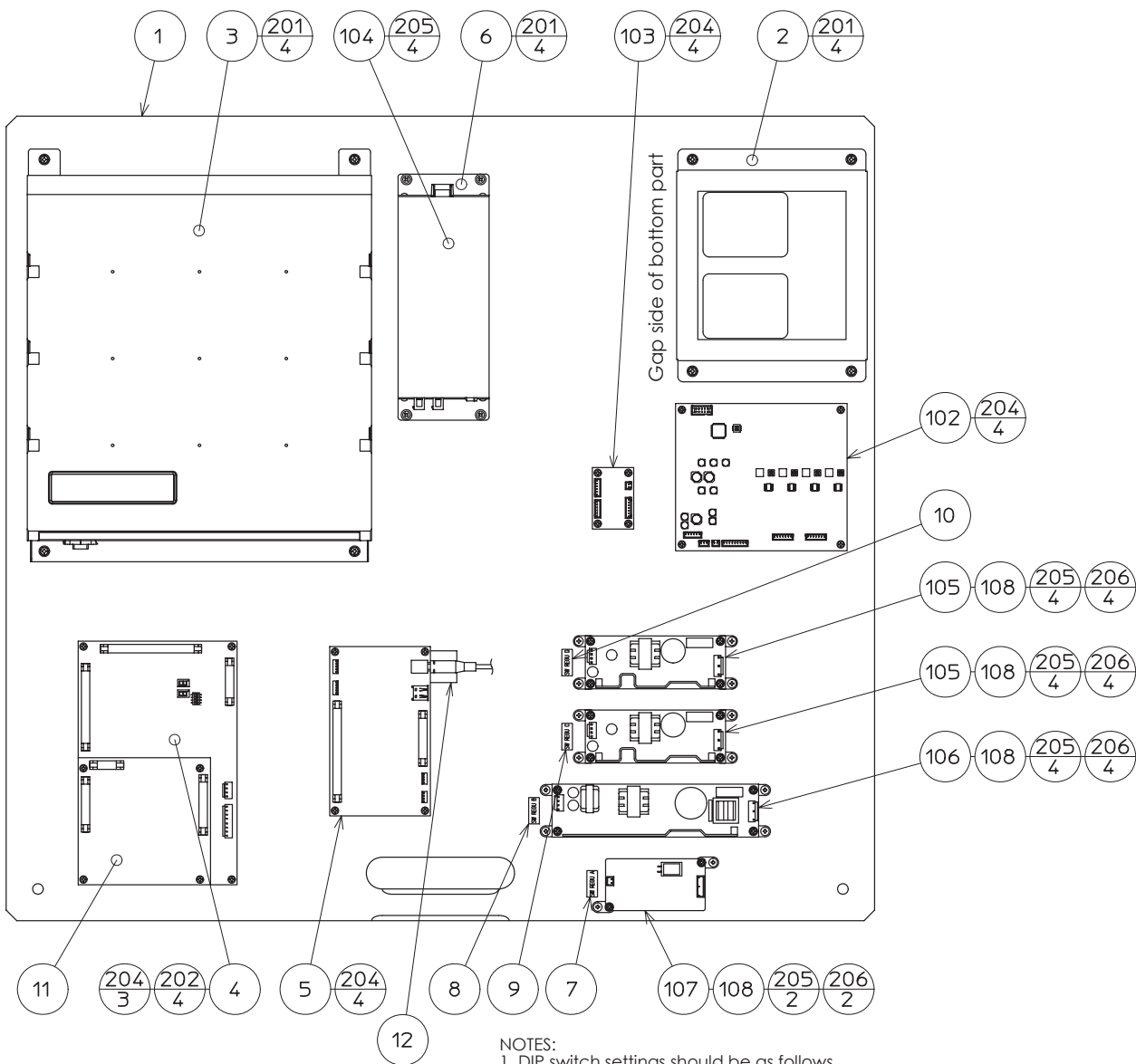
ITEM NO.	PART NO.	DESCRIPTION	NOTE
1	HSP-3390	ASSY DVD LID	
2	HSP-3381	FLOOR BOARD MAIN BD	
3	HSP-3382	KEY LID	
4	HSP-3383	ROD HOLDER	
5	HSP-3384	LOCK PLATE	
6	HSP-3385	LOCK ROD	
7	HSP-3386	FLOOR BOARD HOOK	
8	117-0062	PLATE LOCK RETAINER	
9	117-5098	TNG RETAINER PLATE	
101	220-5793-1-A001	CLY LOCK MASTER W/O KEY A001	
102	601-11713	HINGE TOCHIGIYA TH-78SUS-1	
201	000-T00420-0B	M SCR TH BLK M4x20	
202	000-T00325-0C	M SCR TH CRM M3x25	
203	050-H00300	HEX NUT M3	
204	060-S00300	SPR WSHR M3	
205	060-F00300	FLT WSHR M3	
206	FAS-000001	M SCR TH CRM M3x6	
207	000-P00416-W	M SCR PH W/FS M4x16	
208	045-C02520	COT PIN 2.5x20	
209	011-T03512	TAP SCR TH 3.5x12	

1
MAIN CABINET

59 ASSY DVD LID (HSP-3390)



ITEM NO.	PART NO.	DESCRIPTION	NOTE
1	HSP-3391	DVD LID	
2	HSP-3392	PACKIN	
3	DP-1167	TNG LKG	
101	220-5793-1-A001	CLY LOCK MASTER W/O KEY A001	
201	000-F00312	M SCR FH M3x12	



NOTES:
1. DIP switch settings should be as follows.

GAME BDI(3)	1	2	3	4	5	6	7	8
	OFF	OFF	OFF	OFF	ON	OFF	OFF	ON
CONTROL BDI(4)	1	2	3	4				
	OFF	OFF	OFF	OFF				

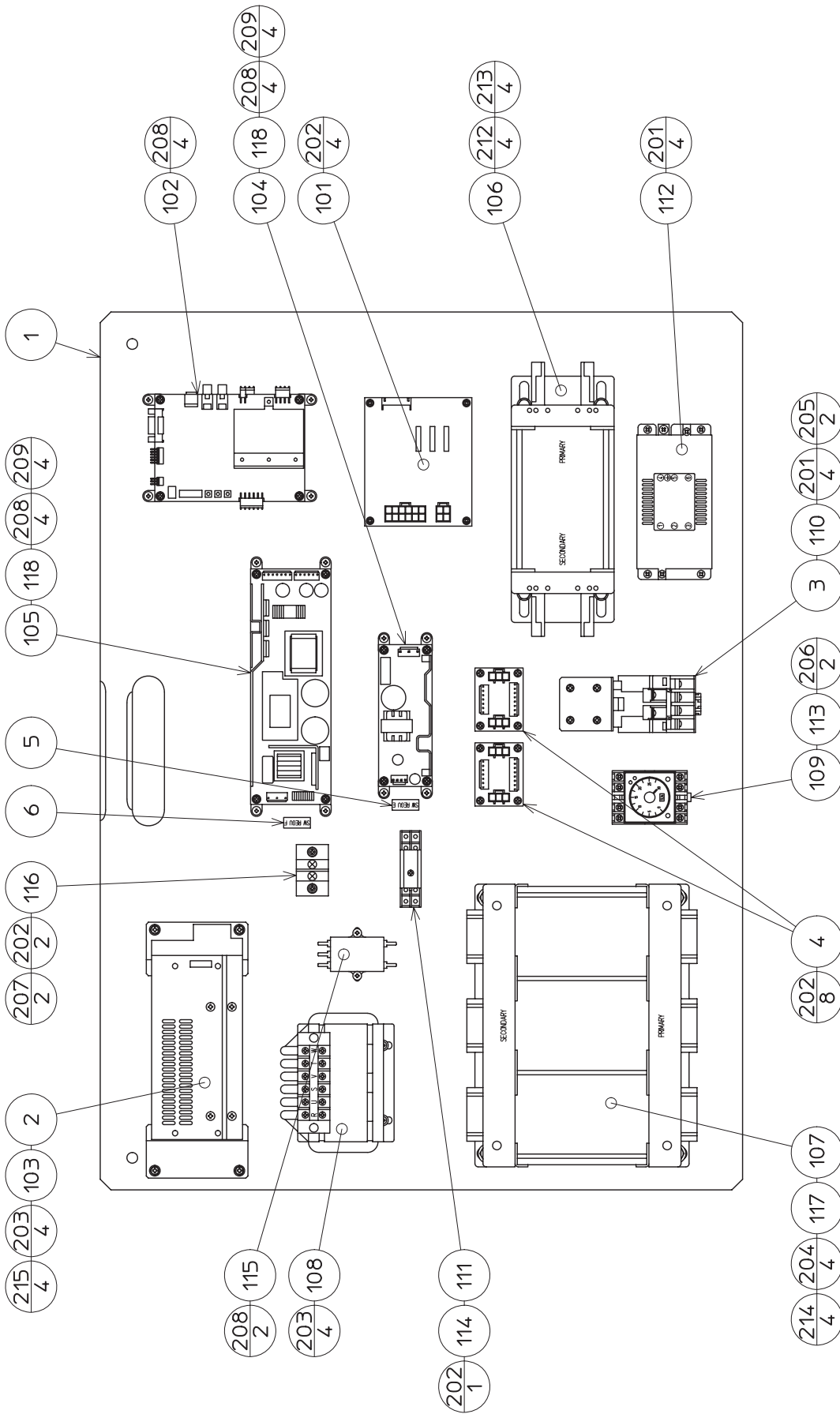
2. Set the SW REGU (104) switch to the ATX side.

60 ASSY MAIN BD (HSP-4000)**(D-2/2)**

ITEM NO.	PART NO.	DESCRIPTION	NOTE
1	HSP-4001X	WOODEN BASE MAIN	
2	HSP-4002	DVD COVER	
3	844-0005D-02	ASSY CASE LBG L 1GB HSP EXP	<Hong Kong, CE>
4	837-14605	CONTROL BD HSP	
5	837-14505	I/O CONTROL BD FOR JVS	
6	SHT-4904	ELEC BRKT	
7	421-11952-A	STICKER SW REGU A	
8	421-11952-B	STICKER SW REGU B	
9	421-11952-C	STICKER SW REGU C	
10	421-11952-D	STICKER SW REGU D	
11	837-14651	MCC05V2 X1 BD	
12	HSP-4004	CONNECTOR SUPPORT CUSHION	
102	838-14465R02	IC BD GUN SENCE NEW EDIT SP	
103	838-14589	GUN SENCE CHANGE BD	
104	400-5457-91	SW REGU ATX/JVS	
105	400-5421-03024	SW REGU LCA30S-24	
106	400-5421-05012	SW REGU LCA50S-12	
107	400-5421-01005	SW REGU LCA10S-5	
108	280-6681	L-LOCK LT-320PCG	
109	280-5277	CORD CLAMP 18	
110	280-0419	HARNESS LUG	
201	000-P00416-W	M SCR PH W/FS M4x16	
202	FAS-110021	TAP SCR PH #1 3x40	
203	011-T03512	TAP SCR TH 3.5x12	
204	011-P00320	TAP SCR PH 3x20	
205	000-P00308-W	M SCR PH W/FS M3x8	
206	011-T03516	TAP SCR TH 3.5x16	
207	011-F00312	TAP SCR #1 FH 3x12	
301	600-7360-0700	WH LBG PWR 24P P TO P 0700MM	
302	600-7361-0700	WH LBG PWR 18P P TO P 0700MM	
303	600-7141-050	CABLE JVS TYPE A-B 050CM	
304	600-7920-200	ASSY USB CA TYPE MINI AB 200CM	
305	HSP-61027	WH TERM 2P C	
306	HSP-65018X	WH EXT AC A	
307	HSP-65010	WH AUDIO OUT	
308	HSP-61030	WH DVD PW	
309	HSP-61031	WH GUN IN	
310	HSP-61032	WH GUN LED FR OUT	
311	HSP-61033	WH GUN LED OUT	
312	HSP-61034	WH JVS I/O	
313	HSP-61035	WH RS232C	
314	HSP-61036	WH TERM SRV CONTROL	
315	HSP-61037	WH SH4 I/O	
316	HSP-61038	WH TERM SPEAKER	
318	HSP-61040	WH REG4 OUT	
319	HSP-61041	WH REG3 OUT	
/	MKG-4207	BD BRKT	
/	117-5402-06-91	EARTH TERMINAL PLATE 6P	
/	000-P00408	M SCR PH M4 x 8	
/	060-S00400	SPR WSHR M4	
/	060-F00400	FLT WSHR M4	
/	600-7914-0150	WH EARTH UL 1015 AWG10 0150MM	
/	600-7914-0250	WH EARTH UL 1015 AWG10 0250MM	
/	600-7914-0300	WH EARTH UL 1015 AWG10 0300MM	
/	270-5117	FERRITE CORE TDK ZCAT3035-1330	
/	440-CS0298-EG	STICKER C BATTERY EXCHANGE ENG	

61 ASSY PWR SPLY (HSP-4100)

(D-1/3)



- NOTES:
1. Set the timer relay (109) to "MODE A, 3 seconds (RANGE 10S, DIAL 0.3)".
 2. Sound amp (102) DIP switch settings should be as follows:

1	2	3	4	5	6	7	8
ON	OFF	ON	OFF	OFF	OFF	OFF	OFF
 3. The ferrite core (117) should be turned 2 times around the secondary side harness of the triple phase transformer (107) and secured with the tie belt.

61 ASSY PWR SPLY (HSP-4100)

(D-2/3)

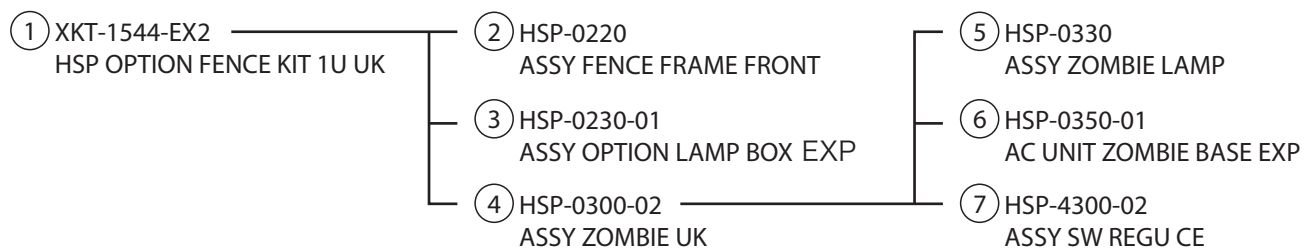
MAIN CABINET

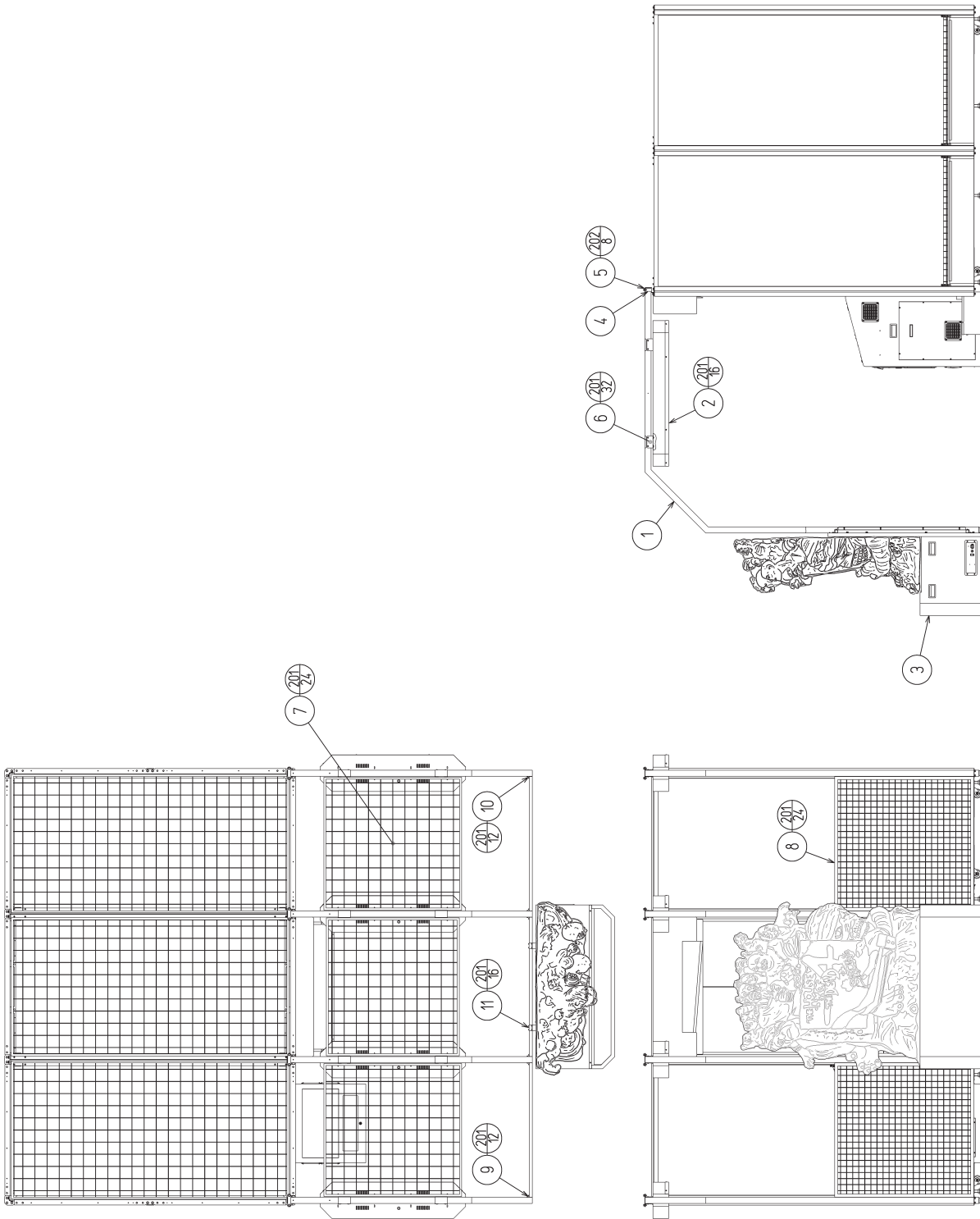
ITEM NO.	PART NO.	DESCRIPTION	NOTE
1	HSP-4101X	WOODEN BASE SUB	
2	HSP-4102	SERVO AMP BRKT	
3	HSP-4103	CONTACTER BRKT	
4	839-1160R91	TERMINAL BD	
5	421-11952-E	STICKER SW REGU E	
6	421-11952-F	STICKER SW REGU F	
101	838-14511R12	SSR BD NZC1 ZC2	
102	838-14515-A0491	SOUND AMP ANALOG IN W/EXP BD	
103	835-14594-01	MOTOR DRIVER MEDDT7364 HSP	
104	400-5421-03024	SW REGU LCA30S-24	
105	400-5421-15024	SW REGU LCA150S-24	
106	560-5539-V-91	XFMR 200-230V 100V 20A WB	
107	560-5528	XFMR 380-480V 200V 3.4KVA/3	
108	560-5529	REACTOR 200V/3 11A 1.39MH	
109	450-5211	TIMER RELAY MS4SA-AP	
110	450-5198	CONTACTER SC-4-0 AC240V 1A	<Hong Kong, CE>
111	450-5193	RELAY G2R-2SD DC24V(OMRON)	
112	270-5160	NOISE FILTER DV0P4220	
113	214-0276	RELAY SOCKET TP48X	
114	214-0268	RELAY SOCKET P2RF-08(OMRON)	
115	270-5020	NOISE FILTER AC250V 6A	
116	117-5442	TERMINAL BLOCK ML-20 2P	
117	270-5117	FERRITE CORE TDK ZCAT3035-1330	
118	280-6681	L-LOCK LT-320PCG	
119	280-5277	CORD CLAMP 18	
120	280-0419	HARNESS LUG	
201	011-P00412	TAP SCR PH 4x12	
202	011-P00320	TAP SCR PH 3x20	
203	000-P00416-W	M SCR PH W/FS M4x16	
204	FAS-300046	HEX BLT CROSS W/FS BLK M8x18	
205	FAS-000134	M SCR PH W/SMALL FS BLK M4x12	
206	011-T00325	TAP SCR TH 3x25	
207	060-F00300	FLT WSHR M3	
208	011-T03516	TAP SCR TH 3.5x16	
209	000-P00308-W	M SCR PH W/FS M3x8	
210	011-F00312	TAP SCR #1 FH 3x12	
211	011-T03512	TAP SCR TH 3.5x12	
212	FAS-300044	HEX BLT CROSS W/FS BLK M6x18	
213	068-652016	FLT WSHR 6.5-20 x1.6	
214	068-852216	FLT WSHR 8.5-22 x1.6	
215	000-P00408-W	M SCR PH W/FS M4x8	

61 ASSY PWR SPLY (HSP-4100)**(D-3/3)**

ITEM NO.	PART NO.	DESCRIPTION	NOTE
301	HSP-61042X	WH TERM 2P A	
302	HSP-61043	WH 2P TM BD	
303	HSP-65015	WH AC DIVERGENCE	
304	HSP-61045X	WH 2P TR OUT	
305	HSP-61046X	WH 3P CT IN	
306	HSP-61047X	WH 3P NF IN	
307	HSP-61048X	WH 3P RT IN	
308	HSP-61049X	WH 3P SV AMP IN	
309	HSP-61050	WH TERM 2P B	
310	HSP-61051	WH 3P TR IN	
311	HSP-61052	WH AUDIO IN	
313	HSP-65008	WH REGENERATIVE RES A	
314	HSP-61055X	WH SRV CONTROL	
315	HSP-61056	WH SPEAKER OUT	
316	HSP-61057	WH REG2 OUT	
317	HSP-61058X	WH REG1 OUT	
318	HSP-61059X	WH TERM BRK	
319	HSP-61060	WH TERM TOWER A	
320	HSP-61061	WH TERM TOWER B	
321	HSP-61062X	WH TIMER OUT	
322	HSP-65002	WH EARTH SERVO DRIVER	
323	600-6972-0400	WIRE HARN EARTH ID5 0400MM	
324	HSP-61063X	WH 2P SV AMP IN	
325	HSP-65006X	WH SERVO MOTOR	
326	HSP-65007X	WH ENCODER	
/	MKG-4207	BD BRKT	
/	117-5402-06-91	EARTH TERMINAL PLATE 6P	
/	000-P00408	M SCR PH M4 x 8	
/	060-S00400	SPR WSHR M4	
/	060-F00400	FLT WSHR M4	
/	600-7914-0150	WH EARTH UL 1015 AWG10 0150MM	
/	600-7914-0300	WH EARTH UL 1015 AWG10 0300MM	
/	600-7914-0400	WH EARTH UL 1015 AWG10 0400MM	
/	270-5117	FERRITE CORE TDK ZCAT3035-1330	

2 OPTIONAL PARTS



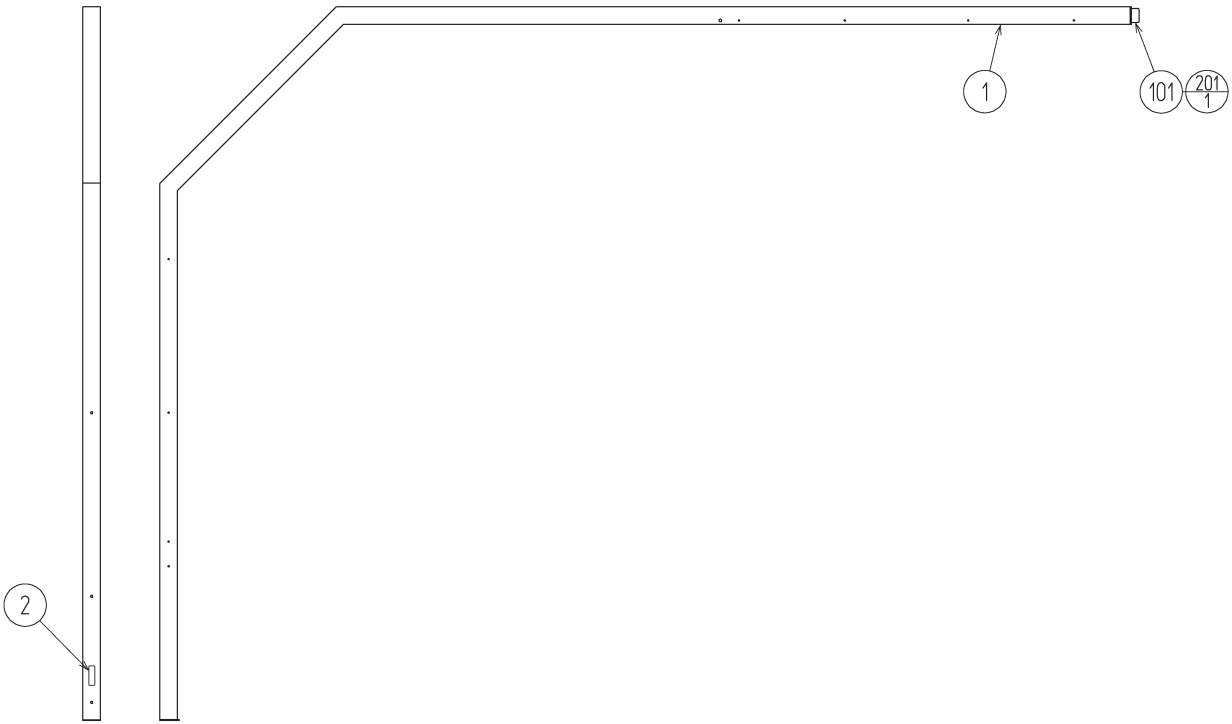


① HSP OPTION FENCE KIT 1U UK (XKT-1544-EX2) <CE>

(D-2/2)

ITEM NO.	PART NO.	DESCRIPTION	NOTE
1	HSP-0220	ASSY FENCE FRAME FRONT	
2	HSP-0230-01	ASSY OPTION LAMP BOX EXP	<CE>
3	HSP-0300-02	ASSY ZOMBIE UK	<CE>
4	HSP-0202	FRAME HOLDER	
5	HSP-0203	FRAME HOLDER PLATE	
6	HSP-0204	LAMP BOX BRKT	
7	HSP-0205	OPTION FENCE TOP	
8	HSP-0206	OPTION FENCE FRONT	
9	HSP-0207	FENCE BRKT L	
10	HSP-0208	FENCE BRKT R	
11	HSP-0209	ZOMBIE BASE BRKT	
101	280-5169	CORD CLAMP TL-20S	
201	000-P00408-WB	M SCR PH W/FS BLK M4x8	
202	FAS-300046	HEX BLT CROSS W/FS BLK M8x18	
203	000-P00408	M SCR PH M4x8	
204	060-S00400	SPR WSHR M4	
205	060-F00400	FLT WSHR M4	
301	HSP-63001X	WH TERM OP LAMP4	
302	600-6972-1200	WIRE HARN EARTH ID5 1200MM	
401	390-6732-40W	HALOGEN LAMP JDR110V40WLW/K	
402	514-5143-2000	FUSE S.B2000MA250V HBC CE ROHS	

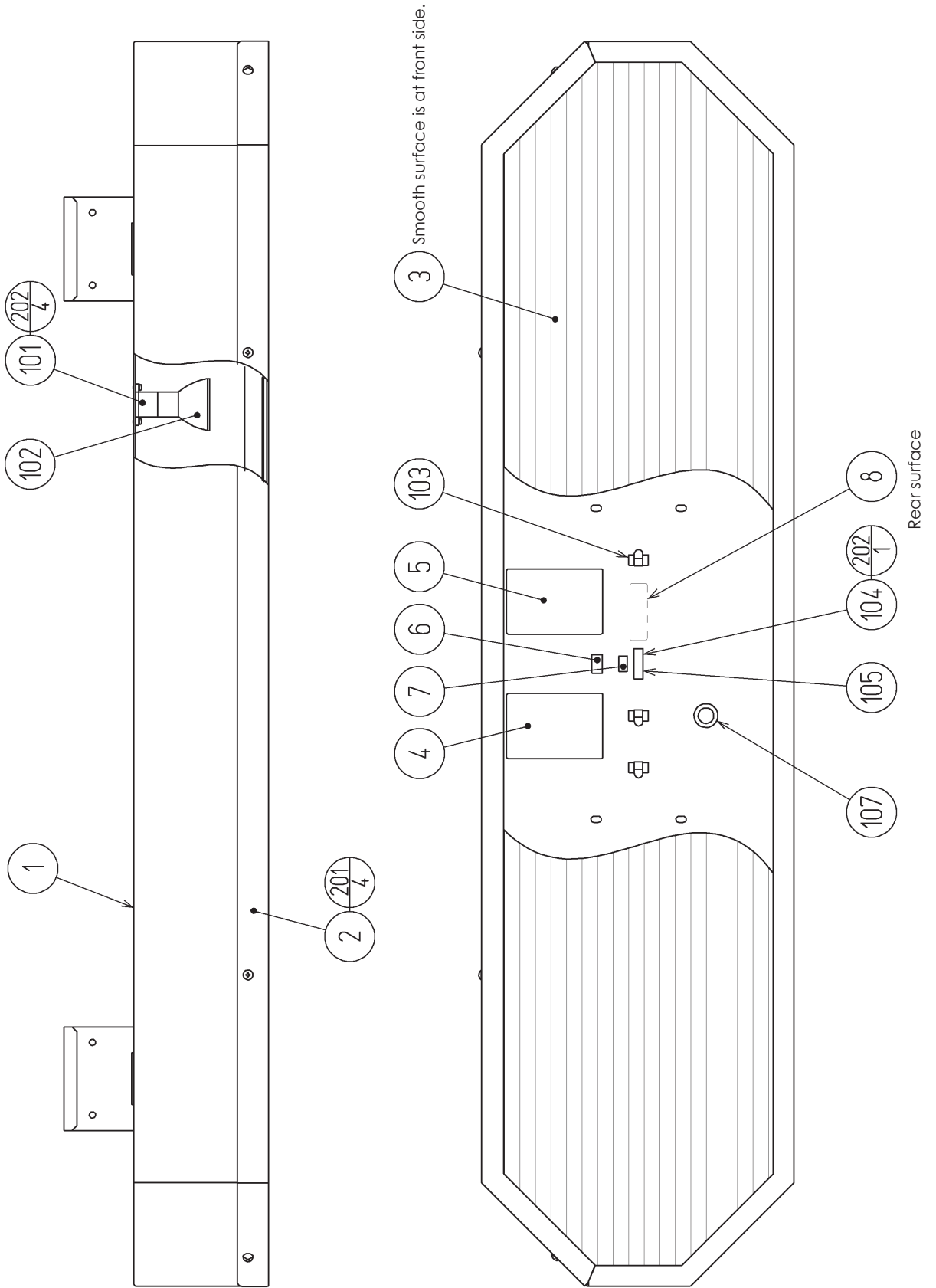
② ASSY FENCE FRAME FRONT (HSP-0220)



ITEM NO.	PART NO.	DESCRIPTION	NOTE
1	HSP-0221X	FENCE FRAME FRONT	
2	421-9107-92-011	STICKER UNIT WEIGHT 11KG	
101	601-11727	RUBBER FOOT TOCHIGIYA K16W	
201	000-P00525-S	M SCR PH W/S M5x25	

3 ASSY OPTION LAMP BOX EXP (HSP-0230-01)

(D-1/2)

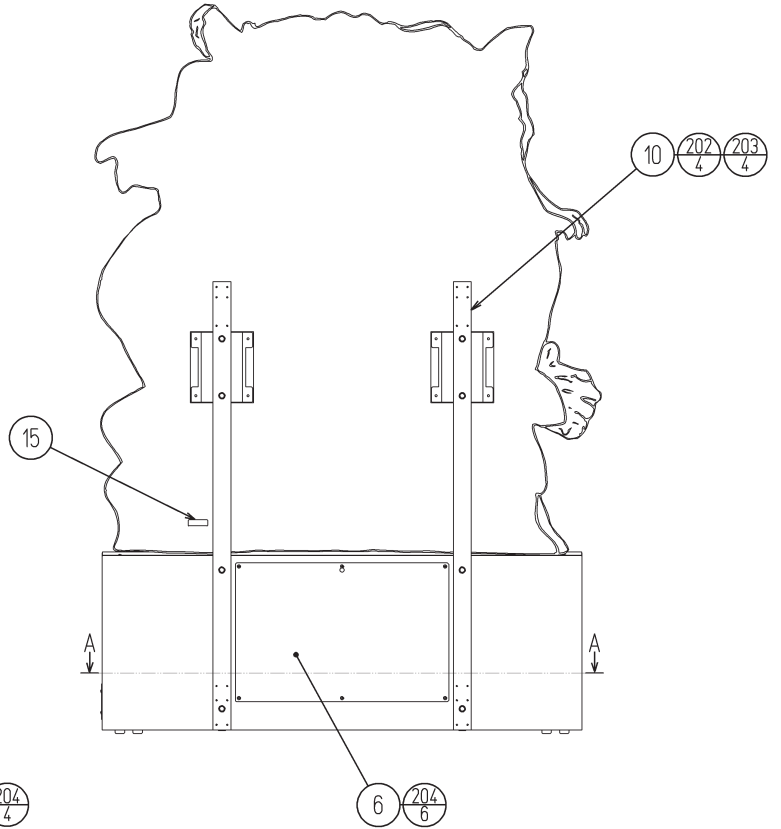
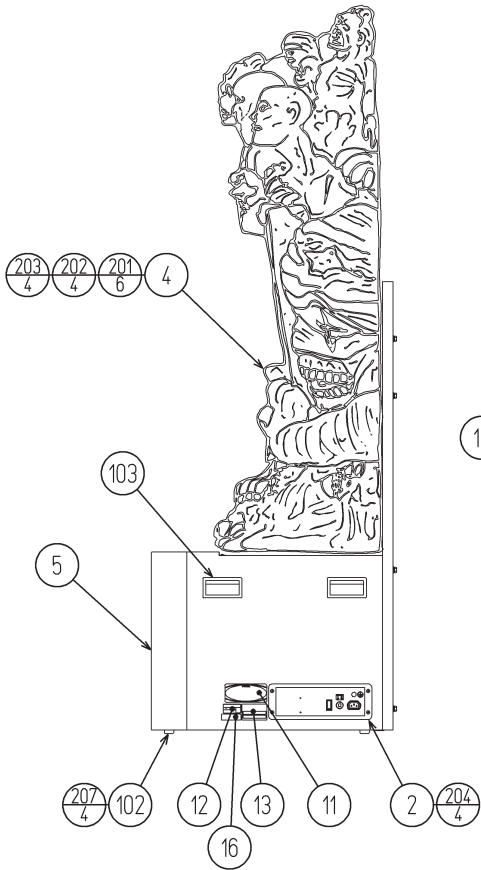
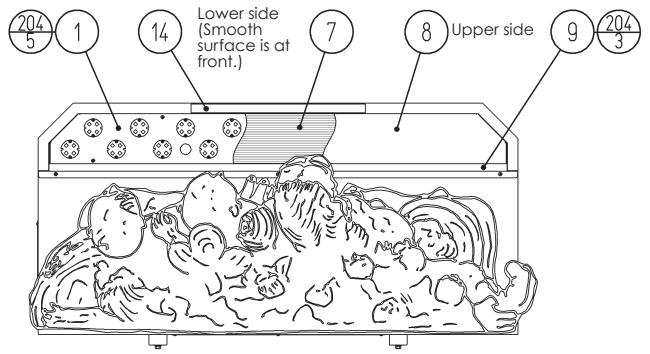
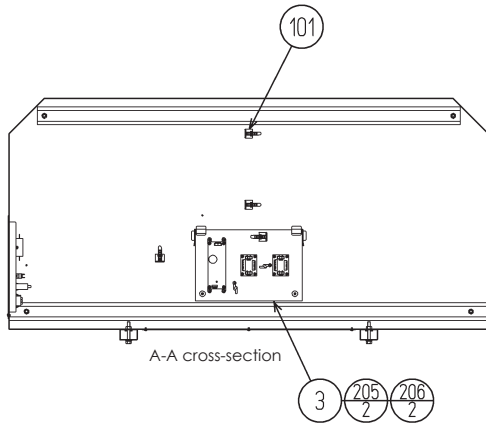


3 ASSY OPTION LAMP BOX EXP (HSP-0230-01)**(D-2/2)**

ITEM NO.	PART NO.	DESCRIPTION	NOTE
1	HSP-0231	OPTION LAMP BOX	
2	HSP-0232	LAMP BOX SASH	
3	HSP-0233	LAMP BOX PLATE	
4	440-WS0002XJP	STICKER W POWER OFF	
5	440-WS0012XJP	STICKER W HIGH TEMP	
6	421-7501-34	STICKER 110V 40W	
7	421-6595-02	STICKER 2A	
8	421-9107-92-013	STICKER UNIT WEIGHT 13KG	
101	214-0278	HLGN SOCKET E11 W/CONN VL ROHS	
102	390-6732-40W	HALOGEN LAMP JDR110V40WLW/K	
103	280-5277	CORD CLAMP 18	
104	514-5084	FUSE HOLDER F-60B W/F-60	
105	514-5143-2000	FUSE S.B2000MA250V HBC CE ROHS	
106	310-5029-D20	SUMITUBE F D 20MM	
107	280-6694	GROM TAKIGEN C-30-NG-79-L-UL	
201	000-T00408-0B	M SCR TH BLK M4x8	
202	000-P00308-SB	M SCR PH W/S BLK M3x8	
301	HSP-63006	WH LAMP BOX	

4 ASSY ZOMBIE UK (HSP-0300-02)

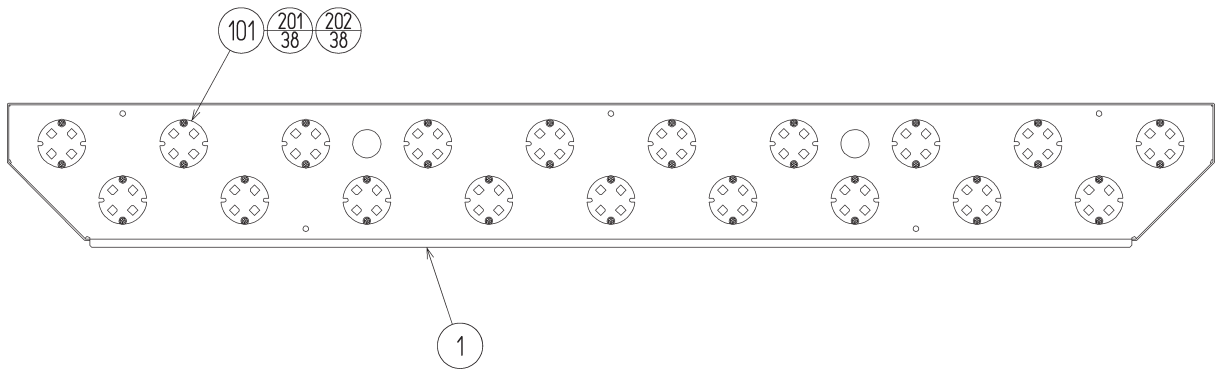
(D-1/2)



4 ASSY ZOMBIE UK (HSP-0300-02)**(D-2/2)**

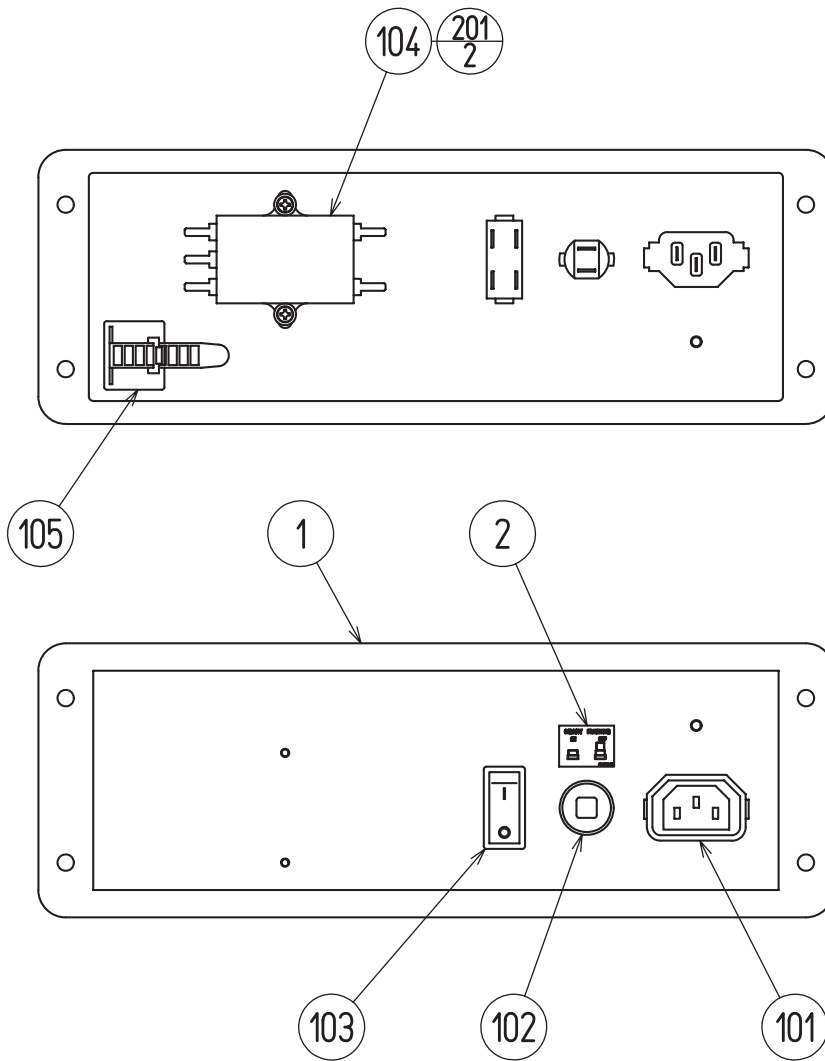
ITEM NO.	PART NO.	DESCRIPTION	NOTE
1	HSP-0330	ASSY ZOMBIE LAMP	
2	HSP-0350-01	AC UNIT ZOMBIE BASE EXP	
3	HSP-4300-02	ASSY SW REGU CE	
4	HSP-0301	ZOMBIE	
5	HSP-0302	ZOMBIE BASE	
6	HSP-0303	ZOMBIE BASE LID	
7	HSP-0304	ZOMBIE LAMP PLATE LOWER	
8	HSP-0305	ZOMBIE LAMP PLATE UPPER	
9	HSP-0306	ZOMBIE BASE SASH	
10	HSP-0307	ZOMBIE PILLAR	
14	HSP-0310	STICKER DO NOT TOUCH CE	
101	280-5277	CORD CLAMP 18	
102	601-11705	PLA FOOT TOCHIGIYA TM-125-5	
103	601-11706	HANDLE SUGATSUNE 213-0702.3	
201	FAS-300046	HEX BLT CROSS W/FS BLK M8x18	
202	FAS-300047	HEX BLT CROSS W/FS BLK M8x55	
203	068-852216-0B	FLT WSHR BLK 8.5-22x1.6	
204	000-T00408-0B	M SCR TH BLK M4x8	
205	000-P00420-S	M SCR PH W/S M4x20	
206	068-441616	FLT WSHR 4.4-16x1.6	
207	050-H00800	HEX NUT M8	
208	000-P00408	M SCR PH M4x8	
209	060-S00400	SPR WSHR M4	
210	060-F00400	FLT WSHR M4	
301	HSP-64009	WH DC UNIT OUT	
401	600-6618-01	AC CABLE CONNECT TYPE FOR EXP	

5 ASSY ZOMBIE LAMP (HSP-0330)



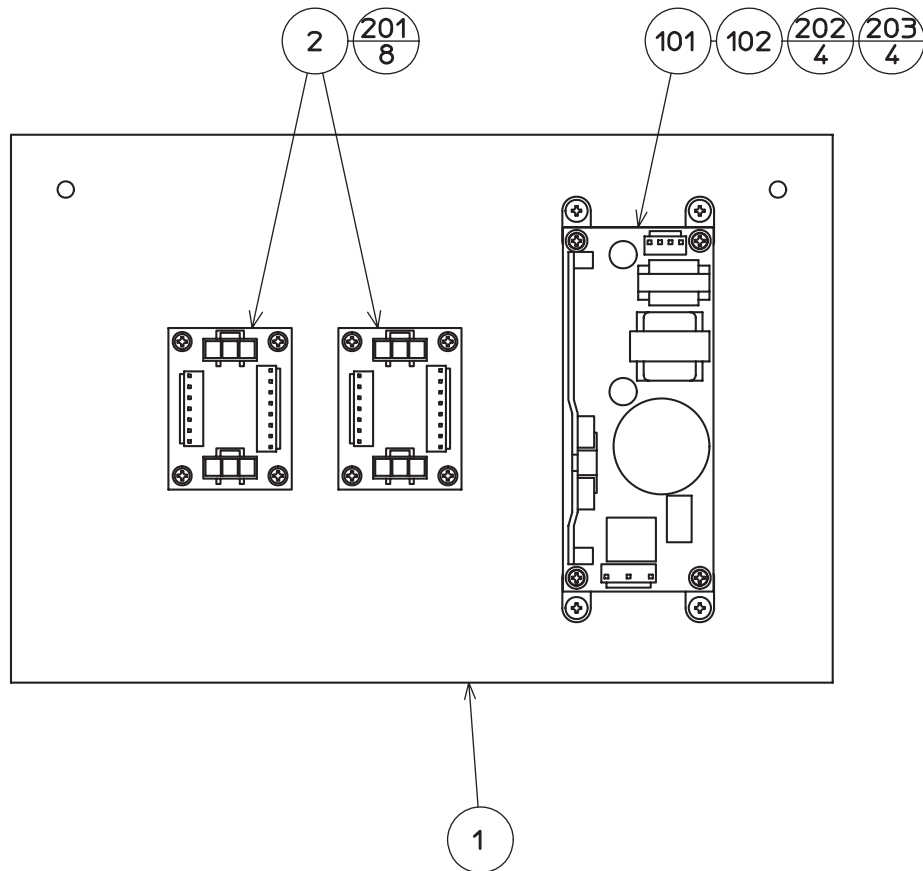
ITEM NO.	PART NO.	DESCRIPTION	NOTE
1	HSP-0331	LED BASE	
101	838-14590	LED BD RED 4EA	
102	280-5277	CORD CLAMP 18	
103	280-5275-SR10	CORD CLAMP SR10	
201	000-P00308-W	M SCR PH W/FS M3x8	
202	069-000034-PN	FLT WSHR PLASTIC BLK 3-8x1	
301	HSP-64012	WH ZOMBIE LED	

6 AC UNIT ZOMBIE BASE EXP (HSP-0350-01)



ITEM NO.	PART NO.	DESCRIPTION	NOTE
1	HSP-0351	AC BRKT	
2	421-7468-01	STICKER C.P W/PIC	
101	214-0202	AC INLET PANEL TYPE	
102	512-5046-3000	C.P 3000MA CE UL	
103	509-6102-V-B	SW ROCKER J8 V-B AJ8202BF	
104	270-5020	NOISE FILTER AC250V 6A	
105	280-5277	CORD CLAMP 18	
201	000-P00312-WB	M SCR PH W/FS BLK M3x12	
202	000-P00408	M SCR PH M4x8	
203	060-S00400	SPR WSHR M4	
204	060-F00400	FLT WSHR M4	
301	HSP-64001X	WH AC UNIT AC IN L	
302	HSP-64002X	WH AC UNIT MAIN SW	
304	HSP-64004	WH AC UNIT EARTH A	
307	HSP-64007X	WH AC UNIT OUT	
308	HSP-64013	WH AC UNIT EARTH B	

7 ASSY SW REGU CE (HSP-4300-02)



ITEM NO.	PART NO.	DESCRIPTION	NOTE
1	HSP-4301	WOODEN BASE SW REGU	
2	839-1160R91	TERMINAL BD	
101	400-5374	SW REGU 12V 2.5A (LDA30F-12)	
102	280-6681	L-LOCK LT-320PCG	
103	280-5277	CORD CLAMP 18	
104	280-0419	HARNESS LUG	
201	011-P00325	TAP SCR PH 3x25	
202	000-P00308-W	M SCR PH W/FS M3x8	
203	011-T03516	TAP SCR TH 3.5x16	
204	011-F00312	TAP SCR #1 FH 3x12	
205	011-T03512	TAP SCR TH 3.5x12	
301	HSP-64008	WH DC UNIT IN	
302	HSP-64010	WH DC UNIT REG OUT	
303	HSP-64011	WH DC UNIT TM BD	