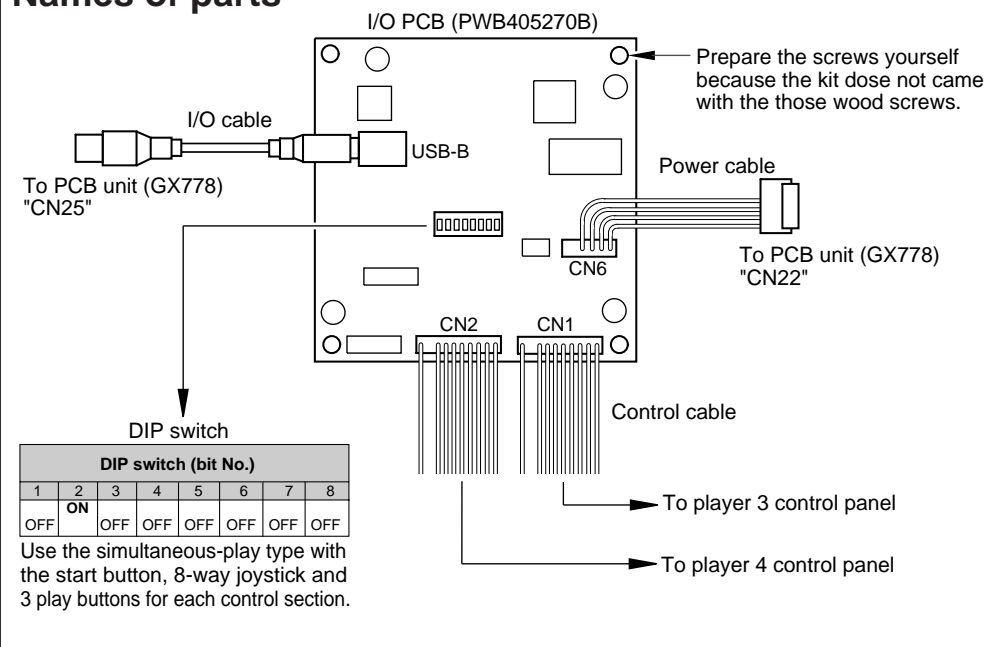


Names of parts

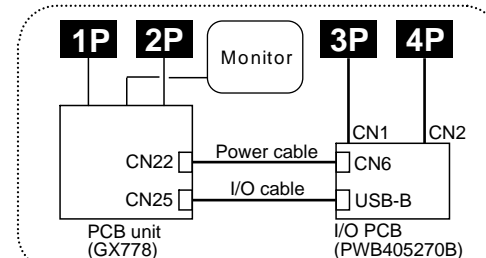


Be sure to read the following

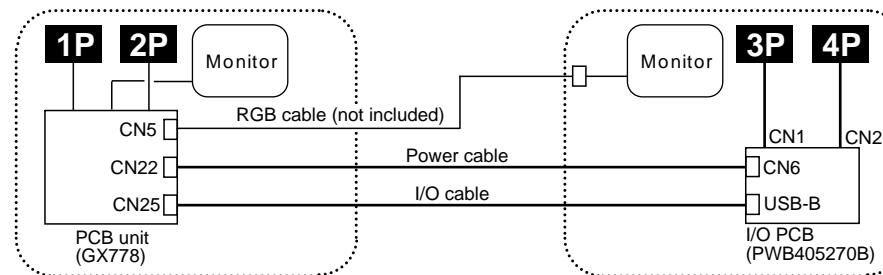
- Failure to handle this product correctly may result in malfunction or accidents. Before setting it up, be sure to carefully read the this manual. For setting up this product, ask a qualified industry specialist or contact your nearest dealer. (You will be charged.)
- Be sure to turn OFF the machine's power switch before mounting and dismantling this product.
- Before installing this product, clean up the inside of the machine using a vacuum cleaner or the like.
- Before setting the DIP switches of this product as well as those of the machine, be sure to turn OFF the machine's power switch. Wear a grounding band or the like to prevent static electricity.

Setting the kit in the machine

For an one monitor



For a two monitors

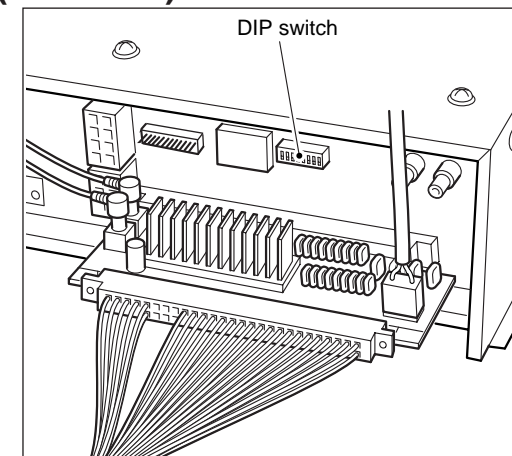


The DIP switch settings (PCB unit)

Make DIP switch settings as below.
(The DIP switches are located on the PCB unit.)

DIP switches (bit No.)							
1	2	3	4	5	6	7	8
					ON	ON	

- For more details regarding DIP switch settings, please refer to operator's manual "NBA PLAY BY PLAY (PN.0000055795)" on page 13.



Wiring diagram (4Player Expansion kit)

GU778-UA

