

Schematic Package Supplement to

Kangaroo™

Operation, Maintenance and Service Manual

NOTE

This staple temporarily holds the schematic package together. Remove the staple before using the schematics.



Table of Contents

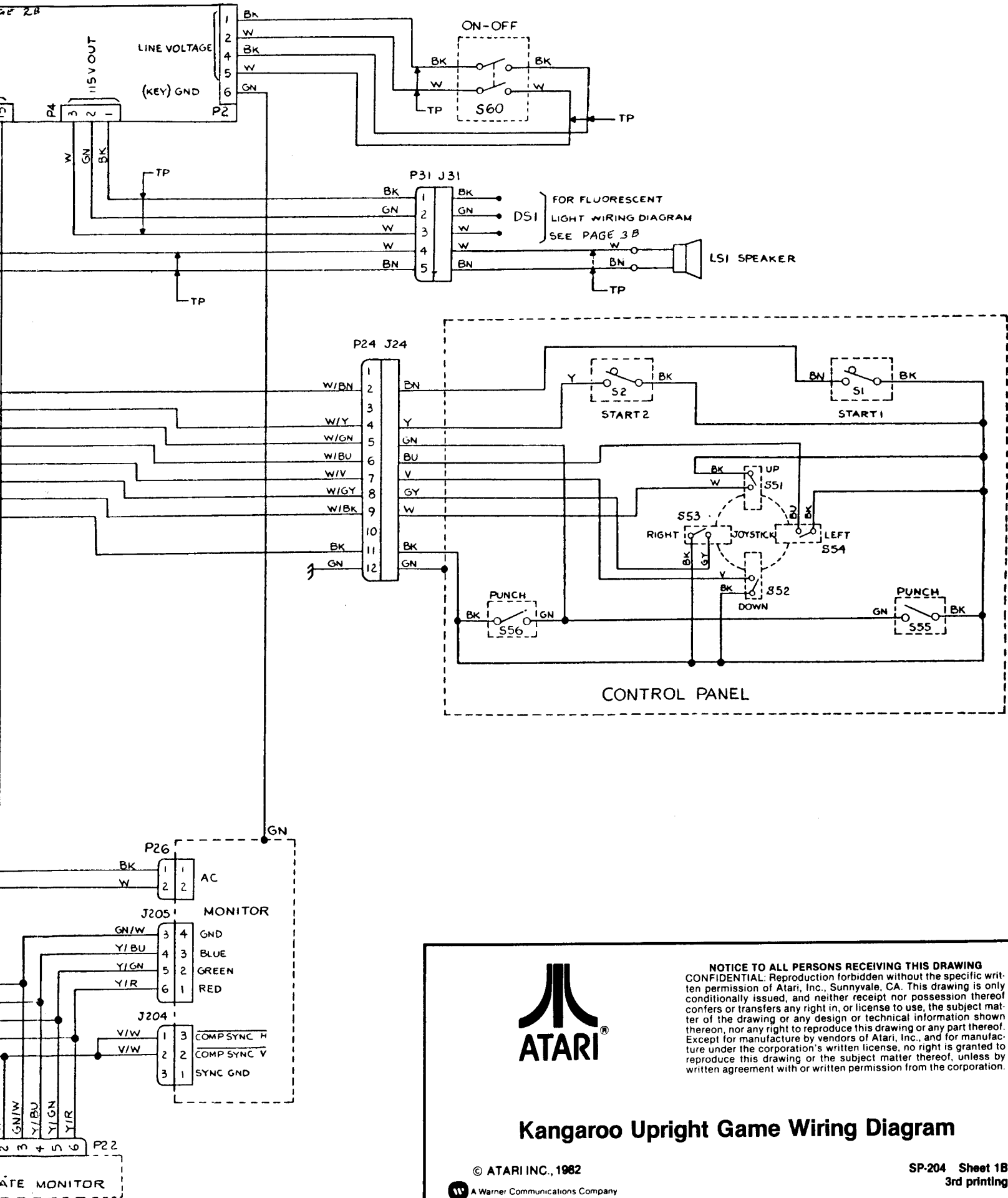
- Sheet 1A You Are Here
- Sheet 1B Upright Kangaroo Game Wiring Diagram (038577-01 A)
- Sheet 2A Ireland-Built Kangaroo Game Wiring Diagram (038451-01 A)
- Sheet 2B Color Raster-Scan Power Supply Wiring Diagram (037669-01 C)
- Sheet 3A Regulator/Audio II PCB Schematic Diagram (035435-06 B)
- Sheet 3B Coin Door Wiring Diagram (037542-01 B), Utility Panel Wiring Diagram (038004-01 B),
Fluorescent Light and Speaker Wiring Diagram (035833-01 A)

Central Processing Unit (CPU) PCB Schematics (038469-01 A), Sheets 4A-7A

- Sheet 4A Block Diagram
- Sheet 4B Memory Map, CPU Power Input
- Sheet 5A Game Microprocessor, Address Decoder
- Sheet 5B Program ROM, RAM
- Sheet 6A Inputs, Outputs
- Sheet 6B Sound Microprocessor, Address Decoder
- Sheet 7A Custom Microcomputer

Video PCB Schematics (038468-01 A), Sheets 7B-11B

- Sheet 7B Block Diagram
- Sheet 8A Dynamic RAM Timing Diagram, Video Power Input
- Sheet 8B Clock, Sync Chain and Timing Signals, Dynamic RAM Control, Address Decoding
- Sheet 9A DMA Control, Dynamic RAM Video Address and Flip
- Sheet 9B Picture ROM Address Selector, Picture ROM
- Sheet 10A Dynamic RAM Address from CPU and for DMA
- Sheet 10B Dynamic RAM Data Selector, Address Selector, and Control Latches
- Sheet 11A Playfield (Dynamic RAM A)
- Sheet 11B Motion Object (Dynamic RAM B), Video Output
- Sheet 12A Electrohome 19-Inch Color Raster-Scan Video Display Schematic Diagram



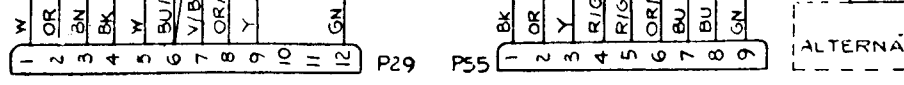
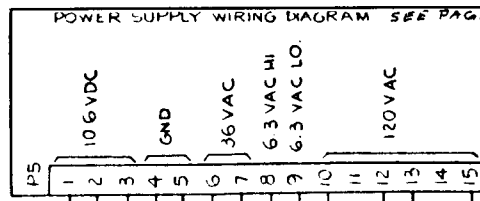
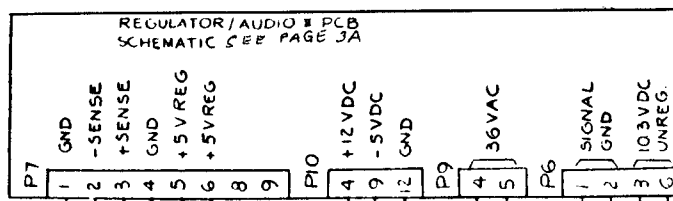
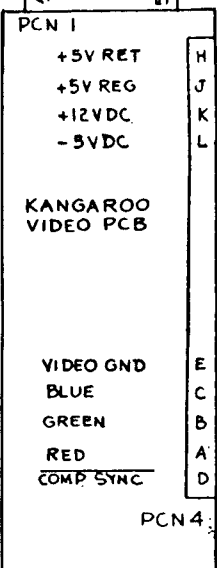
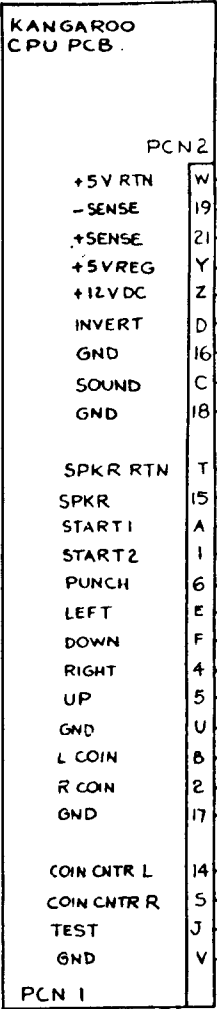
NOTICE TO ALL PERSONS RECEIVING THIS DRAWING
 CONFIDENTIAL: Reproduction forbidden without the specific written permission of Atari, Inc., Sunnyvale, CA. This drawing is only conditionally issued, and neither receipt nor possession thereof confers or transfers any right in, or license to use, the subject matter of the drawing or any design or technical information shown thereon, nor any right to reproduce this drawing or any part thereof. Except for manufacture by vendors of Atari, Inc., and for manufacture under the corporation's written license, no right is granted to reproduce this drawing or the subject matter thereof, unless by written agreement with or written permission from the corporation.

Kangaroo Upright Game Wiring Diagram

© ATARI INC., 1982

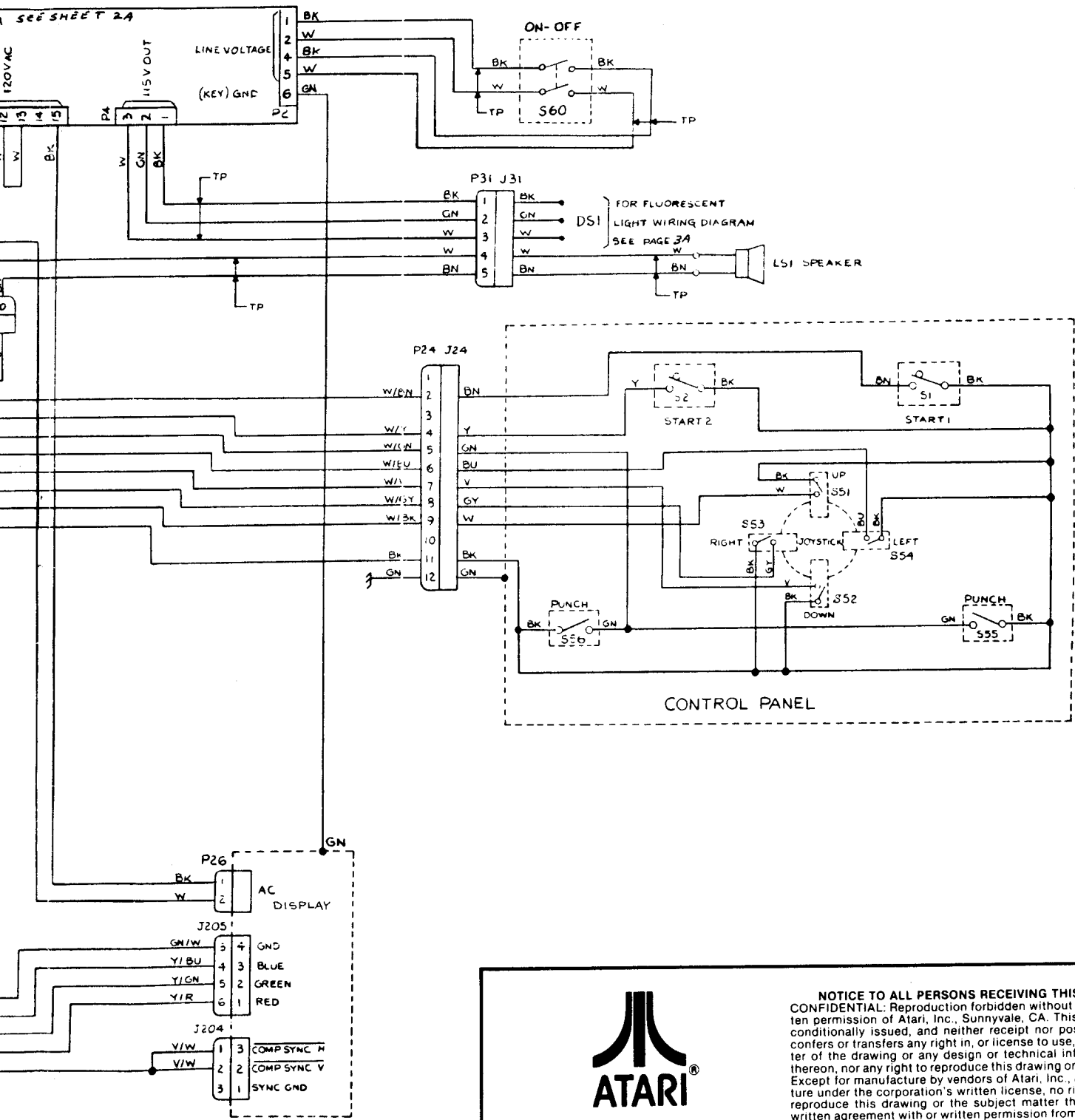
A Warner Communications Company

SP-204 Sheet 1B
 3rd printing



FOR COMPONENT WIRING DIAGRAM SEE PAGE 3B

FOR COIN DOOR WIRING DIAGRAM SEE PAGE 3B



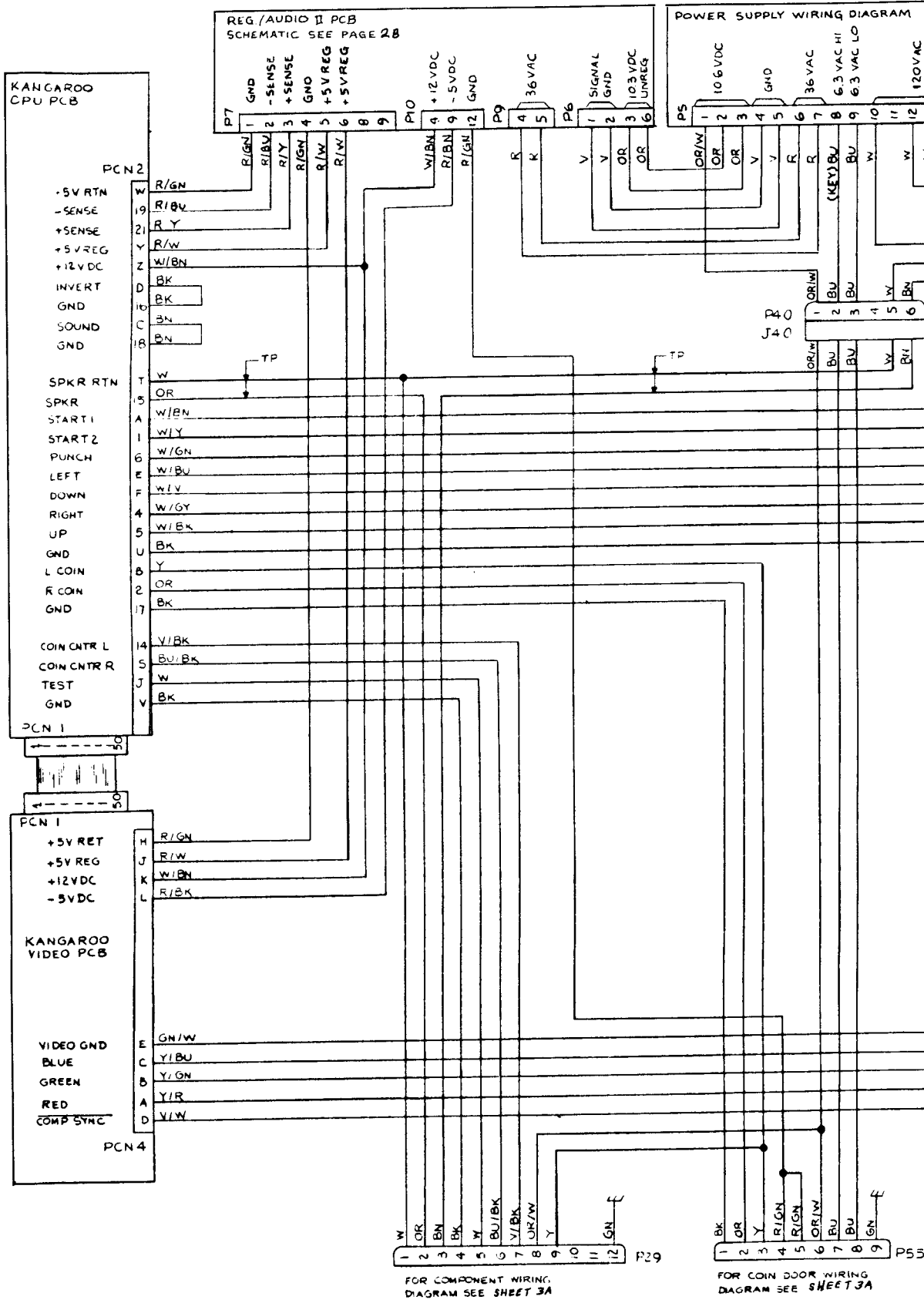
NOTICE TO ALL PERSONS RECEIVING THIS DRAWING
 CONFIDENTIAL: Reproduction forbidden without the specific written permission of Atari, Inc., Sunnyvale, CA. This drawing is only conditionally issued, and neither receipt nor possession thereof confers or transfers any right in, or license to use, the subject matter of the drawing or any design or technical information shown thereon, nor any right to reproduce this drawing or any part thereof. Except for manufacture by vendors of Atari, Inc., and for manufacture under the corporation's written license, no right is granted to reproduce this drawing or the subject matter thereof, unless by written agreement with or written permission from the corporation.

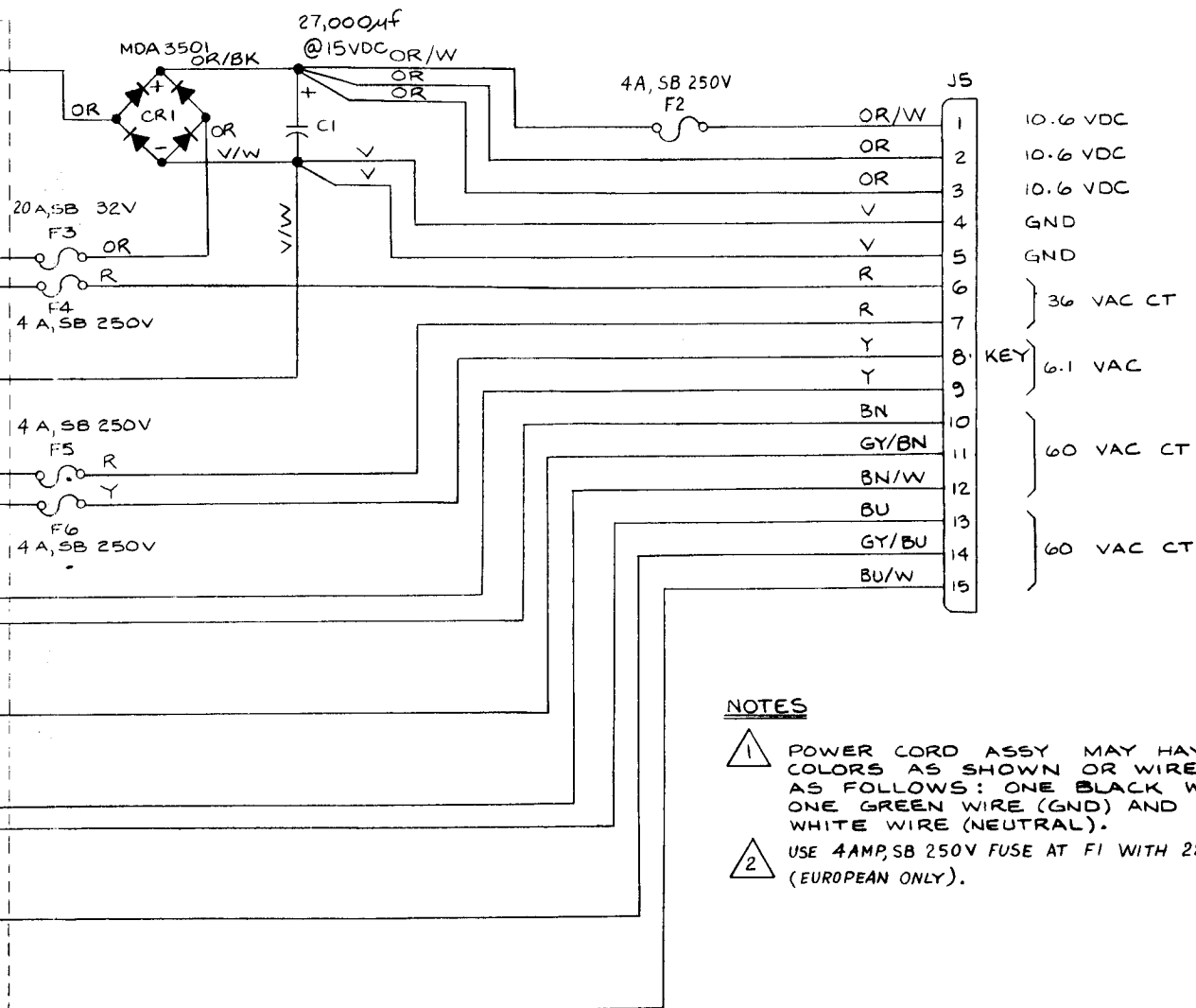
Ireland-Built Kangaroo Game Wiring Diagram

© ATARI INC., 1982

A Warner Communications Company

SP-204 Sheet 2A
 3rd printing





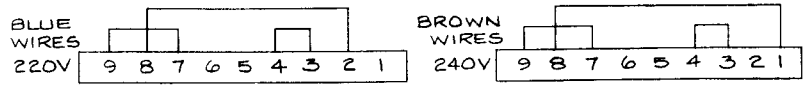
NOTES

- ⚠ 1 POWER CORD ASSY MAY HAVE WIRE COLORS AS SHOWN OR WIRE COLORS AS FOLLOWS: ONE BLACK WIRE (AC), ONE GREEN WIRE (GND) AND ONE WHITE WIRE (NEUTRAL).
- ⚠ 2 USE 4AMP, SB 250V FUSE AT F1 WITH 220V & 240V (EUROPEAN ONLY).

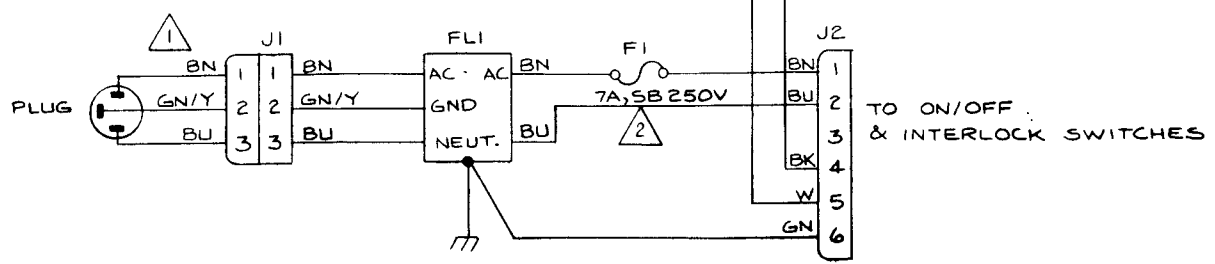
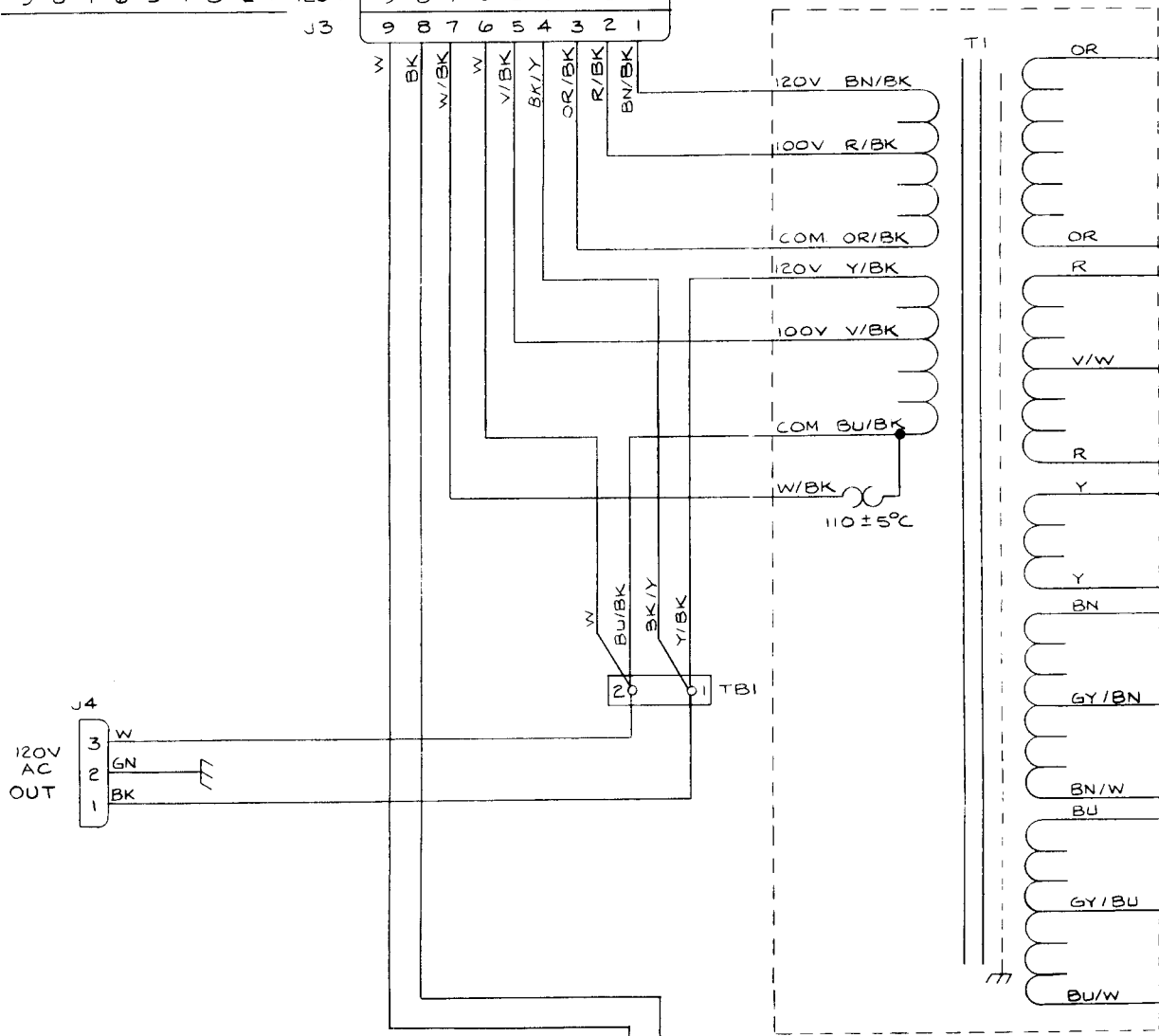
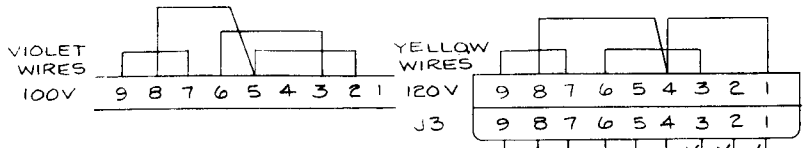


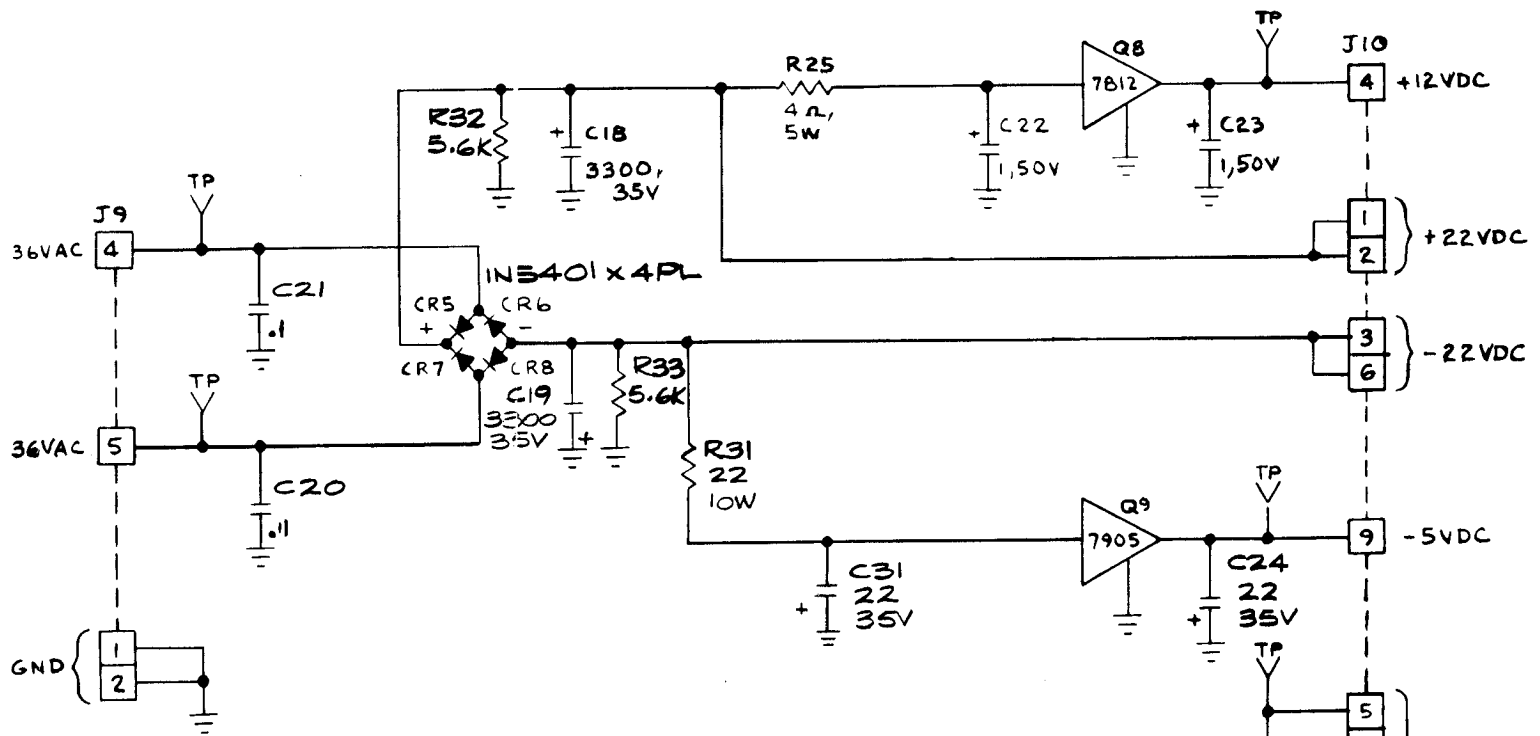
NOTICE TO ALL PERSONS RECEIVING THIS DRAWING
 CONFIDENTIAL: Reproduction forbidden without the specific written permission of Atari, Inc., Sunnyvale, CA. This drawing is only conditionally issued, and neither receipt nor possession thereof confers or transfers any right in, or license to use, the subject matter of the drawing or any design or technical information shown thereon, nor any right to reproduce this drawing or any part thereof. Except for manufacture by vendors of Atari, Inc., and for manufacture under the corporation's written license, no right is granted to reproduce this drawing or the subject matter thereof, unless by written agreement with or written permission from the corporation.

Kangaroo Power Supply

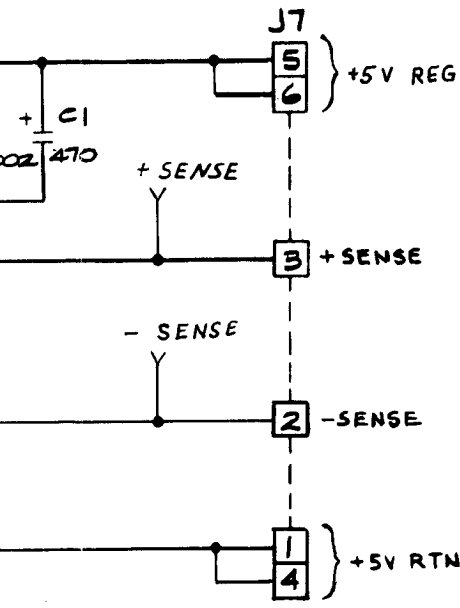


VOLTAGE SELECTION BLOCKS



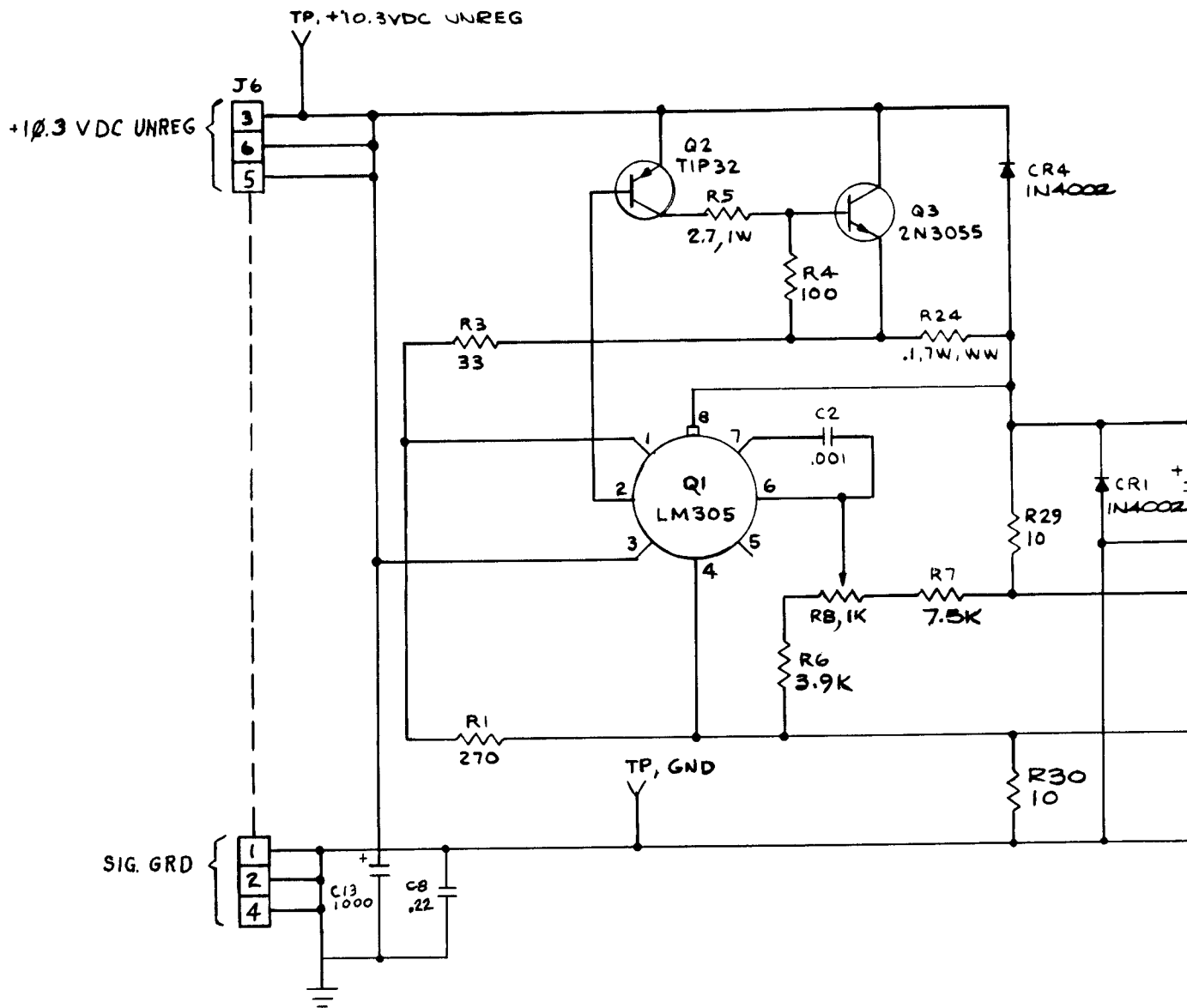


LAST DES	NOT USED
C31	C3-7, 9-12, 14-17, 25-30
CR8	CR2, 3
Q11	Q10, 11, 4, 6
R33	R2, 9-23, 26-28

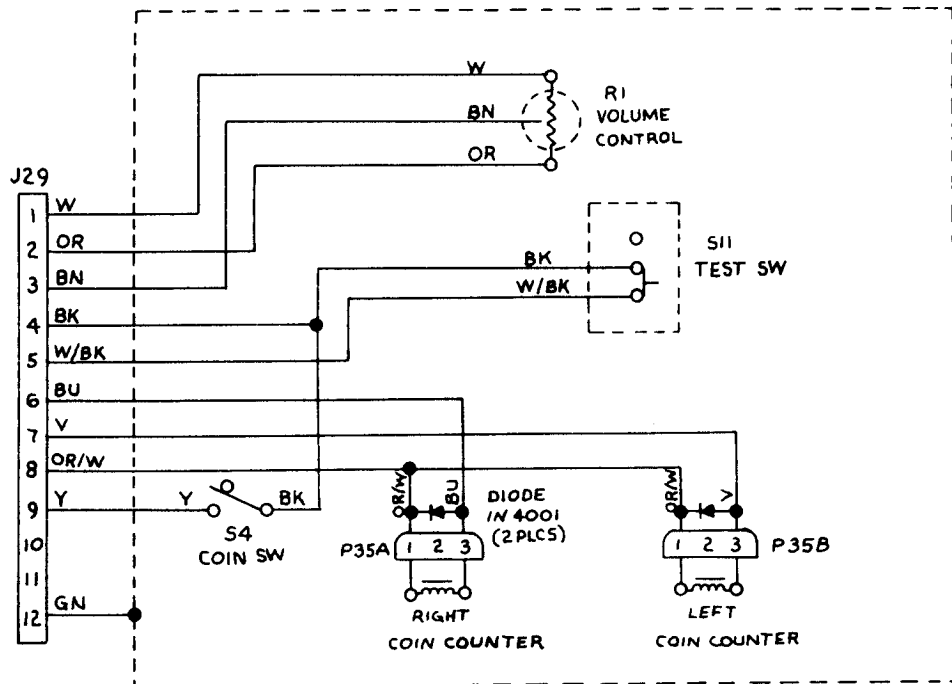


NOTICE TO ALL PERSONS RECEIVING THIS DRAWING
 CONFIDENTIAL: Reproduction forbidden without the specific written permission of Atari, Inc., Sunnyvale, CA. This drawing is only conditionally issued, and neither receipt nor possession thereof confers or transfers any right in, or license to use, the subject matter of the drawing or any design or technical information shown thereon, nor any right to reproduce this drawing or any part thereof. Except for manufacture by vendors of Atari, Inc., and for manufacture under the corporation's written license, no right is granted to reproduce this drawing or the subject matter thereof, unless by written agreement with or written permission from the corporation.

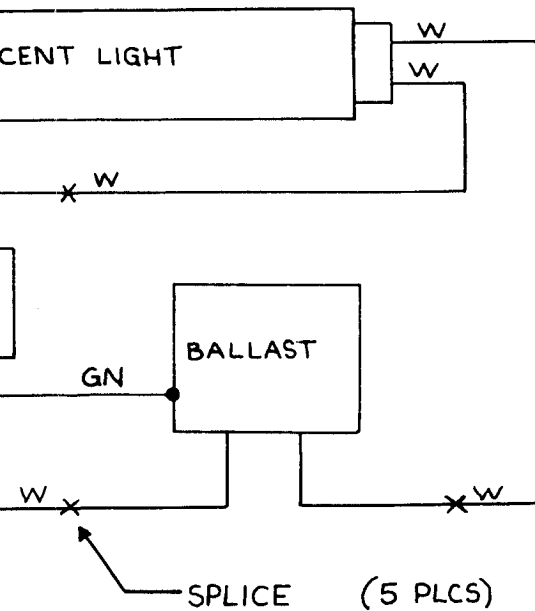
Kangaroo Reg./Audio II PCB Schematic Diagram



Utility Panel Wiring Diagram



Speaker Wiring Diagram



NOTICE TO ALL PERSONS RECEIVING THIS DRAWING
 CONFIDENTIAL: Reproduction forbidden without the specific written permission of Atari, Inc., Sunnyvale, CA. This drawing is only conditionally issued, and neither receipt nor possession thereof confers or transfers any right in, or license to use, the subject matter of the drawing or any design or technical information shown thereon, nor any right to reproduce this drawing or any part thereof. Except for manufacture by vendors of Atari, Inc., and for manufacture under the corporation's written license, no right is granted to reproduce this drawing or the subject matter thereof, unless by written agreement with or written permission from the corporation.

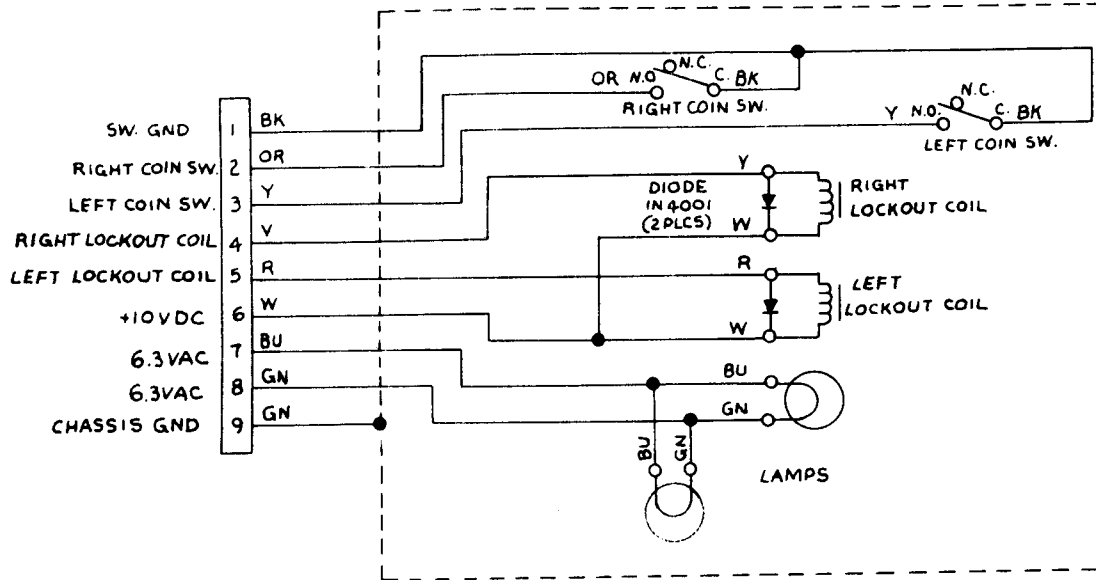
Kangaroo Game Wiring Interfaces

© ATARI INC., 1982

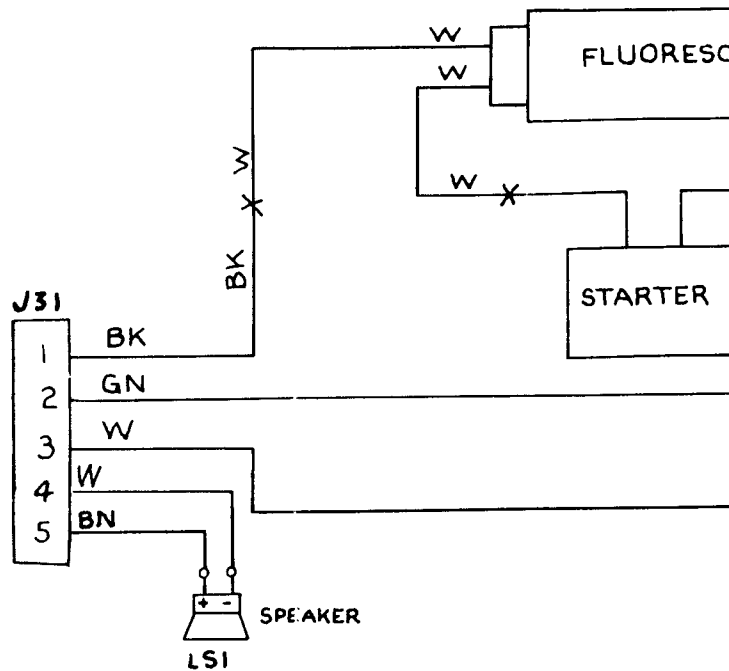
A Warner Communications Company

SP-204 Sheet 3B
 3rd printing

Coin Door Wiring Diagram

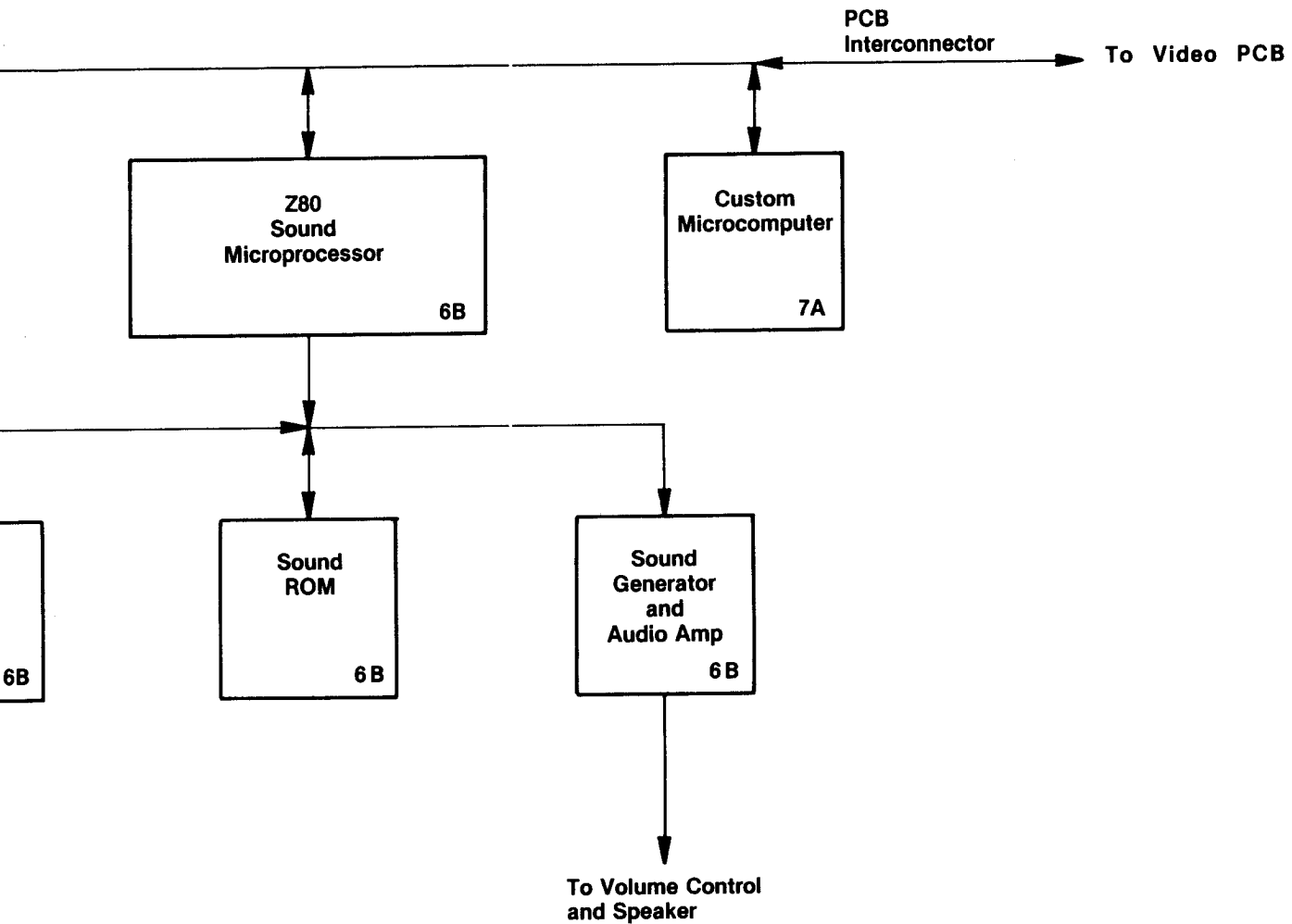


Fluorescent Light and



NOTE

The **service switch**, located on the CPU PCB, allows you to enter credits without tripping the coin counter.



NOTICE TO ALL PERSONS RECEIVING THIS DRAWING
CONFIDENTIAL: Reproduction forbidden without the specific written permission of Atari, Inc., Sunnyvale, CA. This drawing is only conditionally issued, and neither receipt nor possession thereof confers or transfers any right in, or license to use, the subject matter of the drawing or any design or technical information shown thereon, nor any right to reproduce this drawing or any part thereof. Except for manufacture by vendors of Atari, Inc., and for manufacture under the corporation's written license, no right is granted to reproduce this drawing or the subject matter thereof, unless by written agreement with or written permission from the corporation.

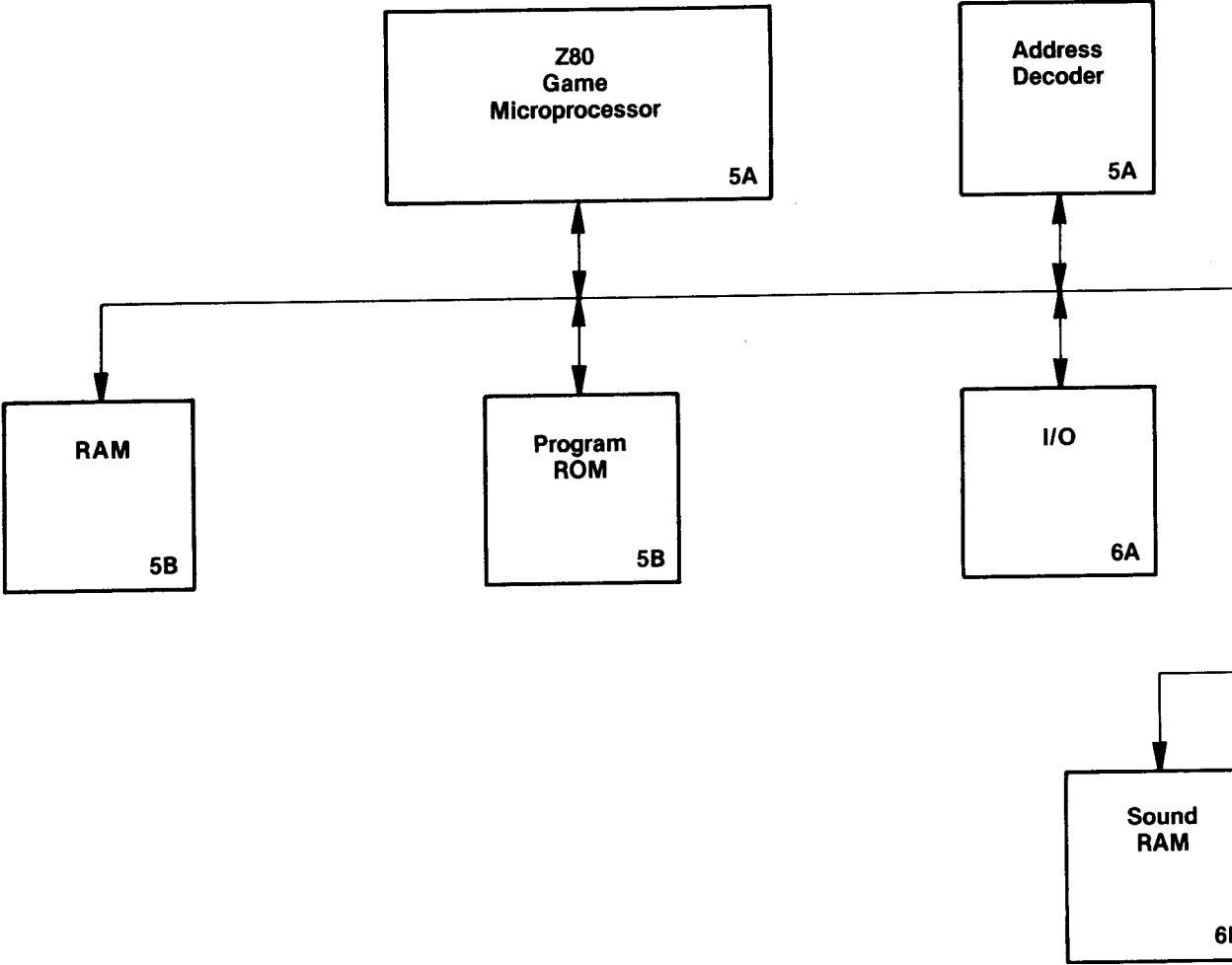
Kangaroo CPU PCB Schematic Diagram

© ATARI INC., 1982

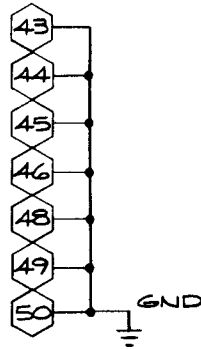
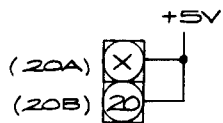
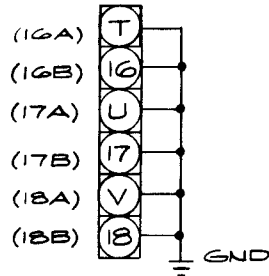
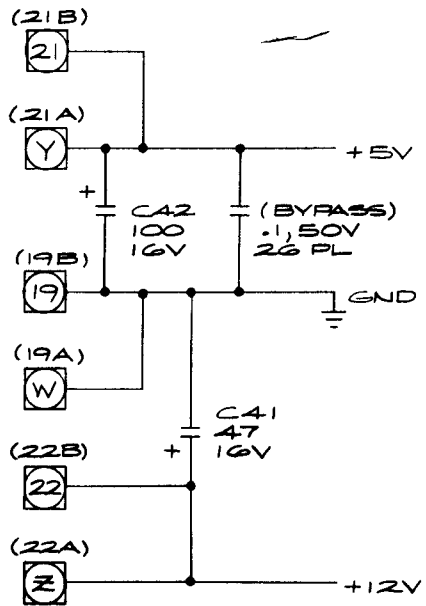
 A Warner Communications Company

SP-204 Sheet 4A
3rd printing

Block Diagram (CPU PCB)



CPU Power Input



NOTES:

1.  = CONNECTOR CN2
2.  = CONNECTOR CN1



NOTICE TO ALL PERSONS RECEIVING THIS DRAWING
 CONFIDENTIAL: Reproduction forbidden without the specific written permission of Atari, Inc., Sunnyvale, CA. This drawing is only conditionally issued, and neither receipt nor possession thereof confers or transfers any right in, or license to use, the subject matter of the drawing or any design or technical information shown thereon, nor any right to reproduce this drawing or any part thereof. Except for manufacture by vendors of Atari, Inc., and for manufacture under the corporation's written license, no right is granted to reproduce this drawing or the subject matter thereof, unless by written agreement with or written permission from the corporation.

Kangaroo CPU PCB Schematic Diagram

© ATARI INC., 1982

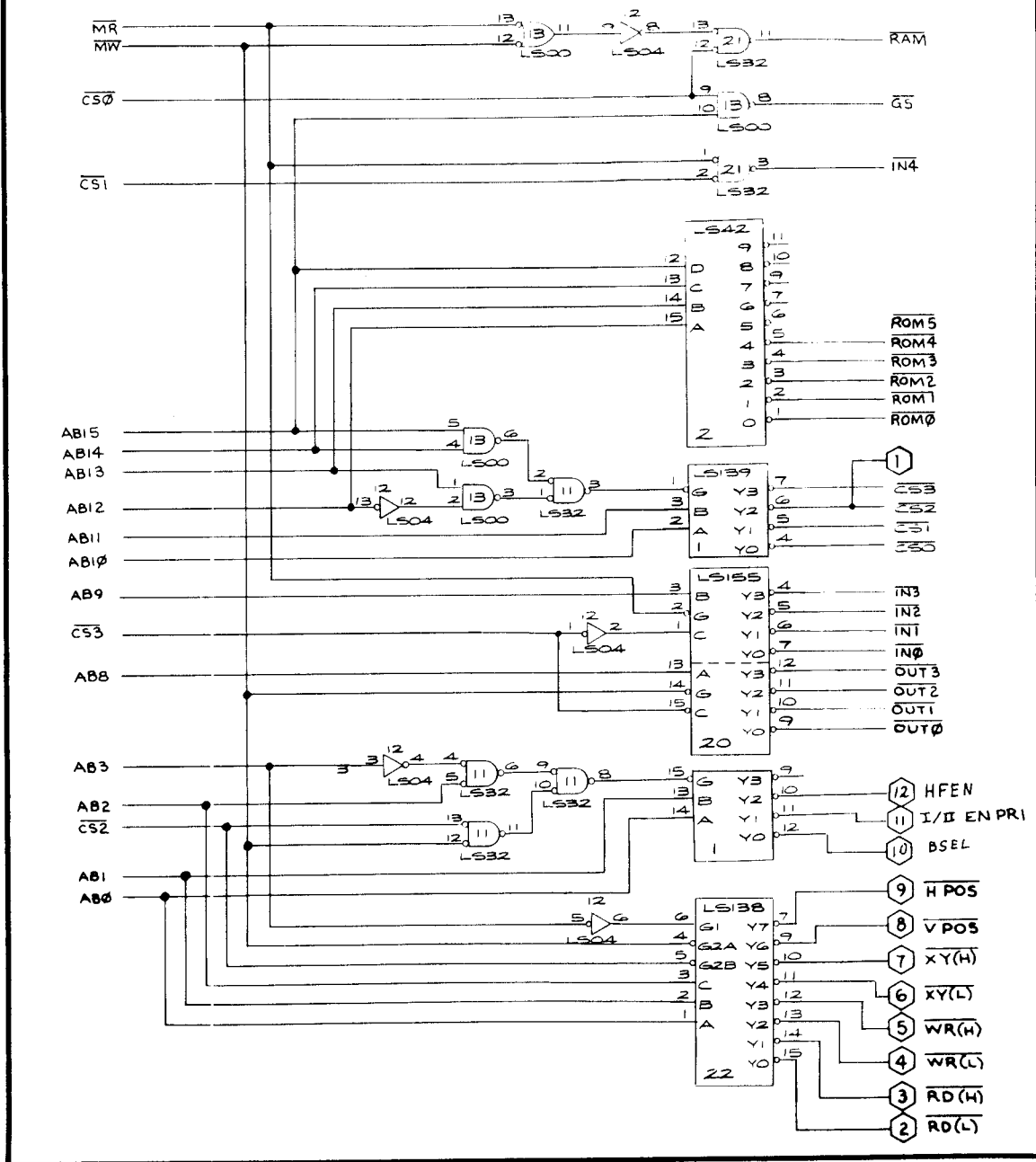
 A Warner Communications Company

SP-204 Sheet 4B
 3rd printing

Memory Map

HEXA-DECIMAL ADDRESS	R/W	DATA D7 D6 D5 D4 D3 D2 D1 D0								FUNCTION
Game Microprocessor Memory Space (IC15)										
0000-5FFF	R	D	D	D	D	D	D	D	D	Z80 24K Program ROM
E000-E3FF	R/W	D	D	D	D	D	D	D	D	1K Working RAM
E400	R	D	D	D	D	D	D	D	D	Option Switch
E800	W	D	D	D	D	D	D	D	D	Low Byte } Start Address of Data in Picture High Byte } ROM for DMA
E801	W	D	D	D	D	D	D	D	D	
E802	W	D	D	D	D	D	D	D	D	Low Byte } Start Address in Bit Map RAM (where High Byte } picture is to be written) During DMA
E803	W	D	D	D	D	D	D	D	D	
E804	W	D	D	D	D	D	D	D	D	Low Byte } Picture Size for DMA High Byte } and DMA Start
E805	W	D	D	D	D	D	D	D	D	
E806	W	D	D	D	D	D	D	D	D	Vertical Start Address in Bit Map
E807	W	D	D	D	D	D	D	D	D	Horizontal Start Address in Bit Map
E808	W							D	D	Bank Select Latch
E809	W				D	D	D	D	D	A & B Bit Map Control Latch (A = playfield, B = motion)
E80A					D	D	D	D	D	Color-Shading Latch
EC00	W	D	D	D	D	D	D	D	D	Sound DATA to Sound Microprocessor
EC00	R								D	Utility Coin Switch
EC00	R							D		1 Player Start
EC00	R						D			2 Player Start
EC00	R					D				Left Coin Input
EC00	R				D					Right Coin Input
ED00	W								D	Coin Counter 1
ED00	W								D	Coin Counter 2 (European games)
ED00	R								D	Player 1 Right
ED00	R								D	Player 1 Left
ED00	R						D			Player 1 Up
ED00	R					D				Player 1 Down
ED00	R				D					Player 1 Punch
EE00	R								D	Player 2 Right
EE00	R								D	Player 2 Left
EE00	R						D			Player 2 Up
EE00	R					D				Player 2 Down
EE00	R				D					Player 2 Punch
EFXX	W					D	D	D	D	Output to Custom Microcomputer
EFXX	R					D	D	D	D	Input from Custom Microcomputer
Sound Microprocessor Memory Space (IC34)										
0000-0FFF	R	D	D	D	D	D	D	D	D	4K Program ROM
4000-43FF	R/W	D	D	D	D	D	D	D	D	1K Working RAM
6000	R	D	D	D	D	D	D	D	D	Read DATA from Game Microprocessor
7000	W	D	D	D	D	D	D	D	D	Write to Sound Chip (GI-AY-3-8910)
8000	R	D	D	D	D	D	D	D	D	Read from Sound Chip

Address Decoder



NOTICE TO ALL PERSONS RECEIVING THIS DRAWING
 CONFIDENTIAL: Reproduction forbidden without the specific written permission of Atari, Inc., Sunnyvale, CA. This drawing is only conditionally issued, and neither receipt nor possession thereof confers or transfers any right in, or license to use, the subject matter of the drawing or any design or technical information shown thereon, nor any right to reproduce this drawing or any part thereof. Except for manufacture by vendors of Atari, Inc., and for manufacture under the corporation's written license, no right is granted to reproduce this drawing or the subject matter thereof, unless by written agreement with or written permission from the corporation.

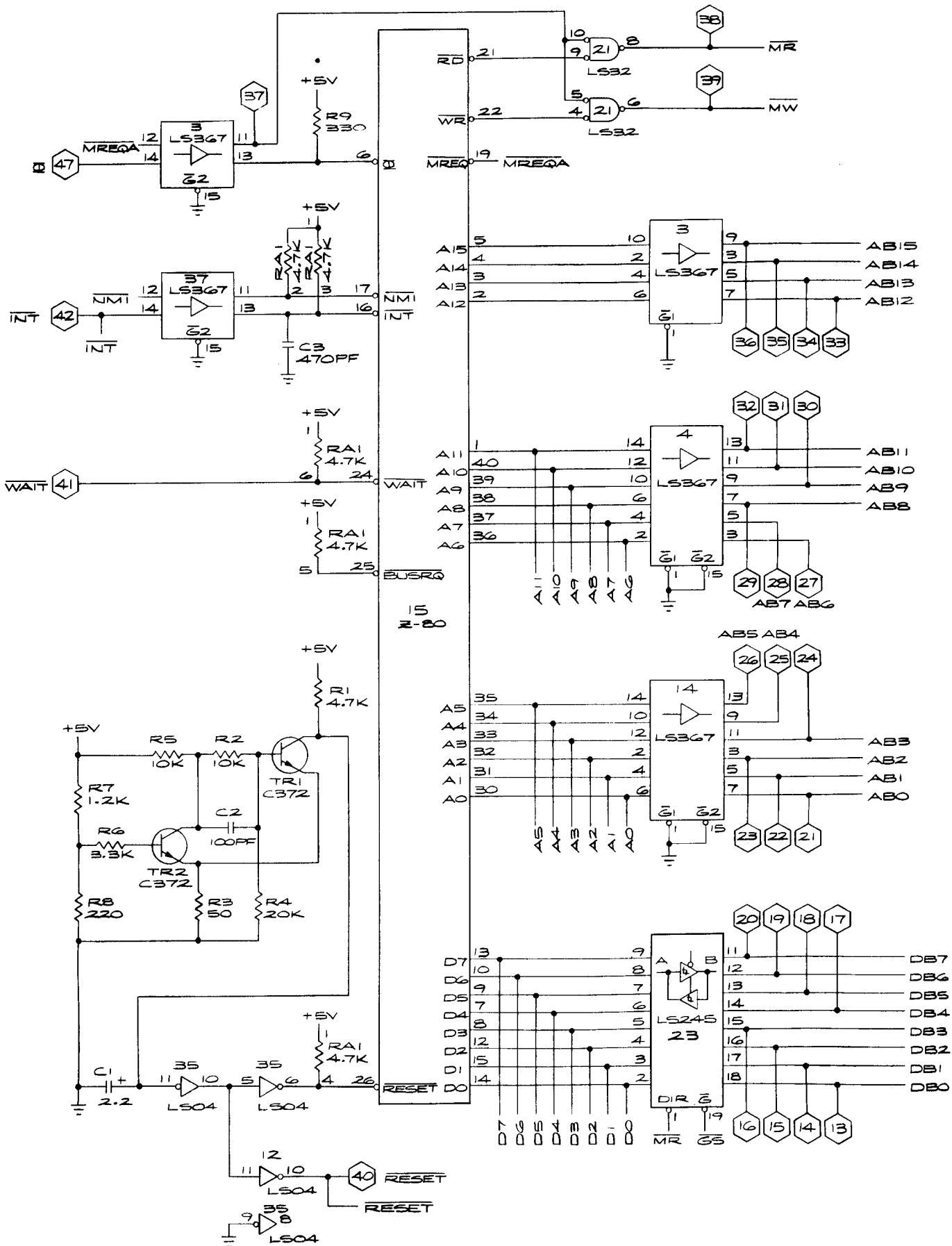
Kangaroo CPU PCB Schematic Diagram

© ATARI INC., 1982

A Warner Communications Company

SP-204 Sheet 5A
 3rd printing

Game Microprocessor





NOTICE TO ALL PERSONS RECEIVING THIS DRAWING
CONFIDENTIAL: Reproduction forbidden without the specific written permission of Atari, Inc., Sunnyvale, CA. This drawing is only conditionally issued, and neither receipt nor possession thereof confers or transfers any right in, or license to use, the subject matter of the drawing or any design or technical information shown thereon, nor any right to reproduce this drawing or any part thereof. Except for manufacture by vendors of Atari, Inc., and for manufacture under the corporation's written license, no right is granted to reproduce this drawing or the subject matter thereof, unless by written agreement with or written permission from the corporation.

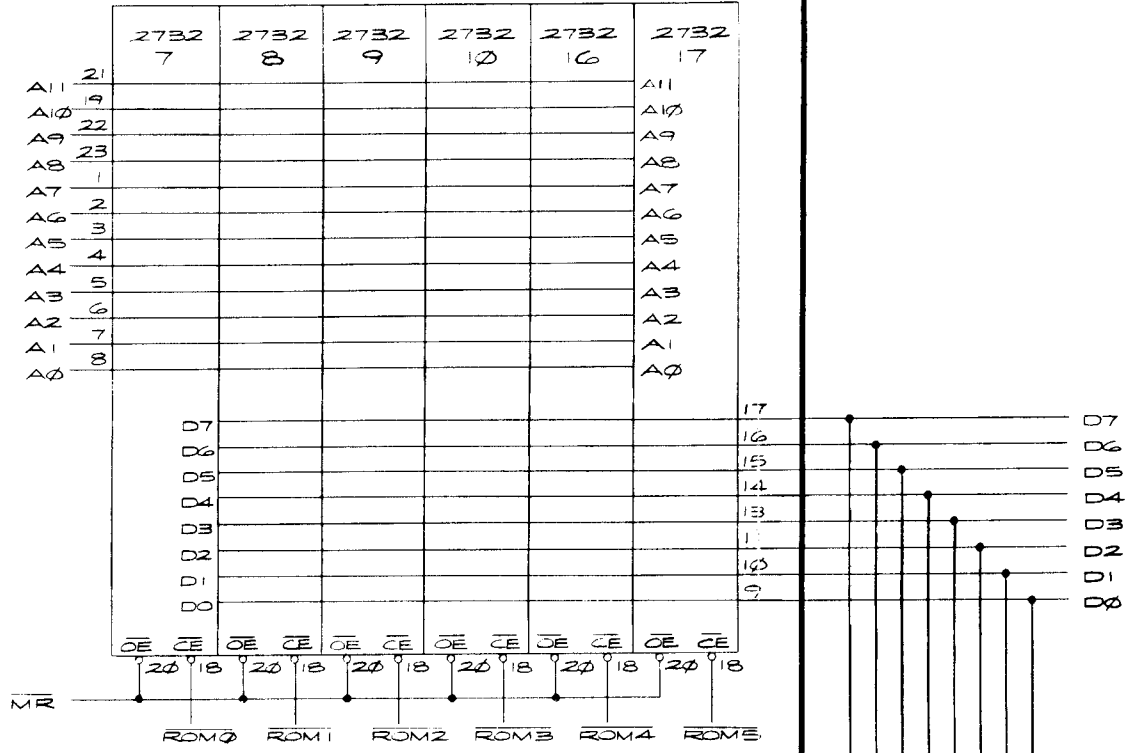
Kangaroo CPU PCB Schematic Diagram

© ATARI INC., 1982

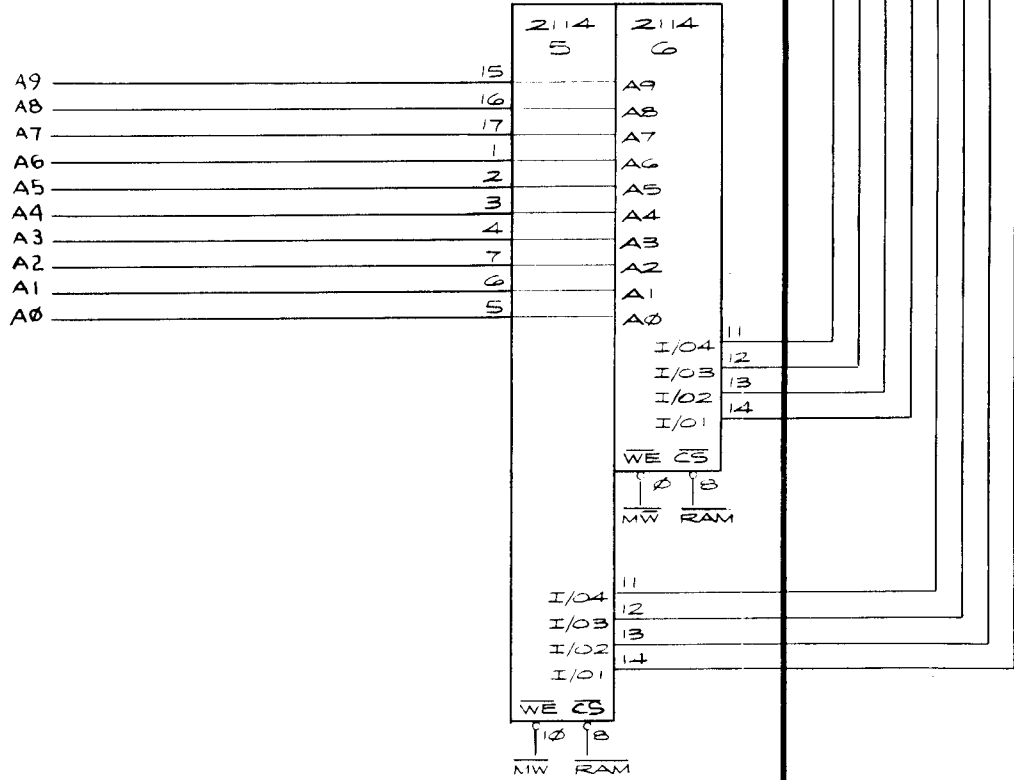
 A Warner Communications Company

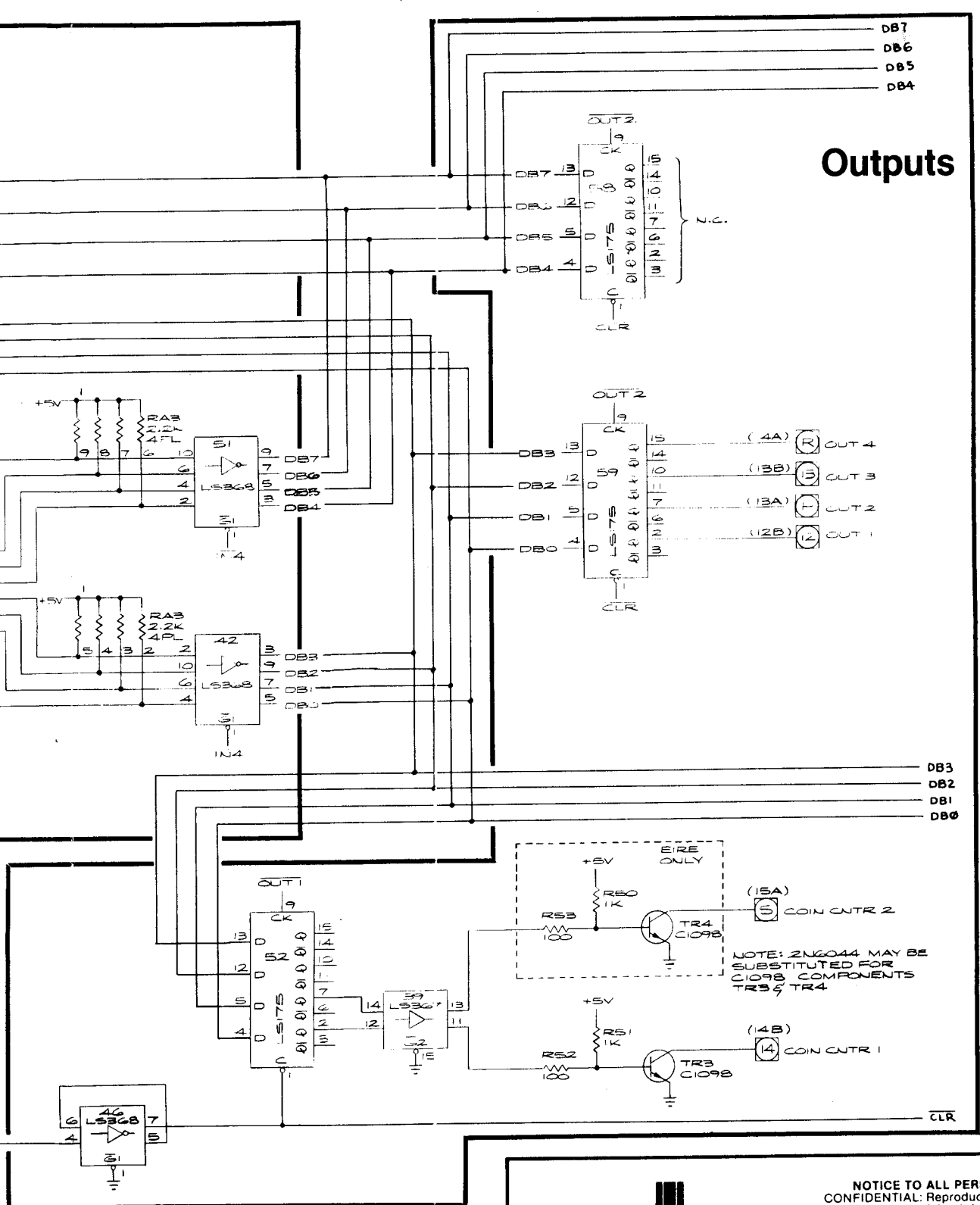
SP-204 Sheet 5B
3rd printing

Program ROM



RAM





Outputs

DB3
DB2
DB1
DB0

NOTICE TO ALL PERSONS RECEIVING THIS DRAWING
 CONFIDENTIAL: Reproduction forbidden without the specific written permission of Atari, Inc., Sunnyvale, CA. This drawing is only conditionally issued, and neither receipt nor possession thereof confers or transfers any right in, or license to use, the subject matter of the drawing or any design or technical information shown thereon, nor any right to reproduce this drawing or any part thereof. Except for manufacture by vendors of Atari, Inc., and for manufacture under the corporation's written license, no right is granted to reproduce this drawing or the subject matter thereof, unless by written agreement with or written permission from the corporation.



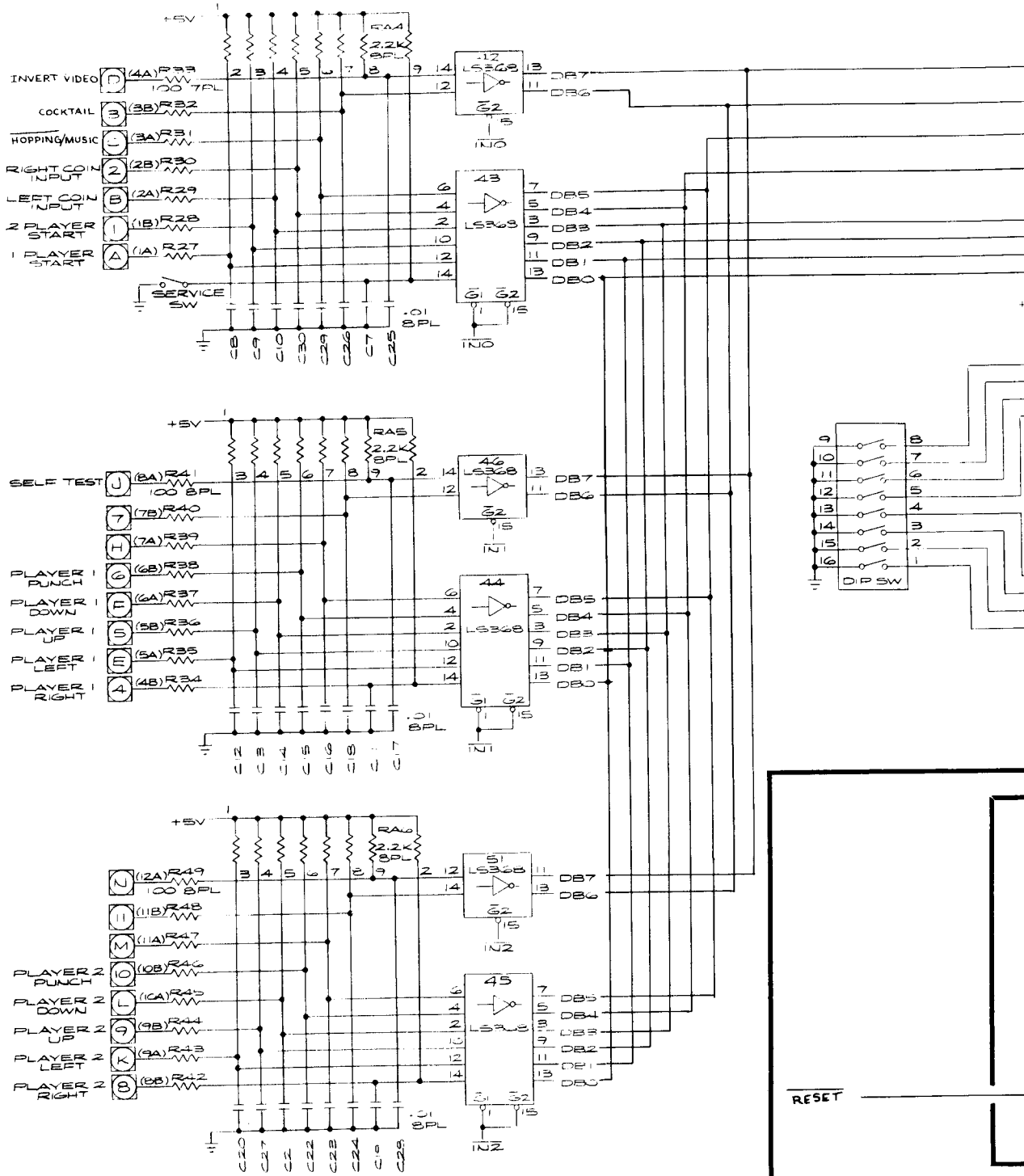
Kangaroo CPU PCB Schematic Diagram

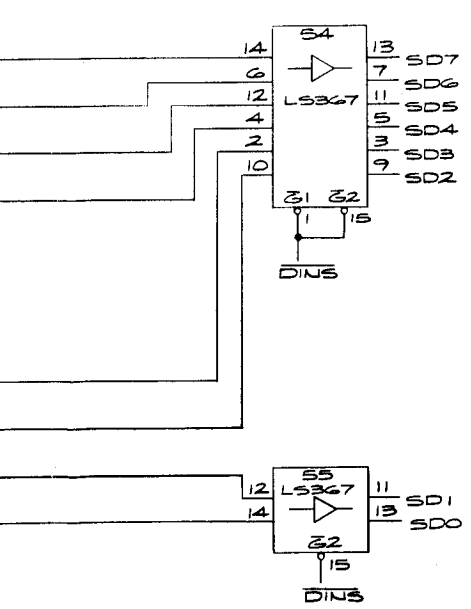
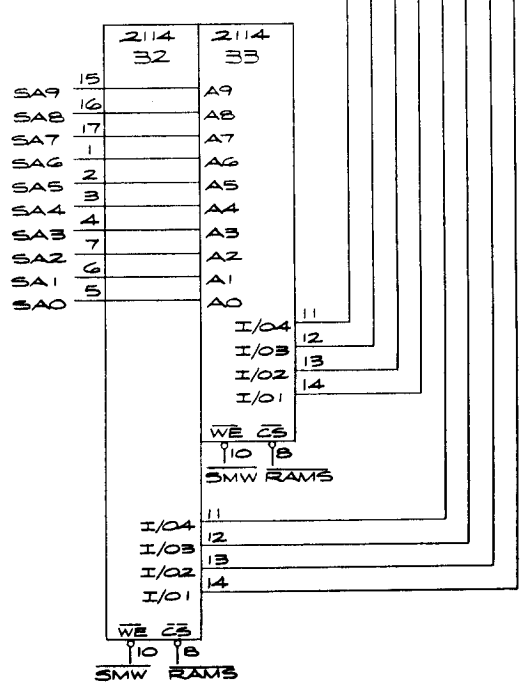
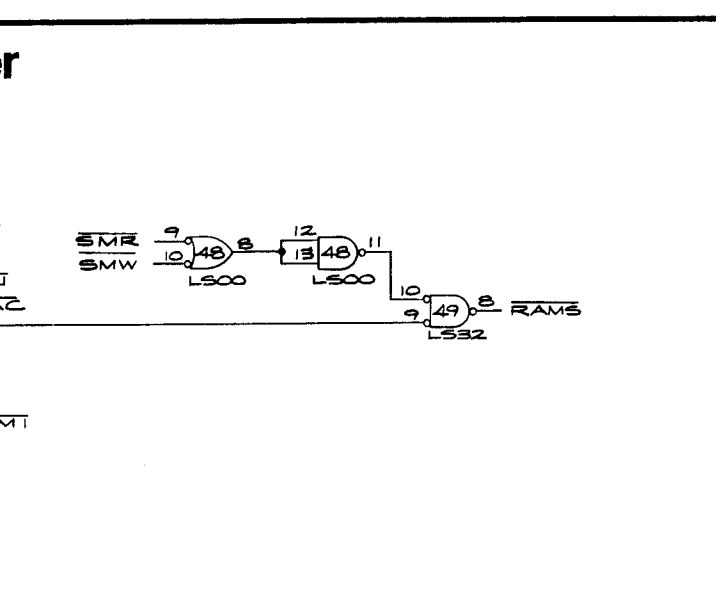
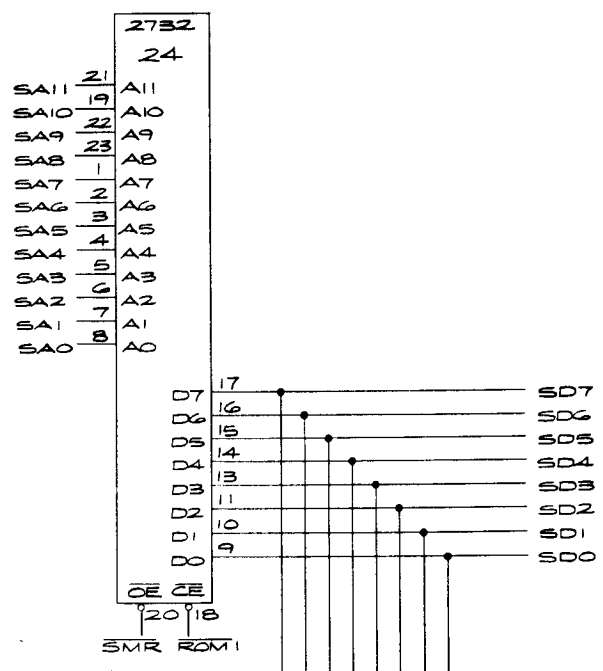
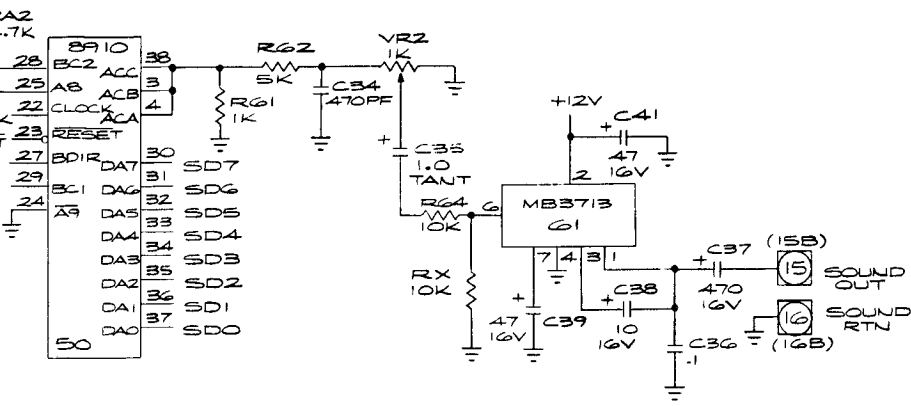
© ATARI INC., 1982


A Warner Communications Company

SP-204 Sheet 6A
3rd printing

Inputs







NOTICE TO ALL PERSONS RECEIVING THIS DRAWING
 CONFIDENTIAL: Reproduction forbidden without the specific written permission of Atari, Inc., Sunnyvale, CA. This drawing is only conditionally issued, and neither receipt nor possession thereof confers or transfers any right in, or license to use, the subject matter of the drawing or any design or technical information shown thereon, nor any right to reproduce this drawing or any part thereof. Except for manufacture by vendors of Atari, Inc., and for manufacture under the corporation's written license, no right is granted to reproduce this drawing or the subject matter thereof, unless by written agreement with or written permission from the corporation.

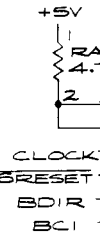
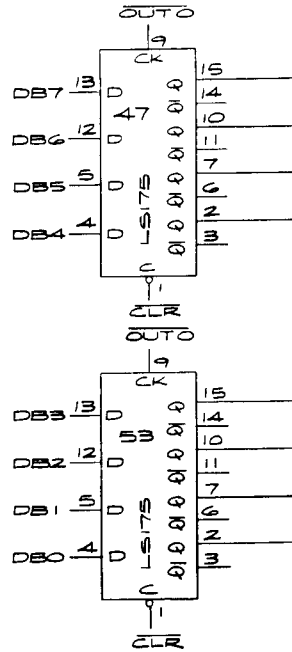
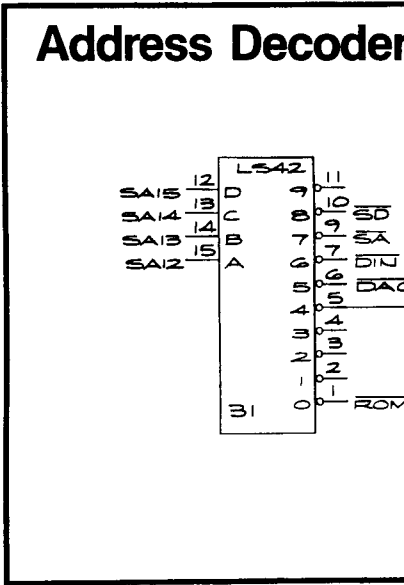
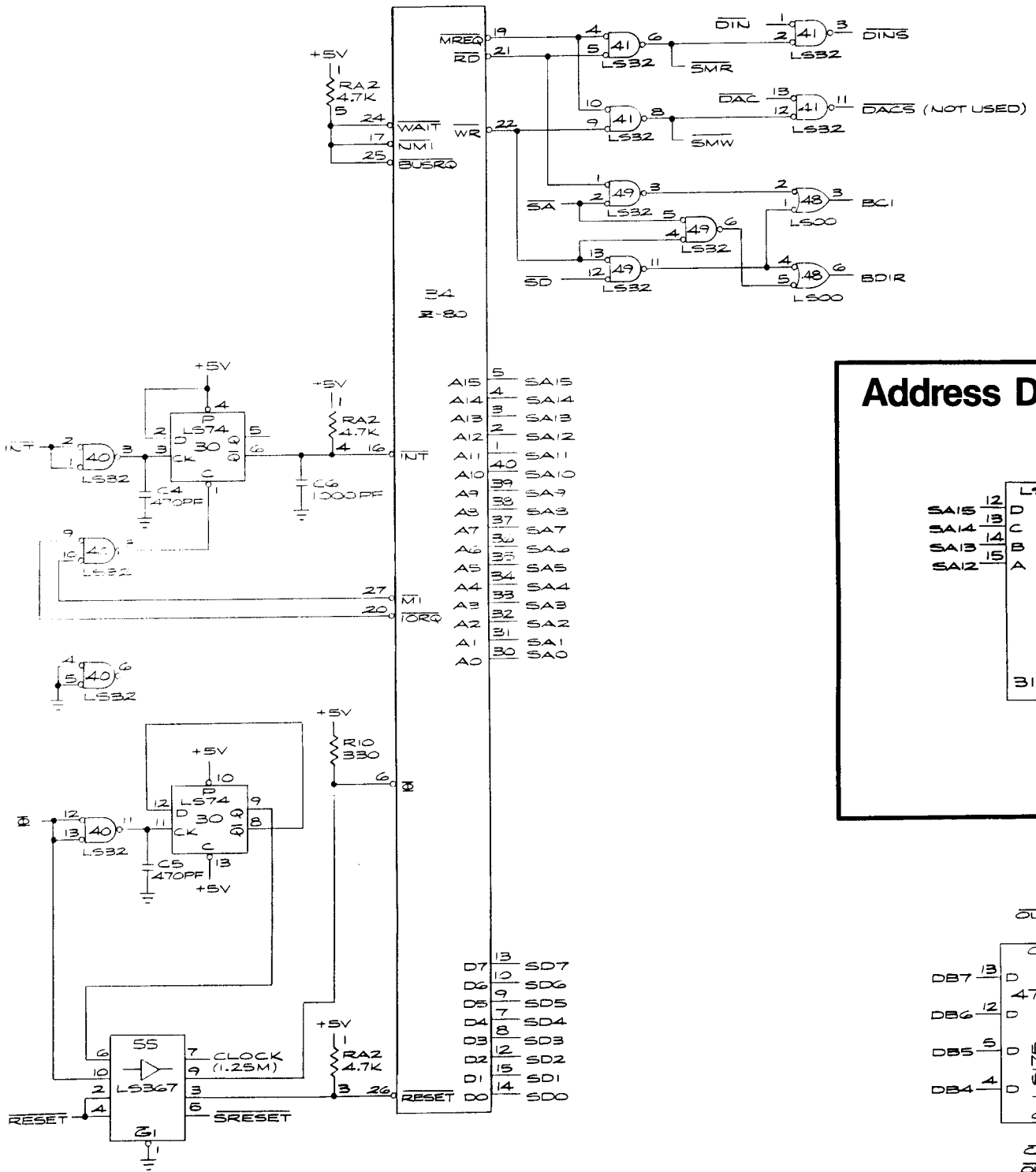
Kangaroo CPU PCB Schematic Diagram

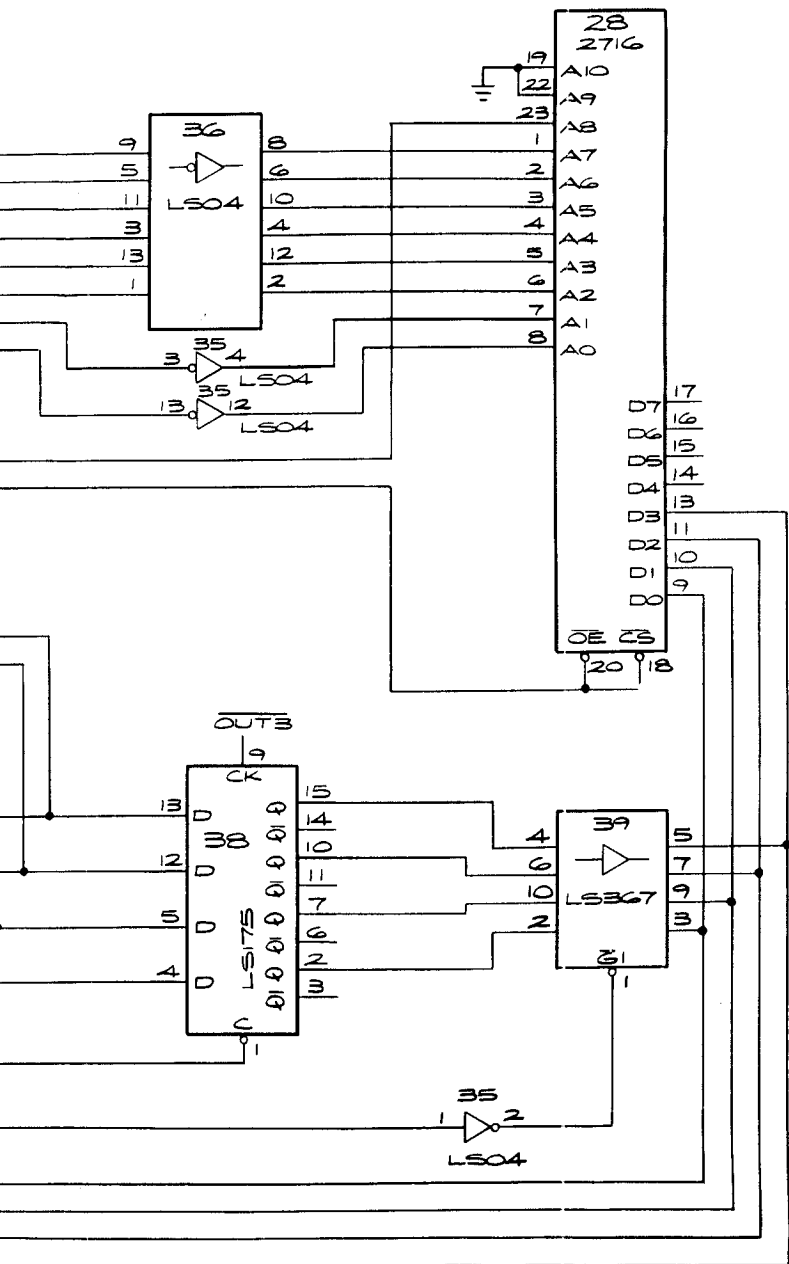
© ATARI INC., 1982

A Warner Communications Company

SP-204 Sheet 6B
3rd printing

Sound Microprocessor





NOTICE TO ALL PERSONS RECEIVING THIS DRAWING
 CONFIDENTIAL: Reproduction forbidden without the specific written permission of Atari, Inc., Sunnyvale, CA. This drawing is only conditionally issued, and neither receipt nor possession thereof confers or transfers any right in, or license to use, the subject matter of the drawing or any design or technical information shown thereon, nor any right to reproduce this drawing or any part thereof. Except for manufacture by vendors of Atari, Inc., and for manufacture under the corporation's written license, no right is granted to reproduce this drawing or the subject matter thereof, unless by written agreement with or written permission from the corporation.

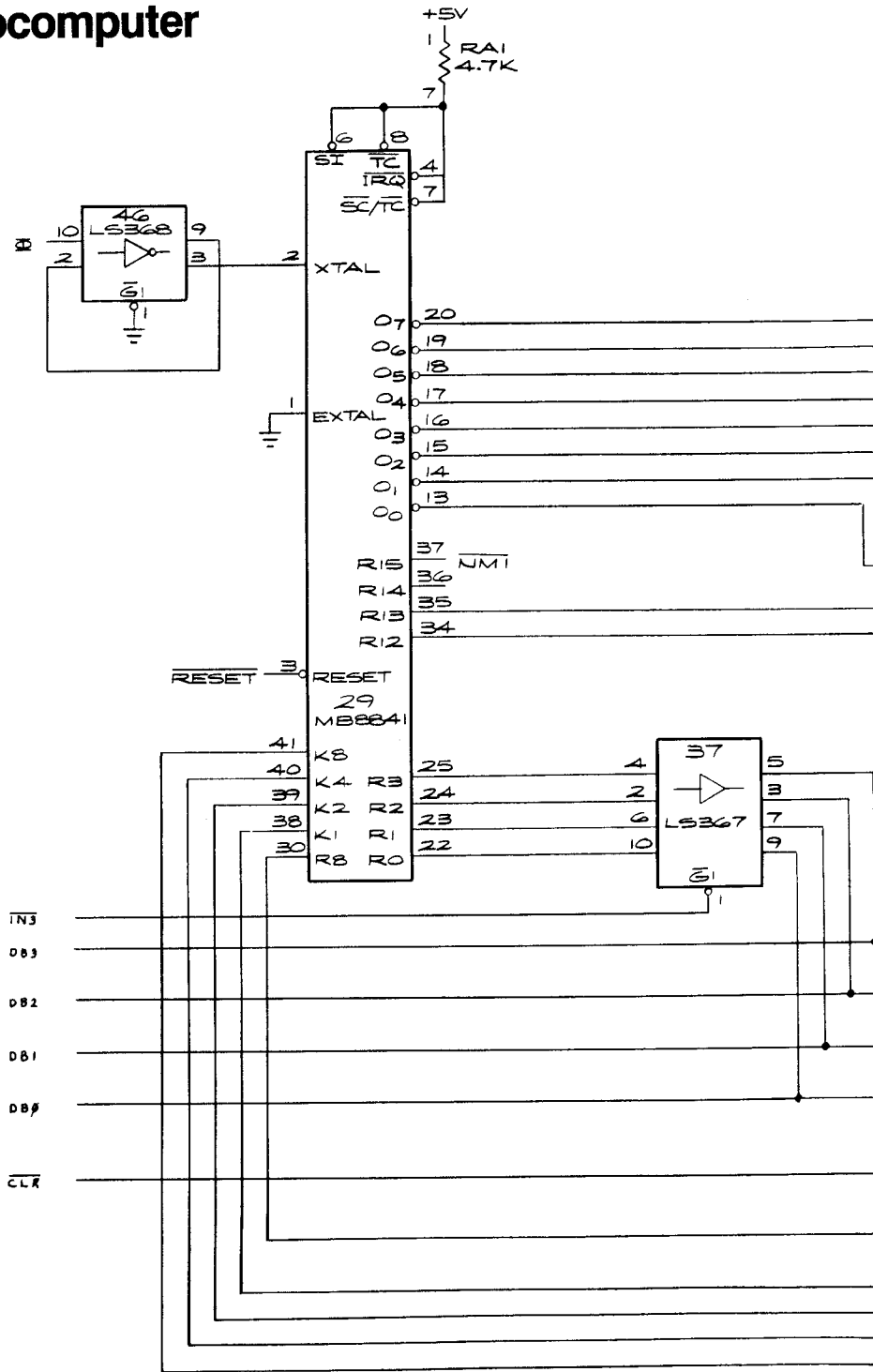
Kangaroo CPU PCB Schematic Diagram

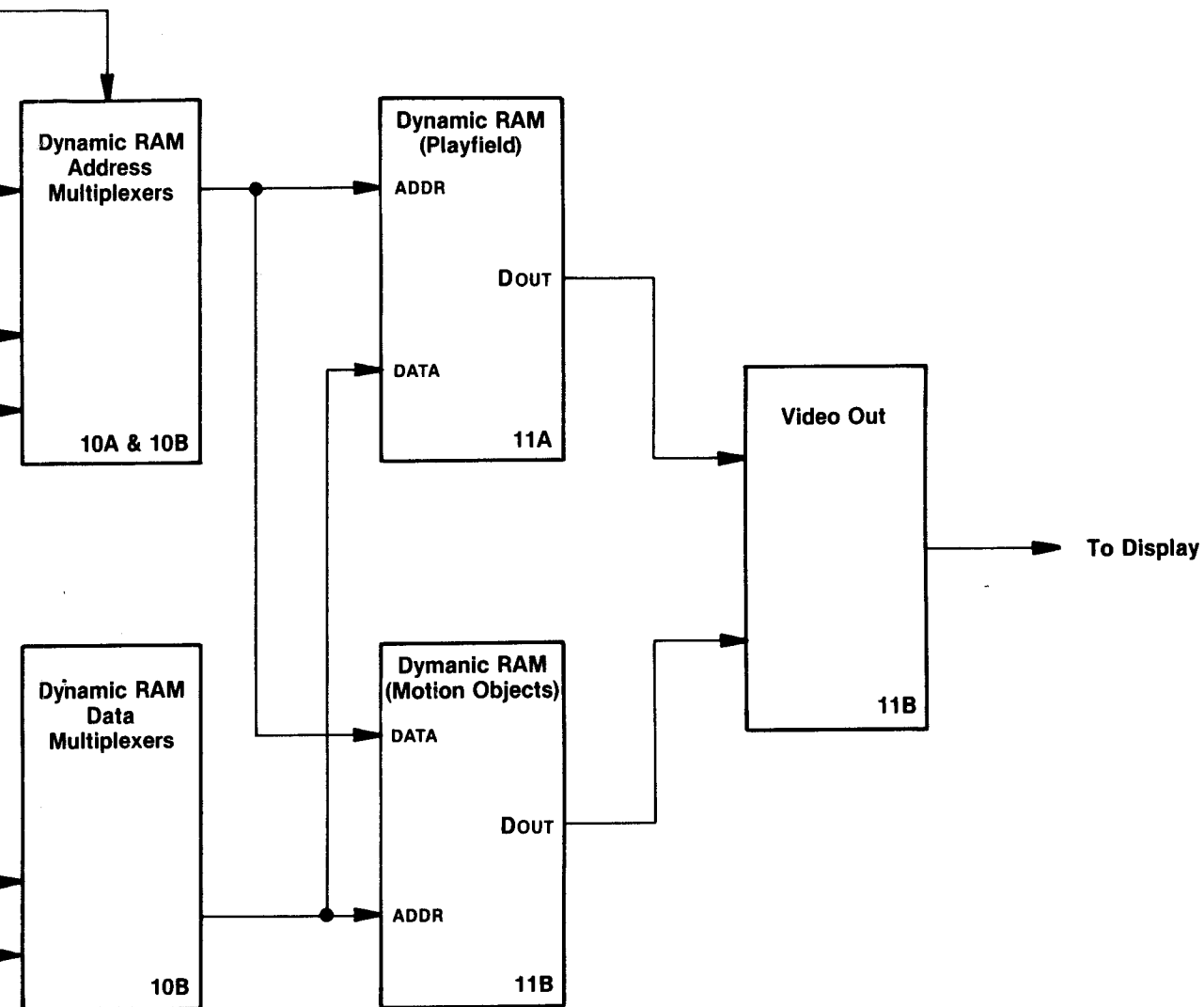
© ATARI INC., 1982

 A Warner Communications Company

SP-204 Sheet 7A
 3rd printing

Custom Microcomputer





NOTICE TO ALL PERSONS RECEIVING THIS DRAWING
 CONFIDENTIAL: Reproduction forbidden without the specific written permission of Atari, Inc., Sunnyvale, CA. This drawing is only conditionally issued, and neither receipt nor possession thereof confers or transfers any right in, or license to use, the subject matter of the drawing or any design or technical information shown thereon, nor any right to reproduce this drawing or any part thereof. Except for manufacture by vendors of Atari, Inc., and for manufacture under the corporation's written license, no right is granted to reproduce this drawing or the subject matter thereof, unless by written agreement with or written permission from the corporation.

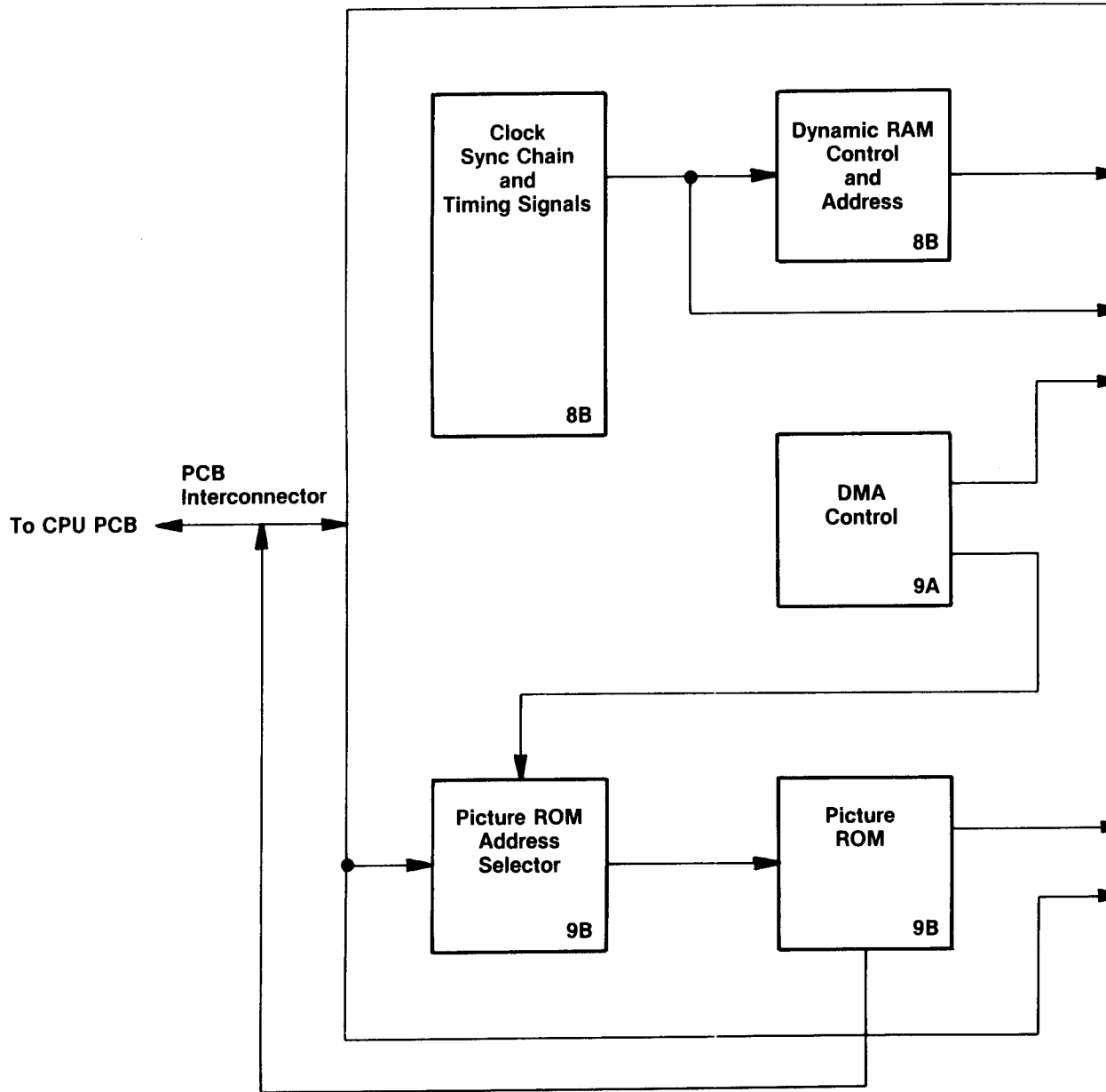
Kangaroo Video PCB Schematic Diagram

© ATARI INC., 1982

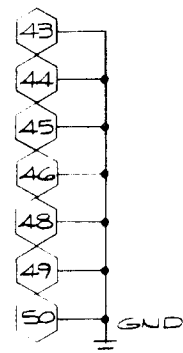
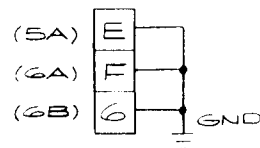
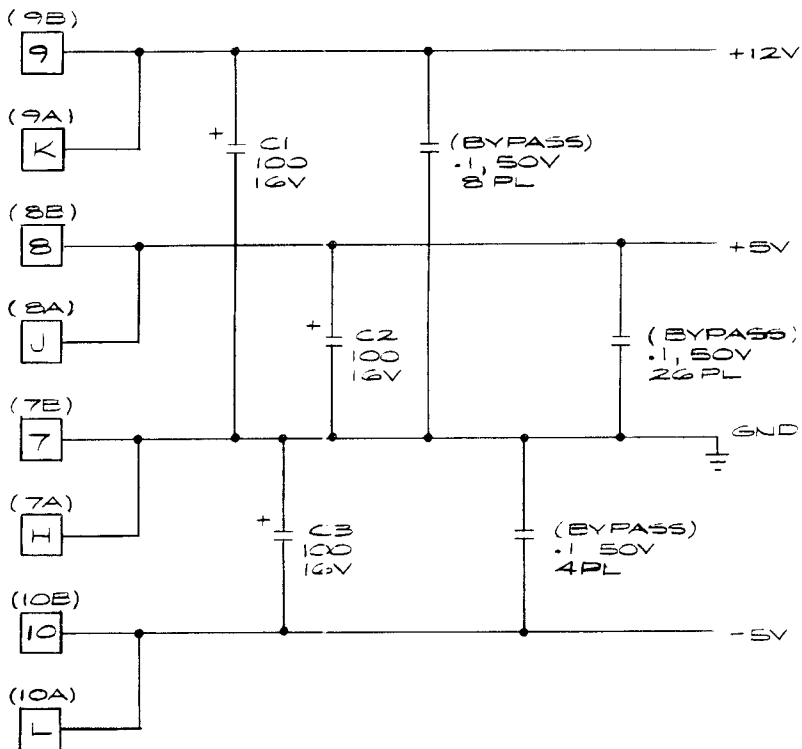
 A Warner Communications Company

SP-204 Sheet 7B
 3rd printing

Block Diagram (Video PCB)



Video Power Input



NOTES:

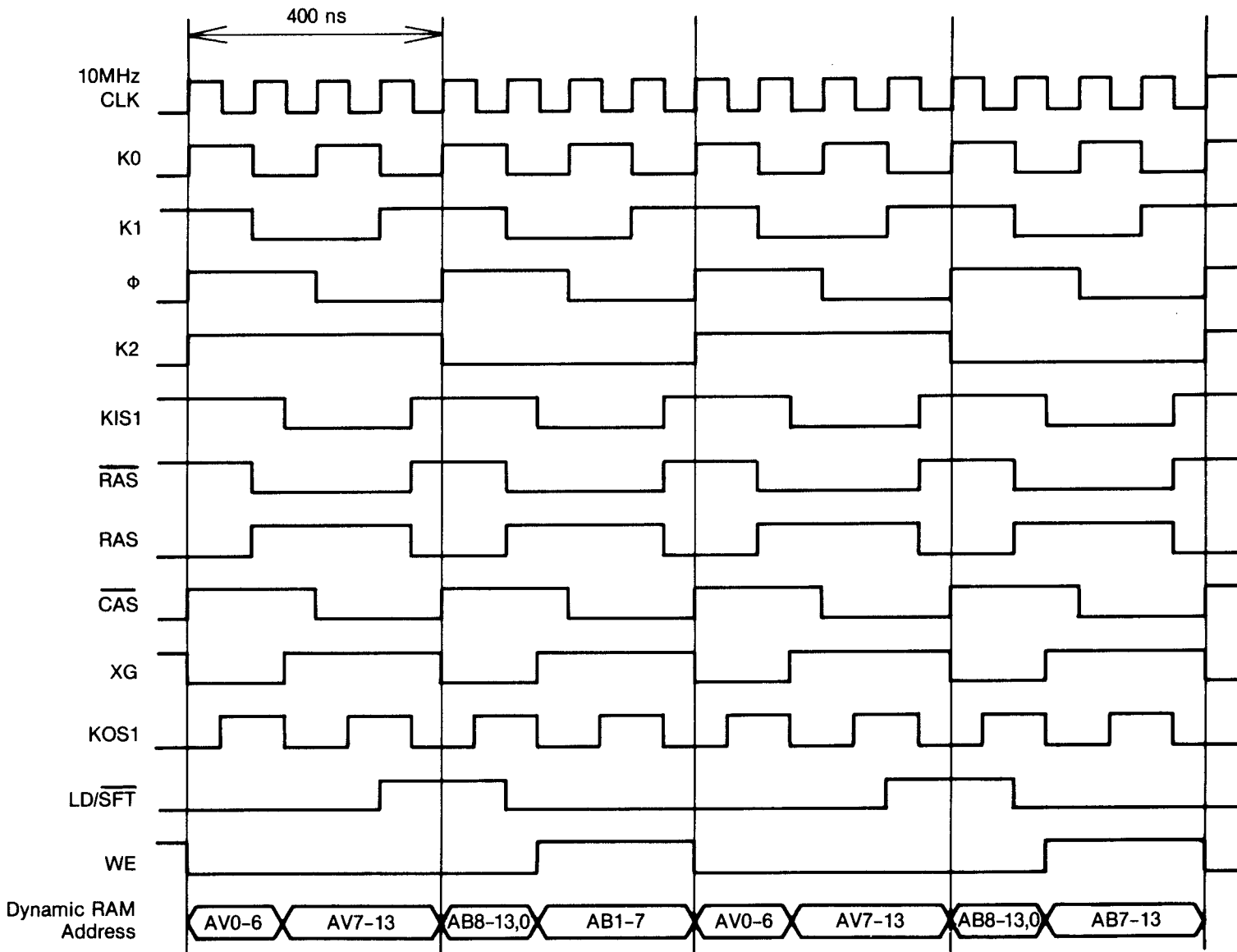
1.  = CONNECTOR CN1
2.  = CONNECTOR CN4



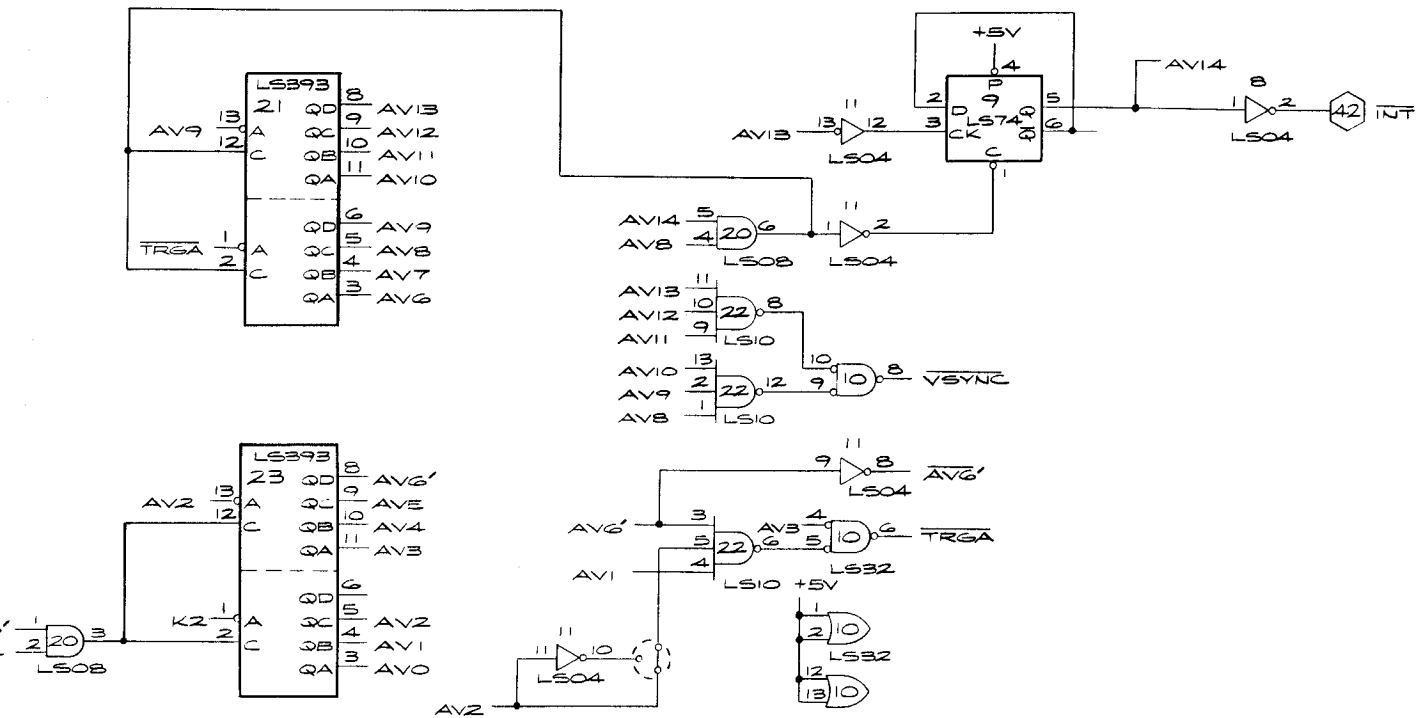
NOTICE TO ALL PERSONS RECEIVING THIS DRAWING
 CONFIDENTIAL: Reproduction forbidden without the specific written permission of Atari, Inc., Sunnyvale, CA. This drawing is only conditionally issued, and neither receipt nor possession thereof confers or transfers any right in, or license to use, the subject matter of the drawing or any design or technical information shown thereon, nor any right to reproduce this drawing or any part thereof. Except for manufacture by vendors of Atari, Inc., and for manufacture under the corporation's written license, no right is granted to reproduce this drawing or the subject matter thereof, unless by written agreement with or written permission from the corporation.

Kangaroo Video PCB Schematic Diagram

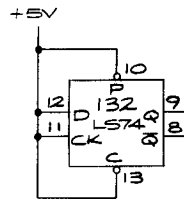
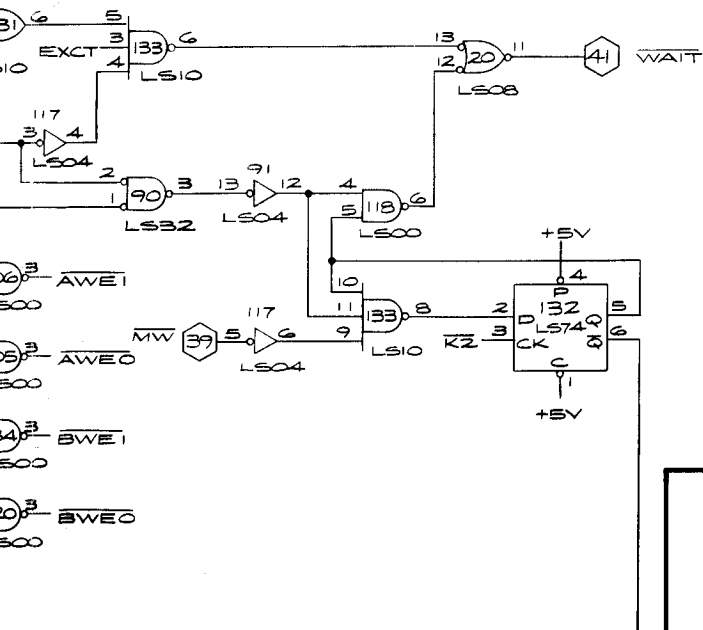
Dynamic RAM Timing Diagram (Video PCB)



Timing Signals



Address Decoding



NOTICE TO ALL PERSONS RECEIVING THIS DRAWING
 CONFIDENTIAL: Reproduction forbidden without the specific written permission of Atari, Inc., Sunnyvale, CA. This drawing is only conditionally issued, and neither receipt nor possession thereof confers or transfers any right in, or license to use, the subject matter of the drawing or any design or technical information shown thereon, nor any right to reproduce this drawing or any part thereof. Except for manufacture by vendors of Atari, Inc., and for manufacture under the corporation's written license, no right is granted to reproduce this drawing or the subject matter thereof, unless by written agreement with or written permission from the corporation.

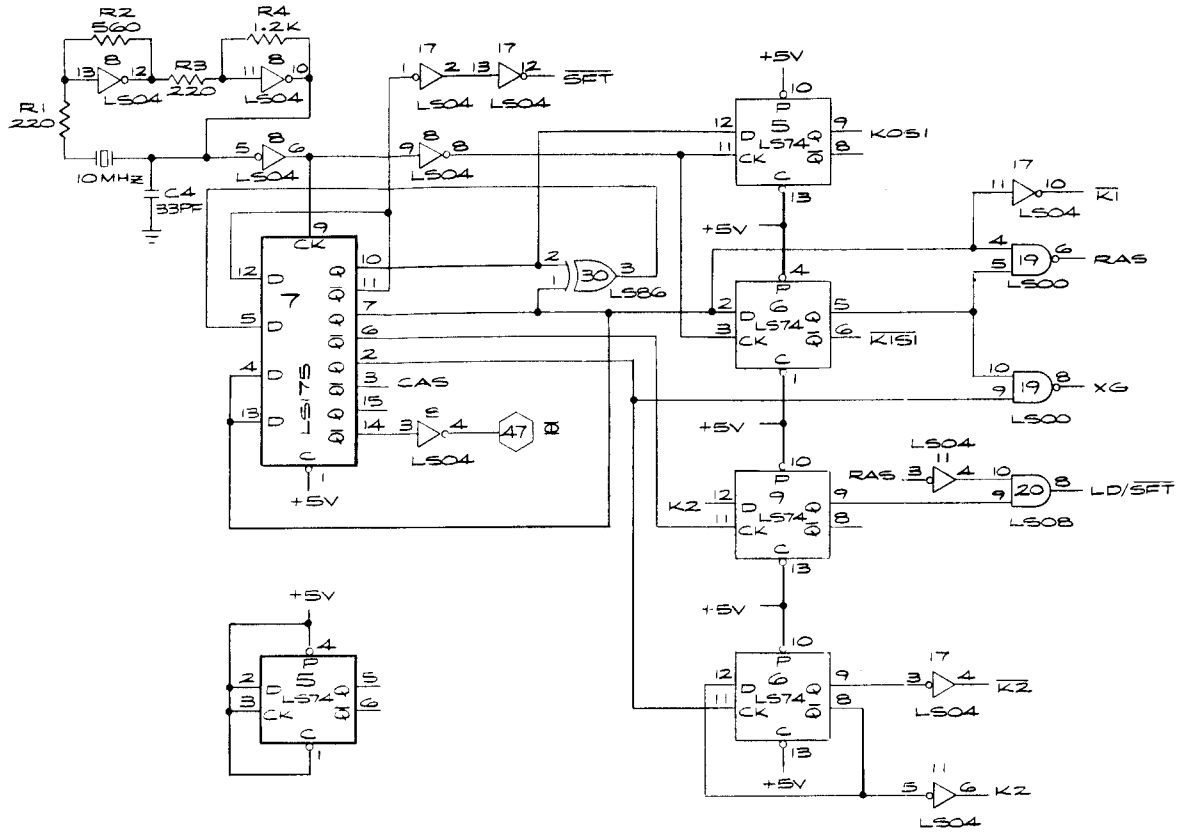
Kangaroo Video PCB Schematic Diagram

© ATARI INC., 1982

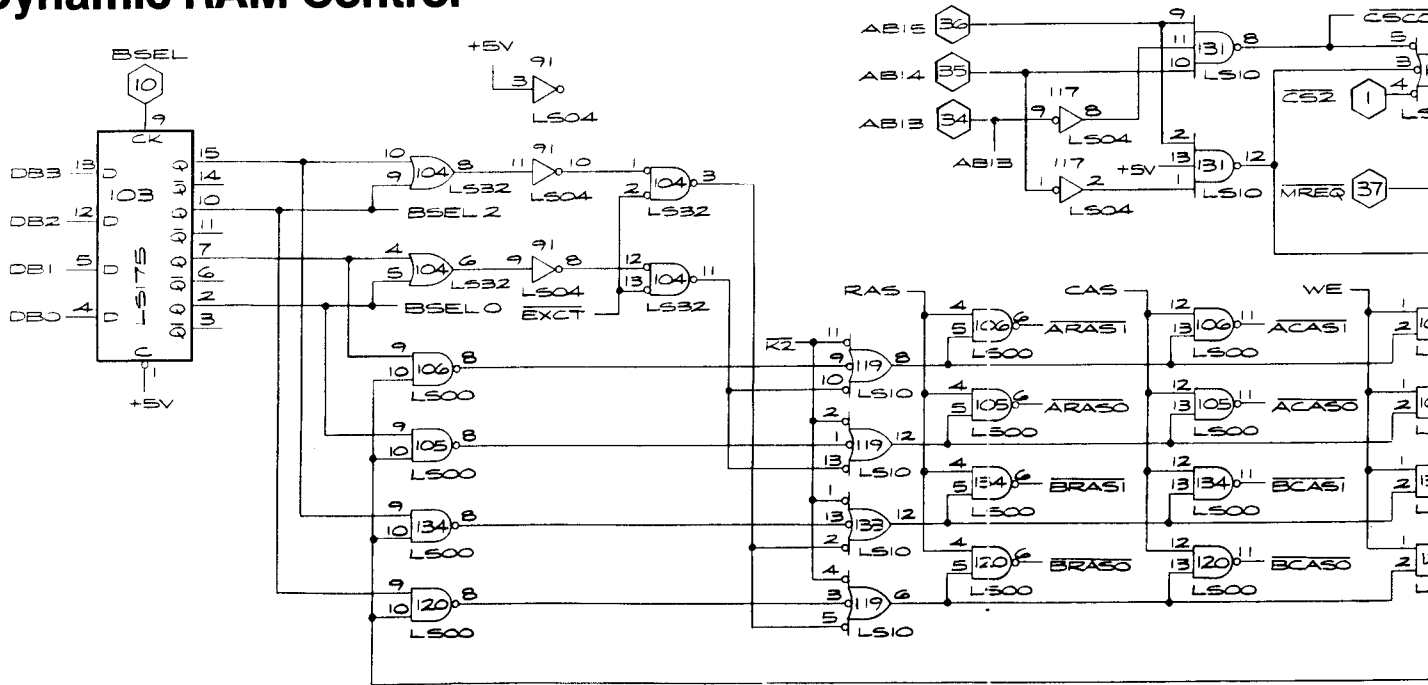
A Warner Communications Company

SP-204 Sheet 8B
 3rd printing

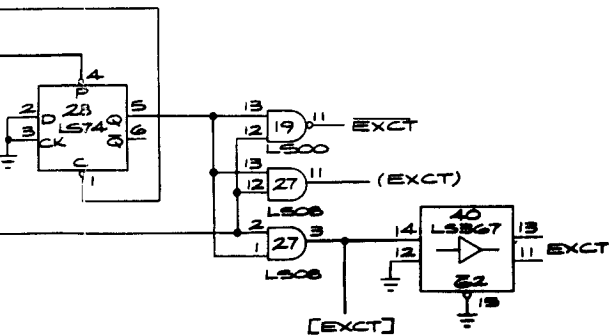
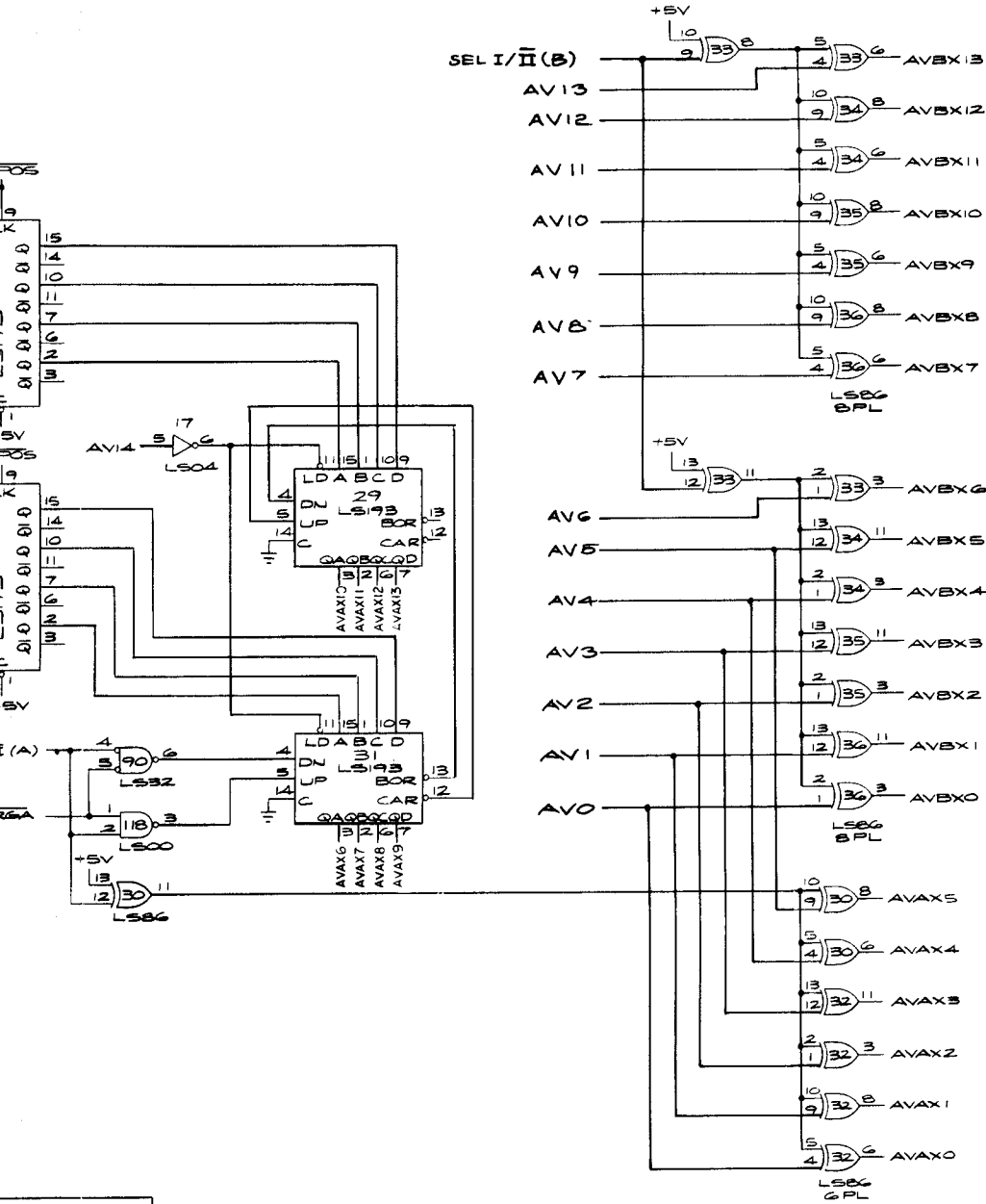
Clock, Sync Chain, a




Dynamic RAM Control



Dynamic RAM Video Address and Flip





ATARI

NOTICE TO ALL PERSONS RECEIVING THIS DRAWING
 CONFIDENTIAL: Reproduction forbidden without the specific written permission of Atari, Inc., Sunnyvale, CA. This drawing is only conditionally issued, and neither receipt nor possession thereof confers or transfers any right in, or license to use, the subject matter of the drawing or any design or technical information shown thereon, nor any right to reproduce this drawing or any part thereof. Except for manufacture by vendors of Atari, Inc., and for manufacture under the corporation's written license, no right is granted to reproduce this drawing or the subject matter thereof, unless by written agreement with or written permission from the corporation.

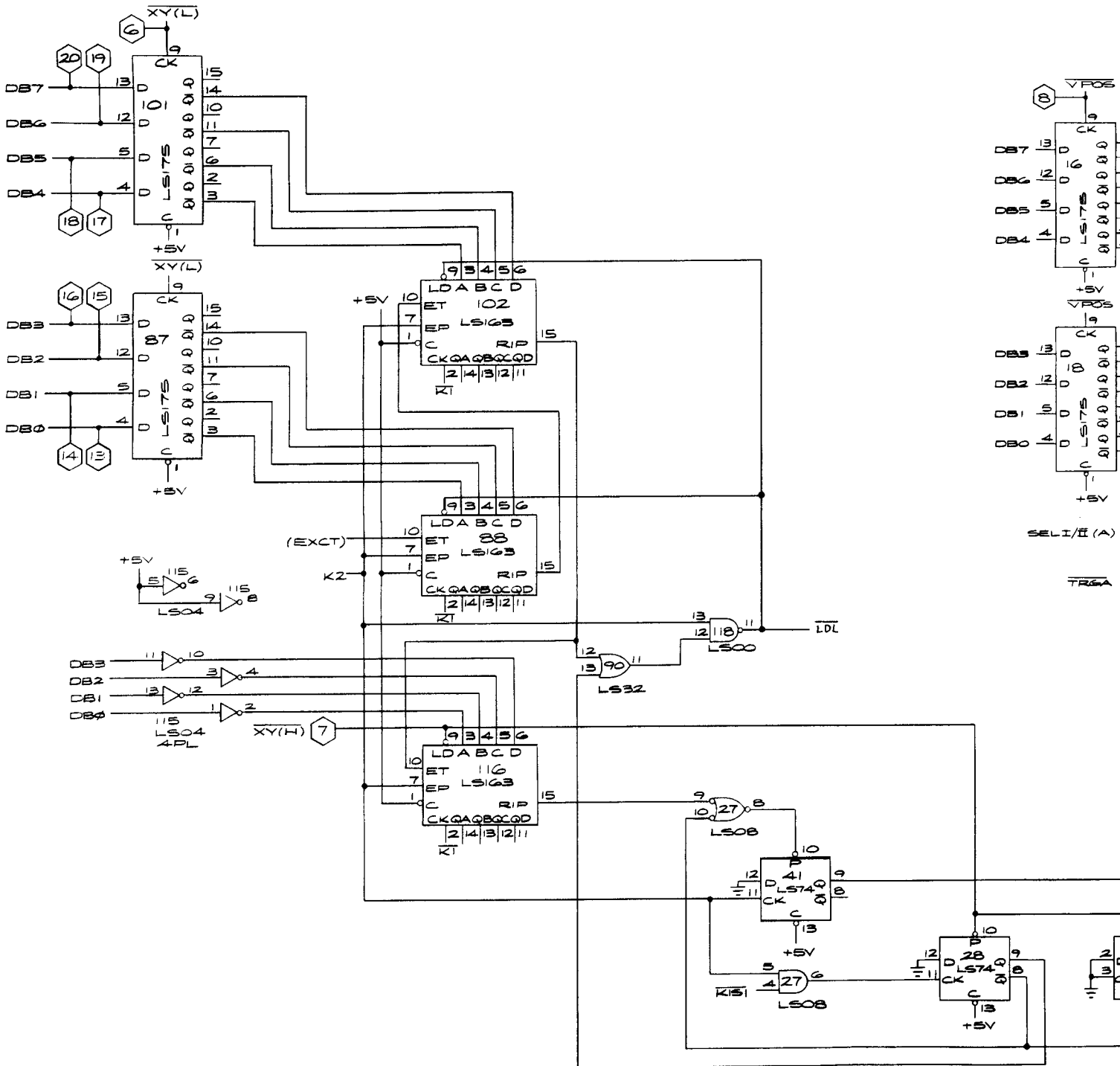
Kangaroo Video PCB Schematic Diagram

© ATARI INC., 1982

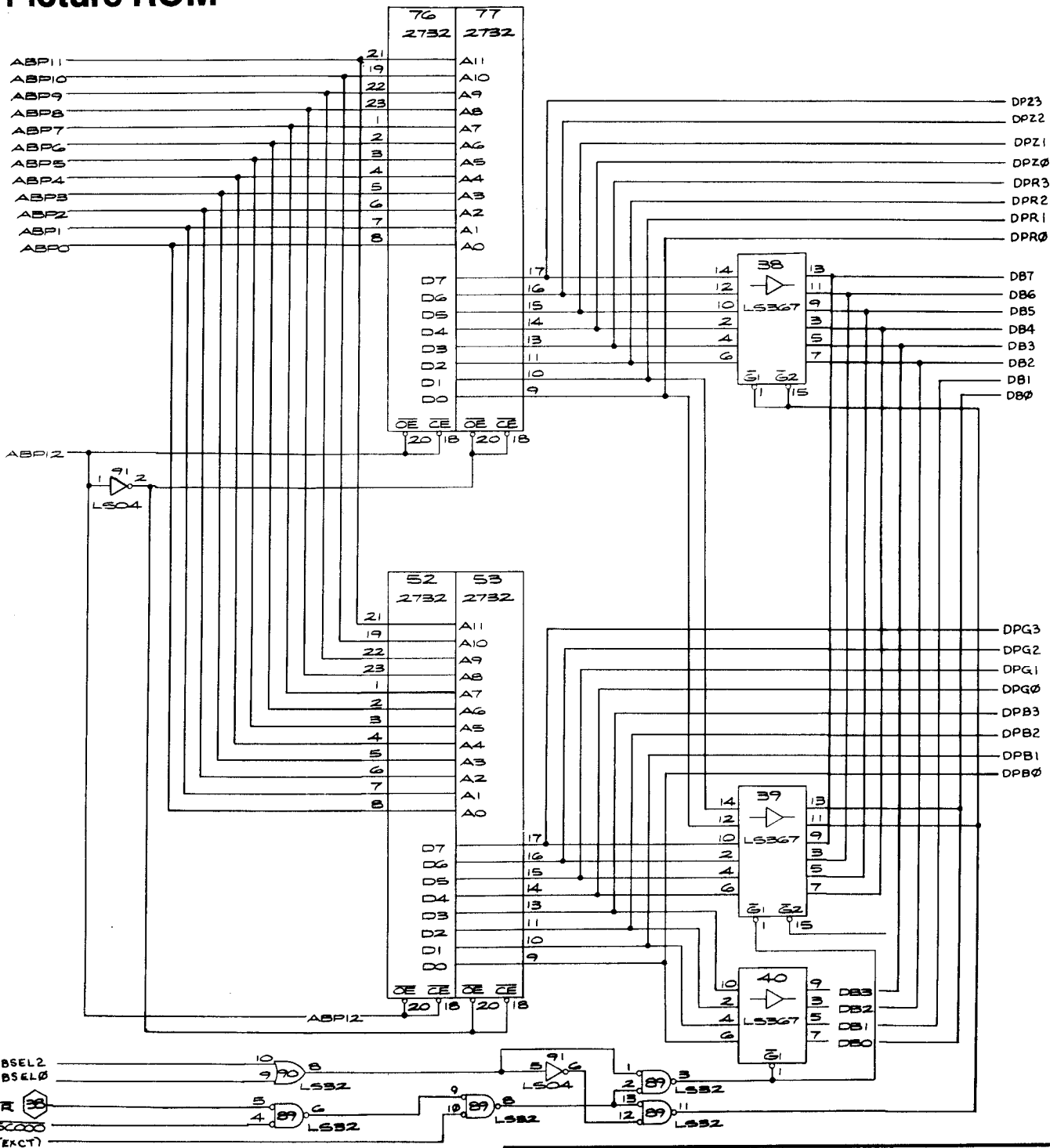
A Warner Communications Company

SP-204 Sheet 9A
3rd printing

DMA Control



Picture ROM



NOTICE TO ALL PERSONS RECEIVING THIS DRAWING
 CONFIDENTIAL: Reproduction forbidden without the specific written permission of Atari, Inc., Sunnyvale, CA. This drawing is only conditionally issued, and neither receipt nor possession thereof confers or transfers any right in, or license to use, the subject matter of the drawing or any design or technical information shown thereon, nor any right to reproduce this drawing or any part thereof. Except for manufacture by vendors of Atari, Inc., and for manufacture under the corporation's written license, no right is granted to reproduce this drawing or the subject matter thereof, unless by written agreement with or written permission from the corporation.

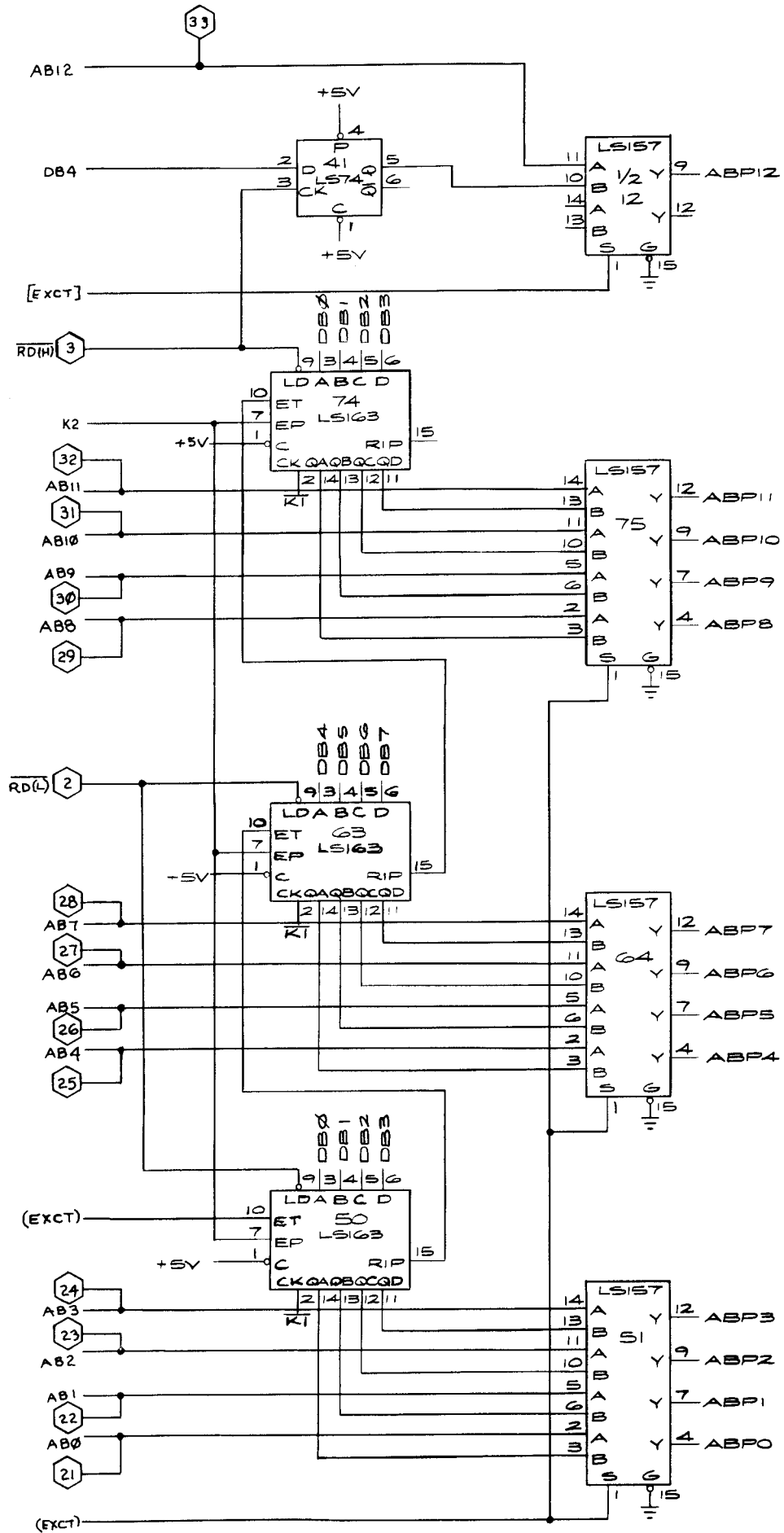
Kangaroo Video PCB Schematic Diagram

© ATARI INC., 1982

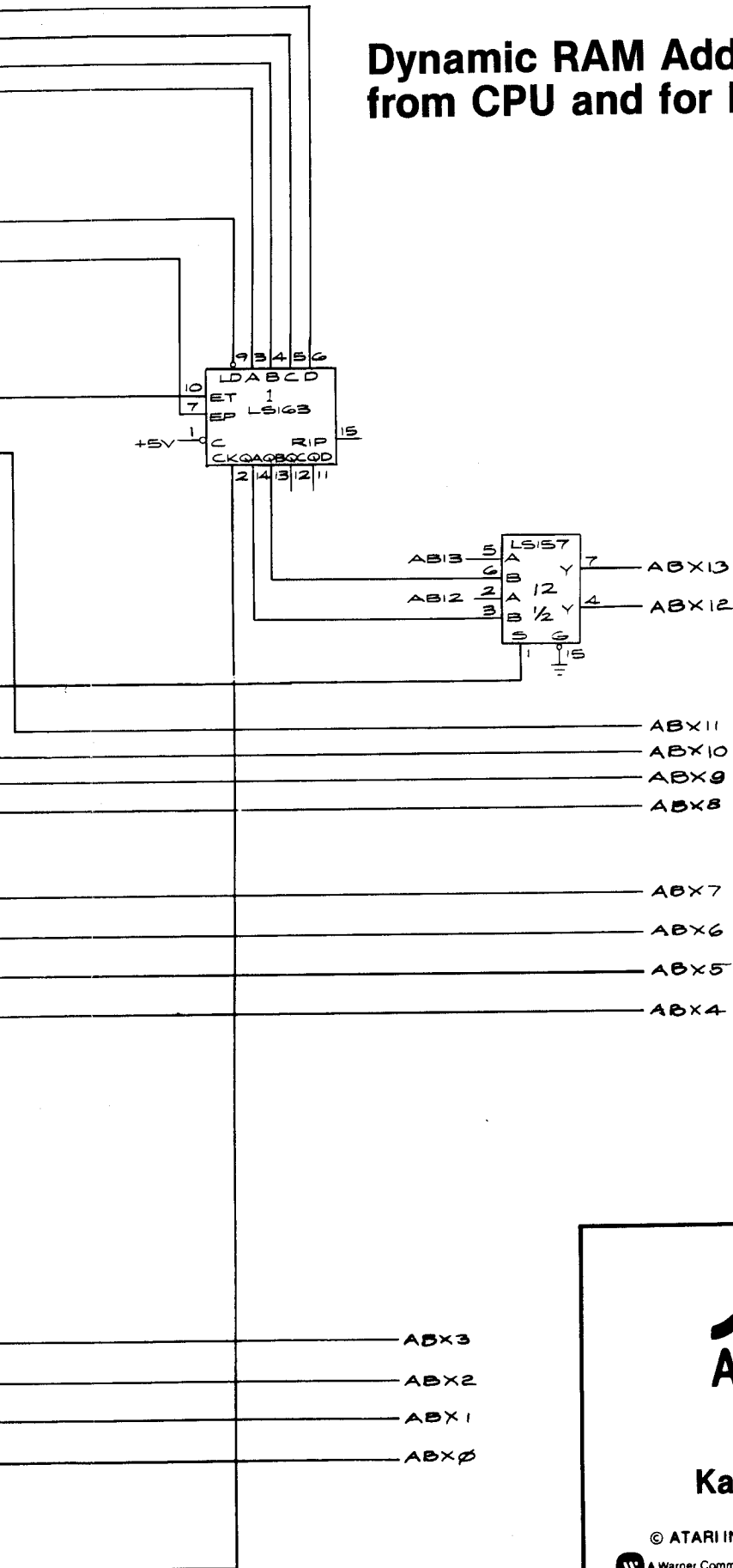
A Warner Communications Company

SP-204 Sheet 9B
 3rd printing

Picture ROM Address Selector



Dynamic RAM Address from CPU and for DMA



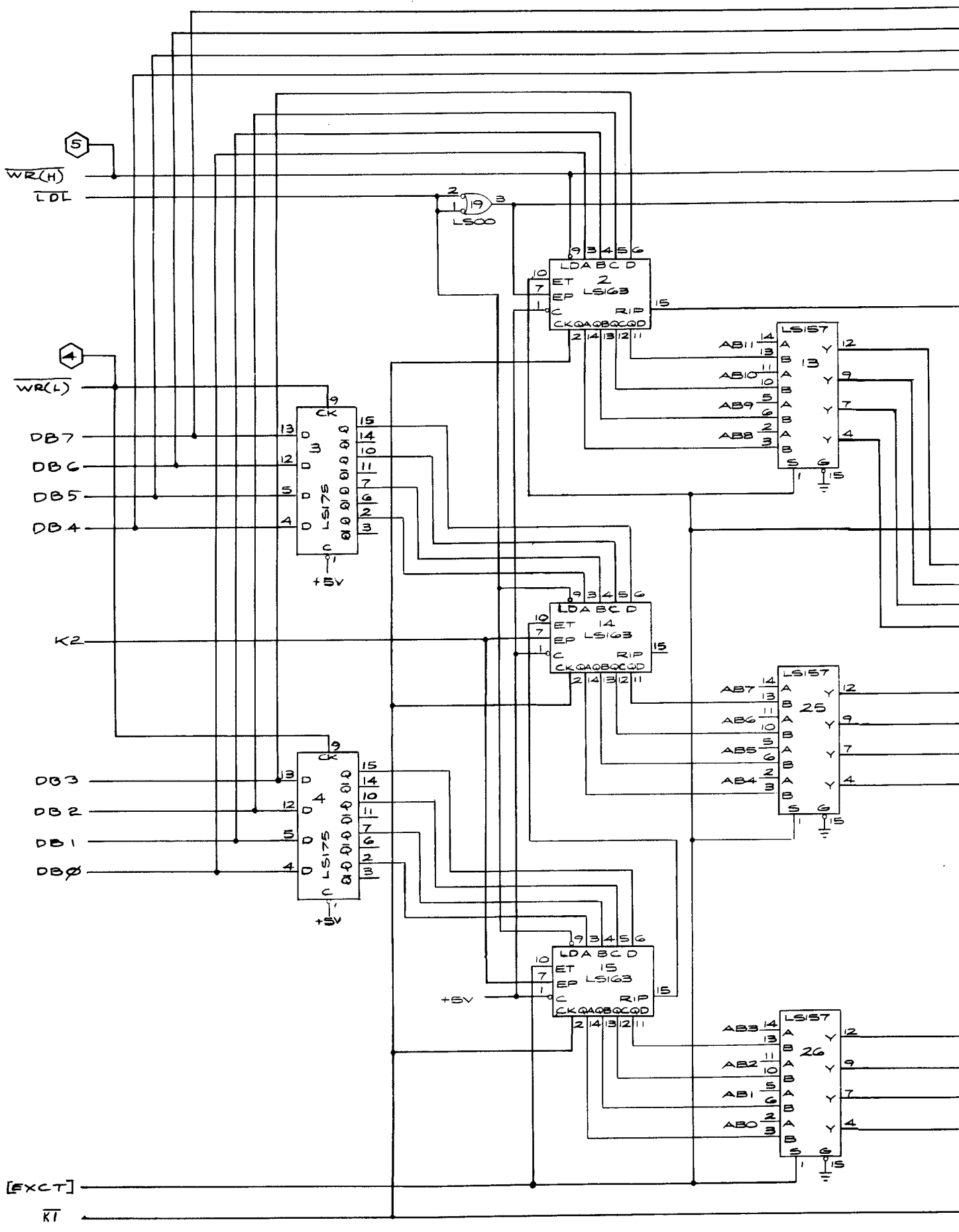
NOTICE TO ALL PERSONS RECEIVING THIS DRAWING
 CONFIDENTIAL: Reproduction forbidden without the specific written permission of Atari, Inc., Sunnyvale, CA. This drawing is only conditionally issued, and neither receipt nor possession thereof confers or transfers any right in, or license to use, the subject matter of the drawing or any design or technical information shown thereon, nor any right to reproduce this drawing or any part thereof. Except for manufacture by vendors of Atari, Inc., and for manufacture under the corporation's written license, no right is granted to reproduce this drawing or the subject matter thereof, unless by written agreement with or written permission from the corporation.

Kangaroo Video PCB Schematic Diagram

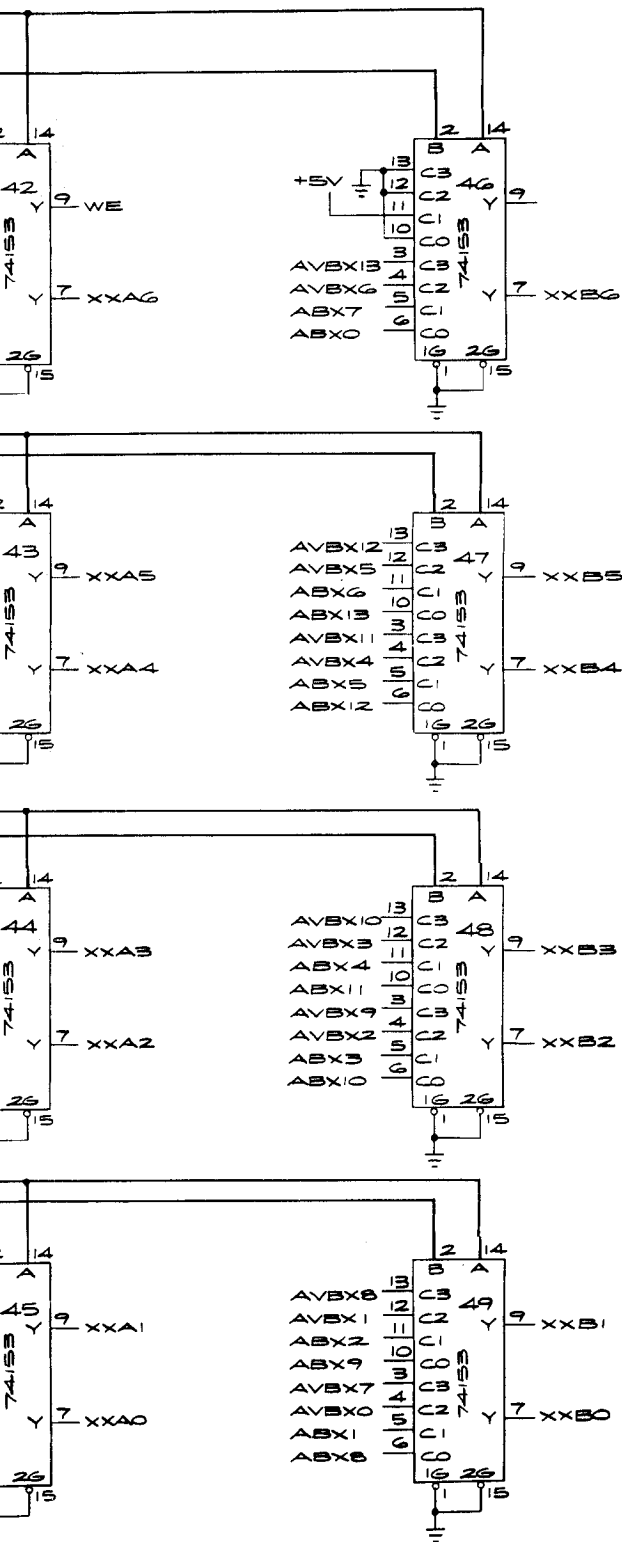
© ATARI INC., 1982

A Warner Communications Company

SP-204 Sheet 10A
 3rd printing



Address Selector



NOTICE TO ALL PERSONS RECEIVING THIS DRAWING
 CONFIDENTIAL: Reproduction forbidden without the specific written permission of Atari, Inc., Sunnyvale, CA. This drawing is only conditionally issued, and neither receipt nor possession thereof confers or transfers any right in, or license to use, the subject matter of the drawing or any design or technical information shown thereon, nor any right to reproduce this drawing or any part thereof. Except for manufacture by vendors of Atari, Inc., and for manufacture under the corporation's written license, no right is granted to reproduce this drawing or the subject matter thereof, unless by written agreement with or written permission from the corporation.

Kangaroo Video PCB Schematic Diagram

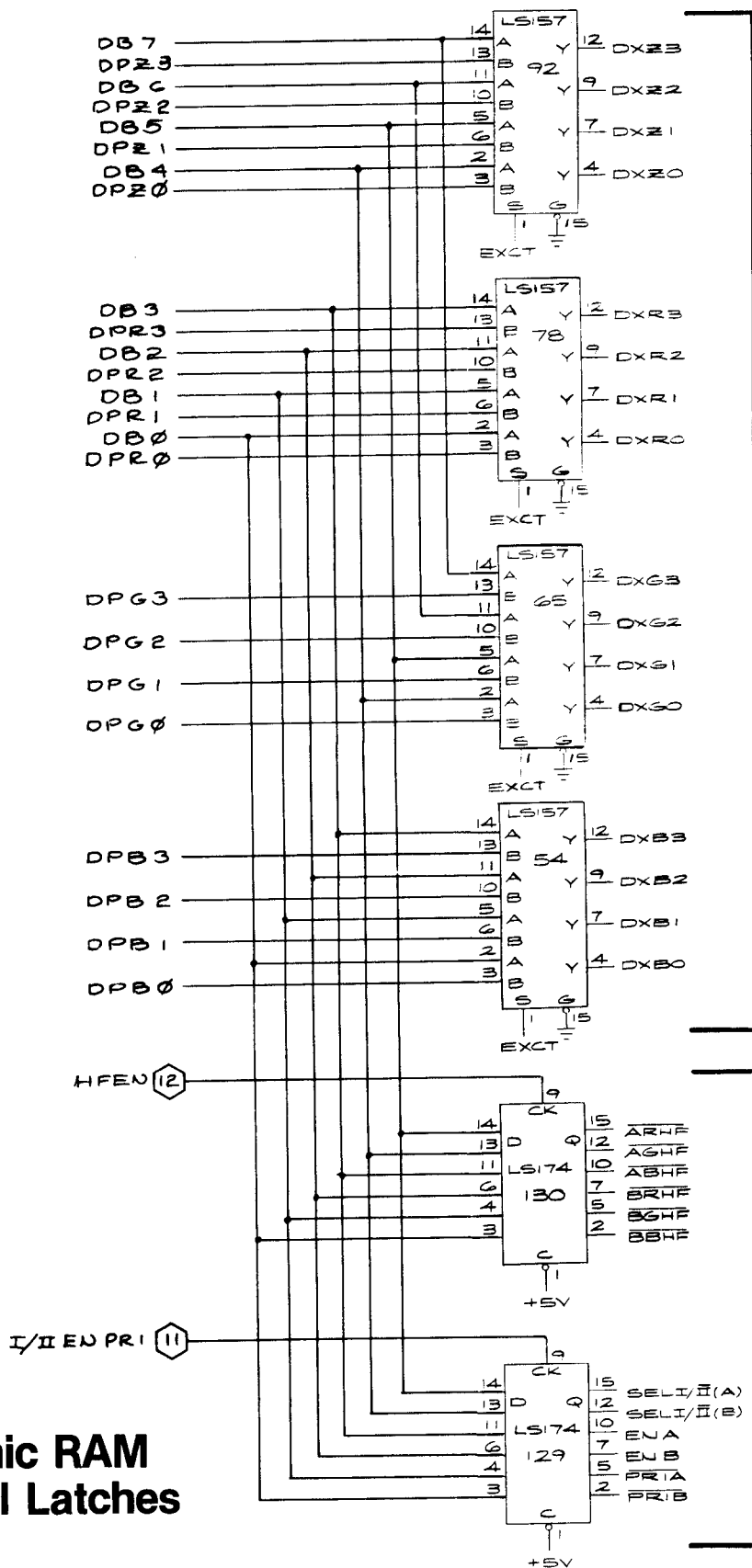
© ATARI INC., 1982

A Warner Communications Company

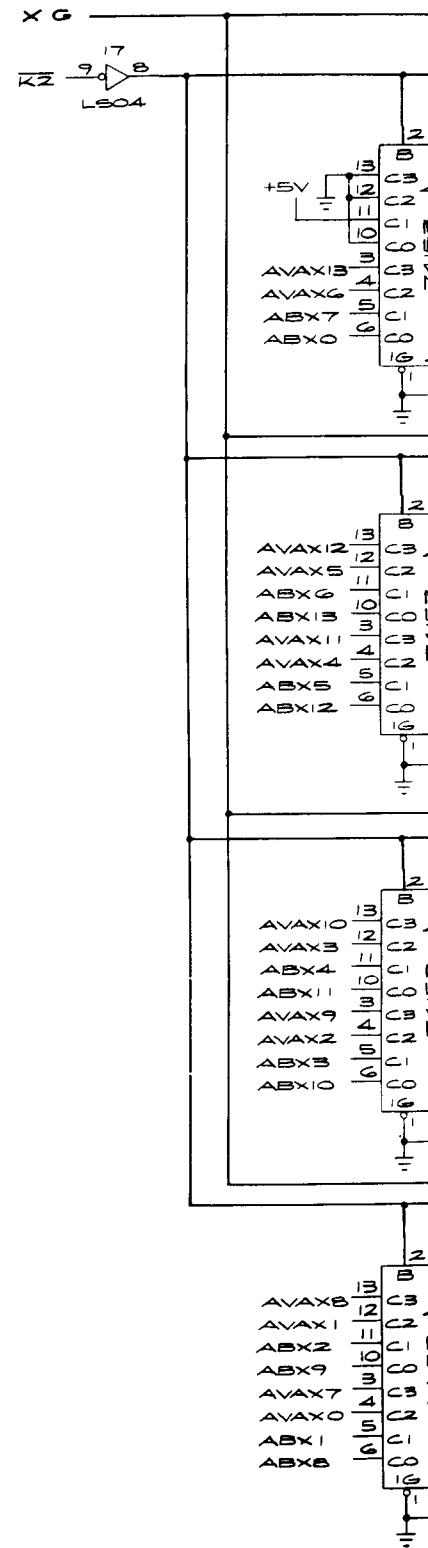
SP-204 Sheet 10B
 3rd printing

Dynamic RAM Data Selector

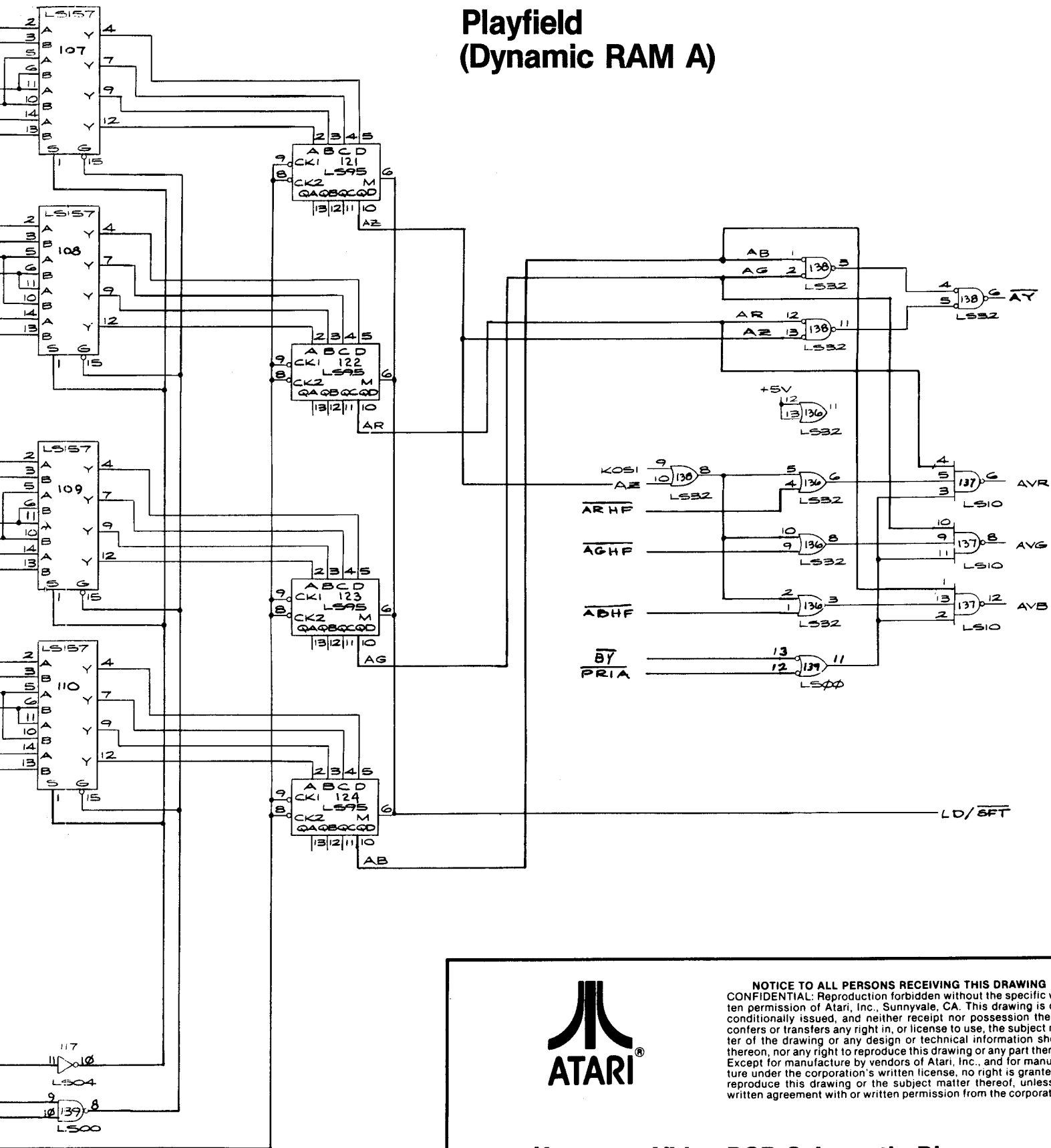
Dynamic RAM



Dynamic RAM Control Latches



Playfield (Dynamic RAM A)



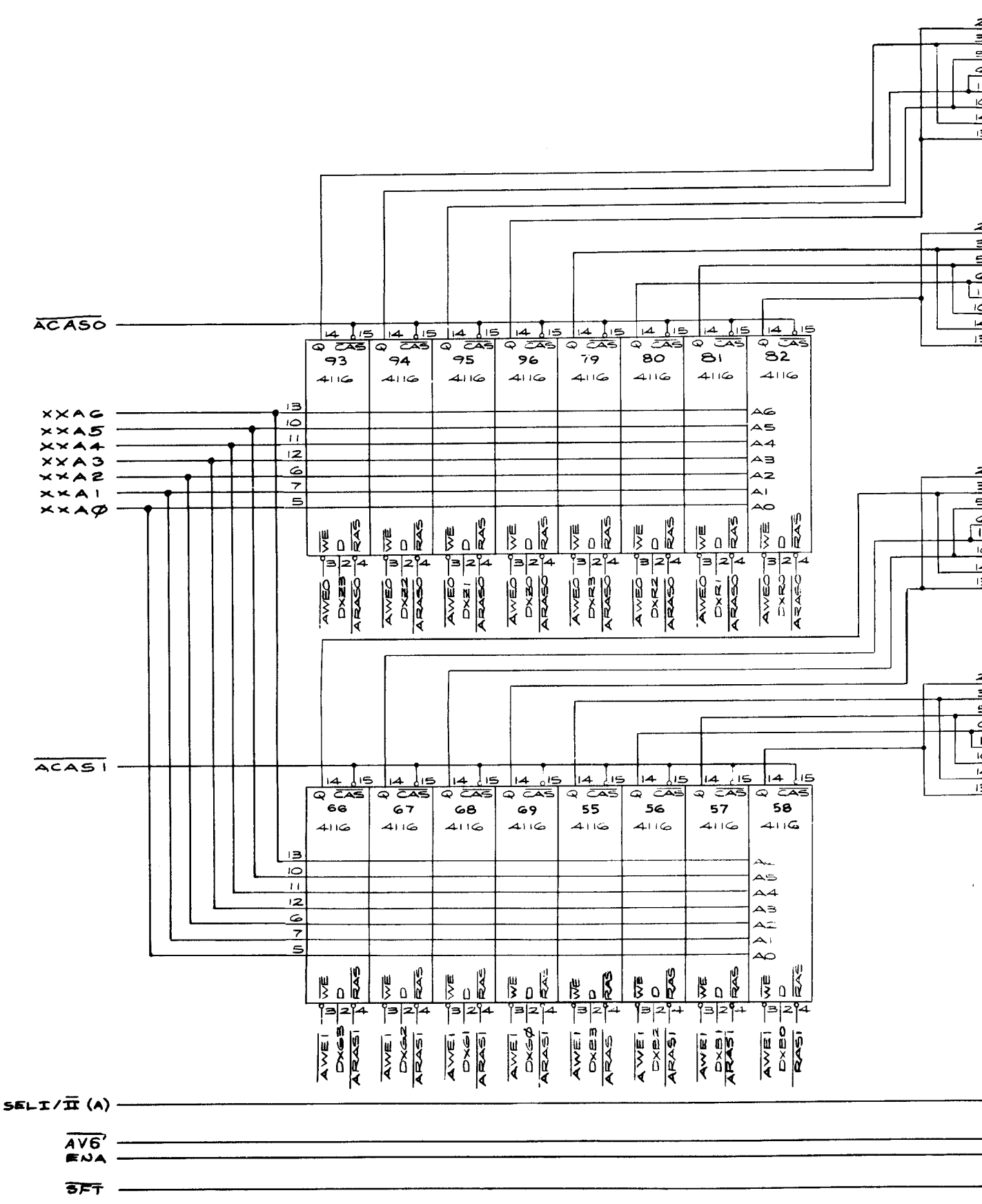
NOTICE TO ALL PERSONS RECEIVING THIS DRAWING
 CONFIDENTIAL: Reproduction forbidden without the specific written permission of Atari, Inc., Sunnyvale, CA. This drawing is only conditionally issued, and neither receipt nor possession thereof confers or transfers any right in, or license to use, the subject matter of the drawing or any design or technical information shown thereon, nor any right to reproduce this drawing or any part thereof. Except for manufacture by vendors of Atari, Inc., and for manufacture under the corporation's written license, no right is granted to reproduce this drawing or the subject matter thereof, unless by written agreement with or written permission from the corporation.

Kangaroo Video PCB Schematic Diagram

© ATARI INC., 1982

A Warner Communications Company

SP-204 Sheet 11A
3rd printing



ACAS0

XX
XXX
XXXX
XXXXX
XXXXX
XXXXX
XXXXX

ACAS1

SEL I/II (A)

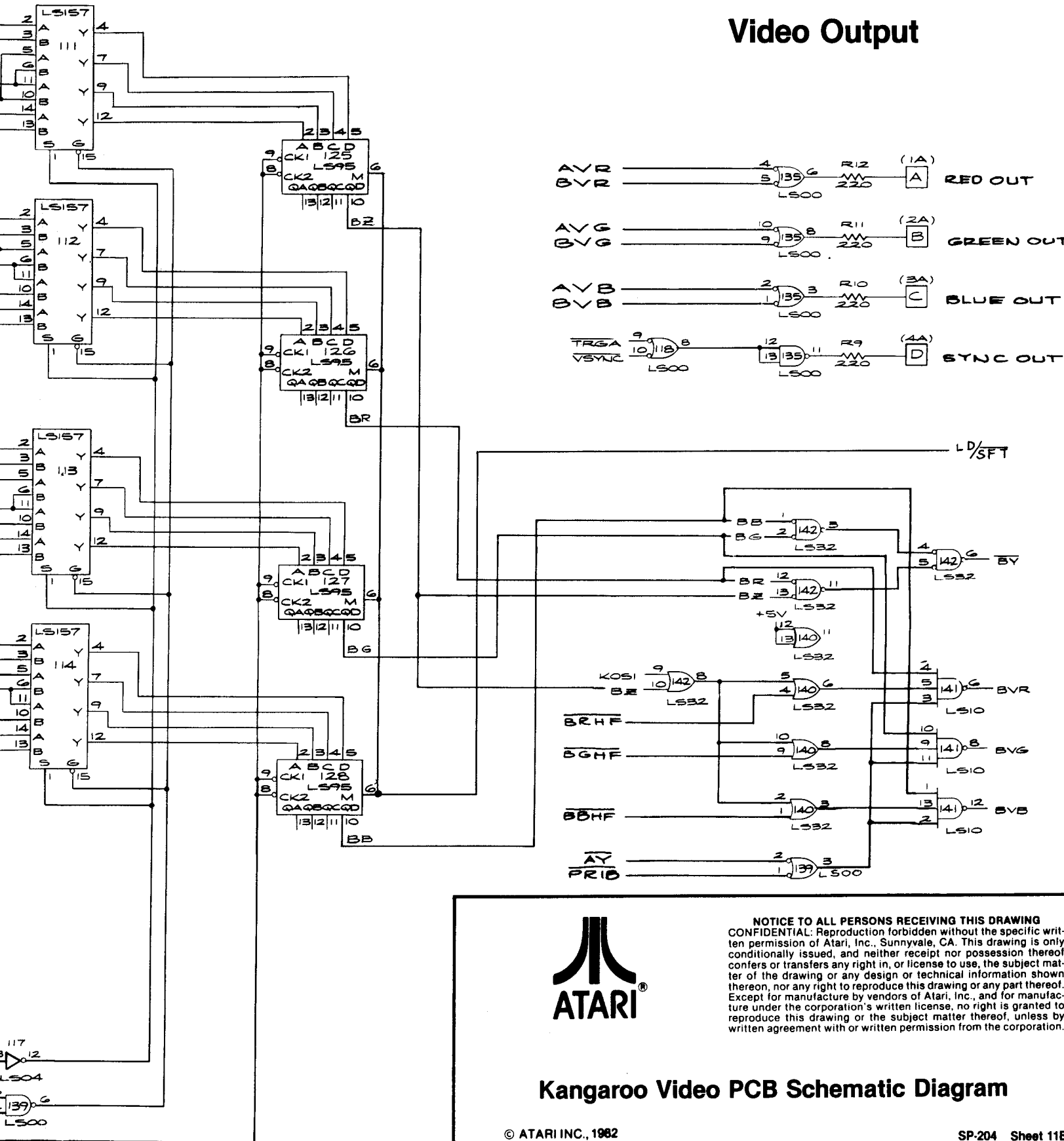
AV6
ENA

SFT

Q	WE	CAS	DXB	ARAS
93	U	U	U	U
94	U	U	U	U
95	U	U	U	U
96	U	U	U	U
79	U	U	U	U
80	U	U	U	U
81	U	U	U	U
82	U	U	U	U

Q	WE	CAS	DXB	ARAS
66	U	U	U	U
67	U	U	U	U
68	U	U	U	U
69	U	U	U	U
55	U	U	U	U
56	U	U	U	U
57	U	U	U	U
58	U	U	U	U

Video Output



NOTICE TO ALL PERSONS RECEIVING THIS DRAWING
 CONFIDENTIAL: Reproduction forbidden without the specific written permission of Atari, Inc., Sunnyvale, CA. This drawing is only conditionally issued, and neither receipt nor possession thereof confers or transfers any right in, or license to use, the subject matter of the drawing or any design or technical information shown thereon, nor any right to reproduce this drawing or any part thereof. Except for manufacture by vendors of Atari, Inc., and for manufacture under the corporation's written license, no right is granted to reproduce this drawing or the subject matter thereof, unless by written agreement with or written permission from the corporation.



Kangaroo Video PCB Schematic Diagram

© ATARI INC., 1982

 A Warner Communications Company

SP-204 Sheet 11B
 3rd printing

Motion Object (Dynamic RAM B)

