

# KART DUEL

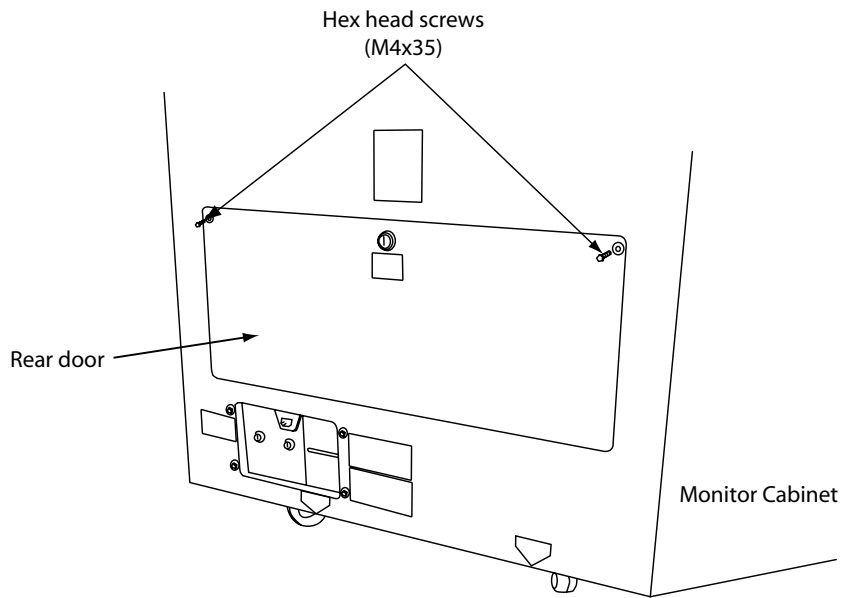
## REPLACEMENT OF THE TRANSFORMER

### ITEMS SUPPLIED

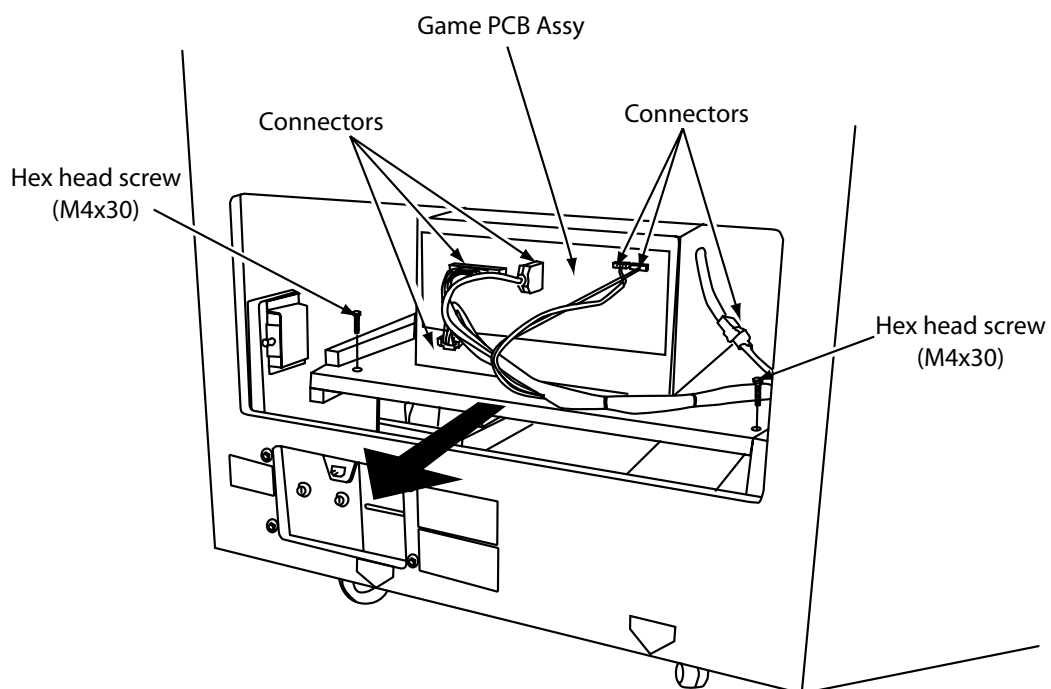
<u>Item</u>	<u>Part No</u>	<u>Quantity</u>
Transformer	67700044	1
Transformer Bracket	47000410	2
Hex head screw (M6x20)	26300778	2
Flat Washer (M6)	28000171	4
Spring Washer (M6)	28000028	4
Durlock Nut (M6)	27000173	4
Flat washer (M6)	28000171	2
Wood screw (No10x $\frac{3}{4}$ )	26100396	2
Pozi head Screw (M5x16)	26300580	1
Spring Washer (M5)	28000151	1
Whizztite Nut (M5)	27000151	1

**Ensure that the game is operating correctly. Rectify any problems before starting this modification.**

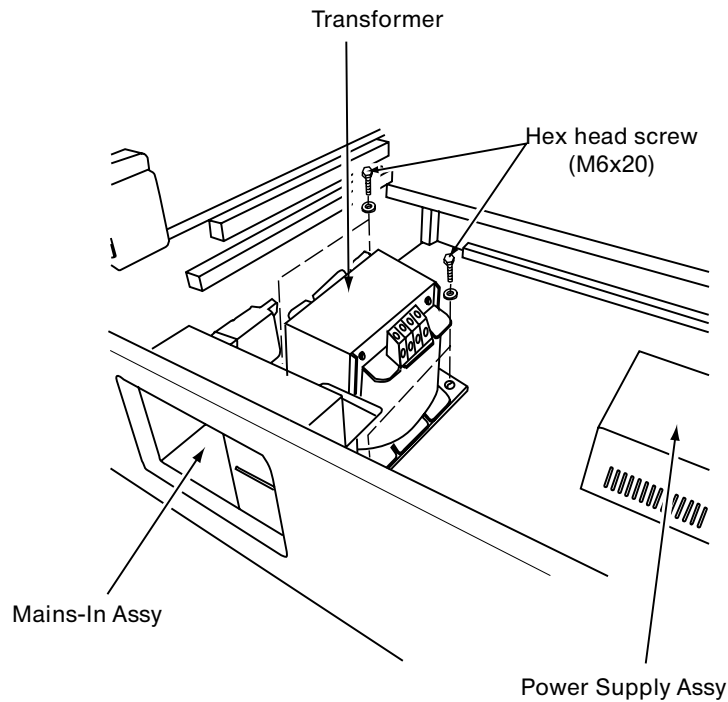
1. Remove 2 off hex head screws (M4x35) and remove the Monitor Cabinet Rear Door.



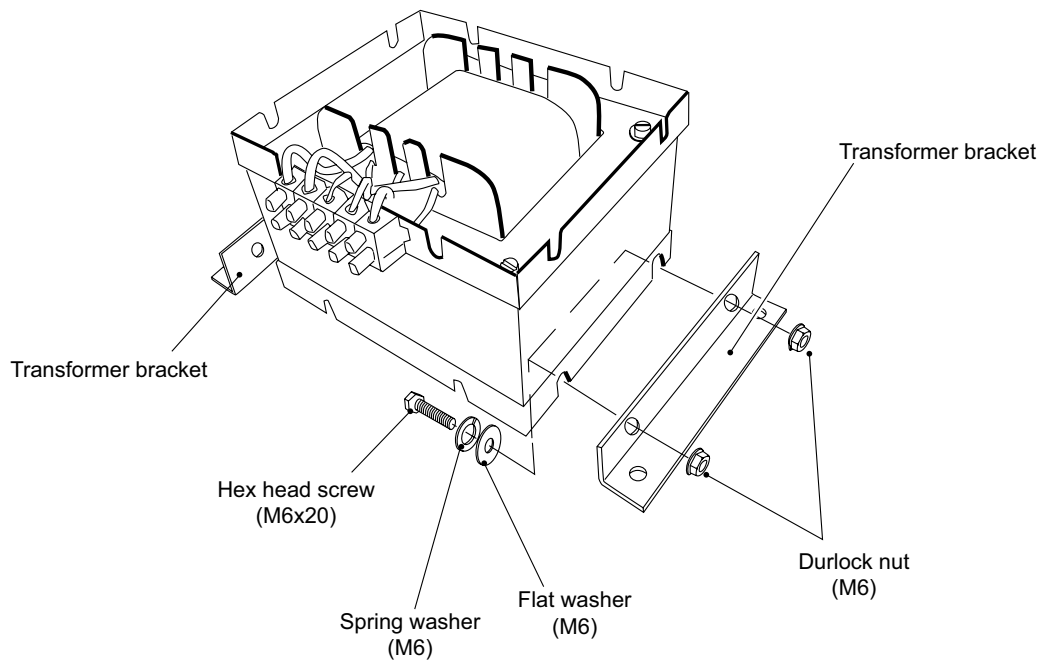
2. Disconnect the connectors on the Game PCB, including the Fan connector.
3. Remove 2 off hex head screw (M4x30) and remove the Game PCB tray by withdrawing it from the rear of the cabinet.



4. Disconnect the wires from the Transformer, including the Earth connection, making a note of where each wire is removed from.
5. Remove 4 off hex head screws (M6x20), with flat and spring washers, and remove the Transformer.

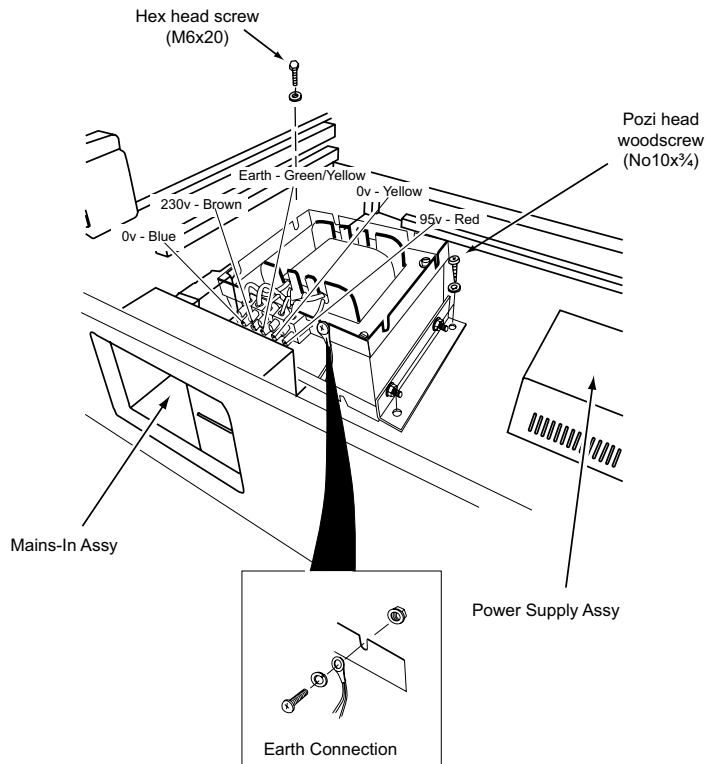


6. Fit the Mounting Brackets(supplied) to the Transformer with 4 off hex head screws (M6x20), flat and spring washers and Durlock nuts (M6) (supplied), as shown below.



7. Refit the new Transformer using 2 off hex head screws (M6x20), with flat and spring washers, and 2 off wood screws (No10x¾).  
It is important that the Transformer is fitted as shown below other wise interference on the monitor may occur.

*Note: Only 2 of the mounting screws will align with the fixings in the cabinet. See diagram below for correct position.*



8. Reconnect the wires to the transformer, including the Earth connection, ensuring the correct connections.
9. Refit the Game PCB Tray.
10. Reconnect the Game PCB connectors (including the Fan connector).
11. Refit the Monitor Cabinet Rear Door.

For all Parts or Technical Support contact:

Brent Spares,  
Namco House,  
Units 5-8, Acton Park Estate,  
The Vale,  
London. W3 7QE

[www.namco.co.uk](http://www.namco.co.uk)

For Technical Support, Warranty and  
Advance Replacement Parts:- +44 (0) 20 8324 6120

For Consumable Parts:- +44 (0) 20 8324 6102

Fax for both:- +44 (0) 20 8324 6126