

NOTES:

1. A - # GA. GOOD WIRE
2. B - # GA. WIRE
3. S - # Y. GND. GOES TO ON-OFF SW. MONITOR, COIN DOOR, SPEAKER CONTROL.

MIDWAY MFG. CO.
10601 N. BELMONT AVE.
FRANKLIN PARK, ILL. 60031

REVISION	DATE	NAME
Checked with Rev. #42	4/2/82	JR. Campbell
FINISHED	5/27/82	

LAZARIAN U.R.
WIRING SCHEMATIC # MOD-00604-A003

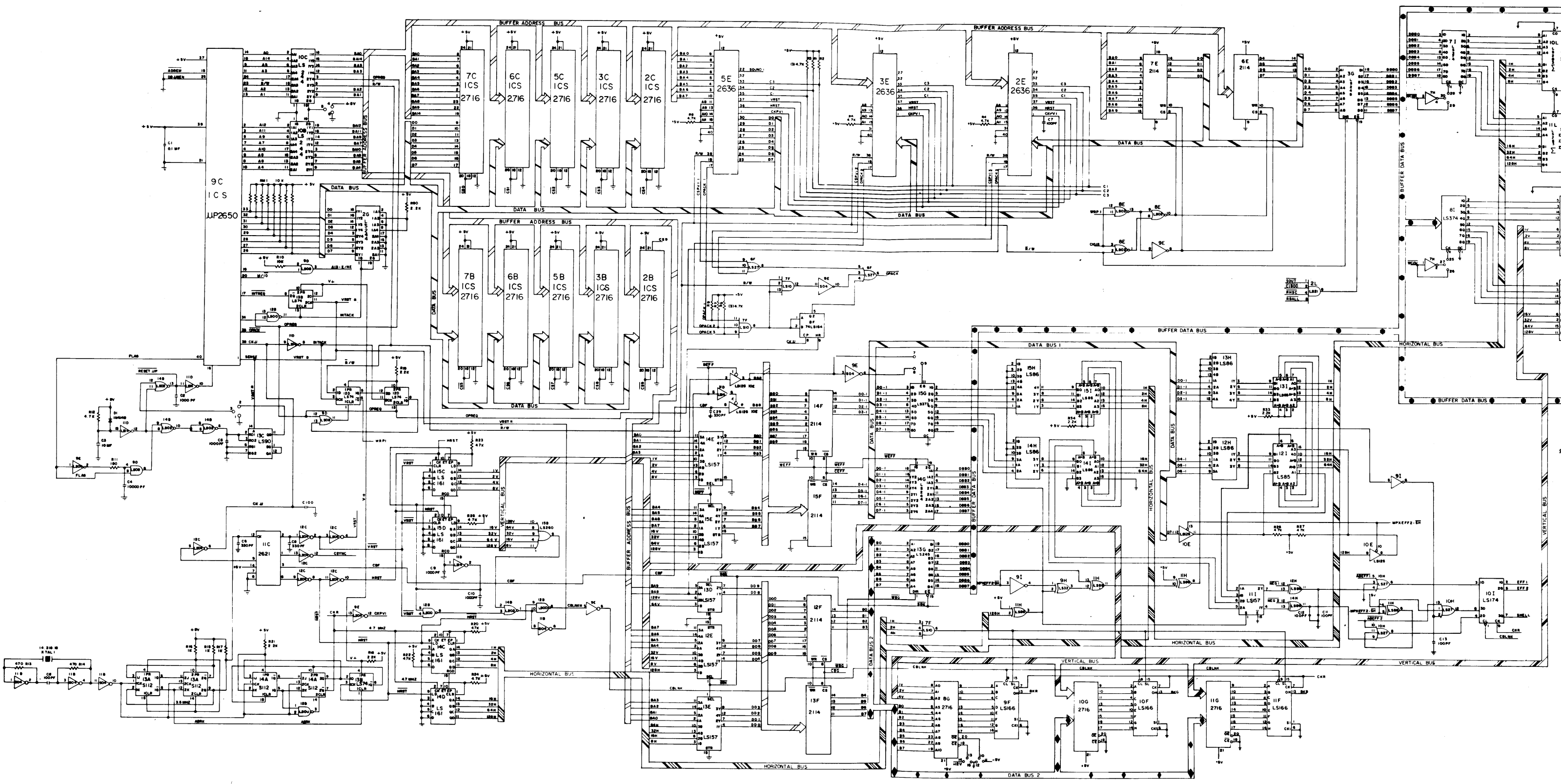
CPU + GAME LOGIC BD.
AOM-9419-8636

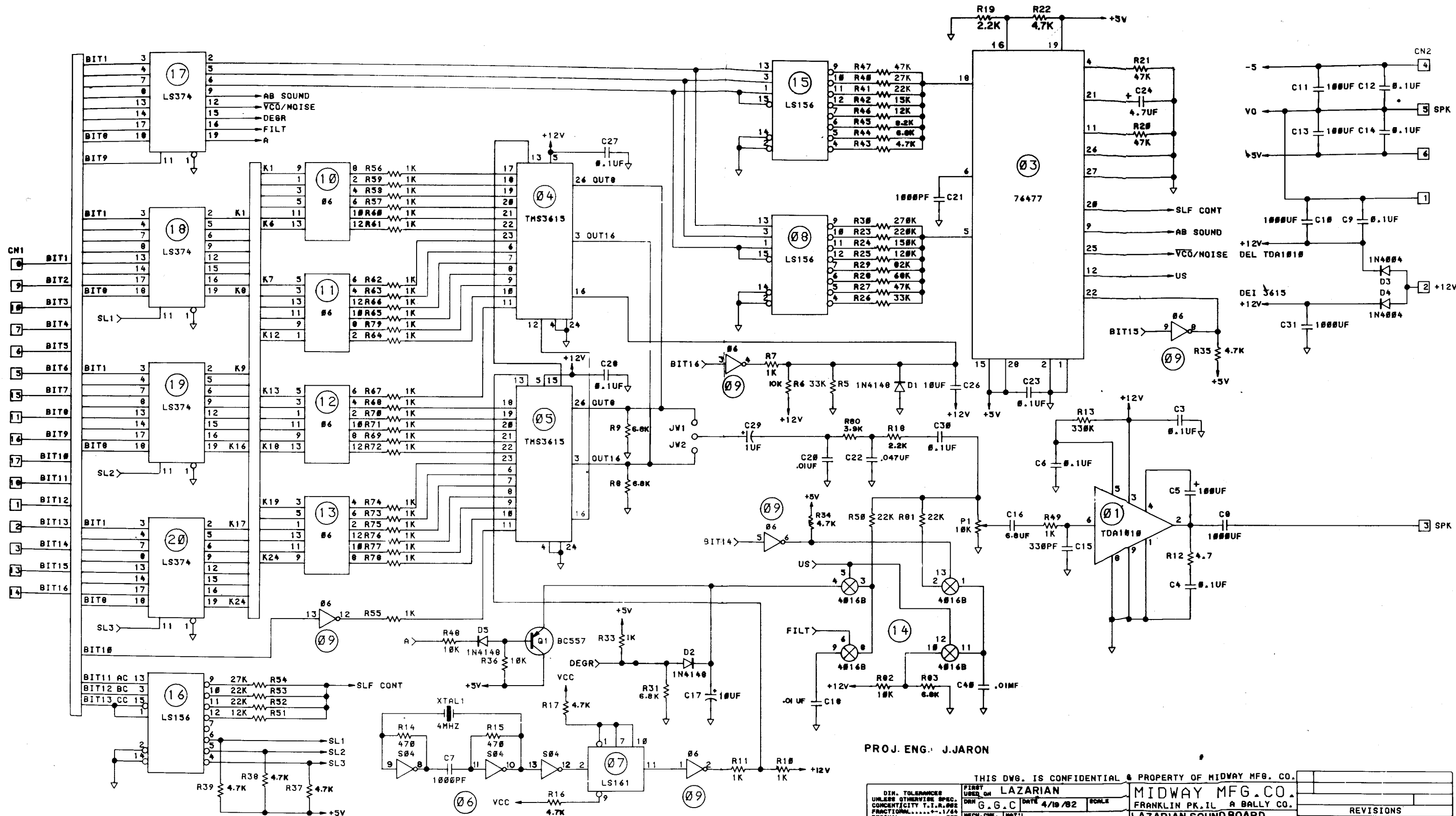
POWER SUPPLY BD.
AOM-9421-8636

DIODE BD.
AOM-9422-8636

MONITOR INTERFACE BD.
AOM-9422-8636

SOUND BD.
AOM-9423-8636





PROJ. ENG. J.JARON

THIS DWG. IS CONFIDENTIAL & PROPERTY OF MIDWAY MFG. CO.

DIN. TOLERANCES UNLESS OTHERWISE SPEC. CONCENTRICITY T.I.R. .002 FRACTIONAL 1/64 DECIMAL005 HOLE DIA.002-.005 ANGLE 1/2"	FIRST USED ON LAZARIAN DRN G.G.C DATE 4/10/82 SCALE MECH. CHK. NAT'L ELEC. CHK. FINISH	MIDWAY MFG. CO. FRANKLIN PK. IL A BALLY CO. LAZARIAN SOUNDBOARD SCHEMATIC A084-90911-E636	REVISIONS PART NO. M051-00636-E008
--	---	--	---